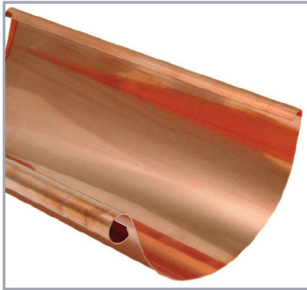
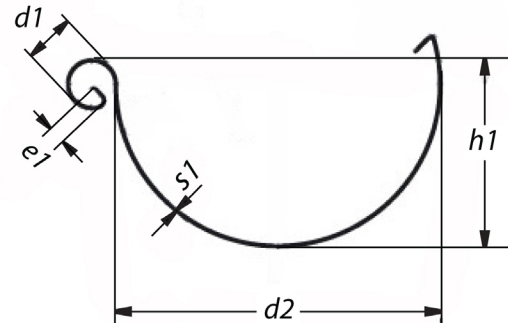




LAZER - HALF ROUND ARCHITECTURAL COPPER GUTTER PROFILE



Gutter-cross-section



size	ounce wt.	e1	d1	d2	s1	h1	coil width
4"	18oz.	0.28"	0.71"	4.13"	0.24"	2.812"	9.75"
5"	16oz.	0.28"	0.71"	5.0"	0.21"	3.125"	11.01"
5"	18oz.	0.28"	0.71"	5.0"	0.24"	3.125"	11.01"
5"	20oz.	0.28"	0.71"	5.0"	0.27"	3.125"	11.01"
6"	16oz.	0.35"	0.79"	6.02"	0.21"	3.687"	13.11"
6"	18oz.	0.35"	0.79"	6.02"	0.24"	3.687"	13.11"
6"	20oz.	0.35"	0.79"	6.02"	0.27"	3.687"	13.11"
7.6"	18oz.	0.35"	0.79"	7.56"	0.24"	4.50"	15.75"
7.6"	20oz.	0.35"	0.79"	7.56"	0.27"	4.50"	15.75"

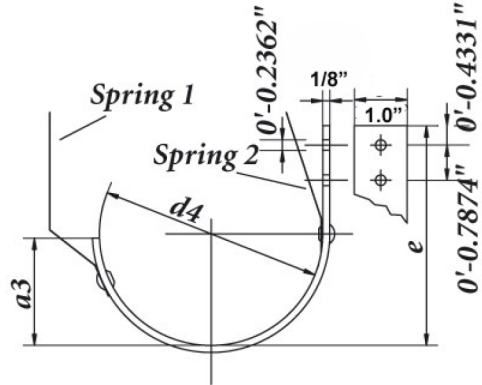
LAZER - HALF ROUND ARCHITECTURAL COPPER GUTTER PROFILE

SIZE	OZ. WT.	LENGTH	PART#	SIZE	OZ. WT.	LENGTH	PART#
4"	18oz.	18'	LAZED41818	6"	16oz.	20'	LAZED61620
4"	18oz.	10'	LAZED41810	6"	16oz.	10'	LAZED61610
5"	16oz.	20'	LAZED51620	6"	18oz.	18'	LAZED61818
5"	16oz.	10'	LAZED51610	6"	18oz.	10'	LAZED61810
5"	18oz.	18'	LAZED51818	6"	20oz.	18'	LAZED62018
5"	18oz.	10'	LAZED51810	6"	20oz.	10'	LAZED62010
5"	20oz.	18'	LAZED52018	7.6"	18oz.	18'	LAZED761818
5"	20oz.	10'	LAZED52010	7.6"	18oz.	10'	LAZED761810
				7.6"	20oz.	18'	LAZED762018
				7.6"	20oz.	10'	LAZED762010

Date	Invoice#	Project	Company	Architect



COPPER GUTTER HANGER FOR STRAIGHT FASCIA



SIZE	MATERIAL THICKNESS	MATERIAL WIDTH	d4	a3	e
4"	0.157"	.942"	4.13"	2.00"	3.562"
5"	0.157"	.942"	5.00"	2.25"	4.5625"
6"	0.157"	.942"	6.02"	2.75"	5.125"
7.6"	0.197"	1 1/8"	7.56"	3.4375"	5.937"

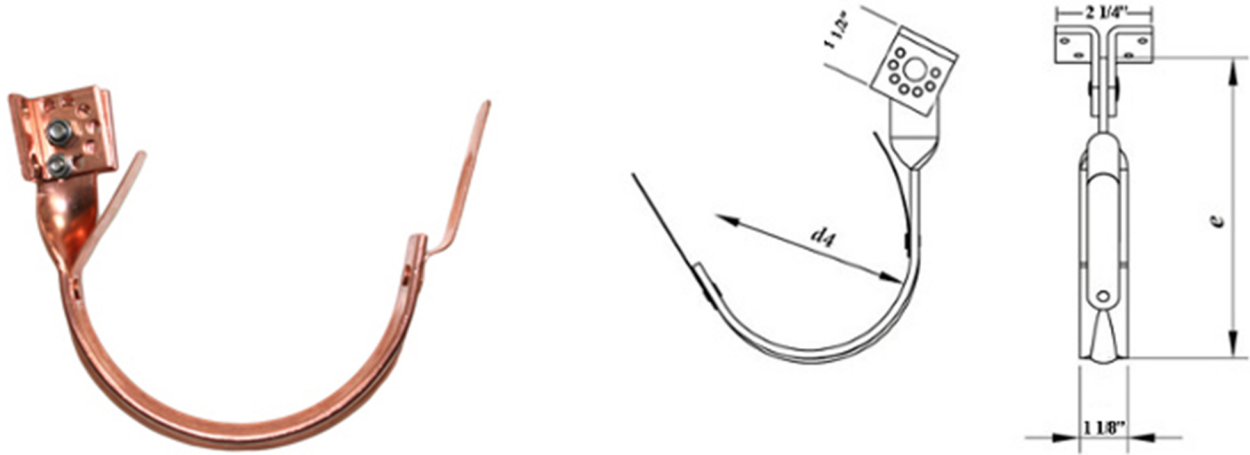
COPPER GUTTER HANGER FOR STRAIGH FASCIA

Size	Part #
4 INCH	LAZED4HF
5 INCH	LAZED5HF
6 INCH	LAZED6HF
7.6 INCH	LAZED7HF

Date	Invoice#	Project	Company	Architect



COPPER ADJUSTABLE FASCIA HANGER



SIZE	MATERIAL THICKNESS	MATERIAL WIDTH	d4	e
5"	1.125"	3/16"	5.00"	7.42"
6"	1.125"	3/16"	6.03"	7.83"
7.6"	1.125"	3/16"	7.6"	8.50"

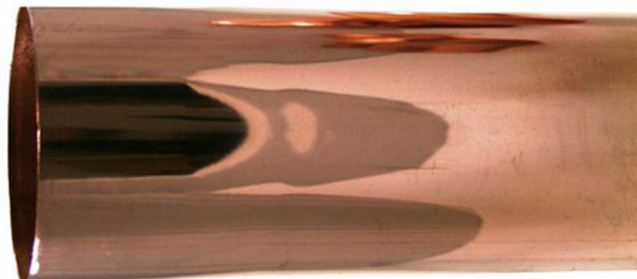
COPPER GUTTER HANGER FOR STRAIGH FASCIA

Size	Part #
5"	LAZED5HFA
6"	LAZED6HFA
7.6	LAZED76HFA

Date	Invoice#	Project	Company	Architect



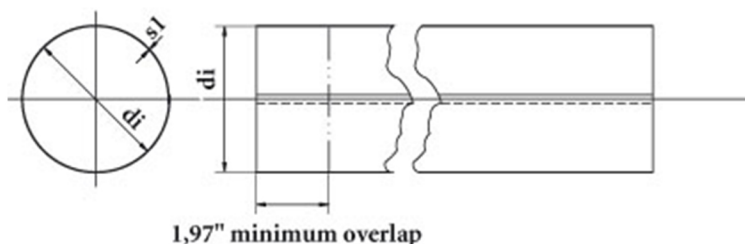
## LAZER ARCHITECTURAL SEAMLESS DOWNSPOUT



LAZER ARCHITECTURAL GUTTER SYSTEM SEAMLESS DOWNSPOUTS ARE MADE FROM HEAVY GAUGE COPPER (16oz., 18oz., AND 20oz.,)

AVAILABLE IN 2", 3", 4", AND 4.7" EACH PIECE IS 9.84 FT

NOTE: 6" ROUND DOWNSPOUT HAS A FOLDED SEAM.



OUR ROUND DOWNSPOUT HAS A SEAMLESS AND FLARED ON ONE END FOR A PERFECT FIT. IT HAS AN INVISIBLE AND VERY STRONG WELD WHERE THE EDGES ARE BUTTED UP AGAINST ONE ANOTHER AND ARE THEN PRECISELY WELDED.

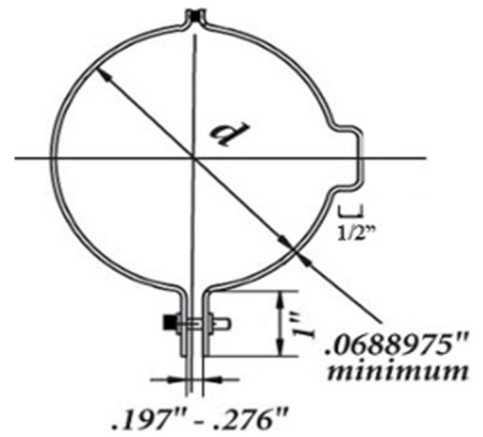
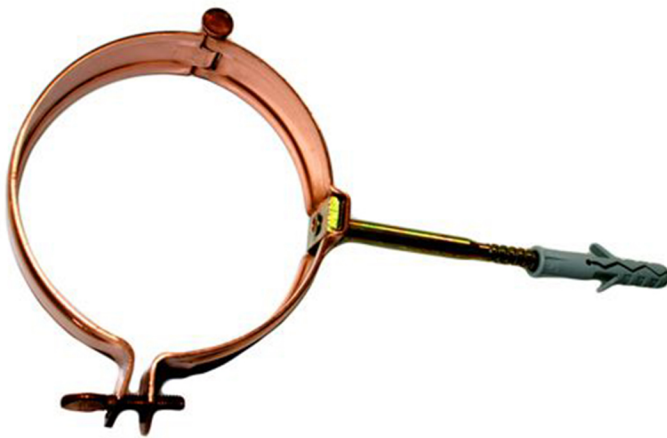
SIZE	OZ. WT	PART#	di
2"	16oz.	LAZED2DS16	2.25"
2"	18oz.	LAZED2DS18	2.25"
3"	16oz.	LAZED3DS16	3"
3"	18oz.	LAZED3DS18	3"
3"	20oz.	LAZED3DS20	3"
4"	16oz.	LAZED4DS16	4"
4"	18oz.	LAZED4DS18	4"
4"	20oz.	LAZED4DS20	4"
5"	18oz.	LAZED5DS18	4.7"
5"	20oz.	LAZED5DS20	4.7"
6"	18oz.	LAZED6DS18	6.0"

Date	Invoice#	Project	Company	Architect





LAZER ARCHITECTURAL COPPER DOWNSPOUT BRACKETS



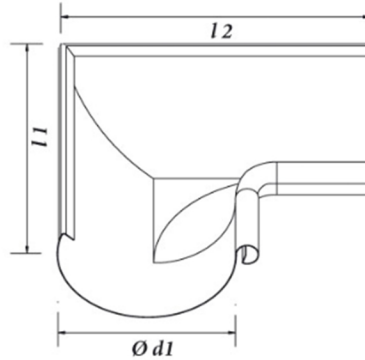
SIZE	PART #
2.2"	LAZED2DSB
3.0"	LAZED3DSB
4.0"	LAZED4DSB
4.7"	LAZED5DSB
6.0"	LAZED6DSB

Date	Invoice#	Project	Company	Architect



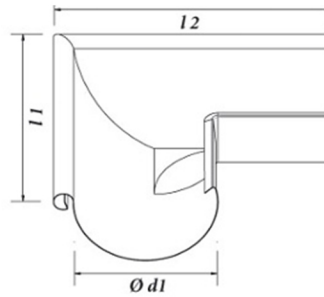
**Mfg.**

LAZER SEAMLESS MITERS  
INSIDE / OUTSIDE



INSIDE

size	d1	I1	I2
4"	4.13"	10.63"	10.63"
5"	5.0"	11.80"	11.80"
6"	6.0"	11.80"	11.80"
7.6"	7.56"	12.60"	12.60"



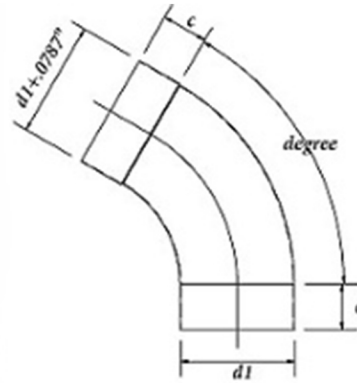
OUTSIDE

size	d1	I1	I2
4"	4.13"	11.8"	11.8"
5"	5.0"	11.8"	11.8"
6"	6.0"	11.8"	11.8"
7.6"	7.56"	12.60"	12.60"

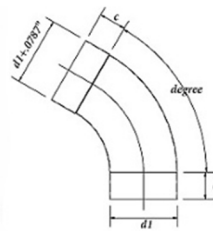
Date	Invoice#	Project	Company	Architect



## LAZER - COPPER ROUND ELBOWS



SIMILAR TO OUR ARCHITECTURAL GUTTER SYSTEM DOWNSPOUTS, OUR ROUND 72 DEGREE ELBOWS ARE SEAMLESS AND THEY ALSO DONT HAVE CRIMPS (LIKE OTHER ROUND ELBOWS) WHICH PROVIDES A CLEAN, POLISHED TRANSITION BETWEEN THE ELBOWS AND DOWNSPOUT. AVAILABLE IN 2", 3", 4", AND 4.7" AND 6" ALSO AVAILABLE IN 40 DEGREE, 60 DEGREE AND 85 DEGREE.

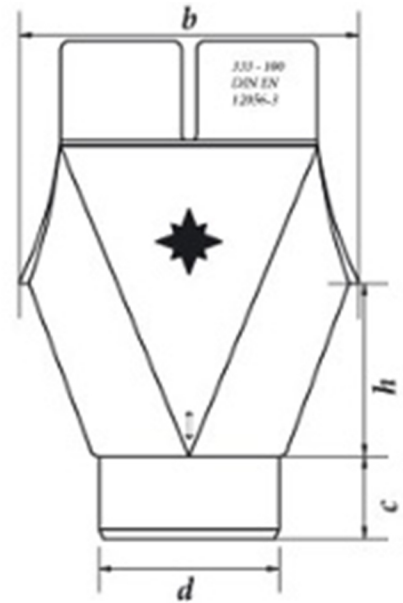
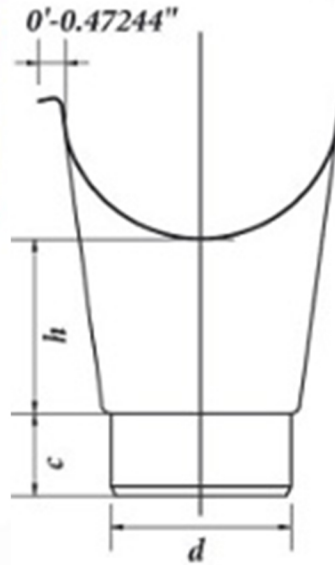


size (d1)	c
2.25"	1.18"
3"	1.77"
4"	1.77"
5"	1.77"

Date	Invoice#	Project	Company	Architect



LAZER - ARCHITECTURAL GUTTER OUTLET W/ STAR

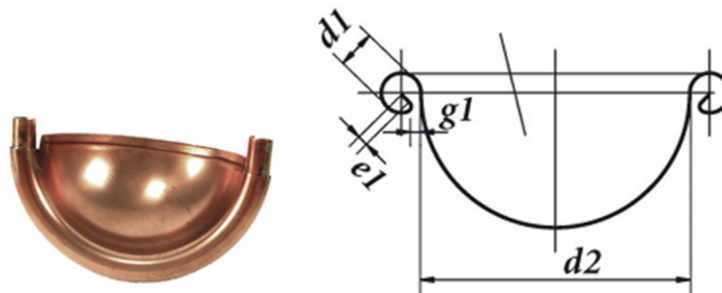


GUTTER SIZE	DOWNSPOUT SIZE	PART #	d	b	h	c
4"	2.25"	LAZED42	2.25"	5.01"	2.36"	1.57"
4"	3"	LAZED43	3"	6.50"	2.95"	1.38"
5"	3"	LAZED53	3"	6.30"	3.15"	1.57"
5"	4"	LAZED54	4"	7.24"	2.95"	1.97"
6"	3"	LAZED63	3"	7.28"	3.54"	1.57"
6"	4"	LAZED64	4"	7.48"	3.54"	1.97"
7.6"	4"	LAZED764	4"	8.27"	4.13"	1.97"
7.6"	5"	LAZED765	5"	8.27"	4.13"	1.97"
7.6"	6"	LAZED766	6"	8.27"	4.13"	1.97"

Date	Invoice#	Project	Company	Architect



LAZER ARCHITECTURAL 1/4 BALL END CAPS



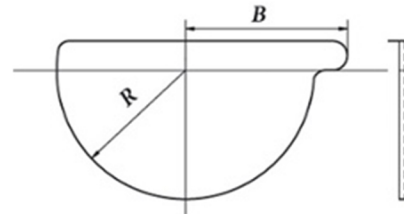
size	d2	d1	e1	g1
4"	4.13"	0.71"	0.28"	0.20"
5"	5.00"	0.71"	0.28"	0.20"
6"	6.02"	0.79"	0.35"	0.24"
7.6"	7.56"	0.87"	0.35"	0.24"

Date	Invoice#	Project	Company	Architect



LAZER ARCHITECTURAL END CAPS

RIGHT/LEFT FLAT END CAPS-COPPER

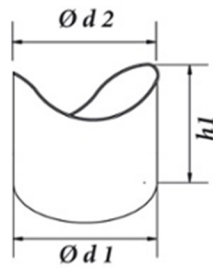


size	R	B
4"	2.05"	2.35"
5"	2.48"	2.82"
6"	3.0"	3.25"
7.6"	3.75"	3.95"

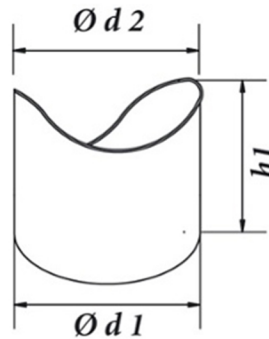
Date	Invoice#	Project	Company	Architect



## LAZER STANDARD DROP OUTLET



Available in:  
 2 1/4", 3", 4", and 5" sizes  
 Made from 18 oz. copper



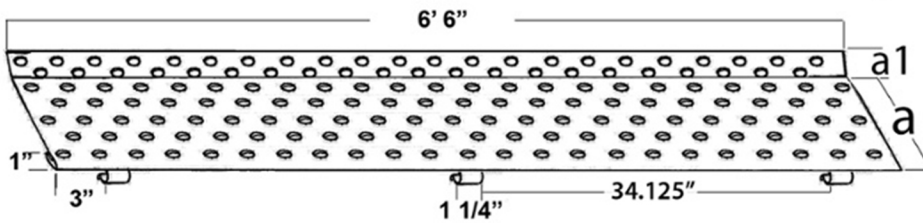
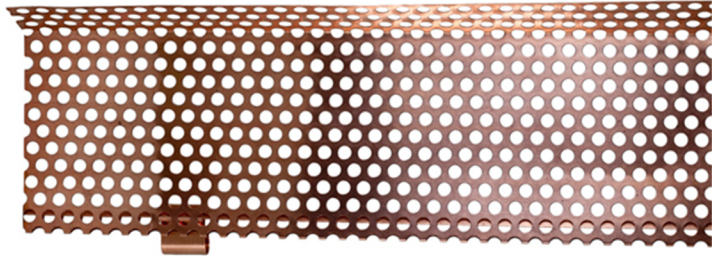
size	d1	d2	h1
2"	2.25"	2.66"	2.30"
3"	3.0"	3.35"	2.93"
4"	4.0"	4.45"	3.03"
5"	5.0"	5.27"	3.50"

Date	Invoice#	Project	Company	Architect





LAZER ARCHITECTURAL LEAF GUARDS



SIZE	PART#	a	a1	HOLE DIA
5"	LAZED5GG	5.25"	1.875"	5/16"
6"	LAZED6GG	6.125"	1.875"	5/16"
7.6	LAZED76GG	7.75"	2.125"	5/16"

Date	Invoice#	Project	Company	Architect