

Steel Gutter System

“In Stock Colors”

Unpainted 24 gauge G-90 galvanized also in stock



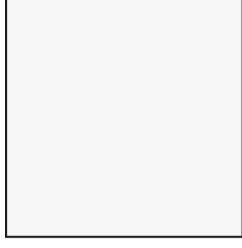
DARK BRONZE



BLACK



NATURAL GREY METALLIC



ANTIQUE WHITE



DARK CHARCOAL



Rugged Construction

Produced from 24 gauge Zinc-magnesium coated steel and painted with a thick scratch resistant coating.

15 Year Warranty 100% non pro-rated

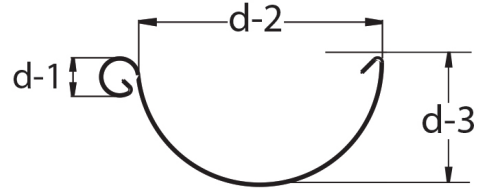
Premier Steel Gutter Systems have a 15 Year 100% Non Pro-rated Warranty. Gutter and Accessories Warranted not to blister, flake, chip, crack, peel, split, rot, red rust, or structurally deteriorate as a direct result of manufacturing defects. *warranty applies to painted products only.





STEEL GUTTER SYSTEM

Half Round Gutter. Standard Lengths 18 & 10 Ft.



Size	d-1	d-2	d-3
5"	.71"	5"	3.125"
6"	.79"	6"	3.687"
7.6"	.79"	7.56"	4.50"

24 Gauge Zinc Magnesium Steel and sprayed with a proprietary scratch and fade resistant paint.

Half Round Gutter. Standard Length 18 & 10 Ft.

Color

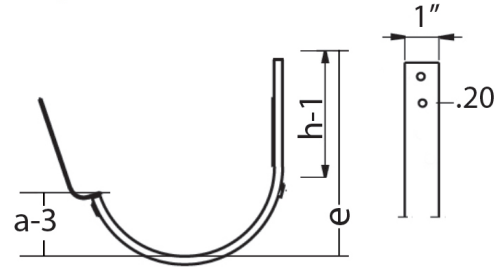
- WHITE
- DARK BRONZE
- BLACK
- DARK CHARCOAL
- NATURAL GRAY METALIC
- UNPAINTED G-90 GALVANIZED

Date	Invoice#	Project	Company	Architect



STEEL GUTTER SYSTEM

Heavy Duty Fascia Hanger



Size	material thickness	Material width	a-3	e	h-1
5"	.1875"	1.125"	2.25"	4.56"	2.187"
6"	.1875"	1.125"	2.75"	5.125"	2.687"
7.5"	.1875"	1.125"	3.437"	5.937"	1.625"

Durable, long lasting premium weathering powder coat finish

Heavy Duty Fascia Hanger

Color

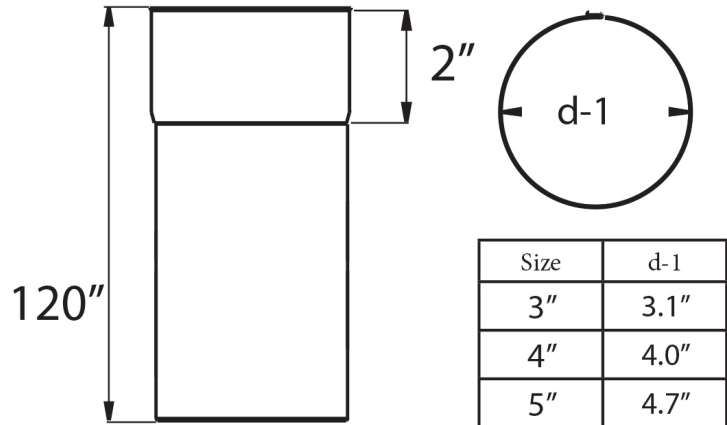
- WHITE
- DARK BRONZE
- BLACK
- DARK CHARCOAL
- NATURAL GRAY METALIC
- UNPAINTED G-90 GALVANIZED

Date	Invoice#	Project	Company	Architect



STEEL GUTTER SYSTEM

3" 4" & 5" downspout / Standard Length 10 Ft.



24 Guage Zinc Magnesium Steel and sprayed with a proprietary scratch and fade resistant paint.

Downspout / Standard Length 10 Ft.

Color

- WHITE
- DARK BRONZE
- BLACK
- DARK CHARCOAL
- NATURAL GRAY METALIC
- UNPAINTED G-90 GALVANIZED

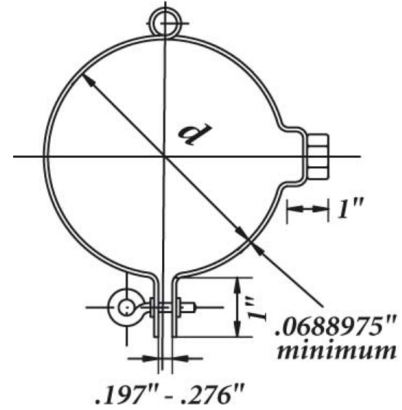
Date	Invoice#	Project	Company	Architect



STEEL GUTTER SYSTEM

Downspout Bracket

Available in 3", 4" and 5"



bracket has a durable premium weathering powder coat finish and is produced from heavy .0937" G90 galvanized steel. available in 4 popular colors.

Downspout Bracket

Color

- WHITE

- DARK BRONZE

- BLACK

- DARK CHARCOAL

- NATURAL GRAY METALIC

- UNPAINTED G-90 GALVANIZED

Date	Invoice#	Project	Company	Architect



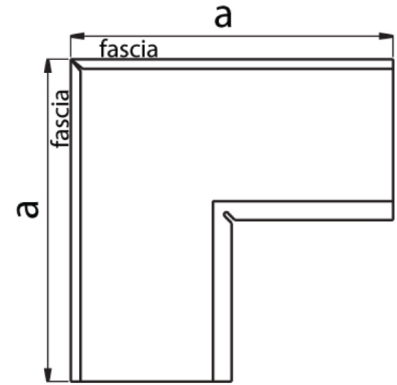
STEEL GUTTER SYSTEM

90° Inside Corner, Steel Miters



(7.6" size has welded seam)

Gutter Size	a
5"	11.875"
6"	11.875"
7.6"	13.50"



24 Gauge Zinc Magnesium Steel and sprayed with a proprietary scratch and fade resistant paint.

Inside Gutter Miter

Color

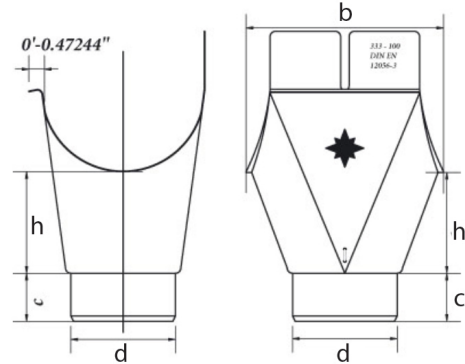
- WHITE
- DARK BRONZE
- BLACK
- DARK CHARCOAL
- NATURAL GRAY METALIC
- UNPAINTED G-90 GALVANIZED

Date	Invoice#	Project	Company	Architect



STEEL GUTTER SYSTEM

Funnel Type Gutter Outlet



gutter	outlet	b	c	d	h
5"	3.0"	7.0"	2"	3.0"	30.0"
6"	4.0"	7.75"	2"	3.92"	3.0"
7.5"	5"	7.75"	2"	4.67"	30.0"

24 Guage Zinc Magnesium Steel and sprayed with a proprietary scratch and fade resistant paint.

Star Outlet

Color

WHITE

DARK BRONZE

BLACK

DARK CHARCOAL

NATURAL GRAY METALIC

UNPAINTED G-90 GALVANIZED

Date	Invoice#	Project	Company	Architect



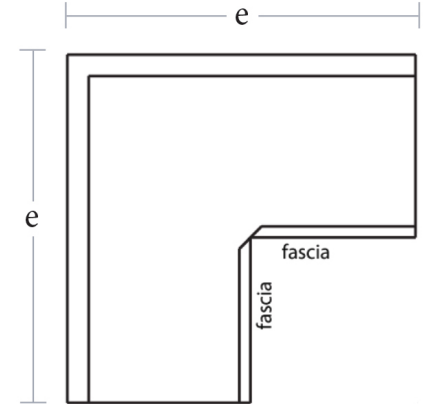
STEEL GUTTER SYSTEM

90° Outside Corner, Steel Miter



(7.6" size has welded seam)

Gutter Size	e
5"	11.80"
6"	11.80"
7.6"	13.50"



24 Gauge Zinc Magnesium Steel and sprayed with a proprietary scratch and fade resistant paint.

Outside Gutter Miter

Color

WHITE

DARK BRONZE

BLACK

DARK CHARCOAL

NATURAL GRAY METALIC

UNPAINTED G-90 GALVANIZED

Date	Invoice#	Project	Company	Architect



Galvanized Steel Half Round End Cap

-Self Sealing Universal End Cap-



-Available in 5" and 6" Gutter-

Produced from 24 gauge (.024) zinc magnesium coated steel and sprayed with a proprietary scratch and fade resistant paint.

This end cap simply taps on with a mallet, no adhesive or sealants are required. Available in 5 popular colors and unpainted G90 galvanized.

click for color options

