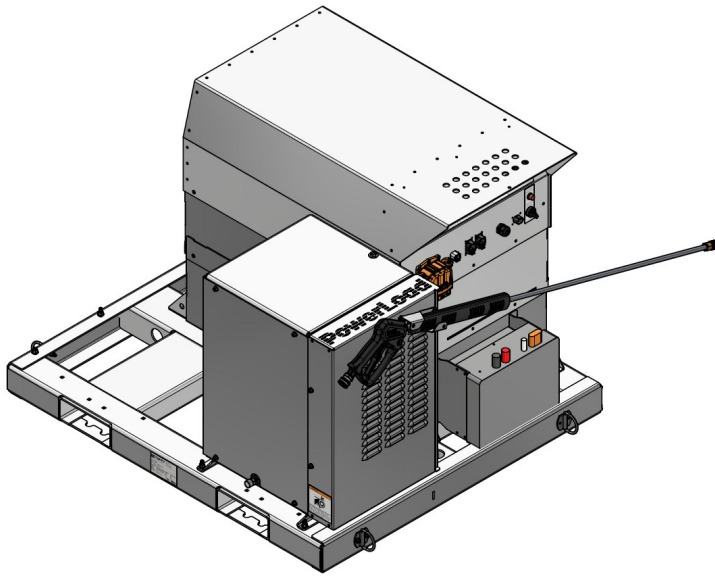


# TUFFY | PowerLoad

Zero Emission—Battery-Powered Pressure Washer—Quiet Operation



**4 GPM  
4000 PSI**

**NO MORE  
GASOLINE**

**With lower operating costs, the TUFFY  
PowerLoad will save on average  
\$5.00/hour**

## Full Day of Work on a Single Charge



100% Battery-Powered System utilizing Class A Lithium Iron Phosphate (LiFePO<sub>4</sub>) technology for Maximum Safety, Performance, > 4,000 charge cycles (> 10 years ).



Ability to control your cleaning performance by selecting from the assortment of nozzles to meet your cleaning application.



Ability to select the motor RPM by adjusting the Potentiometer which adjusts the water volume and pressure for a tailored clean.

*“Working Together For A Cleaner, Greener Tomorrow”*



**TUFFY**  
CLEANING SYSTEMS

1-877-TuffyCS or 1-877-883-3927  
sales@tuffycs.com  
www.TuffyCleaningSystems.com

Tuffy Cleaning Systems is at the forefront of innovation in battery powered pressure washer technology. The Tuffy PowerLoad is designed for multiple flow and pressure settings to optimize your cleaning, simply change the nozzle or adjust the dial setting to conserve water and extend your run time while saving energy and water. With performance between 2.2 and 4.2 GPM and 600 to 4000 PSI and multiple power modules to choose from, **that means the performance you want, when you want it!**

The rugged aluminum frame not only looks good going down the road, but it is corrosion resistant, built to last and environmentally friendly as aluminum is recyclable and doesn't need to be painted.

**The Tuffy PowerLoad will change the way you clean!**

## *“Working Together For A Cleaner, Greener Tomorrow”*

- Zero Emissions Pressure Washer—Improving Air Quality
- Quiet Operation—Reducing Noise Pollution
- Integrated Charging System—Comes with Standard Plugs
- Water Conserving Modes—Reducing Water Waste
- Belt Driven Triplex High Pressure Pump for Longer Life
- Auto Slow/Idle Down Technology — Saves Energy
- 12 Month Limited Warranty, 5 Year Limited Battery Warranty  
7 Year Limited Pump Warranty



**DESIGNED &  
ASSEMBLED IN  
USA**

### System Features

- Heavy Duty Aluminum Skid Base w/ Forklift Pockets
- Easy Select Flow and Pressure Settings to Optimize your Cleaning Needs

### System Includes

- Relaxed Grip Trigger Gun and 48” Molded Lance
- QC Nozzle Set 3.7 to 6.0 in 15°, 25° and 40° (30 nozzles)
- Turbo and Blaster Nozzles for Harder Cleaning
- Chemical Injector Standard

Model Specs	Power Module		GPM		PSI		*Run Time (hrs)		Full Charge (hrs)		Weight (lbs)	
	MFG Model	kW	Ah	Min	Max	Min	Max	Min	Max	125v	250v	Dry
CS42B24-440	24	250	2.2	4.2	600	4000	2	15	12	6.0	800	n/a
CS42B36-440	36	375	2.2	4.2	600	4000	3	23	n/a	5.5	1065	n/a
CS42B48-440	48	500	2.2	4.2	600	4000	4	30	n/a	7.25	1150	n/a

\* Run Times @ 100% Duty Cycle with 20% Reserve Programed and Hot Water  
>4,000 Charge Cycles  
Unit Net Dimensions = 42L x 48W x 41H

**Distributed by:**