

NEW!

11 mm

**WIDER 11MM LENS
SAVES TIME CURING!**

**FLAT LOW PROFILE
HEAD REACHES IN
THE MOUTH EASILY!**

The
Cure
SERIES *TC-3*™

**THE SMALLEST, MOST POWERFUL
AND DURABLE LED CURING LIGHT.
NOW WITH A WIDER LENS!**



1.800.800.1680

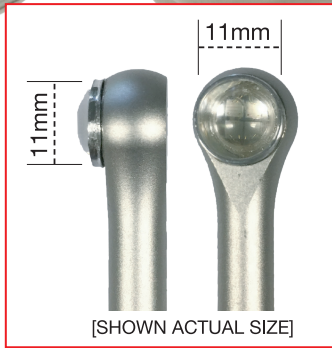
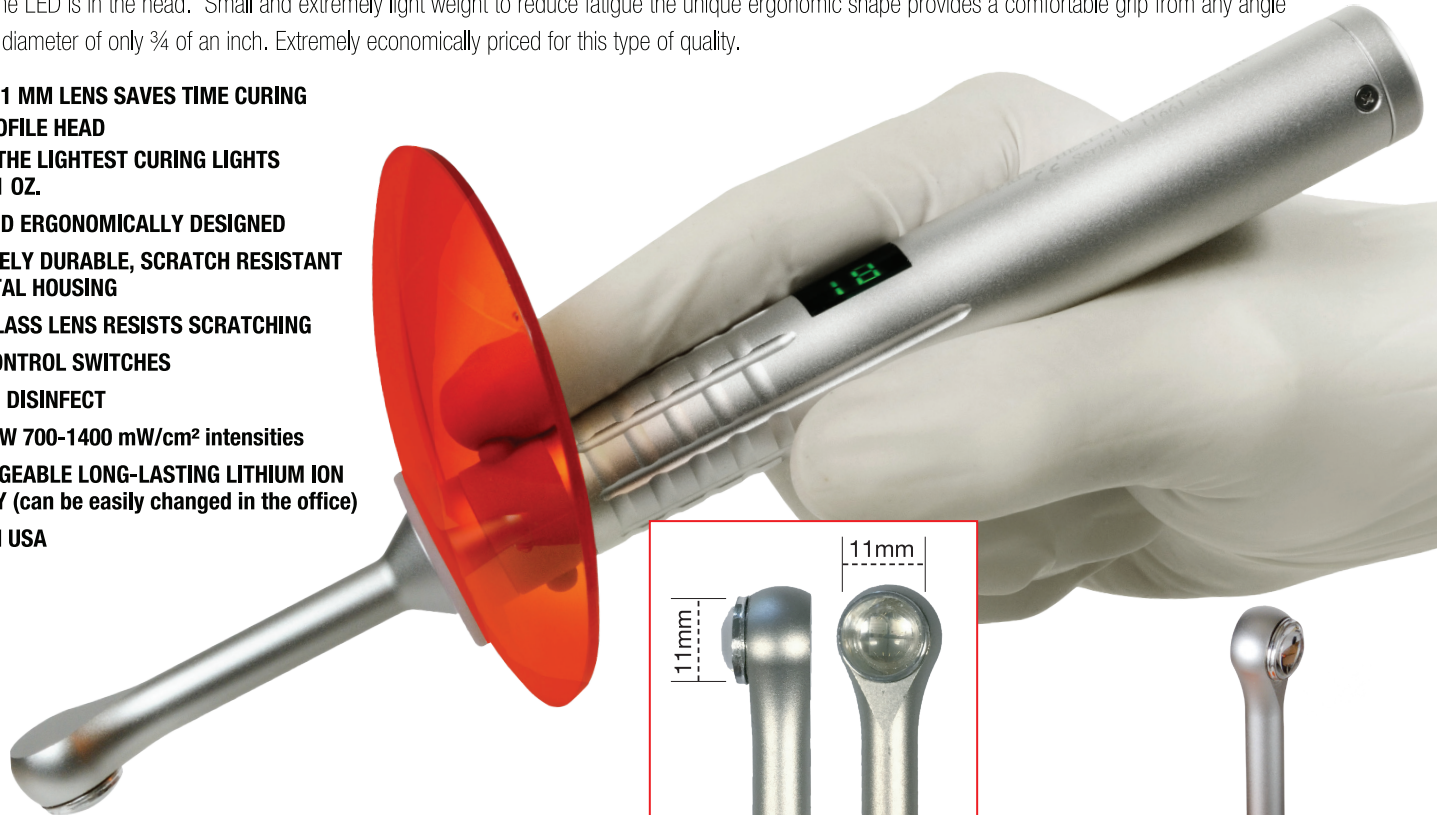
www.SpringHealthProducts.com



THE LED CURING LIGHT WITH THE WIDER LENS.

Spring Health Products' The CURE TC-3 cordless curing light with a wide 11mm lens is the latest in high-power LED technology providing 1400 mW/cm² high intensity & 700 mW/cm² low. The 11mm lens is designed to easily cover a larger area such as a molar for a fast cure. The flat-back head and low-profile design ensure easy access to all areas of the mouth. The front and back power buttons allow for easy operation. The LED has 4 diodes in the tip to provide a wavelength capable of polymerizing most light-cured dental materials and will also penetrate porcelain to cure underlying resin cements and allow for a 6 second uniform cure. The digital timer readout can be set from 2 to 20 seconds. The durable all metal housing is easy to disinfect and virtually unbreakable. There is no glass rod to chip or break; the LED is in the head. Small and extremely light weight to reduce fatigue the unique ergonomic shape provides a comfortable grip from any angle with a grip diameter of only 3/4 of an inch. Extremely economically priced for this type of quality.

- **WIDER 11 MM LENS SAVES TIME CURING**
- **LOW PROFILE HEAD**
- **ONE OF THE LIGHTEST CURING LIGHTS ONLY 3.1 OZ.**
- **SLIM AND ERGONOMICALLY DESIGNED**
- **EXTREMELY DURABLE, SCRATCH RESISTANT ALL METAL HOUSING**
- **HARD GLASS LENS RESISTS SCRATCHING**
- **DUAL CONTROL SWITCHES**
- **EASY TO DISINFECT**
- **HIGH/LOW 700-1400 mW/cm² intensities**
- **RECHARGEABLE LONG-LASTING LITHIUM ION BATTERY (can be easily changed in the office)**
- **MADE IN USA**



Technical Specifications:

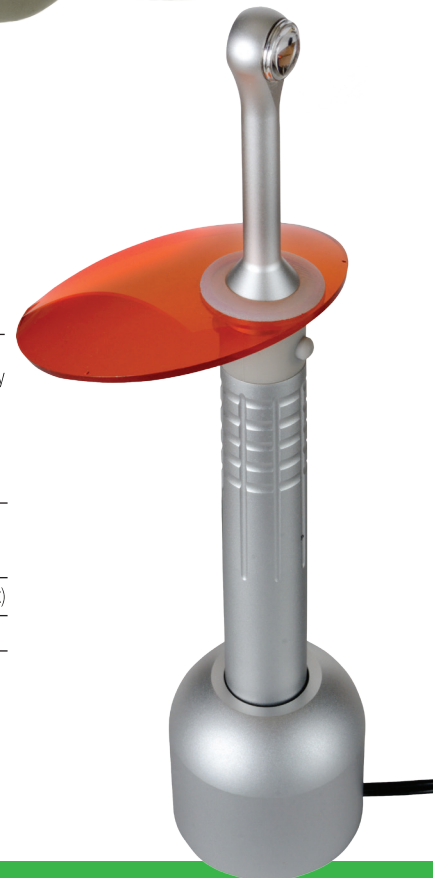
Weight:	3.1oz (87.9 g)
Overall Length:	8" in. (20.3 cm)
Grip Diameter:	.75" in. (1.9 cm)
Battery/Output:	30 minutes continuous run time with constant light output at 1400 mW/cm ²
Power:	High/Low programmable setting 1400/700 mW/cm ² for optional step curing
Curing Time:	As little as 6 seconds on most modern composites
LED Wave Length:	440nm - 460nm
Battery Life:	Long life lithium-ion battery life that is replaceable in office
Timer:	Programmable settings from 2 seconds to 20 seconds
Beeper:	Audible beeper at end of time cycle
Housing:	Durable, light-weight anodized aluminum housing
Replaceable Lens:	11mm diameter lens is replaceable at chair side
On/Off Switch:	Dual on/off switches
Warranty:	1-year warranty on all parts and labor including battery

Package Contents:

- Spring THE Cure TC-3 LED curing light
- Battery charger base with attached power supply
- 2 flat-surface mount hangers
- The Cure orange light-shield
- 50 barrier sleeves
- Lens wrench

Accessories Available:

- #TC-CLBat Replaceable Lithium Battery
- #TC-CS Protective Barrier Sleeves (400/Bx)
- #662 Radiometer Light Meter



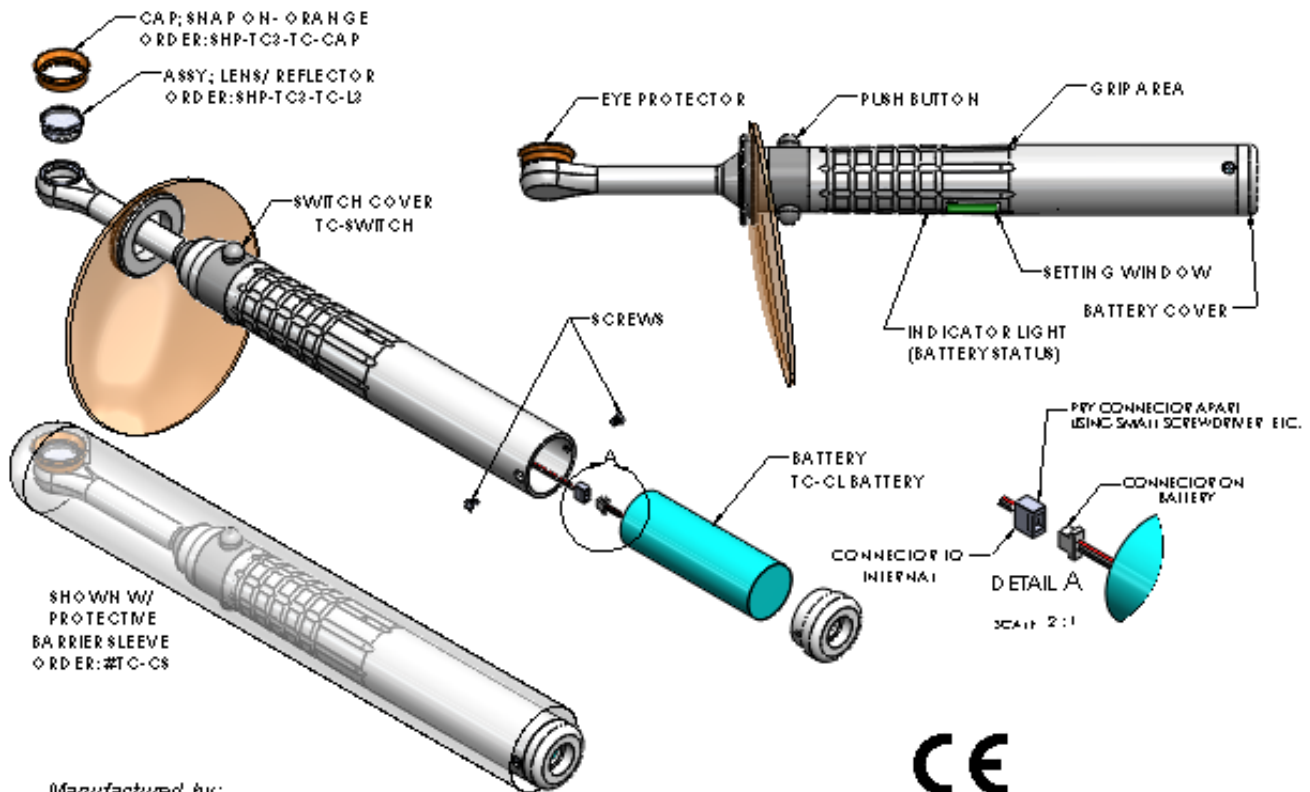
OPERATIONAL MANUAL

for the CURE Cordless TC-3 (silver)

Box Contents:

QTY.	DESCRIPTION
1	Cordless TC-3 with 11mm lens.
1	Charging Base with power supply.
1	Light Shields- for eye protection.
50	Sleeves- for protective barrier:
1	Wrench- for changing lens.
2	Flat Surface Mount Hanger
1	Operational Manual

Reorder Sleeves- Box 400 #TC-CS



Manufactured by:
SPRING HEALTH PRODUCTS, INC.
 705 General Washington Ave.
 Suite 701 Norristown, PA. 19403 USA
 springhealthproducts.com



Isi Reproduction.
 J. I. Inc.
 © 95 Via Cordless 4
 Mar 2012

1. DESCRIPTION

the CURE Cordless TC-3 dental curing light for the polymerization of dental composites, sealants and adhesives.

2. ERGONOMIC FEATURES

- Light weight
- Equipped with two on/off buttons. This allows you to easily control the function of the light from any position.
- Flat surface mount included. Conveniently mounts anywhere or on the dental unit.

Dimensions of Light

Overall Length: 8" or 20.3cm Width: Grip diameter .750" or 1.9cm, base, .815" or 2.1cm Weight: 2.75 oz or 83 gr./gm

3. SPECIFICATIONS

- | | |
|-----------------------|--|
| a) Battery | Lithium-Ion 3.7V nominal |
| b) Power Input | 5V DC Specify Country |
| c) Operation | Continuous operation with intermittent loading. "Set and forget" adjustable timer. 15 second rest period needed in between 20 second cycles if running continuously (as in orthodontic cases). |
| d) Lamp | Ultra-high output LED. Service center replacement only. Life expectancy is in excess of 5000 hours. |
| e) Output Wavelength | 440 to 460 nm |
| f) Output Intensity | High output greater than 1400 mw/cm ² |
| g) Thermal Protection | If overheating occurs, the unit will shut off for a brief time and four beeps will be heard. |
| h) Fuse | Internal to handpiece, automatic reset. |
| i) Shutoff | When digital countdown timer reaches zero, or by pressing on/off button when the light is in use. |

4. SAFETY PRECAUTIONS

CAUTION: The light is provided in a non-sterile condition and must be disinfected prior to patient contact and use a protective curing sleeve for each patient use.

CAUTION: This curing unit produces high output curing energy. A significant increase in curing energy is possible compared with equipment previously used. It is important to observe the following precautions and procedures. **CAUTION:** Do not place light directly on or towards unprotected gingiva or skin. **CAUTION:** Adjust the curing techniques in accordance with the increase in curing energy. Some examples are: decrease curing time, increase composite thickness, increase distance between the tip of the curing light and light cured materials. **CAUTION: Do not look directly at the light emitted from this curing unit.** Do not use this device without suitable protective eyewear for the operator, assistant and patient. Suitable protective eyewear blocks all energy below 550 nm. **ATTENTION:** Safety protective barrier sleeves (curing sleeves) should be changed after each patient.

5. SET UP & OPERATION

Charging Place the CURE Cordless TC-3 in the charging base and charge for 5 hours or until the indicator light stays green. The curing light may be stored in the charging base to maintain the battery charge. Replace in the stand after each use.

Indicator Light: RED = Charging Blinking RED = Low Battery Green = Charged Blinking Green = Charged
After the unit is used, the indicator light will continue to blink for a few seconds. It will then go into a sleep mode to preserve the battery. Once the battery charge becomes low the red indicator light will blink. At this time, approximately 10 twenty-second curing cycles remain.

On Single click either on/off button.

Off Automatic shut off when the digital timer reaches zero, or single click either button to stop the cycle.

Set Timer Hold both on/off buttons down at the same time. The Digital timer will count down from 20, 16, 12, 10, 8, 6, 4, 2 and back to 20 seconds. Release the buttons when you reach desired time. "Set and forget" timing: the unit will hold desired time set until it is changed by the operator.

Changing the battery: Unscrew the two bottom screws on the light. Carefully remove the cap on the bottom and slide the battery out. Un-clip the white connector, replace with new battery and reconnect the connector. Easily slide battery back inside the housing, replace the bottom cap, and screw in screws. Place light into plugged-in base charger for minimum of 4 hours. Battery is new, and charging-up will help battery charge last longer.

6. MOUNTING

Two flat surface mount hangers are supplied for mounting to any surface. A handpiece hanger which can sit adjacent to high speed handpieces or three-way syringe, can be ordered. For European type units *the CURE* will fit into flat surface mount hangers.

7. CURE TIMES

A3 shades and lighter typically take 6-8 seconds to cure. Darker shades and flowables may take longer. It is recommended that dentists run their own tests, using a sharp instrument to determine if the bottom section of composite is as hard as the top.

8. LIGHT MEASUREMENT

To ensure proper curing, a radiometer should be used on a regular basis to measure the light intensity. There should be little variation over time since *the CURE* lifetime is extremely long. If the reading drops off, check to see if the lens is clear. If not, clean or replace it.

Please check cure manufacture of composite instructions for proper wave length. Most composites cure at 440-490nm.

9. CLEANING / DISINFECTING

DO NOT IMMERSE IN LIQUID. Thoroughly wipe the handpiece with cleaning solution or soap and water. Disinfect by wiping down with alcohol, phenolic or glutaraldehyde disinfectants per the disinfectant manufacturer's instructions.

10. LIABILITY

Spring Health considers itself responsible for the safety and performance of the product only if installation or modifications are done by persons authorized by Spring Health, the electrical installation meets local requirements, and the equipment is used in accordance with these instructions.

11. WARRANTY The CURE Cordless TC-3 comes with a 12-month warranty for parts and labor from date of purchase. To register for warranty- email: customercare@springhealthproducts.com. Include all contact information and phone and email address. Also include serial # and invoice.