

# BATHROOM COLLECTION

---



**AEON**  
sculptural heating

## BATHING BEAUTIES

Our bathrooms are now our sanctuaries, where we freshen up for the day ahead, or relax in heated luxury after the work is done. As such, we are paying more attention to their design than ever before. A gorgeous bathroom can sell a house and repair a fractious mood. So it needs to be beautiful, calming and above all, inviting.

Which means it needs it be warm. The right heating system can make your bathroom the closest thing to paradise on earth. Installing an AEON radiator or towel rail will ensure effective heat at the same time as classic beauty – the perfect combination for any room dedicated to pampering.



**AEON**  
sculptural heating

## WARM GREETINGS

Welcome to AEON, international market leaders in the design and production of aesthetically pleasing, ultra reliable heating solutions. We take great pride in turning the humble radiator or towel rail into a thing of unexpected beauty and unrivalled performance. Our striking collection has been created, crafted and hand-finished by experts, using only the finest quality materials available.

We now invite you to explore the collection and admire its versatility and elegance. Why compromise on style when it comes to heating? From discreet towel rails that slot seamlessly into an existing bathroom design to elaborate heated sculptures that become the undisputed focal point of the room; there is something to suit every taste and heating requirement.

Call us on 01908 271155 or visit [www.aeon.uk.com](http://www.aeon.uk.com). We hope you enjoy discovering what we have to offer.



# BATHROOM



ATILLA  
10 > 10

BOLERO  
10 > 60

BOSPORUS  
10 > 58

CAPPADOCIA  
10 > 33

CAT LADDER  
10 > 28



CENGIZ  
10 > 30

CLIPPER  
10 > 46

COFFER  
10 > 66

COMBE  
10 > 36

F-BAR & T-BAR  
10 > 69



FATIH  
10 > 20

GALLANT  
10 > 62

GALLIPOLI  
10 > 64

GRANDEUR  
10 > 48

HONEYCOMB  
10 > 50



KAPTAN  
10 > 26

KARNAK  
10 > 24

MAZE  
10 > 54

PANACEA BATH  
10 > 34

PETIT  
10 > 51

MORE >>

# BATHROOM



PODIUM  
10 > 72

S-TYPE  
10 > 56

SEREN  
10 > 16

SERHAD  
10 > 18

SERIF  
10 > 14



SIESTA  
10 > 12

SKUALL  
10 > 74

TEMPEST  
10 > 38

TIRENDAZ  
10 > 70

TORA  
10 > 22



TUBO  
10 > 40

TUDOR  
10 > 42

WINDSOR  
10 > 44

ZENITH  
10 > 53

## SYMBOL GUIDE

- E** Electric only
- H** Hot water systems
- D** Dual fuel systems
- R** Radiator
- R T** Radiator & Heated Towel Rail
- T** Heated Towel Rail
- T R** Heated Towel Rail & Radiator
- 8** **10** Maximum Working Pressure (Bar)
- 120°C** Maximum Working Temperature
- O** **C** Open Heating System, Closed Heating System
- SS** Stainless Steel
- V** **H** **FS** Mounting Position: Vertical, Horizontal, Freestanding
- 20 YEARS** Warranty



## ATILLA

Reassuringly solid. This contemporary, square towel rail brings warmth where it's needed. An essential element of the kitchen or bathroom, it co-ordinates beautifully with its surroundings.

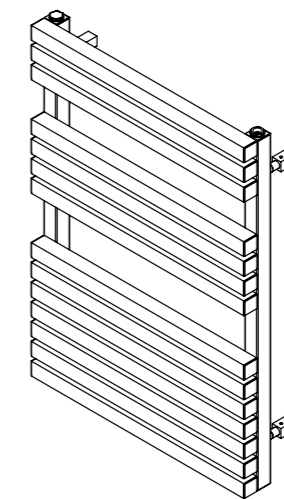
**i** Model shown: Opposite page: AT5A15-S (brushed matt)

### ATILLA

SS MATERIAL
10 WORKING PRESSURE
120°C WORKING TEMP.
O C OPEN/CLOSED SYSTEM
V MOUNT POSITION
20 YEARS WARRANTY

Product Name	Height (mm)	Length (mm)	Depth (mm)	Fuel Options (E/H/D)	Towel Gaps	Pipes or Sections	Heat Output (BTU/w) ΔT 50		E: Electric only Choice of Elements (Watts)		Finish S: Brushed Matt P: Polished
							602	860	300	400	
AT5A7	710	500	60	E/H/D	2	14	2056	602	300	400	S, P
AT5A10	1040	500	60	E/H/D	3	20	2937	860	400	600	S, P
AT5A15	1480	500	60	E/H/D	4	28	4112	1204	600	900	S, P

We recommend the 3 Bar Safety Valve for all ELECTRIC ONLY (E) products. Dual Fuel is possible either by use of "T" piece and radiator valve or by use of ONE850 or ONE851 (4 way valve)



AEON 8 SIESTA



AEON 9 SIESTA



## SIESTA

Everyone knows the restorative powers of a well-timed nap. So imagine snoozing whilst wrapped up in a bathrobe warmed by the smooth panels of this high-performance towel rail. Bliss.

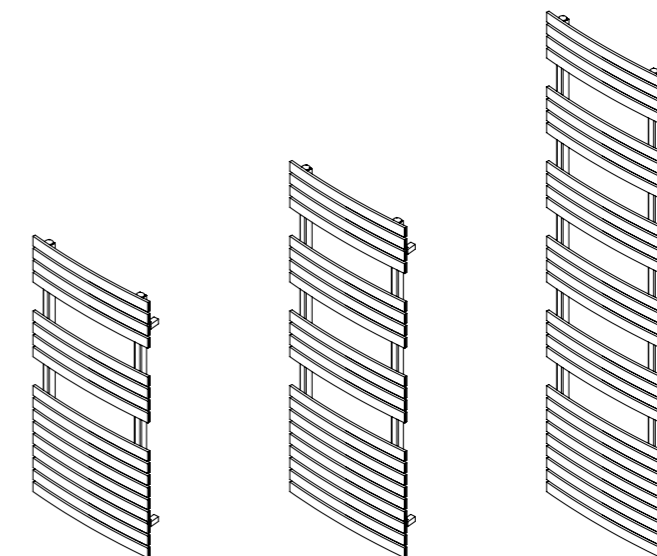
① Model shown: Opposite page: SIE520-29-S (brushed matt) Above: SIE514-21-S (brushed matt)

### SIESTA

SS MATERIAL   
 10 WORKING PRESSURE   
 120°C WORKING TEMP.   
 O C OPEN/CLOSED SYSTEM   
 V MOUNT POSITION   
 20 YEARS WARRANTY

Product Name	Height (mm)	Length (mm)	Depth (mm)	Fuel Options (E/H/D)	Towel Gaps	Pipes or Sections	Heat Output (BTU/w) ΔT 50		E: Electric only Choice of Elements (Watts)		Finish S: Brushed Matt P: Polished
							724	300	400		
SIE510-17	1060	550	50	E/H/D	2	17	2469	724	300	400	S, P
SIE514-21	1370	550	50	E/H/D	3	21	3076	902	400	600	S, P
SIE520-29	1990	550	50	E/H/D	4	29	4245	1245	600	900	S, P

We recommend the 3 Bar Safety Valve for all ELECTRIC ONLY (E) products. Dual Fuel is possible either by use of "T" piece and radiator valve or by use of ONE850 or ONE851 (4 way valve)



Call us on 01908 271155 or visit [www.aeon.uk.com](http://www.aeon.uk.com)



## SERIF

Beautiful stainless steel combined with great design credentials. The distinctively architectural lines of this towel rail's chunky rows and dramatic columns give it an enduring, no-nonsense appeal.

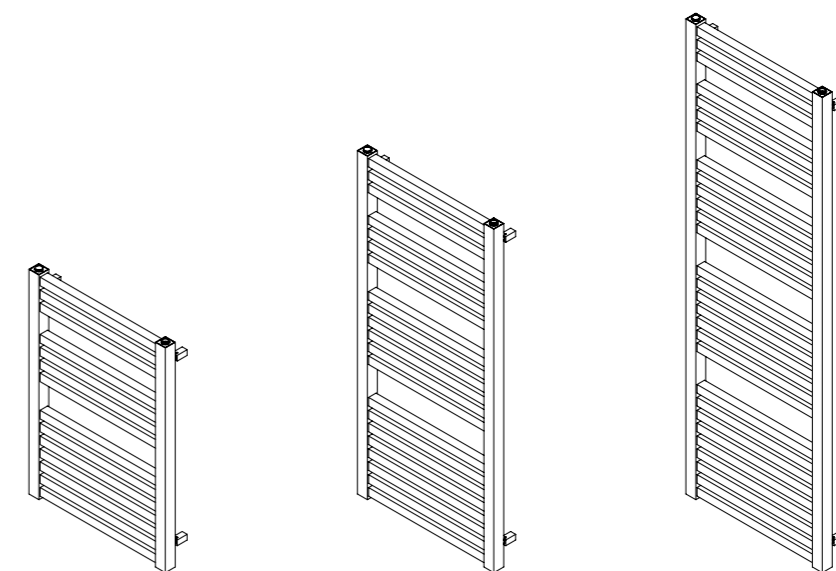
**i** Model shown: Opposite page: SRF512-S (brushed matt)

### SERIF

SS MATERIAL
10 WORKING PRESSURE
120°C WORKING TEMP.
O C OPEN/CLOSED SYSTEM
V MOUNT POSITION
20 YEARS WARRANTY

Product Name	Height (mm)	Length (mm)	Depth (mm)	Fuel Options (E/H/D)	Towel Gaps	Pipes or Sections	Heat Output (BTU/w) ΔT 50		E: Electric only Choice of Elements (Watts)		Finish S: Brushed Matt P: Polished
							1200	1660	300	400	
SRF5S8	785	550	40	E/H/D	2	14	1289	378	300	400	S, P
SRF5S12	1200	550	40	E/H/D	3	21	1933	567	400	600	S, P
SRF5S17	1660	550	40	E/H/D	4	29	2670	783	600	900	S, P

We recommend the 3 Bar Safety Valve for all ELECTRIC ONLY (E) products. Dual Fuel is possible either by use of "T" piece and radiator valve or by use of ONE850 or ONE851 (4 way valve)



Call us on 01908 271155 or visit [www.aeon.uk.com](http://www.aeon.uk.com)



## SEREN

Cool stainless steel provides a practical, elegant place to keep towels warm. Spacious enough to accommodate even the largest family at bath-time and superbly crafted to ensure a flawless finish.

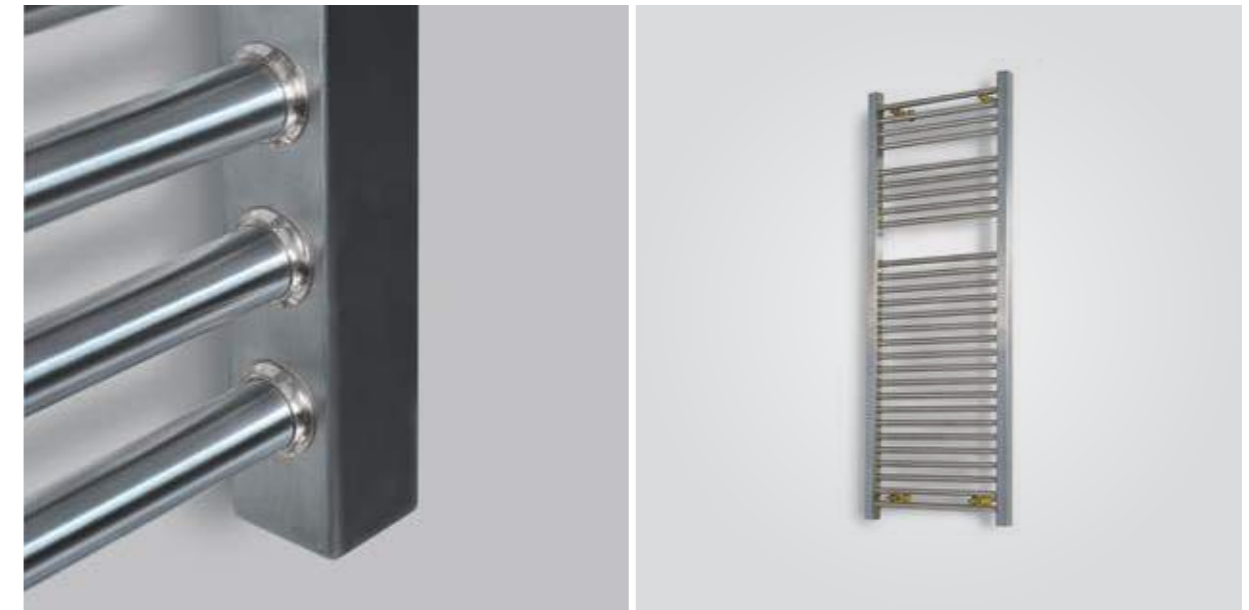
**T** Model shown: Opposite page: SE175-55-S (brushed matt)

### SEREN

SS MATERIAL
10 WORKING PRESSURE
120°C WORKING TEMP.
O C OPEN/CLOSED SYSTEM
V MOUNT POSITION
20 YEARS WARRANTY

Product Name	Height (mm)	Length (mm)	Depth (mm)	Fuel Options (E/H/D)	Towel Gaps	Pipes or Sections	Heat Output (BTU/w) ΔT 50		E: Electric only Choice of Elements (Watts)		Finish S: Brushed Matt P: Polished
SE75	750	550	32	E/H/D	1	14	1599	468	300	400	S, P
SE76	750	650	32	E/H/D	1	14	1817	532	300	400	S, P
SE105	1000	550	32	E/H/D	2	18	2271	665	400	600	S, P
SE135	1300	550	32	E/H/D	2	22	2439	714	400	600	S, P
SE136	1300	650	32	E/H/D	2	22	2862	838	400	600	S, P
SE175	1750	550	32	E/H/D	3	30	3651	1069	600	900	S, P
SE176	1750	650	32	E/H/D	3	30	4266	1249	600	900	S, P
SE75C	750	550	32	E/H/D	1	14	1599	468	300	400	S
SE76C	750	650	32	E/H/D	1	14	1817	532	300	400	S
SE105C	1000	550	32	E/H/D	2	18	2271	665	400	600	S
SE135C	1300	550	32	E/H/D	2	22	2439	714	400	600	S
SE136C	1300	650	32	E/H/D	2	22	2862	838	400	600	S
SE175C	1750	550	32	E/H/D	3	30	3651	1069	600	900	S
SE176C	1750	650	32	E/H/D	3	30	4266	1249	600	900	S
SE75G	750	550	32	E/H/D	1	14	1599	468	300	400	S
SE76G	750	650	32	E/H/D	1	14	1817	532	300	400	S
SE105G	1000	550	32	E/H/D	2	18	2271	665	400	600	S
SE135G	1300	550	32	E/H/D	2	22	2439	714	400	600	S
SE136G	1300	650	32	E/H/D	2	22	2862	838	400	600	S
SE175G	1750	550	32	E/H/D	3	30	3651	1069	600	900	S
SE176G	1750	650	32	E/H/D	3	30	4266	1249	600	900	S

We recommend the 3 Bar Safety Valve for all ELECTRIC ONLY (E) products. Dual Fuel is possible either by use of "T" piece and radiator valve or by use of ONE850 or ONE851 (4 way valve)



## SERHAD

Reliable and bold. This chic design brings the humble towel rail bang up to date with flair and finesse. Don't be fooled by its simplicity. This is engineering brilliance.

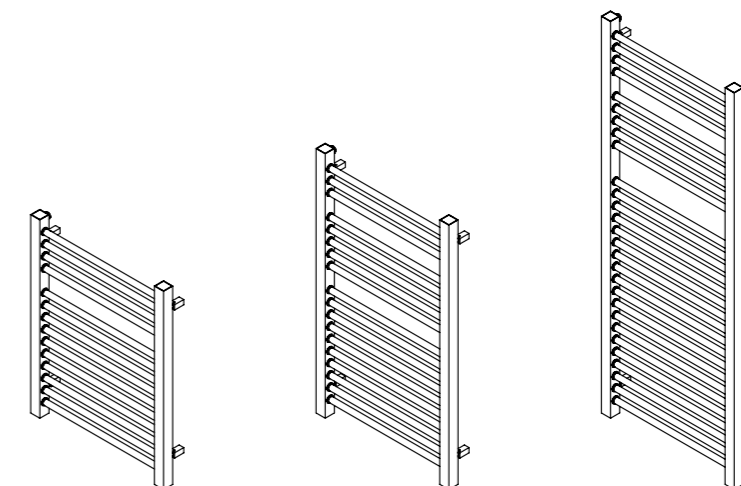
**i** Model shown: SRD150-50-S (brushed matt)

### SERHAD

SS MATERIAL
10 WORKING PRESSURE
120°C WORKING TEMP.
O C OPEN/CLOSED SYSTEM
V MOUNT POSITION
20 YEARS WARRANTY

Product Name	Height (mm)	Length (mm)	Depth (mm)	Fuel Options (E/H/D)	Towel Gaps	Pipes or Sections	Heat Output (BTU/w) ΔT 50		E: Electric only Choice of Elements (Watts)		Finish S: Brushed Matt P: Polished
							466	503	300	400	
SRD75-50	750	580	40	E/H/D	1	14	1592	466	300	400	S, P
SRDE75-60	750	680	40	E/H/D	1	14	1718	503	300	400	S, P
SRD100-50	1000	580	40	E/H/D	2	18	2036	596	400	600	S, P
SRD100-60	1000	680	40	E/H/D	2	18	2145	628	400	600	S, P
SRD150-50	1500	580	40	E/H/D	3	28	3299	966	600	900	S, P
SRD150-60	1500	680	40	E/H/D	3	28	3392	993	600	900	S, P

We recommend the 3 Bar Safety Valve for all ELECTRIC ONLY (E) products. Dual Fuel is possible either by use of "T" piece and radiator valve or by use of ONE850 or ONE851 (4 way valve)



Call us on 01908 271155 or visit [www.aeon.uk.com](http://www.aeon.uk.com)





## FATIH

The shape of things to come. These sharp rectangular frames shout precision engineering, while the modern, stylish design provides more than enough space for your towels.

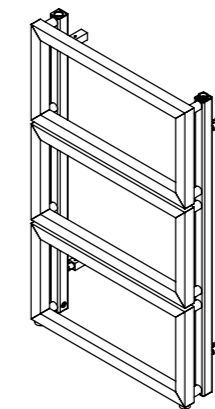
**i** Model shown: Opposite page: FA5F17-S (brushed matt)

### FATIH

SS MATERIAL
10 WORKING PRESSURE
120°C WORKING TEMP.
O C OPEN/CLOSED SYSTEM
V MOUNT POSITION
20 YEARS WARRANTY

Product Name	Height (mm)	Length (mm)	Depth (mm)	Fuel Options (E/H/D)	Towel Gaps	Pipes or Sections	Heat Output (BTU/w) ΔT 50		E: Electric only Choice of Elements (Watts)		Finish S: Brushed Matt P: Polished
FA5F8	830	500	90	E/H/D	3	14	1527	447	300	400	S, P
FA5F11	1110	500	90	E/H/D	4	18	2012	589	400	600	S, P
FA5F17	1670	500	90	E/H/D	6	26	3019	884	600	900	S, P

We recommend the 3 Bar Safety Valve for all ELECTRIC ONLY (E) products. Dual Fuel is possible either by use of "T" piece and radiator valve or by use of ONE850 or ONE851 (4 way valve)





# TORA

Timeless, classic beauty in the simple stainless steel rows and columns of this generously proportioned towel rail. Guaranteed to make any room a better place to be.

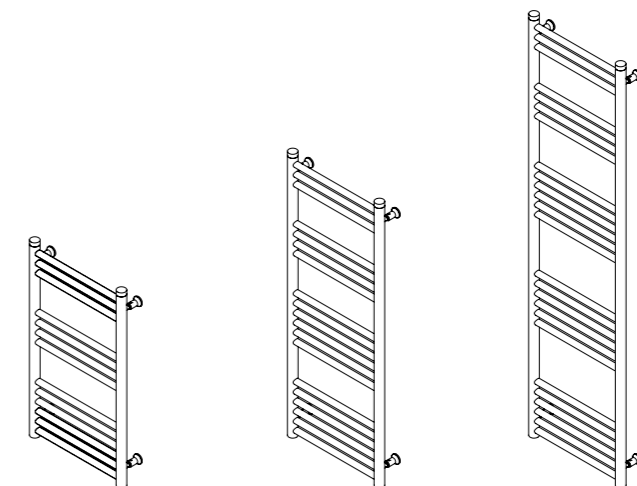
**T** Model shown: Opposite page: TOR415-4-S (brushed matt)

## TORA

SS MATERIAL
10 WORKING PRESSURE
120°C WORKING TEMP.
O C OPEN/CLOSED SYSTEM
V MOUNT POSITION
20 YEARS WARRANTY

Product Name	Height (mm)	Length (mm)	Depth (mm)	Fuel Options (E/H/D)	Towel Gaps	Pipes or Sections	Heat Output (BTU/w) ΔT 50		E: Electric only Choice of Elements (Watts)		Finish S: Brushed Matt P: Polished
							293	1500	300	600	
TOR407-2	718	400	32	E/H/D	2	13	1001	293	150	300	S, P
TOR410-3	1044	400	32	E/H/D	3	19	1462	428	300	400	S, P
TOR415-4	1550	400	32	E/H/D	4	25	1926	564	400	600	S, P
TOR507-2	718	500	32	E/H/D	2	13	1250	366	150	300	S, P
TOR510-3	1044	500	32	E/H/D	3	19	1827	535	300	400	S, P
TOR515-4	1550	500	32	E/H/D	4	25	2408	705	400	600	S, P

We recommend the 3 Bar Safety Valve for all ELECTRIC ONLY (E) products. Dual Fuel is possible either by use of "T" piece and radiator valve or by use of ONE850 or ONE851 (4 way valve)



Call us on 01908 271155 or visit [www.aeon.uk.com](http://www.aeon.uk.com)



# KARNAK

Post-bathing paradise. Imagine a place where all your towels can gently warm while you relax in the bath. This heated rail provides lots of space – even for the longest of towels.

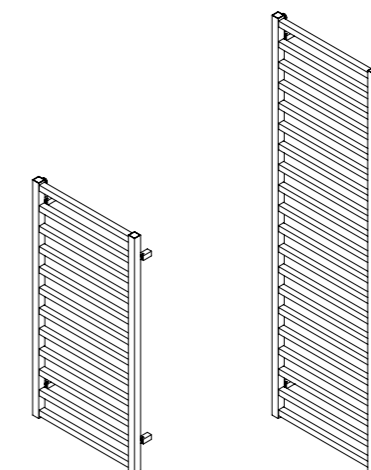
**T** Model shown: Opposite page: 5K17-S (brushed matt)

## KARNAK

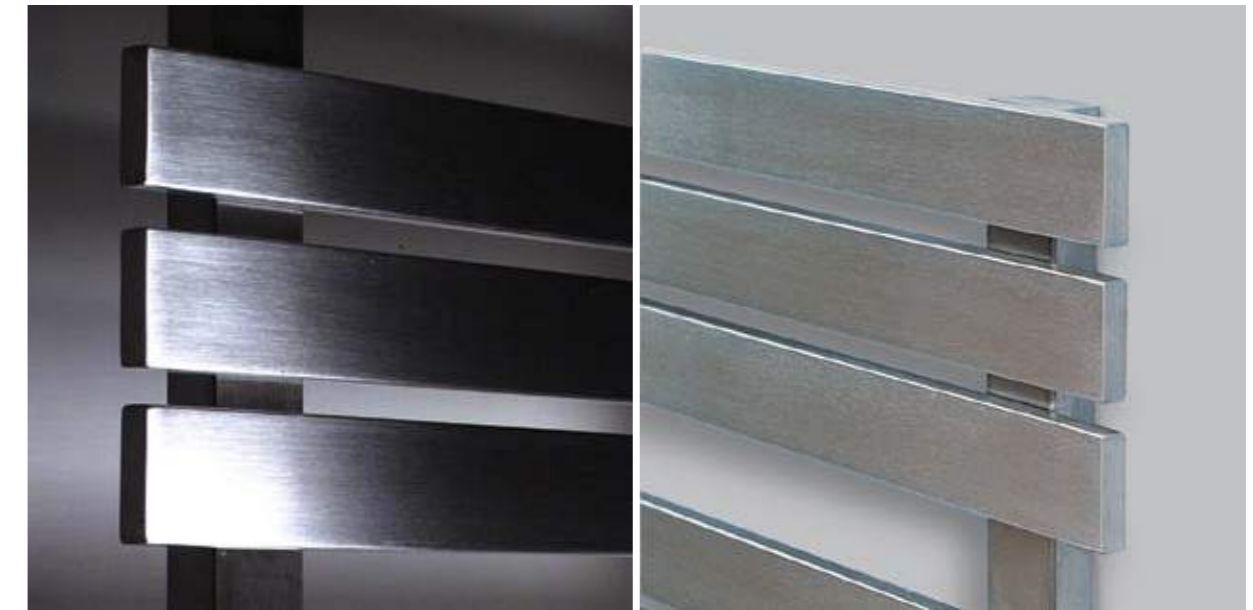
SS MATERIAL
10 WORKING PRESSURE
120°C WORKING TEMP.
O C OPEN/CLOSED SYSTEM
V MOUNT POSITION
20 YEARS WARRANTY

Product Name	Height (mm)	Length (mm)	Depth (mm)	Fuel Options (E/H/D)	Towel Gaps	Pipes or Sections	Heat Output (BTU/w) ΔT 50		E: Electric only Choice of Elements (Watts)		Finish S: Brushed Matt P: Polished
3K10	1000	310	30	E/H/D	11	12	519	152	150	300	S, P
3K14	1440	310	30	E/H/D	16	17	735	215	300	400	S, P
4K5	480	420	30	E/H/D	5	6	351	103	90	150	S, P
4K14	1440	420	30	E/H/D	16	17	995	291	300	400	S, P
5K10	1000	500	30	E/H/D	11	12	836	245	400	600	S, P
5K14	1440	500	30	E/H/D	16	17	1185	347	300		S, P
5K17	1700	500	30	E/H/D	19	20	1468	430	400	600	S, P

We recommend the 3 Bar Safety Valve for all ELECTRIC ONLY (E) products. Dual Fuel is possible either by use of "T" piece and radiator valve or by use of ONE850 or ONE851 (4 way valve)



Call us on 01908 271155 or visit [www.aeon.uk.com](http://www.aeon.uk.com)



# KAPTAN

It's a radiator, but not as we know it. This innovative set of horizontal bars displays true class with its satin finish and unrivalled performance. A perfect example of what we do best.

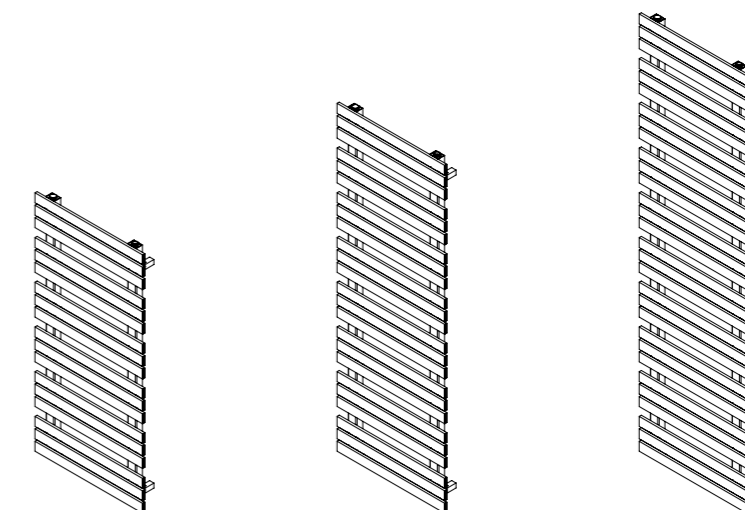
**T** Model shown: Opposite page: KA24-S (brushed matt)

## KAPTAN

SS MATERIAL
10 WORKING PRESSURE
120°C WORKING TEMP.
O C OPEN/CLOSED SYSTEM
V MOUNT POSITION
20 YEARS WARRANTY

Product Name	Height (mm)	Length (mm)	Depth (mm)	Fuel Options (E/H/D)	Towel Gaps	Pipes or Sections	Heat Output (BTU/w) ΔT 50		E: Electric only Choice of Elements (Watts)		Finish
							2388	699	300	400	S: Brushed Matt P: Polished
KA18	1040	500	40	E/H/D	5	18	2388	699	300	400	S, P
KA24	1400	500	40	E/H/D	7	24	3183	932	400	600	S, P
KA30	1760	500	40	E/H/D	9	30	3979	1165	600	900	S, P

We recommend the 3 Bar Safety Valve for all ELECTRIC ONLY (E) products. Dual Fuel is possible either by use of "T" piece and radiator valve or by use of ONE850 or ONE851 (4 way valve)



Call us on 01908 271155 or visit [www.aeon.uk.com](http://www.aeon.uk.com)



## CAT LADDER

Cat-like grace. This purr-fectly designed towel rail climbs the wall with effortless style, while radiating enough heat to keep the fussiest feline warm and content.

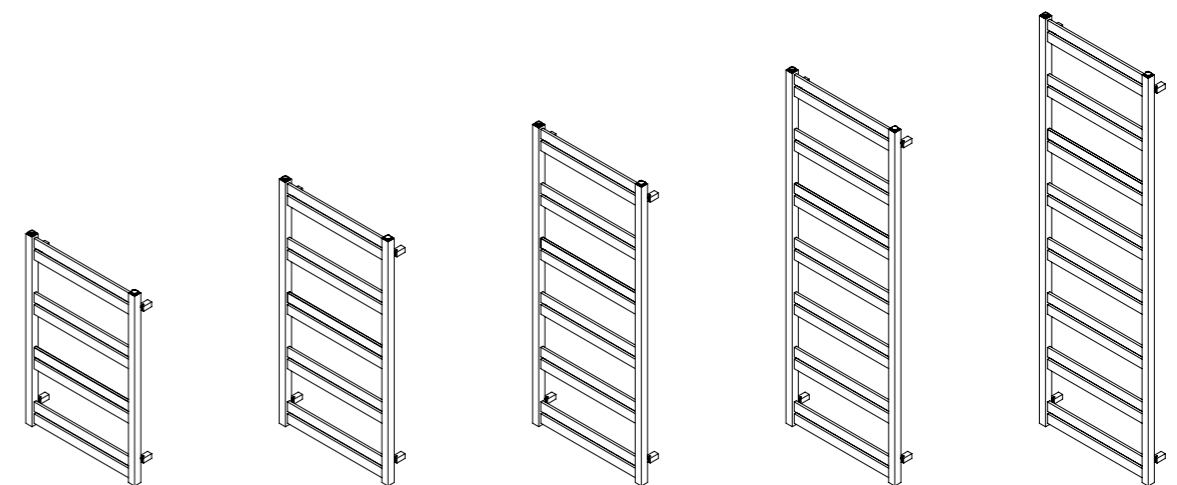
**i** Model shown: Opposite page and above right: CLA510-10P (polished)

### CAT LADDER

SS MATERIAL   
 10 WORKING PRESSURE   
 120°C WORKING TEMP.   
 O C OPEN/CLOSED SYSTEM   
 V MOUNT POSITION   
 20 YEARS WARRANTY

Product Name	Height (mm)	Length (mm)	Depth (mm)	Fuel Options (E/H/D)	Towel Gaps	Pipes or Sections	Heat Output (BTU/w) ΔT 50		E: Electric only Choice of Elements (Watts)		Finish S: Brushed Matt P: Polished
							946	277	300	400	
CLA508-8	800	530	30	E/H/D	3	8	946	277	300	400	S, P
CLA510-10	1030	530	30	E/H/D	4	10	1185	347	400	600	S, P
CLA513-12	1260	530	30	E/H/D	5	12	1421	416	400	600	S, P
CLA515-14	1490	530	30	E/H/D	6	14	1657	485	600	900	S, P
CLA517-16	1720	530	30	E/H/D	7	16	1892	554	900	900	S, P

We recommend the 3 Bar Safety Valve for all ELECTRIC ONLY (E) products. Dual Fuel is possible either by use of "T" piece and radiator valve or by use of ONE850 or ONE851 (4 way valve)



Call us on 01908 271155 or visit [www.aeon.uk.com](http://www.aeon.uk.com)



## CENGIZ

Strong. Dependable. The masculine lines of this powerful design will make your bathroom stand out from the crowd at the same time as keeping away the chill.

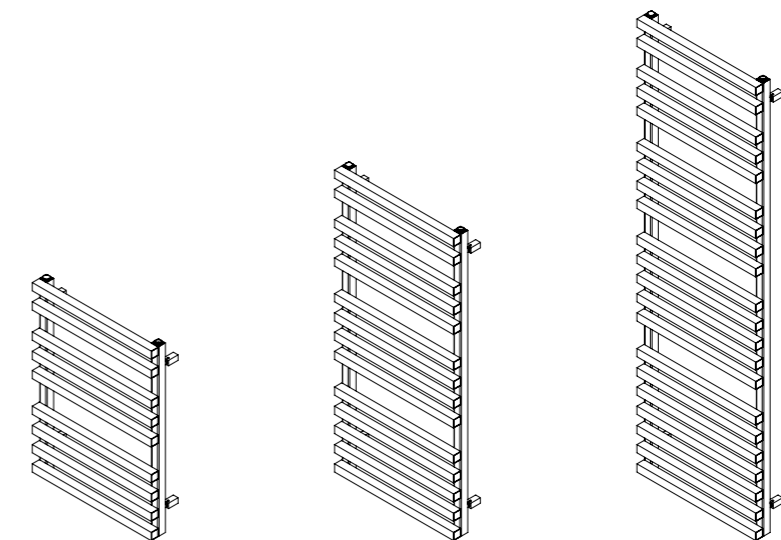
**T** Model shown: Opposite page: CEN5C11-S (brushed matt)

### CENGIZ

SS MATERIAL
10 WORKING PRESSURE
120°C WORKING TEMP.
O C OPEN/CLOSED SYSTEM
V MOUNT POSITION
20 YEARS WARRANTY

Product Name	Height (mm)	Length (mm)	Depth (mm)	Fuel Options (E/H/D)	Towel Gaps	Pipes or Sections	Heat Output (BTU/w) ΔT 50		E: Electric only Choice of Elements (Watts)		Finish S: Brushed Matt P: Polished
							876	257	300	400	
CEN5C7	690	500	60	E/H/D	2	9	876	257	300	400	S, P
CEN5C11	1100	500	60	E/H/D	3	14	1323	388	400	600	S, P
CEN5C17	1650	500	60	E/H/D	4	21	1985	582	900	900	S, P

We recommend the 3 Bar Safety Valve for all ELECTRIC ONLY (E) products. Dual Fuel is possible either by use of "T" piece and radiator valve or by use of ONE850 or ONE851 (4 way valve)



Call us on 01908 271155 or visit [www.aeon.uk.com](http://www.aeon.uk.com)

## CRAFTSMANSHIP: DEDICATION AND EXPERTISE

We are pioneers and international market leaders in design and manufacturing of stainless steel designer radiators. All our products are hand-made in the workshop by our elite team of 68 skilled craftsmen, welders, polishers, finishers and carpenters. All take great pride in their job.

Our philosophy is a fanatical adherence to quality and attention to detail. Radiators don't all have to look alike. We deliver something truly special and unique.



## CAPPADOCIA

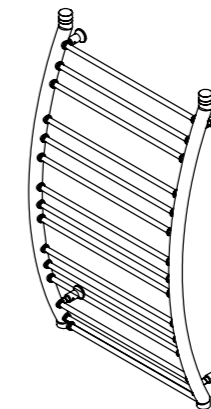
Focus on fun. Home heating brought to a new level; this stylish towel rail levels in its confident curves and slender proportions, complementing the contours of rounded basins and baths.

**T** Model shown: CAP905-S (brushed matt)

### CAPPADOCIA

SS MATERIAL
10 WORKING PRESSURE
120°C WORKING TEMP.
O C OPEN/CLOSED SYSTEM
V MOUNT POSITION
20 YEARS WARRANTY

Product Name	Height (mm)	Length (mm)	Depth (mm)	Fuel Options (E/H/D)	Towel Gaps	Pipes or Sections	Heat Output (BTU/w) ΔT 50		E: Electric only Choice of Elements (Watts)	Finish S: Brushed Matt P: Polished
							900	264	H: Central Heating Only	S, P
CAP905	900	500	130	H	3	12	900	264	H: Central Heating Only	S, P





## PANACEA BATH

The perfect bathroom accessory. This chic, louvre-style towel rail will keep the room toasty while you bathe and give you something lovely to look at while you are getting dressed afterwards.

Model shown: Opposite page: PAN1208-S (brushed matt)

### PANACEA BATH

SS MATERIAL   
 8 WORKING PRESSURE   
 120°C WORKING TEMP.   
 O C OPEN/CLOSED SYSTEM   
 V MOUNT POSITION   
 20 YEARS WARRANTY

Product Name	Height (mm)	Length (mm)	Depth (mm)	Fuel Options (E/H/D)	Towel Gaps	Pipes or Sections	Heat Output (BTU/w) ΔT 50		E: Electric only Choice of Elements (Watts)		Finish S: Brushed Matt P: Polished
PANB704	660	400	75	E/H/D	1	11	1104	323	300		S, P
PANB1004	985	400	75	E/H/D	2	16	1596	467	300		S, P
PANB1204	1175	400	75	E/H/D	3	18	1813	531	400		S, P
PANB1504	1500	400	75	E/H/D	4	22	2229	653	400		S, P
PANB1704	1680	400	75	E/H/D	4	26	2594	759	400		S, P
PANB705	660	500	75	E/H/D	1	11	1298	380	400		S, P
PANB1005	985	500	75	E/H/D	2	16	1878	550	400		S, P
PANB1205	1175	500	75	E/H/D	3	18	2131	624	400		S, P
PANB1505	1500	500	75	E/H/D	4	22	2617	766	600		S, P
PANB1705	1680	500	75	E/H/D	4	26	3053	894	600		S, P
PANB706	660	600	75	E/H/D	1	11	1493	437	400	600	S, P
PANB1006	985	600	75	E/H/D	2	16	2161	633	400	600	S, P
PANB1206	1175	600	75	E/H/D	3	18	2449	717	600		S, P
PANB1506	1500	600	75	E/H/D	4	22	3006	880	600	900	S, P
PANB1706	1680	600	75	E/H/D	4	26	3512	1028	600	900	S, P
PANB708	660	800	75	E/H/D	1	11	1881	551	400		S, P
PANB1008	985	800	75	E/H/D	2	16	2726	798	400		S, P
PANB1208	1175	800	75	E/H/D	3	18	3085	903	600		S, P
PANB1508	1500	800	75	E/H/D	4	22	3783	1108	600	900	S, P
PANB1708	1680	800	75	E/H/D	4	26	4431	1297	600	900	S, P

We recommend the 3 Bar Safety Valve for all ELECTRIC ONLY (E) products. Dual Fuel is possible either by use of "T" piece and radiator valve or by use of ONE850 or ONE851 (4 way valve)





## COMBE

Asymmetry at its best. This unusual design can be hung right or left-handed. It comes in three heights with a choice of brushed or polished steel finishes. The decision is yours.

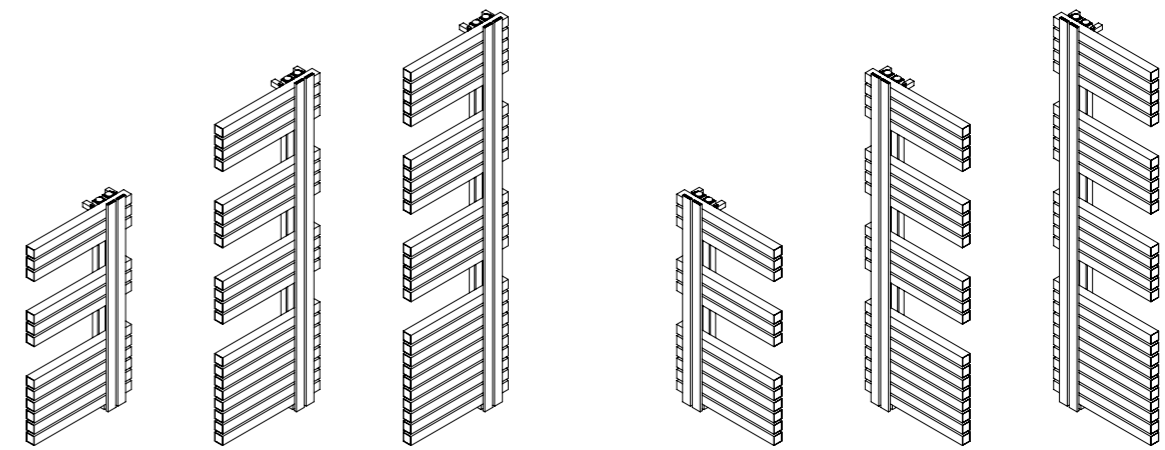
**T** Model shown: Opposite page: COM15-L-S (brushed matt)

### COMBE

SS MATERIAL   
 10 WORKING PRESSURE   
 120°C WORKING TEMP.   
 O C OPEN/CLOSED SYSTEM   
 V MOUNT POSITION   
 20 YEARS WARRANTY

Product Name	Height (mm)	Length (mm)	Depth (mm)	Fuel Options (E/H/D)	Towel Gaps	Pipes or Sections	Heat Output (BTU/w) ΔT 50		E: Electric only Choice of Elements (Watts)		Finish S: Brushed Matt P: Polished
COM10-R	920	500	80	E/H/D	2	12	3197	936	400	600	S, P
COM10-L	920	500	80	E/H/D	2	12	3197	936	400	600	S, P
COM15-R	1460	500	80	E/H/D	3	20	5328	1560	600	900	S, P
COM15-L	1460	500	80	E/H/D	3	20	5328	1560	600	900	S, P
COM18-R	1710	500	80	E/H/D	4	25	6660	1950	600	900	S, P
COM18-L	1710	500	80	E/H/D	4	25	6660	1950	600	900	S, P

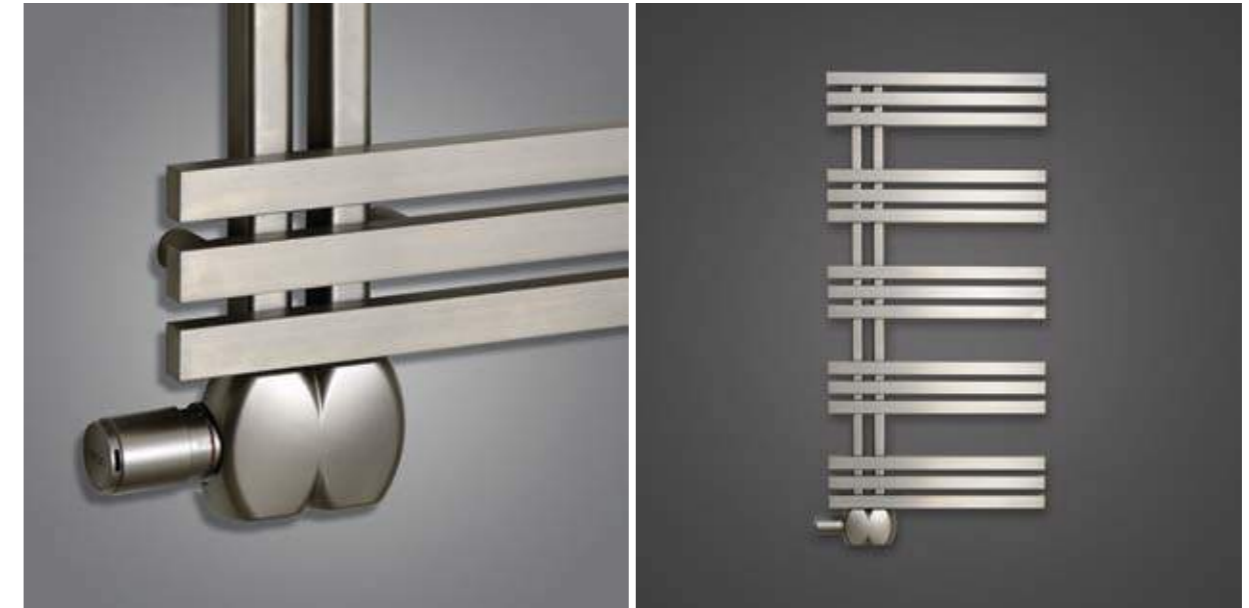
We recommend the 3 Bar Safety Valve for all ELECTRIC ONLY (E) products. Dual Fuel is possible either by use of "T" piece and radiator valve or by use of ONE850 or ONE851 (4 way valve)



L: Left-handed

R: Right-handed

Call us on 01908 271155 or visit [www.aeon.uk.com](http://www.aeon.uk.com)



## TEMPEST

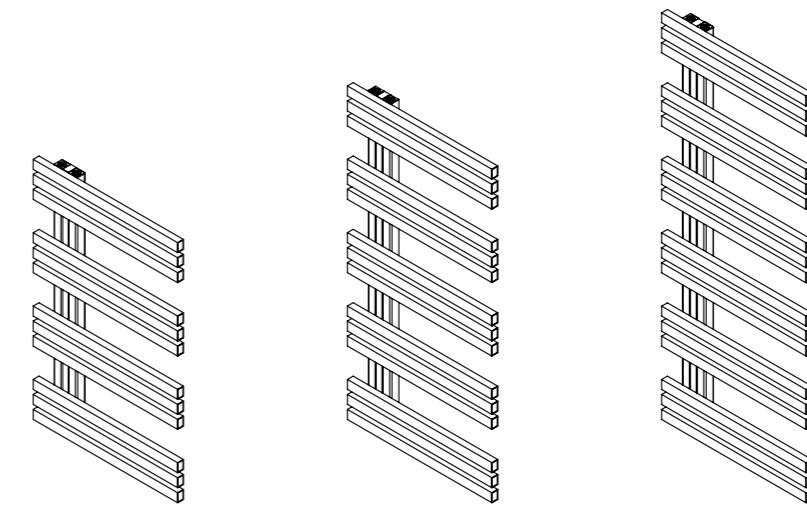
Bringing order to the chaos. Reassuringly strong, smooth steel bars in triplicate add serenity to any bathroom. Discover for yourself the compelling allure of the calm before the storm.

**T** Model shown: TMP105-S (brushed matt)

### TEMPEST

SS MATERIAL
10 WORKING PRESSURE
120°C WORKING TEMP.
O C OPEN/CLOSED SYSTEM
V MOUNT POSITION
20 YEARS WARRANTY

Product Name	Height (mm)	Length (mm)	Depth (mm)	Fuel Options (E/H/D)	Towel Gaps	Pipes or Sections	Heat Output (BTU/w) ΔT 50		E: Electric only Choice of Elements (Watts)		Finish S: Brushed Matt P: Polished
TMP805	780	500	60	E/H/D	3	12	1441	422	150	300	S, P
TMP105	1000	500	60	E/H/D	4	15	1810	530	300	400	S, P
TMP125	1220	500	60	E/H/D	5	18	2183	639	400	600	S, P





## TUBO

Quirky isn't the word. The fun combination of wide tubular rows connected to two slim columns is sure to please, and is versatile enough to suit any style of bathroom.

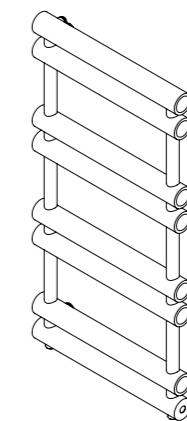
**T** Models shown: Opposite page: TUB508-S (brushed matt) Above Left: TUB506-P (polished)

### TUBO

SS MATERIAL   
 10 WORKING PRESSURE   
 120°C WORKING TEMP.   
 O C OPEN/CLOSED SYSTEM   
 V MOUNT POSITION   
 20 YEARS WARRANTY

Product Name	Height (mm)	Length (mm)	Depth (mm)	Fuel Options (E/H/D)	Towel Gaps	Pipes or Sections	Heat Output (BTU/w) ΔT 50		E: Electric only	Finish S: Brushed Matt P: Polished
									Choice of Elements (Watts)	
TUB506	705	500	60	E/H/D	2	12	1496	438	300	S, P
TUB508	990	500	60	E/H/D	3	16	1994	584	400	S, P
TUB510	1275	500	60	E/H/D	4	20	2493	730	400	S, P
TUB512	1560	500	60	E/H/D	5	24	2992	876	2x340	S, P

We recommend the 3 Bar Safety Valve for all ELECTRIC ONLY (E) products. Dual Fuel is possible either by use of "T" piece and radiator valve or by use of ONE850 or ONE851 (4 way valve)





## TUDOR

Quality fit for a King. This towel rail looks simple, but it has been carefully designed for maximum heating performance and capacity. Just don't lose your head deciding where to put it.

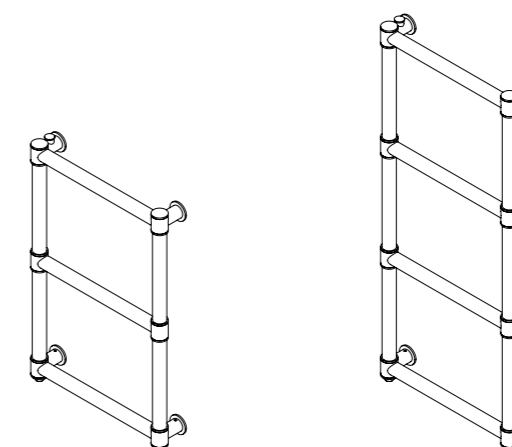
1 Model shown: Opposite page: TDR412-P (polished)

### TUDOR

SS MATERIAL   
 10 WORKING PRESSURE   
 120°C WORKING TEMP.   
 O C OPEN/CLOSED SYSTEM   
 V MOUNT POSITION   
 20 YEARS WARRANTY

Product Name	Height (mm)	Length (mm)	Depth (mm)	Fuel Options (E/H/D)	Towel Gaps	Pipes or Sections	Heat Output (BTU/w) ΔT 50		E: Electric only Choice of Elements (Watts)		Finish S: Brushed Matt P: Polished
TDR408	800	420	100	E/H/D	2	3	642	188	400		S, P
TDR412	1200	420	100	E/H/D	3	4	857	251	600		S, P
TDR508	800	520	100	E/H/D	2	3	693	203	400		S, P
TDR512	1200	520	100	E/H/D	3	4	926	271	400	600	S, P
TDR608	800	620	100	E/H/D	2	3	748	219	400	600	S, P
TDR612	1200	620	100	E/H/D	3	4	1001	293	400	600	S, P

We recommend the 3 Bar Safety Valve for all ELECTRIC ONLY (E) products. Dual Fuel is possible either by use of "T" piece and radiator valve or by use of ONE850 or ONE851 (4 way valve)



Call us on 01908 271155 or visit [www.aeon.uk.com](http://www.aeon.uk.com)



## WINDSOR

It's all about the detail in this exquisitely finished towel rail. And you don't have to be royalty to appreciate the warm, fluffy towels it produces at your merest command.

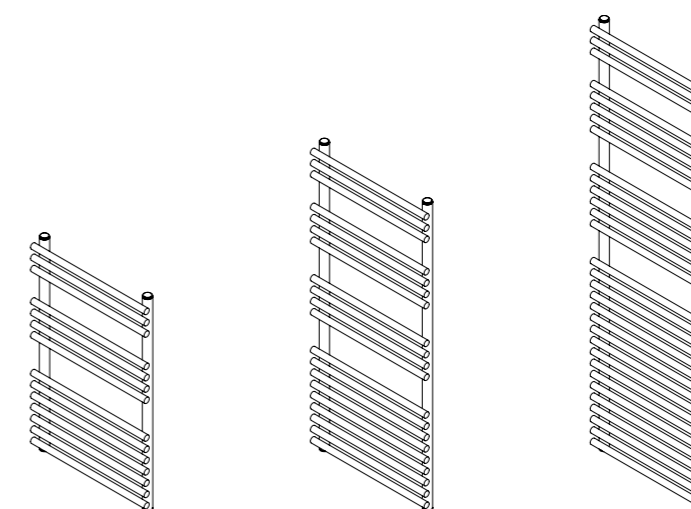
Models shown: Opposite page: WIN5W11-S (brushed matt) Above Left: WIN5W16-S (brushed matt)

### WINDSOR

SS MATERIAL   
 8 WORKING PRESSURE   
 120°C WORKING TEMP.   
 O C OPEN/CLOSED SYSTEM   
 V MOUNT POSITION   
 20 YEARS WARRANTY

Product Name	Height (mm)	Length (mm)	Depth (mm)	Fuel Options (E/H/D)	Towel Gaps	Pipes or Sections	Heat Output (BTU/w) ΔT 50		E: Electric only Choice of Elements (Watts)		Finish S: Brushed Matt P: Polished
WIN5W8	798	493	50	E/H/D	2	14	1288	377	300	400	S, P
WIN5W11	1150	493	50	E/H/D	3	20	1837	538	400		S, P
WIN5W16	1612	493	50	E/H/D	4	31	2705	792	400	600	S, P
WINEC (pair)											S, P

We recommend the 3 Bar Safety Valve for all ELECTRIC ONLY (E) products. Dual Fuel is possible either by use of "T" piece and radiator valve or by use of ONE850 or ONE851 (4 way valve)



Call us on 01908 271155 or visit [www.aeon.uk.com](http://www.aeon.uk.com)



## CLIPPER

Cutting-edge drama inspired by the barber's tool. Unique Twister technology produces alternating polished and brushed steel surfaces, while tapered ends double up as coat or towel hooks.

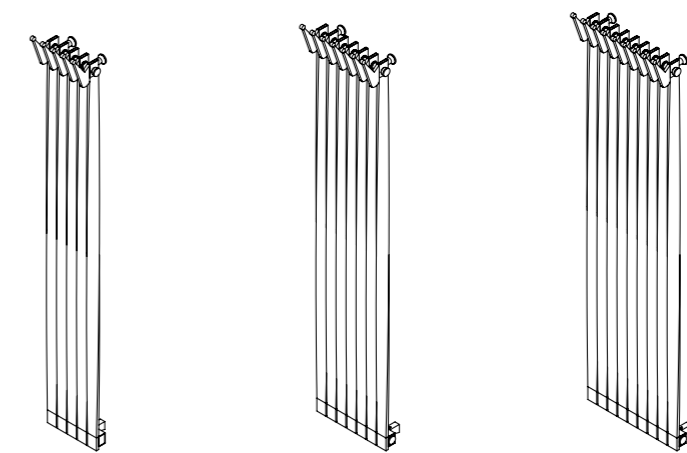
Model shown: Opposite page: CL1509

### CLIPPER

MATERIAL  
 WORKING PRESSURE  
 WORKING TEMP.  
 OPEN/CLOSED SYSTEM  
 MOUNT POSITION  
 WARRANTY

Product Name	Height (mm)	Length (mm)	Depth (mm)	Fuel Options (E/H/D)	Towel Gaps	Pipes or Sections	Heat Output (BTU/w) ΔT 50		E: Electric only Choice of Elements (Watts)		Finish S: Brushed Matt P: Polished
							7	9	340	400	
CL1505	1500	220	130	H	5	5	1728	506	H: Central Heating Only		Bi-Finish
CL1507	1500	310	130	E/H/D	7	7	2418	708	340	400	Bi-Finish
CL1509	1500	400	130	E/H/D	9	9	3118	913	340	400	Bi-Finish

We recommend the 3 Bar Safety Valve for all ELECTRIC ONLY (E) products. Dual Fuel is possible either by use of "T" piece and radiator valve or by use of ONE850 or ONE851 (4 way valve)





## GRANDEUR

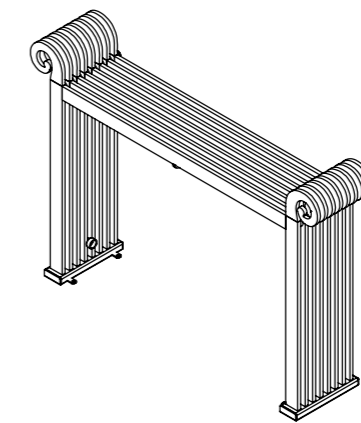
Perfect for an entrance hall or bathroom. Scrolled arms evoke the timeless beauty of the Renaissance period, resulting in a modern design with a classic twist.

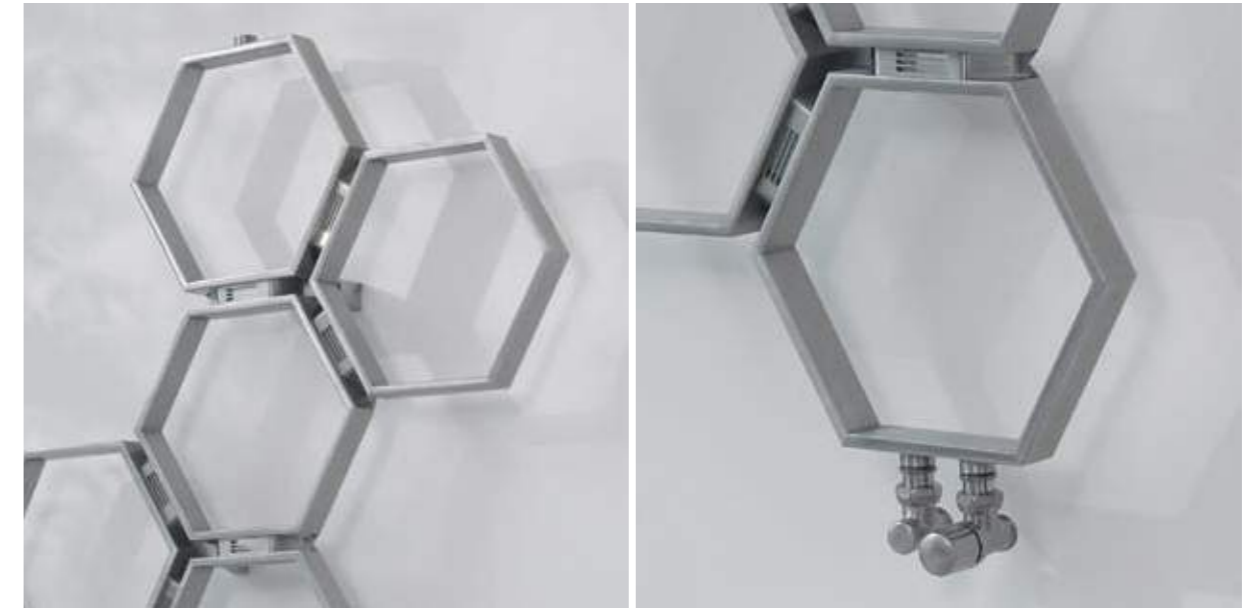
**R T** Model shown: Opposite page: GRA146-S (brushed matt)

### GRANDEUR

SS MATERIAL
10 WORKING PRESSURE
120°C WORKING TEMP.
O C OPEN/CLOSED SYSTEM
FS MOUNT POSITION
20 YEARS WARRANTY

Product Name	Height (mm)	Length (mm)	Depth (mm)	Fuel Options (E/H/D)	Pipes or Sections	Heat Output (BTU/w) ΔT 50		E: Electric only	Finish
								Choice of Elements (Watts)	S: Brushed Matt P: Polished
GRA106	660	965	210	H	26	4317	1264	H: Central Heating Only	S, P
GRA126	660	1215	210	H	26	4977	1457	H: Central Heating Only	S, P
GRA146	660	1415	210	H	26	5506	1612	H: Central Heating Only	S, P
GRA176	660	1715	210	H	26	6302	1845	H: Central Heating Only	S, P
GRA206	660	2030	210	H	26	7135	2089	H: Central Heating Only	S, P





## HONEYCOMB

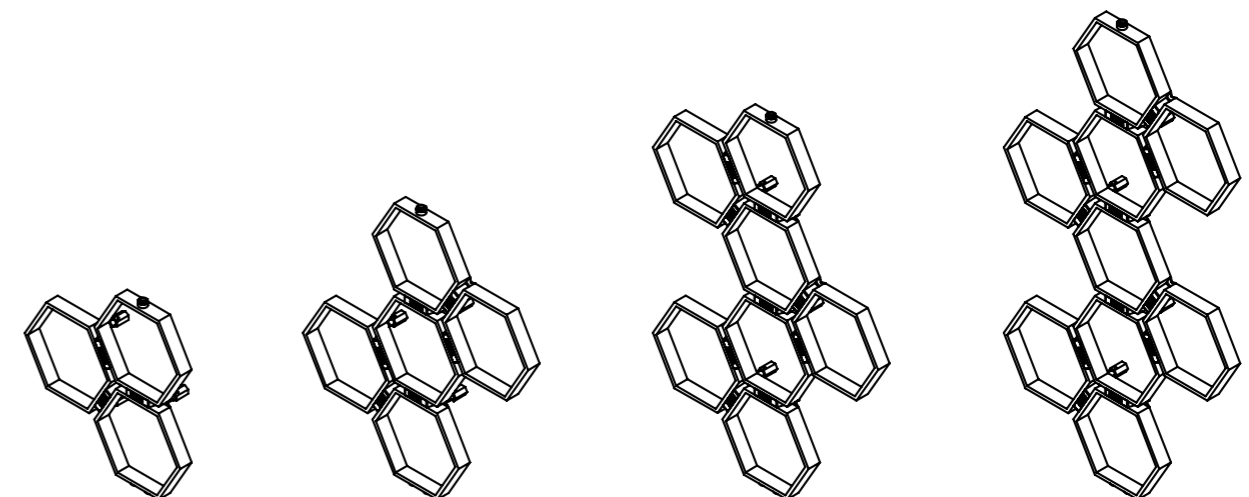
Create a buzz. This hexagonal design evokes a cheerful, fun-loving mood, bringing the wonderful world of nature indoors. Add customised glass or stone inserts for a truly organic feel.

Model shown: Opposite page: HON9-S (brushed matt)

### HONEYCOMB

MATERIAL  
 WORKING PRESSURE  
 WORKING TEMP.  
 OPEN/CLOSED SYSTEM  
 MOUNT POSITION  
 WARRANTY

Product Name	Height (mm)	Length (mm)	Depth (mm)	Fuel Options (E/H/D)	Towel Gaps	Pipes or Sections	Heat Output (BTU/w) ΔT 50		E: Electric only	Finish
							Choice of Elements (Watts)	H: Central Heating Only	S: Brushed Matt P: Polished	
HON3	580	550	40	H	3	18	666	195	H: Central Heating Only	S, P
HON5	840	785	40	H	5	30	1110	325	H: Central Heating Only	S, P
HON7	1120	785	40	H	7	42	1554	455	H: Central Heating Only	S, P
HON9	1400	785	40	H	9	63	1998	585	H: Central Heating Only	S, P





## STAINLESS STEEL: FLAWLESS FINISH

Why choose stainless steel for domestic heating systems? Because its properties are ideal for creating long-lasting, highly effective, beautiful radiators and heated towel rails. Why choose AEON's stainless steel? Because we make sure we use top quality grades that ensure the longest life possible for our range of products.

Invented in Sheffield, England in the early 20th century, stainless steel is non-corrosive, easily maintained, hygienic and versatile. It is strong and durable, thus resisting peeling, flaking and discolouration. The inevitable minor scratches, dirt and marks that come with day-to-day living are easily eliminated with the AEON Care Pack. What's more, stainless steel is always fashionable, with its contemporary, sleek appearance and sensuous feel.



## ZENITH

This tactile towel rail may give you ideas above your station as it gently warms your towels to keep out the cold. Simply designed; superbly engineered.

**i** Model shown: ZEN105-S (brushed matt)

### ZENITH

SS MATERIAL
10 WORKING PRESSURE
120°C WORKING TEMP.
O C OPEN/CLOSED SYSTEM
V MOUNT POSITION
20 YEARS WARRANTY

Product Name	Height (mm)	Length (mm)	Depth (mm)	Fuel Options (E/H/D)	Towel Gaps	Pipes or Sections	Heat Output (BTU/w) ΔT 50		E: Electric only Choice of Elements (Watts)		Finish S: Brushed Matt P: Polished
ZEN64	560	380	40	E/H/D	2	9	502	147	90	150	S, P
ZEN104	1000	380	40	E/H/D	4	15	837	245	150	300	S, P
ZEN124	1200	380	40	E/H/D	4	18	1004	294	300	400	S, P
ZEN154	1500	380	40	E/H/D	5	21	1171	343	300	400	S, P
ZEN65	560	480	40	E/H/D	2	9	611	179	150	300	S, P
ZEN105	1000	480	40	E/H/D	4	15	1018	298	300	400	S, P
ZEN125	1200	480	40	E/H/D	4	18	1223	358	300	400	S, P
ZEN155	1500	480	40	E/H/D	5	21	1424	417	400	600	S, P

We recommend the 3 Bar Safety Valve for all ELECTRIC ONLY (E) products. Dual Fuel is possible either by use of "T" piece and radiator valve or by use of ONE850 or ONE851 (4 way valve)

## PETIT

Small is beautiful. This attractively proportioned towel rail can grace the most bijoux of bathrooms and comes with an impressive heat output.

**i** Model shown: PET46-S (brushed matt)



### PETIT

SS MATERIAL
10 WORKING PRESSURE
120°C WORKING TEMP.
O C OPEN/CLOSED SYSTEM
V MOUNT POSITION
20 YEARS WARRANTY

Product Name	Height (mm)	Length (mm)	Depth (mm)	Fuel Options (E/H/D)	Towel Gaps	Pipes or Sections	Heat Output (BTU/w) ΔT 50		E: Electric only Choice of Elements (Watts)		Finish S: Brushed Matt P: Polished
PETS46	420	600	50	E/H/D	3	8	716	210	90	150	S, P

We recommend the 3 Bar Safety Valve for all ELECTRIC ONLY (E) products. Dual Fuel is possible either by use of "T" piece and radiator valve or by use of ONE850 or ONE851 (4 way valve)



## MAZE

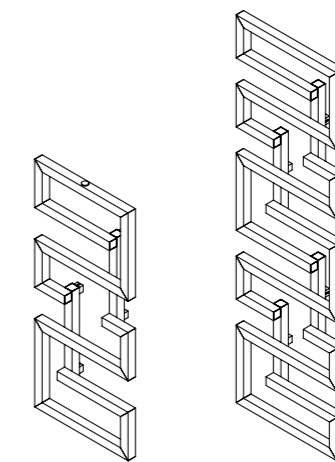
Maze takes the current trend for square profile stainless steel heating bars to a new dimension with its abstract, geometric pattern that complements the clean lines of contemporary interiors.

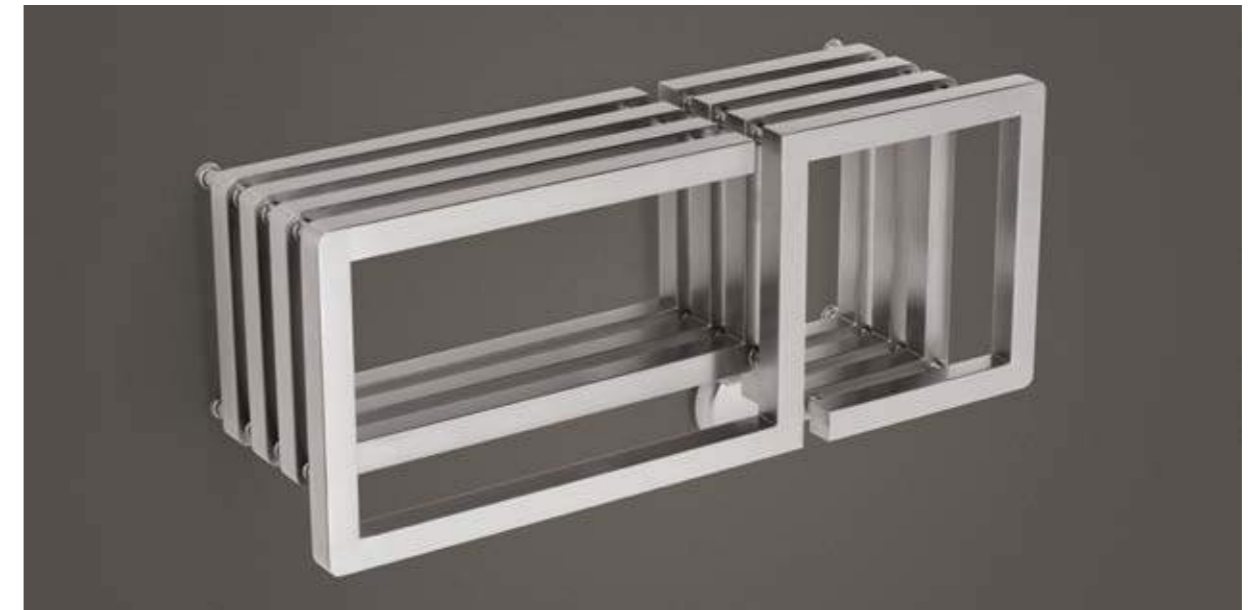
**i** Model shown: Opposite page: MAZ1855-S (brushed matt)

### MAZE

SS MATERIAL
10 WORKING PRESSURE
120°C WORKING TEMP.
O C OPEN/CLOSED SYSTEM
V MOUNT POSITION
20 YEARS WARRANTY

Product Name	Height (mm)	Length (mm)	Depth (mm)	Fuel Options (E/H/D)	Heat Output (BTU/w) ΔT 50		E: Electric only	Finish S: Brushed Matt P: Polished
							Choice of Elements (Watts)	
MAZ1250	1150	500	80	H	1069	313	H: Central Heating Only	S, P
MAZ1855	1800	540	80	H	2114	619	H: Central Heating Only	S, P





## S-TYPE

More than meets the eye. Not only can this fabulous design hang vertically or horizontally to heat your bathroom, it is also a highly practical towel rail and airing shelf.

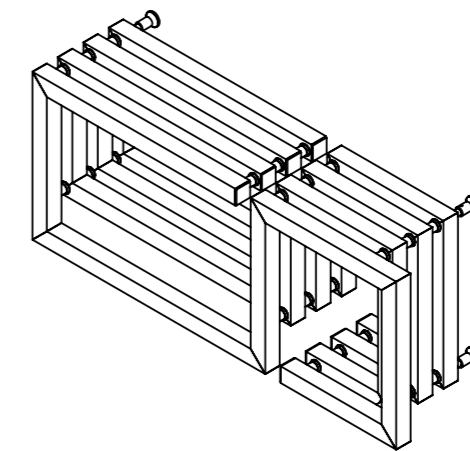
**T** Model shown: Opposite page and above: STY100-S (brushed matt)

### S-TYPE

SS MATERIAL
10 WORKING PRESSURE
120°C WORKING TEMP.
O C OPEN/CLOSED SYSTEM
V H MOUNT POSITION
20 YEARS WARRANTY

Product Name	Height (mm)	Length (mm)	Depth (mm)	Fuel Options (E/H/D)	Towel Gaps	Pipes or Sections	Heat Output (BTU/w) ΔT 50		E: Electric only	Finish S: Brushed Matt P: Polished
									Choice of Elements (Watts)	
STY100	400	1000	250	E/H/D	4	28	3093	907	600	S, P
STY130	500	1350	250	E/H/D	4	28	3819	1120	900	S, P

We recommend the 3 Bar Safety Valve for all ELECTRIC ONLY (E) products. Dual Fuel is possible either by use of "T" piece and radiator valve or by use of ONE850 or ONE851 (4 way valve)





## BOSPORUS

A new take on ladder-style heating. Airing shelf offers maximum convenience, while the bold design ensures a strong visual impact. Best of both worlds.

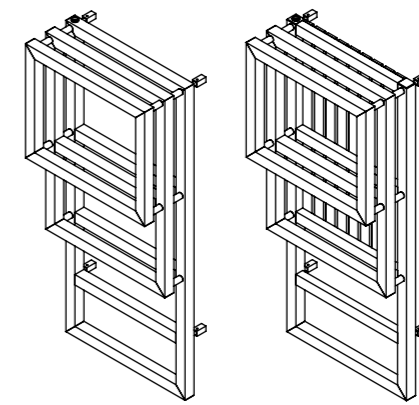
**T B** Models shown: Opposite page: BOS125-S (brushed matt) Above Left: BOSZ125-S (brushed matt)

### BOSPORUS

SS MATERIAL   
 10 WORKING PRESSURE   
 120°C WORKING TEMP.   
 O C OPEN/CLOSED SYSTEM   
 V MOUNT POSITION   
 20 YEARS WARRANTY

Product Name	Height (mm)	Length (mm)	Depth (mm)	Fuel Options (E/H/D)	Towel Gaps	Pipes or Sections	Heat Output (BTU/w) ΔT 50		E: Electric only Choice of Elements (Watts)		Finish S: Brushed Matt P: Polished
							2148	630	400	600	
BOS125	1200	530	220	E/H/D	4	15	2148	630	400	600	S, P
BOSZ125	1200	530	220	E/H/D	4	24	4338	1272	600	900	S, P

We recommend the 3 Bar Safety Valve for all ELECTRIC ONLY (E) products. Dual Fuel is possible either by use of "T" piece and radiator valve or by use of ONE850 or ONE851 (4 way valve)





## BOLERO

Reminiscent of its passionate Latino namesake. Contemporary design blends bold, angular columns with curvaceous tubular bars. Perfect marriage of performance and beauty.

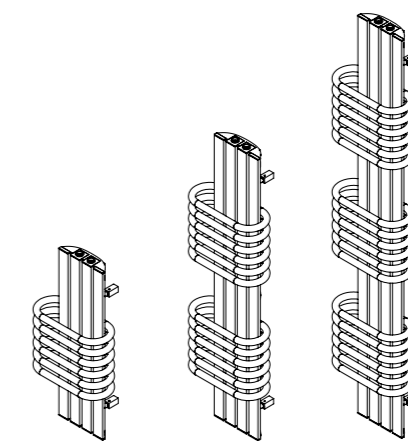
Model shown: Opposite page: BOL2-S (brushed matt) Above: BOL3-S (brushed matt)

### BOLERO

SS MATERIAL  
10 WORKING PRESSURE  
120°C WORKING TEMP.  
O C OPEN/CLOSED SYSTEM  
V MOUNT POSITION  
20 YEARS WARRANTY

Product Name	Height (mm)	Length (mm)	Depth (mm)	Fuel Options (E/H/D)	Towel Gaps	Pipes or Sections	Heat Output (BTU/w) ΔT 50		E: Electric only Choice of Elements (Watts)		Finish S: Brushed Matt P: Polished
							7	9	300	400	
BOL1	630	300	150	E/H/D	1	10	1794	526	300	400	S, P
BOL2	1060	300	150	E/H/D	2	16	3311	971	400	600	S, P
BOL3	1500	300	150	E/H/D	3	22	4839	1419	600	900	S, P

We recommend the 3 Bar Safety Valve for all ELECTRIC ONLY (E) products. Dual Fuel is possible either by use of "T" piece and radiator valve or by use of ONE850 or ONE851 (4 way valve)





# GALLANT

Boutique chic. This elegant design offers practicality without sacrificing style. Add up to three towel rungs to ensure it meets your requirements.

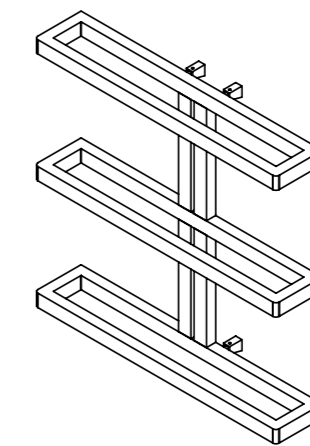
**i** Model shown: Opposite page: GA807-S (brushed matt)

## GALLANT

SS MATERIAL
10 WORKING PRESSURE
120°C WORKING TEMP.
O C OPEN/CLOSED SYSTEM
V MOUNT POSITION
20 YEARS WARRANTY

Product Name	Height (mm)	Length (mm)	Depth (mm)	Fuel Options (E/H/D)	Towel Gaps	Pipes or Sections	Heat Output (BTU/w) ΔT 50		E: Electric only Choice of Elements (Watts)		Finish S: Brushed Matt P: Polished
							2169	635	400	600	
GA807	750	780	150	E/H/D	3	17	2169	635	400	600	S, P

We recommend the 3 Bar Safety Valve for all ELECTRIC ONLY (E) products. Dual Fuel is possible either by use of "T" piece and radiator valve or by use of ONE850 or ONE851 (4 way valve)





## GALLIPOLI

Timeless beauty meets Turkish bathing in this practical, high performance radiator with a choice of one, two or three integrated towel bars. Functional and fabulous.

Models shown: Opposite page: GALL-3 Above left: GALL-2 Above right: GALL-1

### GALLIPOLI

MATERIAL  
 WORKING PRESSURE  
 WORKING TEMP.  
 OPEN/CLOSED SYSTEM  
 MOUNT POSITION  
 WARRANTY

Product Name	Height (mm)	Length (mm)	Depth (mm)	Fuel Options (E/H/D)	Towel Gaps	Pipes or Sections	Heat Output (BTU/w) ΔT 50		E: Electric only Choice of Elements (Watts)		Finish S: Brushed Matt P: Polished
GALL-1	914	490	170	E/H/D	1	10	2172	636	400	600	S, P
GALL-2	1204	490	170	E/H/D	2	11	2606	763	600	900	S, P
GALL-3	1494	490	170	E/H/D	3	12	3040	890	600	900	S, P

We recommend the 3 Bar Safety Valve for all ELECTRIC ONLY (E) products. Dual Fuel is possible either by use of "T" piece and radiator valve or by use of ONE850 or ONE851 (4 way valve)





## COFFER

Stunning geometric form, reminiscent of childhood mazes. Hang the polished geometric shapes vertically or horizontally for a display that heats the room and excites the eye.

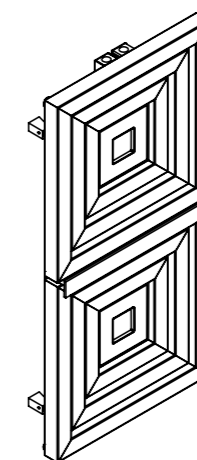
**R T** Model shown: Opposite page: COF490-P (polished)

### COFFER

**SS** MATERIAL **10** WORKING PRESSURE **120°C** WORKING TEMP. **O C** OPEN/CLOSED SYSTEM **V H** MOUNT POSITION **20 YEARS** WARRANTY

Product Name	Height (mm)	Length (mm)	Depth (mm)	Fuel Options (E/H/D)	Towel Gaps	Pipes or Sections	Heat Output (BTU/w) ΔT 50		E: Electric only Choice of Elements (Watts)		Finish S: Brushed Matt P: Polished
							2965	868	400	600	
COF490	890	440	70	E/H/D	1	32	2965	868	400	600	S, P
COF511	1090	540	70	E/H/D	1	40	4058	1188	400	600	S, P

We recommend the 3 Bar Safety Valve for all ELECTRIC ONLY (E) products. Dual Fuel is possible either by use of "T" piece and radiator valve or by use of ONE850 or ONE851 (4 way valve)





### TECHNIQUES OF THE TRADE

Far more than simple heating devices, the AEON range of luxury radiators and heated towel rails has been designed and developed using state-of-the-art production techniques that combine beauty with heating efficiency and durability. For example, all our products are welded using a Tungsten Inert Gas (TIG) welding technique, which results in joints that are equally as strong as the main body of the radiator.

Another technique we are particularly proud of allows us to create stunning bars that have been twisted uniformly, creating a line of alternating brushed and polished steel surfaces. A special twisting machine allows us to manipulate stainless steel poles of almost any length and size to create a vertical or horizontal design with up to three twists per line. What a head turner.



## F-BAR

This towel rail provides a simple way to keep towels warm while you're in the bath. Plenty of room to hang them; plenty of style to frame them beautifully.

Model shown: FBA404S

### F-BAR

Product Name	Height (mm)	Length (mm)	Depth (mm)	Fuel Options (E/H/D)	Towel Gaps	Pipes or Sections	Heat Output (BTU/w) ΔT 50		E: Electric only Choice of Elements (Watts)		Finish S: Brushed Matt P: Polished
							891	261	90	150	
FBA404	440	450	250	E/H/D	3	5	891	261	90	150	S, P

We recommend the 3 Bar Safety Valve for all ELECTRIC ONLY (E) products. Dual Fuel is possible either by use of "T" piece and radiator valve or by use of ONE850 or ONE851 (4 way valve)

## T-BAR

Designed with smaller spaces in mind, this functional towel rail with multiple rungs incorporates plenty of space to warm towels, while the design is pleasingly different.

Model shown: TBA404P



### T-BAR

Product Name	Height (mm)	Length (mm)	Depth (mm)	Fuel Options (E/H/D)	Towel Gaps	Pipes or Sections	Heat Output (BTU/w) ΔT 50		E: Electric only Choice of Elements (Watts)		Finish S: Brushed Matt P: Polished
							891	261	90	150	
TBA404	440	460	250	E/H/D	3	5	891	261	90	150	S, P

We recommend the 3 Bar Safety Valve for all ELECTRIC ONLY (E) products. Dual Fuel is possible either by use of "T" piece and radiator valve or by use of ONE850 or ONE851 (4 way valve)



## TIRENDAZ

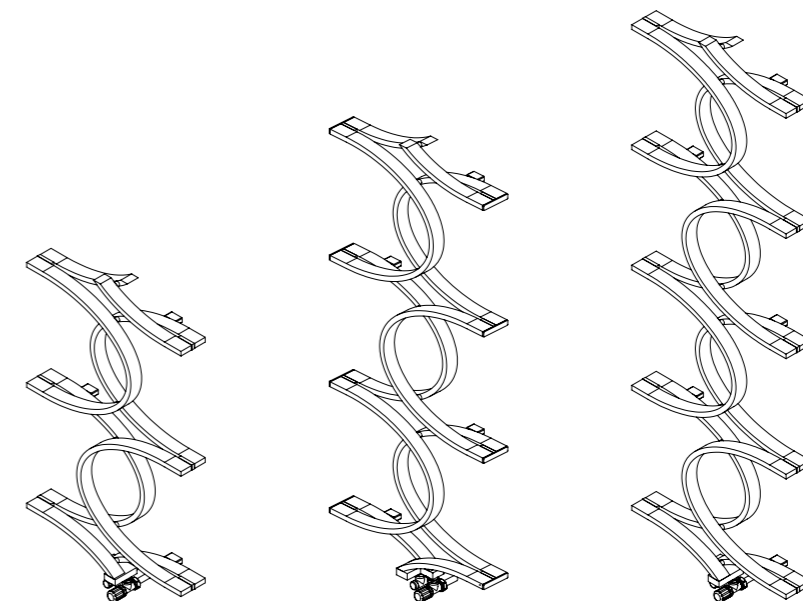
This elegant 'Turkish delight' is named after the power and accuracy of historical Ottoman archers and inspired by retro designs that show off the symmetry of the perfect curves and relaxing vibe.

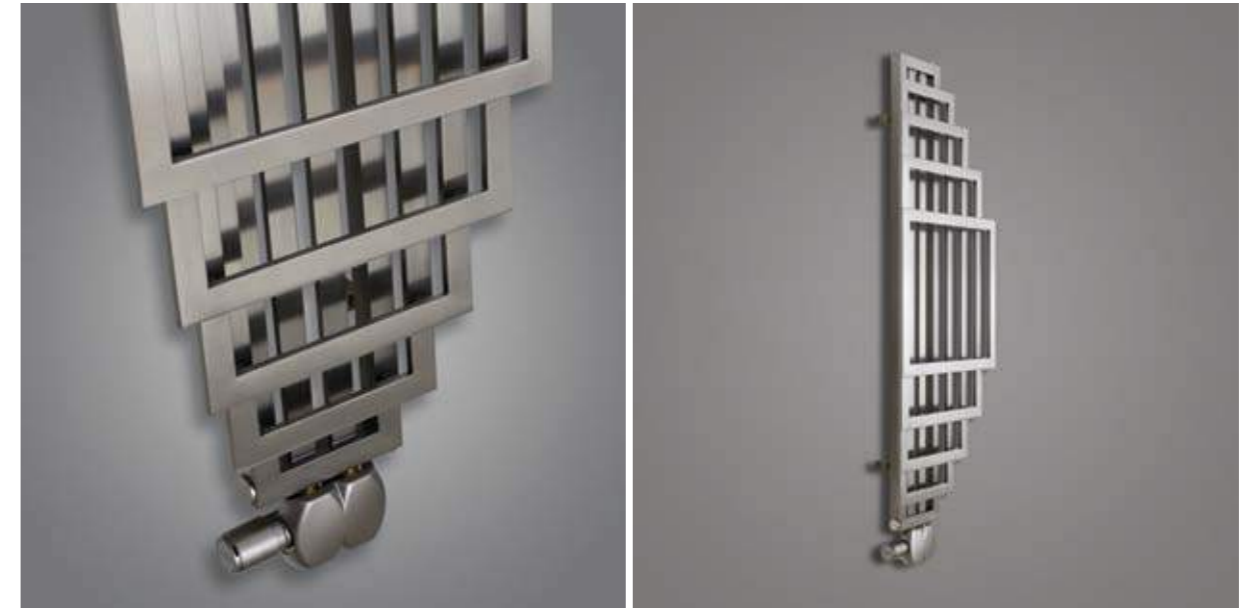
① Opposite page: TRZ613-10-S (brushed matt) Above right: TRZ613-10-G (satin gold)

### TIRENDAZ

SS MATERIAL
10 WORKING PRESSURE
120°C WORKING TEMP.
O C OPEN/CLOSED SYSTEM
V MOUNT POSITION
20 YEARS WARRANTY

Product Name	Height (mm)	Length (mm)	Depth (mm)	Fuel Options (E/H/D)	Towel Gaps	Pipes or Sections	Heat Output (BTU/w) ΔT 50		E: Electric only	Finish S: Brushed Matt G: Satin Gold
									Choice of Elements (Watts)	
TRZ609-8	930	570	115	H	4	8	1134	332	H: Central Heating Only	S, G
TRZ613-10	1315	570	115	H	6	10	1506	441	H: Central Heating Only	S, G
TRZ617-12	1700	570	115	H	8	12	1899	556	H: Central Heating Only	S, G





## PODIUM

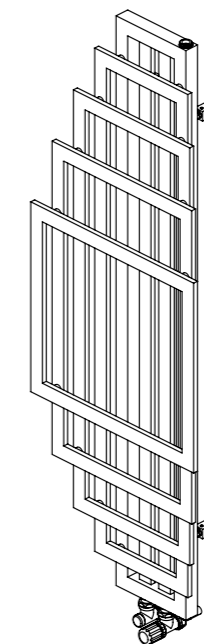
A design worthy of winning gold, silver and bronze. This unusual, yet highly pleasing combination of squares and vertical lines really draws the eye and soothes the soul.

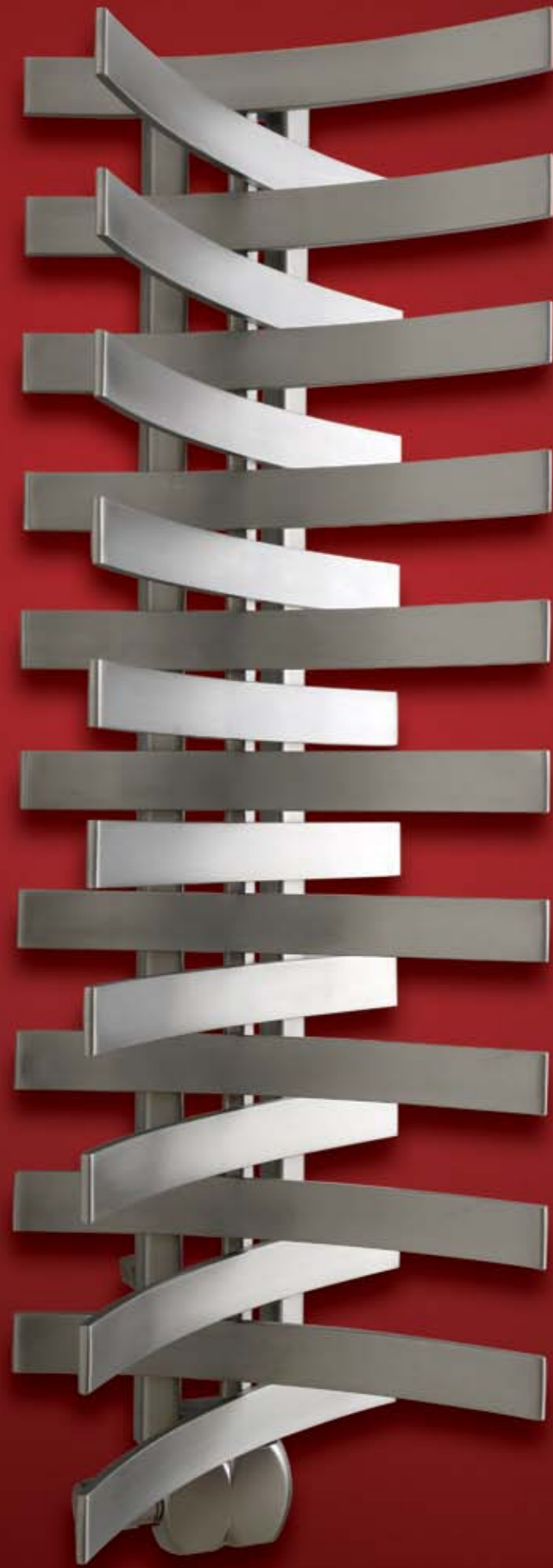
Model shown: POD412-S (brushed matt)

### PODIUM

SS MATERIAL
10 WORKING PRESSURE
120°C WORKING TEMP.
O C OPEN/CLOSED SYSTEM
V MOUNT POSITION
20 YEARS WARRANTY

Product Name	Height (mm)	Length (mm)	Depth (mm)	Fuel Options (E/H/D)	Towel Gaps	Pipes or Sections	Heat Output (BTU/w) ΔT 50		E: Electric only Choice of Elements (Watts)		Finish S: Brushed Matt P: Polished
							2288	670	300	400	
POD412	1200	400	130	E/H/D	8	22	2288	670	300	400	S, P





# SKUALL

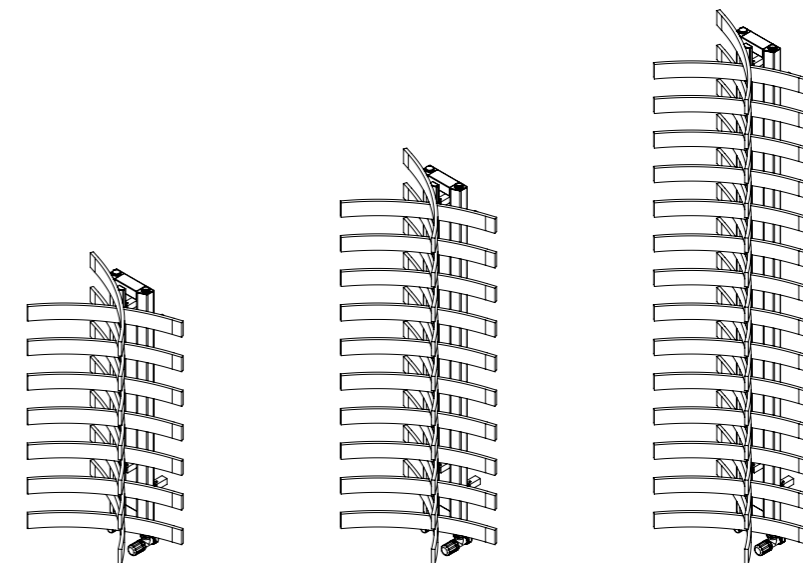
Watch as the light dances across the crossing curves of this stunning design. The perfect way to bring any bathroom to life and add a touch of class.

Model shown: SKL123-20-S (brushed matt)

## SKUALL

SS MATERIAL
10 WORKING PRESSURE
120°C WORKING TEMP.
O C OPEN/CLOSED SYSTEM
V MOUNT POSITION
20 YEARS WARRANTY

Product Name	Height (mm)	Length (mm)	Depth (mm)	Fuel Options (E/H/D)	Towel Gaps	Pipes or Sections	Heat Output (BTU/w) ΔT 50		E: Electric only Choice of Elements (Watts)		Finish S: Brushed Matt P: Polished
SKL083-13	770	370	260	E/H/D	12	13	1602	469	300	400	S, P
SKL123-20	1190	370	260	E/H/D	19	20	2449	717	400	600	S, P
SKL163-27	1610	370	260	E/H/D	26	27	3337	977	600	900	S, P





## DELIVERY AND RECEIPT OF YOUR GOODS

Do not book your plumber until goods have been delivered and checked.

### Date of delivery

For items in stock a suitable delivery date should be arranged at time of order.

For out-of-stock items, an estimated delivery time will be stated on the invoice/receipt.

Please note that the estimated delivery date does not form part of the contract.

### Time of delivery

Standard service is any time between 9am and 5pm. Timed deliveries can be made but at an extra cost.

In some instances it may therefore be more convenient to have items delivered to a work address where someone is present to sign for them. In the unlikely event that goods do not arrive before 5pm (for standard service, or the relevant time for a timed delivery), please let us know the following or same day.

### Meeting the delivery

Someone will need to be at the delivery address on the day of delivery.

Outside packaging should be inspected before signing the delivery note\*. If there is no-one available to sign for delivery, arrangements will be made to re-deliver at an additional cost to the customer.

\*If parcels are damaged or have been tampered with in any way they should not be signed for unless marked 'DAMAGED' or 'SHORT DELIVERED'.

No claim for damage in transit or shortage will be accepted if signed for 'RECEIVED IN GOOD CONDITION' or 'UNCHECKED' or 'NOT EXAMINED'.

Please note that, due to Health and Safety legislation, the driver is only allowed to deliver radiators to the nearest hard standing (pavement or driveway) and is not required to carry the radiators up any steps.

Where a radiator is too large or heavy for one man to handle safely, please ensure someone is available at the delivery address to assist the driver.

### Within 24 hours of receiving radiators

Please unwrap and thoroughly inspect goods. Any visible fault or imperfection (or missing parts) must be reported to Aeon within one working day (24 hours) of receipt to enable us to send a replacement, otherwise goods shall be deemed to be acceptable.

A content sheet will be enclosed in the box with the radiator to enable you to check that all parts are present.

In the unlikely event that your radiator is visibly faulty, please ensure that you retain all the original packaging. We cannot accept back any radiator on the grounds of visible damage or visible fault if it has been plumbed in.

### Pipe centres

We can provide information on the exact position of pipework for any of our radiators.

This means the pipework can be installed before you receive your radiators. Please call if you require these measurements.



## QUALITY AND PERFORMANCE

### Quality and technology

Aeon towel radiators are manufactured using the most technically advanced, modern equipment and tested to EN442, the harmonised European Standard.

### Testing and heating emission

Prior to despatch, every radiator is pressure tested at 10 bars to guarantee a working pressure of 8 bars.

Heat outputs in this brochure are certified by the independent testing authority – HKL Laboratories of Stuttgart in Germany.

### Certification

Aeon radiators carry the BS kitemark, which certifies independent approval of heat output to BS EN442 and verifies production under BS ISO 9000 quality system.

### Energy and environment

The efficient use of energy and materials is a constant objective of Aeon and a highly qualified team of design and production engineers constantly reviews opportunities for improvement.

### Water treatment

The manufacturer's warranty will only be valid if radiators are installed in accordance with BS 5449 section 5 'Commissioning'.

Please call for further Aeon terms and conditions of sale.

### The Aeon Collection

All the products are manufactured out of 100% stainless steel\* ensuring that the Aeon Collection will keep their good looks for as long as the name suggests.

Our commitment to quality is backed by a 20-year warranty for the stainless steel collection and 10-year warranty for the aluminium collection.

Radiators are supplied with brackets, blanking plugs, airvents, fixing screws, rawl plugs, airvent key and 1/2" connections.

\* Not applicable to Rende (mild steel core)

Heat output listed in this brochure as 75/65/20°C with Delta T of 50°C, means 75°C inlet water temperature, 65°C outlet water temperature and 20°C room temperature.

Aeon stainless steel radiators can be used in both direct (open circuit) and indirect (closed circuit) applications. Open systems are supplied by special order only at a small additional cost. Closed systems are available from stock.

Radiators are finished in brushed satin chrome stainless steel with no coating or treatment.

### Aeon policy

Ownership and property rights of the designs in this publication belong to Aeon and are registered in the UK and major trade mark and design registry offices worldwide.

The complete Aeon range is not limited to the content of this brochure, additional products launched between publications will appear on our website: [www.aeon.uk.com](http://www.aeon.uk.com)





Aeon UK Distributors

Pitacs Group

Bradbourne Point, Bradbourne Drive

Tilbrook, Milton Keynes

Buckinghamshire MK7 8AT

United Kingdom

Tel: 01908 271155

Fax: 01908 640017

Email: [aeon@pitacs.com](mailto:aeon@pitacs.com)

[www.aeon.uk.com](http://www.aeon.uk.com)