



**ULTRAHEAT**

Premier Range

**RADIATORS AND  
HEATED TOWEL RAILS**

2016



**HEATED TOWEL RAILS 4 - 11**



**CHELMSFORD**  
 ARCHED  
 EHD T > 4



**CHELMSFORD**  
 STRAIGHT  
 EHD T > 4



**ECO-RAIL**  
 EHD T > 6



**KARNAK**  
 EHD T > 9



**PETIT**  
 EHD T > 7



**POPLAR**  
 EHD T > 10



**PORTOFINO**  
 EHD T > 11



**WINDSOR**  
 EHD T > 8

**DESIGNER RADIATORS 12 - 37**



**BUCKINGHAM**  
 H Rt > 12



**COLUMN**  
 H Rt > 14-19



**HAMPTON**  
 H Rt > 27



**IMPERIUM**  
 EHD R > 37



**KENSINGTON**  
 H Rt > 20



**KLON**  
 HORIZONTAL  
 EHD R > 22



**KLON**  
 VERTICAL  
 EHD R > 23



**LINEAR**  
 HORIZONTAL  
 EHD R > 25



DESIGNER RADIATORS 12 - 37



LINEAR  
VERTICAL

E H D R > 24



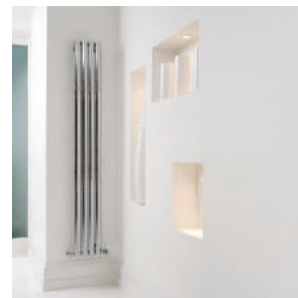
LINEAR  
O

H R > 27



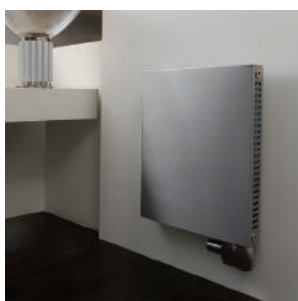
SOFI  
HORIZONTAL

E H D R > 28



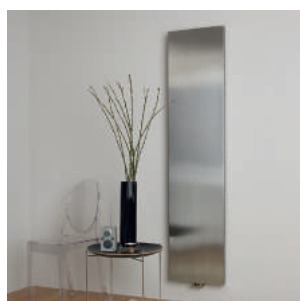
SOFI  
VERTICAL

E H D R > 29



SOVRAN  
HORIZONTAL

H R > 32



SOVRAN  
VERTICAL

H R > 30



TILBROOK

E H D R > 34



TROJAN

E H D R > 36

PANEL RADIATORS 38 - 53



COMPACT 4

H R > 38



LANNER  
HORIZONTAL

E H D R > 52



LANNER  
VERTICAL

E H D R > 53



LSORAD

E H D R > 50



PLANAL  
HORIZONTAL

H R > 40



PLANAL  
VERTICAL

H R > 46

- Valves & Accessories > 54
- Quality & Heat Loss > 59
- Terms & Conditions > 60
- Delivery > 61

- Electric only **E**
- Hot water systems only **H**
- Dual fuel **D**
- Radiator **R**
- Radiator & Heated Towel Rail **R T**
- Heated Towel Rail **T**



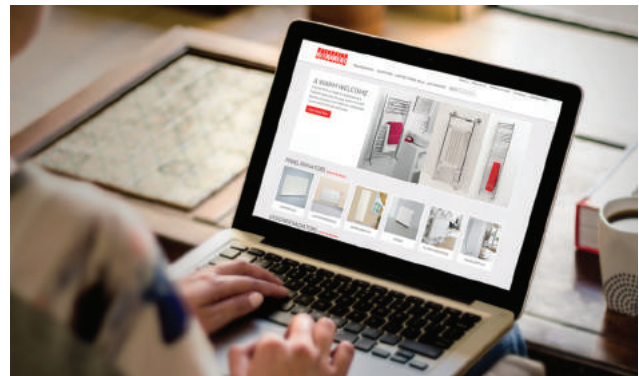
FAST DELIVERY WORLDWIDE  
CALL 01908 271155



STATE-OF-THE-ART  
DISTRIBUTION CENTRE



PRECISION ENGINEERING  
AT THE ULTRAHEAT FACTORY



FOR MORE INFORMATION, VISIT  
[WWW.ULTRAHEAT.CO.UK](http://WWW.ULTRAHEAT.CO.UK)

PITACS

ULTRAHEAT IS THE HEATING DIVISION OF  
THE PITACS GROUP



QUALITY CERTIFIED TO BRITISH  
AND EUROPEAN STANDARD

**ULTRAHEAT**

Premier Range

© Pitacs Ltd 2016

Ownership and intellectual property rights of the designs in this publication belong to Pitacs Ltd. and are registered in the UK and major trademark and design registry offices worldwide. Brochure printed February 2016.

Design by 301.co.uk



## A WARM WELCOME FROM



**ULTRAHEAT**

Premier Range

There's no place like home. Especially when it makes us feel warm and cosy. Reliable heating is vital to our domestic contentment. Which is why the emphasis is firmly on performance across the whole Ultraheat range. Our attractive radiators and towel rails have been designed to fit with our customers' needs and to offer great value for money. We aim to stay ahead of the market, anticipating what consumers will be looking for, and reacting quickly to changing trends in domestic heating and design.

We pride ourselves on our hard-earned reputation for high quality engineering and exacting quality standards and believe that this is what has made Ultraheat the professionals' choice for many years.

Ultraheat is the UK's largest 'in-stock' range of radiators and towel rails for immediate delivery. They are carefully designed and created from quality mild steel and polished to a mirror finish. Our products combine beauty with effective, responsive heating.



### *A warm welcome...*

Chelmsford is a range of contemporary heated towel rails for kitchens and bathrooms. With premium quality 25mm tubes, it provides an unbeatable combination of style and value.

MODELS SHOWN: ABOVE: 6MAC7 RIGHT: 4MC12  
BELOW: 5MA11

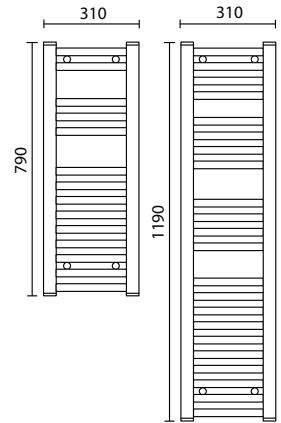




## CHELMSFORD STRAIGHT

RAL 9016 CHROME WORKING PRESSURE WORKING TEMP. CLOSED SYSTEM MOUNT POS. 5 YEARS WARRANTY

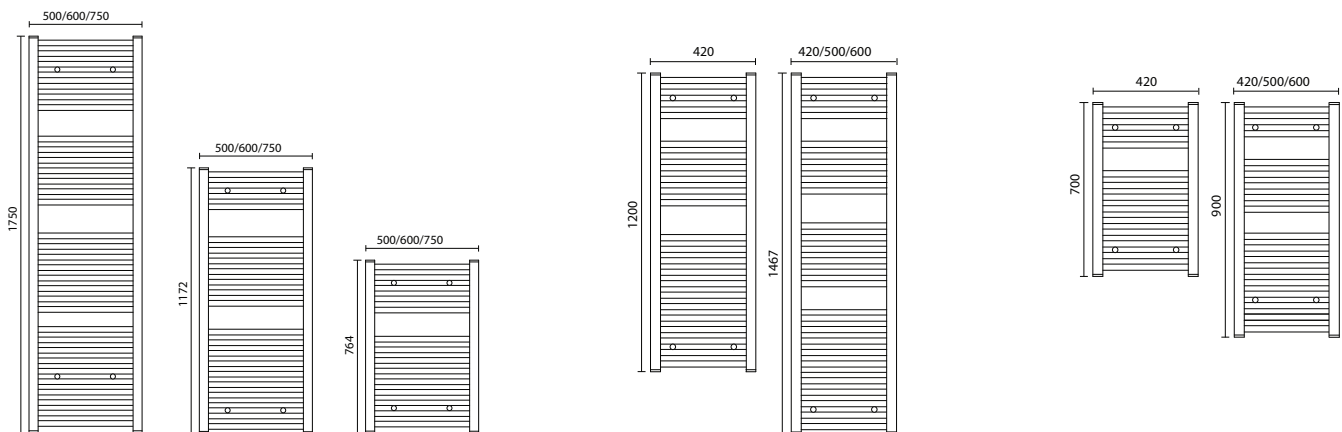
Product Name	Height mm	Length mm	Depth mm	Pipe Centres mm	Wall to Pipe Centre mm	Wall to Face mm	Water Content lt	Gross Weight kg	Fuel Options E/H/D	Towel Gaps	Heat Output ΔT 50		Finish	
											BTU	Watts	White W	Chrome C
3M8	790	310	30	270	70-80	85-95	2.7	5.6	E/H/D	2	1007	295	✓	✓
3M12	1195	310	30	270	70-80	85-95	4.1	8.2	E/H/D	3	1509	442	✓	✓
4M7	700	420	30	380	70-80	85-95	3.0	6.2	E/H/D	1	1059	310	✓	✓
4M9	900	420	30	380	70-80	85-95	3.8	7.7	E/H/D	2	1363	399	✓	✓
4M12	1200	420	30	380	70-80	85-95	5.3	10.6	E/H/D	2	1892	554	✓	✓
4M15	1467	420	30	380	70-80	85-95	6.2	12.3	E/H/D	3	2220	650	✓	✓
5M7	764	500	30	460	70-80	85-95	3.8	7.6	E/H/D	1	1124	329	✓	✓
5M9	900	500	30	460	70-80	85-95	4.3	8.8	E/H/D	2	1339	392	✓	✓
5M11	1172	500	30	460	70-80	85-95	5.7	11.3	E/H/D	2	1964	575	✓	✓
5M15	1467	500	30	460	70-80	85-95	7.1	14.0	E/H/D	3	2544	745	✓	✓
5M17	1750	500	30	460	70-80	85-95	8.6	16.9	E/H/D	3	3070	899	✓	✓
6M7	764	600	30	560	70-80	85-95	4.3	8.8	E/H/D	1	1520	445	✓	✓
6M9	900	600	30	560	70-80	85-95	5.0	10.1	E/H/D	2	1807	529	✓	✓
6M11	1172	600	30	560	70-80	85-95	6.5	13.0	E/H/D	2	2278	667	✓	✓
6M15	1467	600	30	560	70-80	85-95	8.1	16.1	E/H/D	3	2974	871	✓	✓
6M17	1750	600	30	560	70-80	85-95	9.9	19.5	E/H/D	3	3579	1048	✓	✓
7M7	764	750	30	710	70-80	85-95	5.2	10.5	E/H/D	1	1899	556	✓	✓
7M11	1172	750	30	710	70-80	85-95	7.8	15.6	E/H/D	2	2848	834	✓	✓
7M17	1750	750	30	710	70-80	85-95	11.8	23.4	E/H/D	3	4474	1310	✓	✓



## CHELMSFORD ARCHED

RAL 9016 CHROME WORKING PRESSURE WORKING TEMP. CLOSED SYSTEM MOUNT POS. 5 YEARS WARRANTY

Product Name	Height mm	Length mm	Depth mm	Pipe Centres mm	Wall to Pipe Centre mm	Wall to Face mm	Water Content lt	Gross Weight kg	Fuel Options E/H/D	Towel Gaps	Heat Output ΔT 50		Finish	
											BTU	Watts	White W	Chrome C
4MA7	700	420	55	380	75-85	100-110	3.1	6.4	E/H/D	1	1069	313	✓	✓
4MA9	900	420	55	380	75-85	100-110	3.9	7.9	E/H/D	2	1369	401	✓	✓
4MA12	1200	420	55	380	75-85	100-110	5.2	10.5	E/H/D	2	1902	557	✓	✓
5MA7	764	500	60	460	75-85	100-110	3.8	7.8	E/H/D	1	1130	331	✓	✓
5MA11	1172	500	60	460	55-65	95-110	5.7	11.5	E/H/D	2	1974	578	✓	✓
5MA15	1467	500	60	460	75-85	100-110	7.1	14.2	E/H/D	3	2558	749	✓	✓
5MA17	1750	500	60	460	75-85	100-110	8.7	17.2	E/H/D	3	3084	903	✓	✓
6MA7	764	600	65	560	75-85	100-110	4.3	9.0	E/H/D	1	1527	447	✓	✓
6MA11	1172	600	65	560	55-65	95-110	6.6	13.3	E/H/D	2	2288	670	✓	✓
6MA15	1467	600	65	560	75-85	100-110	8.2	16.4	E/H/D	3	2988	875	✓	✓
6MA17	1750	600	65	560	75-85	100-110	9.9	19.8	E/H/D	3	3596	1053	✓	✓
7MA7	764	750	70	710	75-85	100-110	5.2	10.8	E/H/D	1	1909	559	✓	✓
7MA11	1172	750	70	710	55-65	95-110	7.8	15.9	E/H/D	2	2862	838	✓	✓
7MA17	1750	750	70	710	75-85	100-110	11.9	23.8	E/H/D	3	4498	1317	✓	✓



Technical specifications are subject to change without prior notice.

Tel: 01908 271155 Web: [www.ultraheat.co.uk](http://www.ultraheat.co.uk)



## Stylish and affordable

This heated towel rail has quality features at a budget price with a choice of 22mm bar variations in mirror chrome.

MODELS SHOWN: RIGHT: 5E16C BELOW: 5E8C  
BOTTOM: 5E12C



### ECO-RAIL

C CHROME   
 10 WORKING PRESSURE   
 95°C WORKING TEMP.   
 C CLOSED SYSTEM   
 V MOUNT POS.   
 5 YEARS WARRANTY

Product Name	Height mm	Length mm	Depth mm	Pipe Centres mm	Wall to Pipe Centre mm	Wall to Face mm	Water Content lt	Gross Weight kg	Fuel Options E/H/D	Towel Gaps	Heat Output $\Delta T$ 50	
											BTU	Watts
4E8	801	400	30	360	70-80	85-95	2.6	5.2	E/H/D	2	628	184
5E8	801	500	30	460	70-80	85-95	3.2	6.5	E/H/D	2	727	213
6E8	801	600	30	560	70-80	85-95	3.6	7.3	E/H/D	2	861	252
5E10	950	500	30	460	70-80	85-95	3.7	7.5	E/H/D	2	902	264
6E10	950	600	30	560	70-80	85-95	4.2	8.5	E/H/D	2	1059	310
4E12	1175	400	30	360	70-80	85-95	3.8	7.4	E/H/D	3	932	273
5E12	1175	500	30	460	70-80	85-95	4.7	9.3	E/H/D	3	1076	315
6E12	1175	600	30	560	70-80	85-95	5.3	10.5	E/H/D	3	1264	370
4E15	1585	400	30	360	70-80	85-95	5.1	9.9	E/H/D	4	1363	399
5E15	1585	500	30	460	70-80	85-95	6.4	12.4	E/H/D	4	1557	456
6E15	1585	600	30	560	70-80	85-95	7.2	14.1	E/H/D	4	1837	538
5E17	1700	500	30	460	70-80	85-95	6.9	13.4	E/H/D	4	1636	479
6E17	1700	600	30	560	70-80	85-95	7.8	15.2	E/H/D	4	1936	567





*Small is beautiful*

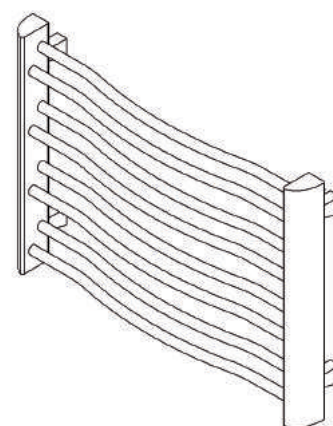
When space is tight you don't have to sacrifice style. Petit comes to the rescue with this compact and innovative towel warmer.

MODEL SHOWN: PETC46A

**PETIT**

C CHROME   
 10 WORKING PRESSURE   
 95°C WORKING TEMP.   
 C CLOSED SYSTEM   
 V MOUNT POS.   
 5 YEARS WARRANTY

Product Name	Height mm	Length mm	Depth mm	Pipe Centres mm	Wall to Pipe Centre mm	Wall to Face mm	Water Content lt	Gross Weight kg	Fuel Options E/H/D	Towel Gaps	Heat Output ΔT 50	
											BTU	Watts
PETC46A	420	600	50	560	60-75	95-110	1.6	5.4	E/H/D	3	716	210



# WINDSOR

## Exquisitely finished

It's all about the detail in this exquisitely finished towel rail. And you don't have to be royalty to appreciate the warm, fluffy towels it produces at your merest command.

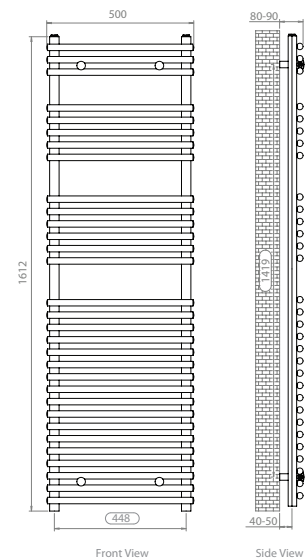
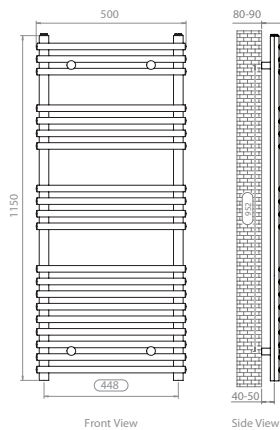
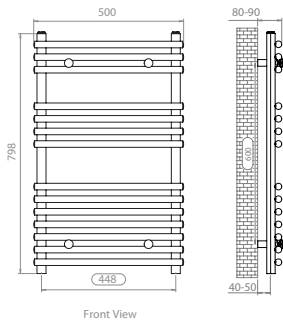
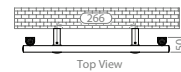
MODELS SHOWN: RIGHT: 5W11C BELOW: 5W16W



### WINDSOR

RAL 9016 C 10 95°C C V 5 YEARS  
 WHITE CHROME WORKING PRESSURE WORKING TEMP. CLOSED SYSTEM MOUNT POS. WARRANTY

Product Name	Height mm	Length mm	Depth mm	Pipe Centres mm	Wall to Pipe Centre mm	Wall to Face mm	Water Content lt	Gross Weight kg	Fuel Options E/H/D	Towel Gaps	Heat Output		Finish	
											ΔT 50 BTU	Watts	White W	Chrome C
WINSW8	798	500	54	448	42-52	80-90	3.5	7.51	E/H/D	2	1288	377	✓	✓
WINSW11	1150	500	54	448	42-52	80-90	5.1	10.54	E/H/D	3	1837	538	✓	✓
WINSW16	1612	500	54	448	42-52	80-90	7.6	15.47	E/H/D	4	2705	792	✓	✓
WINEC (pair)													✓	✓



Tel: 01908 271155 Web: [www.ultraheat.co.uk](http://www.ultraheat.co.uk)

Technical specifications are subject to change without prior notice.





## Spa luxury for all

A square tubular ladder rail with room to warm plenty of fluffy towels. Create a hotel experience at home - it just might be difficult to leave afterwards!

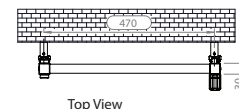
MODEL SHOWN: LEFT: 5K10C BELOW: 5K17C



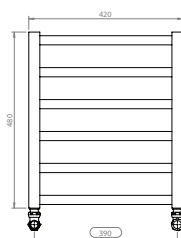
### KARNAK

RAL 9016 C 10 95°C C V 5 YEARS  
 WHITE CHROME WORKING PRESSURE WORKING TEMP. CLOSED SYSTEM MOUNT POS. WARRANTY

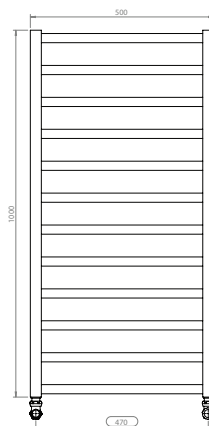
Product Name	Height mm	Length mm	Depth mm	Pipe Centres mm	Wall to Pipe Centre mm	Wall to Face mm	Water Content lt	Gross Weight kg	Fuel Options E/H/D	Towel Gaps	Heat Output $\Delta T$ 50		Finish	
											BTU	Watts	White W	Chrome C
3K10	1000	310	30	280	70-85	85-100	2.6	5.6	E/H/D	11	678	198		✓
3K14	1440	310	30	280	70-85	85-100	3.7	7.9	E/H/D	16	960	281		✓
4K5	480	420	30	390	70-85	85-100	1.8	4.2	E/H/D	5	495	145	✓	✓
4K14	1440	420	30	390	70-85	85-100	5.0	10.8	E/H/D	16	1096	321		✓
5K10	1000	500	30	470	70-85	85-100	4.1	9.0	E/H/D	11	1124	329	✓	✓
5K14	1440	500	30	470	70-85	85-100	5.9	12.8	E/H/D	16	1246	365	✓	✓
5K17	1700	500	30	470	70-85	85-100	7.0	14.9	E/H/D	19	1882	551	✓	✓



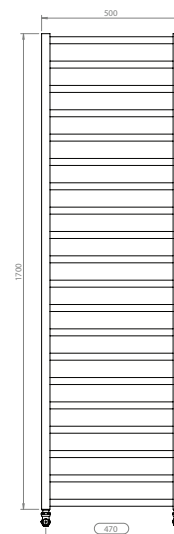
Top View



Front View: 4K5



Front View: 5K10



Front View: 5K17

Technical specifications are subject to change without prior notice.

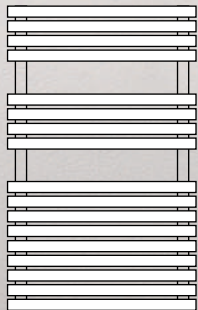
Tel: 01908 271155 Web: [www.ultraheat.co.uk](http://www.ultraheat.co.uk)



## A touch of class

This is a heated towel rail with a difference  
- sleek flat bars create an ultra slim profile.  
Designer style to complement contemporary  
bathrooms and kitchens.

MODELS SHOWN: RIGHT: 5P011C BELOW: 5P017C



### POPLAR

RAL 9016   
 BLACK   
 CHROME   
 WORKING PRESSURE   
 WORKING TEMP.   
 CLOSED SYSTEM   
 MOUNT POS.   
 5 YEARS WARRANTY

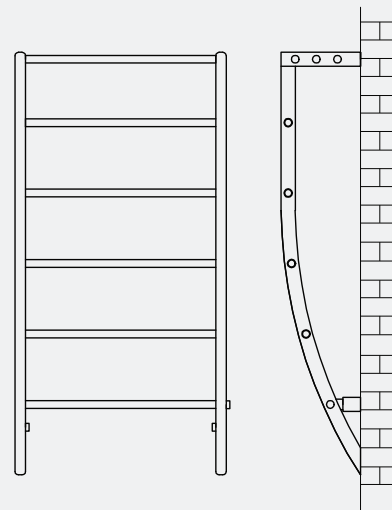
Product Name	Height mm	Length mm	Depth mm	Pipe Centres mm	Wall to Pipe Centre mm	Wall to Face mm	Water Content lt	Gross Weight kg	Fuel Options E/H/D	Towel Gaps	Heat Output ΔT 50		Finish		
											BTU	Watts	White W	Black B	Chrome C
5P07	788	500	60	430	42-52	85-95	3.6	9.7	E/H/D	1	1731	507	✓	✓	✓
5P011	1106	500	60	430	42-52	85-95	4.8	12.7	E/H/D	2	2301	674	✓	✓	✓
5P017	1742	500	60	430	42-52	85-95	7.2	18.8	E/H/D	4	3340	978	✓	✓	✓



*Curvaceous and fun*

Who said a towel warmer had to be boring? This lovely curved heated towel rail will turn any bathroom into a show-stealer.

**i** MODEL SHOWN: POR6P12



**PORTOFINO**

C CHROME   
 10 WORKING PRESSURE   
 95°C WORKING TEMP.   
 C CLOSED SYSTEM   
 V MOUNT POS.   
 5 YEARS WARRANTY

Product Name	Height mm	Length mm	Depth mm	Pipe Centres mm	Wall to Pipe Centre mm	Wall to Face mm	Water Content lt	Gross Weight kg	Fuel Options E/H/D	Towel Gaps	Heat Output $\Delta T$ 50	
											BTU	Watts
POR5P12	1200	500	225	320	45-55	225-235	3.6	8.1	E/H/D	6	745	218
POR6P12	1200	600	225	420	45-55	225-235	3.9	8.9	E/H/D	6	966	283

Technical specifications are subject to change without prior notice.



### Wrap up warm...

Traditionally styled Buckingham is perfect for period homes - combining classic good looks with modern practicality.

A high output column steel radiator heats the bathroom whilst the chrome top bar warms the towels to wrap yourself in.

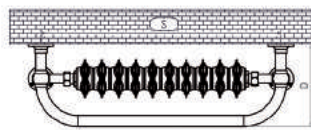
**R1** MODEL SHOWN: 5BEC  
VALVE SHOWN: CHRVC



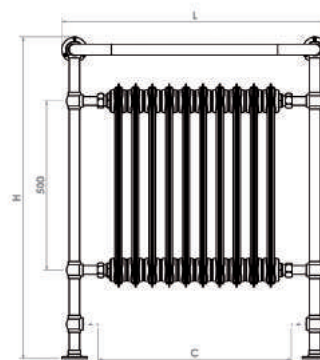
### BUCKINGHAM

**G** GOLD **C** CHROME **6** WORKING PRESSURE **95°C** WORKING TEMP **C** CLOSED SYSTEM **H** MOUNT POS. **5 YEARS** WARRANTY

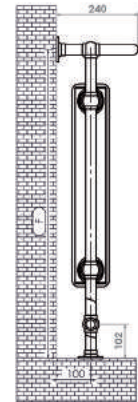
Product Name	Height mm	Length mm	Depth mm	Pipe Centres mm	Wall to Pipe Centre mm	Wall to Face mm	Water Content lt	Gross Weight kg	Fuel Options E/H/D	Towel Gaps	Heat Output $\Delta T 50$		Finish	
											BTU	Watts	Gold G	Chrome C
5BE	951	534	240	320	100	240	12.1	9.6	H	1	2736	802	✓	✓
7BE	951	634	240	420	100	240	15.1	11.9	H	1	3999	1172	✓	✓
10BE	951	784	240	570	100	240	19.3	15.0	H	1	4732	1387	✓	✓
14BE	951	984	240	770	100	240	26.9	21.6	H	1	6630	1943		✓



Top View



Front View



Side View

**ULTRAHEAT**

Tel: 01908 271155 Web: [www.ultraheat.co.uk](http://www.ultraheat.co.uk)

Technical specifications are subject to change without prior notice.



Tel: 01908 271155 Web: [www.ultraheat.co.uk](http://www.ultraheat.co.uk)

**ULTRAHEAT**

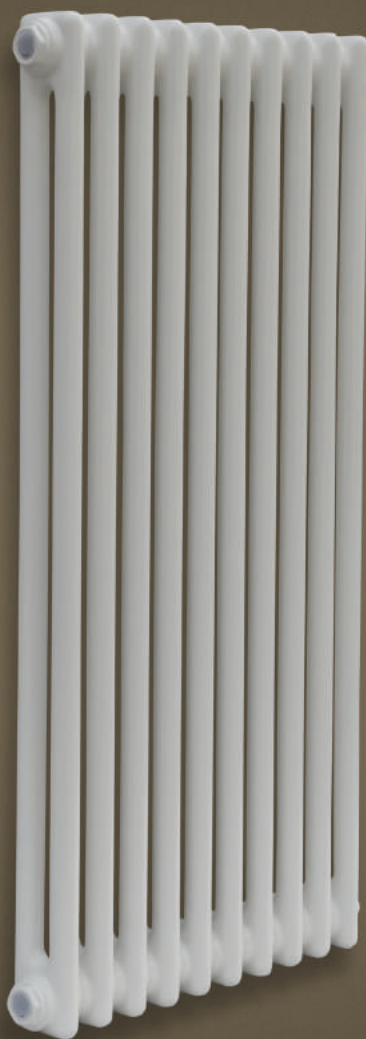


## 2 COLUMN

### Effective heating

Sitting flat against the wall, the two-column model fits almost any space, heating the room effectively and unobtrusively. Perfect for smaller rooms.

MODEL SHOWN: C2150510W



- Vertical columns (each one with two sections)
- A choice of 12 models to suit your needs from 1788 BTU (524 Watts) up to 4949 BTU (1449 Watts)
- High quality white powder coat finish (RAL 9010)
- Sizes from H 900mm x L 377mm to H 2000mm x L 465mm
- 5 year warranty
- Built to last: 1.5mm thick mild steel for guaranteed quality
- Tested to BS EN 442 Standards
- ISO9001:2008 Registered Manufacturer
- CE Marked

### 2 COLUMN

RAL 9010  
WHITE

10  
WORKING PRESSURE

95°C  
WORKING TEMPERATURE

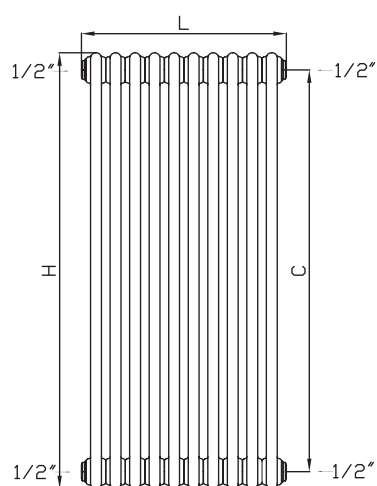
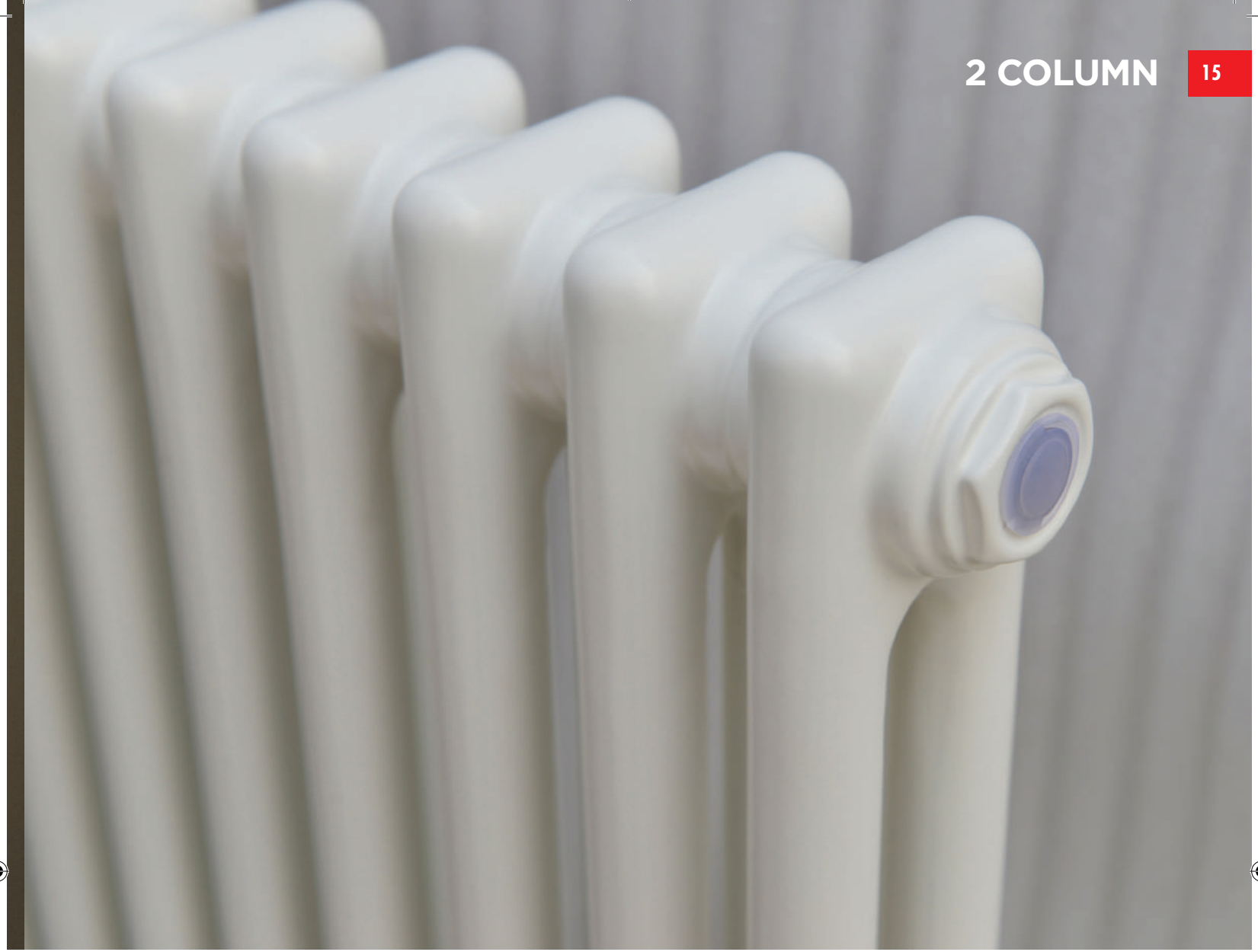
C  
CLOSED SYSTEM

V  
MOUNT POSITION

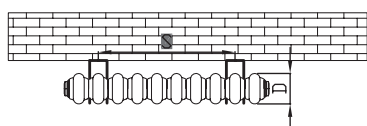
5 YEARS  
WARRANTY

Product Name	Height mm	Length mm	Depth mm	Pipe Centres mm	Wall to Pipe Centre mm	Wall to Face mm	Water Content lt	Gross Weight kg	Fuel Options E/H/D	Heat Output ΔT 50	
										BTU	Watts
C2090510	900	465	69	555	58	93	9.5	19.9	H	2295	672
C2090408	900	377	69	467	58	93	7.6	16.2	H	1836	538
C2120510	1200	465	69	555	58	93	12.1	25.6	H	3013	882
C2120408	1200	377	69	467	58	93	9.7	20.7	H	2410	706
C2150510	1500	465	69	555	58	93	14.8	31.2	H	3726	1091
C2150408	1500	377	69	467	58	93	11.8	25.3	H	2981	873
C2180510	1800	465	69	555	58	93	17.5	36.9	H	4471	1309
C2180408	1800	377	69	467	58	93	14.0	29.9	H	3577	1047
C2180306	1800	288	69	378	58	93	10.5	22.8	H	2683	785
C2180204	1800	200	69	290	58	93	7.0	15.8	H	1788	524
C2200510	2000	465	69	555	58	93	19.5	40.6	H	4949	1449
C2200408	2000	377	69	467	58	93	15.6	32.9	H	3959	1159
C2FT	202	30	76					1.2			

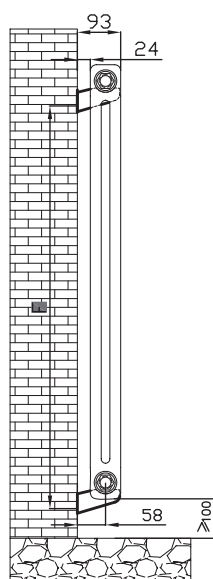




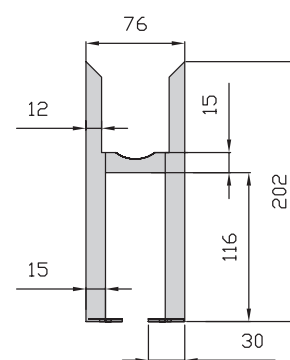
Front View



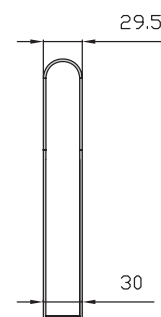
Top View



Side View



C2FT Feet Front View



C2FT Feet Side View

Technical specifications are subject to change without prior notice.

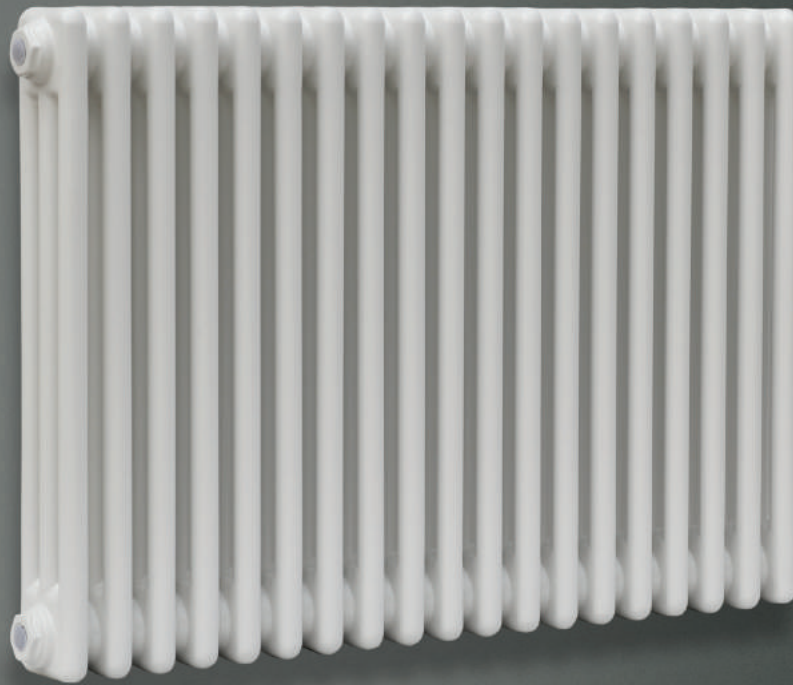
Tel: 01908 271155 Web: [www.ultraheat.co.uk](http://www.ultraheat.co.uk)



## Simple and elegant

The pleasing triple lines of the three-column model will warm your soul, while its powerful heating element will keep the rest of you perfectly toasty.

MODEL SHOWN: C3060919W



- Vertical columns (each one with three sections)
- A choice of 20 models to suit your needs from 1552 BTU (455 Watts) up to 8005 BTU (2344 Watts)
- High quality white powder coat finish (RAL 9010)
- Sizes from H 300mm x L 864mm to H 2000mm x L 465mm
- 5 year warranty
- Built to last: 1.5mm thick mild steel for guaranteed quality
- Tested to BS EN 442 Standards
- ISO9001:2008 Registered Manufacturer
- CE Marked

### 3 COLUMN

**RAL 9010**  
WHITE

**10**  
WORKING PRESSURE

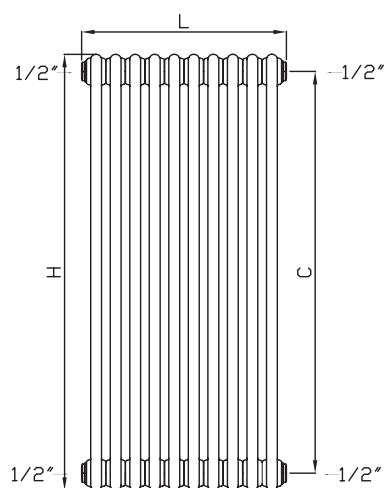
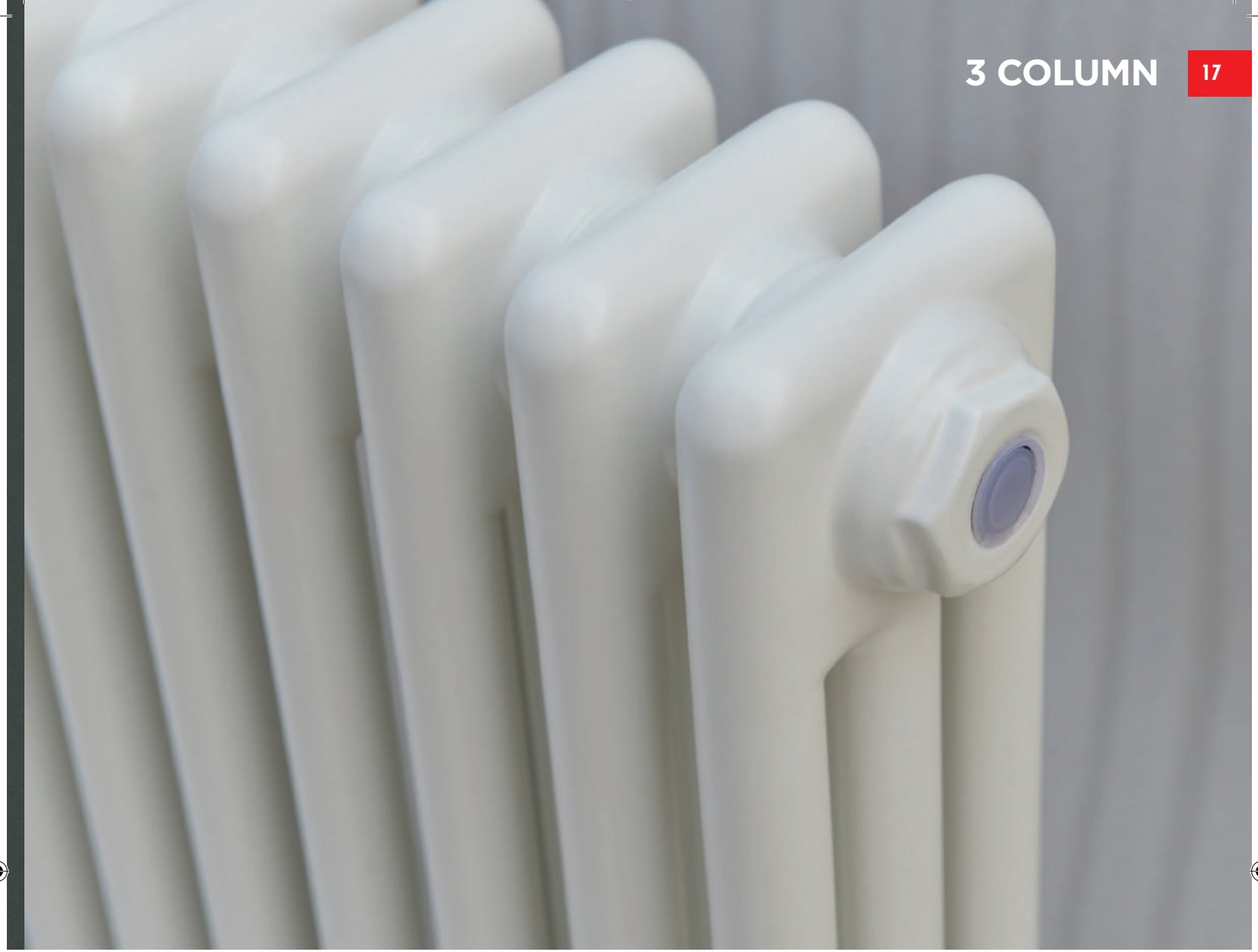
**95°C**  
WORKING TEMPERATURE

**C**  
CLOSED SYSTEM

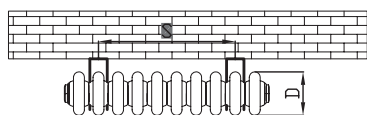
**H V**  
MOUNT POSITION

**5 YEARS**  
WARRANTY

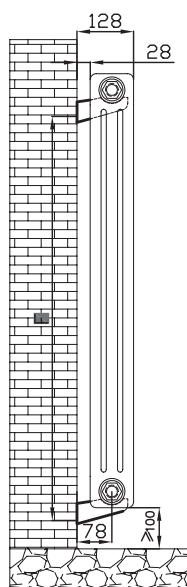
Product Name	Height mm	Length mm	Depth mm	Pipe Centres mm	Wall to Pipe Centre mm	Wall to Face mm	Water Content lt	Gross Weight kg	Fuel Options E/H/D	Mount Position H/V	Heat Output $\Delta T$ 50	
											BTU	Watts
C3030919	300	864	100	954	78	128	10.8	21.1	H	H	2297	673
C3031125	300	1130	100	1220	78	128	14.3	27.4	H	H	3023	885
C3031432	300	1440	100	1530	78	128	18.2	34.8	H	H	3869	1133
C3031636	300	1617	100	1707	78	128	20.5	38.8	H	H	4353	1274
C3040909	400	421	100	511	78	128	6.0	13.2	H	H	1380	404
C3040613	400	598	100	688	78	128	8.8	18.4	H	H	1995	584
C3040716	400	731	100	821	78	128	10.8	22.4	H	H	2452	718
C3040919	400	864	100	954	78	128	12.8	26.4	H	H	2914	853
C3041125	400	1130	100	1220	78	128	16.9	34.3	H	H	3832	1122
C3041432	400	1440	100	1530	78	128	21.6	43.5	H	H	4905	1436
C3041636	400	1617	100	1707	78	128	24.4	48.8	H	H	5520	1616
C3060409	600	421	100	511	78	128	8.6	18.1	H	H	2001	586
C3060613	600	598	100	688	78	128	12.5	25.6	H	H	2891	846
C3060716	600	731	100	821	78	128	15.4	31.2	H	H	3558	1042
C3060919	600	864	100	954	78	128	18.2	36.8	H	H	4225	1237
C3061125	600	1130	100	1220	78	128	24.0	48.0	H	H	5559	1628
C3061432	600	1440	100	1530	78	128	30.7	61.0	H	H	7115	2083
C3061636	600	1617	100	1707	78	128	34.6	68.5	H	H	8005	2344
C3180510	1800	465	100	555	78	128	24.9	53.5	H	V	6083	1781
C3200510	2000	465	100	555	78	128	27.5	59.1	H	V	6732	1971
C3FT	202	30	107					1.3				



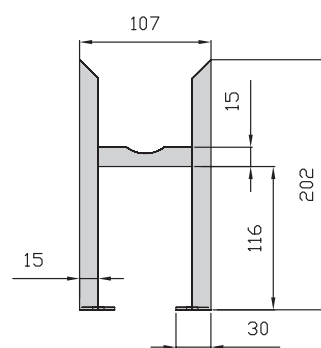
3 Column Front View



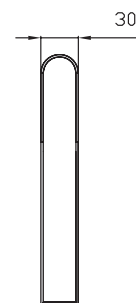
3 Column Top View



3 Column Side View



C3FT Feet Front View



C3FT Feet Side View

Technical specifications are subject to change without prior notice.

Tel: 01908 271155 Web: [www.ultraheat.co.uk](http://www.ultraheat.co.uk)





# 4 COLUMN

*The ultimate in statement design*

This four-column radiator means business and refuses to be ignored. A magnificent heating solution for any home.

MODEL SHOWN: C4060919W

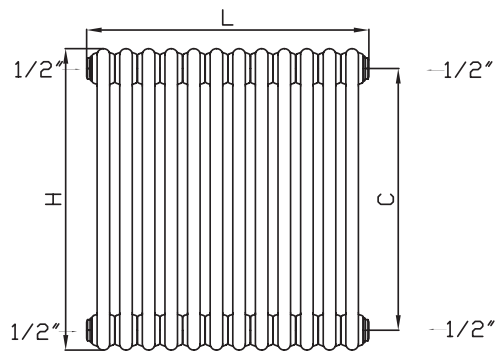
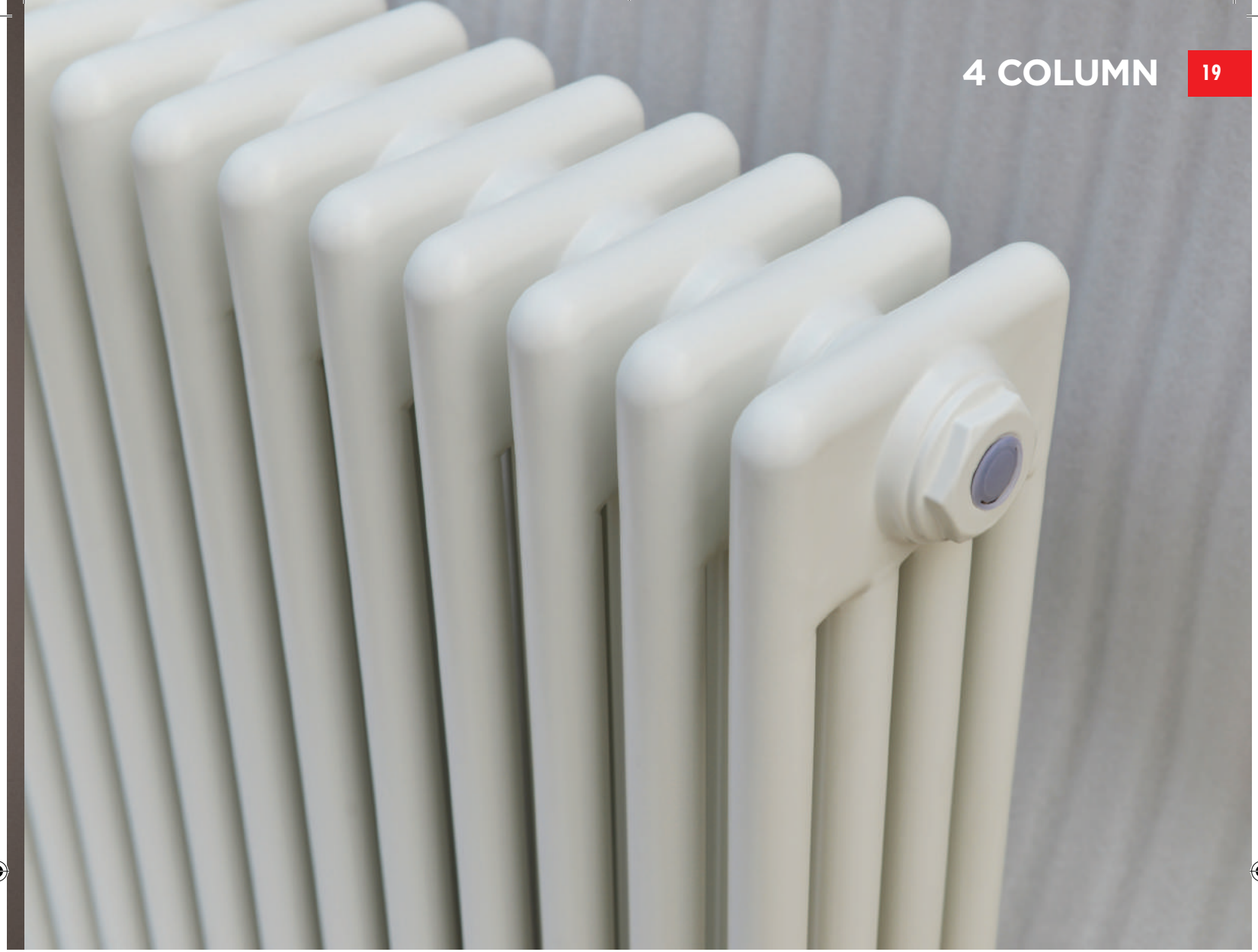


- Vertical columns (each one with four sections)
- A choice of 14 models to suit your needs from 2561 BTU (750 Watts) up to 9105 BTU (2666 Watts)
- High quality white powder coat finish (RAL 9010)
- Sizes from H 300mm x L 864mm to H 600mm x L 1440mm
- 5 year warranty
- Built to last: 1.5mm thick mild steel for guaranteed quality
- Tested to BS EN 442 Standards
- ISO9001:2008 Registered Manufacturer
- CE Marked

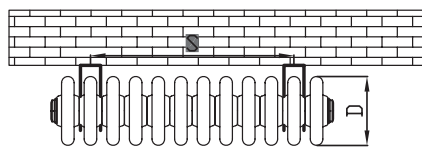
## 4 COLUMN

RAL 9010 WHITE    
 WORKING PRESSURE    
 WORKING TEMPERATURE    
 CLOSED SYSTEM    
 MOUNT POSITION    
 5 YEARS WARRANTY

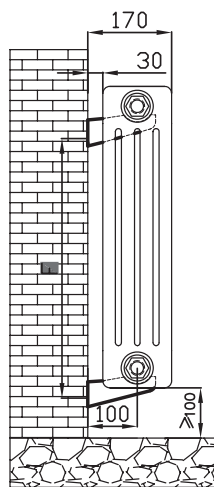
Product Name	Height mm	Length mm	Depth mm	Pipe Centres mm	Wall to Pipe Centre mm	Wall to Face mm	Water Content lt	Gross Weight kg	Fuel Options E/H/D	Heat Output ΔT 50	
										BTU	Watts
C4030919	300	864	140	954	100	170	14.4	26.1	H	2966	868
C4031125	300	1130	140	1220	100	170	19.0	33.8	H	3902	1143
C4031432	300	1440	140	1530	100	170	24.3	42.8	H	4995	1462
C4040613	400	598	140	688	100	170	11.9	23.2	H	2562	750
C4040716	400	731	140	821	100	170	14.6	28.2	H	3149	922
C4040919	400	864	140	954	100	170	17.4	33.2	H	3743	1096
C4041125	400	1130	140	1220	100	170	22.9	43.1	H	4925	1442
C4041432	400	1440	140	1530	100	170	29.3	54.7	H	6305	1846
C4060409	600	421	140	511	100	170	11.6	23.4	H	2561	750
C4060613	600	598	140	688	100	170	16.8	33.0	H	3699	1083
C4060716	600	731	140	821	100	170	20.6	40.2	H	4552	1333
C4060919	600	864	140	954	100	170	24.5	47.4	H	5406	1583
C4061125	600	1130	140	1220	100	170	32.3	61.7	H	7113	2083
C4061432	600	1440	140	1530	100	170	41.3	78.4	H	9105	2666
C4FT	202	30	147					1.4			



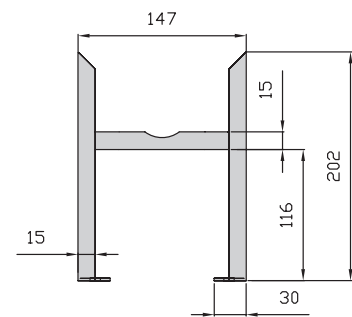
4 Column Front View



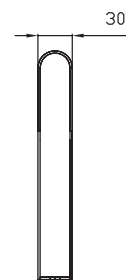
4 Column Top View



4 Column Side View



C4FT Feet Front View



C4FT Feet Side View

Technical specifications are subject to change without prior notice.

Tel: 01908 271155 Web: [www.ultraheat.co.uk](http://www.ultraheat.co.uk)











## KENSINGTON

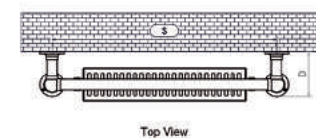
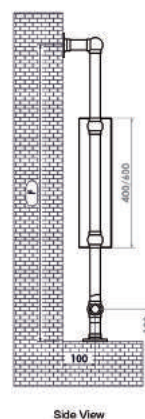
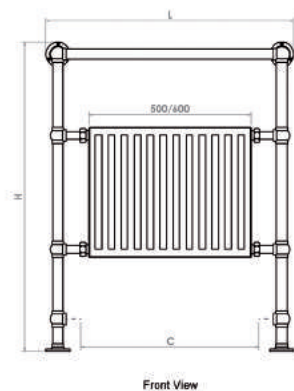
C CHROME   
 10 WORKING PRESSURE   
 95°C WORKING TEMP.   
 C CLOSED SYSTEM   
 H MOUNT POS.   
 5 YEARS WARRANTY

Product Name	Height mm	Length mm	Depth mm	Pipe Centres mm	Wall to Pipe Centre mm	Wall to Face mm	Water Content lt	Gross Weight kg	Fuel Options E/H/D	Towel Gaps	Heat Output $\Delta T$ 50	
											BTU	Watts
KEN4S5	951	764	137	550	100	137	5.4	10.3	H	1	1242	364
KEN4S6	951	864	137	650	100	137	5.9	12.6	H	1	1467	430
KEN6H5	951	764	137	550	100	137	6.2	20.8	H	1	2532	742
KEN4PS5	951	764	137	550	100	137	5.4	16.7	H	1	1242	364
KEN4PS6	951	864	137	650	100	137	5.9	19.0	H	1	1467	430
KEN6PH5	951	764	137	550	100	137	6.2	26.3	H	1	2532	742

## A touch of warmth

Kensington period style chrome towel rails are combined with Ultraheat Compact 4 and Planal steel panel convector radiators to provide the ultimate in bathroom comfort.

BT MODEL SHOWN: KEN4PS5  
 VALVE SHOWN: UDC850



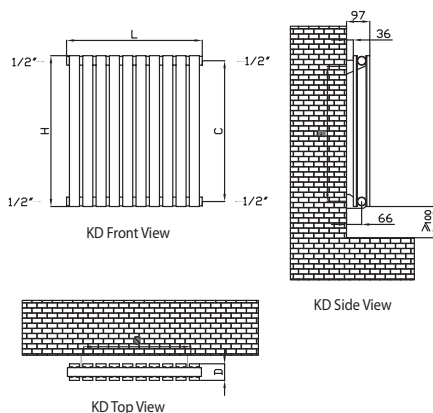
# KLON HORIZONTAL



## D-shaped profile

A contemporary design with a 25x25mm tube in mild steel with a D-shaped profile, available in white and micro grain metallic black.

**R** MODEL SHOWN: KD628W



## KLON HORIZONTAL

RAL 9016 B 10 95°C C H 5 YEARS  
 WHITE BLACK WORKING PRESSURE WORKING TEMP. CLOSED SYSTEM MOUNT POS. WARRANTY

Product Name	Height mm	Length mm	Depth mm	Pipe Centres mm	Wall to Pipe Centre mm	Wall to Face mm	Water Content lt	Gross Weight kg	Fuel Options E/H/D	Heat Output ΔT 50		Finish	
										BTU	Watts	White W	Black B
KD416	420	611	87	701	66	109	6.5	18.5	H	3046	892	✓	✓
KD422	420	839	87	929	66	109	9.3	24.7	H	4190	1227	✓	✓
KD428	420	1067	87	1157	66	109	12.1	31.0	H	5338	1563	✓	✓
KD432	420	1219	87	1309	66	109	13.9	35.1	H	6099	1786	✓	✓
KD436	420	1371	87	1461	66	109	15.8	39.3	H	6864	2010	✓	✓
KD614	600	535	87	625	66	109	7.7	22.9	H	3200	937	✓	✓
KD616	600	611	87	701	66	109	9.0	26.2	H	3657	1071	✓	✓
KD622	600	839	87	929	66	109	12.8	35.3	H	5030	1473	✓	✓
KD628	600	1067	87	1157	66	109	16.7	44.4	H	6407	1876	✓	✓
KD632	600	1219	87	1309	66	109	19.2	50.5	H	7322	2144	✓	✓
KD636	600	1371	87	1461	66	109	21.8	56.6	H	8237	2412	✓	✓
KD642	600	1599	87	1689	66	109	25.6	66.0	H	9610	2814	✓	✓



Tel: 01908 271155 Web: [www.ultraheat.co.uk](http://www.ultraheat.co.uk)

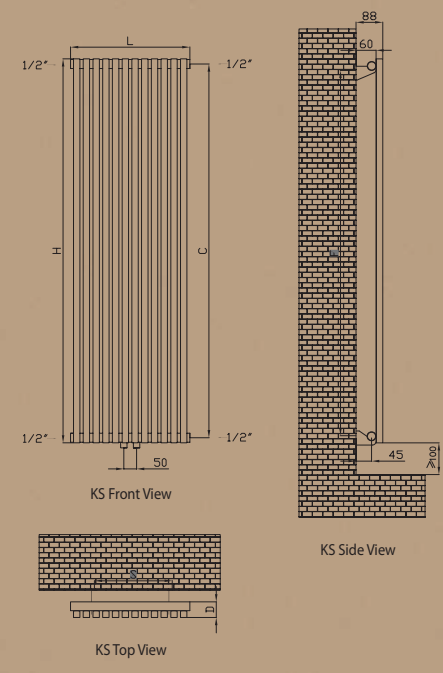
Technical specifications are subject to change without prior notice.

# KLON VERTICAL

## D-shaped profile

Your choice of 1500, 1800 and 2000mm heights of a 25x25mm tube radiator available in white, chrome and micro grain metallic black.

MODEL SHOWN: KD1814B

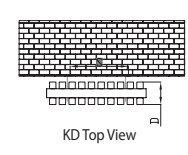
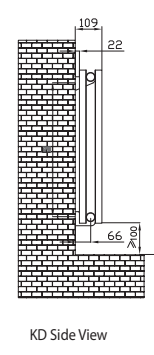
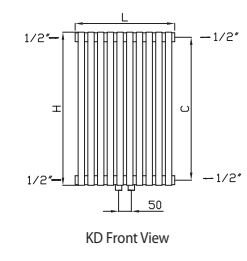


## KLON VERTICAL

RAL 9016
B
C
10
95°C
C
V
5 YEARS

WHITE    BLACK    CHROME    WORKING PRESSURE    WORKING TEMP.    CLOSED SYSTEM    MOUNT POS.    WARRANTY

Product Name	Height mm	Length mm	Depth mm	Pipe Centres mm	Wall to Pipe Centre mm	Wall to Face mm	Water Content lt	Gross Weight kg	Fuel Options E/H/D	Heat Output ΔT 50		White W	Finish Black B	Chrome C
										BTU	Watts			
KS1510	1500	383	61	50-473	45	88	4.9	21.4	E/H/D	2937	860	✓	✓	✓
KS1512	1500	459	61	50-549	45	88	6.5	25.7	E/H/D	3524	1032			✓
KS1810	1800	383	61	50-473	45	88	5.8	25.4	E/H/D	3483	1020	✓	✓	✓
KS1816	1800	611	61	50-701	45	88	11.4	39.2	E/H/D	5573	1632	✓	✓	✓
KD1506	1500	231	87	50-321	66	109	6.2	22.2	H	2879	843	✓		
KD1510	1500	383	87	50-473	66	109	12.2	39.1	E/H/D	4798	1405	✓	✓	
KD1514	1500	535	87	50-625	66	109	18.3	38.0	E/H/D	6717	1967	✓		
KD1806	1800	231	87	50-321	66	109	7.3	29.2	H	3719	1089	✓	✓	
KD1810	1800	383	87	50-473	66	109	14.6	47.4	E/H/D	6198	1815	✓	✓	
KD1812	1800	459	87	50-549	66	109	18.2	55.0	E/H/D	7438	2178	✓		
KD1814	1800	535	87	50-625	66	109	21.8	64.2	E/H/D	8678	2541	✓	✓	
KD2014	2000	535	87	50-625	66	109	24.2	71.0	E/H/D	8264	2420	✓		



Technical specifications are subject to change without prior notice.

Tel: 01908 271155 Web: www.ultraheat.co.uk



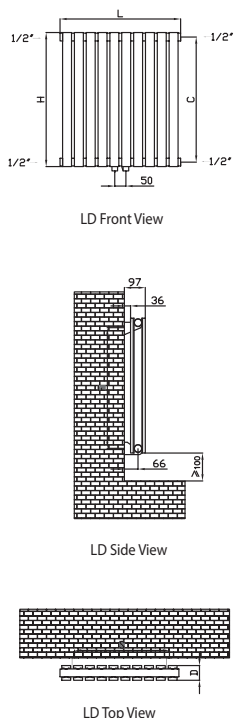
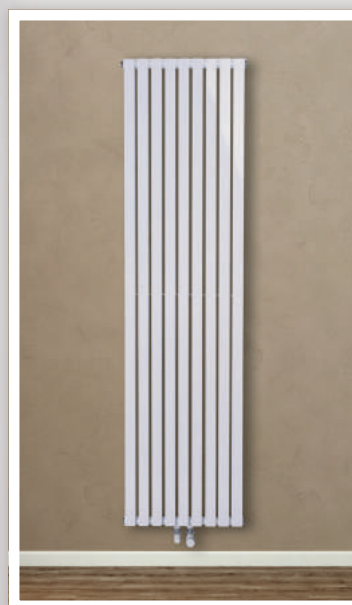
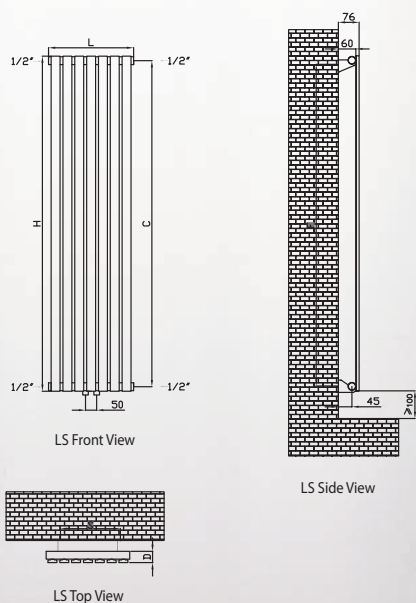


# LINEAR VERTICAL

*Feel the heat*

Linear stands tall and shimmers with reflections in chrome - a stunning focal point that also delivers on heat output. This contemporary radiator can be used throughout the home but with the addition of a towel bar it will enhance any modern kitchen or bathroom.

**R** MODELS SHOWN: RIGHT: LS1507C  
RIGHT TOP: LD1809W RIGHT BOTTOM: LD1805B



## LINEAR VERTICAL

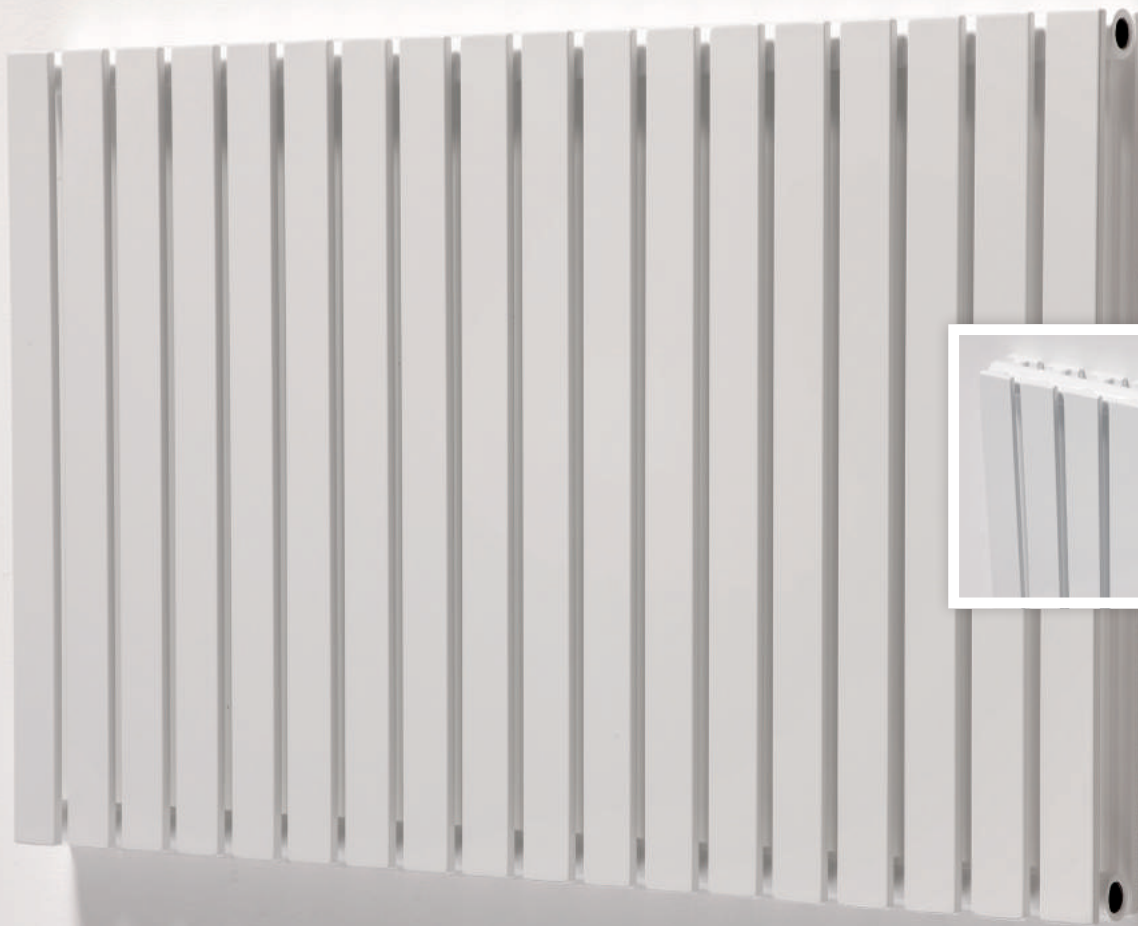
RAL 9016 B C 10 95°C C V 5 YEARS  
 WHITE BLACK CHROME WORKING PRESSURE WORKING TEMP. CLOSED SYSTEM MOUNT POS. WARRANTY

Product Name	Height mm	Length mm	Depth mm	Pipe Centres mm	Wall to Pipe Centre mm	Wall to Face mm	Water Content lt	Gross Weight kg	Fuel Options E/H/D	Heat Output ΔT 50 BTU Watts	White W	Black B	Chrome C
LS1505	1500	268	48	50-358	45	76	3.3	9.6	E/H/D	1947 570	✓		✓
LS1507	1500	374	48	50-464	45	76	4.6	13.3	E/H/D	2725 798	✓	✓	✓
LS1509	1500	480	48	50-570	45	76	5.9	17.2	E/H/D	3504 1026	✓		✓
LS1805	1800	268	48	50-358	45	76	3.9	11.3	E/H/D	2336 684	✓	✓	✓
LS1807	1800	374	48	50-464	45	76	5.4	15.9	E/H/D	3270 958	✓		✓
LS1809	1800	480	48	50-570	45	76	7.0	20.4	E/H/D	4205 1231	✓	✓	✓
LS2005	2000	268	48	50-358	45	76	4.3	12.3	E/H/D	2595 760			✓
LS2007	2000	374	48	50-464	45	76	6.0	17.3	E/H/D	3634 1064			✓
LS2009	2000	480	48	50-570	45	76	7.7	22.7	E/H/D	4672 1368			✓
LD1507	1500	374	61	50-464	66	97	9.2	28.5	E/H/D	5450 1596	✓		
LD1805	1800	268	61	50-358	66	97	7.8	22.5	E/H/D	4672 1368	✓	✓	
LD1807	1800	374	61	50-464	66	97	10.9	31.5	E/H/D	6540 1915	✓		
LD1809	1800	480	61	50-570	66	97	14.0	40.4	E/H/D	8409 2462	✓	✓	
LD1811	1800	586	61	50-676	66	97	17.1	49.4	E/H/D	10278 3010	✓		
LD2005	2000	268	61	50-358	66	97	8.6	26.7	E/H/D	5191 1520	✓		
LD2009	2000	480	61	50-570	66	97	15.4	48.1	E/H/D	9343 2736	✓	✓	



Tel: 01908 271155 Web: www.ultraheat.co.uk

Technical specifications are subject to change without prior notice.



## LINEAR HORIZONTAL

RAL 9016  
WHITE

**B**  
BLACK

10  
WORKING PRESSURE

95°C  
WORKING TEMP.

**C**  
CLOSED SYSTEM

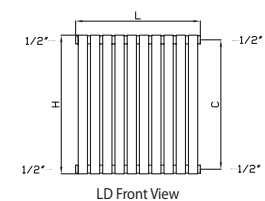
**H**  
MOUNT POS.

5 YEARS  
WARRANTY

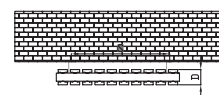
Product Name	Height mm	Length mm	Depth mm	Pipe Centres mm	Wall to Pipe Centre mm	Wall to Face mm	Water Content lt	Gross Weight kg	Fuel Options E/H/D	Heat Output		Finish	
										ΔT 50 BTU	ΔT 50 Watts	White W	Black B
LD606	600	321	61	411	66	97	3.2	10.5	H	1869	547	✓	
LD608	600	427	61	517	66	97	4.3	13.7	H	2492	730	✓	✓
LD610	600	533	61	623	66	97	5.4	16.9	H	3114	912	✓	
LD612	600	639	61	729	66	97	6.5	20.1	H	3737	1094	✓	✓
LD614	600	745	61	835	66	97	7.6	23.4	H	4360	1277	✓	
LD616	600	851	61	941	66	97	8.6	26.6	H	4983	1459	✓	✓
LD618	600	957	61	1047	66	97	9.7	29.8	H	5606	1642	✓	✓
LD620	600	1063	61	1153	66	97	10.8	33.0	H	6229	1824	✓	✓
LD623	600	1222	61	1312	66	97	12.4	37.8	H	7163	2098	✓	✓
LD627	600	1434	61	1524	66	97	14.6	43.0	H	8409	2462	✓	
LD631	600	1646	61	1736	66	97	16.7	51.0	H	9655	2827	✓	
LD635	600	1858	61	1948	66	97	18.9	57.1	H	10901	3192	✓	
LD638	600	2017	61	2107	66	97	20.5	62.5	H	11835	3466	✓	

There are many applications for this contemporary horizontal design. Available in white and micro grain metallic black.

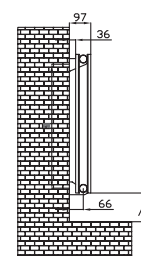
**ⓘ** MODEL SHOWN: ABOVE LEFT: LD618W  
ABOVE RIGHT: LD606W



LD Front View



LD Top View



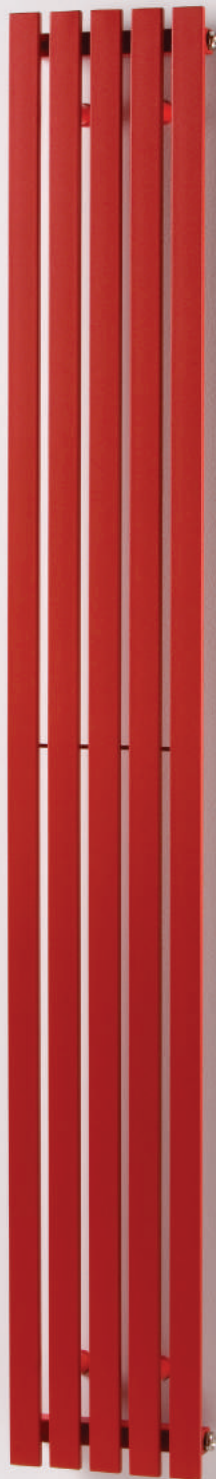
LD Side View

# LINEAR O

## Feel the heat

This popular first-generation shape of Linear radiators is available in mirror polished chrome and micro grain metallic red.

**i** MODEL SHOWN: 5L18R



## LINEAR O

R RED   
 10 WORKING PRESSURE   
 95°C WORKING TEMP.   
 C CLOSED SYSTEM   
 V H MOUNT POS.   
 5 YEARS WARRANTY

Product Name	Height mm	Length mm	Depth mm	Pipe Centres mm	Wall to Pipe Centre mm	Wall to Face mm	Water Content lt	Gross Weight kg	Fuel Options E/H/D	Heat Output $\Delta T$ 50	
										BTU	Watts
5L18	1800	252	60	342-1750	45-55	85-95	3.1	10.5	H	2380	698





*Relax and enjoy life...*

Smart Hampton top rails are combined with Ultraheat steel panel convector radiators for stylish and practical warmth in your bathroom.

Choose from Ultraheat Compact 4 or Planal convector radiators.

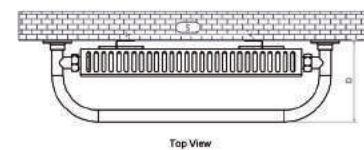
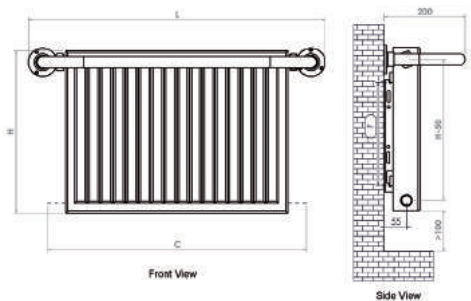
**R** LEFT: 4PHS BELOW: 4HS



## HAMPTON

**C** CHROME **10** WORKING PRESSURE **95°C** WORKING TEMP. **C** CLOSED SYSTEM **H** MOUNT POS. **5 YEARS** WARRANTY

Product Name	Height mm	Length mm	Depth mm	Pipe Centres mm	Wall to Pipe Centre mm	Wall to Face mm	Water Content lt	Gross Weight kg	Fuel Options E/H/D	Towel Gaps	Heat Output ΔT 50	
											BTU	Watts
4HS	400	734	200	590	55	200	1.4	8.1	H	1	1341	393
5HS	500	734	200	590	55	200	1.9	9.5	H	1	1570	460
6HS	600	734	200	590	55	200	2.5	11.1	H	1	1784	523
7HS	700	734	200	590	55	200	3.1	12.2	H	1	1996	585
9HS	900	734	200	590	55	200	4.4	15.0	H	1	2405	705
4HH	400	734	200	590	55	200	2.3	12.3	H	1	1928	565
5HH	500	734	200	590	55	200	3.2	14.7	H	1	2293	672
6HH	600	734	200	590	55	200	4.1	17.5	H	1	2620	768
7HH	700	734	200	590	55	200	5.3	19.1	H	1	2934	860
9HH	900	734	200	590	55	200	7.5	24.0	H	1	3542	1038
4PHS	400	734	200	590	55	200	1.4	9.5	H	1	1341	393
5PHS	500	734	200	590	55	200	1.9	11.3	H	1	1570	460
6PHS	600	734	200	590	55	200	2.5	13.5	H	1	1784	523
7PHS	700	734	200	590	55	200	3.1	14.9	H	1	1996	585
9PHS	900	734	200	590	55	200	4.4	18.5	H	1	2405	705
4PHH	400	734	200	590	55	200	2.3	13.9	H	1	1928	565
5PHH	500	734	200	590	55	200	3.2	16.7	H	1	2293	672
6PHH	600	734	200	590	55	200	4.1	20.0	H	1	2620	768



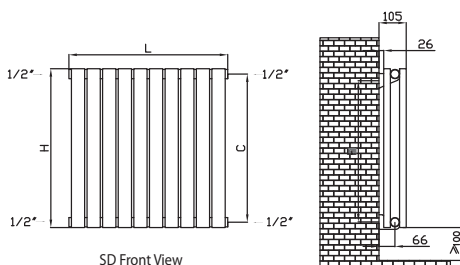
# SOFI HORIZONTAL



## Beauty in simplicity

A high output radiator in a column design of elliptical tubes, available in white.

MODEL SHOWN: SD616W



## SOFI HORIZONTAL



WHITE



WORKING PRESSURE



WORKING TEMP.



CLOSED SYSTEM



MOUNT POS.



WARRANTY

Product Name	Height mm	Length mm	Depth mm	Pipe Centres mm	Wall to Pipe Centre mm	Wall to Face mm	Water Content lt	Gross Weight kg	Fuel Options E/H/D	Heat Output $\Delta T$ 50	
										BTU	Watts
SD608	600	475	79	565	66	105	10.6	17.0	H	2022	592
SD610	600	593	79	683	66	105	13.3	20.8	H	2527	740
SD612	600	711	79	801	66	105	15.9	24.1	H	3033	888
SD614	600	829	79	919	66	105	18.6	28.1	H	3538	1036
SD616	600	947	79	1037	66	105	21.2	32.1	H	4043	1184
SD618	600	1065	79	1155	66	105	23.9	35.9	H	4549	1332
SD620	600	1183	79	1273	66	105	26.6	39.6	H	5054	1480
SD622	600	1301	79	1391	66	105	29.2	43.4	H	5560	1628
SD624	600	1419	79	1509	66	105	31.9	47.4	H	6065	1776
SD626	600	1537	79	1627	66	105	34.5	51.3	H	6570	1924
SD628	600	1655	79	1745	66	105	37.2	55.0	H	7076	2072

**ULTRAHEAT**

Tel: 01908 271155 Web: [www.ultraheat.co.uk](http://www.ultraheat.co.uk)

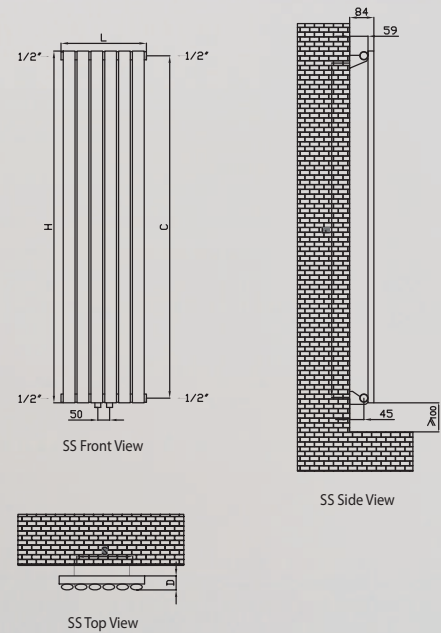
Technical specifications are subject to change without prior notice.

# SOFI VERTICAL

## Visual delight

These vertical bars generate a large amount of heat, while providing a visual and tactile delight available in white or mirror polished stainless steel.

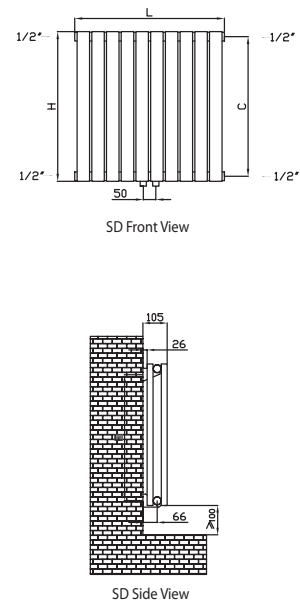
MODEL SHOWN: SS1804C



## SOFI VERTICAL

RAL 9016 C 10 95°C C V H 5 YEARS WARRANTY

Product Name	Height mm	Length mm	Depth mm	Pipe Centres mm	Wall to Pipe Centre mm	Wall to Face mm	Water Content lt	Gross Weight kg	Fuel Options E/H/D	Heat Output ΔT 50		Finish	
										BTU	Watts	White W	Chrome C
SS1504	1500	239	57	50-329	45	84	5.3	11.8	H	1503	440	✓	✓
SS1506	1500	357	57	50-457	45	84	8.0	17.7	E/H/D	2254	660	✓	✓
SS1804	1800	239	57	50-329	45	84	6.3	12.7	H	1803	528	✓	✓
SS1806	1800	357	57	50-447	45	84	9.5	19.1	E/H/D	2705	792	✓	✓
SS1809	1800	534	57	50-624	45	84	14.3	28.7	E/H/D	4057	1188	✓	✓
SS2004	2000	239	57	50-329	45	84	7.0	14.3	H	2005	587		✓
SS2006	2000	357	57	50-447	45	84	10.5	21.4	E/H/D	3005	880		✓
SD1505	1500	298	79	50-388	66	105	6.7	25.3	E/H/D	3755	1100	✓	
SD1507	1500	416	79	50-506	66	105	9.3	34.4	E/H/D	5259	1540	✓	
SD1805	1800	298	79	50-388	66	105	7.9	30.2	E/H/D	4508	1320	✓	
SD1807	1800	416	79	50-506	66	105	11.1	41.1	E/H/D	6311	1848	✓	
SD1809	1800	534	79	50-624	66	105	14.3	52.1	E/H/D	8114	2376	✓	
SD2005	2000	298	79	50-388	66	105	8.8	33.3	E/H/D	5013	1468	✓	
SD2007	2000	416	79	50-506	66	105	12.3	45.4	E/H/D	7018	2055	✓	
SD2009	2000	534	79	50-624	66	105	15.8	57.5	E/H/D	9022	2642	✓	



Technical specifications are subject to change without prior notice.



## SOVRAN VERTICAL

### *Sheer confidence*

An elegant radiator which uses convected heat to make this level of style affordable for every home. The Sovran range of radiators contain a high output steel panel convector inside the 304 stainless steel brushed matt cover.

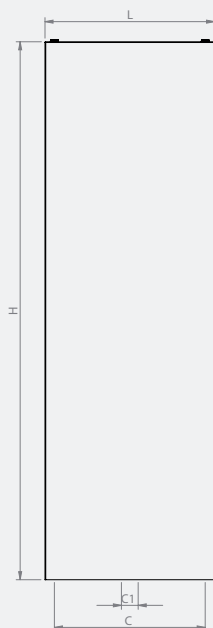
**R** MODEL SHOWN: D185V



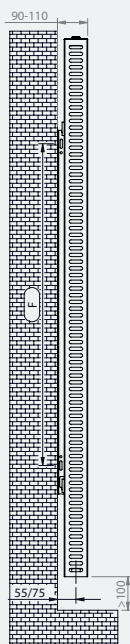
## SOVRAN VERTICAL

S BRUSHED MATT   
 10 WORKING PRESSURE   
 95°C WORKING TEMP.   
 C CLOSED SYSTEM   
 V MOUNT POS.   
 5 YEARS WARRANTY

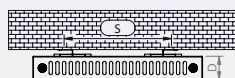
Product Name	Height mm	Length mm	Depth mm	Pipe Centres mm	Wall to Pipe Centre mm	Wall to Face mm	Water Content lt	Gross Weight kg	Fuel Options E/H/D	Heat Output $\Delta T$ 50	
										BTU	Watts
SOVD164v	1605	405	72	50-350	55-75	90-110	7.0	41.8	H	3530	1034
SOVD165v	1605	505	72	50-450	55-75	90-110	8.2	51.3	H	4292	1257
SOVD166v	1605	605	72	50-550	55-75	90-110	9.5	60.9	H	5042	1476
SOVD167v	1605	705	72	50-650	55-75	90-110	10.5	70.8	H	5772	1690
SOVD182v	1805	205	72	50-150	55-75	90-110	4.7	25.6	H	2469	723
SOVD183v	1805	305	72	50-250	55-75	90-110	6.3	36.7	H	2991	876
SOVD184v	1805	405	72	50-350	55-75	90-110	7.9	47.0	H	3851	1128
SOVD185v	1805	505	72	50-450	55-75	90-110	9.3	57.7	H	4688	1373
SOVD186v	1805	605	72	50-550	55-75	90-110	10.6	68.4	H	5505	1612
SOVD187v	1805	705	72	50-650	55-75	90-110	11.9	79.6	H	6300	1845
SOVD202v	2005	205	72	50-150	55-75	90-110	5.2	28.4	H	2745	804
SOVD203v	2005	305	72	50-250	55-75	90-110	7.0	40.8	H	3231	946
SOVD204v	2005	405	72	50-350	55-75	90-110	8.8	52.2	H	4162	1219
SOVD205v	2005	505	72	50-450	55-75	90-110	10.3	64.0	H	5064	1483
SOVD206v	2005	605	72	50-550	55-75	90-110	11.8	75.9	H	5947	1741
SOVD207v	2005	705	72	50-650	55-75	90-110	13.2	88.3	H	6810	1994
SOVS185v	1805	505	52	50-450	55-75	70-90	4.7	42.7	H	2174	637
SOVS186v	1805	605	52	50-550	55-75	70-90	5.4	50.5	H	2615	766
SOVS187v	1805	705	52	50-650	55-75	70-90	6.1	56.3	H	3497	1024
SOVS204v	2005	405	52	50-350	55-75	70-90	5.1	39.7	H	2333	683
SOVS205v	2005	505	52	50-450	55-75	70-90	5.3	47.4	H	2803	821
SOVS206v	2005	605	52	50-550	55-75	70-90	6.0	56.0	H	3273	959
SOVS207v	2005	705	52	50-650	55-75	70-90	6.8	62.5	H	3744	1096



Front View



Side View



Top View

# SOVRAN HORIZONTAL

## High heat output

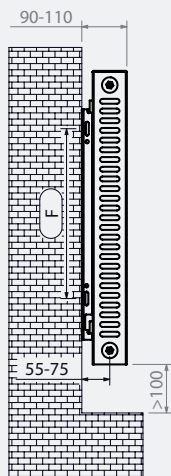
The horizontal model of the Sovran range of radiators also contains a high output steel panel convector inside the 304 stainless steel brushed matt cover.

MODEL SHOWN: SOVD605H

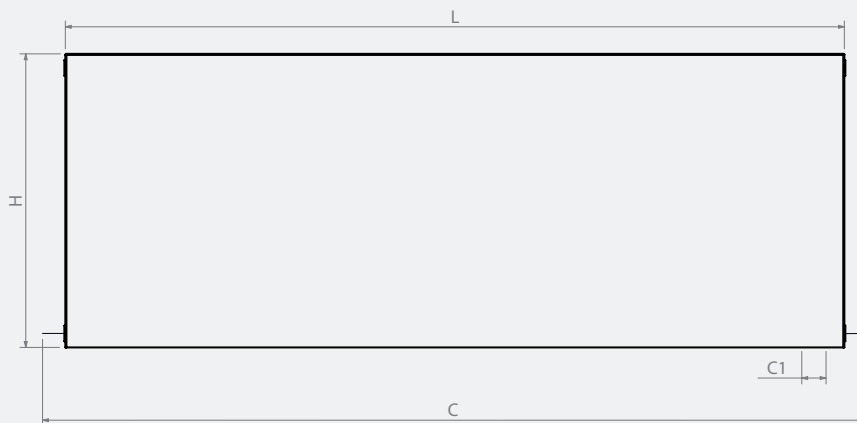
### SOVRAN HORIZONTAL

**S** BRUSHED MATT    **10** WORKING PRESSURE    **95°C** WORKING TEMP.    **C** CLOSED SYSTEM    **H** MOUNT POS.    **5 YEARS** WARRANTY

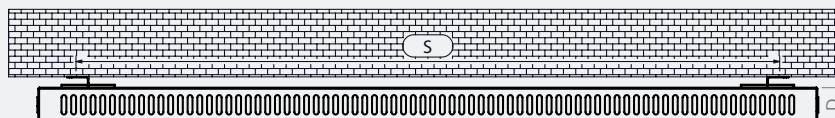
Product Name	Height mm	Length mm	Depth mm	Pipe Centres mm	Wall to Pipe Centre mm	Wall to Face mm	Water Content lt	Gross Weight kg	Fuel Options E/H/D	Heat Output ΔT 50	
										BTU	Watts
SOVD604h	605	405	72	50-495	55-75	90-110	2.4	16.3	H	2329	682
SOVD605h	605	505	72	50-595	55-75	90-110	3.0	20.1	H	2910	852
SOVD606h	605	605	72	50-695	55-75	90-110	3.6	23.9	H	3491	1022
SOVD607h	605	705	72	50-795	55-75	90-110	4.2	27.7	H	4075	1193
SOVD608h	605	805	72	50-895	55-75	90-110	4.7	31.4	H	4655	1363
SOVD609h	605	905	72	50-995	55-75	90-110	5.3	35.2	H	5239	1534
SOVD610h	605	1005	72	50-1095	55-75	90-110	5.9	39.0	H	5820	1704
SOVD611h	605	1105	72	50-1195	55-75	90-110	6.5	42.8	H	6401	1874
SOVD612h	605	1205	72	50-1295	55-75	90-110	7.1	46.5	H	6985	2045
SOVD614h	605	1405	72	50-1495	55-75	90-110	8.3	54.1	H	8150	2386
SOVD616h	605	1605	72	50-1695	55-75	90-110	9.5	61.6	H	9311	2727
SOVD618h	605	1805	72	50-1895	55-75	90-110	10.6	69.2	H	10476	3068
SOVD620h	605	2005	72	50-2095	55-75	90-110	11.8	76.7	H	11640	3409



Side View



Front View

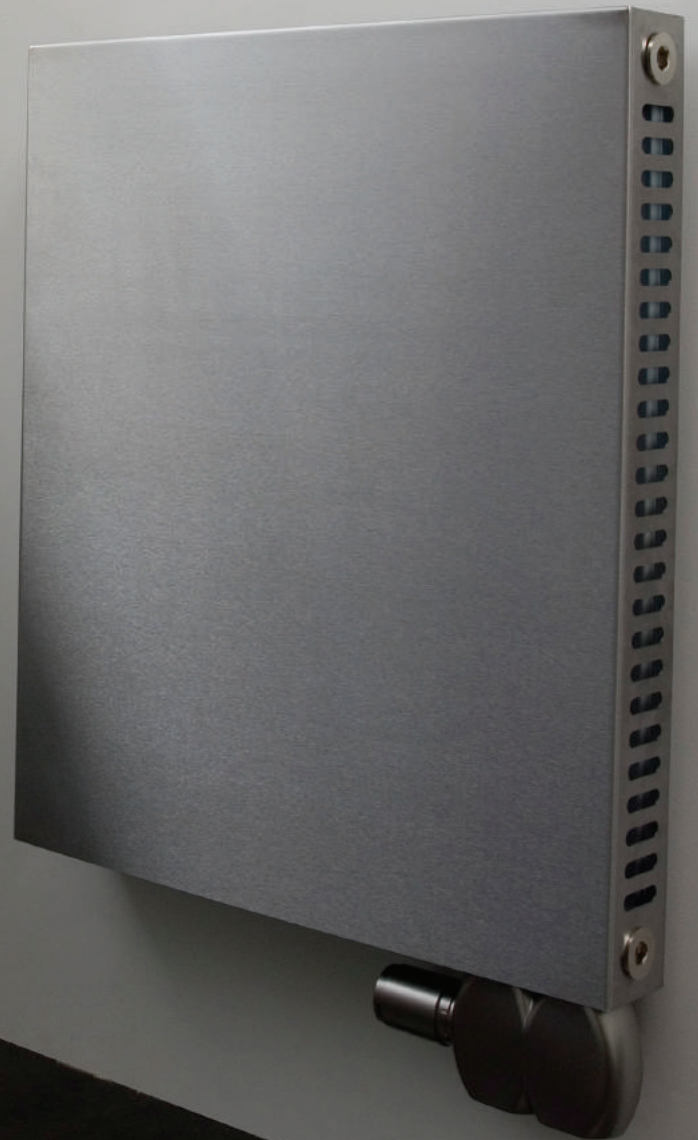


Top View



**SOVRAN**  
HORIZONTAL

33



Tel: 01908 271155 Web: [www.ultraheat.co.uk](http://www.ultraheat.co.uk)

**ULTRAHEAT**

## Spatial economy

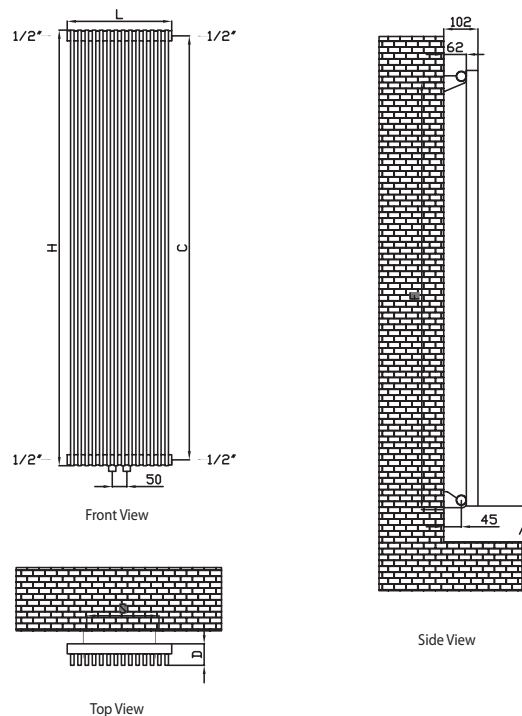
A new design that provides a high output for a limited wall space. Tilbrook is ideal for places such as kitchens and narrow areas. Available in white.

MODEL SHOWN: TS1806W

### TILBROOK

RAL 9016 10 95°C C V 5 YEARS  
 WHITE WORKING PRESSURE WORKING TEMP. CLOSED SYSTEM MOUNT POS. WARRANTY

Product Name	Height mm	Length mm	Depth mm	Pipe Centres mm	Wall to Pipe Centre mm	Wall to Face mm	Water Content lt	Gross Weight kg	Fuel Options E/H/D	Heat Output	
										BTU	ΔT 50 Watts
TS1504	1500	106	75	50-196	45	102	1.8	9.2	H	1527	447
TS1506	1500	156	75	50-246	45	102	2.7	13.0	H	2291	671
TS1508	1500	206	75	50-296	45	102	3.7	16.9	H	3053	894
TS1510	1500	256	75	50-346	45	102	4.6	20.7	E/H/D	3818	1118
TS1512	1500	306	75	50-396	45	102	5.5	24.6	E/H/D	4583	1342
TS1514	1500	356	75	50-446	45	102	6.4	28.5	E/H/D	5344	1565
TS1516	1500	406	75	50-496	45	102	7.3	32.3	E/H/D	6109	1789
TS1518	1500	456	75	50-546	45	102	8.3	36.2	E/H/D	6871	2012
TS1520	1500	506	75	50-596	45	102	9.2	40.2	E/H/D	7636	2236
TS1804	1800	106	75	50-196	45	102	2.2	11.0	H	1830	536
TS1806	1800	156	75	50-246	45	102	3.3	15.6	H	2746	804
TS1808	1800	206	75	50-296	45	102	4.3	20.8	H	3661	1072
TS1810	1800	256	75	50-346	45	102	5.4	26.0	E/H/D	4580	1341
TS1812	1800	306	75	50-396	45	102	6.5	29.5	E/H/D	5495	1609
TS1814	1800	356	75	50-446	45	102	7.6	34.4	E/H/D	6410	1877
TS1816	1800	406	75	50-496	45	102	8.7	38.7	E/H/D	7325	2145
TS1818	1800	456	75	50-546	45	102	9.8	43.3	E/H/D	8240	2413
TS1820	1800	506	75	50-596	45	102	10.9	48.1	E/H/D	9156	2681
TS2006	2000	156	75	50-246	45	102	3.6	17.2	H	3053	894
TS2008	2000	206	75	50-296	45	102	4.8	22.3	H	4071	1192
TS2010	2000	256	75	50-346	45	102	6.0	27.9	E/H/D	5088	1490
TS2012	2000	306	75	50-396	45	102	7.2	33.5	E/H/D	6106	1788
TS2014	2000	356	75	50-446	45	102	8.4	37.7	E/H/D	7120	2085
TS2016	2000	406	75	50-496	45	102	9.6	43.1	E/H/D	8138	2383
TS2018	2000	456	75	50-546	45	102	10.8	47.9	E/H/D	9156	2681
TS2020	2000	506	75	50-596	45	102	12.0	53.0	E/H/D	10173	2979





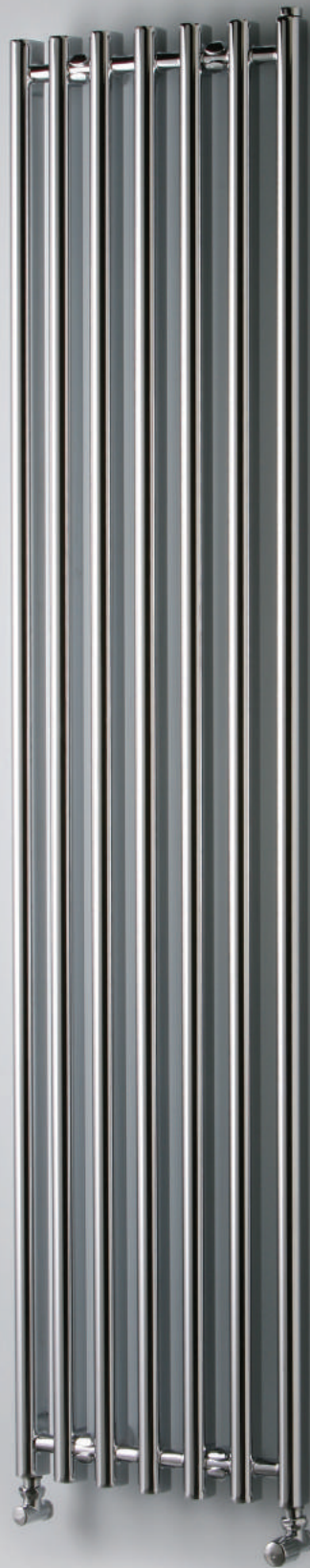
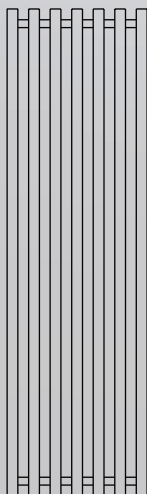
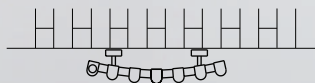




## Create a comfort zone

Tall and distinguished, Trojan's vertical lines and subtle curve will add a touch of sophistication to any interior. With the addition of towel hooks, this powerful radiator will also function as a unique towel warmer in the bathroom or kitchen.

MODELS SHOWN: RIGHT: TR4T18C  
BELOW: TR4T13B



### TROJAN

BLACK   
  CHROME   
  10   
  95°C   
  C   
  V   
  5 YEARS

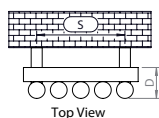
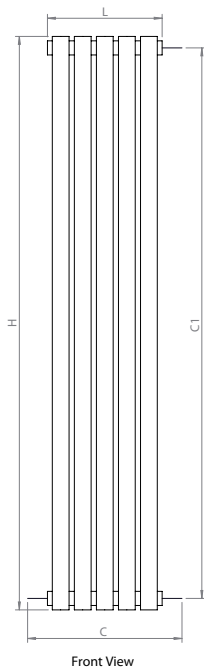
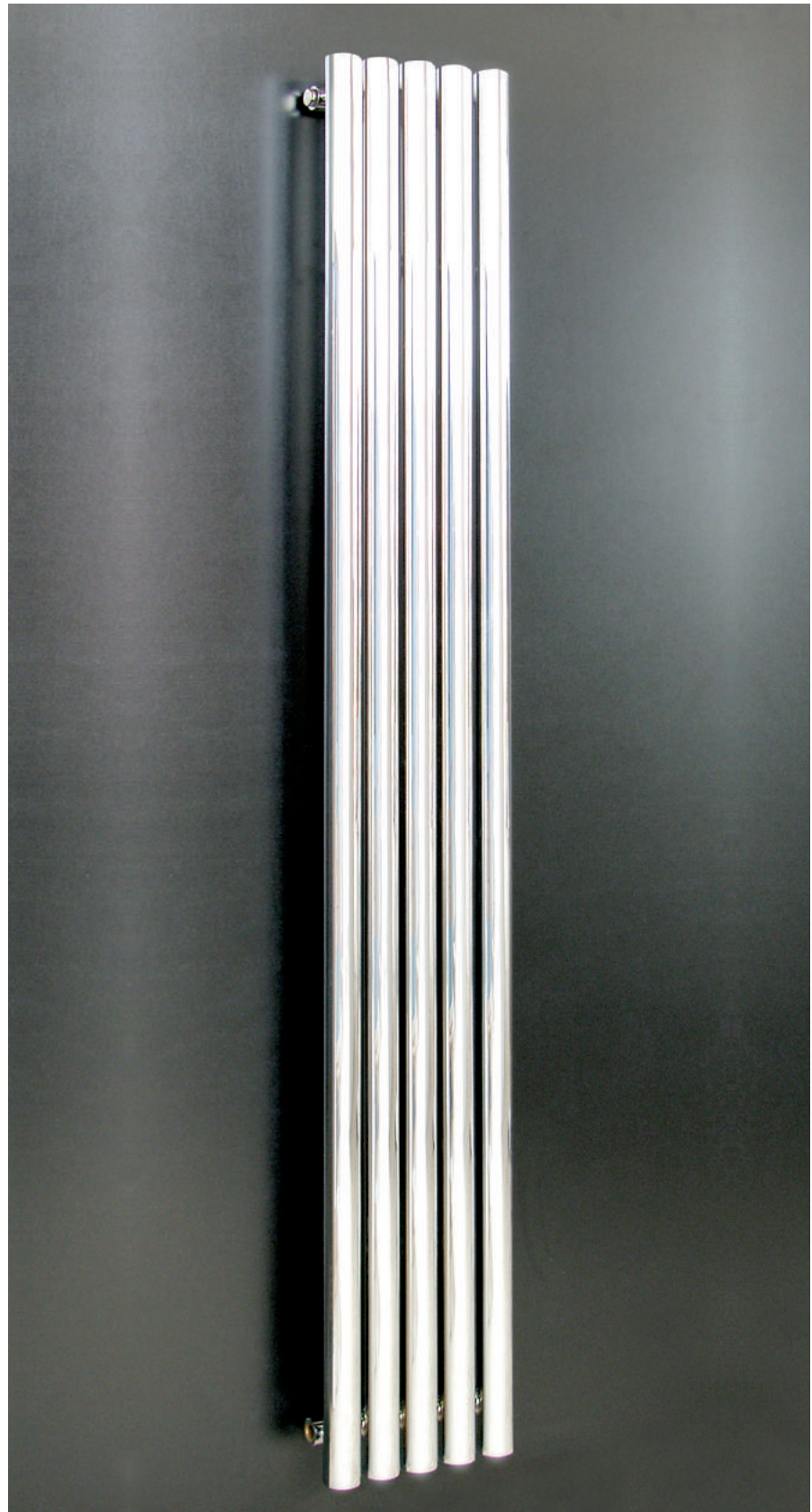
WORKING PRESSURE   
 WORKING TEMP.   
 CLOSED SYSTEM   
 MOUNT POS.   
 WARRANTY

Product Name	Height mm	Length mm	Depth mm	Pipe Centres mm	Wall to Pipe Centre mm	Wall to Face mm	Water Content lt	Gross Weight kg	Fuel Options E/H/D	Heat Output		Finish	
										ΔT 50 BTU	Watts	Black B	Chrome C
TR4T13	1300	390	60	360	45-60	85-100	8.5	15.17	E/H/D	3813	1116	✓	✓
TR4T18	1760	390	60	360	45-60	85-100	11.4	20.22	E/H/D	5163	1512	✓	✓
TRTH												✓	✓

*Warm with style*

This tubular radiator is the perfect complement to contemporary interiors with its minimal good looks. This radiator works all round the home, including kitchens and bathrooms.

MODEL SHOWN: 5IM18C



**IMPERIUM**

C CHROME   
 6 WORKING PRESSURE   
 95°C WORKING TEMP.   
 C CLOSED SYSTEM   
 V H MOUNT POS.   
 5 YEARS WARRANTY

Product Name	Height mm	Length mm	Depth mm	Pipe Centres mm	Wall to Pipe Centre mm	Wall to Face mm	Water Content lt	Gross Weight kg	Fuel Options E/H/D	Heat Output BTU	Heat Output ΔT 50 Watts
5IM13	1300	260	70	350-1248	60-75	115-130	6.8	9.6	E/H/D	2144	628
5IM18	1800	260	70	350-1748	60-75	115-130	9.3	12.7	E/H/D	2947	863

Technical specifications are subject to change without prior notice.

Tel: 01908 271155 Web: [www.ultraheat.co.uk](http://www.ultraheat.co.uk)





### *The Professionals' Choice*

- Perfect combination of efficient heating, reliability quality and value
- Easy-fit, high efficiency radiators - with a wide choice of sizes and shapes to suit any room at home or in the workplace
- Quick and simple and inexpensive to fit
- The most popular choice of heating solution amongst professional fitters of domestic radiators
- UK's largest range of "in stock" steel panel radiators

#### Ultraheat Compact 4 radiators come in four types:

- SF** Single Panel Single Convector – 4 connections (45mm deep)
- DF** Double Panel Double Convector – 4 connections (100mm deep)
- HF** Double Panel Single Convector – 4 connections (67mm deep)
- TS** Triple Panel Triple Convector – 6 connections (160mm deep)

**R** MODELS SHOWN: RIGHT: 200DF OPPOSITE PAGE: 6DF800

For prices, please refer to the Compact 4 brochure.

FINISH  RAL 9016 WHITE WORKING PRESSURE  10 10 BAR WARRANTY  10 YEARS



**ULTRAHEAT**

Tel: 01908 271155 Web: [www.ultraheat.co.uk](http://www.ultraheat.co.uk)

Technical specifications are subject to change without prior notice.

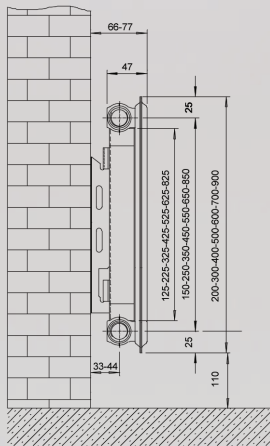




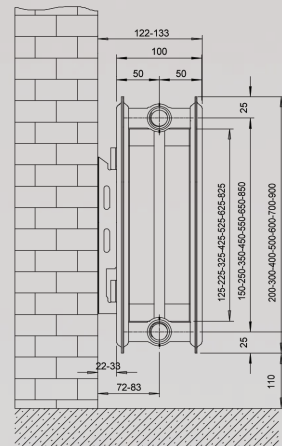
**Heights** 200, 300, 400, 500, 600, 700 & 900mm

**Lengths** 200, 300, 400, 500, 600, 700, 800, 900, 1000, 1100, 1200, 1300, 1400, 1600, 1800, 2000, 2200, 2400, 2700 & 3000mm

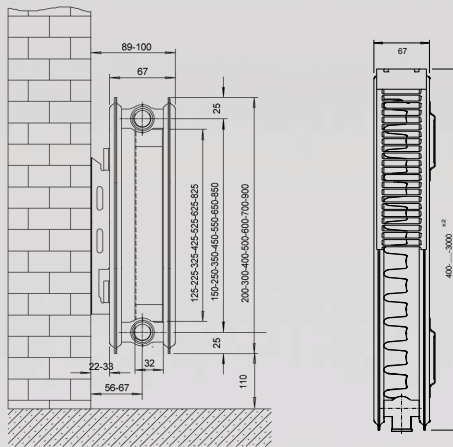
PLEASE REFER TO COMPACT 4 BROCHURE FOR MORE INFORMATION.



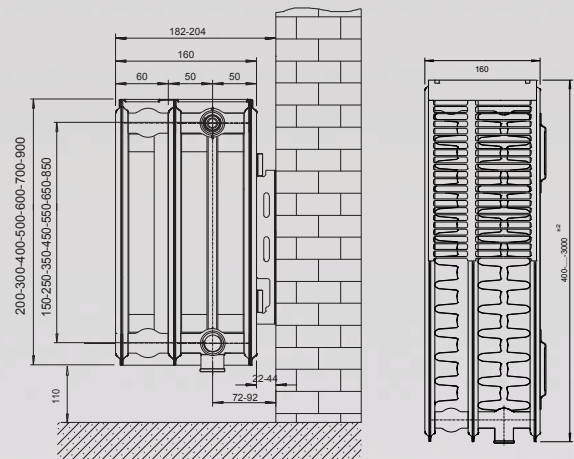
**SF RANGE**



**DF RANGE**



**HF RANGE**



**TS RANGE**

# PLANAL HORIZONTAL



## *Smooth heating*

Planal Horizontal radiators are ideal for modern living rooms or offices where the look of your choice can be easily extended across a flat, smooth, horizontally mounted heating surface.

**R** MODEL SHOWN: 6PDS800

## PLANAL HORIZONTAL

RAL 9016  
 10 WORKING PRESSURE  
 95°C WORKING TEMP.  
 C CLOSED SYSTEM  
 H MOUNT POS.  
 5 YEARS WARRANTY

Product Name	Height mm	Length mm	Depth mm	Pipe Centres mm	Wall to Pipe Centre mm	Wall to Face mm	Water Content lt	Gross Weight kg	Fuel Options E/H/D	Heat Output ΔT 50	
										BTU	Watts

### Type PSS

3PSS500	300	500	52	590 - 50	33-44	70-81	0.7	6.7	H	888	260
3PSS800	300	800	52	890 - 50	33-44	70-81	1.1	9.9	H	1419	415
3PSS1000	300	1000	52	1090 - 50	33-44	70-81	1.4	12.0	H	1774	519
3PSS1200	300	1200	52	1290 - 50	33-44	70-81	1.7	14.2	H	2129	623
3PSS1400	300	1400	52	1490 - 50	33-44	70-81	2.0	16.3	H	2484	727
3PSS2000	300	2000	52	2090 - 50	33-44	70-81	2.8	22.8	H	3548	1039

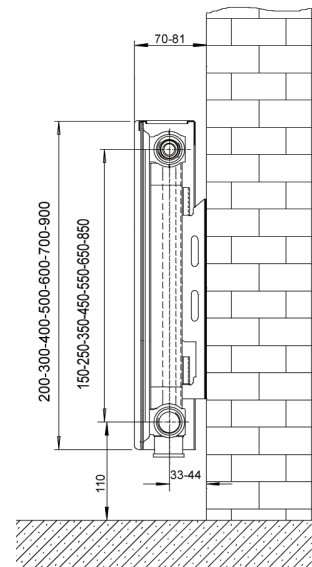
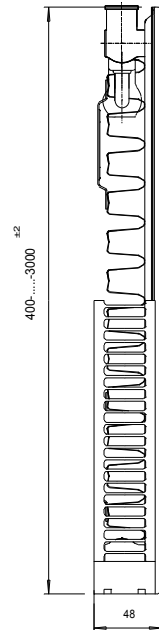
4PSS400	400	400	52	490 - 50	33-44	70-81	0.8	7.3	H	914	268
4PSS500	400	500	52	590 - 50	33-44	70-81	1.0	8.7	H	1143	335
4PSS600	400	600	52	690 - 50	33-44	70-81	1.2	10.1	H	1372	401
4PSS700	400	700	52	790 - 50	33-44	70-81	1.4	11.5	H	1600	468
4PSS800	400	800	52	890 - 50	33-44	70-81	1.6	12.9	H	1829	535
4PSS900	400	900	52	990 - 50	33-44	70-81	1.8	14.3	H	2057	602
4PSS1000	400	1000	52	1090 - 50	33-44	70-81	2.0	15.7	H	2286	669
4PSS1100	400	1100	52	1190 - 50	33-44	70-81	2.2	16.8	H	2515	736
4PSS1200	400	1200	52	1290 - 50	33-44	70-81	2.3	18.5	H	2743	803
4PSS1400	400	1400	52	1490 - 50	33-44	70-81	2.7	21.3	H	3200	937
4PSS1600	400	1600	52	1690 - 50	33-44	70-81	3.1	24.1	H	3658	1070
4PSS1800	400	1800	52	1890 - 50	33-44	70-81	3.5	27.1	H	4115	1204
4PSS2000	400	2000	52	2090 - 50	33-44	70-81	3.9	29.9	H	4572	1338

5PSS400	500	400	52	490 - 50	33-44	70-81	1.0	8.9	H	1099	322
5PSS500	500	500	52	590 - 50	33-44	70-81	1.2	10.7	H	1374	402
5PSS600	500	600	52	690 - 50	33-44	70-81	1.5	12.4	H	1649	482
5PSS700	500	700	52	790 - 50	33-44	70-81	1.7	14.2	H	1924	563
5PSS800	500	800	52	890 - 50	33-44	70-81	2.0	15.9	H	2198	643
5PSS900	500	900	52	990 - 50	33-44	70-81	2.2	17.6	H	2473	724
5PSS1000	500	1000	52	1090 - 50	33-44	70-81	2.5	19.4	H	2748	804
5PSS1100	500	1100	52	1190 - 50	33-44	70-81	2.7	20.7	H	3023	884
5PSS1200	500	1200	52	1290 - 50	33-44	70-81	3.0	22.9	H	3298	965
5PSS1400	500	1400	52	1490 - 50	33-44	70-81	3.4	26.4	H	3847	1126
5PSS1600	500	1600	52	1690 - 50	33-44	70-81	3.9	29.9	H	4397	1286
5PSS1800	500	1800	52	1890 - 50	33-44	70-81	4.4	33.6	H	4946	1447
5PSS2000	500	2000	52	2090 - 50	33-44	70-81	4.9	37.1	H	5496	1608

6PSS400	600	400	52	490 - 50	33-44	70-81	1.2	10.5	H	1272	372
6PSS500	600	500	52	590 - 50	33-44	70-81	1.5	12.6	H	1591	466
6PSS600	600	600	52	690 - 50	33-44	70-81	1.8	14.7	H	1909	559
6PSS700	600	700	52	790 - 50	33-44	70-81	2.1	16.8	H	2227	652
6PSS800	600	800	52	890 - 50	33-44	70-81	2.4	18.9	H	2545	745
6PSS900	600	900	52	990 - 50	33-44	70-81	2.7	21.0	H	2863	838
6PSS1000	600	1000	52	1090 - 50	33-44	70-81	3.0	23.1	H	3181	931
6PSS1100	600	1100	52	1190 - 50	33-44	70-81	3.3	25.2	H	3499	1024
6PSS1200	600	1200	52	1290 - 50	33-44	70-81	3.6	27.3	H	3817	1117
6PSS1400	600	1400	52	1490 - 50	33-44	70-81	4.2	31.5	H	4453	1303
6PSS1600	600	1600	52	1690 - 50	33-44	70-81	4.8	35.6	H	5090	1490
6PSS1800	600	1800	52	1890 - 50	33-44	70-81	5.8	40.1	H	5726	1676
6PSS2000	600	2000	52	2090 - 50	33-44	70-81	6.0	44.3	H	6362	1862

7PSS400	700	400	52	490 - 50	33-44	70-81	1.4	12.2	H	1434	420
7PSS500	700	500	52	590 - 50	33-44	70-81	1.8	14.6	H	1792	525
7PSS600	700	600	52	690 - 50	33-44	70-81	2.1	17.0	H	2150	629
7PSS700	700	700	52	790 - 50	33-44	70-81	2.5	19.5	H	2509	734
7PSS800	700	800	52	890 - 50	33-44	70-81	2.8	21.3	H	2867	839
7PSS900	700	900	52	990 - 50	33-44	70-81	3.2	24.3	H	3226	944
7PSS1000	700	1000	52	1090 - 50	33-44	70-81	3.5	26.8	H	3584	1049
7PSS1100	700	1100	52	1190 - 50	33-44	70-81	3.9	29.2	H	3942	1154
7PSS1200	700	1200	52	1290 - 50	33-44	70-81	4.2	31.2	H	4301	1259
7PSS1400	700	1400	52	1490 - 50	33-44	70-81	4.9	36.5	H	5018	1469

9PSS400	900	400	52	490 - 50	33-44	70-81	1.6	15.4	H	1720	503
9PSS500	900	500	52	590 - 50	33-44	70-81	2.1	18.5	H	2150	629
9PSS600	900	600	52	690 - 50	33-44	70-81	2.5	21.6	H	2580	755
9PSS700	900	700	52	790 - 50	33-44	70-81	2.9	24.8	H	3010	881

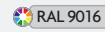


PSS



# PLANAL HORIZONTAL

## PLANAL HORIZONTAL



WHITE WORKING PRESSURE WORKING TEMP. CLOSED SYSTEM MOUNT POS. WARRANTY

Product Name	Height mm	Length mm	Depth mm	Pipe Centres mm	Wall to Pipe Centre mm	Wall to Face mm	Water Content lt	Gross Weight kg	Fuel Options E/H/D	Heat Output ΔT 50	BTU	Watts
--------------	-----------	-----------	----------	-----------------	------------------------	-----------------	------------------	-----------------	--------------------	-------------------	-----	-------

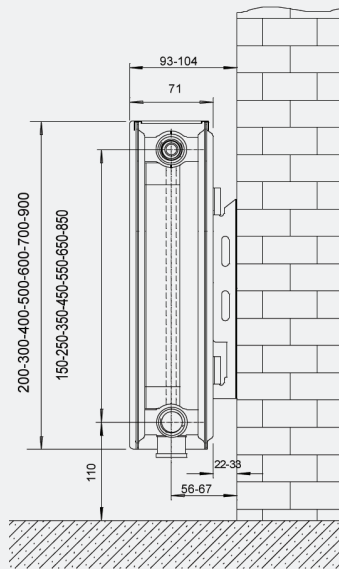
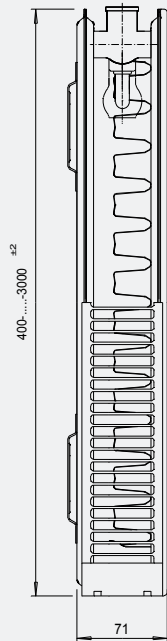
### Type PHS

4PHS400	400	400	69	490 - 50	56-67	93-104	1.7	10.4	H	1370	401
4PHS500	400	500	69	590 - 50	56-67	93-104	2.1	12.5	H	1714	502
4PHS600	400	600	69	690 - 50	56-67	93-104	2.5	14.6	H	2056	602
4PHS700	400	700	69	790 - 50	56-67	93-104	2.9	16.8	H	2399	702
4PHS800	400	800	69	890 - 50	56-67	93-104	3.4	18.9	H	2742	802
4PHS900	400	900	69	990 - 50	56-67	93-104	3.8	21.1	H	3084	903
4PHS1000	400	1000	69	1090 - 50	56-67	93-104	4.2	23.2	H	3427	1003
4PHS1100	400	1100	69	1190 - 50	56-67	93-104	4.6	25.3	H	3770	1103
4PHS1200	400	1200	69	1290 - 50	56-67	93-104	5.0	27.5	H	4112	1204
4PHS1400	400	1400	69	1490 - 50	56-67	93-104	5.9	31.7	H	4798	1404
4PHS1600	400	1600	69	1690 - 50	56-67	93-104	6.7	36.0	H	5483	1605
4PHS1800	400	1800	69	1890 - 50	56-67	93-104	7.6	40.5	H	6169	1805
4PHS2000	400	2000	69	2090 - 50	56-67	93-104	8.4	44.7	H	6854	2006

5PHS400	500	400	69	490 - 50	56-67	93-104	2.0	12.7	H	1649	483
5PHS500	500	500	69	590 - 50	56-67	93-104	2.6	15.4	H	2061	604
5PHS600	500	600	69	690 - 50	56-67	93-104	3.1	18.0	H	2473	724
5PHS700	500	700	69	790 - 50	56-67	93-104	3.6	20.7	H	2885	845
5PHS800	500	800	69	890 - 50	56-67	93-104	4.1	23.3	H	3298	966
5PHS900	500	900	69	990 - 50	56-67	93-104	4.6	26.0	H	3710	1086
5PHS1000	500	1000	69	1090 - 50	56-67	93-104	5.1	28.6	H	4122	1207
5PHS1100	500	1100	69	1190 - 50	56-67	93-104	5.6	31.3	H	4534	1328
5PHS1200	500	1200	69	1290 - 50	56-67	93-104	6.1	34.0	H	4946	1448
5PHS1400	500	1400	69	1490 - 50	56-67	93-104	7.1	39.3	H	5771	1690
5PHS1600	500	1600	69	1690 - 50	56-67	93-104	8.2	44.6	H	6595	1931
5PHS1800	500	1800	69	1890 - 50	56-67	93-104	9.2	50.1	H	7420	2173
5PHS2000	500	2000	69	2090 - 50	56-67	93-104	10.2	55.4	H	8244	2414

6PHS400	600	400	69	490 - 50	56-67	93-104	2.3	15.0	H	1911	560
6PHS500	600	500	69	590 - 50	56-67	93-104	2.9	18.2	H	2389	700
6PHS600	600	600	69	690 - 50	56-67	93-104	3.5	21.4	H	2867	839
6PHS700	600	700	69	790 - 50	56-67	93-104	4.1	24.6	H	3345	979
6PHS800	600	800	69	890 - 50	56-67	93-104	4.6	27.7	H	3822	1119
6PHS900	600	900	69	990 - 50	56-67	93-104	5.2	30.9	H	4300	1259
6PHS1000	600	1000	69	1090 - 50	56-67	93-104	5.8	34.1	H	4778	1399
6PHS1100	600	1100	69	1190 - 50	56-67	93-104	6.4	37.2	H	5256	1539
6PHS1200	600	1200	69	1290 - 50	56-67	93-104	7.0	40.4	H	5734	1679
6PHS1400	600	1400	69	1490 - 50	56-67	93-104	8.1	46.8	H	6689	1959
6PHS1600	600	1600	69	1690 - 50	56-67	93-104	9.3	53.1	H	7645	2238
6PHS1800	600	1800	69	1890 - 50	56-67	93-104	10.4	59.8	H	8600	2518
6PHS2000	600	2000	69	2090 - 50	56-67	93-104	11.6	66.1	H	9556	2798

7PHS400	700	400	69	490 - 50	56-67	93-104	2.6	16.0	H	2229	653
7PHS500	700	500	69	590 - 50	56-67	93-104	3.3	21.1	H	2787	816
7PHS600	700	600	69	690 - 50	56-67	93-104	3.9	23.4	H	3344	979
7PHS700	700	700	69	790 - 50	56-67	93-104	4.5	27.1	H	3901	1142
7PHS800	700	800	69	890 - 50	56-67	93-104	5.2	30.8	H	4459	1306
7PHS900	700	900	69	990 - 50	56-67	93-104	5.8	34.5	H	5016	1469
7PHS1000	700	1000	69	1090 - 50	56-67	93-104	6.5	38.2	H	5573	1632
7PHS1200	700	1200	69	1190 - 50	56-67	93-104	7.8	45.5	H	6688	1958



PHS

## PLANAL HORIZONTAL

 RAL 9016  
 WORKING PRESSURE  
 WORKING TEMP. 95°C  
 CLOSED SYSTEM  
 MOUNT POS. H  
 WARRANTY 5 YEARS

Product Name	Height mm	Length mm	Depth mm	Pipe Centres mm	Wall to Pipe Centre mm	Wall to Face mm	Water Content lt	Gross Weight kg	Fuel Options E/H/D	Heat Output ΔT 50	
										BTU	Watts

### Type PDS

3PDS500	300	500	102	590 - 50	72-83	126-137	1.7	10.9	H	1725	505
3PDS800	300	800	102	890 - 50	72-83	126-137	2.7	16.2	H	2760	808
3PDS1000	300	1000	102	1090 - 50	72-83	126-137	3.4	19.8	H	3450	1010
3PDS1200	300	1200	102	1290 - 50	72-83	126-137	4.1	23.3	H	4140	1212
3PDS1400	300	1400	102	1490 - 50	72-83	126-137	4.8	26.9	H	4830	1414
3PDS2000	300	2000	102	2090 - 50	72-83	126-137	6.8	37.7	H	6900	2020

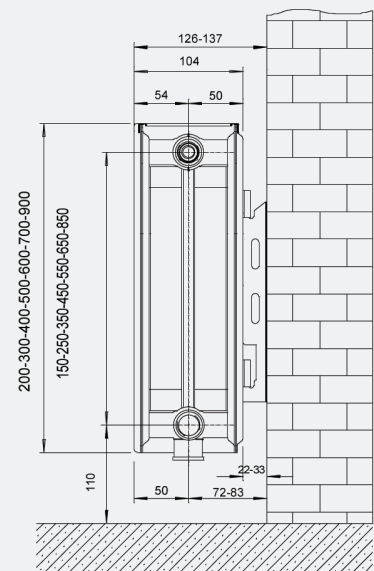
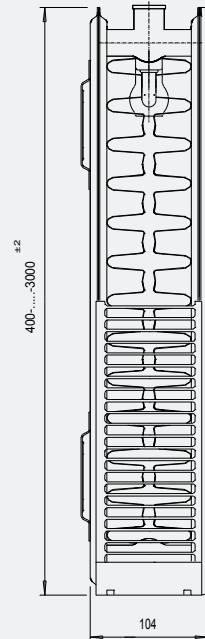
4PDS400	400	400	102	490 - 50	72-83	126-137	1.7	11.7	H	1767	517
4PDS500	400	500	102	590 - 50	72-83	126-137	2.2	14.1	H	2209	647
4PDS600	400	600	102	690 - 50	72-83	126-137	2.6	16.5	H	2650	776
4PDS700	400	700	102	790 - 50	72-83	126-137	3.0	18.9	H	3092	905
4PDS800	400	800	102	890 - 50	72-83	126-137	3.4	21.2	H	3534	1034
4PDS900	400	900	102	990 - 50	72-83	126-137	3.9	23.6	H	3975	1164
4PDS1000	400	1000	102	1090 - 50	72-83	126-137	4.3	26.0	H	4417	1293
4PDS1100	400	1100	102	1190 - 50	72-83	126-137	4.7	27.4	H	4859	1422
4PDS1200	400	1200	102	1290 - 50	72-83	126-137	5.2	30.8	H	5300	1552
4PDS1400	400	1400	102	1490 - 50	72-83	126-137	6.0	35.5	H	6184	1810
4PDS1600	400	1600	102	1690 - 50	72-83	126-137	6.9	40.3	H	7067	2069
4PDS1800	400	1800	102	1890 - 50	72-83	126-137	7.7	45.2	H	7951	2327
4PDS2000	400	2000	102	2090 - 50	72-83	126-137	8.6	50.0	H	8834	2586

5PDS400	500	400	102	490 - 50	72-83	126-137	2.1	14.4	H	2124	622
5PDS500	500	500	102	590 - 50	72-83	126-137	2.6	17.3	H	2655	777
5PDS600	500	600	102	690 - 50	72-83	126-137	3.1	20.3	H	3185	932
5PDS700	500	700	102	790 - 50	72-83	126-137	3.6	23.3	H	3716	1088
5PDS800	500	800	102	890 - 50	72-83	126-137	4.2	26.2	H	4247	1243
5PDS900	500	900	102	990 - 50	72-83	126-137	4.7	29.2	H	4778	1399
5PDS1000	500	1000	102	1090 - 50	72-83	126-137	5.2	32.2	H	5309	1554
5PDS1100	500	1100	102	1190 - 50	72-83	126-137	5.7	34.8	H	5840	1709
5PDS1200	500	1200	102	1290 - 50	72-83	126-137	6.2	38.1	H	6371	1865
5PDS1400	500	1400	102	1490 - 50	72-83	126-137	7.3	44.1	H	7433	2176
5PDS1600	500	1600	102	1690 - 50	72-83	126-137	8.3	50.0	H	8494	2486
5PDS1800	500	1800	102	1890 - 50	72-83	126-137	9.3	56.2	H	9556	2797
5PDS2000	500	2000	102	2090 - 50	72-83	126-137	10.4	62.1	H	10618	3108

6PDS400	600	400	102	490 - 50	72-83	126-137	2.4	17.0	H	2452	718
6PDS500	600	500	102	590 - 50	72-83	126-137	3.0	20.6	H	3065	897
6PDS600	600	600	102	690 - 50	72-83	126-137	3.6	24.1	H	3677	1076
6PDS700	600	700	102	790 - 50	72-83	126-137	4.1	27.7	H	4290	1256
6PDS800	600	800	102	890 - 50	72-83	126-137	4.7	31.3	H	4903	1435
6PDS900	600	900	102	990 - 50	72-83	126-137	5.3	34.8	H	5516	1615
6PDS1000	600	1000	102	1090 - 50	72-83	126-137	5.9	38.4	H	6129	1794
6PDS1100	600	1100	102	1190 - 50	72-83	126-137	6.5	41.9	H	6742	1973
6PDS1200	600	1200	102	1290 - 50	72-83	126-137	7.1	45.5	H	7355	2153
6PDS1400	600	1400	102	1490 - 50	72-83	126-137	8.3	52.6	H	8581	2512
6PDS1600	600	1600	102	1690 - 50	72-83	126-137	9.5	59.7	H	9806	2870
6PDS1800	600	1800	102	1890 - 50	72-83	126-137	10.6	67.2	H	11032	3229
6PDS2000	600	2000	102	2090 - 50	72-83	126-137	11.8	74.3	H	12258	3588

7PDS400	700	400	102	490 - 50	72-83	126-137	2.7	19.7	H	2755	806
7PDS500	700	500	102	590 - 50	72-83	126-137	3.4	23.8	H	3444	1008
7PDS600	700	600	102	690 - 50	72-83	126-137	4.1	28.0	H	4132	1210
7PDS700	700	700	102	790 - 50	72-83	126-137	4.8	32.1	H	4821	1411
7PDS800	700	800	102	890 - 50	72-83	126-137	5.5	36.3	H	5510	1613
7PDS900	700	900	102	990 - 50	72-83	126-137	6.1	40.4	H	6198	1814
7PDS1000	700	1000	102	1090 - 50	72-83	126-137	6.8	44.6	H	6887	2016
7PDS1100	700	1100	102	1190 - 50	72-83	126-137	7.5	47.1	H	7576	2218
7PDS1200	700	1200	102	1290 - 50	72-83	126-137	8.2	52.9	H	8264	2419
7PDS1400	700	1400	102	1490 - 50	72-83	126-137	9.5	61.2	H	9642	2822

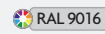
9PDS400	900	400	102	490 - 50	72-83	126-137	3.1	25.0	H	3289	963
9PDS500	900	500	102	590 - 50	72-83	126-137	3.9	30.3	H	4111	1203
9PDS600	900	600	102	690 - 50	72-83	126-137	4.7	35.6	H	4933	1444
9PDS700	900	700	102	790 - 50	72-83	126-137	5.5	40.9	H	5755	1685



PDS

# PLANAL HORIZONTAL

## PLANAL HORIZONTAL



WHITE



WORKING PRESSURE



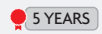
WORKING TEMP.



CLOSED SYSTEM



MOUNT POS.



WARRANTY

Product Name	Height mm	Length mm	Depth mm	Pipe Centres mm	Wall to Pipe Centre mm	Wall to Face mm	Water Content lt	Gross Weight kg	Fuel Options E/H/D	Heat Output ΔT 50	BTU	Watts
--------------	-----------	-----------	----------	-----------------	------------------------	-----------------	------------------	-----------------	--------------------	-------------------	-----	-------

### Type PTS

\*SPECIAL ORDER ONLY - TYPE PTS MODELS NOT AVAILABLE FROM STOCK

2PTS600	200	600	164	690 - 50	72-83	186-197	2.4	12.3	H	1738	509
2PTS800	200	800	164	890 - 50	72-83	186-197	3.2	16.4	H	2322	680
2PTS1000	200	1000	164	1090 - 50	72-83	186-197	4.0	20.5	H	2903	850
2PTS1400	200	1400	164	1490 - 50	72-83	186-197	5.6	28.7	H	4064	1190
2PTS2000	200	2000	164	2090 - 50	72-83	186-197	8.0	41.0	H	5802	1699
2PTS2400	200	2400	164	2490 - 50	72-83	186-197	9.6	49.2	H	6963	2039

3PTS500	300	500	164	590 - 50	72-83	186-197	12.7	14.4	H	2104	616
3PTS600	300	600	164	690 - 50	72-83	186-197	15.2	17.0	H	2534	742
3PTS800	300	800	164	890 - 50	72-83	186-197	20.2	22.0	H	3374	988
3PTS1000	300	1000	164	1090 - 50	72-83	186-197	25.3	27.0	H	4221	1236
3PTS1200	300	1200	164	1290 - 50	72-83	186-197	30.4	32.1	H	5064	1483
3PTS1400	300	1400	164	1490 - 50	72-83	186-197	35.4	37.1	H	5908	1730
3PTS1600	300	1600	164	1690 - 50	72-83	186-197	40.5	42.2	H	6758	1979
3PTS1800	300	1800	164	1890 - 50	72-83	186-197	45.5	47.2	H	7595	2224
3PTS2000	300	2000	164	2090 - 50	72-83	186-197	50.6	52.2	H	8442	2472

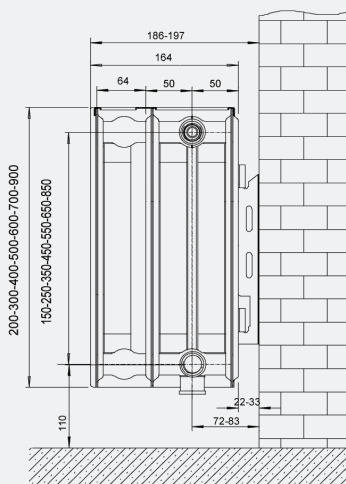
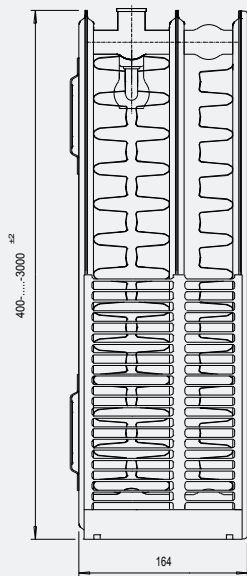
4PTS500	400	500	164	590 - 50	72-83	186-197	3.2	18.9	H	2697	790
4PTS600	400	600	164	690 - 50	72-83	186-197	3.8	22.2	H	3248	951
4PTS800	400	800	164	890 - 50	72-83	186-197	5.1	28.9	H	4327	1267
4PTS1000	400	1000	164	1090 - 50	72-83	186-197	6.4	35.7	H	5409	1584
4PTS1200	400	1200	164	1290 - 50	72-83	186-197	7.6	42.4	H	6495	1902
4PTS1400	400	1400	164	1490 - 50	72-83	186-197	8.9	49.1	H	7574	2218
4PTS1600	400	1600	164	1690 - 50	72-83	186-197	10.2	55.8	H	8657	2535
4PTS1800	400	1800	164	1890 - 50	72-83	186-197	11.4	62.6	H	9740	2852
4PTS2000	400	2000	164	2090 - 50	72-83	186-197	12.7	69.3	H	10822	3169

5PTS400	500	400	164	490 - 50	72-83	186-197	3.0	19.1	H	3254	953
5PTS500	500	500	164	590 - 50	72-83	186-197	3.8	23.3	H	3887	1138
5PTS600	500	600	164	690 - 50	72-83	186-197	4.6	27.5	H	3900	1142
5PTS800	500	800	164	890 - 50	72-83	186-197	6.1	35.9	H	5201	1523
5PTS1000	500	1000	164	1090 - 50	72-83	186-197	7.6	44.3	H	6502	1904
5PTS1200	500	1200	164	1290 - 50	72-83	186-197	9.1	52.7	H	7803	2285
5PTS1400	500	1400	164	1490 - 50	72-83	186-197	10.7	61.1	H	9104	2666
5PTS1600	500	1600	164	1690 - 50	72-83	186-197	12.2	69.5	H	10402	3046
5PTS1800	500	1800	164	1890 - 50	72-83	186-197	13.7	77.9	H	11707	3428
5PTS2000	500	2000	164	2090 - 50	72-83	186-197	15.2	86.3	H	13008	3809

6PTS400	600	400	164	490 - 50	72-83	186-197	3.6	22.6	H	3002	879
6PTS500	600	500	164	590 - 50	72-83	186-197	4.5	27.7	H	3739	1095
6PTS600	600	600	164	690 - 50	72-83	186-197	5.3	32.7	H	4501	1318
6PTS800	600	800	164	890 - 50	72-83	186-197	7.1	42.8	H	6004	1758
6PTS900	600	900	164	990 - 50	72-83	186-197	8.0	47.8	H	6732	1971
6PTS1000	600	1000	164	1090 - 50	72-83	186-197	8.9	52.9	H	7506	2198
6PTS1200	600	1200	164	1290 - 50	72-83	186-197	10.7	63.0	H	9005	2637
6PTS1400	600	1400	164	1490 - 50	72-83	186-197	12.5	73.0	H	10508	3077
6PTS1600	600	1600	164	1690 - 50	72-83	186-197	14.3	83.1	H	12007	3516
6PTS1800	600	1800	164	1890 - 50	72-83	186-197	16.0	93.2	H	13510	3956
6PTS2000	600	2000	164	2090 - 50	72-83	186-197	17.8	103.3	H	15009	4395

7PTS400	700	400	164	490 - 50	72-83	186-197	4.1	26.2	H	3357	983
7PTS500	700	500	164	590 - 50	72-83	186-197	5.1	32.1	H	4196	1229
7PTS600	700	600	164	690 - 50	72-83	186-197	6.1	37.9	H	5033	1474
7PTS800	700	800	164	890 - 50	72-83	186-197	8.1	49.7	H	6711	1965
7PTS1000	700	1000	164	1090 - 50	72-83	186-197	10.2	61.5	H	8390	2457

9PTS400	900	400	164	490 - 50	72-83	186-197	4.8	33.3	H	3991	1169
9PTS500	900	500	164	590 - 50	72-83	186-197	6.0	40.8	H	4989	1461
9PTS600	900	600	164	690 - 50	72-83	186-197	7.2	48.4	H	5988	1753
9PTS800	900	800	164	890 - 50	72-83	186-197	9.6	63.5	H	7982	2337
9PTS1000	900	1000	164	1090 - 50	72-83	186-197	12.0	78.6	H	9979	2922

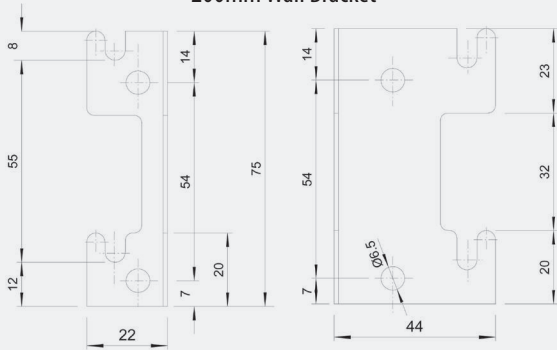




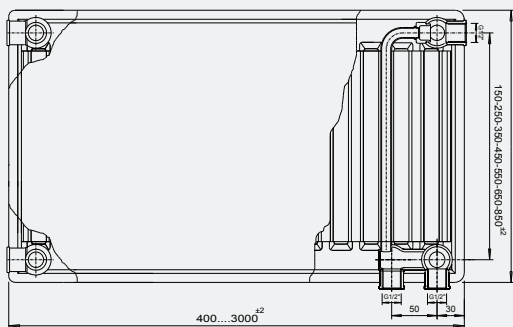
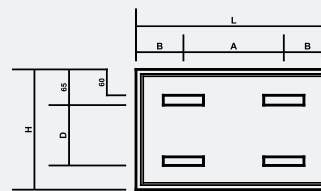
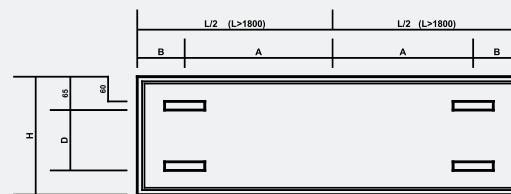
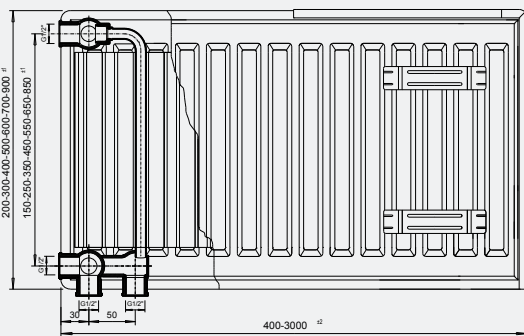
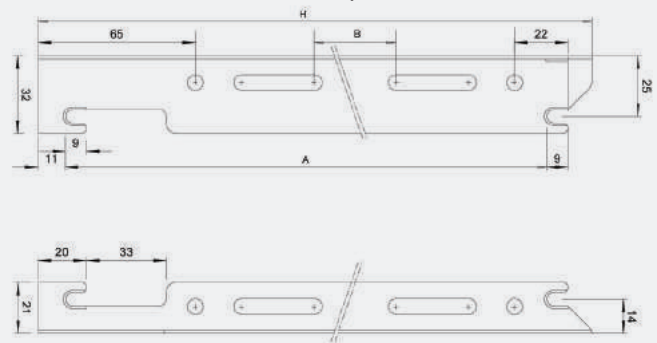
## CONCEALED WALL BRACKETS

Height mm	H	A	B
300	185	155	-
400	285	255	90
500	385	355	190
600	485	455	290
700	585	555	390
900	785	755	590

200mm Wall Bracket



from 300mm upwards

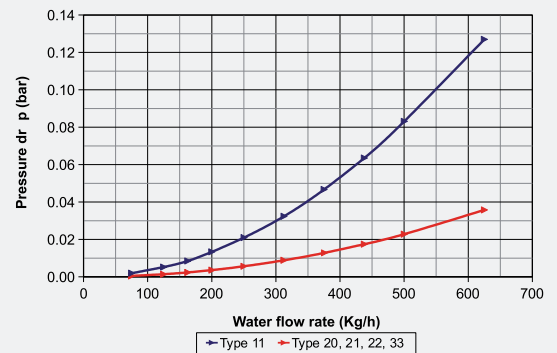


Radiator Length L mm	PHS, PDS, PTS		PSS		Rows of Brackets Lugs
	A mm	B mm	A mm	B mm	
400	200	100	170	115	2
500	300	100	270	115	2
600	400	100	370	115	2
700	500	100	470	115	2
800	600	100	570	115	2
900	700	100	670	115	2
1000	800	100	770	115	2
1100	900	100	870	115	2
1200	1000	100	970	115	2
1300	1100	100	1070	115	2
1400	1200	100	1170	115	2
1600	1400	100	1370	115	2
1800	800	100	785	115	3
2000	900	100	885	115	3

H mm	D mm
200	55
300	115
400	255
500	355
600	455
700	555
900	755

Ref. Heat Outputs to EN442 = ΔT 60 - Per Metre Length

Length		Single Planal PSS		Single Plus Planal PHS		Double Planal PDS	
inch	mm	Watts	Btu	Watts	Btu	Watts	Btu
12	300	651	2048	-	-	1266	3984
15.7	400	839	2640	1257	3953	1620	5098
19.7	500	1008	3171	1512	4757	1947	6125
23.6	600	1167	3673	1753	5515	2248	7073
27.6	700	1315	4138	-	-	2527	7949
35.4	900	1577	4962	-	-	3016	9489



# PLANAL VERTICAL



## PLANAL VERTICAL

RAL 9016  
 WORKING PRESSURE  
 WORKING TEMP.  
 CLOSED SYSTEM  
 MOUNT POS.  
 WARRANTY

Product Name	Height mm	Length mm	Depth mm	Pipe Centres mm	Wall to Pipe Centre mm	Wall to Face mm	Water Content lt	Gross Weight kg	Fuel Options E/H/D	Heat Output ΔT 50	BTU	Watts
--------------	-----------	-----------	----------	-----------------	------------------------	-----------------	------------------	-----------------	--------------------	-------------------	-----	-------

### Type VPS

12VPS200	1200	200	52	150-50	33-55	70-92	1.2	9.3	H	778	228
14VPS200	1400	200	52	150-50	33-55	70-92	1.4	10.7	H	898	263
16VPS200	1600	200	52	150-50	33-55	70-92	1.6	12.1	H	1020	299
18VPS200	1800	200	52	150-50	33-55	70-92	1.8	13.5	H	1150	337
20VPS200	2000	200	52	150-50	33-55	70-92	2	15.0	H	1277	374

12VPS300	1200	300	52	250-50	33-55	70-92	1.7	14.3	H	1359	398
14VPS300	1400	300	52	250-50	33-55	70-92	2	15.6	H	1567	459
16VPS300	1600	300	52	250-50	33-55	70-92	2.3	17.7	H	1696	497
18VPS300	1800	300	52	250-50	33-55	70-92	2.5	19.8	H	1822	533
20VPS300	2000	300	52	250-50	33-55	70-92	2.8	21.9	H	1965	575

12VPS400	1200	400	52	350-50	33-55	70-92	2.3	17.7	H	1662	487
14VPS400	1400	400	52	350-50	33-55	70-92	2.7	20.5	H	1929	565
16VPS400	1600	400	52	350-50	33-55	70-92	3.1	23.3	H	2103	616
18VPS400	1800	400	52	350-50	33-55	70-92	3.5	26.1	H	2287	670
20VPS400	2000	400	52	350-50	33-55	70-92	3.9	28.9	H	2455	719

12VPS500	1200	500	52	450-50	33-55	70-92	2.9	21.5	H	1972	578
14VPS500	1400	500	52	450-50	33-55	70-92	3.4	25.0	H	2288	670
16VPS500	1600	500	52	450-50	33-55	70-92	3.9	28.4	H	2521	738
18VPS500	1800	500	52	450-50	33-55	70-92	4.4	31.4	H	2754	806
20VPS500	2000	500	52	450-50	33-55	70-92	4.9	34.9	H	2951	864

12VPS600	1200	600	52	550-50	33-55	70-92	3.6	26.2	H	2284	669
14VPS600	1400	600	52	550-50	33-55	70-92	4.2	30.4	H	2646	775
16VPS600	1600	600	52	550-50	33-55	70-92	4.8	34.5	H	2937	860
18VPS600	1800	600	52	550-50	33-55	70-92	5.4	38.7	H	3220	943
20VPS600	2000	600	52	550-50	33-55	70-92	6	42.8	H	3446	1009

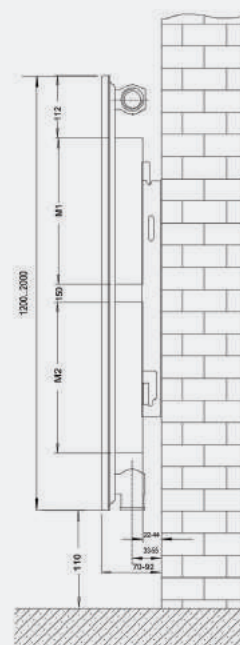
12VPS700	1200	700	52	650-50	33-55	70-92	4.2	30.5	H	2592	759
14VPS700	1400	700	52	650-50	33-55	70-92	4.9	35.3	H	3005	880
16VPS700	1600	700	52	650-50	33-55	70-92	5.6	40.2	H	3347	980
18VPS700	1800	700	52	650-50	33-55	70-92	6.3	45.0	H	3681	1078
20VPS700	2000	700	52	650-50	33-55	70-92	7	49.9	H	3941	1154

12VPS900	1200	900	52	850-50	33-55	70-92	5.4	39.0	H	3333	976
14VPS900	1400	900	52	850-50	33-55	70-92	6.3	45.2	H	3862	1131
16VPS900	1600	900	52	850-50	33-55	70-92	7.2	51.4	H	4303	1260
18VPS900	1800	900	52	850-50	33-55	70-92	8.1	57.7	H	4733	1386
20VPS900	2000	900	52	850-50	33-55	70-92	9	63.9	H	5068	1484

## Modern and impressive

The ultimate modern statement for your room, Planal Vertical radiators provide a discrete, sophisticated new look and exciting, flexible way to make an impression while efficiently heating your room.

**16** MODEL SHOWN OPPOSITE: 16VPH500



VPS



# PLANAL VERTICAL

## PLANAL VERTICAL

RAL 9016

10

95°C

C

V

5 YEARS

WHITE

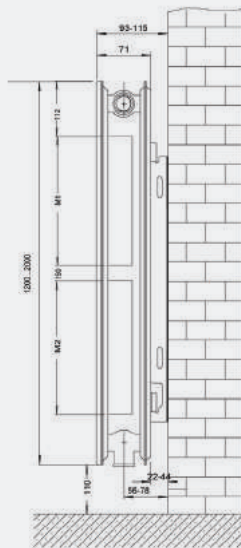
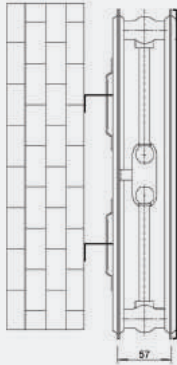
WORKING PRESSURE

WORKING TEMP.

CLOSED SYSTEM

MOUNT POS.

WARRANTY



VPH

Product Name	Height mm	Length mm	Depth mm	Pipe Centres mm	Wall to Pipe Centre mm	Wall to Face mm	Water Content lt	Gross Weight kg	Fuel Options E/H/D	Heat Output $\Delta T$ 50 BTU	Watts
--------------	-----------	-----------	----------	-----------------	------------------------	-----------------	------------------	-----------------	--------------------	-------------------------------	-------

### Type VPH

12VPH200	1200	200	67	150 - 50	56-78	93-115	2.9	13.9	H	1748	512
14VPH200	1400	200	67	150 - 50	56-78	93-115	3.4	16.0	H	2022	592
16VPH200	1600	200	67	150 - 50	56-78	93-115	3.8	18.2	H	2315	678
18VPH200	1800	200	67	150 - 50	56-78	93-115	4.3	20.3	H	2599	761
20VPH200	2000	200	67	150 - 50	56-78	93-115	4.8	22.6	H	2889	846

12VPH300	1200	300	69	250 - 50	56-78	93-115	3.9	20.1	H	2250	659
14VPH300	1400	300	69	250 - 50	56-78	93-115	4.6	23.3	H	2609	764
16VPH300	1600	300	69	250 - 50	56-78	93-115	5.3	26.5	H	2889	846
18VPH300	1800	300	69	250 - 50	56-78	93-115	5.9	29.7	H	3149	922
20VPH300	2000	300	69	250 - 50	56-78	93-115	6.6	32.8	H	3401	996

12VPH400	1200	400	69	350 - 50	56-78	93-115	5	26.4	H	2899	849
14VPH400	1400	400	69	350 - 50	56-78	93-115	5.9	30.6	H	3360	984
16VPH400	1600	400	69	350 - 50	56-78	93-115	6.7	34.8	H	3716	1088
18VPH400	1800	400	69	350 - 50	56-78	93-115	7.6	39.1	H	4054	1187
20VPH400	2000	400	69	350 - 50	56-78	93-115	8.4	43.3	H	4381	1283

12VPH500	1200	500	69	450 - 50	56-78	93-115	6.1	32.2	H	3528	1033
14VPH500	1400	500	69	450 - 50	56-78	93-115	7.1	37.4	H	4091	1198
16VPH500	1600	500	69	450 - 50	56-78	93-115	8.2	42.7	H	4518	1323
18VPH500	1800	500	69	450 - 50	56-78	93-115	9.2	47.5	H	4935	1445
20VPH500	2000	500	69	450 - 50	56-78	93-115	10.2	52.8	H	5331	1561

12VPH600	1200	600	69	550 - 50	56-78	93-115	6.9	39.0	H	4142	1213
14VPH600	1400	600	69	550 - 50	56-78	93-115	8.1	45.3	H	4801	1406
16VPH600	1600	600	69	550 - 50	56-78	93-115	9.3	51.6	H	5307	1554
18VPH600	1800	600	69	550 - 50	56-78	93-115	10.4	57.9	H	5795	1697
20VPH600	2000	600	69	550 - 50	56-78	93-115	11.6	64.2	H	6261	1833

12VPH700	1200	700	69	650 - 50	56-78	93-115	8	46.5	H	4518	1323
14VPH700	1400	700	69	650 - 50	56-78	93-115	9.3	52.7	H	5498	1610
16VPH700	1600	700	69	650 - 50	56-78	93-115	10.7	60.1	H	6075	1779
18VPH700	1800	700	69	650 - 50	56-78	93-115	12	67.4	H	6632	1942
20VPH700	2000	700	69	650 - 50	56-78	93-115	13.3	74.8	H	7168	2099

12VPH900	1200	900	69	850 - 50	56-78	93-115	10.3	57.9	H	5809	1701
14VPH900	1400	900	69	850 - 50	56-78	93-115	12	67.4	H	7069	2070
16VPH900	1600	900	69	850 - 50	56-78	93-115	13.8	76.8	H	7810	2287
18VPH900	1800	900	69	850 - 50	56-78	93-115	15.4	86.2	H	8527	2497
20VPH900	2000	900	69	850 - 50	56-78	93-115	17.1	95.6	H	9217	2699

## PLANAL VERTICAL

RAL 9016

10

95°C

C

V

5 YEARS

WHITE WORKING PRESSURE WORKING TEMP. CLOSED SYSTEM MOUNT POS. WARRANTY

Product Name	Height mm	Length mm	Depth mm	Pipe Centres mm	Wall to Pipe Centre mm	Wall to Face mm	Water Content lt	Gross Weight kg	Fuel Options E/H/D	Heat Output ΔT 50	BTU	Watts
--------------	-----------	-----------	----------	-----------------	------------------------	-----------------	------------------	-----------------	--------------------	-------------------	-----	-------

### Type VPD

16VPD300	1600	300	102	250-50	72-94	126-148	5.4	29.5	H	3811	1116	
18VPD300	1800	300	102	250-50	72-94	126-148	6	33.1	H	3985	1167	
20VPD300	2000	300	102	250-50	72-94	126-148	6.7	36.6	H	4299	1259	

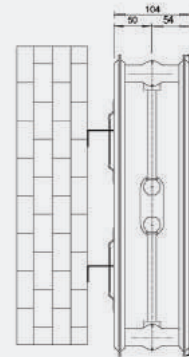
14VPD400	1400	400	102	350-50	72-94	126-148	6	34.3	H	4552	1333	
16VPD400	1600	400	102	350-50	72-94	126-148	6.8	39.1	H	4856	1422	
18VPD400	1800	400	102	350-50	72-94	126-148	7.8	43.8	H	5160	1511	
20VPD400	2000	400	102	350-50	72-94	126-148	8.6	48.5	H	5560	1628	

12VPD500	1200	500	102	450-50	72-94	126-148	6.2	36.3	H	4713	1380	
14VPD500	1400	500	102	450-50	72-94	126-148	7.2	42.2	H	5467	1601	
16VPD500	1600	500	102	450-50	72-94	126-148	8.4	48.1	H	5901	1728	
18VPD500	1800	500	102	450-50	72-94	126-148	9.4	53.5	H	6335	1855	
20VPD500	2000	500	102	450-50	72-94	126-148	10.4	59.4	H	6827	1999	

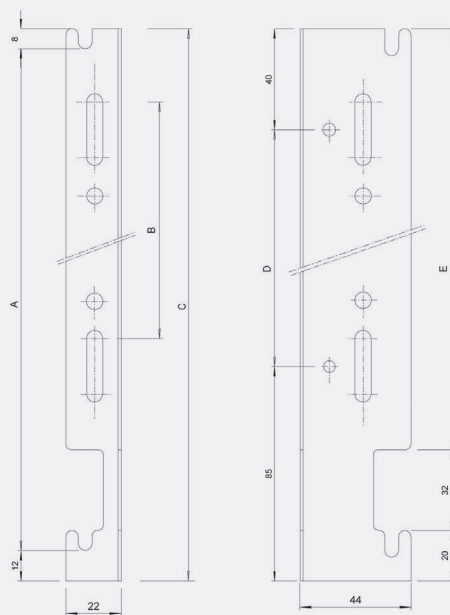
12VPD600	1200	600	102	550-50	72-94	126-148	7	44.0	H	5505	1612	
14VPD600	1400	600	102	550-50	72-94	126-148	8.3	51.0	H	6383	1869	
16VPD600	1600	600	102	550-50	72-94	126-148	9.5	58.1	H	6946	2034	
18VPD600	1800	600	102	550-50	72-94	126-148	10.6	65.2	H	7503	2197	
20VPD600	2000	600	102	550-50	72-94	126-148	11.8	72.3	H	8094	2370	

12VPD700	1200	700	102	650-50	72-94	126-148	8.2	51.2	H	6424	1881	
14VPD700	1400	700	102	650-50	72-94	126-148	9.6	59.5	H	7448	2181	
16VPD700	1600	700	102	650-50	72-94	126-148	11.1	67.7	H	8104	2373	
18VPD700	1800	700	102	650-50	72-94	126-148	12.4	76.0	H	8756	2564	
20VPD700	2000	700	102	650-50	72-94	126-148	13.8	84.3	H	9442	2765	

12VPD900	1200	900	102	850-50	72-94	126-148	10.6	65.5	H	8257	2418	
14VPD900	1400	900	102	850-50	72-94	126-148	12.4	76.2	H	9576	2804	
16VPD900	1600	900	102	850-50	72-94	126-148	14.2	86.8	H	10419	3051	
18VPD900	1800	900	102	850-50	72-94	126-148	15.9	97.4	H	11256	3296	
20VPD900	2000	900	102	850-50	72-94	126-148	17.7	108.1	H	12137	3554	



VPD



### WALL BRACKETS

Type	900	1200
A	755	1067
B	650	962
C	775	1087
D	650	962
E	723	1035



### *One piece radiator casing*

LSORAD radiators and covers provide full flexibility to suit special project requirements. The 15swg steel covers are available in RAL 9016 white, with rounded profiles for extra safety and care.

The Radiator, Casing and Oventrop TRV all need to be ordered separately using the relative codes.

The TRV valve cut out is fitted to the RH side of the casing, but can be ordered on the LH side if required.

The Oventrop TRV can be fitted on either the RH or LH side of the radiator, but must be fitted on the flow. The capillary wire is 2m long.

The wide part of the bracket (32mm) should be fixed to the wall to allow sufficient clearance from the front of the emitter.

Delivery is 3 / 4 weeks from date of order.





LSORAD ONE PIECE UNIT

RAL 9016 WHITE    
 WORKING PRESSURE 10    
 WORKING TEMP. 95°C    
 CLOSED SYSTEM    
 MOUNT POS. H    
 WARRANTY 5 YEARS

Product Name	Casing Height mm	Casing Length mm	Casing Depth mm	Casing Gross Weight kg
--------------	------------------	------------------	-----------------	------------------------

Radiator Name	Radiator Height mm	Radiator Length mm	Radiator Type	Casing + Rad Gross Weight kg	Heat Output ΔT 50	
					BTU	Watts

Type D: One piece unit (high casing)

LSO5D07	700	700	160	14.2
LSO5D10	700	1000	160	18.8
LSO5D12	700	1200	160	21.9
LSO5D14	700	1400	160	25.0
LSO5D16	700	1600	160	28.1
LSO5D18	700	1800	160	28.2
LSO5D20	700	2000	160	32.7
LSO5D22	700	2200	160	37.4

LSO6D07	800	700	160	15.7
LSO6D10	800	1000	160	20.9
LSO6D12	800	1200	160	24.4
LSO6D14	800	1400	160	27.8
LSO6D16	800	1600	160	31.3
LSO6D18	800	1800	160	30.9
LSO6D20	800	2000	160	36.1
LSO6D22	800	2200	160	41.6

LSO7D07	900	700	160	16.8
LSO7D10	900	1000	160	22.3
LSO7D12	900	1200	160	26.0
LSO7D14	900	1400	160	29.6
LSO7D16	900	1600	160	33.3
LSO7D18	900	1800	160	32.8
LSO7D20	900	2000	160	38.5
LSO7D22	900	2200	160	44.4

Type H: One piece unit (high casing)

LSO5H07	700	700	125	12.7
LSO5H10	700	1000	125	17.0
LSO5H12	700	1200	125	19.9
LSO5H14	700	1400	125	22.7
LSO5H16	700	1600	125	25.7
LSO5H18	700	1800	125	28.8
LSO5H20	700	2000	125	31.5
LSO5H22	700	2200	125	34.3

LSO6H07	800	700	125	13.6
LSO6H10	800	1000	125	18.2
LSO6H12	800	1200	125	21.3
LSO6H14	800	1400	125	24.2
LSO6H16	800	1600	125	27.5
LSO6H18	800	1800	125	30.8
LSO6H20	800	2000	125	33.5
LSO6H22	800	2200	125	36.7

LSO7H07	900	700	125	14.5
LSO7H10	900	1000	125	19.4
LSO7H12	900	1200	125	22.7
LSO7H14	900	1400	125	25.9
LSO7H16	900	1600	125	29.3
LSO7H18	900	1800	125	32.8
LSO7H20	900	2000	125	35.9

Ultraheat Panel Radiator

5DF500	400	500	DF	25.1	2545	745
5DF800	400	800	DF	36.2	4069	1191
5DF1000	400	1000	DF	43.6	5087	1489
5DF1200	400	1200	DF	51.1	6105	1788
5DF1400	400	1400	DF	62.9	7122	2086
5DF1600	400	1600	DF	63.0	8137	2383
5DF1800	400	1800	DF	71.9	9155	2681
5DF2000	400	2000	DF	85.2	10173	2979

6DF500	500	500	DF	29.0	2938	860
6DF800	500	800	DF	42.2	4697	1375
6DF1000	500	1000	DF	51.0	5872	1719
6DF1200	500	1200	DF	59.8	7047	2064
6DF1400	500	1400	DF	73.9	8222	2408
6DF1600	500	1600	DF	73.5	9394	2751
6DF1800	500	1800	DF	84.1	10569	3095
6DF2000	500	2000	DF	100.2	11744	3439

7DF500	600	500	DF	33.2	3299	966
7DF800	600	800	DF	48.5	5278	1546
7DF1000	600	1000	DF	58.8	6598	1932
7DF1200	600	1200	DF	69.0	7917	2318
7DF1400	600	1400	DF	85.7	9237	2705
7DF1600	600	1600	DF	85.3	10556	3091
7DF1800	600	1800	DF	97.5	11876	3478
7DF2000	600	2000	DF	116.4	13196	3864

Ultraheat Panel Radiator

5HF500	400	500	HF	18.3	1976	579
5HF800	400	800	HF	27.2	3161	926
5HF1000	400	1000	HF	33.0	3949	1156
5HF1200	400	1200	HF	38.8	4738	1387
5HF1400	400	1400	HF	44.7	5530	1619
5HF1600	400	1600	HF	50.8	6318	1850
5HF1800	400	1800	HF	56.5	7110	2082
5HF2000	400	2000	HF	62.3	7898	2313

6HF500	500	500	HF	21.6	2290	671
6HF800	500	800	HF	31.9	3663	1073
6HF1000	500	1000	HF	38.8	4578	1340
6HF1200	500	1200	HF	45.0	5492	1608
6HF1400	500	1400	HF	52.7	6409	1877
6HF1600	500	1600	HF	59.8	7324	2145
6HF1800	500	1800	HF	65.6	8241	2413
6HF2000	500	2000	HF	73.5	9155	2681

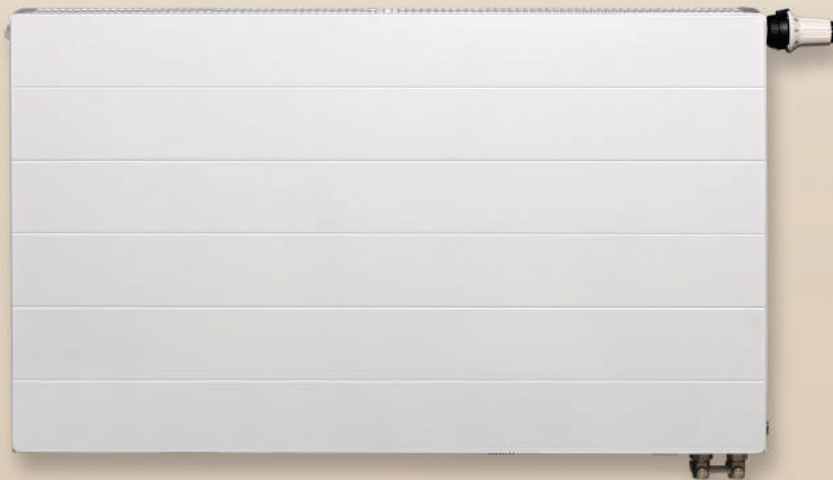
7HF500	600	500	HF	25.2	2589	758
7HF800	600	800	HF	37.5	4141	1213
7HF1000	600	1000	HF	45.7	5175	1515
7HF1200	600	1200	HF	53.9	6208	1818
7HF1400	600	1400	HF	62.2	7245	2122
7HF1600	600	1600	HF	70.6	8279	2424
7HF1800	600	1800	HF	78.7	9315	2728

Valves

CTRVV	Close coupled TRV with W/H & L/S valves and 2m capillary tube
-------	---

TRV must be fitted on the flow. Casing pre-drilled right hand side to accept RTAVV as supplied by Ultraheat, Left hand side available upon request.

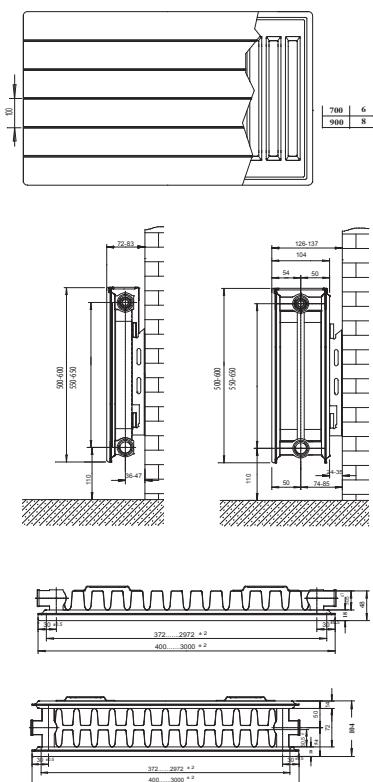
# LANNER HORIZONTAL



## Contemporary panels

Lanner radiators are contemporary panels that have subtle lines across the radiator.

MODEL SHOWN: 6LDS1200



## LANNER HORIZONTAL

RAL 9016

WHITE

10

WORKING PRESSURE

95°C

WORKING TEMP.

C

CLOSED SYSTEM

H

MOUNT POS.

5 YEARS

WARRANTY

Product Name	Height mm	Length mm	Depth mm	Pipe Centres mm	Wall to Pipe Centre mm	Wall to Face mm	Water Content lt	Gross Weight kg	Fuel Options E/H/D	Heat Output ΔT 50 BTU	Watts
--------------	-----------	-----------	----------	-----------------	------------------------	-----------------	------------------	-----------------	--------------------	-----------------------	-------

### Type LSS

5LSS1000	500	1000	52	1090 / 50	33 / 44	70 / 81	2.5	19.4	H	2748	804
6LSS600	600	600	52	690 / 50	33 / 44	70 / 81	1.8	14.7	H	1909	559
6LSS800	600	800	52	890 / 50	33 / 44	70 / 81	2.4	18.9	H	2545	745
6LSS1000	600	1000	52	1090 / 50	33 / 44	70 / 81	3.0	23.1	H	3181	931
6LSS1200	600	1200	52	1290 / 50	33 / 44	70 / 81	3.6	27.3	H	3817	1117
6LSS1400	600	1400	52	1490 / 50	33 / 44	70 / 81	4.2	31.5	H	4453	1303

### Type LDS

5LDS600	500	600	102	690 / 50	72 / 83	126 / 137	3.1	20.3	H	3185	932
5LDS800	500	800	102	890 / 50	72 / 83	126 / 137	4.2	26.2	H	4247	1243
5LDS1000	500	1000	102	1090 / 50	72 / 83	126 / 137	5.2	32.2	H	5309	1554
5LDS1200	500	1200	102	1290 / 50	72 / 83	126 / 137	6.2	38.1	H	6371	1865
5LDS1400	500	1400	102	1490 / 50	72 / 83	126 / 137	7.3	44.1	H	7433	2176
6LDS600	600	600	102	690 / 50	72 / 83	126 / 137	3.6	24.1	H	3677	1076
6LDS800	600	800	102	890 / 50	72 / 83	126 / 137	4.7	31.3	H	4903	1435
6LDS1000	600	1000	102	1090 / 50	72 / 83	126 / 137	5.9	38.4	H	6129	1794
6LDS1200	600	1200	102	1290 / 50	72 / 83	126 / 137	7.1	45.5	H	7355	2153
6LDS1400	600	1400	102	1490 / 50	72 / 83	126 / 137	8.3	52.6	H	8581	2512
6LDS1600	600	1600	102	1590 / 50	72 / 83	126 / 137	9.5	59.7	H	9806	2870

### Type LHS

5LHS600	500	600	69	690 / 50	56 / 67	93 / 104	3.1	18.0	H	2472	724
5LHS800	500	800	69	890 / 50	56 / 67	93 / 104	4.1	23.3	H	3299	966
5LHS1000	500	1000	69	1090 / 50	56 / 67	93 / 104	5.1	28.6	H	4122	1207
5LHS1200	500	1200	69	1290 / 50	56 / 67	93 / 104	6.1	34.0	H	4945	1448
5LHS1400	500	1400	69	1490 / 50	56 / 67	93 / 104	7.1	39.3	H	5771	1690
6LHS600	600	600	69	690 / 50	56 / 67	93 / 104	3.5	21.4	H	2865	839
6LHS800	600	800	69	890 / 50	56 / 67	93 / 104	4.6	27.7	H	3821	1119
6LHS1000	600	1000	69	1090 / 50	56 / 67	93 / 104	5.8	34.1	H	4778	1399
6LHS1200	600	1200	69	1290 / 50	56 / 67	93 / 104	7.0	40.4	H	5734	1679
6LHS1400	600	1400	69	1490 / 50	56 / 67	93 / 104	8.1	46.8	H	6690	1959
6LHS1600	600	1600	69	1590 / 50	56 / 67	93 / 104	9.3	53.1	H	7643	2238

**ULTRAHEAT**

Tel: 01908 271155 Web: [www.ultraheat.co.uk](http://www.ultraheat.co.uk)

Technical specifications are subject to change without prior notice.

# LANNER VERTICAL



## LANNER VERTICAL

RAL 9016 WHITE   
 10 WORKING PRESSURE   
 95°C WORKING TEMP.   
 C CLOSED SYSTEM   
 V MOUNT POS.   
 5 YEARS WARRANTY

Product Name	Height mm	Length mm	Depth mm	Pipe Centres mm	Wall to Pipe Centre mm	Wall to Face mm	Water Content lt	Gross Weight kg	Fuel Options E/H/D	Heat Output ΔT 50 BTU	Watts
--------------	-----------	-----------	----------	-----------------	------------------------	-----------------	------------------	-----------------	--------------------	-----------------------	-------

### Type VLD

16VLD300	1600	300	102	250 / 50	72 / 94	126 / 148	5.4	29.5	H	3811	1116
16VLD500	1600	500	102	450 / 50	72 / 94	126 / 148	8.4	48.1	H	5901	1728
18VLD400	1800	400	102	350 / 50	72 / 94	126 / 148	7.8	43.8	H	5160	1511
18VLD500	1800	500	102	450 / 50	72 / 94	126 / 148	9.4	53.5	H	6335	1855
18VLD600	1800	600	102	550 / 50	72 / 94	126 / 148	10.6	65.2	H	7503	2197

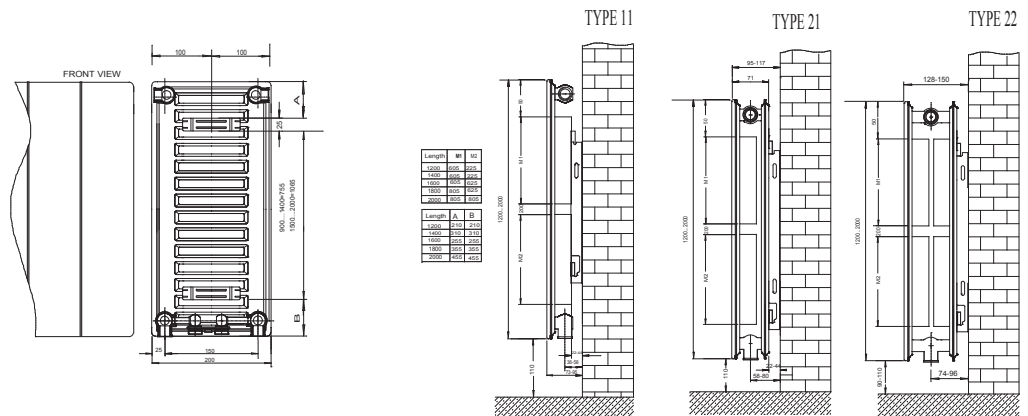
### Type VLH

16VLH300	1600	300	69	250 / 50	56 / 78	95 / 117	5.3	26.5	H	2889	846
16VLH500	1600	500	69	450 / 50	56 / 78	95 / 117	8.2	42.7	H	4518	1323
18VLH400	1800	400	69	350 / 50	56 / 78	95 / 117	7.6	39.1	H	4054	1187
18VLH500	1800	500	69	450 / 50	56 / 78	95 / 117	9.2	47.5	H	4935	1445
18VLH600	1800	600	69	550 / 50	56 / 78	95 / 117	10.4	57.9	H	5795	1697

## Versatile radiators

Lanner radiators are also available as vertical panels with vertical lines. An outstanding versatile radiator.

MODEL SHOWN: 18VLD600



Technical specifications are subject to change without prior notice.







SPF



UDC 850



UDC 851



UDC 860



UDC 927



UDS 850



UDS 851



UDS 860



UDS 927



COR850C



TWIN850C



TWIN851C



ONE851C



CYL840C



CUB840C



CUB841C



A409C



A574C



A331C



A590C

## FITTINGS

Product Name	Description	Brushed Matt S	Polished P	Nickel N
18MF34S	3/4" BSP male to female stainless steel straight 10mm (Short)	✓	✓	
18MF34L	3/4" BSP male to female stainless steel straight 30mm (Long)	✓	✓	
18MF12S	1/2" BSP male to female stainless steel straight 10mm (Short)	✓	✓	
18MF12L	1/2" BSP male to female stainless steel straight 30mm (Long)	✓	✓	
18FF1234	Twin entry extension for Sovran radiator	✓	✓	
9SL	100 + 100 mm long 15mm in diameter elbow stainless steel tube	✓	✓	
18SL	200mm long 155mm in diameter straight stainless steel tube	✓	✓	
SPF	1/2" BSP Straight Male Push Fit to 15mm tube (Nickel plated)			✓

## VALVES

Product Name	Description	White W	Brushed Matt S	Chrome C	Nickel N	Brass B	Gold G
UD850	Décor angle valve pair complete with 15mm tube connectors	✓	✓	✓			
UD851	Décor straight valve pair complete with 15mm tube connectors	✓	✓	✓			
UD860	Décor swivel valve pair complete with 15mm tube connectors	✓	✓	✓			
UD927	Interaxial swivel 50 valve pair complete with 15mm tube connectors and Domignon sensor	✓	✓	✓			
UD109L	Domignon liquid plastic sensor	✓	✓	✓			
UC650T	C/P 15mm Angled TRV & L/S Twin Pack			✓			
UC650	C/P 15/10mm Angled TRV Only			✓			
CUB841	CUBE - Manual Straight Valve pair complete with 15mm tube connectors		✓	✓			
CUB840	CUBE - Manual Angle Valve pair complete with 15mm tube connectors		✓	✓			
MIN840	MINIMALIST - Manual Angle Valve pair complete with 15mm tube connectors		✓	✓			
ONE851	ONE - Thermostatic Straight Valve complete with 15mm tube connectors		✓	✓			
TW1850	TWIN - Thermostatic Angle Valve complete with 15mm tube connectors		✓	✓			
TW1851	TWIN - Thermostatic Straight Valve complete with 15mm tube connectors		✓	✓			
COR850	CORNER - Thermostatic Angle Valve Pair complete with 15mm tube connectors		✓	✓			
CYL840	CYLINDER - Manual Angle Valve Pair complete with 15mm tube connectors		✓	✓			
A409	Aeon Liquid Metal Sensor		✓	✓			
A574	Manual Knob for Thermostatic Radiator Valves (TRV)		✓	✓			
A555	PEX/AL/PEX Pipe Adaptor 16-2 mm		✓	✓			
A556	PEX Pipe Adaptor 16-2 mm		✓	✓			
A331	Copper Pipe Adaptor 12mm		✓	✓			
A332	Copper Pipe Adaptor 15mm		✓	✓			
A584	Copper Pipe Adaptor 15mm		✓	✓			
A590	Copper Pipe Adaptor 1/2" 15mm		✓	✓			
A335	Copper Pipe Adaptor 15mm 3/4" EK		✓	✓			
P3015S14	3/4" x 18 x 10 x 14 Complete Adapting Set for Multilayer Pipe		✓	✓			
P3015S16	3/4" x 18 x 10 x 16 Complete Adapting Set for Multilayer Pipe		✓	✓			
P925	Straight "H" Valve with by-pass - nickel plated				✓		
P926	Angle "H" Valve with by-pass - nickel plated				✓		
P915	Drain device				✓		
P916	Danfoss thermostatic insert with pre-setting				✓		
P99SP	Danfoss sensor					✓	
D13G	Herz sensor - porsche		✓				
DRASC	Herz sensor - standard	✓					
H9260	3/4" BSP x 15mm Copper Tube Connector	✓					
H7760	3/4" BSP x 18 x 13 x 16mm Plastic Tube Connector	✓					
P3625	Danfoss Undermount thermostatic valve - straight		✓	✓	✓		
P3015S	Danfoss Undermount thermostatic valve - angle		✓				
VHS-str	Cross Head Manual Radiator Valve Set with sleeves	✓					
VHS-ang	15mm Angled TRV Set	✓					
CHRV	15mm Angled TRV Set and Lockshield			✓			✓
UAW850	15mm Angled TRV Set			✓			
UAW850TL	15mm Angled TRV Set and Lockshield			✓			



HE/POS RANGE



AES



MOBUS CHROME



MOBUS WHITE



STCN-1C



STCN-1W



3BV

## HEATING ELEMENTS

Product Name	Description	White W	Chrome C	Nickel N	Brushed Matt S
HE90	90w Heating element with 70°C thermostat, 127°C thermal fuse, cable length: 150cm, 205mm rod length			✓	
HE150	150w Heating element with 70°C thermostat, 127°C thermal fuse, cable length: 150cm, 300mm rod length			✓	
HE300	300w Heating element with 70°C thermostat, 127°C thermal fuse, cable length: 150cm, 450mm rod length			✓	
HE400	400w Heating element with 70°C thermostat, 127°C thermal fuse, cable length: 150cm, 550mm rod length			✓	
HE600	600w Heating element with 70°C thermostat, 127°C thermal fuse, cable length: 150cm, 760mm rod length			✓	
HE900	900w Heating element with 70°C thermostat, 127°C thermal fuse, cable length: 150cm, 1050mm rod length			✓	
HES340	340w Heating element, PTC self regulation, cable length: 150cm, 240mm rod length			✓	
HES400	400w Heating element, PTC self regulation, cable length: 150cm, 240mm rod length			✓	
POS400	400w Poseidon Heating element with 70°C thermostat, 127°C thermal fuse, cable length: 150cm, 550mm rod length	✓	✓		✓*
POS600	600w Poseidon Heating element with 70°C thermostat, 127°C thermal fuse, cable length: 150cm, 760mm rod length	✓	✓		✓*
AQ300	300w Aquarius Heating element with 70°C thermostat, 127°C thermal fuse, cable length: 150cm, 450mm rod length	✓	✓		✓*
AQ600	600w Aquarius Heating element with 70°C thermostat, 127°C thermal fuse, cable length: 150cm, 760mm rod length	✓	✓		✓*
AES400	400w Aeon Dimhead Heating element - Straight type		✓		✓
AES600	600w Aeon Dimhead Heating element - Straight type		✓		✓
MB150	150w Mobus PTC Heating element, cable length: 90cm, Class I insulation	✓	✓		
MB300	300w Mobus PTC Heating element, cable length: 90cm, Class I insulation	✓	✓		
MB600	600w Mobus PTC Heating element, cable length: 90cm, Class I insulation	✓	✓		
STCN-1	Stoke Control Box, Bluetooth Low Energy, Class I insulation (for UK +)	✓	✓		
STCN-2	Stoke Control Box, Bluetooth Low Energy, Class II insulation (for France)	✓	✓		
ST150-1	150w Stoke heating element rod for Stoke Control Unit, Class I Insulation (for UK+)			✓	
ST400-1	400w Stoke heating element rod for Stoke Control Unit, Class I Insulation (for UK+)			✓	
ST600-1	600w Stoke heating element rod for Stoke Control Unit, Class I Insulation (for UK+)			✓	
ST900-1	900w Stoke heating element rod for Stoke Control Unit, Class I Insulation (for UK+)			✓	
ST150-2	150w Stoke heating element rod for Stoke Control Unit, Class II Insulation (for France)			✓	
ST400-2	400w Stoke heating element rod for Stoke Control Unit, Class II Insulation (for France)			✓	
ST600-2	600w Stoke heating element rod for Stoke Control Unit, Class II Insulation (for France)			✓	
ST900-2	900w Stoke heating element rod for Stoke Control Unit, Class II Insulation (for France)			✓	
3BV	1/2" BSP 3-Bar Valve for Electric only Towel rails - Nickel Plated only			✓	
WPC600	600w Wall Plate Controller for standard heating cartridge	✓	✓		
P1300	16mm Pattresse Box (supplied min 10pcs in a carton)	✓			
P1400	25mm Pattresse Box (supplied min 10pcs in a carton)	✓			

\* Colour RAL GREY to match brushed matt finish



## HEAT TRANSFER LIQUID

Product Name	Description
7HTL	Heat transfer liquid for up to 750mm high rails
9HTL	Heat transfer liquid for up to 900mm high rails
11HTL	Heat transfer liquid for 1200mm high rails
17HTL	Heat transfer liquid for 1800mm high rails
20HTL	Heat transfer liquid for up to 2000mm high rails

## DUAL FUEL COMPONENTS

Product Name	Description	White W	Brushed Matt S	Chrome C
TP	1/2" BSP T piece for dual fuel operation	✓	✓	✓
4w-TRV+	4 way radiator valve with thermostatic control (nickel plated)		✓	



6TBC + 5TBC



6TABC + 5TABC



6TABW + 5TABW



BHC



BHW



TPHC



VHC



VHW



TRC



TDC

## CLIP-ON ACCESSORIES

Product Name	Description	White W	Chrome C
BH	Button Robe Hanger (pair)	✓	✓
4TB	400mm Clip-on Towel bar for Straight Shape Multirail Towel Warmer	✓	✓
6TB	600mm Clip-on Towel bar for Straight Shape Multirail Towel Warmer	✓	✓
6TAB	600mm Clip-on Towel bar for Arched Multirail Towel Warmer	✓	✓
VH	V Hook (pair)	✓	✓
5TAB	Towel Bar for 500mm Arched Multirail Towel Warmer	✓	✓
5TB	Towel Bar for 500mm Straight Multirail Towel Warmer	✓	✓
TPH	Toilet Paper Holder	✓	✓
TR	Towel Ring	✓	✓
TD	Towel Dryer	✓	✓

## VALVES & ACCESSORIES



SJA



SJP



SJA157 + C1574



SJP154 + C1574



SJAC-h



SJPC-h



ASJA



SPF

### ACCESSORIES

Product Name	Description	White W	Chrome C	Nickel N
CLRAL	Other RAL colours (for Chelmsford Range only, price on application for the other models)	✓		
SJA	1/2" Standard Airvent with "O" ring - Nickel Plated			✓
SJP	1/2" Standard Plug with "O" ring - Nickel Plated			✓
SJA-w	1/2" Standard Nickel Airvent with "O" ring and white plastic water diverter			✓
SJA157	1/2" type 157 Nickel Airvent Flat D26 Hex 8 1/2" EPDM			✓
SJP154	1/2" type 157 Nickel Plug Flat D26 Hex 8 1/2" EPDM			✓
C1574	Plastic cup for type 157 airvent and 154 plug	✓	✓	✓
SJAC-h	1/2" Designer Chrome Airvent with "O" ring, Semi-Auto		✓	
SJPC-h	1/2" Designer Chrome Plug with "O" ring		✓	
ASJA	1/2" Full Automatic Airvent with changeable cartridge			✓
SPF	1/2" BSP Straight Male to 15mm pipe Push fit - Nickel Plated			✓



DFB



UFB

### BRACKETS

Product Name	Description	White W	Chrome C	Nickel N
2CWB	Concealed Wall Bracket for 300mm High Horizontal Planal Radiator - Galvanised			✓
3CWB	Concealed Wall Bracket for 300mm High Horizontal Planal Radiator - Galvanised			✓
4CWB	Concealed Wall Bracket for 400mm High Horizontal Planal Radiator - Galvanised			✓
5CWB	Concealed Wall Bracket for 500mm High Horizontal Planal Radiator - Galvanised			✓
6CWB	Concealed Wall Bracket for 600mm High Horizontal Planal Radiator - Galvanised			✓
7CWB	Concealed Wall Bracket for 700mm High Horizontal Planal Radiator - Galvanised			✓
9CWB	Concealed Wall Bracket for 1200mm+ High Vertical Planal Radiator - Galvanised			✓
12CWB	Concealed Wall Bracket for 1600mm+ High Vertical Planal Radiator - Galvanised			✓
SFB	Floor bracket for Ultraheat type Single SF-11 and type HF-21 white	✓		
DFB	Floor bracket for Ultraheat type Double DF-22 and type TF-33 white	✓		
UFB	Universal Floor Bracket for all types of Ultraheat Horizontal Panel Radiators	✓		
MB4-st	Metal Wall Brackets for Straight Chelmsford Towel Rail (set of 4)	✓	✓	
MAB4-st	Metal Wall Brackets for Arched Chelmsford Towel Rail (set of 4)	✓	✓	

## QUALITY & PERFORMANCE

### Quality and technology

Ultraheat towel radiators are manufactured using the most technically advanced, modern equipment and tested to EN442, the harmonised European Standard.

### Testing and heating emission

Prior to despatch, every radiator is pressure tested at 10 bars to guarantee a working pressure of 8 bars.

Heat outputs in this brochure are certified by the independent testing authority – HKL Laboratories of Stuttgart in Germany.

### Certification

Ultraheat Compact and Planal radiators carry the BS kitemark, which certifies independent approval of heat output to BS EN442 and verifies production under BS ISO 9000 quality system.

### Energy and environment

The efficient use of energy and materials is a constant objective of Ultraheat and a highly qualified team of design and production engineers constantly reviews opportunities for improvement.

### Water treatment

The manufacturer's warranty will only be valid if radiators are installed in accordance with BS 5449 section 5 'Commissioning'.

### IMPORTANT

Please read the following points carefully before installing your Ultraheat radiator:

**DO** make sure that you have a good design and layout of your central heating system as this will ensure satisfactory functioning of the system in general and the radiators in particular.

**DO** vent your system properly. Leaks and corrosion problems are usually due to excess air getting into the system.

**DO** pay attention that the drain points are really at the lowest points in the system.

**DO** make absolutely certain that the system is thoroughly flushed before it is commissioned. Rinse out all metal, flux and other foreign residues, the cause of pin-holing.

**DO** avoid over pumping the system, which causes negative pressure aeration, one of the commonest causes of corrosion.

**DO** add an approved chemical inhibitor as an additional safeguard, but remember that it is no substitute for good installation practice.

**DO** observe the above basic rules. Not only will you protect your warranty, but you will have years of trouble-free service from your radiator.

**DON'T FORGET** – the best radiators deserve the best installation practice.

We recommend trying to avoid installing a coloured or chrome plated mild steel towel rail inside zone 1 (the bath tab or shower enclosure area) or zone 2 (600mm around the zone 1 area). This is due to the risk of corrosion or deterioration of surface quality by seeping water. For that reason, any damage to a product arising from this particular installation will not be covered by our warranty.

## BASIC HEAT LOSS CALCULATOR

According to EN 442, inlet water temperature of 75°C, outlet water temperature of 65°C, and room temperature of 20°C are assumed. All heat output figures published in our publications are aligned to EN442.

The total heat output of the radiator you choose must compensate for the heat loss of your room so that it will maintain the interior temperature at 20°C. The following calculation will give you indication of your heat loss. If you would like to take into account all the factors affecting the heat loss, then you will need to use the more comprehensive heat loss calculator available at [www.ultraheat.co.uk](http://www.ultraheat.co.uk).

If you have limited space or a very large room, you can always put more than one radiator per room. Preferably you should locate radiators near windows and doors where heat loss is highest. Measure your living room in metres :

Height\_m : Length\_m : Depth\_m

ie : H:2.64m, L:3.65m, D:4.94m

### CALCULATE THE VOLUME OF THE ROOM :

H x L x D = cubic metres

ie : 2.64 x 3.65 x 4.94 = 47.60 cubic metres

### MULTIPLY BY A COEFFICIENT FOR EACH DESIRED ROOM TEMPERATURE :

42 : bedrooms (to achieve 18°C)

52 : bathrooms, wc, living, study, dining etc (to achieve 21°C)

ie : living room (52): 47.60 x 52 = 2475 watts

The heat loss in the living room is 2475 watts, but there are additional factors we need to consider for a better result – we need to add 10% for every factor as follows:

- Outside walls, if it is a corner room calculate two outside walls, which means (10% and 10%)

- Northern aspect room

- Ceiling height more than 2.7m

- Excessively large windows

- Single glaze

- Outside temperature assumed as -1°C, but if you would like to assume -2°C add 10%, -4°C add another 10%, -10°C add another 10%

ie : One outside wall, excessive window, 2475 x 1.1 x 1.1 = 2970 watts or 2554 kcal or 10144 btu – the final heat loss calculation.

Heat outputs are based on At:50°C with 75°C inlet / 65°C outlet water and 20°C room temperature.

Heat-outputs of chrome multirails are reduced by 20% due to plated finish.

Suffix P: for Polished Stainless Steel, W: for white, B: for black, C: for chrome, G: for Gold and S: for Brushed Matt Stainless Steel 304.

Pipe centre measurements incorporate one pair of valves, 45mm across where applicable.



# PITACS LTD TERMS & CONDITIONS

The Buyer's attention is in particular drawn to the provisions of condition 10.4.

## 1. Interpretation

- 1.1 The definitions and rules of interpretation in this condition apply in these conditions.
- 1.2 Buyer: the person, firm or company who purchases the Goods from the Seller.
- 1.3 Contract: any contract between the Seller and the Buyer for the sale and purchase of the Goods, incorporating these conditions.
- 1.4 Delivery Point: the place where delivery of the Goods is to take place under condition 4.
- 1.5 Goods: any goods agreed in the Contract to be supplied to the Buyer by the Seller (including any part or parts of them).
- 1.6 Seller: Pitacs Limited trading as Ultraheat and/or Aeon.
- 1.7 Words in the singular include the plural and in the plural include the singular.
- 1.8 A reference to one gender includes a reference to the other gender.
- 1.9 Condition headings do not affect the interpretation of these conditions.

## 2. Application of terms

- 2.1 Subject to any variation under condition 2.3 the Contract shall be on these conditions to the exclusion of all other terms and conditions (including any terms or conditions which the Buyer purports to apply under any purchase order, confirmation of order, specification or other document).
- 2.2 No terms or conditions endorsed on, delivered with or contained in the Buyer's purchase order, confirmation of order, specification or other document shall form part of the Contract simply as a result of such document being referred to in the Contract.
- 2.3 These conditions apply to all the Seller's sales and any variation to these conditions and any representations about the Goods shall have no effect unless expressly agreed in writing and signed by a director of the Seller. The Buyer acknowledges that it has not relied on any statement, promise or representation made or given by or on behalf of the Seller which is not set out in the Contract. Nothing in this condition shall exclude or limit the Seller's liability for fraudulent misrepresentation.
- 2.4 Each order or acceptance of a quotation for Goods by the Buyer from the Seller shall be deemed to be an offer by the Buyer to buy Goods subject to these conditions.
- 2.5 No order placed by the Buyer shall be deemed to be accepted by the Seller until a written acknowledgement of order is issued by the Seller or (if earlier) the Seller delivers the Goods to the Buyer.
- 2.6 The Buyer shall ensure that the terms of its order and any applicable specification are complete and accurate.
- 2.7 Any quotation is given on the basis that no Contract shall come into existence until the Seller despatches an acknowledgement of order to the Buyer. Any quotation is valid for a period of 30 days only from its date, provided that the Seller has not previously withdrawn it.

## 3. Description

- 3.1 The quantity and description of the Goods shall be as set out in the Seller's quotation or acknowledgement of order.
- 3.2 All samples, drawings, descriptive matter, specifications and advertising issued by the Seller and any descriptions or illustrations contained in the Seller's catalogues or brochures are issued or published for the sole purpose of giving an approximate idea of the Goods described in them. They shall not form part of the Contract and this is not a sale by sample.

## 4. Delivery

- 4.1 Unless otherwise agreed in writing by the Seller, delivery of the Goods shall take place at the Seller's place of business.
- 4.2 The Buyer shall take delivery of the Goods within 10 days of the Seller giving it notice that the Goods are ready for delivery.
- 4.3 Any dates specified by the Seller for delivery of the Goods are intended to be an estimate and time for delivery shall not be made of the essence by notice. If no dates are so specified, delivery shall be within a reasonable time.
- 4.4 Subject to the other provisions of these conditions the Seller shall not be liable for any direct, indirect or consequential loss (all three of which terms include, without limitation, pure economic loss, loss of profits, loss of business, depletion of goodwill and similar loss), costs, damages, charges or expenses caused directly or indirectly by any delay in the delivery of the Goods (even if caused by the Seller's negligence), nor shall any delay entitle the Buyer to terminate or rescind the Contract unless such delay exceeds 180 days.
- 4.5 If for any reason the Buyer fails to accept delivery of any of the Goods when they are ready for delivery, or the Seller is unable to deliver the Goods on time because the Buyer has not provided appropriate instructions, documents, licences or authorisations:
  - (a) risk in the Goods shall pass to the Buyer (including for loss or damage caused by the Seller's negligence);
  - (b) the Goods shall be deemed to have been delivered; and
  - (c) the Seller may store the Goods until delivery, whereupon the Buyer shall be liable for all related costs and expenses (including, without limitation, storage and insurance).
- 4.6 The Buyer shall provide at the Delivery Point and at its expense adequate and appropriate equipment and manual labour for loading the Goods. The Seller's delivery personnel shall not:
  - (a) deliver Goods to any place at the Delivery Point beyond the ground level hard surface nearest to the Seller's vehicle; nor
  - (b) carry Goods up steps.
- 4.7 The Seller may deliver the Goods by separate instalments. Each separate instalment shall be invoiced and paid for in accordance with the provisions of the Contract.
- 4.8 Each instalment shall be a separate Contract and no cancellation or termination of any one Contract relating to an instalment shall entitle the Buyer to repudiate or cancel any other Contract or instalment.
- 4.9 Unless the Buyer has ordered and paid for a special timed delivery at a time and place agreed by the Seller, the time of delivery shall be at any time on the date of delivery between 9am and 5pm.
- 4.10 The Buyer or its representative shall attend at the Delivery Point on the date and at the time of delivery and shall:
  - (a) forthwith inspect the outside of all packages before signing the delivery note on which note the inspector shall record all and any damage or short delivery;
  - (b) within 24 hours of delivery
    - (i) unpack and thoroughly inspect the Goods received; and
    - (ii) check the Goods received against the Goods ordered; and
    - (iii) report forthwith to the Seller any visible faults or imperfections and any missing Goods or parts thereof; and
    - (iv) retain the packaging and delivery documentation of any faulty or imperfect Goods for inspection by the Seller; and
    - (v) not install, adapt, sell or dispose of (nor permit any other person to install, adapt, sell or dispose of) any Goods which the Buyer and/or the person inspecting the delivered Goods has found to be faulty, imperfect or incomplete.
5. **Non-delivery**
- 5.1 The quantity of any consignment of Goods as recorded by the Seller on despatch from the Seller's place of business shall be conclusive evidence of the quantity received by the Buyer on delivery unless the Buyer can provide conclusive evidence proving the contrary.
- 5.2 The Seller shall not be liable for any non-delivery of Goods (even if caused by the Seller's negligence) unless the Buyer gives written notice to the Seller of the non-delivery within 4 days of the date when the Goods would in the ordinary course of events have been received.
- 5.3 Any liability of the Seller for non-delivery of the Goods shall be limited to replacing the Goods within a reasonable time or issuing a credit note at the pro rata Contract rate against any invoice raised for such Goods.
6. **Risk/title**
- 6.1 The Goods are at the risk of the Buyer from the time of delivery.
- 6.2 All Goods supplied by the Seller free of charge remain at all times the property of the Seller unless and until the Seller has agreed in writing to sell such Goods to the Buyer and has received payment in full in accordance with sub-clause 6.3 below. Samples supplied by the Seller free of charge may be used for display purposes only

- and shall be returned (at the Buyer's expense) to the Seller complete and in saleable condition within 3 months of delivery unless a longer period has been agreed in writing by the Seller.
- 6.3 Ownership of the Goods shall not pass to the Buyer until the Seller has received in full (in cash or cleared funds) all sums due to it in respect of:
  - (a) the Goods; and
  - (b) all other sums which are or which become due to the Seller from the Buyer on any account.
- 6.4 Until ownership of the Goods has passed to the Buyer, the Buyer shall:
  - (a) hold the Goods on a fiduciary basis as the Seller's bailee;
  - (b) store the Goods (at no cost to the Seller) separately from all other goods of the Buyer or any third party in such a way that they remain readily identifiable as the Seller's property;
  - (c) not destroy, deface or obscure any identifying mark or packaging on or relating to the Goods; and
  - (d) maintain the Goods in satisfactory condition and keep them insured on the Seller's behalf for their full price against all risks to the reasonable satisfaction of the Seller. On request the Buyer shall produce the policy of insurance to the Seller.
- 6.5 The Buyer may resell the Goods before ownership has passed to it solely on the following conditions:
  - (a) any sale shall be effected in the ordinary course of the Buyer's business at full market value; and
  - (b) any such sale shall be as a principal of the Seller's property on the Buyer's own behalf and the Buyer shall deal as if making such a sale.
- 6.6 The Buyer's right to possession of the Goods shall terminate immediately if:
  - (a) the Buyer has a bankruptcy order made against him or makes an arrangement or composition with his creditors, or otherwise takes the benefit of any statutory provision for the time being in force for the relief of insolvent debtors, or (being a body corporate) convenes a meeting of creditors (whether formal or informal), or enters into liquidation (whether voluntary or compulsory) except a solvent voluntary liquidation for the purpose only of reconstruction or amalgamation, or has a receiver and/or manager, administrator or administrative receiver appointed of its undertaking or any part thereof, or documents are filed with the court for the appointment of an administrator of the Buyer or notice of intention to appoint an administrator is given by the Buyer or its directors or by a qualifying floating charge holder (as defined in paragraph 14 of Schedule B1 to the Insolvency Act 1986), or a resolution is passed or a petition presented to any court for the winding-up of the Buyer or for the granting of an administration order in respect of the Buyer, or any proceedings are commenced relating to the insolvency or possible insolvency of the Buyer;
  - (b) the Buyer suffers or allows any execution, whether legal or equitable, to be levied on his/its property or obtained against him/it, or fails to observe or perform any of his/its obligations under the Contract or any other contract between the Seller and the Buyer, or is unable to pay its debts within the meaning of section 123 of the Insolvency Act 1986 or the Buyer ceases to trade; or
  - (c) the Buyer encumbers or in any way charges any of the Goods.
- 6.7 The Seller shall be entitled to recover payment for the Goods notwithstanding that ownership of any of the Goods has not passed from the Seller.
- 6.8 The Buyer grants the Seller, its agents and employees an irrevocable licence at any time to enter any premises where the Goods are or may be stored in order to inspect them, or where the Buyer's right to possession has terminated, to recover them.
- 6.9 Where the Seller is unable to determine whether any Goods are the goods in respect of which the Buyer's right to possession has terminated, the Buyer shall be deemed to have sold all goods of the kind sold by the Seller to the Buyer in the order in which they were invoiced to the Buyer.
- 6.10 On termination of the Contract, howsoever caused, the Seller's (but not the Buyer's) rights contained in this condition 6 shall remain in effect.
7. **Price**
- 7.1 Unless otherwise agreed by the Seller in writing, the price for the Goods shall be the price set out in the Seller's price list published on the date of delivery or deemed delivery.
- 7.2 The price for the Goods shall be exclusive of any value added tax and all costs or charges in relation to packaging, loading, unloading, carriage and insurance, all of which amounts the Buyer shall pay in addition when it is due to pay for the Goods provided that in respect of Goods delivered within Great Britain the price of Goods shall include:
  - (a) packaging, loading, unloading, and an element of insurance cover (for details of which cover please contact the Seller); and
  - (b) (for each order that is confirmed by the Seller to exceed its minimum order quantity in respect of that product type and delivery destination) the cost of carriage.
8. **Payment**
- 8.1 Unless otherwise agreed, the Buyer shall pay in full the price for the Goods in pounds at the time of placing its order with the Seller.
- 8.2 Subject to condition 8.4, payment of the full balance of the price for the Goods is due in pounds sterling on the last working day of the month in which the Goods are delivered or deemed to be delivered.
- 8.3 Time for payment shall be of the essence.
- 8.4 No payment shall be deemed to have been received until the Seller has received cleared funds.
- 8.5 All payments payable to the Seller under the Contract shall become due immediately on its termination despite any other provision.
- 8.6 The Buyer shall make all payments due under the Contract in full without any deduction whether by way of set-off, counterclaim, discount, abatement or otherwise unless the Buyer has a valid court order requiring an amount equal to such deduction to be paid by the Seller to the Buyer.
- 8.7 If the Buyer fails to pay the Seller any sum due pursuant to the Contract, the Buyer shall be liable to pay interest to the Seller on such sum from the date of payment at the annual rate of 2% above the base lending rate from time to time of Barclays Bank, accruing on a daily basis until payment is made, whether before or after any judgment. The Seller reserves the right to elect to claim interest under the Late Payment of Commercial Debts (Interest) Act 1998.
9. **Quality**
- 9.1 Where the Seller is not the manufacturer of the Goods, the Seller shall endeavour to transfer to the Buyer the benefit of any warranty or guarantee given to the Seller.
- 9.2 The Seller warrants that (subject to the other provisions of these conditions):
  - (a) on delivery, and for a period of 12 months from the date of delivery, the Goods shall:
    - (i) be of satisfactory quality within the meaning of the Sale of Goods Act 1979; and
    - (ii) be reasonably fit for any particular purpose for which the Goods are being bought if the Buyer had made known that purpose to the Seller in writing and the Seller has confirmed in writing that it is reasonable for the Buyer to rely on the skill and judgement of the Seller; and
  - (b) on delivery, and for a period of 24 months from the date of delivery, electrical appliances shall be free from material defects resulting from faulty manufacture or workmanship; and
  - (c) on delivery, and for a period of 5 years from the date of delivery, Ultraheat Kitchen and Bathroom radiators (excluding Goods falling within the foregoing sub-section (b)) shall be free from material defects resulting from faulty manufacture or workmanship; and
  - (d) on delivery, and for a period of 10 years from the date of delivery, Ultraheat Steel Panel radiators (excluding Goods falling within the foregoing sub-sections (b) or (c)) shall be free from material defects resulting from faulty manufacture or workmanship; and
  - (e) on delivery, and for a period of 20 years from the date of delivery, Aeon steel products (excluding Goods falling within the foregoing sub-sections (b), (c) or (d)) shall be free from leakage resulting from material defects due to faulty manufacture or workmanship.
- 9.3 The Seller shall not be liable for a breach of any of the warranties in condition 9.2 unless:
  - (a) the Buyer has complied with its obligations under these terms and conditions, in

- particular (without limitation) the Buyer's obligations pursuant to clause 4.10 above to inspect all Goods upon and immediately following delivery and notify the Seller promptly and in full of faulty, imperfect or incomplete Goods; and
- (b) the Buyer gives written notice of the defect to the Seller, and, if the defect is as a result of damage in transit to the carrier, within 3 days of the time when the Buyer discovers or ought to have discovered the defect; and
- (c) the Seller is given a reasonable opportunity after receiving the notice of examining such Goods and the Buyer (if asked to do so by the Seller) returns such Goods to the Seller's place of business at the Seller's cost for the examination to take place there.
- 9.4 The Seller shall not be liable for a breach of any of the warranties in condition 9.2 if:
  - (a) the Buyer makes any further use of such Goods after giving such notice; or
  - (b) the defect arises because the Buyer failed to follow the Seller's oral or written instructions as to the storage, installation, commissioning, use or maintenance of the Goods or (if there are none) good trade practice; or
  - (c) the serial numbers on the Goods have been removed, erased, concealed or for any other reason are unavailable; or
  - (d) the defect in question arises in whole or in part from reasonable wear and tear; or
  - (e) the Goods have not been installed with reasonable competence and in accordance with the best industry standards in the UK for professional installation of heating and plumbing; or
  - (f) the Buyer alters or repairs such Goods without the written consent of the Seller.
- 9.5 Subject to condition 9.3 and condition 9.4, if any of the Goods do not conform with either of the warranties in condition 9.2 the Seller shall at its option repair or replace such Goods (or the defective part) or refund the price of such Goods at the pro rata Contract rate provided that, if the Seller so requests, the Buyer shall, at the Seller's expense, return the Goods or the part of such Goods that is defective to the Seller.
- 9.6 If the Seller complies with condition 9.5 it shall have no further liability for a breach of any of the warranties in condition 9.5 in respect of such Goods.
- 9.7 Any Goods replaced shall belong to the Seller and any repaired or replacement Goods shall be guaranteed on these terms for the unexpired portion of the 12 month period.
10. **Limitation of liability**
- 10.1 Subject to condition 4, condition 5 and condition 9, the following provisions set out the entire financial liability of the Seller (including any liability for the acts or omissions of its employees, agents and sub-contractors) to the Buyer in respect of:
  - (a) any breach of these conditions;
  - (b) any use made or resale by the Buyer of any of the Goods, or of any product incorporating any of the Goods; and
  - (c) any representation, statement or tortious act or omission including negligence arising under or in connection with the Contract.
- 10.2 All warranties, conditions and other terms implied by statute or common law (save for the conditions implied by section 12 of the Sale of Goods Act 1979) are, to the fullest extent permitted by law, excluded from the Contract.
- 10.3 Nothing in these conditions excludes or limits the liability of the Seller:
  - (a) for death or personal injury caused by the Seller's negligence; or
  - (b) under section 2(3), Consumer Protection Act 1987; or
  - (c) for any matter which it would be illegal for the Seller to exclude or attempt to exclude its liability; or
  - (d) for fraud or fraudulent misrepresentation.
- 10.4 Subject to condition 10.2 and condition 10.3:
  - (a) the Seller's total liability in contract, tort (including negligence or breach of statutory duty), misrepresentation, restitution or otherwise, arising in connection with the performance or contemplated performance of the Contract shall be limited to the Contract price; and
  - (b) the Seller shall not be liable to the Buyer for indirect or consequential loss of profit or loss of business which arise out of or in connection with the Contract.
11. **Assignment**
- 11.1 The Seller may assign the Contract or any part of it to any person, firm or company.
- 11.2 The Buyer shall not be entitled to assign the Contract or any part of it without the prior written consent of the Seller.
12. **Force majeure**
- The Seller reserves the right to defer the date of delivery or to cancel the Contract or reduce the volume of the Goods ordered by the Buyer (without liability to the Buyer) if it is prevented from or delayed in the carrying on of its business due to circumstances beyond the reasonable control of the Seller including, without limitation, acts of God, governmental actions, war or national emergency, acts of terrorism, protests, riot, civil commotion, fire, explosion, flood, epidemic, lock-outs, strikes or other labour disputes (whether or not relating to either party's workforce), or restraints or delays affecting carriers or inability or delay in obtaining supplies of adequate or suitable materials, provided that, if the event in question continues for a continuous period in excess of 90 days, the Buyer shall be entitled to give notice in writing to the Seller to terminate the Contract.
13. **General**
- 13.1 Each right or remedy of the Seller under the Contract is without prejudice to any other right or remedy of the Seller whether under the Contract or not.
- 13.2 If any provision of the Contract is found by any court, tribunal or administrative body of competent jurisdiction to be wholly or partly illegal, invalid, void, voidable, unenforceable or unreasonably it shall to the extent of such illegality, invalidity, voidness, voidability, unenforceability or unreasonableness be deemed severable and the remaining provisions of the Contract and the remainder of such provision shall continue in full force and effect.
- 13.3 Failure or delay by the Seller in enforcing or partially enforcing any provision of the Contract shall not be construed as a waiver of any of its rights under the Contract.
- 13.4 Any waiver by the Seller of any breach of, or any default under, any provision of the Contract by the Buyer shall not be deemed a waiver of any subsequent breach or default and shall in no way affect the other terms of the Contract.
- 13.5 The parties to the Contract do not intend that any term of the Contract shall be enforceable by virtue of the Contracts (Rights of Third Parties) Act 1999 by any person that is not a party to it.
- 13.6 The formation, existence, construction, performance, validity and all aspects of the Contract shall be governed by English law and the parties submit to the exclusive jurisdiction of the English courts.
14. **Communications**
- 14.1 All communications between the parties about the Contract shall be in writing and delivered by hand or sent by pre-paid first class post or sent by fax:
  - (a) (in case of communications to the Seller) to its registered office or such changed address as shall be notified to the Buyer by the Seller; or
  - (b) (in the case of the communications to the Buyer) to the registered office of the addressee (if it is a company) or (in any other case) to any address of the Buyer set out in any document which forms part of the Contract or such other address as shall be notified to the Seller by the Buyer.
- 14.2 Communications shall be deemed to have been received:
  - (a) if sent by pre-paid first class post, two days (excluding Saturdays, Sundays and bank and public holidays) after posting (exclusive of the day of posting); or
  - (b) if delivered by hand, on the day of delivery; or
  - (c) if sent by fax on a working day prior to 4.00 pm, at the time of transmission and otherwise on the next working day.
- 14.3 Communications addressed to the Seller shall be marked for the attention of Mr Saffet Kalender.

Terms and Conditions are available as a PDF file upon request. Alternatively, they can be downloaded from our website.

## DELIVERY AND RECEIPT OF YOUR GOODS

Do not book your plumber until goods have been delivered and checked.

### Date of delivery

For items in stock a suitable delivery date should be arranged at time of order.

For out-of-stock items, an estimated delivery time will be stated on the invoice/receipt.

Please note that the estimated delivery date does not form part of the contract.

### Time of delivery

Standard service is any time between 9am and 5pm. Timed deliveries can be made but at an extra cost.

In some instances it may therefore be more convenient to have items delivered to a work address where someone is present to sign for them. In the unlikely event that goods do not arrive before 5pm (for standard service, or the relevant time for a timed delivery), please let us know the following or same day.

### Meeting the delivery

Someone will need to be at the delivery address on the day of delivery.

Outside packaging should be inspected before signing the delivery note\*.

If there is no-one available to sign for delivery, arrangements will be made to re-deliver at an additional cost to the customer.

\*If parcels are damaged or have been tampered with in any way they should not be signed for unless marked 'DAMAGED' or 'SHORT DELIVERED'.

No claim for damage in transit or shortage will be accepted if signed for 'RECEIVED IN GOOD CONDITION' or 'UNCHECKED' or 'NOT EXAMINED'.

Please note that, due to Health and Safety legislation, the driver is only allowed to deliver radiators to the nearest hard standing (pavement or driveway) and is not required to carry the radiators up any steps.

Where a radiator is too large or heavy for one man to handle safely please ensure someone is available at the delivery address to assist the driver.

### Within 24 hours of receiving radiators

Please unwrap and thoroughly inspect goods. Any visible fault or imperfection (or missing parts) must be reported to Ultraheat within one working day (24 hours) of receipt to enable us to send a replacement, otherwise goods shall be deemed to be acceptable.

A content sheet will be enclosed in the box with the radiator to enable you to check that all parts are present.

In the unlikely event that your radiator is visibly faulty, please ensure that you retain all the original packaging. We cannot accept back any radiator on the grounds of visible damage or visible fault if it has been plumbed in.

### Pipe centres

We can provide information on the exact position of pipework for any of our radiators.

This means the pipework can be installed before you receive your radiators. Please call if you require these measurements.

(Pipe centre measurements and other measurements may have higher variance in Stainless Steel products as they are hand made, therefore you are advised to erect your pipes after you have received the radiator).

Pipe centre measurements are incorporating pair of valve distance of 45mm each to total of 90mm where applicable.

## PREMIER RANGE MINIMUM ORDER / DELIVERY CRITERIA

Orders totalling £70 or less will carry an additional part carriage charge of £10. Orders above £70 will be delivered carriage free with the following exceptions:

Compact: Carriage free as per terms of your account

Planal, Klön, Linear, Sofi, Sovran, LSTRAD, Lanner: Carriage free providing minimum invoice value £350 mixed product achieved, otherwise delivery will be charged at £35.

If the above products are delivered with Compact 4 orders, minimum value does not apply.

Eco-Rail: Minimum quantity 10 units.

### Surcharges

Scottish Highlands and overseas postcodes will incur extra charges.

Next day pallet deliveries will incur extra charges.

Premium / Timed deliveries will incur extra charges.

Please contact our Sales Office for further details regarding applicable surcharges.

### Please note

All charges / values stated are exclusive of VAT.





**ULTRAHEAT**  
Premier Range

Ultraheat is the heating division of The Pitacs Group  
 Bradbourne Point, Bradbourne Drive, Tilbrook, Milton Keynes  
 Buckinghamshire MK7 8AT , United Kingdom  
 Tel: 01908 271155 Fax: 01908 640017 Email: info@pitacs.com  
 Web: www.ultraheat.co.uk

