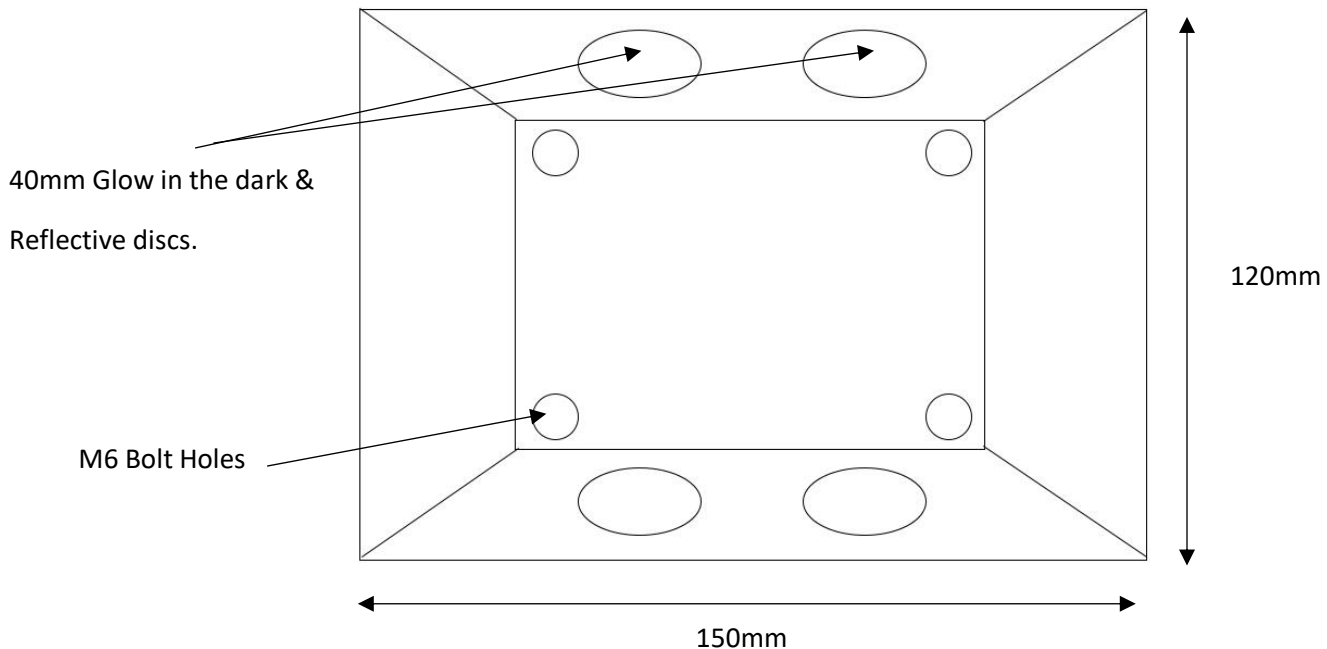




Specification Sheet

150 Cycle Delineator



KeyFeatures:

- Glow in the dark material and reflective discs both sides ensuring all road users are safe and can clearly see the cycle lane.
- The outside bored of the delineator has a rise of only 2mm making it pretty much flush with the surface.
- Chamfered edges throughout the delineator to again minimize any trips.
- Recycled Plastic beads mixed with a polymer resin creating a very durable and tough finish.
- 5-year guarantee.
- Can be used as a temporary or permanent measure.
- Glue or bolt down depending on job spec.
- Total weight of 1KG meaning its very quick and easy to install permanently or temporary.

Fitting Guide:

- 1. Measure and mark required distance between cycle delineator (Personal Preference).**
- 2. Centre the delineator on the mark you've just created.**
- 3. Mark the holes if you choose to secure with bolts and drill with a 6mm masonry drill bit. (If using glue method skip to step 5)**
- 4. Line delineator back up and insert M6 bolts and tighten until there is resistance.**
- 5. Mark your 4 corners of the delineator with chalk, remove delineator and apply the glue supplied until there is an even coverage.**
- 6. Place delineator on top of glue and press it firm towards the original surface.**
- 7. Allow 2 hours for the glue to fully set.**