

# COMPANY PRICE LIST

w.e.f. 15<sup>th</sup> March, 2022



[storeedgeindia.com](https://storeedgeindia.com)

**FIRST TIME IN INDIA**

# TABLE OF CONTENTS

## I. BOLTLESS MULTI PURPOSE RACK

2 -Shelf Rack - 2'3"(H) x 2'(W) x 1'(D)	<b>3</b>
3 - Shelf Rack - 2'3"(H) x 2'(W) x 1'(D)	<b>4</b>
Small Size (S) - 4'6"(H) x 2'(W) x 1'(D)	<b>5</b>
Tall Size (T) - 5'3"(H) x 2'(W) x 1'(D)	<b>6</b>
Medium Size(M) - 5'3"(H) x 2'8" (W) x 1'4"(D)	<b>7</b>
Large Size (L) - 6'(H) x 3' (W) x 1'(D)	<b>8</b>
XL Size (XL) - 6'(H) x 3' (W) x 1'6"(D)	<b>9</b>

## II. TURN - N - TUBE (PLASTIC & WOOD)

3 - Tier Shelf (TNT - 203)	<b>10</b>
4 - Tier Shelf (TNT - 204)	<b>11</b>
5 - Tier Shelf (TNT - 205)	<b>12</b>
3 - Tier Corner Rack (TNT - 213)	<b>13</b>
3 - Tier Corner Rack (TNT - 213)	<b>14</b>
3 - Tier Corner Rack (TNT - 213)	<b>15</b>
2 x2 Tier End Table (TNT - 104)	<b>16</b>
3 - Tier End Table (TNT - 2303)	<b>17</b>
4 - Tier Shoe Rack (TNT - 304)	<b>18</b>

## III. STEEL TUBES & WOODEN PRODUCTS

32" Computer Desk (CD - 32)	<b>19</b>
40" Computer Desk (CD - 40)	<b>20</b>
3 - Shelf Movable Rack (MR - 36)	<b>21</b>
4 - Shelf Movable Rack (MR - 48)	<b>22</b>
Coffee Table (CT - 32)	<b>23</b>
TV Console (TV - 44)	<b>24</b>

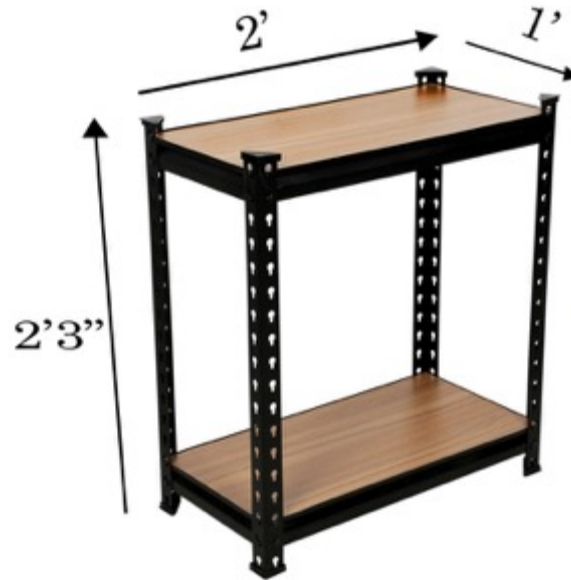
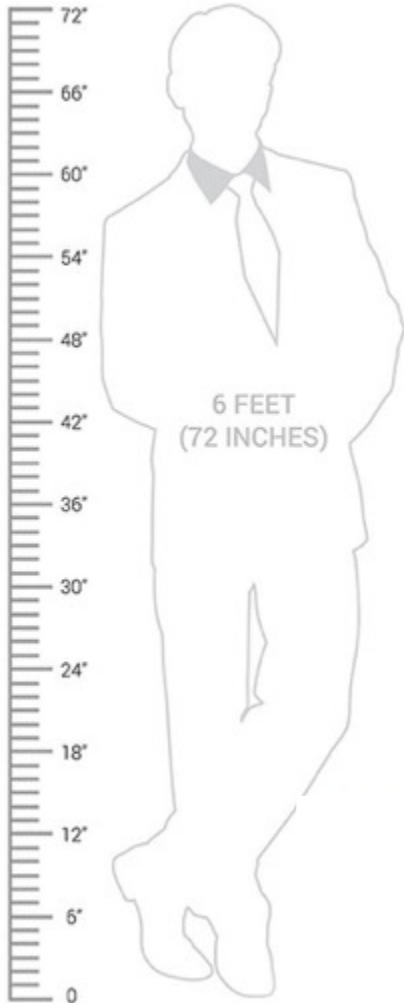
## IV. Bank Details & Contact Details

# bolt less rack

## — 2 shelf —



100 kg capacity per shelf



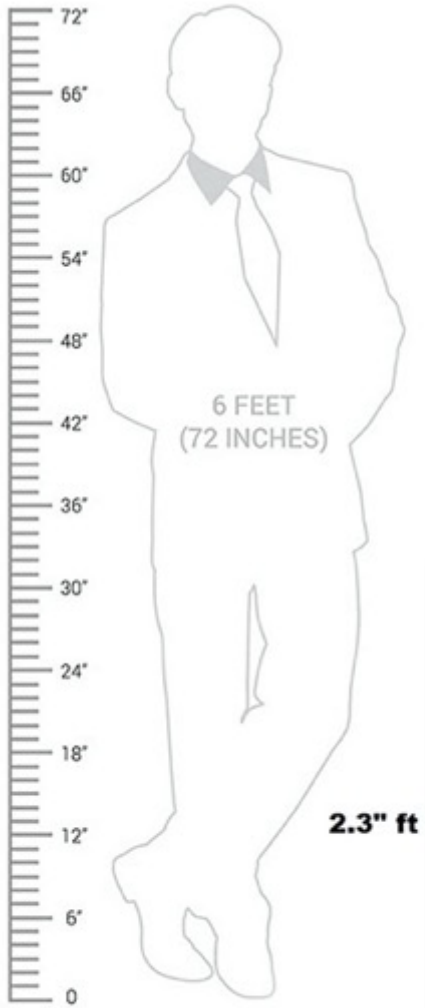
Model No.	Product Name	Packaging Dimension (mm) / Weight (kg)	Price
2 shelf	Boltless Multi Purpose Rack Size: 2'3"(H) x 2'(W) x 1'(D) – 2 shelves	705 x 330 x 65 / 5 kg	999/-

# bolt less rack

## 3 shelf



100 kg capacity per shelf



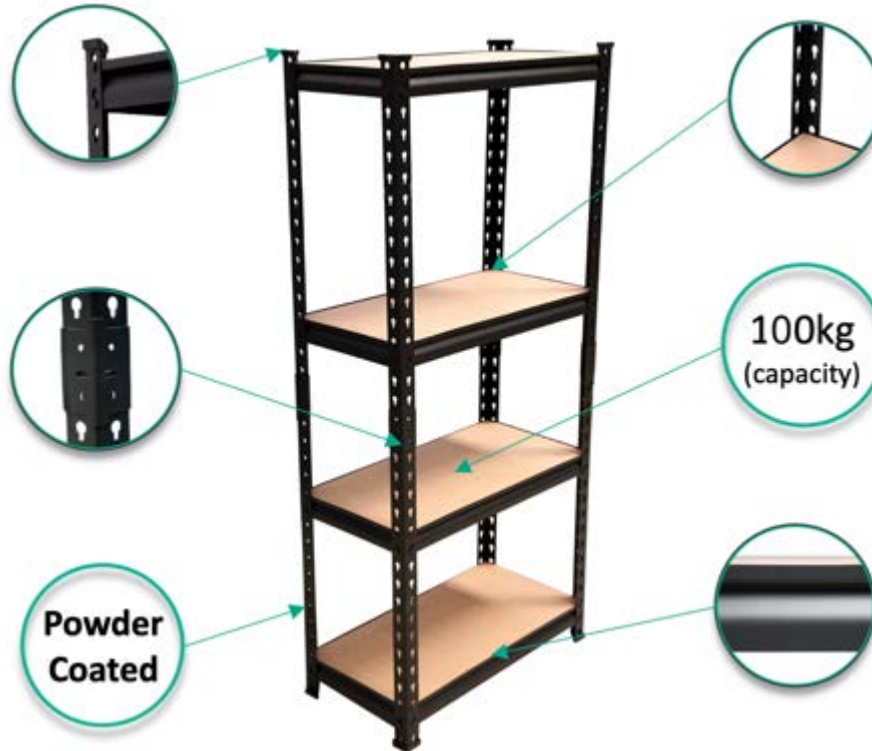
Model No.	Product Name	Packaging Dimension (mm) / Weight (kg)	Price
3 shelf	Boltless Multi Purpose Rack Size: 2'3"(H) x 2'(W) x 1'(D) – 3 shelves	705 x 330 x 65 / 8 kg	1249/-

# bolt less rack

## — small size —



100 kg capacity per shelf



Model No.	Product Name	Packaging Dimension (mm) / Weight (kg)	Non - Laminated Price	Laminated
S	Boltless Multi Purpose Rack Size: 4'6"(H) x 2'(W) x 1'(D) – 4 shelves	705 x 330 x 65 / 12 kg	1699/-	1949/-
S Extra	Extra Shelves Size: 4'6"(H) x 2'(W) x 1'(D) – 4 shelves	705 x 330 x 65 / 9 kg	949/-	1199/-

# bolt less rack

## — tal size —



100 kg capacity per shelf



Model No.	Product Name	Packaging Dimension (mm) / Weight (kg)	Non - Laminated Price	Laminated
T	Boltless Multi Purpose Rack Size: 5'3"(H) x 2'(W) x 1'(D) – 5 shelves	930 x 330 x 80 / 13.5 kg	2049/-	2349/-

# bolt less rack

## medium size



100 kg capacity per shelf



Model No.	Product Name	Packaging Dimension (mm) / Weight (kg)	Non - Laminated Price	Laminated
M	Boltless Multi Purpose Rack Size: 5'3"(H) x 2'8" (W) x 1'4"(D) – 5 shelves	930 x 435 x 80 / 19 kg	2599/-	3099/-
M Extra	Extra Shelves Size: 5'3"(H) x 2'8" (W) x 1'4"(D) – 5 shelves	930 x 435 x 80 / 15.5 kg	1699/-	2249/-

# bolt less rack

## — large size —



100 kg capacity per shelf



Model No.	Product Name	Packaging Dimension (mm) / Weight (kg)	Non - Laminated Price	Laminated
L	Boltless Multi Purpose Rack Size: 6'(H) x 3' (W) x 1'(D) – 5 shelves	930 x 330 x 80 / 18 kg	2549/-	2999/-
L Extra	Extra Shelves Size: 6'(H) x 3' (W) x 1'(D) – 5 shelves	930 x 330 x 80 / 14 kg	1599/-	2049/-



# bolt less rack

## xl size

100 kg capacity per shelf



Model No.	Product Name	Packaging Dimension (mm) / Weight (kg)	Non - Laminated Price	Laminated
XL	Boltless Multi Purpose Rack Size: 6'(H) x 3' (W) x 1'6"(D) – 5 shelves	930 x 485 x 80 / 23 kg	2949/-	3649/-
XL Extra	Extra Shelves Size: 6'(H) x 3' (W) x 1'6"(D) – 5 shelves	930 x 485 x 80 / 19 kg	1999/-	2649/-

# 3 tier shelf

## tnt - 203



made of plastic and wood



Model No.	Product Name	Packaging Dimension (mm) / Weight (kg)	Price
TNT - 203	3 Tier Shelf Size: 2'6"(H) x 2'(W) x 1'(D)	620 x 315 x 80 / 5.3 kg	849/-

# 4 tier shelf tnt - 204



made of plastic and wood



Model No.	Product Name	Packaging Dimension (mm) / Weight (kg)	Price
TNT - 204	4 Tier Shelf Size: 3'7"(H) x 2'(W) x 1'(D)	620 x 315 x 120 / 7 kg	1099/-

# 5 tier shelf

## tnt - 205



made of plastic and wood



Model No.	Product Name	Packaging Dimension (mm) / Weight (kg)	Price
TNT - 205	5 Tier Shelf Size: 4'9"(H) x 2'(W) x 1'(D)	620 x 315 x 135 / 8.8 kg	1399/-

# 3 tier corner rack tnt - 213



made of plastic and wood



Model No.	Product Name	Packaging Dimension (mm) / Weight (kg)	Price
TNT - 213	3 Tier Corner Rack Size: 2'6"(H) x 1'(W) x 1'(D)	385 x 315 x 80 / 2.3 kg	549/-

# 4 tier corner rack

## tnt - 214



made of plastic and wood



Model No.	Product Name	Packaging Dimension (mm) / Weight (kg)	Price
TNT - 214	4 Tier Corner Rack Size: 3'7"(H) x 1'(W) x 1'(D)	385 x 315 x 95 / 3.2 kg	749/-

# 5 tier corner rack

## tnt - 215



made of plastic and wood



Model No.	Product Name	Packaging Dimension (mm) / Weight (kg)	Price
TNT - 215	5 Tier Corner Rack Size: 4'9\"(H) x 1\"(W) x 1\"(D)	385 x 315 x 135 / 4.1 kg	899/-

# 2 x 2 tier end table



tnt - 104

made of plastic and wood



Model No.	Product Name	Packaging Dimension (mm) / Weight (kg)	Price
TNT - 104	2 x 2 Tier End Table Size: 1'8"(H) x 1'4"(W) x 1'2"(D)	480 x 375 x 95 / 6 kg	999/-



# 3 tier end table

tnt - 2303

made of plastic and wood



Model No.	Product Name	Packaging Dimension (mm) / Weight (kg)	Price
TNT - 2303	3 Tier End Table Size: 1'11"(H) x 1'4"(W) x 1'2"(D)	420 x 375 x 80 / 4.4 kg	699/-

# 4 tier shoe rack tnt - 304

made of plastic and wood



Model No.	Product Name	Packaging Dimension (mm) / Weight (kg)	Price
TNT - 304	4 Tier Shoe Rack Size: 1'11"(H) x 2'(W) x 1'(D)	620 x 315 x 120 / 6.6 kg	949/-

# 32" computer desk cd - 32



strong and unshakable

Storage Bag  
additional space to organize books



Iron Strut  
more support to ensure stability



Iron Hook  
convenient to hang stuff



Natural

Black

Model No.	Product Name	Packaging Dimension (mm) / Weight (kg)	Price
CD - 32	32" Computer Desk Size: 30"(H) x 32"(W) x 19"(D)	820 x 510 x 50 / 9 kg	1649/-

# 40" computer desk cd - 40



strong and unshakable

Storage Bag  
additional space to organize books



Iron Strut  
more support to ensure stability



Iron Hook  
convenient to hang stuff



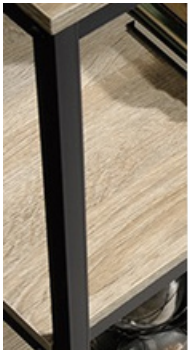
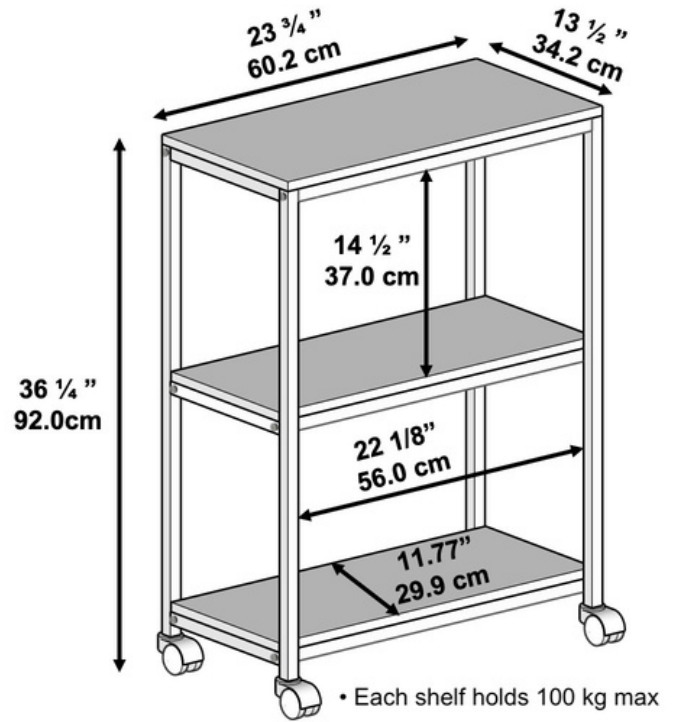
Natural

Black

Model No.	Product Name	Packaging Dimension (mm) / Weight (kg)	Price
CD - 40	40" Computer Desk Size: 30"(H) x 40"(W) x 19"(D)	1020 x 510 x 50 / 10.8 kg	1799/-

# 3 - SHELF MOVABLE RACK

MR - 36

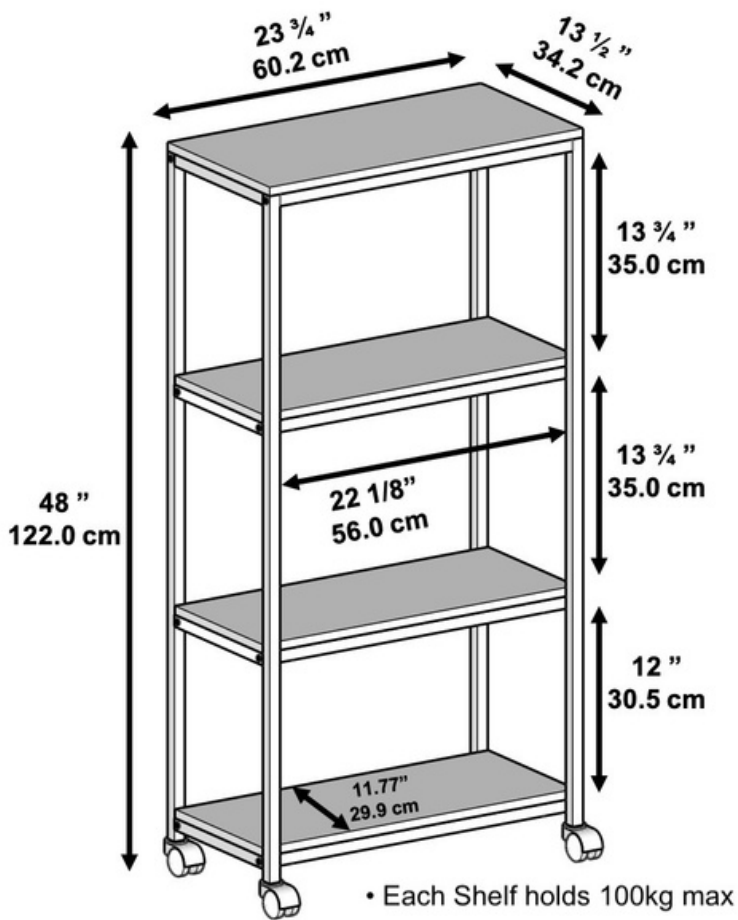


This Movable Rack is part of the **storeedge** line of furniture, featuring a vast array of different styles and loaded with features.



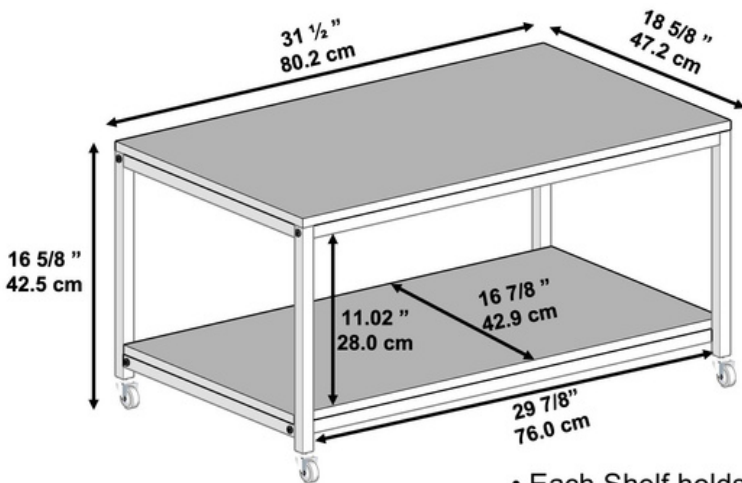
MODEL NO.	PRODUCT NAME / DIMENSIONS	PACKAGING DIMENSIONS (mm) / WEIGHT (kg)	PRICE
MR - 36	3 - Shelf Movable Rack / 3'(H) X 2'(W) X 1'1.5"(D)	870 X 360 X 110 / 10.5 kg	1899/-

# 4 - SHELF MOVABLE RACK



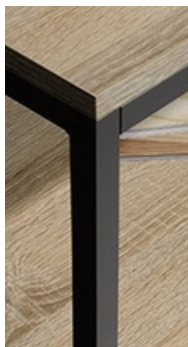
MODEL NO.	PRODUCT NAME / DIMENSIONS	PACKAGING DIMENSIONS (mm) / WEIGHT (kg)	PRICE
MR -48	4 - Shelf Movable Rack 4'(H) X 2'(W) X 1'1.5"(D)	1170 X 360 X 110 / 14 kg	2449/-

# COFFEE TABLE



• Each Shelf holds 100kg max

• Each Shelf holds 100kg max

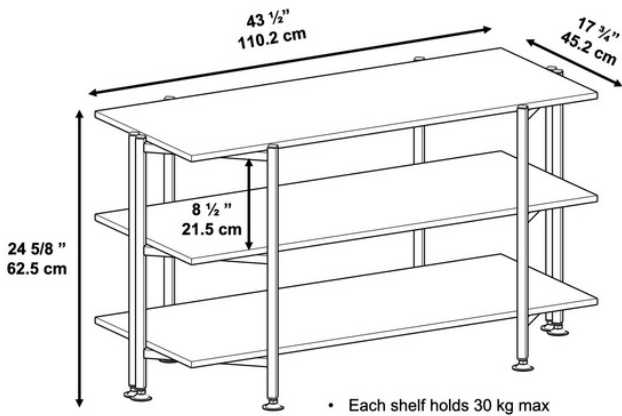


This Coffee Table is part of the **storedge** line of furniture, featuring a vast array of different styles and loaded with features.



MODEL NO.	PRODUCT NAME / DIMENSIONS	PACKAGING DIMENSIONS (mm) / WEIGHT (kg)	PRICE
CT - 32	Coffee Table / 1'5"(H) X 2'8"(W) X 1'7"(D)	820 X 490 X 80 / 11.5 kg	1699/-

# TV CONSOLE



This Console is part of the **storeEdge** line of furniture, featuring a vast array of different styles and loaded with features.



MODEL NO.	PRODUCT NAME / DIMENSIONS	PACKAGING DIMENSIONS (mm) / WEIGHT (kg)	PRICE
TV - 44	TV CONSOLE / 2'(H) X 3'8"(W) X 1'6"(D)	1170 X 470 X 95 / 20 kg	2649/-





storeedge industries

*Fits Space & Budget*

### Bank Details

<b>Bank Name</b>	HDFC BANK LTD.
<b>Bank Account Number</b>	50200053971403
<b>Branch Name</b>	SARELAWADI, SURAT
<b>Bank Branch IFSC</b>	HDFC0001249

### Contact Details

<b>Office Contact Number</b>	+91 93164 83480
<b>Email</b>	info@storeedgeindia.com
<b>Website</b>	storeedgeindia.com
<b>Address</b>	Plot No. 1031, Road No.1, Diamond Industrial Park, Talangpur Road, Sachin Surat – 394230, Gujarat

### Terms & Conditions

1. GST: 18% Extra.
2. Freight and Transit Insurance Extra.
3. Payment Terms: 100% Advance.
4. No cash accepted.
5. Subject to Surat Jurisdiction.