

Technical sheet

MLA-T 533-145 V+

Articulated loaders



Capacities	Metric
Static tipping load with forks (straight)	4978 kg
Static tipping load with forks (full turn)	4147 kg
Max. payload with forks as per EN 474-3 (80%)	3300 kg
h3 - Max. lifting height (below forks)	5.20 m
Max. outreach	3.30 m
Reach at max. height	1.20 m
Breakout force with bucket	6730 daN
Weight and dimensions	
Unladen weight (with forks) with cab	8430 kg
m4 - Ground clearance	0.39 m
l2 - Overall length to carriage (with hitch)	5.72 m
y - Wheelbase	2.50 m
b1 - Overall width (over tyres)	2.29 m
h17 - Overall height with cab	2.70 m
a4 - Crowd angle	9 °
a5 - Dump angle	156 °
wa1 - External turning radius (over tyres)	4.20 m
Articulation angle	44 °
Standard tyres	460/70 R24 159A8 A580 - Alliance
Performances	
Lifting	- / 6 s
Lowering	- / 5.10 s
Extension	- / 3.80 s
Retraction	- / 2.40 s
Crowd	3.50 s
Dump	2.70 s
Engine	
Brand	Deutz
Environmental norm	Stage IV / Tier 4 Final
Model	TCD 4.1 L4
Number of cylinders - Cubic capacity	4 - 4038 cm ³
Power	143 hp / 105 kW
Max. torque	550 Nm at 1600 rpm
Transmission	
Type	M-Vario Plus (Continuous Variable Transmission)
Max. travel speed	40 km/h
Differential lock	Limited slip differential on front axle
Parking brake	Manual parking brake
Hydraulics	
Hydraulic pump type	Load sensing pump
Hydraulic flow - Pressure	158 l/min - 270 bar
Tank capacities	
Hydraulic oil	150 l
Fuel	150 l
Diesel Exhaust fluid (AdBlue® type)	10 l
Noise & vibration	
Noise at driving position (LpA)	72 dB(A)
Environmental noise (LwA)	107 dB(A)
Vibration to whole hand / arm	2.5 m/s ²
Miscellaneous	
Safety	Tractor homologation Cab ROPS - FOPS Level 2

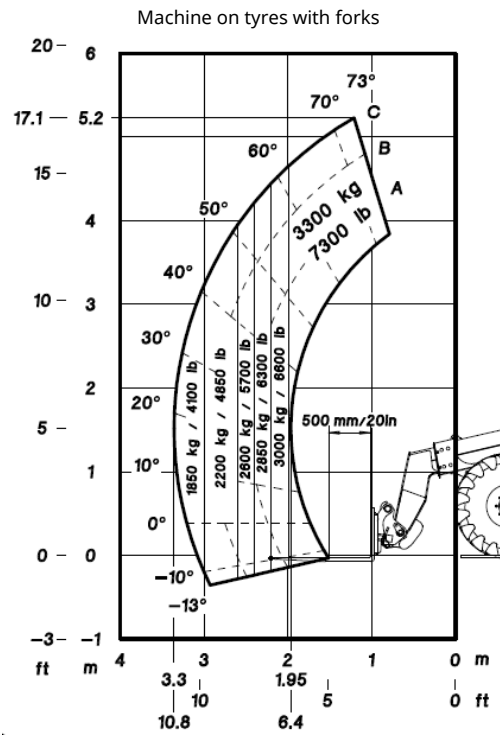
Tyre options

Optional tires	Overall machine height	Overall machine width
Michelin - 460/70 R24 159A8 XMCL	2.70 m	2.29 m
Michelin - 500/70 R24 164A8 XMCL	2.74 m	2.36 m
Michelin - 460/70 R24 159A8 Bibload	2.70 m	2.29 m
Michelin - 500/70 R24 164A8 Bibload	2.74 m	2.36 m

Options / Finishing

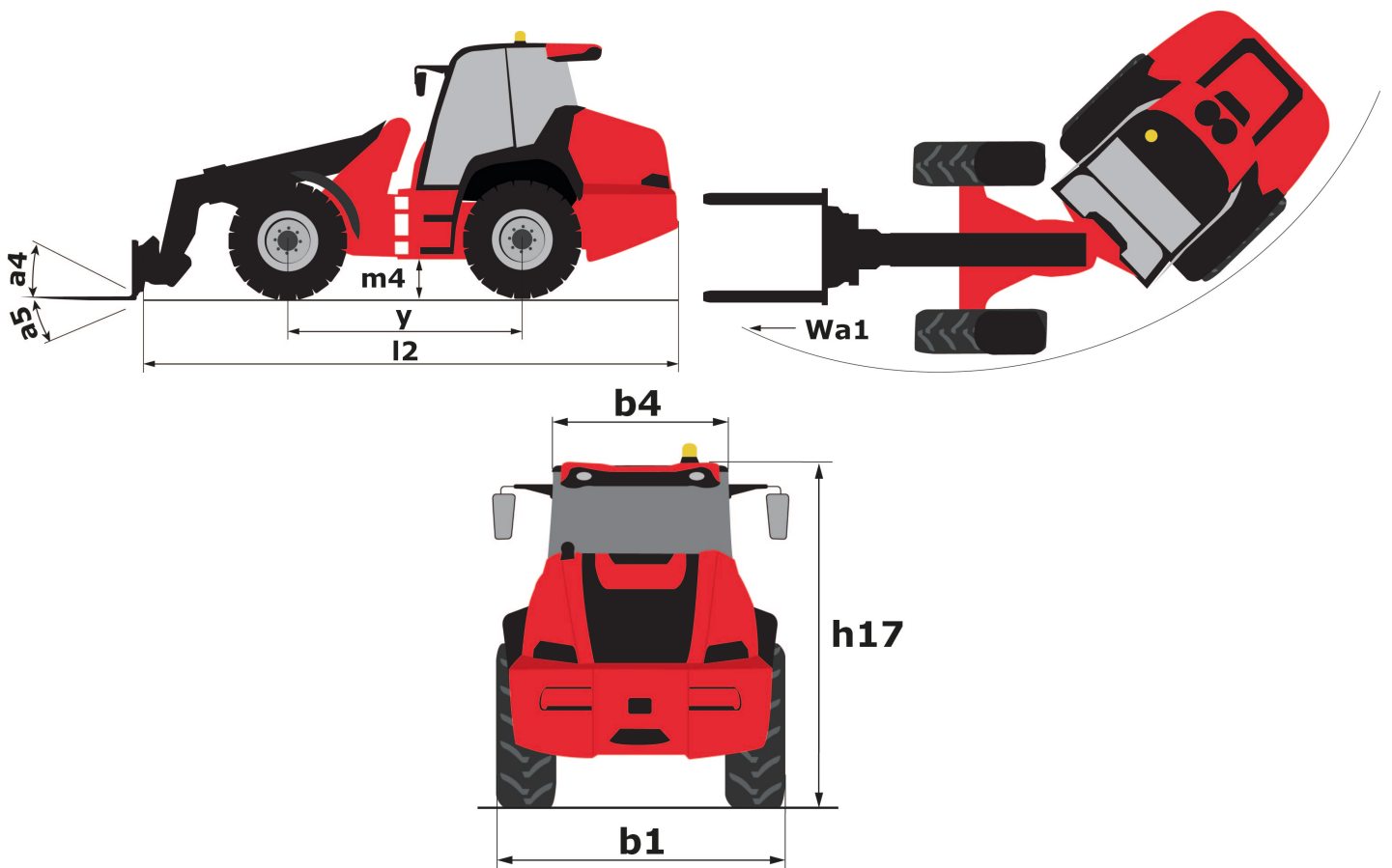
S : Standard / O : Optional / - : Not available

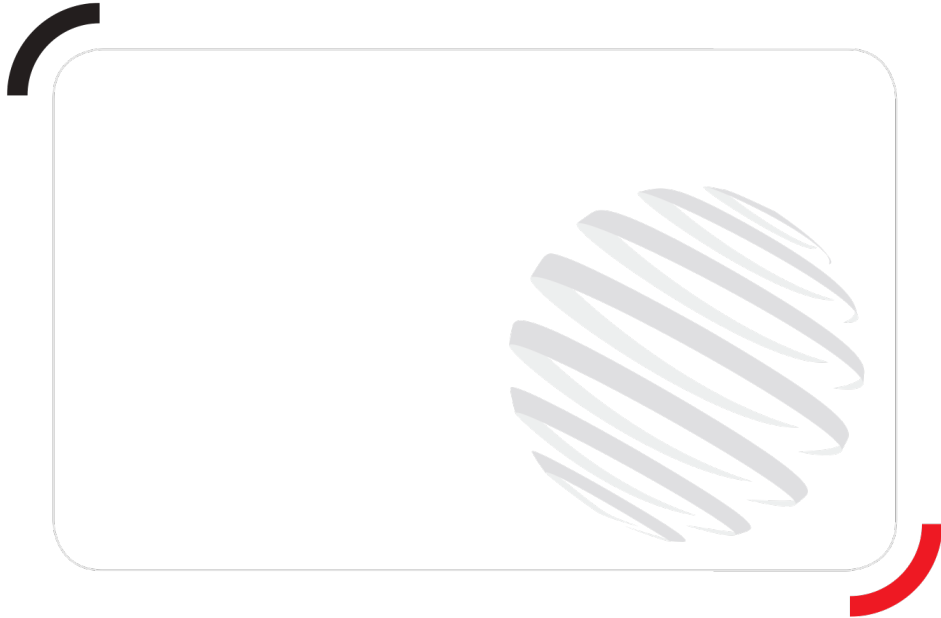
	Classic	Premium	Elite
General			
Self cleaning air prefilter	S	S	S
Hand throttle	S	S	S
Speed control	S	S	S
Comfort			
Mechanical cloth-covered seat (Grammer)	S	-	-
Air suspension cloth-covered seat (GRAMMER)	O	S	-
Low frequency air suspension cloth-covered seat (GRAMMER)	O	O	S
Low frequency air suspension cloth-covered seat with heating (GRAMMER)	O	O	O
Air conditioning with automatic adjustment	O	S	S
"Active CRC" boom suspension	O	O	S
Tuner car radio (50 W)	S	-	-
Bluetooth car radio with integrated microphone (100 W)	O	S	-
Bluetooth car radio with extra microphone (100 W)	O	O	S
Adjustable steering column	S	S	S
Floor mat	S	S	S
Hydraulic			
Attachment hydraulic locking	O	O	O
Easy Connect System (ECS)	S	S	S
Continuous flow hydraulics	O	O	S
Intelligent Hydraulics	O	O	S
Regenerative Hydraulics	O	S	S
Attachment hydraulic line	S	S	S
Electricity / Safety			
Complete road lighting	S	S	S
Rotating beacon light	S	S	S
Front and rear work lights on cab (x4: 2 front + 2 rear)	S	-	-
Front and rear LED work lights on cab (x4 : 2 front + 2 rear)	O	S	S
Electric mirror with de-icing	O	O	S



Load chart compliant with EN 474-3 (80%)

Dimensional drawing





Siège Social
430 rue de l'Aubinière - 44150 Ancenis Cedex - France
Tel: +33(0)2 40 09 10 11 - Fax: +33 (0)2 40 09 10 97
www.manitou.com



This brochure describes versions and configuration options for Manitou products which may be fitted with different equipment. The equipment described in this brochure may be standard, optional or not available depending on version. Manitou reserves the right to change the specifications shown and described at any time and without prior warning. The manufacturer is not liable for the specifications given. For more information, contact your Manitou dealer. Non-contractual document. Product descriptions may differ from actual products. List of specifications is not comprehensive. The logos and visual identity of the company are the property of Manitou and may not be used without authorisation. All rights reserved. The photos and diagrams contained in this brochure are provided for information only.

MANITOU BF SA - Limited company with board of directors - Share capital: 39,547,824 euros - 857 802 508 RCS Nantes