

LUMAX
TECHNOLOGY



NOVA II FLOOD

Tel: 0212284529

Email: info@lumaxtechnology.com

Key Features

Die Casting Heat Sink: Excellent Thermal Management & Compact Structure

Single Module 50W/60W,
Up To 5 Modules Can Be
Combined Into 300W

High Strength Polycarbonate Lens: Realize In IK08
Tempered Glass Cover Option: To Apply In Harsh
Conditions

Embedded Cable Raceway:
Optimize Cable Layout

Racked Angle: Allows For Precise
Installation, Up To 270°

"4mm Thickness L Shape Bracket:
Wind Resistant Rate 17

Photometry: Symmetrical 30°/45°/60°/90°,
Asymmetric 150°*80°/120°*90°



NOVA II Flood Light

ISL-SDD-B50W/60W

Specifications

Optical Data

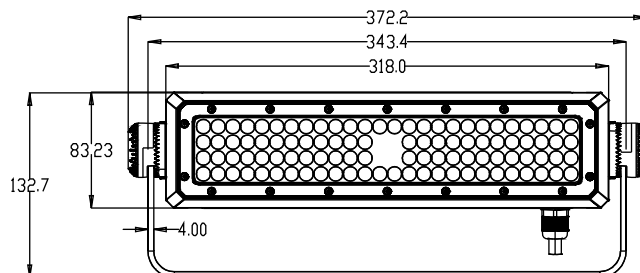
Power	50W/60W
LED Chips	OSRAM
Luminous Efficacy	140~150lm/W
Luminous Flux	Refer to IES
CCT	3000K~6500K
Beam Angle	25°/45°/60°/90° / 80°/150°/90°/120°
CRI (Ra)	70+/80+

Electrical Data

Driver	Meanwell/Sosen
Input Voltage	45V
Power Factor	>0.95
Output Voltage	DC45V
Total Harmonic Distortion	<15%
Driver Efficiency	92%

Others

IP Rating	IP66
Lifespan	60,000Hrs
Housing	ADC12
Lens Material	Polycarbonate
Fixture Size	L133XW372XH97mm
Carton Size	432*182*14mm
Net Weight	1.8KG
Gross Weight	2KG



NOVA II Flood Light

ISL-SDD-B100W/120W

Specifications

Optical Data

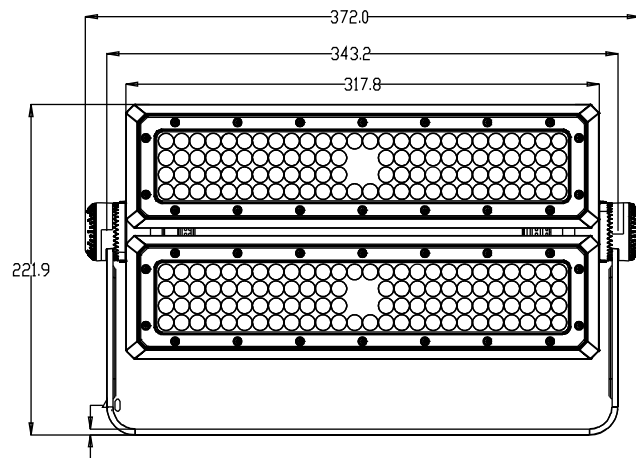
Power	100W/120W
LED Chips	OSRAM
Luminous Efficacy	140~150lm/W
Luminous Flux	Refer to IES
CCT	3000K~6500K
Beam Angle	25°/45°/60°/90° / 80°*150°/90°*120°
CRI (Ra)	70+/80+

Electrical Data

Driver	Meanwell/Sosen
Input Voltage	AC100~277V
Power Factor	>0.95
Output Voltage	DC45V
Total Harmonic Distortion	<15%
Driver Efficiency	92%

Others

IP Rating	IP66
Lifespan	60,000Hrs
Housing	ADC12
Lens Material	Polycarbonate
Fixture Size	L220XW372XH97mm
Carton Size	432*282*148mm
Net Weight	3.2KG
Gross Weight	3.8KG



NOVA II Flood Light

ISL-SDD-B150W/180W

Specifications

Optical Data

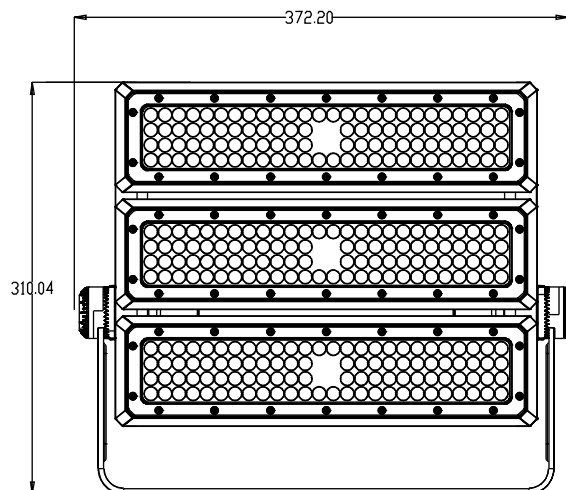
Power	150W/180W
LED Chips	OSRAM
Luminous Efficacy	140~150lm/W
Luminous Flux	Refer to IES
CCT	3000K~6500K
Beam Angle	25°/45°/60°/90° / 80°150°/90°120°
CRI (Ra)	70+/80+

Electrical Data

Driver	Meanwell/Sosen
Input Voltage	AC100~277V
Power Factor	>0.95
Output Voltage	DC45V
Total Harmonic Distortion	<15%
Driver Efficiency	92%

Others

IP Rating	IP66
Lifespan	60,000Hrs
Housing	ADC12
Lens Material	Polycarbonate
Fixture Size	L310XW372XH97mm
Carton Size	432*370*148mm
Net Weight	4KG
Gross Weight	4.5KG



NOVA II Flood Light

ISL-SDD-B200W/240W

Specifications

Optical Data

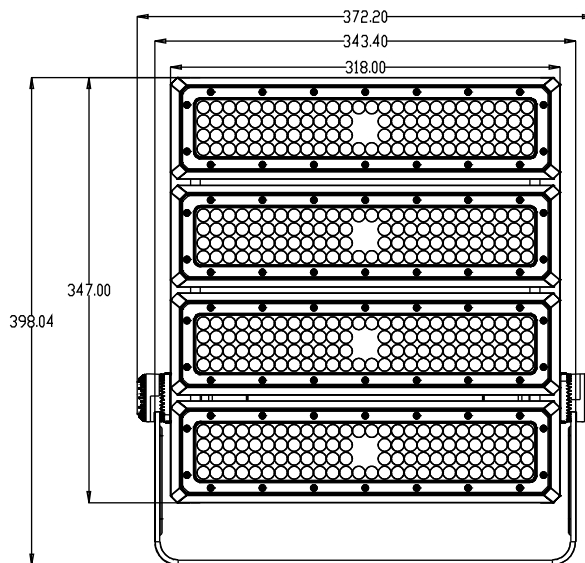
Power	200W/240W
LED Chips	OSRAM
Luminous Efficacy	140~150lm/W
Luminous Flux	Refer to IES
CCT	3000K~6500K
Beam Angle	25°/45°/60°/90° / 80°/150°/90°/120°
CRI (Ra)	70+/80+

Electrical Data

Driver	Meanwell/Sosen
Input Voltage	AC100~277V
Power Factor	>0.95
Output Voltage	DC45V
Total Harmonic Distortion	< 15%
Driver Efficiency	92%

Others

IP Rating	IP66
Lifespan	60,000Hrs
Housing	ADC12
Lens Material	Polycarbonate
Fixture Size	L398xW372xH97mm
Carton Size	432*458*148mm
Net Weight	4.5KG
Gross Weight	5.2KG



NOVA II Flood Light

ISL-SDD-B250W/300W

Specifications

Optical Data

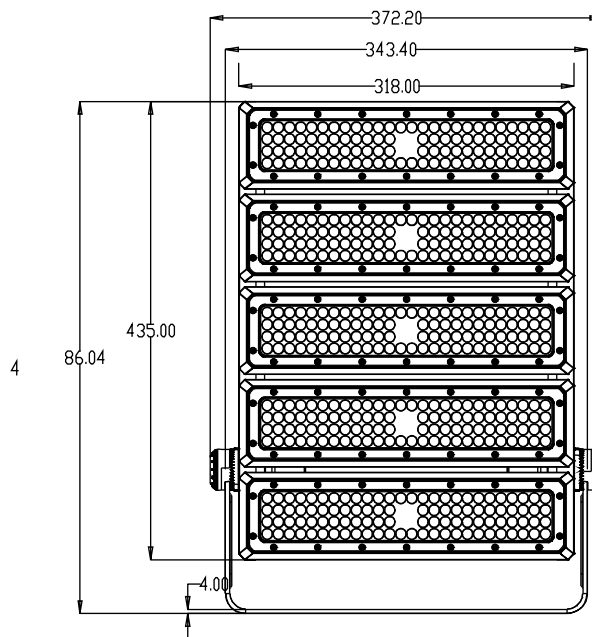
Power	250W/300W
LED Chips	OSRAM
Luminous Efficacy	140~150lm/W
Luminous Flux	Refer to IES
CCT	3000K~6500K
Beam Angle	25°/45°/60°/90° / 80°*150°/90°*120°
CRI (Ra)	70+/80+

Electrical Data

Driver	Meanwell/Sosen
Input Voltage	AC100~277V
Power Factor	>0.95
Output Voltage	DC45V
Total Harmonic Distortion	< 15%
Driver Efficiency	92%

Others

IP Rating	IP66
Lifespan	60,000Hrs
Housing	ADC12
Lens Material	Polycarbonate
Fixture Size	L486xW372xH97mm
Carton Size	432*546*148mm
Net Weight	5.5KG
Gross Weight	6KG





Contact Us

Tel: 0212284529

Email:

info@lumaxtechnology.com