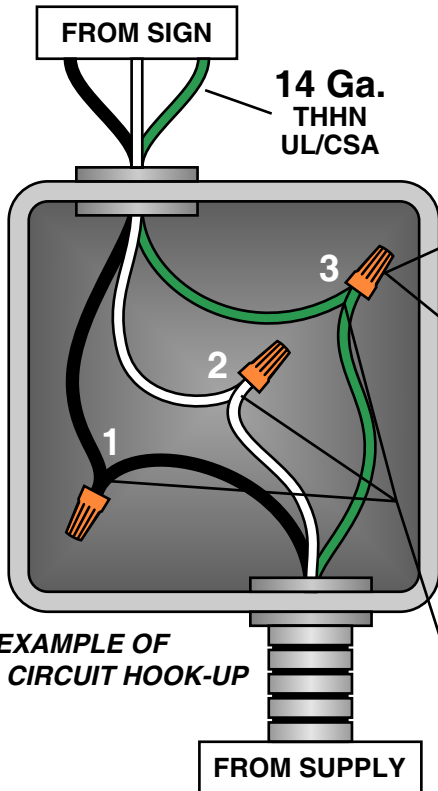
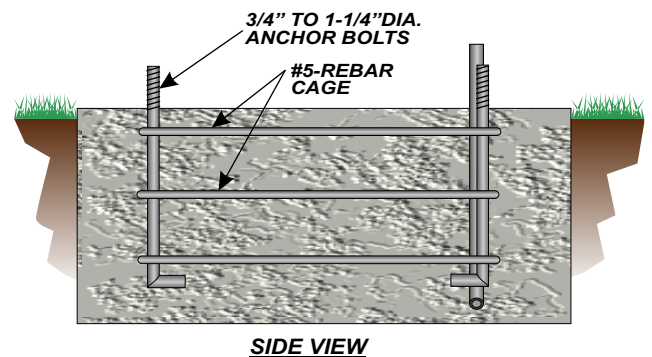
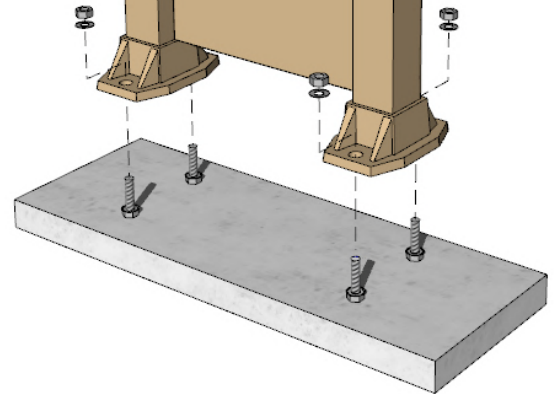
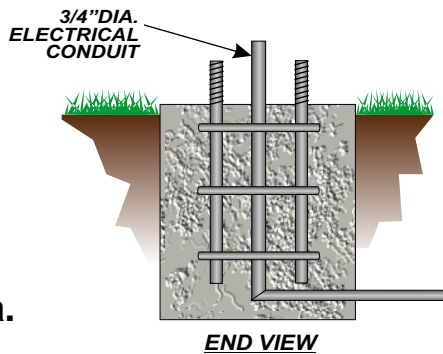




INSTALL INFORMATION

1. ROBSON SUPPLIES "SURE-FIT" WOOD TEMPLATE, ANCHOR BOLTS, NUTS & WASHERS, AND INSTRUCTIONS.
2. USE ROBSON "SURE-FIT" TEMPLATE FOR EXACT PLACEMENT OF ANCHOR BOLTS. PLEASE REMEMBER TO PROTECT THREADS FROM CONCRETE.
3. USE CEMENT TIES TO HOLD REBAR AND ANCHOR BOLTS TOGETHER.
4. CUSTOMER SUPPLIES REBAR, CEMENT TIES, ELECTRICAL CONDUIT, FORMS AND CONCRETE.
5. UNLESS OTHERWISE RECORDED OR DOCUMENTED, CUSTOMER ASSUMES ALL RESPONSIBILITY FOR PERMITS ENGINEERING AND RELATED IMPORTANT DETAILS.



WIRE NUT
ALSO CALLED SOLDERLESS, TWIST-ON, MARR, OR MARETTE CONNECTORS

- 1. BLACK = LOAD
- 2. WHITE = NEUTRAL
- 3. GREEN = GROUND

*EXAMPLE OF 1 CIRCUIT HOOK-UP

THIS SIGN IS INTENDED TO BE INSTALLED IN ACCORDANCE WITH THE REQUIREMENTS OF ARTICLE 600 OF THE NATIONAL ELECTRICAL CODE AND/OR OTHER APPLICABLE LOCAL CODES