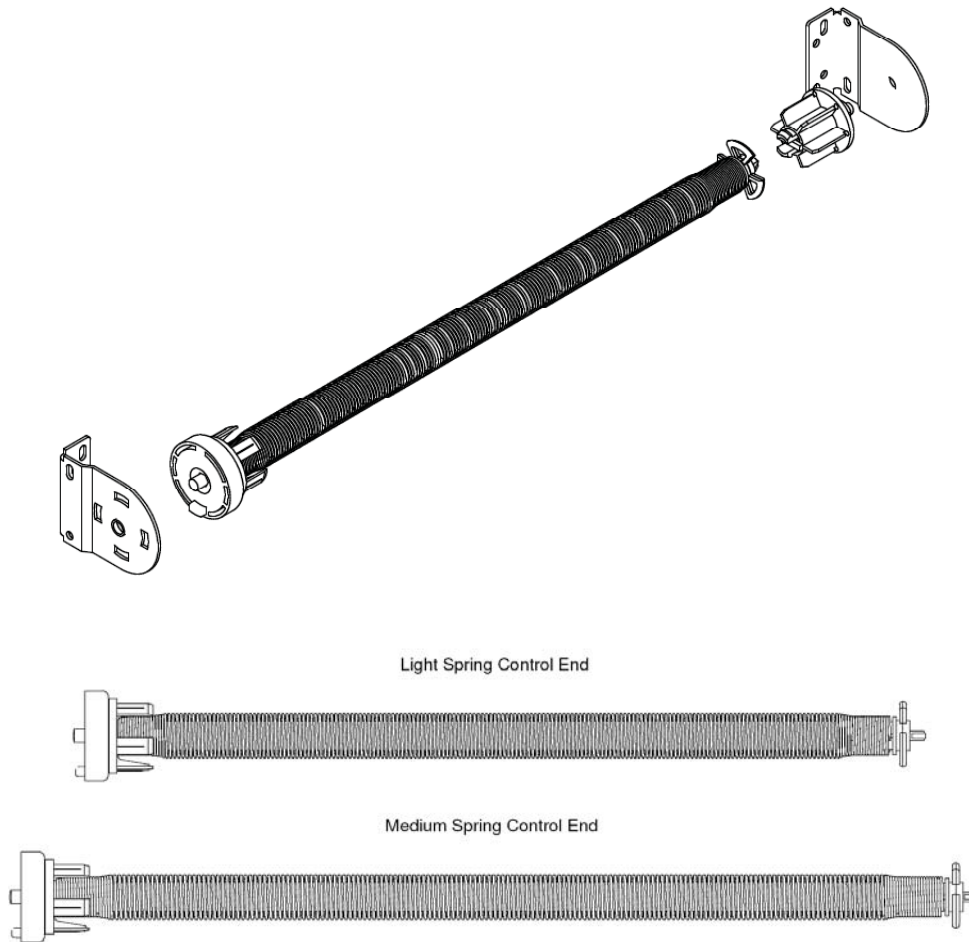


SR Series System 32[®] matrix 2011

FABRIC	LIGHT SPRING/Sq M	MEDIUM SPRING/Sq M	MAX FOR RANGE/Sq M
Alaska	up to 2.4	2.5 - 4	4
Aura	up to 2.0	2.1 - 4	4
Bali	up to 2.5	2.6 - 4	4
Batik SPC	up to 2.2	2.3 - 4	4
Blossom	up to 3.1	3.2 - 4	4
Carnival	up to 2.8	2.9 - 4	4
Chatsworth	up to 2.3	2.4 - 4	4
Colourtex	up to 1.6	1.7 - 4	4
Contex	up to 2.1	2.2 - 4	4
Contex SPC	up to 1.8	1.9 - 4	4
Cotswold	up to 1.5	1.6 - 3.9	3.9
Cotswold Hemp	up to 1.1	1.2 - 2.8	2.8
Country Garden	up to 2.2	2.3 - 4	4
Cumulus	up to 2.2	2.3 - 4	4
Dahlia	up to 1.1	1.2 - 2.8	2.8
Damask	up to 1.5	1.6 - 3.9	3.9
Dapple SPC	up to 1.6	1.7 - 4	4
Decadence	up to 2.5	2.6 - 4	4
Ex-Lite	up to 1.1	1.2 - 2.8	2.8
Festoon	up to 1.9	2.0 - 4	4
Fleur	up to 2.1	2.2 - 4	4
Guardian	up to 1.6	1.7 - 4	4
Harvest	up to 2.0	2.1 - 4	4
Henley	up to 1.2	1.3 - 3.2	3.2
Jamboree	up to 2.7	2.8 - 4	4
Karunda	up to 1.2	1.3 - 3.2	3.2
Kasbah	up to 2.0	2.1 - 4	4
Kendo	up to 1.4	1.5 - 3.6	3.6
Kyoto	up to 1.2	1.3 - 3.2	3.2
Laurel	up to 2.1	2.2 - 4	4
Lily	up to 1.2	1.3 - 3.2	3.2
Linen	up to 2.4	2.5 - 4	4
Louvotex FR	up to 1.9	2.0 - 4	4
Luna	up to 1.1	1.2 - 2.8	2.8

FABRIC	LIGHT SPRING/Sq M	MEDIUM SPRING/Sq M	MAX FOR RANGE/Sq M
Lusto	up to 2.3	2.4 - 4	4
Madrid SPC	up to 2.2	2.3 - 4	4
Mantilla	up to 2.2	2.3 - 4	4
Metro ESP	up to 3.0	3.1 - 4	4
Mirage	up to 2.8	2.9 - 4	4
Monet	up to 2.8	2.9 - 4	4
Montana	up to 1.7	1.8 - 4	4
Natura	up to 2.0	2.1 - 4	4
Nocturne	up to 1.2	1.3 - 3.0	3.0
Nouveaux	up to 2.0	2.1 - 4	4
Organza ESP	up to 2.4	2.5 - 4	4
Panama	up to 1.2	1.3 - 3.1	3.1
Pearl	up to 2.0	2.1 - 4	4
Pergola	up to 2.0	2.1 - 4	4
Perspective	up to 1.1	1.2 - 2.8	2.8
Pharaoh	up to 1.4	1.5 - 3.6	3.6
Pinstripe	up to 2.3	2.4 - 4	4
Plaintex	up to 1.2	1.3 - 3.0	3.0
Quartz ESP	up to 3.0	3.1 - 4	4
Ravel	up to 3.1	3.2 - 4	4
Regency SPC	up to 2.3	2.4 - 4	4
Retro	up to 1.6	1.7 - 4	4
Riviera	up to 3.2	3.3 - 4	4
Savanna	up to 2.5	2.6 - 4	4
Savoy	up to 1.3	1.4 - 3.3	3.4
Screentex	up to 2.3	2.4 - 4	4
Sentry SPC	up to 2.9	3.0 - 4	4
Stipple	up to 2.5	2.6 - 4	4
Strata SPC	up to 2.4	2.5 - 4	4
Taffeta	up to 1.1	1.2 - 2.9	2.9
Tessa	up to 0.9	1.0 - 2.4	2.4
Tudor	up to 1.5	1.6 - 3.9	3.9
Voile	up to 3.7	3.8 - 4	4
Whisper	up to 2.0	2.1 - 4	4



Louvolite now offer a new range of System 32 SR components.
We now have a Light Spring (R1022) and Medium Spring (R1020)

New developments in the Spring Return Control Mechanism :-

- Greatly improved operation for 'locking' and 'unlocking'
- With Spring developments, an operational speed improvement has been achieved.
- The introduction of the 'Light Spring' means smaller domestic blinds have an improved 'any position' operation.
- The developments on the 'Medium Spring' gives greater control on larger blind installations.

With these improvements we have also created a matrix to assist in selecting the correct spring for operation. (please see attached SR Matrix 09-10). In order to select the right SR unit for you blind, its easy, all you need to do is work out the area of your blind, select the material, and read off the chart.

e.g for a 1.5m x 1.5m blind in Carnival material:-

$$1.5 \times 1.5 = 3$$

Read across the chart 'blind area' to 3, then go down the list of fabrics to Carnival. The box is coloured green showing 1.12(blind weight) which means a Medium Spring is required.