

QUICK STEP GUIDE

Venner WireSafe™ is a procedure pack for preventing retained central line guidewires and making central line procedures safer.

It also acts both as a container for protection of its content and a safety disposal unit.

1. Preparation

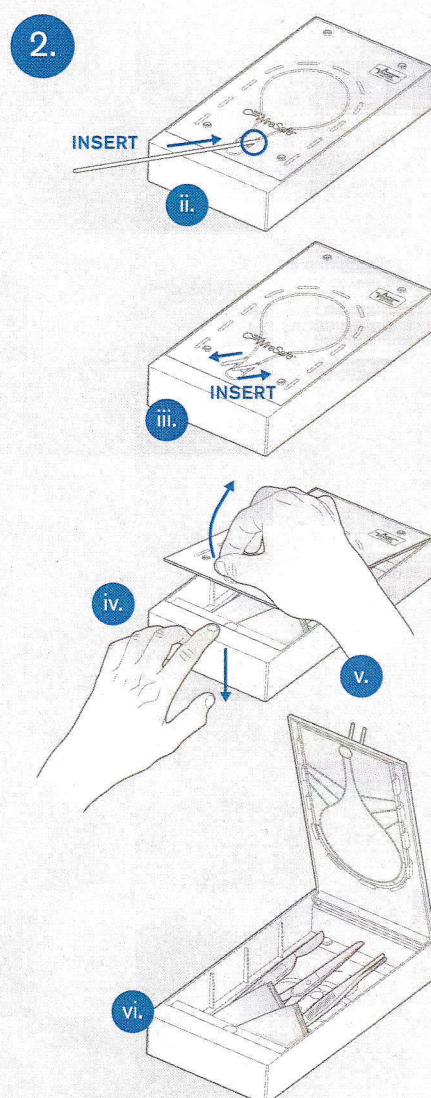
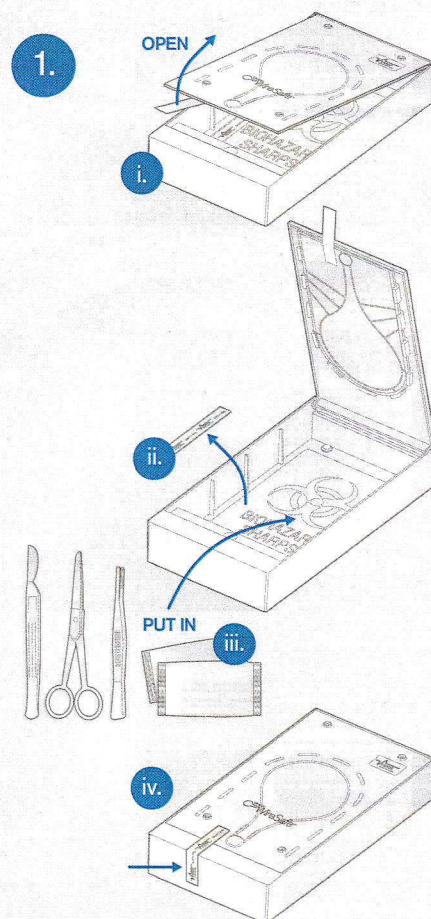
- i. To secure items into Venner WireSafe™ open the box using the plastic tab.
- ii. Collect the safety seal from inside Venner WireSafe™.
- iii. Place items into Venner WireSafe™.
- iv. Remove plastic tab, close the lid and secure in place with the safety seal.

Note: Once the plastic tab has been removed, a guidewire will be required to open the box.

2. Operating instructions

- i. Remove guidewire as per normal practice.
- ii. Insert guidewire into the light bulb shaped channel of Venner WireSafe™.
- iii. Push the guidewire through the groove until both ends of the guidewire are protruding outside of the groove.
- iv. Place fingers on the shelf of Venner WireSafe™.
- v. Hold the ends of the guidewire and lift upwards to open Venner WireSafe™.
- vi. Use contents as per normal hospital procedure.
- vii. Upon completion of procedure place sharps in Venner WireSafe™, close the lid leaving guidewire in place and dispose of Venner WireSafe™ into sharps bin.

Note: The guidewire and sharps are likely to be contaminated with blood and should be handled with care and disposed of as per usual hospital procedure.



3. Technical specifications

 Material

MABS PA-758

 Weight

160 grams (empty)

 Dimension

210 L x 106 W x 34.6 H (mm)

 Colour

Transparent

 Capacity

480cm³

Manufacturer information

Venner Medical Technologies

+44 (0) 1534 872555

info@venner.com

www.vennermedical.com/venner-wiresafe



Manufactured by:

Venner Medical (Singapore) Pte Ltd

35 Joo Koon Circle, Singapore 629110

1208 - A - July 2016

©2016 Venner Medical Technologies SA.

All rights reserved. Venner and WireSafe are trademarks of the Venner Group of Companies. This product is covered by granted and pending patents of the Venner Group of Companies in the US and other territories. For details visit:

www.vennermedical.com/intellectual-property