



TRANSMISSIONS



Mechanical Power Transmission



Agriculture



Automotive



Construction



Industrial



Motor Sport

WE LOVE OUR PRODUCTS.

“We are proud to be a European manufacturer; it is a privilege to supply our products to some of the world’s most prestigious original equipment manufacturers in the Agricultural, Automotive, Construction, Industrial and Motor Sport sectors”.

“Our distributor network is vital to the continued global growth of the DUNLOP brand and our valued distributor partners form the perfect link between manufacturer and end user”.

“Our commitment to our staff, our customers and the environment is of paramount importance to our company, we will continue to develop our organisational skills to further enhance our company’s potential, to engage in sustainable practices and anticipate the needs and expectations of our customers”.

“We love our products”.

Ray Mifsud, Managing Director.

A handwritten signature in black ink, appearing to read 'R. Mifsud'.



**Dunlop BTL Ltd - Ashford
European Distribution Centre**

MPT House, Brunswick Road
Cobbs Wood Industrial Estate
Ashford, Kent
TN23 1EL , United Kingdom

**Dunlop BTL Ltd - Consett
UK Manufacturing Centre**

Unit 46, Werdolh Way,
No 1 Industrial Estate,
Consett, County Durham
DH8 6SZ , United Kingdom



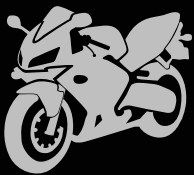
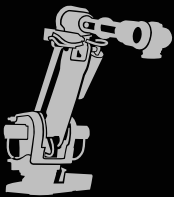
Contact us

-  +44 (0)1233 663340
-  +44 (0)1233 664440
-  sales@dunlopctl.com
-  www.dunlopctl.com



Manufacturing Facilities

- UNITED KINGDOM
- FRANCE
- GERMANY
- ITALY
- SPAIN
- POLAND
- CZECH REPUBLIC
- SLOVAKIA
- SERBIA
- CHINA
- USA





English



Español



Italiano



Deutsch



Français



Nederlands



Polskie

Introduction

4

Introducción • Introduzione • Einführung
Introduction • Inroductie • Wprowadzenie

V & Wedge Belts

7

V y correas trapeciales • V & cuneo cinture • V & Keilriemen
V & courroies de cale • V & wig riemen • V & Pasy klinowe

V-Pulleys

37

V-poleas • V-pulegge • V-Riemenscheiben
V - poulies • V - riemschijven • V- pasowe

Micro V-Belts

71

pequeñas cintas de V • Cinghie micro • Mikro-Keilriemen
Courroies micro V • Micro V-riemen • Mikro V Paski

Micro V-Pulleys

77

Correas de distribución • Cinghie dentate • -Zahnriemen
Poulies micro V • Micro V-riemschijven • Mikro V Koła pasowe

Timing Belts

84

Correas de distribución • Cinghie dentate • -Zahnriemen
Courroies de distribution • Tandriemen • Paski rozrządu

Timing Pulleys




117

Poleas de sincronismo • Pulegge dentate • Timing Riemenscheiben
Poulies de distribution • Timing katrollen • Koła pasowe rozrządu

Roller Chain

159

Cadena de rodillos • Catena a rulli • Rollenkette
Chaîne à rouleaux • Roller keten • Łańcuchy

	English
	Español
	Italiano
	Deutsch
	Français
	Nederlands
	Polskie

Sprockets & Plate wheels 170

Ruedas de piñones y plato • Ruote ruote dentate & piastra
 Roues à pignons & toile • Tandwielen & plaat wielen • Zębatki i koła płytowe

Couplings 210

Acoplamientos • Giunti • Kupplungen
 Accouplements • Koppelingen • Sprzęgła

Hubs & Adaptors 218

Hubs y adaptadores • Mozzi & adattatori • Naben & Adapter
 Moyeux & adaptateurs • Hubs & adapters • Piasty i adaptery

Taper Bushes 222

Casquillos cónicos • Bussole coniche • Taper-Buchsen
 Moyeux amovibles • Taper struiken • Krzewy Taper

Taper Bush Locking Devices 228

Dispositivos de cierre cónicos • Dispositivi di bloccaggio bussola conica
 Taper Bush Verriegelungen • Dispositifs de verrouillage conique bush
 Taper bush vergrendeling apparaten • krzak stożek urządzenia blokujące

Belt & Chain Tensioners 242

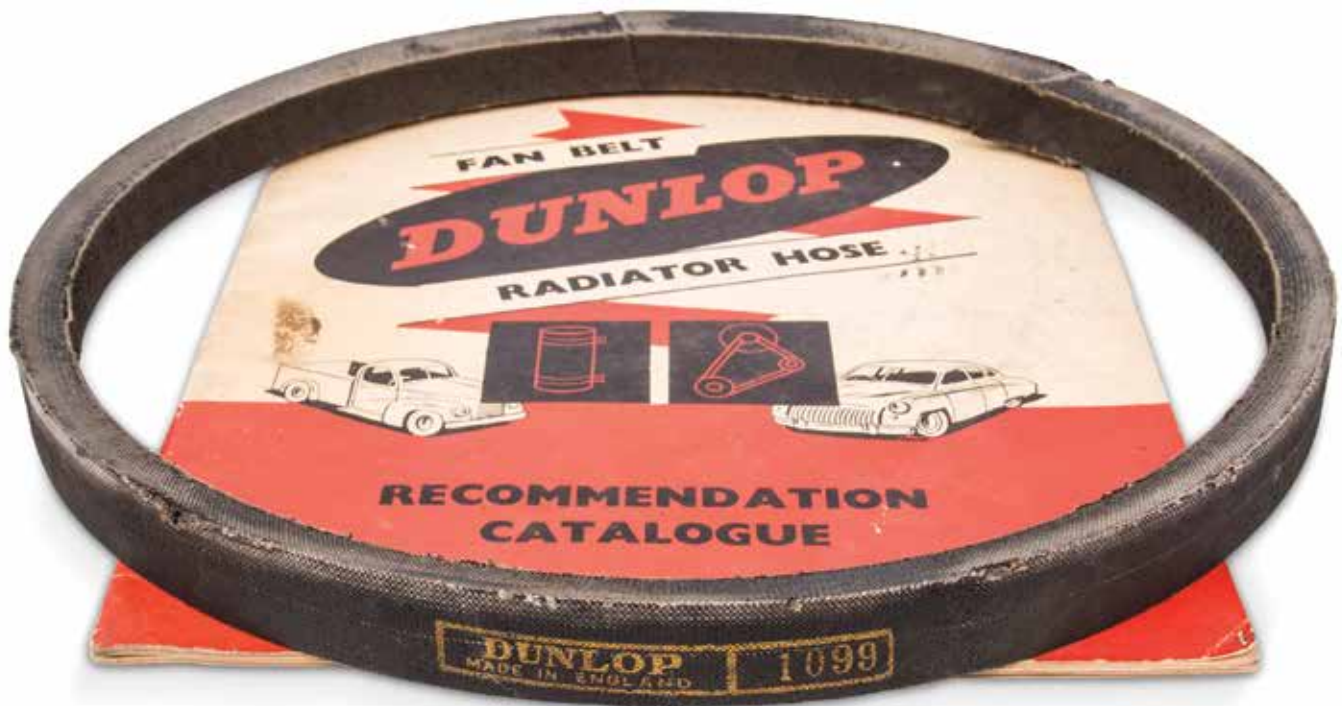
Tensores de correa y cadena • Cintura & catena tenditori
 Gürtel & Kette Spanner • Tendeurs de courroie & chaîne
 Riem & keten Dekzeilspanners • Taśmowe i łańcuchowe napinacze

Motor Bases 250

Bases de motor • Basi motore • Motorischen Grundlagen
 Bases de moteurs • Motor basen • podstawy silnikowe

Shaft Collars 251

Collares del eje • Collari per albero • Welle Halsbänder
 Colliers d'axe • Schacht kragen • kołnierze wałów



About us

From UK origins, more than 100 years ago, the **DUNLOP** brand name has established itself with an enviable reputation for high quality products.

This catalogue illustrates our standard range of products manufactured for commercial applications, 25% of our total production is for specialist items to suit individual customer requirements, so please do not hesitate to contact us to discuss your own application.

Dunlop products are now at the forefront of a highly competitive and specialist industry, covering a vast spectrum of applications such as Automotive, Agricultural, Construction, Industrial, Medical and Recreational.

Quality

The reputable standard of our products is the result of a consistently pursued quality policy influencing every area of our company. Not only from the arrival of raw materials through to the delivery of the finished products, but also from the receipt of your enquiry through to invoicing. Our staff are experts in their field and will assist in every way possible to meet your full requirements, deadlines and expectations.

Dunlop products are manufactured to internationally recognised standards and tolerances using top quality materials and workmanship.

UKAS approved manufacturer to ISO 9001:2008 and ISO 14001:2004.

Facility

Our European Distribution Centre is based in Ashford, Kent, UK, extends to over 66,000 square feet (6,131 square meters), comprising of Administration, Warehousing and Production facilities. Our stock range of products is now one of the largest found anywhere in Europe and covers more than 100 product lines and over 50,000 individual components.

Dunlop products are manufactured in the UK, throughout Europe and Asia.

Environment

As a leading manufacturer, Dunlop takes its environmental responsibility very seriously. Being a socially responsible manufacturer, promoting waste recycling, energy efficiency and supporting local businesses wherever possible to help reduce our impact on the environment.

Our factories aim to eliminate pollution releases and promote high standards of energy and waste management. Standard product ranges are designed for maximum energy efficiency. Our level of environmental commitment remains ahead of the industry trend. UKAS approved to ISO 14001:2004.

Customer Commitment

The entire Dunlop product range is backed with a comprehensive line of support services, including on-going product application research and development, full technical and customer service support, the latest in lean manufacturing techniques and scheduling, state of the art production machinery and quality control procedures, with an intense focus on the requirements and expectation of our customers.



“ We are proud to be a European manufacturer, it is a privilege to supply our products to many of the World’s most prestigious original equipment manufacturers as well as Europe’s leading after market distributors. ”

Ray Mifsud, Managing Director

“ Our commitment to our staff, our customers and the environment is of paramount importance to our company, we will continue to develop our organisational skills to further enhance our companies potential, to engage in sustainable practices and anticipate the needs and expectations of our customers. ”

Ray Mifsud, Managing Director



Manufacturing Facilities, Consett, Co. Durham UK

Unit 46, Werdolh Way,
No 1 Industrial Estate,
Consett, County Durham
DH8 6SZ , United Kingdom

European Distribution Centre, Ashford, Kent UK

MPT House, Brunswick Road
Cobbs Wood Industrial Estate
Ashford, Kent
TN23 1EL , United Kingdom




“We are proud to be a European manufacturer; it is a privilege to supply our products to some of the world’s most prestigious original equipment manufacturers in the Agricultural, Automotive, Construction, Industrial and Motor Sport sectors”.

“Our distributor network is vital to the continued global growth of the DUNLOP brand and our valued distributor partners form the perfect link between manufacturer and end user”.

“Our commitment to our staff, our customers and the environment is of paramount importance to our company, we will continue to develop our organisational skills to further enhance our company’s potential, to engage in sustainable practices and anticipate the needs and expectations of our customers”.

“At Dunlop BTL we love our products”.

Ray Mifsud, *Managing Director.*

	English
	Español
	Italiano
	Deutsch
	Français
	Nederlands
	Polskie

V & Wedge Belts Introduction	10
Introducción de correas V y la cuña • Introduzione V & cuneo cinture V & Keilriemen Einführung • Introduction de ceintures V & Wedge V & wig riemen introductie • V & Pasy klinowe Wprowadzenie	
V-Belts Wrapped	11
V-Belts envueltos • V-cinture avvolto • -Keilriemen eingewickelt Courroies trapézoïdales enveloppées • V-snaren verpakt • Pasy klinowe Owinięty	
V-Belts Raw Edge Cogged	17
Dentada del borde crudo V-Belts • Bordo grezzo cinghie dentate Raw Edge-Keilriemen gezahnt • Courroies trapézoïdales bord brut dentée V-snaren ruwe rand getand • Pasy klinowe Raw krawędzi zębate	
V-Belts Automotive	19
Correas automotrices • Cinghie Automotive • -Keilriemen Kfz Courroies automobiles • V-snaren Automotive • Pasy klinowe Automotive	
V-Belts Agricultural	21
Correas agrícolas • Cinghie trapezoidali agricoli • V-snaren landbouw Courroies agricoles • V-snaren landbouw • Pasy klinowe rolne	
V-Belts Variable Speed	24
Correas de velocidad Variable • Cinghie variatore di velocità Variable Drehzahl-Keilriemen • Courroies trapézoïdales à Vitesse Variable V-snaren variabele snelheid • Pasy klinowe bezstopniowe	
V-Belts & Wedge Belts Banded	26
Correas en V y correas trapeciales bandas • Cinghie trapezoidali & cuneo cinture fasciate • -Keilriemen & gebändert Keilriemen • Courroies trapézoïdales & Wedge ceintures bagués • V-snaren & wig riemen Banded • Pasy klinowe Pasy klinowe i Banded	
V-Belts Link Wrapped	30
Enlace V-Belts envuelto • Cinghie trapezoidali Link avvolto • Keilriemen Link gewickelt • Lien de courroies trapézoïdales enveloppée • Keilriemen eingewickelt Pasy klinowe link Owinięty	
Wedge Belts Wrapped	31
Correas trapeciales envuelto • Cinture di Cuneo avvolto • Keilriemen eingewickelt Courroies de cale enveloppées • Wig riemen verpakt • Pasy klinowe Owinięty	
Wedge Belts Raw Edge Cogged	36
Crudo borde Cogged cinturones de cuña • Bordo grezzo dentato cinture di Cuneo Keil Gürtel Schnittkante gezahnt • Courroies de cale bord brut dentée • Wig gordels ruwe rand getand • Pasy klinowe Raw krawędzi zębate	

V & WEDGE BELTS INTRODUCTION

DUNLOP V & WEDGE BELTS are manufactured in a polybutadiene compound. High variety of belt size availability permits the application of **DUNLOP V-BELTS** on all types of industrial equipments.

Applied technology allows good dimensional precision in the manufacture of **V-BELTS** to make them suitable for multiple transmissions. This dimensional stability continues also during belt use. V & Wedge Belts are developed with high resistant tensile elements, they are characterised by high performances, length stability during belt life, conductivity, oil and heat resistance. Wedge Belts are particularly suitable for centrifugal pumps, compressors, tool machines, generators, high power mills and stone mills and offer a good balance between price, performance and quality. They represent an affordable solution for transmission systems of all industrial sectors.

DUNLOP V & WEDGE BELTS offers the following features:

MECHANICAL FEATURES

- Smooth starting and running
- Wide range of driven speeds, using standard electric motors

- Low maintenance
- Highly efficient
- No need for lubrication
- Extremely wide horsepower ranges
- Dampen vibration between driver and driven pulleys
- Silent operations
- Long service life
- Easy installation
- Reduction in drive dimension

CHEMICAL FEATURES

- Working temperature range -30°C to $+80^{\circ}\text{C}$
- Resistance to oil and heat
- Antistatic properties to ISO 1813

Special construction are available on request.



AGRICULTURAL V-BELTS

DUNLOP Agricultural V-Belts have been created for drives with small pulley diameters and high temperature peaks, combined with a high grade of moisture and humidity. They withstand the harshest environmental requirements such as oil and grease contaminated drives of transmissions where grits may interfere between pulleys and belt. Thanks to its characteristics Agricultural V-Belts perfectly match the requirements of clutching drives as the aramid cords protect the belt against shock loads while maintaining its length constant.

The rubber compound is specially designed for long lasting power transmissions working under hardest conditions. Belt cover uses latest technology in materials for a high resistance in clutching transmissions. Agricultural V-Belts are being used successfully in applications such as: Lawnmowers - Snow blowers - Garden equipment - Garden tractors, etc.



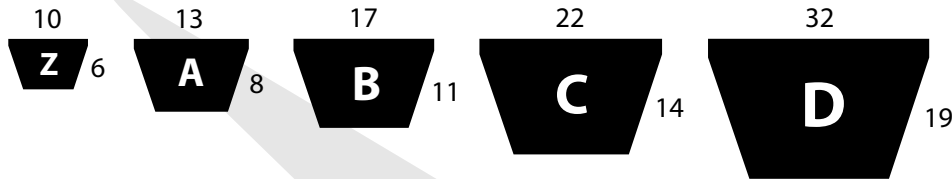
V-BELTS WRAPPED

Description

Traditional V-Belts are manufactured with cross-sections Z, A, B, C & D sections with a range of over 500 lengths currently available.

V-Belts for industrial use are designated both to RMA standard e.g. A52, where the letter designates its cross-section and the number corresponds to a nominal internal length in inches and to DIN standard e.g. 13x1320Li, where the first number denotes the width in mm, and the second number is the internal length in mm.

Dunlop V-belts have specially treated jackets to give superior anti-static, heat and oil-resistant properties and are static conductive to ISO1813.



Z - SECTION

Part No.	Outside Length (mm)	Pitch Length (mm)	Inside Length (mm)	Inside Length (in)
Z15	419	403	381	15
Z16	444	428	406	16
Z16-1/2	457	441	419	16.5
Z17	470	454	432	17
Z18	495	479	457	18
Z19	521	505	483	19
Z19-1/2	533	517	495	19.5
Z20	546	530	508	20
Z20-1/2	559	543	521	20.5
Z21	571	555	533	21
Z21-1/4	578	562	540	21.25
Z21-1/2	584	568	546	21.5
Z21-3/4	590	574	552	21.75
Z22	597	581	559	22
Z22-1/4	603	587	565	22.25
Z22-1/2	610	594	572	22.5
Z23	622	606	584	23
Z23-1/2	635	619	597	23.5
Z23-3/4	641	625	603	23.75
Z24	648	632	610	24
Z24-1/2	660	644	622	24.5
Z24-3/4	667	651	629	24.75
Z25	673	657	635	25
Z25-1/2	686	670	648	25.5
Z26	698	682	660	26
Z26-1/2	711	695	673	26.5
Z27	724	708	686	27
Z27-1/2	737	721	699	27.5
Z28	749	733	711	28

Part No	Outside Length (mm)	Pitch Length (mm)	Inside Length (mm)	Inside Length (in)
Z28-1/2	762	746	724	28.5
Z29	775	759	737	29
Z29-1/2	787	771	749	29.5
Z30	800	784	762	30
Z30-1/2	813	797	775	30.5
Z30-3/4	819	803	781	30.75
Z31	825	809	787	31
Z31-1/2	838	822	800	31.5
Z32	851	835	813	32
Z32-1/2	864	848	826	32.5
Z33	876	860	838	33
Z33-1/2	889	873	851	33.5
Z34	902	886	864	34
Z34-1/4	908	892	870	34.25
Z34-1/2	914	898	876	34.5
Z35	927	911	889	35
Z35-1/2	940	924	902	35.5
Z36	952	936	914	36
Z36-1/2	965	949	927	36.5
Z36-3/4	971	955	933	36.75
Z37	978	962	940	37
Z37-1/2	991	975	953	37.5
Z38	1003	987	965	38
Z38-1/4	1010	994	972	38.25
Z38-1/2	1016	1000	978	38.5
Z39	1029	1013	991	39
Z39-1/2	1041	1025	1003	39.5
Z40	1054	1038	1016	40
Z40-1/2	1067	1051	1029	40.5

Part No	Outside Length (mm)	Pitch Length (mm)	Inside Length (mm)	Inside Length (in)
Z41	1079	1063	1041	41
Z41-1/2	1092	1076	1054	41.5
Z41-3/4	1098	1082	1060	41.75
Z42	1105	1089	1067	42
Z42-1/2	1118	1102	1080	42.5
Z43	1130	1114	1092	43
Z43-1/2	1143	1127	1105	43.5
Z44	1156	1140	1118	44
Z45	1181	1165	1143	45
Z45-1/2	1194	1178	1156	45.5
Z46	1206	1190	1168	46
Z46-1/2	1219	1203	1181	46.5
Z47	1232	1216	1194	47
Z47-3/4	1251	1235	1213	47.75
Z48	1257	1241	1219	48
Z49	1283	1267	1245	49
Z50	1308	1292	1270	50
Z50-1/2	1321	1305	1283	50.5
Z51	1333	1317	1295	51
Z52	1359	1343	1321	52
Z53	1384	1368	1346	53
Z54	1410	1394	1372	54
Z55	1435	1419	1397	55
Z56	1460	1444	1422	56
Z57	1486	1470	1448	57
Z58	1511	1495	1473	58
Z59	1537	1521	1499	59
Z59-1/2	1549	1533	1511	59.5
Z60	1562	1546	1524	60

Z - SECTION continued

Part No	Outside Length (mm)	Pitch Length (mm)	Inside Length (mm)	Inside Length (in)
Z61	1587	1571	1549	61
Z62	1613	1597	1575	62
Z63	1638	1622	1600	63
Z64	1664	1648	1626	64
Z65	1689	1673	1651	65
Z66	1714	1698	1676	66
Z67	1740	1724	1702	67
Z68	1765	1749	1727	68
Z68-1/2	1778	1762	1740	68.5

Part No	Outside Length (mm)	Pitch Length (mm)	Inside Length (mm)	Inside Length (in)
Z69	1791	1775	1753	69
Z70	1816	1800	1778	70
Z71	1841	1825	1803	71
Z73	1892	1876	1854	73
Z75	1943	1927	1905	75
Z77	1994	1978	1956	77
Z79	2045	2029	2007	79
Z80	2070	2054	2032	80
Z81	2095	2079	2057	81

Part No	Outside Length (mm)	Pitch Length (mm)	Inside Length (mm)	Inside Length (in)
Z82	2121	2105	2083	82
Z83	2146	2130	2108	83
Z87	2248	2232	2210	87
Z88	2273	2257	2235	88
Z93	2400	2384	2362	93
Z98	2527	2511	2489	98

A - SECTION

Part No	Outside Length (mm)	Pitch Length (mm)	Inside Length (mm)	Inside Length (in)
A15	431	411	381	15
A17-1/2	495	475	445	17.5
A18	507	487	457	18
A18-3/4	526	506	476	18.75
A19	533	513	483	19
A20	558	538	508	20
A21	583	563	533	21
A21-3/4	602	582	552	21.75
A22	609	589	559	22
A23	634	614	584	23
A23-1/2	647	627	597	23.5
A24	660	640	610	24
A24-1/2	672	652	622	24.5
A24-3/4	679	659	629	24.75
A25	685	665	635	25
A25-1/2	698	678	648	25.5
A26	710	690	660	26
A26-1/2	723	703	673	26.5
A27	736	716	686	27
A27-1/2	749	729	699	27.5
A28	761	741	711	28
A28-1/2	774	754	724	28.5
A29	787	767	737	29
A29-1/2	799	779	749	29.5
A30	812	792	762	30
A30-1/2	825	805	775	30.5
A31	837	817	787	31
A31-1/2	850	830	800	31.5
A32	863	843	813	32
A32-1/2	876	856	826	32.5
A33	888	868	838	33
A33-1/4	895	875	845	33.25

Part No	Outside Length (mm)	Pitch Length (mm)	Inside Length (mm)	Inside Length (in)
A33-1/2	901	881	851	33.5
A33-3/4	907	887	857	33.75
A34	914	894	864	34
A34-1/2	926	906	876	34.5
A35	939	919	889	35
A35-1/2	952	932	902	35.5
A36	964	944	914	36
A36-1/2	977	957	927	36.5
A37-1/2	1003	983	953	37.5
A37-1/4	996	976	946	37.25
A38	1015	995	965	38
A38-1/2	1028	1008	978	38.5
A39	1041	1021	991	39
A39-1/2	1053	1033	1003	39.5
A40	1066	1046	1016	40
A40-1/2	1079	1059	1029	40.5
A41	1091	1071	1041	41
A41-1/2	1104	1084	1054	41.5
A41-3/4	1110	1090	1060	41.75
A42	1117	1097	1067	42
A42-1/2	1130	1110	1080	42.5
A43	1142	1122	1092	43
A43-1/2	1155	1135	1105	43.5
A43-3/4	1161	1141	1111	43.75
A44	1168	1148	1118	44
A44-1/2	1180	1160	1130	44.5
A45	1193	1173	1143	45
A45-1/2	1206	1186	1156	45.5
A46	1218	1198	1168	46
A46-1/2	1231	1211	1181	46.5
A47	1244	1224	1194	47
A48	1269	1249	1219	48

Part No	Outside Length (mm)	Pitch Length (mm)	Inside Length (mm)	Inside Length (in)
A48-1/4	1276	1256	1226	48.25
A50	1320	1300	1270	50
A51	1345	1325	1295	51
A51-1/2	1358	1338	1308	51.5
A52	1371	1351	1321	52
A52-1/2	1384	1364	1334	52.5
A53	1396	1376	1346	53
A53-1/4	1403	1383	1353	53.25
A54	1422	1402	1372	54
A55	1447	1427	1397	55
A56	1472	1452	1422	56
A57	1498	1478	1448	57
A58	1523	1503	1473	58
A59	1549	1529	1499	59
A60	1574	1554	1524	60
A61	1599	1579	1549	61
A62	1625	1605	1575	62
A63	1650	1630	1600	63
A64	1676	1656	1626	64
A65	1701	1681	1651	65
A66	1726	1706	1676	66
A67	1752	1732	1702	67
A68	1777	1757	1727	68
A69	1803	1783	1753	69
A70	1828	1808	1778	70
A71	1853	1833	1803	71
A72	1879	1859	1829	72
A73	1904	1884	1854	73
A74	1930	1910	1880	74
A75	1955	1935	1905	75
A76	1980	1960	1930	76
A77	2006	1986	1956	77

A - SECTION continued

Part No	Outside Length (mm)	Pitch Length (mm)	Inside Length (mm)	Inside Length (in)
A78	2031	2011	1981	78
A79	2057	2037	2007	79
A80	2082	2062	2032	80
A81	2107	2087	2057	81
A82	2133	2113	2083	82
A83	2158	2138	2108	83
A83-1/2	2171	2151	2121	83.5
A84	2184	2164	2134	84
A85	2209	2189	2159	85
A86	2234	2214	2184	86
A87	2260	2240	2210	87
A88	2285	2265	2235	88
A89	2311	2291	2261	89
A90	2336	2316	2286	90
A91	2361	2341	2311	91
A92	2387	2367	2337	92
A93	2412	2392	2362	93
A94	2438	2418	2388	94
A95	2463	2443	2413	95
A96	2488	2468	2438	96
A97	2514	2494	2464	97
A97-1/2	2527	2507	2477	97.5
A98	2539	2519	2489	98
A99	2565	2545	2515	99

Part No	Outside Length (mm)	Pitch Length (mm)	Inside Length (mm)	Inside Length (in)
A100	2590	2570	2540	100
A102	2641	2621	2591	102
A103	2666	2646	2616	103
A104	2692	2672	2642	104
A105	2717	2697	2667	105
A106	2742	2722	2692	106
A107	2768	2748	2718	107
A108	2793	2773	2743	108
A110	2844	2824	2794	110
A112	2895	2875	2845	112
A113	2920	2900	2870	113
A114	2946	2926	2896	114
A115	2971	2951	2921	115
A116	2996	2976	2946	116
A117	3022	3002	2972	117
A118	3047	3027	2997	118
A120	3098	3078	3048	120
A124	3200	3180	3150	124
A128	3301	3281	3251	128
A130	3352	3332	3302	130
A132	3403	3383	3353	132
A134	3454	3434	3404	134
A136	3504	3484	3454	136
A138	3555	3535	3505	138

Part No	Outside Length (mm)	Pitch Length (mm)	Inside Length (mm)	Inside Length (in)
A140	3606	3586	3556	140
A144	3708	3688	3658	144
A147	3784	3764	3734	147
A148	3809	3789	3759	148
A150	3860	3840	3810	150
A154	3962	3942	3912	154
A155	3987	3967	3937	155
A158	4063	4043	4013	158
A160	4114	4094	4064	160
A162	4165	4145	4115	162
A167	4292	4272	4242	167
A173	4444	4424	4394	173
A177	4546	4526	4496	177
A180	4622	4602	4572	180
A187	4800	4780	4750	187
A197	5054	5034	5004	197
A210	5384	5364	5334	210
A217	5562	5542	5512	217

B - SECTION

Part No	Outside Length (mm)	Pitch Length (mm)	Inside Length (mm)	Inside Length (in)
B23	654	624	584	23
B24	680	650	610	24
B25	705	675	635	25
B26	730	700	660	26
B27	756	726	686	27
B28	781	751	711	28
B29	807	777	737	29
B30	832	802	762	30
B31	857	827	787	31
B32	883	853	813	32
B32-1/4	889	859	819	32.25
B32-1/2	896	866	826	32.5
B33	908	878	838	33

Part No	Outside Length (mm)	Pitch Length (mm)	Inside Length (mm)	Inside Length (in)
B33-1/2	921	891	851	33.5
B34	934	904	864	34
B34-1/2	946	916	876	34.5
B35	959	929	889	35
B35-1/2	972	942	902	35.5
B35-3/4	978	948	908	35.75
B36	984	954	914	36
B36-1/2	997	967	927	36.5
B36-3/4	1003	973	933	36.75
B37	1010	980	940	37
B37-1/2	1023	993	953	37.5
B38	1035	1005	965	38
B38-1/2	1048	1018	978	38.5

Part No	Outside Length (mm)	Pitch Length (mm)	Inside Length (mm)	Inside Length (in)
B39	1061	1031	991	39
B39-1/2	1073	1043	1003	39.5
B40	1086	1056	1016	40
B40-1/2	1099	1069	1029	40.5
B41	1111	1081	1041	41
B41-1/2	1124	1094	1054	41.5
B41-3/4	1130	1100	1060	41.75
B42	1137	1107	1067	42
B42-1/2	1150	1120	1080	42.5
B43	1162	1132	1092	43
B43-1/2	1175	1145	1105	43.5
B44	1188	1158	1118	44
B44-1/2	1200	1170	1130	44.5

B - SECTION continued

Part No	Outside Length (mm)	Pitch Length (mm)	Inside Length (mm)	Inside Length (in)
B44-1/4	1194	1164	1124	44.25
B45	1213	1183	1143	45
B46	1238	1208	1168	46
B46-1/2	1251	1221	1181	46.5
B46-3/4	1257	1227	1187	46.75
B47	1264	1234	1194	47
B47-1/2	1277	1247	1207	47.5
B47-1/4	1270	1240	1200	47.25
B48	1289	1259	1219	48
B48-1/2	1302	1272	1232	48.5
B49	1315	1285	1245	49
B49-1/2	1327	1297	1257	49.5
B50	1340	1310	1270	50
B50-1/2	1353	1323	1283	50.5
B51	1365	1335	1295	51
B52	1391	1361	1321	52
B52-1/2	1404	1374	1334	52.5
B53	1416	1386	1346	53
B53-1/2	1429	1399	1359	53.5
B54	1442	1412	1372	54
B55	1467	1437	1397	55
B55-1/2	1480	1450	1410	55.5
B56	1492	1462	1422	56
B56-1/2	1505	1475	1435	56.5
B57	1518	1488	1448	57
B58	1543	1513	1473	58
B59	1569	1539	1499	59
B60	1594	1564	1524	60
B61	1619	1589	1549	61
B61-1/2	1632	1602	1562	61.5
B62	1645	1615	1575	62
B63	1670	1640	1600	63
B64	1696	1666	1626	64
B64-1/2	1708	1678	1638	64.5
B65	1721	1691	1651	65
B66	1746	1716	1676	66
B66-1/2	1759	1729	1689	66.5
B66-1/4	1753	1723	1683	66.25
B67-1/4	1778	1748	1708	67.25
B67	1772	1742	1702	67
B68	1797	1767	1727	68
B69	1823	1793	1753	69
B69-1/2	1835	1805	1765	69.5
B70	1848	1818	1778	70
B71	1873	1843	1803	71
B72	1899	1869	1829	72

Part No	Outside Length (mm)	Pitch Length (mm)	Inside Length (mm)	Inside Length (in)
B73	1924	1894	1854	73
B74	1950	1920	1880	74
B75	1975	1945	1905	75
B76	2000	1970	1930	76
B77	2026	1996	1956	77
B78	2051	2021	1981	78
B78-1/2	2064	2034	1994	78.5
B79	2077	2047	2007	79
B79-1/2	2089	2059	2019	79.5
B80	2102	2072	2032	80
B80-3/4	2121	2091	2051	80.75
B81	2127	2097	2057	81
B82	2153	2123	2083	82
B82-1/2	2166	2136	2096	82.5
B83	2178	2148	2108	83
B83-1/2	2191	2161	2121	83.5
B84	2204	2174	2134	84
B84-1/2	2216	2186	2146	84.5
B85	2229	2199	2159	85
B86	2254	2224	2184	86
B86-1/2	2267	2237	2197	86.5
B87	2280	2250	2210	87
B88	2305	2275	2235	88
B88-1/2	2318	2288	2248	88.5
B89	2331	2301	2261	89
B90	2356	2326	2286	90
B90-1/2	2369	2339	2299	90.5
B91	2381	2351	2311	91
B91-1/2	2394	2364	2324	91.5
B92	2407	2377	2337	92
B93	2432	2402	2362	93
B94	2458	2428	2388	94
B95	2483	2453	2413	95
B96	2508	2478	2438	96
B96-1/2	2521	2491	2451	96.5
B97	2534	2504	2464	97
B97-1/2	2547	2517	2477	97.5
B98-1/2	2572	2542	2502	98.5
B98	2559	2529	2489	98
B99	2585	2555	2515	99
B100	2610	2580	2540	100
B101	2635	2605	2565	101
B102	2661	2631	2591	102
B103	2686	2656	2616	103
B104	2712	2682	2642	104
B105	2737	2707	2667	105

Part No	Outside Length (mm)	Pitch Length (mm)	Inside Length (mm)	Inside Length (in)
B106	2762	2732	2692	106
B107	2788	2758	2718	107
B108	2813	2783	2743	108
B110	2864	2834	2794	110
B111	2889	2859	2819	111
B112	2915	2885	2845	112
B112-1/2	2928	2898	2858	112.5
B114	2966	2936	2896	114
B115	2991	2961	2921	115
B116	3016	2986	2946	116
B118	3067	3037	2997	118
B120	3118	3088	3048	120
B122	3169	3139	3099	122
B124	3220	3190	3150	124
B125	3245	3215	3175	125
B126	3270	3240	3200	126
B127	3296	3266	3226	127
B128	3321	3291	3251	128
B130	3372	3342	3302	130
B131	3397	3367	3327	131
B132	3423	3393	3353	132
B133	3448	3418	3378	133
B134	3474	3444	3404	134
B135	3499	3469	3429	135
B136	3524	3494	3454	136
B138	3575	3545	3505	138
B140	3626	3596	3556	140
B144	3728	3698	3658	144
B146	3778	3748	3708	146
B147	3804	3774	3734	147
B148	3829	3799	3759	148
B150	3880	3850	3810	150
B151	3905	3875	3835	151
B152	3931	3901	3861	152
B154	3982	3952	3912	154
B155	4007	3977	3937	155
B156	4032	4002	3962	156
B157	4058	4028	3988	157
B158	4083	4053	4013	158
B161	4159	4129	4089	161
B162	4185	4155	4115	162
B163	4210	4180	4140	163
B164	4236	4206	4166	164
B165	4261	4231	4191	165
B167	4312	4282	4242	167
B168	4337	4307	4267	168

B - SECTION continued

Part No	Outside Length (mm)	Pitch Length (mm)	Inside Length (mm)	Inside Length (in)
B169	4363	4333	4293	169
B172	4439	4409	4369	172
B173	4464	4434	4394	173
B175	4515	4485	4445	175
B177	4566	4536	4496	177
B180	4642	4612	4572	180
B185	4769	4739	4699	185
B186	4794	4764	4724	186
B187	4820	4790	4750	187
B188	4845	4815	4775	188
B192	4947	4917	4877	192
B195	5023	4993	4953	195
B197	5074	5044	5004	197
B204	5252	5222	5182	204
B208	5353	5323	5283	208
B210	5404	5374	5334	210
B217	5582	5552	5512	217
B218	5607	5577	5537	218
B220	5658	5628	5588	220

Part No	Outside Length (mm)	Pitch Length (mm)	Inside Length (mm)	Inside Length (in)
B221	5683	5653	5613	221
B223	5734	5704	5664	223
B224	5760	5730	5690	224
B224	5760	5730	5690	224
B225	5785	5755	5715	225
B228	5861	5831	5791	228
B229	5887	5857	5817	229
B237	6090	6060	6020	237
B238	6115	6085	6045	238
B240	6166	6136	6096	240
B248	6369	6339	6299	248
B249	6395	6365	6325	249
B253	6496	6466	6426	253
B255	6547	6517	6477	255
B256	6572	6542	6502	256
B259	6649	6619	6579	259
B265	6801	6771	6731	265
B269	6903	6873	6833	269
B270	6928	6898	6858	270

Part No	Outside Length (mm)	Pitch Length (mm)	Inside Length (mm)	Inside Length (in)
B274	7030	7000	6960	274
B276	7080	7050	7010	276
B280	7182	7152	7112	280
B285	7309	7279	7239	285
B300	7690	7660	7620	300
B315	8071	8041	8001	315
B330	8452	8422	8382	330
B345	8833	8803	8763	345
B360	9214	9184	9144	360
B361	9239	9209	9169	361
B364	9316	9286	9246	364
B366	9366	9336	9296	366
B394	10078	10048	10008	394
B433	11068	11038	10998	433
B472	12059	12029	11989	472
B512	13075	13045	13005	512
B551	14065	14035	13995	551
B553	14116	14086	14046	553
B669	17063	17033	16993	669

C - SECTION

Part No	Outside Length (mm)	Pitch Length (mm)	Inside Length (mm)	Inside Length (in)
C33-3/4	945	915	857	33.75
C37-1/2	1041	1011	953	37.5
C38	1053	1023	965	38
C39-3/4	1098	1068	1010	39.75
C40	1104	1074	1016	40
C41	1129	1099	1041	41
C42	1155	1125	1067	42
C43	1180	1150	1092	43
C44	1206	1176	1118	44
C45	1231	1201	1143	45
C46	1256	1226	1168	46
C47	1282	1252	1194	47
C48	1307	1277	1219	48
C49	1333	1303	1245	49
C50	1358	1328	1270	50
C51	1383	1353	1295	51
C52	1409	1379	1321	52
C53	1434	1404	1346	53
C54	1460	1430	1372	54
C55	1485	1455	1397	55
C56	1510	1480	1422	56
C57	1536	1506	1448	57

Part No	Outside Length (mm)	Pitch Length (mm)	Inside Length (mm)	Inside Length (in)
C58	1561	1531	1473	58
C59	1587	1557	1499	59
C60	1612	1582	1524	60
C61	1637	1607	1549	61
C62	1663	1633	1575	62
C62-1/4	1669	1639	1581	62.25
C63	1688	1658	1600	63
C64	1714	1684	1626	64
C65	1739	1709	1651	65
C66	1764	1734	1676	66
C67	1790	1760	1702	67
C68	1815	1785	1727	68
C69	1841	1811	1753	69
C70	1866	1836	1778	70
C71	1891	1861	1803	71
C72	1917	1887	1829	72
C73	1942	1912	1854	73
C74	1968	1938	1880	74
C75	1993	1963	1905	75
C76	2018	1988	1930	76
C77	2044	2014	1956	77
C78	2069	2039	1981	78

Part No	Outside Length (mm)	Pitch Length (mm)	Inside Length (mm)	Inside Length (in)
C79	2095	2065	2007	79
C80	2120	2090	2032	80
C81	2145	2115	2057	81
C82	2171	2141	2083	82
C83	2196	2166	2108	83
C84	2222	2192	2134	84
C85	2247	2217	2159	85
C86	2272	2242	2184	86
C87	2298	2268	2210	87
C87-1/2	2311	2281	2223	87.5
C88	2323	2293	2235	88
C89	2349	2319	2261	89
C90	2374	2344	2286	90
C92	2425	2395	2337	92
C93	2450	2420	2362	93
C94	2476	2446	2388	94
C95	2501	2471	2413	95
C96	2526	2496	2438	96
C97	2552	2522	2464	97
C97-1/2	2565	2535	2477	97.5
C98	2577	2547	2489	98
C99	2603	2573	2515	99

C - SECTION continued

Part No	Outside Length (mm)	Pitch Length (mm)	Inside Length (mm)	Inside Length (in)	Part No	Outside Length (mm)	Pitch Length (mm)	Inside Length (mm)	Inside Length (in)	Part No	Outside Length (mm)	Pitch Length (mm)	Inside Length (mm)	Inside Length (in)
C100	2628	2598	2540	100	C146	3796	3766	3708	146	C210	5422	5392	5334	210
C101	2653	2623	2565	101	C147	3822	3792	3734	147	C216	5574	5544	5486	216
C102	2679	2649	2591	102	C148	3847	3817	3759	148	C220	5676	5646	5588	220
C104	2730	2700	2642	104	C150	3898	3868	3810	150	C222	5727	5697	5639	222
C105	2755	2725	2667	105	C152	3949	3919	3861	152	C225	5803	5773	5715	225
C106	2780	2750	2692	106	C153	3974	3944	3886	153	C228	5879	5849	5791	228
C108	2831	2801	2743	108	C154	4000	3970	3912	154	C236	6082	6052	5994	236
C110	2882	2852	2794	110	C156	4050	4020	3962	156	C238	6133	6103	6045	238
C111	2907	2877	2819	111	C158	4101	4071	4013	158	C240	6184	6154	6096	240
C112	2933	2903	2845	112	C160	4152	4122	4064	160	C248	6387	6357	6299	248
C112-1/2	2946	2916	2858	112.5	C161-1/2	4190	4160	4102	161.5	C250	6438	6408	6350	250
C114	2984	2954	2896	114	C162	4203	4173	4115	162	C255	6565	6535	6477	255
C115	3009	2979	2921	115	C165	4279	4249	4191	165	C265	6819	6789	6731	265
C116	3034	3004	2946	116	C166	4304	4274	4216	166	C270	6946	6916	6858	270
C117	3060	3030	2972	117	C167	4330	4300	4242	167	C276	7098	7068	7010	276
C118	3085	3055	2997	118	C168	4355	4325	4267	168	C280	7200	7170	7112	280
C119	3111	3081	3023	119	C173	4482	4452	4394	173	C285	7327	7297	7239	285
C120	3136	3106	3048	120	C175	4533	4503	4445	175	C297	7632	7602	7544	297
C124	3238	3208	3150	124	C177	4584	4554	4496	177	C300	7708	7678	7620	300
C126	3288	3258	3200	126	C179	4635	4605	4547	179	C303	7784	7754	7696	303
C128	3339	3309	3251	128	C180	4660	4630	4572	180	C314	8064	8034	7976	314
C130	3390	3360	3302	130	C185	4787	4757	4699	185	C316	8114	8084	8026	316
C132	3441	3411	3353	132	C186	4812	4782	4724	186	C330	8470	8440	8382	330
C134	3492	3462	3404	134	C187	4838	4808	4750	187	C336	8622	8592	8534	336
C135	3517	3487	3429	135	C190	4914	4884	4826	190	C345	8851	8821	8763	345
C136	3542	3512	3454	136	C195	5041	5011	4953	195	C360	9232	9202	9144	360
C138	3593	3563	3505	138	C197	5092	5062	5004	197	C394	10096	10066	10008	394
C140	3644	3614	3556	140	C200	5168	5138	5080	200	C420	10756	10726	10668	420
C142	3695	3665	3607	142	C204	5270	5240	5182	204	C424	10858	10828	10770	424
C144	3746	3716	3658	144	C208	5371	5341	5283	208					

D - SECTION

Part No	Outside Length (mm)	Pitch Length (mm)	Inside Length (mm)	Inside Length (in)	Part No	Outside Length (mm)	Pitch Length (mm)	Inside Length (mm)	Inside Length (in)	Part No	Outside Length (mm)	Pitch Length (mm)	Inside Length (mm)	Inside Length (in)
D98	2616	2565	2489	98	D150	3937	3886	3810	150	D197	5131	5080	5004	197
D104	2769	2718	2642	104	D152	3988	3937	3861	152	D204	5309	5258	5182	204
D110	2921	2870	2794	110	D154	4039	3988	3912	154	D205	5334	5283	5207	205
D118	3124	3073	2997	118	D158	4140	4089	4013	158	D207	5385	5334	5258	207
D120	3175	3124	3048	120	D162	4242	4191	4115	162	D210	5461	5410	5334	210
D124	3277	3226	3150	124	D170	4445	4394	4318	170	D223	5791	5740	5664	223
D128	3378	3327	3251	128	D173	4521	4470	4394	173	D225	5842	5791	5715	225
D136	3581	3530	3454	136	D177	4623	4572	4496	177	D236	6121	6070	5994	236
D137	3607	3556	3480	137	D180	4699	4648	4572	180	D238	6172	6121	6045	238
D140	3683	3632	3556	140	D187	4877	4826	4750	187	D240	6223	6172	6096	240
D144	3785	3734	3658	144	D195	5080	5029	4953	195	D248	6426	6375	6299	248

Longer belt lengths are available



V-BELTS RAW EDGE COGGED

Description

Energy saving, higher performance thanks to their flexibility. Dunlop raw edged cogged belts with a higher performance level, have a longer service life. Special designs with raw edges that allow higher slipping resistance even when they are working with low installation tensions.

Maximum resistance to the action of heat and oils. High antistatic properties conforming to ISO1813.

Part numbers are identified by 2 letters (e.g. AX) the belts cross section and a 2 or 3 digit number (e.g. 50) which represents the belts length in inches. AX50 etc.



AX - SECTION

Part No	Outside Length (mm)	Pitch Length (mm)	Inside Length (mm)	Inside Length (in)
AX19	533	513	483	19
AX22	609	589	559	22
AX23	634	614	584	23
AX24	660	640	610	24
AX25	685	665	635	25
AX26	710	690	660	26
AX27	736	716	686	27
AX28	761	741	711	28
AX29	787	767	737	29
AX30	812	792	762	30
AX31	837	817	787	31
AX32	863	843	813	32
AX33	888	868	838	33
AX34	914	894	864	34
AX35	939	919	889	35
AX36	964	944	914	36
AX37	990	970	940	37
AX38	1015	995	965	38
AX39	1041	1021	991	39
AX40	1066	1046	1016	40
AX41	1091	1071	1041	41
AX42	1117	1097	1067	42
AX43	1142	1122	1092	43
AX44	1168	1148	1118	44
AX45	1193	1173	1143	45
AX46	1218	1198	1168	46
AX47	1244	1224	1194	47
AX48	1269	1249	1219	48
AX49	1295	1275	1245	49
AX50	1320	1300	1270	50

Part No	Outside Length (mm)	Pitch Length (mm)	Inside Length (mm)	Inside Length (in)
AX51	1345	1325	1295	51
AX52	1371	1351	1321	52
AX53	1396	1376	1346	53
AX54	1422	1402	1372	54
AX55	1447	1427	1397	55
AX56	1472	1452	1422	56
AX57	1498	1478	1448	57
AX58	1523	1503	1473	58
AX59	1549	1529	1499	59
AX60	1574	1554	1524	60
AX61	1599	1579	1549	61
AX62	1625	1605	1575	62
AX63	1650	1630	1600	63
AX64	1676	1656	1626	64
AX65	1701	1681	1651	65
AX66	1726	1706	1676	66
AX67	1752	1732	1702	67
AX68	1777	1757	1727	68
AX69	1803	1783	1753	69
AX70	1828	1808	1778	70
AX71	1853	1833	1803	71
AX72	1879	1859	1829	72
AX73	1904	1884	1854	73
AX74	1930	1910	1880	74
AX75	1955	1935	1905	75
AX76	1980	1960	1930	76
AX77	2006	1986	1956	77
AX78	2031	2011	1981	78
AX79	2057	2037	2007	79
AX80	2082	2062	2032	80

Part No	Outside Length (mm)	Pitch Length (mm)	Inside Length (mm)	Inside Length (in)
AX81	2107	2087	2057	81
AX82	2133	2113	2083	82
AX83	2158	2138	2108	83
AX84	2184	2164	2134	84
AX85	2209	2189	2159	85
AX86	2234	2214	2184	86
AX87	2260	2240	2210	87
AX88	2285	2265	2235	88
AX89	2311	2291	2261	89
AX90	2336	2316	2286	90
AX91	2361	2341	2311	91
AX92	2387	2367	2337	92
AX93	2412	2392	2362	93
AX94	2438	2418	2388	94
AX95	2463	2443	2413	95
AX96	2488	2468	2438	96
AX97	2514	2494	2464	97
AX98	2539	2519	2489	98
AX103	2666	2646	2616	103
AX105	2717	2697	2667	105
AX110	2844	2824	2794	110
AX112	2895	2875	2845	112
AX120	3098	3078	3048	120
AX128	3301	3281	3251	128
AX136	3504	3484	3454	136
AX144	3708	3688	3658	144
AX158	4063	4043	4013	158
AX173	4444	4424	4394	173
AX180	4622	4602	4572	180

BX - SECTION

Part No	Outside Length (mm)	Pitch Length (mm)	Inside Length (mm)	Inside Length (in)
BX24	680	650	610	24
BX26	730	700	660	26
BX28	781	751	711	28
BX30	832	802	762	30
BX31	857	827	787	31
BX32	883	853	813	32
BX33	908	878	838	33
BX34	934	904	864	34
BX35	959	929	889	35
BX36	984	954	914	36
BX37	1010	980	940	37
BX38	1035	1005	965	38
BX39	1061	1031	991	39
BX40	1086	1056	1016	40
BX41	1111	1081	1041	41
BX42	1137	1107	1067	42
BX43	1162	1132	1092	43
BX44	1188	1158	1118	44
BX45	1213	1183	1143	45
BX46	1238	1208	1168	46
BX47	1264	1234	1194	47
BX48	1289	1259	1219	48
BX49	1315	1285	1245	49
BX50	1340	1310	1270	50
BX51	1365	1335	1295	51
BX52	1391	1361	1321	52
BX53	1416	1386	1346	53
BX54	1442	1412	1372	54
BX55	1467	1437	1397	55
BX56	1492	1462	1422	56
BX57	1518	1488	1448	57
BX58	1543	1513	1473	58
BX59	1569	1539	1499	59
BX60	1594	1564	1524	60

Part No	Outside Length (mm)	Pitch Length (mm)	Inside Length (mm)	Inside Length (in)
BX61	1619	1589	1549	61
BX62	1645	1615	1575	62
BX63	1670	1640	1600	63
BX64	1696	1666	1626	64
BX65	1721	1691	1651	65
BX66	1746	1716	1676	66
BX67	1772	1742	1702	67
BX68	1797	1767	1727	68
BX69	1823	1793	1753	69
BX70	1848	1818	1778	70
BX71	1873	1843	1803	71
BX72	1899	1869	1829	72
BX73	1924	1894	1854	73
BX74	1950	1920	1880	74
BX75	1975	1945	1905	75
BX76	2000	1970	1930	76
BX77	2026	1996	1956	77
BX78	2051	2021	1981	78
BX79	2077	2047	2007	79
BX80	2102	2072	2032	80
BX81	2127	2097	2057	81
BX82	2153	2123	2083	82
BX83	2178	2148	2108	83
BX84	2204	2174	2134	84
BX85	2229	2199	2159	85
BX86	2254	2224	2184	86
BX87	2280	2250	2210	87
BX88	2305	2275	2235	88
BX89	2331	2301	2261	89
BX90	2356	2326	2286	90
BX91	2381	2351	2311	91
BX92	2407	2377	2337	92
BX93	2432	2402	2362	93
BX94	2458	2428	2388	94

Part No	Outside Length (mm)	Pitch Length (mm)	Inside Length (mm)	Inside Length (in)
BX95	2483	2453	2413	95
BX96	2508	2478	2438	96
BX97	2534	2504	2464	97
BX98	2559	2529	2489	98
BX99	2585	2555	2515	99
BX100	2610	2580	2540	100
BX103	2686	2656	2616	103
BX105	2737	2707	2667	105
BX106	2762	2732	2692	106
BX108	2813	2783	2743	108
BX112	2915	2885	2845	112
BX113	2940	2910	2870	113
BX115	2991	2961	2921	115
BX116	3016	2986	2946	116
BX120	3118	3088	3048	120
BX123	3194	3164	3124	123
BX124	3220	3190	3150	124
BX126	3270	3240	3200	126
BX128	3321	3291	3251	128
BX133	3448	3418	3378	133
BX136	3524	3494	3454	136
BX140	3626	3596	3556	140
BX144	3728	3698	3658	144
BX148	3829	3799	3759	148
BX150	3880	3850	3810	150
BX154	3982	3952	3912	154
BX158	4083	4053	4013	158
BX162	4185	4155	4115	162
BX173	4464	4434	4394	173
BX180	4642	4612	4572	180
BX191	4921	4891	4851	191
BX195	5023	4993	4953	195

CX - SECTION

Part No	Outside Length (mm)	Pitch Length (mm)	Inside Length (mm)	Inside Length (in)
CX51	1383	1353	1295	51
CX55	1485	1455	1397	55
CX60	1612	1582	1524	60
CX68	1815	1785	1727	68
CX72	1917	1887	1829	72
CX75	1993	1963	1905	75
CX78	2069	2039	1981	78

Part No	Outside Length (mm)	Pitch Length (mm)	Inside Length (mm)	Inside Length (in)
CX81	2145	2115	2057	81
CX85	2247	2217	2159	85
CX90	2374	2344	2286	90
CX96	2526	2496	2438	96
CX100	2628	2598	2540	100
CX101	2653	2623	2565	101
CX105	2755	2725	2667	105

Part No	Outside Length (mm)	Pitch Length (mm)	Inside Length (mm)	Inside Length (in)
CX109	2857	2827	2769	109
CX111	2907	2877	2819	111
CX112	2933	2903	2845	112
CX115	3009	2979	2921	115
CX120	3136	3106	3048	120
CX128	3339	3309	3251	128
CX136	3542	3512	3454	136



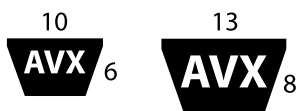
V-BELTS AUTOMOTIVE

Description

Energy saving, higher performance thanks to their flexibility. Dunlop Automotive V-belts with a higher performance level have a longer service life. Special designs with Raw edges that allow higher slipping resistance even when they are working with low installation tensions.

Maximum resistance to the action of heat and oils. High antistatic properties used in automotive applications and conforming to ISO1813.

Part numbers are identified by 3 letters (e.g.AVX) the belts cross section and a 2 digit number (e.g.10)the belts top width and a 3 or 4 digit number which represents the belts length in mm. AVX10x800 etc.



AVX10 - SECTION

Part No	Outside Length (mm)	Pitch Length (mm)	Inside Length (mm)	Inside Length (in)
AVX10X600	638	622	600	23.6
AVX10X613	651	635	613	24.1
AVX10X617	655	639	617	24.3
AVX10X625	663	647	625	24.6
AVX10X635	673	657	635	25.0
AVX10X643	681	665	643	25.3
AVX10X650	688	672	650	25.6
AVX10X670	708	692	670	26.4
AVX10X675	713	697	675	26.6
AVX10X683	721	705	683	26.9
AVX10X685	723	707	685	27.0
AVX10X695	733	717	695	27.4
AVX10X700	738	722	700	27.6
AVX10X710	748	732	710	28.0
AVX10X725	763	747	725	28.5
AVX10X735	773	757	735	28.9
AVX10X740	778	762	740	29.1
AVX10X745	783	767	745	29.3
AVX10X750	788	772	750	29.5
AVX10X763	801	785	763	30.0
AVX10X775	813	797	775	30.5
AVX10X785	823	807	785	30.9
AVX10X800	838	822	800	31.5
AVX10X813	851	835	813	32.0
AVX10X818	856	840	818	32.2
AVX10X825	863	847	825	32.5
AVX10X838	876	860	838	33.0
AVX10X844	882	866	844	33.2
AVX10X850	888	872	850	33.5

Part No	Outside Length (mm)	Pitch Length (mm)	Inside Length (mm)	Inside Length (in)
AVX10X864	902	886	864	34.0
AVX10X875	913	897	875	34.4
AVX10X888	926	910	888	35.0
AVX10X900	938	922	900	35.4
AVX10X913	951	935	913	35.9
AVX10X920	958	942	920	36.2
AVX10X925	963	947	925	36.4
AVX10X930	968	952	930	36.6
AVX10X935	973	957	935	36.8
AVX10X940	978	962	940	37.0
AVX10X950	988	972	950	37.4
AVX10X960	998	982	960	37.8
AVX10X965	1003	987	965	38.0
AVX10X970	1008	992	970	38.2
AVX10X975	1013	997	975	38.4
AVX10X980	1018	1002	980	38.6
AVX10X990	1028	1012	990	39.0
AVX10X995	1033	1017	995	39.2
AVX10X1000	1038	1022	1000	39.4
AVX10X1005	1043	1027	1005	39.6
AVX10X1013	1051	1035	1013	39.9
AVX10X1025	1063	1047	1025	40.4
AVX10X1050	1088	1072	1050	41.3
AVX10X1060	1098	1082	1060	41.7
AVX10X1070	1108	1092	1070	42.1
AVX10X1075	1113	1097	1075	42.3
AVX10X1080	1118	1102	1080	42.5
AVX10X1090	1128	1112	1090	42.9
AVX10X1100	1138	1122	1100	43.3

AVX10 - SECTION continued

Part No	Outside Length (mm)	Pitch Length (mm)	Inside Length (mm)	Inside Length (in)
AVX10X1110	1148	1132	1110	43.7
AVX10X1125	1163	1147	1125	44.3
AVX10X1140	1178	1162	1140	44.9
AVX10X1150	1188	1172	1150	45.3
AVX10X1165	1203	1187	1165	45.9
AVX10X1175	1213	1197	1175	46.3
AVX10X1184	1222	1206	1184	46.6
AVX10X1200	1238	1222	1200	47.2
AVX10X1215	1253	1237	1215	47.8
AVX10X1220	1258	1242	1220	48.0
AVX10X1225	1263	1247	1225	48.2
AVX10X1230	1268	1252	1230	48.4
AVX10X1235	1273	1257	1235	48.6
AVX10X1250	1288	1272	1250	49.2
AVX10X1260	1298	1282	1260	49.6
AVX10X1275	1313	1297	1275	50.2

Part No	Outside Length (mm)	Pitch Length (mm)	Inside Length (mm)	Inside Length (in)
AVX10X1300	1338	1322	1300	51.2
AVX10X1325	1363	1347	1325	52.2
AVX10X1340	1378	1362	1340	52.8
AVX10X1350	1388	1372	1350	53.1
AVX10X1375	1413	1397	1375	54.1
AVX10X1400	1438	1422	1400	55.1
AVX10X1425	1463	1447	1425	56.1
AVX10X1450	1488	1472	1450	57.1
AVX10X1475	1513	1497	1475	58.1
AVX10X1500	1538	1522	1500	59.1
AVX10X1525	1563	1547	1525	60.0
AVX10X1550	1588	1572	1550	61.0
AVX10X1575	1613	1597	1575	62.0
AVX10X1600	1638	1622	1600	63.0
AVX10X1625	1663	1647	1625	64.0
AVX10X1675	1713	1697	1675	65.9

AVX13 - SECTION

Part No	Outside Length (mm)	Pitch Length (mm)	Inside Length (mm)	Inside Length (in)
AVX13X750	800	780	750	29.5
AVX13X775	825	805	775	30.5
AVX13X800	850	830	800	31.5
AVX13X810	860	840	810	31.9
AVX13X818	868	848	818	32.2
AVX13X825	875	855	825	32.5
AVX13X835	885	865	835	32.9
AVX13X850	900	880	850	33.5
AVX13X875	925	905	875	34.4
AVX13X900	950	930	900	35.4
AVX13X918	968	948	918	36.1
AVX13X925	975	955	925	36.4
AVX13X950	1000	980	950	37.4
AVX13X960	1010	990	960	37.8
AVX13X975	1025	1005	975	38.4
AVX13X985	1035	1015	985	38.8
AVX13X992	1042	1022	992	39.1
AVX13X1000	1050	1030	1000	39.4
AVX13X1015	1065	1045	1015	40.0
AVX13X1025	1075	1055	1025	40.4
AVX13X1030	1080	1060	1030	40.6
AVX13X1040	1090	1070	1040	40.9
AVX13X1050	1100	1080	1050	41.3
AVX13X1055	1105	1085	1055	41.5
AVX13X1060	1110	1090	1060	41.7

Part No	Outside Length (mm)	Pitch Length (mm)	Inside Length (mm)	Inside Length (in)
AVX13X1075	1125	1105	1075	42.3
AVX13X1100	1150	1130	1100	43.3
AVX13X1125	1175	1155	1125	44.3
AVX13X1145	1195	1175	1145	45.1
AVX13X1150	1200	1180	1150	45.3
AVX13X1175	1225	1205	1175	46.3
AVX13X1200	1250	1230	1200	47.2
AVX13X1225	1275	1255	1225	48.2
AVX13X1250	1300	1280	1250	49.2
AVX13X1275	1325	1305	1275	50.2
AVX13X1285	1335	1315	1285	50.6
AVX13X1300	1350	1330	1300	51.2
AVX13X1325	1375	1355	1325	52.2
AVX13X1350	1400	1380	1350	53.1
AVX13X1375	1425	1405	1375	54.1
AVX13X1400	1450	1430	1400	55.1
AVX13X1425	1475	1455	1425	56.1
AVX13X1450	1500	1480	1450	57.1
AVX13X1475	1525	1505	1475	58.1
AVX13X1500	1550	1530	1500	59.1
AVX13X1525	1575	1555	1525	60.0
AVX13X1550	1600	1580	1550	61.0
AVX13X1575	1625	1605	1575	62.0
AVX13X1600	1650	1630	1600	63.0
AVX13X1625	1675	1655	1625	64.0



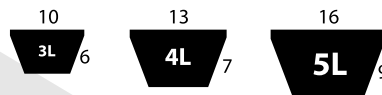
V-BELTS AGRICULTURAL

Description

3L, 4L & 5L cross section v-belts provide energy saving and high performance, a premium v-belt ideally suited for clutching application. Length stable kevlar corded (cotton covered) provides fewer take-ups and length adjustments. Longer life coupled with high heat and oil resistance.

AA, BB & CC cross section hexagonal v-belts are flexible in the direction of motion, rigid in transverse direction and designed for use in serpentine agricultural applications involving multiple pulley arrangements.

Dunlop hexagonal belts are identified by 2 letters stating their cross-section (e.g. AA) and by a number (e.g. 105) which represents the nominal pitch length in inches. AA105 etc.



3L - SECTION

Part No	Outside Length (mm)	Pitch Length (mm)	Outside Length (in)
3L200K	508	530	20
3L210K	533	555	21
3L220K	559	581	22
3L240K	610	632	24
3L250K	635	657	25
3L260K	660	682	26
3L270K	686	708	27
3L280K	711	733	28
3L290K	737	759	29
3L300K	762	784	30

Part No	Outside Length (mm)	Pitch Length (mm)	Outside Length (in)
3L310K	787	809	31
3L320K	813	835	32
3L330K	838	860	33
3L340K	864	886	34
3L350K	889	911	35
3L360K	914	936	36
3L370K	940	962	37
3L380K	965	987	38
3L390K	991	1013	39
3L400K	1016	1038	40

Part No	Outside Length (mm)	Pitch Length (mm)	Outside Length (in)
3L410K	1041	1063	41
3L420K	1067	1089	42
3L430K	1092	1114	43
3L440K	1118	1140	44
3L450K	1143	1165	45
3L460K	1168	1190	46
3L470K	1194	1216	47
3L480K	1219	1241	48

4L - SECTION

Part No	Outside Length (mm)	Pitch Length (mm)	Outside Length (in)
4L200K	508	538	20
4L210K	533	563	21
4L220K	559	589	22
4L230K	584	614	23
4L240K	610	640	24
4L250K	635	665	25
4L260K	660	690	26
4L270K	686	716	27
4L280K	711	741	28
4L290K	737	767	29
4L300K	762	792	30
4L310K	787	817	31
4L320K	813	843	32
4L330K	838	868	33

Part No	Outside Length (mm)	Pitch Length (mm)	Outside Length (in)
4L340K	864	894	34
4L350K	889	919	35
4L360K	914	944	36
4L370K	940	970	37
4L380K	965	995	38
4L390K	991	1021	39
4L400K	1016	1046	40
4L410K	1041	1071	41
4L420K	1067	1097	42
4L430K	1092	1122	43
4L440K	1118	1148	44
4L450K	1143	1173	45
4L460K	1168	1198	46
4L470K	1194	1224	47

Part No	Outside Length (mm)	Pitch Length (mm)	Outside Length (in)
4L480K	1219	1249	48
4L490K	1245	1275	49
4L500K	1270	1300	50
4L510K	1295	1325	51
4L520K	1321	1351	52
4L530K	1346	1376	53
4L540K	1372	1402	54
4L550K	1397	1427	55
4L560K	1422	1452	56
4L570K	1448	1478	57
4L580K	1473	1503	58
4L590K	1499	1529	59
4L600K	1524	1554	60
4L610K	1549	1579	61

Longer belt lengths are available

4L - SECTION continued

Part No	Outside Length (mm)	Pitch Length (mm)	Outside Length (in)
4L620K	1575	1605	62
4L630K	1600	1630	63
4L640K	1626	1656	64
4L650K	1651	1681	65
4L660K	1676	1706	66
4L670K	1702	1732	67
4L680K	1727	1757	68
4L690K	1753	1783	69
4L700K	1778	1808	70
4L710K	1803	1833	71
4L720K	1829	1859	72
4L730K	1854	1884	73
4L740K	1880	1910	74
4L750K	1905	1935	75
4L760K	1930	1960	76
4L770K	1956	1986	77
4L780K	1981	2011	78

Part No	Outside Length (mm)	Pitch Length (mm)	Outside Length (in)
4L790K	2007	2037	79
4L800K	2032	2062	80
4L810K	2057	2087	81
4L820K	2083	2113	82
4L830K	2108	2138	83
4L840K	2134	2164	84
4L850K	2159	2189	85
4L860K	2184	2214	86
4L870K	2210	2240	87
4L880K	2235	2265	88
4L890K	2261	2291	89
4L900K	2286	2316	90
4L910K	2311	2341	91
4L920K	2337	2367	92
4L930K	2362	2392	93
4L940K	2388	2418	94
4L950K	2413	2443	95

Part No	Outside Length (mm)	Pitch Length (mm)	Outside Length (in)
4L960K	2438	2468	96
4L970K	2464	2494	97
4L980K	2489	2519	98
4L990K	2515	2545	99
4L1000K	2540	2570	100
4L1020K	2591	2621	102
4L1030K	2616	2646	103
4L1050K	2667	2697	105
4L1060K	2692	2722	106
4L1070K	2718	2748	107
4L1080K	2743	2773	108
4L1120K	2845	2875	112
4L1140K	2896	2926	114
4L1170K	2972	3002	117
4L1180K	2997	3027	118
4L1380K	3505	3535	138

5L - SECTION

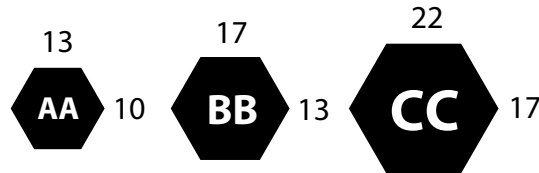
Part No	Outside Length (mm)	Pitch Length (mm)	Outside Length (in)
5L250K	635	675	25
5L260K	660	700	26
5L270K	686	726	27
5L280K	711	751	28
5L290K	737	777	29
5L300K	762	802	30
5L310K	787	827	31
5L320K	813	853	32
5L330K	838	878	33
5L340K	864	904	34
5L350K	889	929	35
5L360K	914	954	36
5L370K	940	980	37
5L380K	965	1005	38
5L390K	991	1031	39
5L400K	1016	1056	40
5L410K	1041	1081	41
5L420K	1067	1107	42
5L430K	1092	1132	43
5L440K	1118	1158	44
5L450K	1143	1183	45
5L460K	1168	1208	46
5L470K	1194	1234	47
5L480K	1219	1259	48

Part No	Outside Length (mm)	Pitch Length (mm)	Outside Length (in)
5L490K	1245	1285	49
5L500K	1270	1310	50
5L510K	1295	1335	51
5L520K	1321	1361	52
5L530K	1346	1386	53
5L540K	1372	1412	54
5L550K	1397	1437	55
5L560K	1422	1462	56
5L570K	1448	1488	57
5L580K	1473	1513	58
5L590K	1499	1539	59
5L600K	1524	1564	60
5L610K	1549	1589	61
5L620K	1575	1615	62
5L630K	1600	1640	63
5L640K	1626	1666	64
5L650K	1651	1691	65
5L660K	1676	1716	66
5L670K	1702	1742	67
5L680K	1727	1767	68
5L690K	1753	1793	69
5L700K	1778	1818	70
5L710K	1803	1843	71
5L720K	1829	1869	72

Part No	Outside Length (mm)	Pitch Length (mm)	Outside Length (in)
5L730K	1854	1894	73
5L740K	1880	1920	74
5L750K	1905	1945	75
5L760K	1930	1970	76
5L770K	1956	1996	77
5L780K	1981	2021	78
5L790K	2007	2047	79
5L800K	2032	2072	80
5L810K	2057	2097	81
5L820K	2083	2123	82
5L830K	2108	2148	83
5L840K	2134	2174	84
5L850K	2159	2199	85
5L860K	2184	2224	86
5L870K	2210	2250	87
5L880K	2235	2275	88
5L890K	2261	2301	89
5L900K	2286	2326	90
5L910K	2311	2351	91
5L920K	2337	2377	92
5L930K	2362	2402	93
5L940K	2388	2428	94
5L950K	2413	2453	95
5L960K	2438	2478	96

Please enquire for longer length options

AA - BB - CC - SECTION



AA - SECTION

Part No	Outside Length (mm)	Pitch Length (mm)	Inside Length (mm)
AA51	1326	1295	1264
AA60	1555	1524	1493
AA61	1580	1549	1518
AA68	1758	1727	1696
AA69	1784	1753	1722
AA71	1834	1803	1772
AA73	1885	1854	1823
AA75	1936	1905	1874
AA77	1987	1956	1925

Part No	Outside Length (mm)	Pitch Length (mm)	Inside Length (mm)
AA80	2063	2032	2001
AA81	2088	2057	2026
AA85	2190	2159	2128
AA86	2215	2184	2153
AA90	2317	2286	2255
AA91	2342	2311	2280
AA95	2444	2413	2382
AA96	2469	2438	2407
AA102	2622	2591	2560

Part No	Outside Length (mm)	Pitch Length (mm)	Inside Length (mm)
AA105	2698	2667	2636
AA108	2774	2743	2712
AA112	2876	2845	2814
AA116	2977	2946	2915
AA120	3079	3048	3017
AA128	3282	3251	3220
AA152	3892	3861	3830

BB - SECTION

Part No	Outside Length (mm)	Pitch Length (mm)	Inside Length (mm)
BB50	1314	1270	1226
BB60	1568	1524	1480
BB75	1949	1905	1861
BB76	1974	1930	1886
BB81	2101	2057	2013
BB83	2152	2108	2064
BB84	2178	2134	2090
BB85	2203	2159	2115
BB90	2330	2286	2242
BB97	2508	2464	2420
BB105	2711	2667	2623
BB112	2889	2845	2801

Part No	Outside Length (mm)	Pitch Length (mm)	Inside Length (mm)
BB118	3041	2997	2953
BB120	3092	3048	3004
BB121	3117	3073	3029
BB126	3244	3200	3156
BB128	3295	3251	3207
BB130	3346	3302	3258
BB131	3371	3327	3283
BB144	3702	3658	3614
BB154	3956	3912	3868
BB155	3981	3937	3893
BB158	4057	4013	3969
BB173	4438	4394	4350

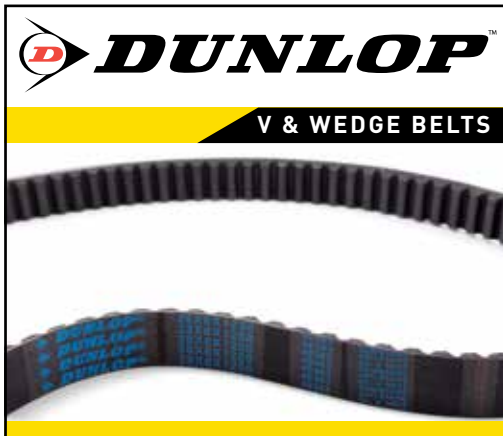
Part No	Outside Length (mm)	Pitch Length (mm)	Inside Length (mm)
BB174	4464	4420	4376
BB180	4616	4572	4528
BB184	4718	4674	4630
BB195	4997	4953	4909
BB210	5378	5334	5290
BB240	6140	6096	6052
BB270	6902	6858	6814
BB300	7664	7620	7576

CC - SECTION

Part No	Outside Length (mm)	Pitch Length (mm)	Inside Length (mm)
CC75	1965	1905	1845
CC81	2117	2057	1997
CC85	2219	2159	2099
CC86	2244	2184	2124
CC90	2346	2286	2226
CC96	2498	2438	2378
CC105	2727	2667	2607
CC112	2905	2845	2785
CC120	3108	3048	2988
CC122	3159	3099	3039

Part No	Outside Length (mm)	Pitch Length (mm)	Inside Length (mm)
CC128	3311	3251	3191
CC144	3718	3658	3598
CC153	3946	3886	3826
CC158	4073	4013	3953
CC162	4175	4115	4055
CC173	4454	4394	4334
CC180	4632	4572	4512
CC193	4962	4902	4842
CC195	5013	4953	4893
CC210	5394	5334	5274

Part No	Outside Length (mm)	Pitch Length (mm)	Inside Length (mm)
CC234	6004	5944	5884
CC240	6156	6096	6036
CC270	6918	6858	6798
CC300	7680	7620	7560
CC313	8010	7950	7890
CC330	8442	8382	8322
CC360	9204	9144	9084
CC390	9966	9906	9846
CC420	10728	10668	10608



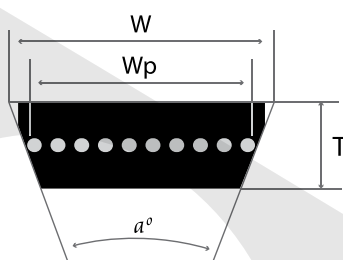
V-BELTS VARIABLE SPEED

Description

Our range of Variable Speed V-Belts includes belts conforming to ISO R 1604, they are designated by e.g. the letter W followed by a number e.g. 16 which is the belts width in mm. This is followed by a number e.g. 500 which corresponds to the pitch length L_p in mm.

Belts not covered by the ISO standards are designated by a code consisting of a set of 3 numbers e.g. 22 which denotes the belts top width followed by e.g. 8 which denotes the belts thickness and e.g. 1000 which denotes the belts inside length L_i in mm, therefore e.g. 22x8x1000.

ISO 1604 SECTIONS	W 16	W 20	W 25	W 31.5	W 40	W 50	W 63	W 80
Nom. section W x T (mm)	17 x 16	21 x 7	26 x 8	33 x 10	42 x 13	52 x 16	65 x 20	83 x 26
Pitch width W_p (mm)	16	20	25	31.5	40	50	63	80



ISO 1604 - SECTIONS

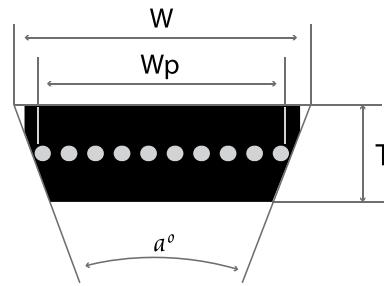
Part No	Cross Section (mm)	Pitch Length (mm)
16W450	17x5	450
16W500	17x5	500
16W560	17x5	560
16W630	17x5	630
16W800	17x5	800
20W1000	21x6.5	1000
20W1120	21x6.5	1120
20W1250	21x6.5	1250
20W560	21x6.5	560
20W630	21x6.5	630
20W710	21x6.5	710
20W800	21x6.5	800
20W900	21x6.5	900
25W710	26x8	710
25W800	26x8	800
25W900	26x8	900
25W1000	26x8	1000
25W1120	26x8	1120
25W1250	26x8	1250
25W1400	26x8	1400
25W1600	26x8	1600
31.5W900	33x10	900
31.5W1000	33x10	1000

Part No	Cross Section (mm)	Pitch Length (mm)
31.5W1120	33x10	1120
31.5W1250	33x10	1250
31.5W1400	33x10	1400
31.5W1600	33x10	1600
31.5W1800	33x10	1800
40W1000	42x13	1000
40W1120	42x13	1120
40W1250	42x13	1250
40W1400	42x13	1400
40W1500	42x13	1500
40W1600	42x13	1600
40W1700	42x13	1700
40W1800	42x13	1800
40W2000	42x13	2000
40W2240	42x13	2240
40W2500	42x13	2500
50W1120	52x16	1120
50W1150	52x16	1150
50W1250	52x16	1250
50W1400	52x16	1400
50W1600	52x16	1600
50W1700	52x16	1700
50W1800	52x16	1800

Part No	Cross Section (mm)	Pitch Length (mm)
50W2000	52x16	2000
50W2240	52x16	2240
50W2500	52x16	2500
50W2800	52x16	2800
50W3150	52x16	3150
63W1600	65x20	1600
63W1800	65x20	1800
63W2000	65x20	2000
63W2240	65x20	2240
63W2500	65x20	2500
63W2800	65x20	2800
63W3150	65x20	3150
63W3550	65x20	3550
63W4000	65x20	4000
80W1800	65x20	1800
80W2240	65x20	2240
80W2500	65x20	2500
80W2800	65x20	2800
80W3150	65x20	3150
80W3550	65x20	3550
80W4000	65x20	4000

VNN - SECTION

VNN SECTIONS	13 x 6	22 x 8	28 x 8	37 x 10	47 x 13	55 x 16
Nom. section W x T (mm)	26	26	26	28	28	28



VNN - SECTION

Part No	Cross Section (mm)	Internal Length (mm)	Pitch Length (mm)	Part No	Cross Section (mm)	Internal Length (mm)	Pitch Length (mm)	Part No	Cross Section (mm)	Internal Length (mm)	Pitch Length (mm)
VS13X6X600	13x6	600	630	VS28X8X900	28x8	900	940	VS47X13X900	47x13	900	960
VS13X6X650	13x6	650	680	VS28X8X950	28x8	950	990	VS47X13X1000	47x13	1000	1060
VS13X6X700	13x6	700	730	VS28X8X1000	28x8	1000	1040	VS47X13X1060	47x13	1060	1120
VS13X6X750	13x6	750	780	VS28X8X1060	28x8	1060	1100	VS47X13X1120	47x13	1120	1180
VS13X6X800	13x6	800	830	VS28X8X1120	28x8	1120	1160	VS47X13X1180	47x13	1180	1240
VS13X6X850	13x6	850	880	VS28X8X1180	28x8	1180	1220	VS47X13X1250	47x13	1250	1310
VS13X6X900	13x6	900	930	VS28X8X1250	28x8	1250	1290	VS47X13X1320	47x13	1320	1380
VS22X8X550	22x8	550	590	VS28X8X1320	28x8	1320	1360	VS47X13X1400	47x13	1400	1460
VS22X8X600	22x8	600	640	VS28X8X1400	28x8	1400	1440	VS47X13X1500	47x13	1500	1560
VS22X8X650	22x8	650	690	VS28X8X1500	28x8	1500	1540	VS47X13X1600	47x13	1600	1660
VS22X8X700	22x8	700	740	VS37X10X750	37x10	750	800	VS47X13X1700	47x13	1700	1760
VS22X8X750	22x8	750	790	VS37X10X800	37x10	800	850	VS47X13X1800	47x13	1800	1860
VS22X8X800	22x8	800	840	VS37X10X850	37x10	850	900	VS47X13X2000	47x13	2000	2060
VS22X8X850	22x8	850	890	VS37X10X900	37x10	900	950	VS47X13X2240	47x13	2240	2300
VS22X8X900	22x8	900	940	VS37X10X950	37x10	950	1000	VS55X16X1180	55x16	1180	1255
VS22X8X950	22x8	950	990	VS37X10X1000	37x10	1000	1050	VS55X16X1250	55x16	1250	1325
VS22X8X1000	22x8	1000	1040	VS37X10X1060	37x10	1060	1110	VS55X16X1320	55x16	1320	1395
VS22X8X1060	22x8	1060	1100	VS37X10X1120	37x10	1120	1170	VS55X16X1400	55x16	1400	1475
VS22X8X1120	22x8	1120	1160	VS37X10X1180	37x10	1180	1230	VS55X16X1500	55x16	1500	1575
VS28X8X600	28x8	600	640	VS37X10X1250	37x10	1250	1300	VS55X16X1600	55x16	1600	1675
VS28X8X650	28x8	650	690	VS37X10X1320	37x10	1320	1370	VS55X16X1700	55x16	1700	1775
VS28X8X700	28x8	700	740	VS37X10X1400	37x10	1400	1450	VS55X16X1800	55x16	1800	1875
VS28X8X750	28x8	750	790	VS37X10X1500	37x10	1500	1550	VS55X16X2000	55x16	2000	2075
VS28X8X800	28x8	800	840	VS37X10X1600	37x10	1600	1650	VS55X16X2240	55x16	2240	2315
VS28X8X850	28x8	850	890	VS37X10X1700	37x10	1700	1750				



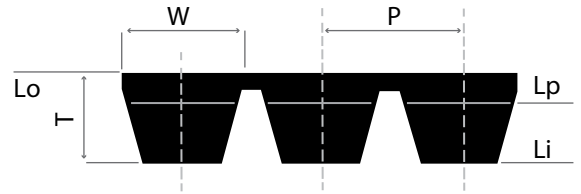
V & WEDGE BELTS BANDED

Description

Banded V-Belts & Wedge Belts are sets of belts assembled together. Besides incorporating all of the features of standard belts, the belts are joined together to form a band gives the following additional features; no flapping during abrupt load variations, no possibility of turning over and are ideal in high vibration applications.

Part numbers are designated by letters standing for their cross-section, e.g. SPB followed by a number e.g. 2000 which specifies the belts pitch length, followed by e.g. /4 which specifies the number of bands.

Wedge Belts Banded	3V	5V	8V
Individual Section W&T (mm)	9.65 x 7.8	15.8 x13.5	25.0 x 23.0
Centres of grooves P (mm)	10.30	17.50	28.60
Lo - Lp (mm)	3.6	11.3	15.2



3V - SECTION BANDED

Part No	Effective Length (mm)	Effective Length (inches)
3V335/BAND	851	33.5
3V355/BAND	902	35.5
3V375/BAND	953	37.5
3V400/BAND	1016	40
3V425/BAND	1080	42.5
3V450/BAND	1143	45
3V475/BAND	1207	47.5
3V500/BAND	1270	50
3V530/BAND	1346	53

Part No	Effective Length (mm)	Effective Length (inches)
3V560/BAND	1422	56
3V600/BAND	1524	60
3V630/BAND	1600	63
3V670/BAND	1702	67
3V710/BAND	1803	71
3V750/BAND	1905	75
3V800/BAND	2032	80
3V850/BAND	2159	85
3V900/BAND	2286	90

Part No	Effective Length (mm)	Effective Length (inches)
3V950/BAND	2413	95
3V1000/BAND	2540	100
3V1060/BAND	2692	106
3V1120/BAND	2845	112
3V1180/BAND	2997	118
3V1250/BAND	3175	125
3V1320/BAND	3353	132
3V1400/BAND	3556	140

5V - SECTION BANDED

Part No	Effective Length (mm)	Effective Length (inches)
5V500/BAND	1270	50
5V530/BAND	1346	53
5V630/BAND	1600	63
5V670/BAND	1702	67
5V750/BAND	1905	75
5V800/BAND	2032	80
5V850/BAND	2159	85
5V900/BAND	2286	90
5V950/BAND	2413	95
5V1000/BAND	2540	100
5V1060/BAND	2692	106

Part No	Effective Length (mm)	Effective Length (inches)
5V1120/BAND	2845	112
5V1180/BAND	2997	118
5V1250/BAND	3175	125
5V1320/BAND	3353	132
5V1400/BAND	3556	140
5V1500/BAND	3810	150
5V1600/BAND	4064	160
5V1650/BAND	4191	165
5V1700/BAND	4318	170
5V1800/BAND	4572	180
5V1900/BAND	4826	190

Part No	Effective Length (mm)	Effective Length (inches)
5V2000/BAND	5080	200
5V2120/BAND	5385	212
5V2240/BAND	5690	224
5V2360/BAND	5994	236
5V2500/BAND	6350	250
5V2650/BAND	6731	265
5V2800/BAND	7112	280
5V3000/BAND	7620	300
5V3150/BAND	8001	315
5V3350/BAND	8509	335
5V3550/BAND	9017	355

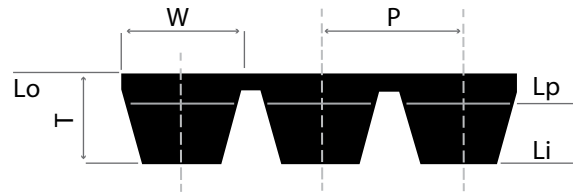
8V - SECTION BANDED

Part No	Effective Length (mm)	Effective Length (inches)
8V1000/BAND	2540	100
8V1400/BAND	3556	140
8V1600/BAND	4064	160
8V1700/BAND	4318	170
8V1800/BAND	4572	180
8V1900/BAND	4826	190
8V2000/BAND	5080	200
8V2120/BAND	5385	212
8V2240/BAND	5690	224

Part No	Effective Length (mm)	Effective Length (inches)
8V2360/BAND	5994	236
8V2500/BAND	6350	250
8V2650/BAND	6731	265
8V2800/BAND	7112	280
8V3000/BAND	7620	300
8V3150/BAND	8001	315
8V3350/BAND	8509	335
8V3550/BAND	9017	355
8V3750/BAND	9525	375

Part No	Effective Length (mm)	Effective Length (inches)
8V4000/BAND	10160	400
8V4250/BAND	10795	425
8V4500/BAND	11430	450
8V4750/BAND	12065	475
8V5000/BAND	12700	500
8V5600/BAND	14224	560
8V6000/BAND	15240	600

V Belts Banded	A	B	C
Individual Section W&T (mm)	13 x 8	17 X 11	22 x 14
Centres of grooves P (mm)	15	19	25.40
Lo - Lp (mm)	16	22	34



A - SECTION BANDED

Part No	Effective Length (mm)	Effective Length (inches)
A47/BAND	1194	47
A51/BAND	1295	51
A53/BAND	1346	53
A56/BAND	1422	56
A57/BAND	1448	57
A59/BAND	1499	59
A64/BAND	1626	64
A67/BAND	1702	67
A71/BAND	1803	71

Part No	Effective Length (mm)	Effective Length (inches)
A75/BAND	1905	75
A78/BAND	1981	78
A79/BAND	2007	79
A80/BAND	2032	80
A88/BAND	2235	88
A90/BAND	2286	90
A98/BAND	2489	98
A100/BAND	2540	100
A104/BAND	2642	104

Part No	Effective Length (mm)	Effective Length (inches)
A112/BAND	2845	112
A120/BAND	3048	120
A128/BAND	3251	128
A144/BAND	3658	144
A158/BAND	4013	158
A167/BAND	4242	167
A187/BAND	4750	187

B - SECTION BANDED

Part No	Effective Length (mm)	Effective Length (inches)
B60/BAND	1524	60
B65/BAND	1651	65
B67/BAND	1702	67
B70/BAND	1778	70
B71/BAND	1803	71
B72/BAND	1829	72
B73/BAND	1854	73
B74/BAND	1880	74
B75/BAND	1905	75
B76/BAND	1930	76
B78/BAND	1981	78
B79/BAND	2007	79
B80/BAND	2032	80

Part No	Effective Length (mm)	Effective Length (inches)
B81/BAND	2057	81
B82/BAND	2083	82
B83/BAND	2108	83
B84/BAND	2134	84
B85/BAND	2159	85
B86/BAND	2184	86
B87/BAND	2210	87
B88/BAND	2235	88
B89/BAND	2261	89
B90/BAND	2286	90
B91/BAND	2311	91
B92/BAND	2337	92
B93/BAND	2362	93

Part No	Effective Length (mm)	Effective Length (inches)
B94/BAND	2388	94
B95/BAND	2413	95
B96/BAND	2438	96
B97/BAND	2464	97
B98/BAND	2489	98
B99/BAND	2515	99
B100/BAND	2540	100
B101/BAND	2565	101
B102/BAND	2591	102
B104/BAND	2642	104
B105/BAND	2667	105
B106/BAND	2692	106
B107/BAND	2718	107

B - SECTION BANDED continued

Part No	Effective Length (mm)	Effective Length (inches)
B108/BAND	2743	108
B110/BAND	2794	110
B112/BAND	2845	112
B114/BAND	2896	114
B115/BAND	2921	115
B116/BAND	2946	116
B118/BAND	2997	118
B120/BAND	3048	120
B124/BAND	3150	124
B127/BAND	3226	127
B128/BAND	3251	128
B130/BAND	3302	130
B131/BAND	3327	131
B132/BAND	3353	132
B133/BAND	3378	133

Part No	Effective Length (mm)	Effective Length (inches)
B134/BAND	3404	134
B135/BAND	3429	135
B136/BAND	3454	136
B140/BAND	3556	140
B144/BAND	3658	144
B147/BAND	3734	147
B148/BAND	3759	148
B150/BAND	3810	150
B151/BAND	3835	151
B152/BAND	3861	152
B154/BAND	3912	154
B157/BAND	3988	157
B158/BAND	4013	158
B161/BAND	4089	161
B162/BAND	4115	162

Part No	Effective Length (mm)	Effective Length (inches)
B163/BAND	4140	163
B165/BAND	4191	165
B167/BAND	4242	167
B168/BAND	4267	168
B173/BAND	4394	173
B175/BAND	4445	175
B177/BAND	4496	177
B180/BAND	4572	180
B186/BAND	4724	186
B188/BAND	4775	188
B192/BAND	4877	192
B195/BAND	4953	195
B197/BAND	5004	197

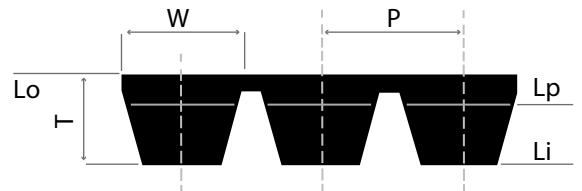
C - SECTION BANDED

Part No	Effective Length (mm)	Effective Length (inches)
C90/BAND	2286	90
C98/BAND	2489	98
C99/BAND	2515	99
C100/BAND	2540	100
C102/BAND	2591	102
C104/BAND	2642	104
C105/BAND	2667	105
C106/BAND	2692	106
C108/BAND	2743	108
C110/BAND	2794	110
C112/BAND	2845	112
C115/BAND	2921	115
C118/BAND	2997	118

Part No	Effective Length (mm)	Effective Length (inches)
C120/BAND	3048	120
C124/BAND	3150	124
C128/BAND	3251	128
C130/BAND	3302	130
C134/BAND	3404	134
C136/BAND	3454	136
C140/BAND	3556	140
C142/BAND	3607	142
C144/BAND	3658	144
C146/BAND	3708	146
C148/BAND	3759	148
C151/BAND	3835	151
C153/BAND	3886	153

Part No	Effective Length (mm)	Effective Length (inches)
C158/BAND	4013	158
C160/BAND	4064	160
C165/BAND	4191	165
C166/BAND	4216	166
C168/BAND	4267	168
C173/BAND	4394	173
C177/BAND	4496	177
C180/BAND	4572	180
C195/BAND	4953	195
C210/BAND	5334	210
C240/BAND	6096	240

Wedge Belts Banded	SPZ	SPA	SPB	SPC
Individual Section W&T (mm)	9.7 x 8	12.7 x 10	16.3 x 7.8	23 x 18
Centres of grooves P (mm)	12.00	15.00	19.00	25.50
Lo - Lp (mm)	13	18	22	30



SPZ - SECTION BANDED

Part No	Effective Length (mm)	Effective Length (inches)
SPZ1250/BAND	1212	47.7
SPZ1400/BAND	1362	53.6
SPZ1500/BAND	1462	57.6

Part No	Effective Length (mm)	Effective Length (inches)
SPZ1600/BAND	1562	61.5
SPZ1700/BAND	1662	65.4
SPZ1800/BAND	1762	69.4

Part No	Effective Length (mm)	Effective Length (inches)
SPZ1900/BAND	1862	73.3
SPZ2000/BAND	1962	77.2
SPZ2120/BAND	2082	82.0

SPZ - SECTION BANDED continued

Part No	Effective Length (mm)	Effective Length (inches)
SPZ2240/BAND	2202	86.7
SPZ2360/BAND	2322	91.4
SPZ2500/BAND	2462	96.9

Part No	Effective Length (mm)	Effective Length (inches)
SPZ2650/BAND	2612	102.8
SPZ2800/BAND	2762	108.7
SPZ3000/BAND	2962	116.6

Part No	Effective Length (mm)	Effective Length (inches)
SPZ3150/BAND	3112	122.5
SPZ3350/BAND	3312	130.4
SPZ3550/BAND	3512	138.3

SPA - SECTION BANDED

Part No	Effective Length (mm)	Effective Length (inches)
SPA1250/BAND	1205	47.4
SPA1400/BAND	1355	53.3
SPA1500/BAND	1455	57.3
SPA1600/BAND	1555	61.2
SPA1700/BAND	1655	65.2
SPA1800/BAND	1755	69.1
SPA1900/BAND	1855	73.0

Part No	Effective Length (mm)	Effective Length (inches)
SPA2120/BAND	2075	81.7
SPA2150/BAND	2105	82.9
SPA2240/BAND	2195	86.4
SPA2360/BAND	2315	91.1
SPA2500/BAND	2455	96.7
SPA2650/BAND	2605	102.6
SPA2800/BAND	2755	108.5

Part No	Effective Length (mm)	Effective Length (inches)
SPA3000/BAND	2955	116.3
SPA3350/BAND	3305	130.1
SPA3550/BAND	3505	138.0
SPA3750/BAND	3705	145.9
SPA4000/BAND	3955	155.7
SPA4250/BAND	4205	165.6
SPA4500/BAND	4455	175.4

SPB - SECTION BANDED

Part No	Effective Length (mm)	Effective Length (inches)
SPB1600/BAND	1540	60.6
SPB1800/BAND	1740	68.5
SPB2000/BAND	1940	76.4
SPB2120/BAND	2060	81.1
SPB2240/BAND	2180	85.8
SPB2360/BAND	2300	90.6
SPB2500/BAND	2440	96.1
SPB2650/BAND	2590	102.0
SPB2800/BAND	2740	107.9

Part No	Effective Length (mm)	Effective Length (inches)
SPB3000/BAND	2940	115.7
SPB3150/BAND	3090	121.7
SPB3350/BAND	3290	129.5
SPB3550/BAND	3490	137.4
SPB3750/BAND	3690	145.3
SPB4000/BAND	3940	155.1
SPB4250/BAND	4190	165.0
SPB4500/BAND	4440	174.8
SPB4750/BAND	4690	184.6

Part No	Effective Length (mm)	Effective Length (inches)
SPB5000/BAND	4940	194.5
SPB5300/BAND	5240	206.3
SPB5600/BAND	5540	218.1
SPB6000/BAND	5940	233.9
SPB6300/BAND	6240	245.7
SPB6700/BAND	6640	261.4
SPB7100/BAND	7040	277.2
SPB7500/BAND	7440	292.9
SPB8000/BAND	7940	312.6

SPC - SECTION BANDED

Part No	Effective Length (mm)	Effective Length (inches)
SPC2360/BAND	2277	89.6
SPC2500/BAND	2417	95.2
SPC2800/BAND	2717	107.0
SPC3000/BAND	2917	114.8
SPC3150/BAND	3067	120.7
SPC3350/BAND	3267	128.6
SPC3550/BAND	3467	136.5
SPC3750/BAND	3667	144.4
SPC4000/BAND	3917	154.2
SPC4250/BAND	4167	164.1

Part No	Effective Length (mm)	Effective Length (inches)
SPC4500/BAND	4417	173.9
SPC4750/BAND	4667	183.7
SPC5000/BAND	4917	193.6
SPC5300/BAND	5217	205.4
SPC5600/BAND	5517	217.2
SPC6000/BAND	5917	233.0
SPC6300/BAND	6217	244.8
SPC6700/BAND	6617	260.5
SPC7100/BAND	7017	276.3
SPC7500/BAND	7417	292.0

Part No	Effective Length (mm)	Effective Length (inches)
SPC8000/BAND	7917	311.7
SPC8500/BAND	8417	331.4
SPC9000/BAND	8917	351.1
SPC9500/BAND	9417	370.7
SPC10000/BAND	9917	390.4
SPC10600/BAND	10517	414.1
SPC11200/BAND	11117	437.7
SPC11800/BAND	11717	461.3
SPC12500/BAND	12417	488.9

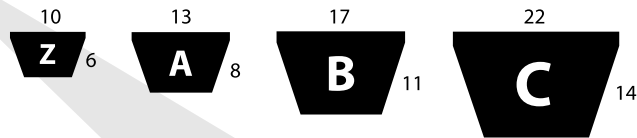


V-BELT LINK BELTING

Description

V-belt Link belting offers a fast alternative to a V-Belt or Wedge Belt in an emergency break down situation, due to the ease in which the belts length can be adjusted to suit any application.

Also used as preferred belting product in applications where an endless belt can not be fitted without an expensive machine breakdown as it can be threaded into place and connected in situ without the need for shafts and bearings to be dismantled.



Part No.	Belt width (mm)	Belt Depth (mm)	V-Belt Section
Z-Link Twist Belt	10	6	Z
A-Link Twist Belt	13	8	A
B-Link Twist Belt	17	11	B
C-Link Twist Belt	22	14	C

DUNLOP V-Belt Link Belting is the ideal replacement substitute for conventional rubber V-Belts and offers a permanent or ideal temporary replacement for conventional rubber V-Belts. Dunlop V-Belt Link Belting combines superior strength, durability and quick, easy assembly to keep equipment up and running at the same running horse power ratings as rubber belts.

- Durable urethane coating precision machined sides for smooth engagement
- Rugged, woven polyester fabric for strength and longer belt life
- Dunlop urethane construction offers superior resistance to most common industrial solvents and chemicals, oil, water and extreme temperatures, from -25°C to 80°C
- Dissipates heat so they run cooler than conventional belts

INSTALLATION

Installation and assembly is as easy as a snap and a twist. No special tools are required to couple or uncouple each belt. Belts can be made to accommodate any length, which makes them ideal for emergency repairs and replacements. Once assembled, V-Link Belts are installed in a fraction of the time needed for endless rubber belts without removing bearings, motors or shafts.

They are suitable in harsh environments and are ideal for metal processing, machine tool, agricultural, packaging, coal and aggregate, pulp and paper, marine, air handling, petrochemical, woodworking, conveying and food industries, HVAC.





V & WEDGE BELTS



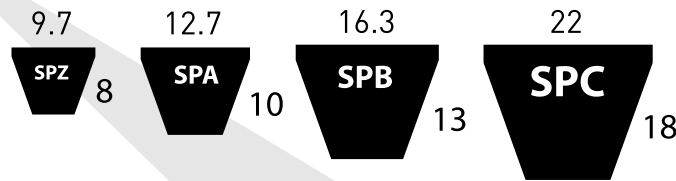
WEDGE BELTS WRAPPED

Description

Wrapped Wedge Belts are designated by letters standing for their cross-section, e.g. SPA followed by a number e.g. 1600 which specifies the belts pitch length Lp in mm. Due to their high power ratings savings can be made over classical V-Belts, smaller pulley diameters and reduced numbers of belts and be incorporated into more compact drives.

Wedge Belts are produced to BS3790, DIN 7753 and AFOR T 47-117 standards. They are manufactured in the cross-sections SPZ, SPA, SPB and SPC in a range of over 400 lengths.

Dunlop V-belts have specially treated jackets to give superior anti-static, heat and oil-resistant properties and are static conductive to ISO1813.



SPZ - SECTION

Part No	Outside Length (mm)	Pitch Length (mm)	Inside Length (mm)
SPZ487	500	487	449
SPZ500	513	500	462
SPZ512	525	512	474
SPZ530	543	530	492
SPZ545	558	545	507
SPZ560	573	560	522
SPZ562	575	562	524
SPZ580	593	580	542
SPZ587	600	587	549
SPZ607	620	607	569
SPZ612	625	612	574
SPZ615	628	615	577
SPZ630	643	630	592
SPZ637	650	637	599
SPZ662	675	662	624
SPZ670	683	670	632
SPZ687	700	687	649
SPZ707	720	707	669
SPZ710	723	710	672
SPZ722	735	722	684
SPZ732	745	732	694
SPZ737	750	737	699
SPZ750	763	750	712
SPZ757	770	757	719
SPZ760	773	760	722
SPZ762	775	762	724
SPZ772	785	772	734

Part No	Outside Length (mm)	Pitch Length (mm)	Inside Length (mm)
SPZ775	788	775	737
SPZ787	800	787	749
SPZ800	813	800	762
SPZ812	825	812	774
SPZ825	838	825	787
SPZ837	850	837	799
SPZ850	863	850	812
SPZ862	875	862	824
SPZ875	888	875	837
SPZ887	900	887	849
SPZ900	913	900	862
SPZ912	925	912	874
SPZ922	935	922	884
SPZ925	938	925	887
SPZ937	950	937	899
SPZ940	953	940	902
SPZ950	963	950	912
SPZ962	975	962	924
SPZ975	988	975	937
SPZ987	1000	987	949
SPZ1000	1013	1000	962
SPZ1010	1023	1010	972
SPZ1012	1025	1012	974
SPZ1020	1033	1020	982
SPZ1024	1037	1024	986
SPZ1030	1043	1030	992
SPZ1037	1050	1037	999

Part No	Outside Length (mm)	Pitch Length (mm)	Inside Length (mm)
SPZ1040	1053	1040	1002
SPZ1047	1060	1047	1009
SPZ1060	1073	1060	1022
SPZ1062	1075	1062	1024
SPZ1077	1090	1077	1039
SPZ1080	1093	1080	1042
SPZ1087	1100	1087	1049
SPZ1090	1103	1090	1052
SPZ1100	1113	1100	1062
SPZ1112	1125	1112	1074
SPZ1120	1133	1120	1082
SPZ1125	1138	1125	1087
SPZ1137	1150	1137	1099
SPZ1140	1153	1140	1102
SPZ1147	1160	1147	1109
SPZ1150	1163	1150	1112
SPZ1160	1173	1160	1122
SPZ1162	1175	1162	1124
SPZ1180	1193	1180	1142
SPZ1187	1200	1187	1149
SPZ1200	1213	1200	1162
SPZ1202	1215	1202	1164
SPZ1212	1225	1212	1174
SPZ1215	1228	1215	1177
SPZ1220	1233	1220	1182
SPZ1230	1243	1230	1192
SPZ1237	1250	1237	1199

SPZ - SECTION continued

Part No	Outside Length (mm)	Pitch Length (mm)	Inside Length (mm)
SPZ1250	1263	1250	1212
SPZ1262	1275	1262	1224
SPZ1270	1283	1270	1232
SPZ1280	1293	1280	1242
SPZ1285	1298	1285	1247
SPZ1287	1300	1287	1249
SPZ1300	1313	1300	1262
SPZ1312	1325	1312	1274
SPZ1320	1333	1320	1282
SPZ1337	1350	1337	1299
SPZ1340	1353	1340	1302
SPZ1347	1360	1347	1309
SPZ1360	1373	1360	1322
SPZ1362	1375	1362	1324
SPZ1375	1388	1375	1337
SPZ1387	1400	1387	1349
SPZ1400	1413	1400	1362
SPZ1412	1425	1412	1374
SPZ1420	1433	1420	1382
SPZ1437	1450	1437	1399
SPZ1450	1463	1450	1412
SPZ1462	1475	1462	1424
SPZ1470	1483	1470	1432
SPZ1482	1495	1482	1444
SPZ1487	1500	1487	1449
SPZ1500	1513	1500	1462
SPZ1512	1525	1512	1474
SPZ1520	1533	1520	1482
SPZ1537	1550	1537	1499
SPZ1550	1563	1550	1512
SPZ1560	1573	1560	1522
SPZ1562	1575	1562	1524
SPZ1587	1600	1587	1549
SPZ1600	1613	1600	1562
SPZ1612	1625	1612	1574

Part No	Outside Length (mm)	Pitch Length (mm)	Inside Length (mm)
SPZ1637	1650	1637	1599
SPZ1650	1663	1650	1612
SPZ1662	1675	1662	1624
SPZ1675	1688	1675	1637
SPZ1687	1700	1687	1649
SPZ1700	1713	1700	1662
SPZ1712	1725	1712	1674
SPZ1732	1745	1732	1694
SPZ1737	1750	1737	1699
SPZ1750	1763	1750	1712
SPZ1762	1775	1762	1724
SPZ1782	1795	1782	1744
SPZ1787	1800	1787	1749
SPZ1800	1813	1800	1762
SPZ1812	1825	1812	1774
SPZ1837	1850	1837	1799
SPZ1850	1863	1850	1812
SPZ1862	1875	1862	1824
SPZ1882	1895	1882	1844
SPZ1887	1900	1887	1849
SPZ1900	1913	1900	1862
SPZ1937	1950	1937	1899
SPZ1950	1963	1950	1912
SPZ1962	1975	1962	1924
SPZ1987	2000	1987	1949
SPZ2000	2013	2000	1962
SPZ2019	2032	2019	1981
SPZ2030	2043	2030	1992
SPZ2037	2050	2037	1999
SPZ2040	2053	2040	2002
SPZ2060	2073	2060	2022
SPZ2062	2075	2062	2024
SPZ2080	2093	2080	2042
SPZ2087	2100	2087	2049
SPZ2120	2133	2120	2082

Part No	Outside Length (mm)	Pitch Length (mm)	Inside Length (mm)
SPZ2137	2150	2137	2099
SPZ2160	2173	2160	2122
SPZ2180	2193	2180	2142
SPZ2187	2200	2187	2149
SPZ2200	2213	2200	2162
SPZ2240	2253	2240	2202
SPZ2262	2275	2262	2224
SPZ2280	2293	2280	2242
SPZ2287	2300	2287	2249
SPZ2300	2313	2300	2262
SPZ2360	2373	2360	2322
SPZ2410	2423	2410	2372
SPZ2430	2443	2430	2392
SPZ2437	2450	2437	2399
SPZ2487	2500	2487	2449
SPZ2500	2513	2500	2462
SPZ2540	2553	2540	2502
SPZ2587	2600	2587	2549
SPZ2650	2663	2650	2612
SPZ2690	2703	2690	2652
SPZ2720	2733	2720	2682
SPZ2737	2750	2737	2699
SPZ2800	2813	2800	2762
SPZ2840	2853	2840	2802
SPZ2900	2913	2900	2862
SPZ3000	3013	3000	2962
SPZ3070	3083	3070	3032
SPZ3150	3163	3150	3112
SPZ3170	3183	3170	3132
SPZ3250	3263	3250	3212
SPZ3350	3363	3350	3312
SPZ3550	3563	3550	3512
SPZ3900	3913	3900	3862

SPA - SECTION

Part No	Outside Length (mm)	Pitch Length (mm)	Inside Length (mm)
SPA657	675	657	612
SPA707	725	707	662
SPA732	750	732	687
SPA750	768	750	705
SPA757	775	757	712
SPA782	800	782	737

Part No	Outside Length (mm)	Pitch Length (mm)	Inside Length (mm)
SPA800	818	800	755
SPA807	825	807	762
SPA825	843	825	780
SPA832	850	832	787
SPA850	868	850	805
SPA857	875	857	812

Part No	Outside Length (mm)	Pitch Length (mm)	Inside Length (mm)
SPA875	893	875	830
SPA882	900	882	837
SPA900	918	900	855
SPA907	925	907	862
SPA925	943	925	880
SPA932	950	932	887

SPA - SECTION

Part No	Outside Length (mm)	Pitch Length (mm)	Inside Length (mm)
SPA950	968	950	905
SPA957	975	957	912
SPA967	985	967	922
SPA975	993	975	930
SPA982	1000	982	937
SPA1000	1018	1000	955
SPA1007	1025	1007	962
SPA1020	1038	1020	975
SPA1030	1048	1030	985
SPA1032	1050	1032	987
SPA1060	1078	1060	1015
SPA1082	1100	1082	1037
SPA1090	1108	1090	1045
SPA1107	1125	1107	1062
SPA1120	1138	1120	1075
SPA1132	1150	1132	1087
SPA1140	1158	1140	1095
SPA1150	1168	1150	1105
SPA1157	1175	1157	1112
SPA1180	1198	1180	1135
SPA1200	1218	1200	1155
SPA1207	1225	1207	1162
SPA1215	1233	1215	1170
SPA1220	1238	1220	1175
SPA1232	1250	1232	1187
SPA1250	1268	1250	1205
SPA1257	1275	1257	1212
SPA1272	1290	1272	1227
SPA1280	1298	1280	1235
SPA1282	1300	1282	1237
SPA1300	1318	1300	1255
SPA1307	1325	1307	1262
SPA1320	1338	1320	1275
SPA1332	1350	1332	1287
SPA1357	1375	1357	1312
SPA1360	1378	1360	1315
SPA1382	1400	1382	1337
SPA1400	1418	1400	1355
SPA1407	1425	1407	1362
SPA1425	1443	1425	1380
SPA1432	1450	1432	1387
SPA1450	1468	1450	1405
SPA1457	1475	1457	1412
SPA1482	1500	1482	1437
SPA1500	1518	1500	1455

Part No	Outside Length (mm)	Pitch Length (mm)	Inside Length (mm)
SPA1507	1525	1507	1462
SPA1532	1550	1532	1487
SPA1550	1568	1550	1505
SPA1557	1575	1557	1512
SPA1560	1578	1560	1515
SPA1582	1600	1582	1537
SPA1600	1618	1600	1555
SPA1607	1625	1607	1562
SPA1632	1650	1632	1587
SPA1650	1668	1650	1605
SPA1657	1675	1657	1612
SPA1682	1700	1682	1637
SPA1700	1718	1700	1655
SPA1707	1725	1707	1662
SPA1732	1750	1732	1687
SPA1740	1758	1740	1695
SPA1750	1768	1750	1705
SPA1757	1775	1757	1712
SPA1782	1800	1782	1737
SPA1800	1818	1800	1755
SPA1807	1825	1807	1762
SPA1832	1850	1832	1787
SPA1850	1868	1850	1805
SPA1857	1875	1857	1812
SPA1882	1900	1882	1837
SPA1900	1918	1900	1855
SPA1907	1925	1907	1862
SPA1925	1943	1925	1880
SPA1932	1950	1932	1887
SPA1950	1968	1950	1905
SPA1957	1975	1957	1912
SPA1982	2000	1982	1937
SPA2000	2018	2000	1955
SPA2032	2050	2032	1987
SPA2057	2075	2057	2012
SPA2060	2078	2060	2015
SPA2067	2085	2067	2022
SPA2080	2098	2080	2035
SPA2082	2100	2082	2037
SPA2120	2138	2120	2075
SPA2132	2150	2132	2087
SPA2160	2178	2160	2115
SPA2180	2198	2180	2135
SPA2182	2200	2182	2137
SPA2207	2225	2207	2162

Part No	Outside Length (mm)	Pitch Length (mm)	Inside Length (mm)
SPA2232	2250	2232	2187
SPA2240	2258	2240	2195
SPA2282	2300	2282	2237
SPA2300	2318	2300	2255
SPA2307	2325	2307	2262
SPA2332	2350	2332	2287
SPA2360	2378	2360	2315
SPA2382	2400	2382	2337
SPA2430	2448	2430	2385
SPA2432	2450	2432	2387
SPA2437	2455	2437	2392
SPA2450	2468	2450	2405
SPA2482	2500	2482	2437
SPA2500	2518	2500	2455
SPA2532	2550	2532	2487
SPA2550	2568	2550	2505
SPA2580	2598	2580	2535
SPA2582	2600	2582	2537
SPA2607	2625	2607	2562
SPA2632	2650	2632	2587
SPA2650	2668	2650	2605
SPA2682	2700	2682	2637
SPA2720	2738	2720	2675
SPA2732	2750	2732	2687
SPA2782	2800	2782	2737
SPA2800	2818	2800	2755
SPA2832	2850	2832	2787
SPA2847	2865	2847	2802
SPA2882	2900	2882	2837
SPA2900	2918	2900	2855
SPA2932	2950	2932	2887
SPA3170	3188	3170	3125
SPA3182	3200	3182	3137
SPA3250	3268	3250	3205
SPA3282	3300	3282	3237
SPA3350	3368	3350	3305
SPA3382	3400	3382	3337
SPA3450	3468	3450	3405
SPA3550	3568	3550	3505
SPA3650	3668	3650	3605
SPA3750	3768	3750	3705
SPA4000	4018	4000	3955
SPA4250	4268	4250	4205
SPA4500	4518	4500	4455

SPB - SECTION

Part No	Outside Length (mm)	Pitch Length (mm)	Inside Length (mm)
SPB1250	1272	1250	1190
SPB1260	1282	1260	1200
SPB1320	1342	1320	1260
SPB1340	1362	1340	1280
SPB1360	1382	1360	1300
SPB1400	1422	1400	1340
SPB1410	1432	1410	1350
SPB1450	1472	1450	1390
SPB1500	1522	1500	1440
SPB1510	1532	1510	1450
SPB1550	1572	1550	1490
SPB1580	1602	1580	1520
SPB1590	1612	1590	1530
SPB1600	1622	1600	1540
SPB1650	1672	1650	1590
SPB1690	1712	1690	1630
SPB1700	1722	1700	1640
SPB1725	1747	1725	1665
SPB1750	1772	1750	1690
SPB1775	1797	1775	1715
SPB1800	1822	1800	1740
SPB1850	1872	1850	1790
SPB1860	1882	1860	1800
SPB1900	1922	1900	1840
SPB1950	1972	1950	1890
SPB1980	2002	1980	1920
SPB2000	2022	2000	1940
SPB2020	2042	2020	1960
SPB2060	2082	2060	2000
SPB2098	2120	2098	2038
SPB2120	2142	2120	2060
SPB2150	2172	2150	2090
SPB2180	2202	2180	2120
SPB2200	2222	2200	2140
SPB2240	2262	2240	2180

Part No	Outside Length (mm)	Pitch Length (mm)	Inside Length (mm)
SPB2264	2286	2264	2204
SPB2280	2302	2280	2220
SPB2300	2322	2300	2240
SPB2360	2382	2360	2300
SPB2391	2413	2391	2331
SPB2410	2432	2410	2350
SPB2425	2447	2425	2365
SPB2430	2452	2430	2370
SPB2450	2472	2450	2390
SPB2500	2522	2500	2440
SPB2530	2552	2530	2470
SPB2580	2602	2580	2520
SPB2600	2622	2600	2540
SPB2650	2672	2650	2590
SPB2680	2702	2680	2620
SPB2720	2742	2720	2660
SPB2730	2752	2730	2670
SPB2750	2772	2750	2690
SPB2780	2802	2780	2720
SPB2800	2822	2800	2740
SPB2840	2862	2840	2780
SPB2850	2872	2850	2790
SPB2900	2922	2900	2840
SPB2950	2972	2950	2890
SPB2990	3012	2990	2930
SPB3000	3022	3000	2940
SPB3070	3092	3070	3010
SPB3150	3172	3150	3090
SPB3170	3192	3170	3110
SPB3250	3272	3250	3190
SPB3320	3342	3320	3260
SPB3340	3362	3340	3280
SPB3350	3372	3350	3290
SPB3400	3422	3400	3340
SPB3450	3472	3450	3390

Part No	Outside Length (mm)	Pitch Length (mm)	Inside Length (mm)
SPB3500	3522	3500	3440
SPB3504	3526	3504	3444
SPB3550	3572	3550	3490
SPB3600	3622	3600	3540
SPB3650	3672	3650	3590
SPB3700	3722	3700	3640
SPB3750	3772	3750	3690
SPB3800	3822	3800	3740
SPB3870	3892	3870	3810
SPB4000	4022	4000	3940
SPB4060	4082	4060	4000
SPB4120	4142	4120	4060
SPB4250	4272	4250	4190
SPB4310	4332	4310	4250
SPB4370	4392	4370	4310
SPB4500	4522	4500	4440
SPB4560	4582	4560	4500
SPB4750	4772	4750	4690
SPB4820	4842	4820	4760
SPB4870	4892	4870	4810
SPB5000	5022	5000	4940
SPB5070	5092	5070	5010
SPB5300	5322	5300	5240
SPB5380	5402	5380	5320
SPB5600	5622	5600	5540
SPB5680	5702	5680	5620
SPB6000	6022	6000	5940
SPB6300	6322	6300	6240
SPB6700	6722	6700	6640
SPB7100	7122	7100	7040
SPB7500	7522	7500	7440
SPB8000	8022	8000	7940

SPC - SECTION

Part No	Outside Length (mm)	Pitch Length (mm)	Inside Length (mm)
SPC1700	1730	1700	1617
SPC2000	2030	2000	1917
SPC2120	2150	2120	2037
SPC2240	2270	2240	2157
SPC2360	2390	2360	2277
SPC2500	2530	2500	2417

Part No	Outside Length (mm)	Pitch Length (mm)	Inside Length (mm)
SPC2650	2680	2650	2567
SPC2700	2730	2700	2617
SPC2800	2830	2800	2717
SPC2850	2880	2850	2767
SPC2900	2930	2900	2817
SPC3000	3030	3000	2917

Part No	Outside Length (mm)	Pitch Length (mm)	Inside Length (mm)
SPC3080	3110	3080	2997
SPC3100	3130	3100	3017
SPC3150	3180	3150	3067
SPC3200	3230	3200	3117
SPC3350	3380	3350	3267
SPC3450	3480	3450	3367

SPC - SECTION

Part No	Outside Length (mm)	Pitch Length (mm)	Inside Length (mm)
SPC3500	3530	3500	3417
SPC3550	3580	3550	3467
SPC3750	3780	3750	3667
SPC3800	3830	3800	3717
SPC3810	3840	3810	3727
SPC3830	3860	3830	3747
SPC3912	3942	3912	3829
SPC3940	3970	3940	3857
SPC4000	4030	4000	3917
SPC4100	4130	4100	4017
SPC4250	4280	4250	4167
SPC4400	4430	4400	4317
SPC4500	4530	4500	4417

Part No	Outside Length (mm)	Pitch Length (mm)	Inside Length (mm)
SPC4750	4780	4750	4667
SPC5000	5030	5000	4917
SPC5300	5330	5300	5217
SPC5600	5630	5600	5517
SPC5700	5730	5700	5617
SPC5750	5780	5750	5667
SPC6000	6030	6000	5917
SPC6300	6330	6300	6217
SPC6500	6530	6500	6417
SPC6700	6730	6700	6617
SPC7100	7130	7100	7017
SPC7500	7530	7500	7417
SPC7800	7830	7800	7717

Part No	Outside Length (mm)	Pitch Length (mm)	Inside Length (mm)
SPC8000	8030	8000	7917
SPC8500	8530	8500	8417
SPC9000	9030	9000	8917
SPC9500	9530	9500	9417
SPC10000	10030	10000	9917
SPC10600	10630	10600	10517
SPC11200	11230	11200	11117
SPC11800	11830	11800	11717
SPC12000	12030	12000	11917
SPC12500	12530	12500	12417
SPC12800	12830	12800	12717
SPC14000	14030	14000	13917





V & WEDGE BELTS



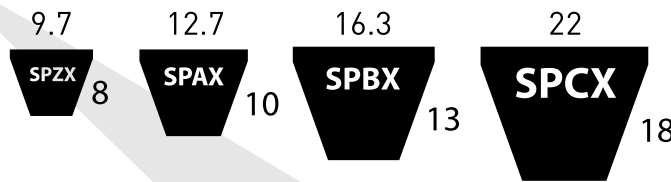
WEDGE BELTS RAW EDGE COGGED

Description

Raw Edge Cogged Wedge Belts are high performance and are designated by letters standing for their cross-section, e.g. SPAX followed by a number e.g. 1600 which specifies the belts pitch length L_p in mm. They enable; resistance to repeated flexing, compact drives, reduced weight, cost savings, small pulley diameters and high drive ratios.

They are manufactured in the cross-sections SPZX, SPAX, SPBX and SPCX in a range of over 300 lengths and are static conductive to ISO1813.

Dunlop V-belts have specially treated jackets to give superior anti-static, heat and oil-resistant properties and are static conductive to ISO1813.



SPZX - SECTION

Part No	Outside Length (mm)	Pitch Length (mm)	Inside Length (mm)
SPZX512	525	512	474
SPZX562	575	562	524
SPZX587	600	587	549
SPZX600	613	600	562
SPZX612	625	612	574
SPZX630	643	630	592
SPZX637	650	637	599
SPZX660	673	660	622
SPZX662	675	662	624
SPZX670	683	670	632
SPZX687	700	687	649
SPZX710	723	710	672
SPZX722	735	722	684
SPZX725	738	725	687
SPZX730	743	730	692
SPZX737	750	737	699
SPZX750	763	750	712
SPZX762	775	762	724
SPZX772	785	772	734
SPZX787	800	787	749
SPZX800	813	800	762
SPZX812	825	812	774
SPZX817	830	817	779
SPZX825	838	825	787
SPZX837	850	837	799
SPZX850	863	850	812
SPZX862	875	862	824
SPZX875	888	875	837

Part No	Outside Length (mm)	Pitch Length (mm)	Inside Length (mm)
SPZX887	900	887	849
SPZX900	913	900	862
SPZX912	925	912	874
SPZX917	930	917	879
SPZX925	938	925	887
SPZX937	950	937	899
SPZX950	963	950	912
SPZX962	975	962	924
SPZX975	988	975	937
SPZX987	1000	987	949
SPZX1000	1013	1000	962
SPZX1012	1025	1012	974
SPZX1030	1043	1030	992
SPZX1037	1050	1037	999
SPZX1047	1060	1047	1009
SPZX1057	1070	1057	1019
SPZX1060	1073	1060	1022
SPZX1062	1075	1062	1024
SPZX1077	1090	1077	1039
SPZX1080	1093	1080	1042
SPZX1087	1100	1087	1049
SPZX1110	1123	1110	1072
SPZX1112	1125	1112	1074
SPZX1120	1133	1120	1082
SPZX1137	1150	1137	1099
SPZX1140	1153	1140	1102
SPZX1150	1163	1150	1112
SPZX1162	1175	1162	1124

Part No	Outside Length (mm)	Pitch Length (mm)	Inside Length (mm)
SPZX1180	1193	1180	1142
SPZX1187	1200	1187	1149
SPZX1202	1215	1202	1164
SPZX1212	1225	1212	1174
SPZX1220	1233	1220	1182
SPZX1237	1250	1237	1199
SPZX1250	1263	1250	1212
SPZX1262	1275	1262	1224
SPZX1270	1283	1270	1232
SPZX1280	1293	1280	1242
SPZX1287	1300	1287	1249
SPZX1312	1325	1312	1274
SPZX1320	1333	1320	1282
SPZX1337	1350	1337	1299
SPZX1340	1353	1340	1302
SPZX1360	1373	1360	1322
SPZX1362	1375	1362	1324
SPZX1387	1400	1387	1349
SPZX1400	1413	1400	1362
SPZX1412	1425	1412	1374
SPZX1420	1433	1420	1382
SPZX1437	1450	1437	1399
SPZX1450	1463	1450	1412
SPZX1462	1475	1462	1424
SPZX1470	1483	1470	1432
SPZX1487	1500	1487	1449
SPZX1500	1513	1500	1462
SPZX1512	1525	1512	1474

SPZX - SECTION continued

Part No	Outside Length (mm)	Pitch Length (mm)	Inside Length (mm)	Part No	Outside Length (mm)	Pitch Length (mm)	Inside Length (mm)	Part No	Outside Length (mm)	Pitch Length (mm)	Inside Length (mm)
SPZX1520	1533	1520	1482	SPZX1850	1863	1850	1812	SPZX2410	2423	2410	2372
SPZX1537	1550	1537	1499	SPZX1900	1913	1900	1862	SPZX2500	2513	2500	2462
SPZX1550	1563	1550	1512	SPZX1950	1963	1950	1912	SPZX2540	2553	2540	2502
SPZX1560	1573	1560	1522	SPZX2000	2013	2000	1962	SPZX2650	2663	2650	2612
SPZX1587	1600	1587	1549	SPZX2030	2043	2030	1992	SPZX2690	2703	2690	2652
SPZX1600	1613	1600	1562	SPZX2040	2053	2040	2002	SPZX2800	2813	2800	2762
SPZX1612	1625	1612	1574	SPZX2080	2093	2080	2042	SPZX2840	2853	2840	2802
SPZX1650	1663	1650	1612	SPZX2120	2133	2120	2082	SPZX3000	3013	3000	2962
SPZX1662	1675	1662	1624	SPZX2160	2173	2160	2122	SPZX3150	3163	3150	3112
SPZX1700	1713	1700	1662	SPZX2200	2213	2200	2162	SPZX3170	3183	3170	3132
SPZX1750	1763	1750	1712	SPZX2240	2253	2240	2202	SPZX3350	3363	3350	3312
SPZX1762	1775	1762	1724	SPZX2280	2293	2280	2242	SPZX3550	3563	3550	3512
SPZX1800	1813	1800	1762	SPZX2360	2373	2360	2322				

SPAX - SECTION

Part No	Outside Length (mm)	Pitch Length (mm)	Inside Length (mm)	Part No	Outside Length (mm)	Pitch Length (mm)	Inside Length (mm)	Part No	Outside Length (mm)	Pitch Length (mm)	Inside Length (mm)
SPAX667	685	667	622	SPAX1057	1075	1057	1012	SPAX1400	1418	1400	1355
SPAX682	700	682	637	SPAX1060	1078	1060	1015	SPAX1407	1425	1407	1362
SPAX732	750	732	687	SPAX1082	1100	1082	1037	SPAX1420	1438	1420	1375
SPAX750	768	750	705	SPAX1090	1108	1090	1045	SPAX1425	1443	1425	1380
SPAX757	775	757	712	SPAX1107	1125	1107	1062	SPAX1432	1450	1432	1387
SPAX775	793	775	730	SPAX1120	1138	1120	1075	SPAX1442	1460	1442	1397
SPAX782	800	782	737	SPAX1132	1150	1132	1087	SPAX1450	1468	1450	1405
SPAX800	818	800	755	SPAX1142	1160	1142	1097	SPAX1457	1475	1457	1412
SPAX807	825	807	762	SPAX1150	1168	1150	1105	SPAX1462	1480	1462	1417
SPAX825	843	825	780	SPAX1157	1175	1157	1112	SPAX1482	1500	1482	1437
SPAX832	850	832	787	SPAX1170	1188	1170	1125	SPAX1500	1518	1500	1455
SPAX850	868	850	805	SPAX1172	1190	1172	1127	SPAX1507	1525	1507	1462
SPAX857	875	857	812	SPAX1180	1198	1180	1135	SPAX1522	1540	1522	1477
SPAX882	900	882	837	SPAX1182	1200	1182	1137	SPAX1532	1550	1532	1487
SPAX900	918	900	855	SPAX1207	1225	1207	1162	SPAX1550	1568	1550	1505
SPAX907	925	907	862	SPAX1232	1250	1232	1187	SPAX1557	1575	1557	1512
SPAX925	943	925	880	SPAX1250	1268	1250	1205	SPAX1575	1593	1575	1530
SPAX932	950	932	887	SPAX1257	1275	1257	1212	SPAX1582	1600	1582	1537
SPAX950	968	950	905	SPAX1272	1290	1272	1227	SPAX1600	1618	1600	1555
SPAX957	975	957	912	SPAX1280	1298	1280	1235	SPAX1607	1625	1607	1562
SPAX969	987	969	924	SPAX1282	1300	1282	1237	SPAX1632	1650	1632	1587
SPAX975	993	975	930	SPAX1307	1325	1307	1262	SPAX1650	1668	1650	1605
SPAX982	1000	982	937	SPAX1320	1338	1320	1275	SPAX1682	1700	1682	1637
SPAX1000	1018	1000	955	SPAX1332	1350	1332	1287	SPAX1700	1718	1700	1655
SPAX1007	1025	1007	962	SPAX1357	1375	1357	1312	SPAX1732	1750	1732	1687
SPAX1030	1048	1030	985	SPAX1360	1378	1360	1315	SPAX1750	1768	1750	1705
SPAX1032	1050	1032	987	SPAX1382	1400	1382	1337	SPAX1757	1775	1757	1712

SPAX - SECTION continued

Part No	Outside Length (mm)	Pitch Length (mm)	Inside Length (mm)	Part No	Outside Length (mm)	Pitch Length (mm)	Inside Length (mm)	Part No	Outside Length (mm)	Pitch Length (mm)	Inside Length (mm)
SPAX1782	1800	1782	1737	SPAX2160	2178	2160	2115	SPAX2720	2738	2720	2675
SPAX1800	1818	1800	1755	SPAX2180	2198	2180	2135	SPAX2730	2748	2730	2685
SPAX1832	1850	1832	1787	SPAX2240	2258	2240	2195	SPAX2732	2750	2732	2687
SPAX1850	1868	1850	1805	SPAX2282	2300	2282	2237	SPAX2782	2800	2782	2737
SPAX1900	1918	1900	1855	SPAX2300	2318	2300	2255	SPAX2800	2818	2800	2755
SPAX1932	1950	1932	1887	SPAX2360	2378	2360	2315	SPAX2900	2918	2900	2855
SPAX1950	1968	1950	1905	SPAX2432	2450	2432	2387	SPAX3000	3018	3000	2955
SPAX1957	1975	1957	1912	SPAX2482	2500	2482	2437	SPAX3150	3168	3150	3105
SPAX1982	2000	1982	1937	SPAX2500	2518	2500	2455	SPAX3350	3368	3350	3305
SPAX2000	2018	2000	1955	SPAX2532	2550	2532	2487	SPAX3550	3568	3550	3505
SPAX2032	2050	2032	1987	SPAX2580	2598	2580	2535	SPAX3750	3768	3750	3705
SPAX2057	2075	2057	2012	SPAX2607	2625	2607	2562	SPAX4000	4018	4000	3955
SPAX2060	2078	2060	2015	SPAX2632	2650	2632	2587	SPAX4250	4268	4250	4205
SPAX2082	2100	2082	2037	SPAX2650	2668	2650	2605	SPAX4500	4518	4500	4455
SPAX2120	2138	2120	2075	SPAX2682	2700	2682	2637				

SPBX - SECTION

Part No	Outside Length (mm)	Pitch Length (mm)	Inside Length (mm)	Part No	Outside Length (mm)	Pitch Length (mm)	Inside Length (mm)	Part No	Outside Length (mm)	Pitch Length (mm)	Inside Length (mm)
SPBX1000	1022	1000	940	SPBX2150	2172	2150	2090	SPBX4500	4522	4500	4440
SPBX1060	1082	1060	1000	SPBX2240	2262	2240	2180	SPBX4750	4772	4750	4690
SPBX1120	1142	1120	1060	SPBX2280	2302	2280	2220	SPBX5000	5022	5000	4940
SPBX1180	1202	1180	1120	SPBX2360	2382	2360	2300				
SPBX1250	1272	1250	1190	SPBX2410	2432	2410	2350				
SPBX1260	1282	1260	1200	SPBX2500	2522	2500	2440				
SPBX1320	1342	1320	1260	SPBX2530	2552	2530	2470				
SPBX1340	1362	1340	1280	SPBX2650	2672	2650	2590				
SPBX1400	1422	1400	1340	SPBX2680	2702	2680	2620				
SPBX1410	1432	1410	1350	SPBX2800	2822	2800	2740				
SPBX1450	1472	1450	1390	SPBX2840	2862	2840	2780				
SPBX1500	1522	1500	1440	SPBX2900	2922	2900	2840				
SPBX1510	1532	1510	1450	SPBX2990	3012	2990	2930				
SPBX1550	1572	1550	1490	SPBX3000	3022	3000	2940				
SPBX1590	1612	1590	1530	SPBX3080	3102	3080	3020				
SPBX1600	1622	1600	1540	SPBX3150	3172	3150	3090				
SPBX1650	1672	1650	1590	SPBX3170	3192	3170	3110				
SPBX1690	1712	1690	1630	SPBX3250	3272	3250	3190				
SPBX1700	1722	1700	1640	SPBX3340	3362	3340	3280				
SPBX1800	1822	1800	1740	SPBX3350	3372	3350	3290				
SPBX1850	1872	1850	1790	SPBX3550	3572	3550	3490				
SPBX1900	1922	1900	1840	SPBX3750	3772	3750	3690				
SPBX1950	1972	1950	1890	SPBX3800	3822	3800	3740				
SPBX2000	2022	2000	1940	SPBX4000	4022	4000	3940				
SPBX2020	2042	2020	1960	SPBX4060	4082	4060	4000				
SPBX2120	2142	2120	2060	SPBX4250	4272	4250	4190				

SPCX - SECTION

Part No	Outside Length (mm)	Pitch Length (mm)	Inside Length (mm)
SPCX2000	2030	2000	1917
SPCX2120	2150	2120	2037
SPCX2240	2270	2240	2157
SPCX2360	2390	2360	2277
SPCX2500	2530	2500	2417
SPCX2650	2680	2650	2567
SPCX2800	2830	2800	2717
SPCX3000	3030	3000	2917
SPCX3150	3180	3150	3067
SPCX3350	3380	3350	3267
SPCX3550	3580	3550	3467
SPCX3750	3780	3750	3667
SPCX4000	4030	4000	3917
SPCX4250	4280	4250	4167
SPCX4500	4530	4500	4417
SPCX4750	4780	4750	4667
SPCX5000	5030	5000	4917


English

Español

Italiano

Deutsch

Français

Nederlands

Polskie
Engineering Data Taper Bore
40

Agujero cónico de los datos de ingeniería • Ingegneria dei dati Taper Bore
 Technik Daten konische Bohrung • Alésage conique de données ingénierie
 Pozostałe dane techniczne Taper Bore

V-Pulleys Taper Bore
42

Agujero cónico V-poleas • V-pulegge cono del foro • V-Riemenscheiben
 konische Bohrung • Alésage conique V-poulies • V-riemschijven Taper droeg
 V- pasowe otwór stożkowy

Engineering Data Pilot Bore
65

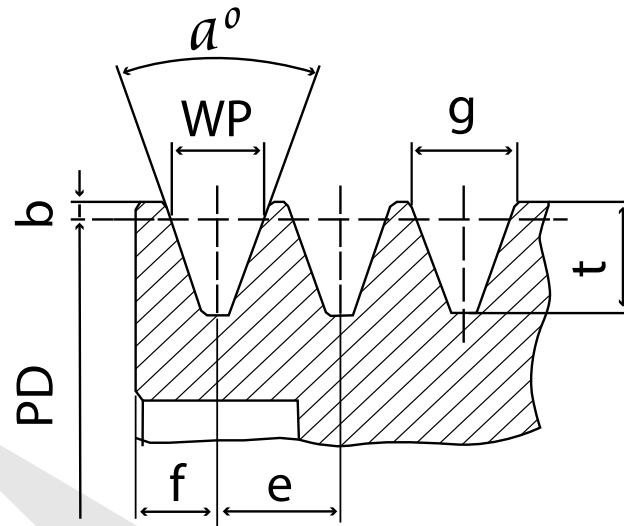
Piloto de datos de ingeniería del alesaje • Ingegneria dei dati foro pilota
 Technische Daten Pilotbohrung • Pilote de données d'ingénierie d'alésage
 Technische gegevens piloot boring • Średnica Inżynieria danych Pilot

V-Pulleys Pilot Bore
67

Agujero piloto V-poleas • V-pulegge foro pilota • V-Riemenscheiben
 Pilotbohrung • V-poulies alésage pilote • V-riemschijven piloot boring
 Średnica koła pasowe V- Pilot



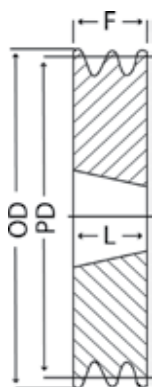
ENGINEERING DATA V-PULLEYS TAPER BORE



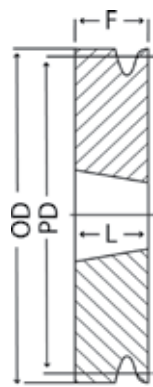
DIMENSIONS OF V-PULLEYS TAPER BORE

Groove Profile	WP	b	t	e	f	PD	Angle a° (mm)	g (mm)
SPZ	8.5	2.0	11.0	12±0.3	8.0±0.6	≤80	34±1	9.72
						>80	38±1	9.88
SPA	11.0	2.8	13.8	15±0.3	10.0±0.6	≤118	34±1	12.68
						>118	38±1	12.89
SPB	14.0	3.5	17.5	19±0.4	12.5±0.8	≤190	34±1	16.14
						>190	38±1	16.41
SPC	19.0	4.8	23.8	25.5±0.5	17.0±1	≤315	34±0.5	21.94
						>315	38±0.5	22.31

V-PULLEYS TYPES TAPER BORE



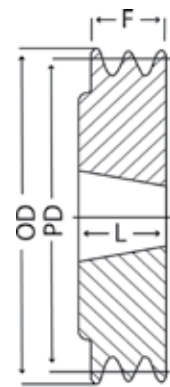
Type 1



Type 2

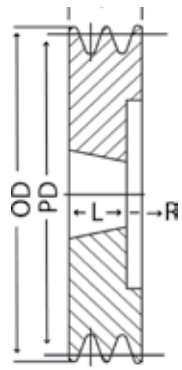


Type 3

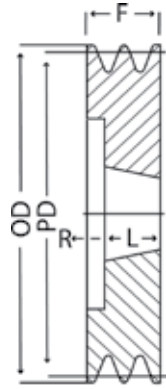


Type 4

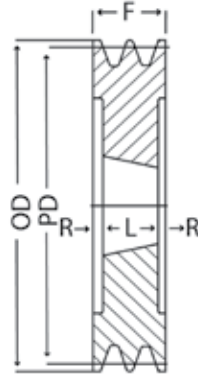
V-PULLEYS TYPES TAPER BORE continued



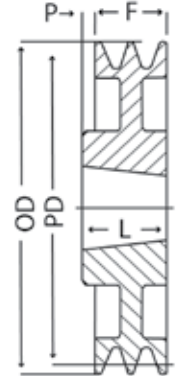
Type 5



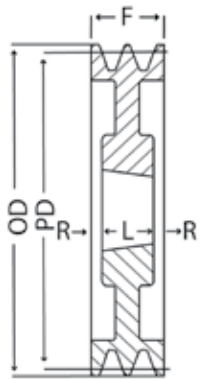
Type 6



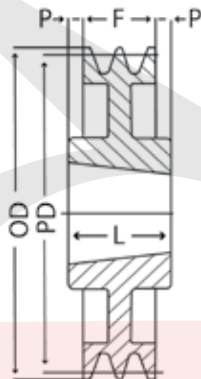
Type 7



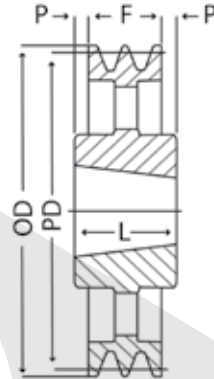
Type 8



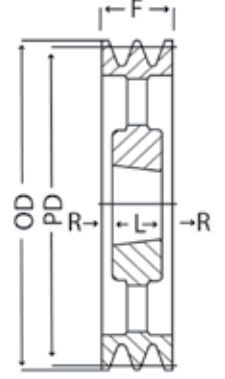
Type 9



Type 10



Type 11



Type 12



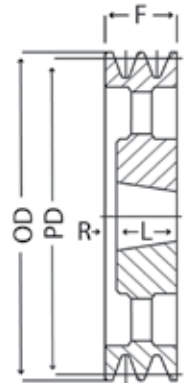
Type 13



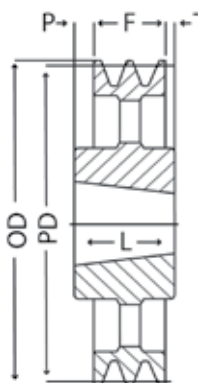
Type 15



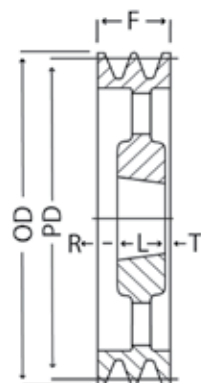
Type 15 - 1



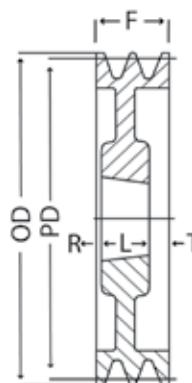
Type 16



Type 17



Type 18



Type 19



V PULLEYS



V-PULLEYS TAPER BORE

Description

Dunlop V-pulleys are manufactured from cast iron EN-GJL-200 UNI EN1561 and are black phosphated according to ISO 4183 and DIN 2211-3 norms. All pulleys are statically balanced for peripheral speeds up to 35 m/sec.

V-Pulleys are available to suit all V & wedge belts cross sections Z, A, B, C, SPZ, SPA, SPB & SPC and are available from stock in both taper and pilot bore options.

Part numbers are identified by 3 letters (e.g. SPA) which represents the belt cross section, a 3 or 4 digit number (e.g. 250) the pulleys pitch diameter and a 1 or 2 digit number (e.g. 3) the number of grooves/belts to be run in the drive, for example SPA250/3.

SPZ - SECTION

Part No.	Type	Bush No.	PD (mm)	OD (mm)	Dimensions (mm)			
					F	L	R	P
SPZ 50 X 1	3	1008	50	54	38	24	14	-
SPZ 50 X 2	3	1008	50	54	50	24	26	-
SPZ 56 X 1	3	1008	56	60	37	24	13	-
SPZ 56 X 2	3	1008	56	60	49	24	25	-
SPZ 56 X 3	3	1108	56	60	61	23	38	-
SPZ 60 X 1	2	1008	60	64	22	22	-	-
SPZ 60 X 2	3	1108	60	64	49	22	27	-
SPZ 60 X 3	3	1108	60	64	61	23	38	-
SPZ 63 X 1	4	1108	63	67	16	22	-	-
SPZ 63 X 2	5	1108	63	67	28	22	6	-
SPZ 63 X 3	5	1108	63	67	40	22	18	-
SPZ 63 X 4	5	1108	63	67	52	22	30	-
SPZ 67 X 1	4	1108	67	71	16	22	-	-
SPZ 67 X 2	5	1108	67	71	28	22	6	-
SPZ 67 X 3	5	1108	67	71	40	22	18	-
SPZ 67 X 4	5	1108	67	71	52	22	30	-
SPZ 71 X 1	4	1108	71	75	16	22	-	-
SPZ 71 X 2	5	1108	71	75	28	22	6	-
SPZ 71 X 3	5	1108	71	75	40	22	18	-
SPZ 71 X 4	5	1108	71	75	52	22	30	-
SPZ 71 X 5	5	1108	71	75	64	22	42	-
SPZ 75 X 1	4	1108	75	79	16	22	-	-
SPZ 75 X 2	5	1210	75	79	28	25	3	-
SPZ 75 X 3	5	1210	75	79	40	25	15	-
SPZ 75 X 4	5	1210	75	79	52	25	27	-
SPZ 80 X 1	4	1210	80	84	16	25	-	-
SPZ 80 X 2	5	1210	80	84	28	25	3	-
SPZ 80 X 3	5	1210	80	84	40	25	15	-
SPZ 80 X 4	5	1210	80	84	42	25	27	-
SPZ 85 X 1	5	1610	85	89	28	25	3	-
SPZ 85 X 2	5	1610	85	89	40	25	15	-
SPZ 85 X 3	5	1610	85	89	52	25	27	-
SPZ 85 X 4	5	1610	85	89	64	25	39	-

SPZ - SECTION continued

Part No.	Type	Bush No.	PD (mm)	OD (mm)	Dimensions (mm)			
					F	L	R	P
SPZ 90 X 1	4	1210	90	94	16	25	-	-
SPZ 90 X 2	5	1610	90	94	28	25	3	-
SPZ 90 X 3	5	1610	90	94	40	25	15	-
SPZ 90 X 4	5	1610	90	94	52	25	27	-
SPZ 90 X 5	5	1610	90	94	64	25	39	-
SPZ 90 X 6	5	1610	90	94	76	25	51	-
SPZ 95 X 1	4	1210	95	99	16	25	-	-
SPZ 95 X 2	5	1610	95	99	28	25	3	-
SPZ 95 X 3	5	1610	95	99	40	25	15	-
SPZ 95 X 4	5	1610	95	99	52	25	27	-
SPZ 95 X 5	5	1610	95	99	64	25	39	-
SPZ 95 X 6	5	1610	95	99	76	25	51	-
SPZ 100 X 1	4	1210	100	104	16	5	-	-
SPZ 100 X 2	5	1610	100	104	28	25	3	-
SPZ 100 X 3	5	1610	100	104	40	25	15	-
SPZ 100 X 4	5	1610	100	104	52	25	27	-
SPZ 100 X 5	5	2012	100	104	64	32	32	-
SPZ 100 X 6	5	2012	100	104	76	32	44	-
SPZ 106 X 1	4	1610	106	110	16	25	-	-
SPZ 106 X 2	5	1610	106	110	28	25	3	-
SPZ 106 X 3	5	1610	106	110	40	25	15	-
SPZ 106 X 4	5	1610	106	110	52	25	27	-
SPZ 106 X 5	5	2012	106	110	64	32	32	-
SPZ 106 X 6	5	2012	106	110	76	32	44	-
SPZ 112 X 1	4	1610	112	116	16	25	-	-
SPZ 112 X 2	5	1610	112	116	28	25	3	-
SPZ 112 X 3	5	2012	112	116	40	32	8	-
SPZ 112 X 4	5	2012	112	116	52	32	20	-
SPZ 112 X 5	5	2012	112	116	64	32	32	-
SPZ 112 X 6	5	2012	112	116	76	32	44	-
SPZ 118 X 1	4	1610	118	122	16	25	-	-
SPZ 118 X 2	5	1610	118	122	28	25	3	-
SPZ 118 X 3	5	2012	118	122	40	32	8	-
SPZ 118 X 5	5	2012	118	122	64	32	32	-
SPZ 118 X 6	5	2517	118	122	76	45	31	-
SPZ 125 X 1	4	1610	125	129	16	25	-	-
SPZ 125 X 2	5	1610	125	129	28	25	3	-
SPZ 125 X 3	6	2012	125	129	40	32	8	-
SPZ 125 X 4	6	2012	125	129	52	32	20	-
SPZ 125 X 5	5	2012	125	129	64	32	32	-
SPZ 125 X 6	5	2517	125	129	76	45	31	-
SPZ 132 X 1	4	1610	132	136	16	25	-	-
SPZ 132 X 2	5	1610	132	136	28	25	3	-
SPZ 132 X 3	6	2012	132	136	40	32	8	-
SPZ 132 X 4	6	2012	132	136	52	32	20	-
SPZ 132 X 5	5	2517	132	136	64	45	19	-

SPZ - SECTION continued

Part No.	Type	Bush No.	PD (mm)	OD (mm)	Dimensions (mm)			
					F	L	R	P
SPZ 132 X 6	5	2517	132	136	76	45	31	-
SPZ 132 X 8	7	2517	132	136	100	45	27.5	-
SPZ 140 X 1	8	1610	140	144	16	25	-	9
SPZ 140 X 2	5	1610	140	144	28	25	3	-
SPZ 140 X 3	6	2012	140	144	40	32	8	-
SPZ 140 X 4	6	2012	140	144	52	32	20	-
SPZ 140 X 5	6	2517	140	144	64	45	19	-
SPZ 140 X 6	6	2517	140	144	76	45	31	-
SPZ 140 X 8	7	2517	140	144	100	45	27.5	-
SPZ 150 X 1	8	1610	150	154	16	25	-	9
SPZ 150 X 2	4	2012	150	154	28	32	-	
SPZ 150 X 3	6	2012	150	154	40	32	8	
SPZ 150 X 4	6	2517	150	154	52	45	7	
SPZ 150 X 5	6	2517	150	154	64	45	19	
SPZ 150 X 6	6	2517	150	154	76	45	31	
SPZ 150 X 8	7	2517	150	154	100	45	27.5	
SPZ 160 X 1	8	1610	160	164	16	25	-	9
SPZ 160 X 2	8	2012	160	164	28	32	-	4
SPZ 160 X 3	6	2012	160	164	40	32	8	-
SPZ 160 X 4	6	2517	160	164	52	45	7	-
SPZ 160 X 5	6	2517	160	164	64	45	19	-
SPZ 160 X 6	6	2517	160	164	76	45	31	-
SPZ 160 X 8	7	2517	160	164	100	45	27.5	-
SPZ 170 X 1	8	1610	170	174	16	25	-	9
SPZ 170 X 2	8	2012	170	174	28	32	-	4
SPZ 170 X 3	7	2012	170	174	40	32	4	-
SPZ 170 X 4	6	2517	170	174	52	45	7	-
SPZ 170 X 5	6	2517	170	174	64	45	19	-
SPZ 170 X 6	6	2517	170	174	76	45	31	-
SPZ 180 X 1	8	1610	180	184	16	25	-	9
SPZ 180 X 2	8	2012	180	184	28	32	-	4
SPZ 180 X 3	15	2012	180	184	40	32	8	-
SPZ 180 X 4	6	2517	180	184	52	45	7	-
SPZ 180 X 5	6	2517	180	184	64	45	19	-
SPZ 180 X 6	7	2517	180	184	76	45	15.5	-
SPZ 180 X 8	7	2517	180	184	100	45	27.5	-
SPZ 190 X 1	8	1610	190	194	16	25	-	9
SPZ 190 X 2	8	2012	190	194	28	32	-	4
SPZ 190 X 3	9	2012	190	194	40	32	4	-
SPZ 190 X 4	9	2517	190	194	52	45	3.5	-
SPZ 190 X 5	9	2517	190	194	64	45	9.5	-
SPZ 190 X 6	9	2517	190	194	76	45	15.5	-
SPZ 200 X 1	8	2012	200	204	16	32	-	16
SPZ 200 X 2	8	2012	200	204	28	32	-	4
SPZ 200 X 3	9	2012	200	204	40	32	4	-
SPZ 200 X 4	9	2517	200	204	52	45	3.5	-

SPZ - SECTION continued

Part No.	Type	Bush No.	PD (mm)	OD (mm)	Dimensions (mm)			
					F	L	R	P
SPZ 200 X 5	9	2517	200	204	52	45	3.5	-
SPZ 200 X 6	9	2517	200	204	76	45	15.5	-
SPZ 200 X 8	7	3020	200	204	100	51	24.5	-
SPZ 212 X 1	8	2012	212	216	16	32	-	16
SPZ 212 X 2	8	2012	212	216	28	32	-	4
SPZ 212 X 3	9	2012	212	216	40	32	4	-
SPZ 212 X 4	9	2517	212	216	52	45	3.5	-
SPZ 212 X 5	9	2517	212	216	64	45	9.5	-
SPZ 212 X 6	9	2517	212	216	76	45	15.5	-
SPZ 224 X 1	13	2012	224	228	16	32	-	16
SPZ 224 X 2	13	2012	224	228	28	32	-	4
SPZ 224 X 3	9	2012	224	228	40	32	4	-
SPZ 224 X 4	9	2517	224	228	52	45	3.5	-
SPZ 224 X 5	9	2517	224	228	64	45	9.5	-
SPZ 224 X 6	9	2517	224	228	76	45	15.5	-
SPZ 224 X 8	7	3020	224	228	100	51	24.5	-
SPZ 250 X 1	11	2012	250	254	16	32	-	8
SPZ 250 X 2	11	2012	250	254	28	32	-	2
SPZ 250 X 3	12	2012	250	254	40	32	4	-
SPZ 250 X 4	9	2517	250	254	52	45	3.5	-
SPZ 250 X 5	9	2517	250	254	64	45	9.5	-
SPZ 250 X 6	9	2517	250	254	76	45	15.5	-
SPZ 280 X 1	11	2012	280	284	16	32	-	8
SPZ 280 X 2	11	2012	280	284	28	32	-	2
SPZ 280 X 3	11	2517	280	284	40	45	-	2.5
SPZ 280 X 4	12	2517	280	284	52	45	3.5	-
SPZ 280 X 5	12	2517	280	284	64	45	9.5	-
SPZ 280 X 6	12	2517	280	284	76	45	15.5	-
SPZ 315 X 1	11	2012	315	319	16	32	-	8
SPZ 315 X 2	11	2012	315	319	28	32	-	2
SPZ 315 X 3	11	2517	315	319	40	45	-	2.5
SPZ 315 X 4	12	2517	315	319	52	45	3.5	-
SPZ 315 X 5	12	2517	315	319	64	45	9.5	-
SPZ 315 X 6	12	2517	315	319	76	45	15.5	-
SPZ 355 X 1	11	2012	355	359	16	32	-	8
SPZ 355 X 2	11	2012	355	359	28	32	-	2
SPZ 355 X 3	11	2517	355	359	40	45	-	2.5
SPZ 355 X 4	12	2517	355	359	52	45	3.5	-
SPZ 355 X 5	12	2517	355	359	64	45	9.5	-
SPZ 355 X 6	12	2517	355	359	76	45	15.5	-
SPZ 400 X 1	11	2012	400	404	16	32	-	8
SPZ 400 X 2	11	2517	400	404	28	45	-	8.5
SPZ 400 X 3	11	2517	400	404	40	45	-	2.5
SPZ 400 X 4	12	2517	400	404	52	45	3.5	-
SPZ 400 X 5	12	3020	400	404	64	51	6.5	-
SPZ 400 X 6	11	3030	400	404	76	76	-	0

SPZ - SECTION continued

Part No.	Type	Bush No	PD (mm)	OD (mm)	Dimensions (mm)			
					F	L	R	P
SPZ 400 X 6 — R	12	3020	400	404	76	51	12.5	-
SPZ 450 X 2	11	2517	450	454	28	-	-	8.5
SPZ 450 X 3	11	2517	450	454	40	-	-	2.5
SPZ 450 X 4	12	3020	450	454	52	-	0.5	-
SPZ 450 X 5	12	3020	450	454	64	-	6.5	-
SPZ 450 X 6	11	3030	450	454	76	-	-	-
SPZ 450 X 6 — R	12	3020	450	454	76	-	12.5	-
SPZ 500 X 2	11	2517	500	504	28	45	-	8.5
SPZ 500 X 3	11	2517	500	504	40	45	-	2.5
SPZ 500 X 4	12	3020	500	504	52	51	0.5	-
SPZ 500 X 5	11	3030	500	504	64	76	-	6
SPZ 500 X 5 — R	12	3020	500	504	64	51	6.5	-
SPZ 500 X 6	11	3030	500	504	76	76	-	0
SPZ 500 X 6 — R	12	3020	500	504	76	51	12.5	-
SPZ 500 X 8	12	3535	500	504	100	89	5.5	-
SPZ 560 X 3	13	2517	560	564	40	45	-	5
SPZ 560 X 4	12	3020	560	564	52	51	0.5	-
SPZ 560 X 5	11	3030	560	564	64	76	-	6
SPZ 630 X 2	11	3020	630	634	28	51	-	11.5
SPZ 630 X 3	11	3020	630	634	40	51	-	5.5
SPZ 630 X 4	11	3030	630	634	52	76	-	12
SPZ 630 X 4 — R	12	3020	630	634	52	51	0.5	-
SPZ 630 X 5	11	3030	630	634	64	76	-	6
SPZ 630 X 6	11	3535	630	634	76	89	-	6.5
SPZ 800 X 3	11	3020	800	804	40	51	-	5.5
SPZ 800 X 4	11	3030	800	804	52	76	-	12

SPA - SECTION

Part No.	Type	Bush No.	PD (mm)	OD (mm)	Dimensions (mm)			
					F	L	R	P
SPA 63 X 1	4	1008	63	68.6	20	22	-	-
SPA 63 X 2	5	1008	63	68.6	35	22	13	-
SPA 67 X 1	4	1108	67	72.6	20	22	-	-
SPA 67 X 2	5	1108	67	72.6	35	22	13	-
SPA 71 X 1	4	1108	71	76.6	20	22	-	-
SPA 71 X 2	5	1108	71	76.6	35	22	13	-
SPA 71 X 3	5	1108	71	76.6	50	22	28	-
SPA 75 X 1	4	1108	75	80.6	20	22	-	-
SPA 75 X 2	5	1108	75	80.6	35	22	13	-
SPA 75 X 3	5	1108	75	80.6	50	22	28	-
SPA 80 X 1	4	1210	80	85.6	20	25	-	-
SPA 80 X 2	5	1210	80	85.6	35	25	10	-
SPA 80 X 3	5	1210	80	85.6	50	25	25	-
SPA 80 X 4	5	1215	80	85.6	65	38	27	-
SPA 80 X 4 — R	5	1210	80	85.6	65	25	40	-

SPA - SECTION

Part No.	Type	Bush No.	PD (mm)	OD (mm)	Dimensions (mm)			
					F	L	R	P
SPA 85 X 1	4	1210	85	90.6	20	25	-	-
SPA 85 X 2	5	1210	85	90.6	35	25	10	-
SPA 85 X 3	5	1210	85	90.6	50	25	25	-
SPA 85 X 4	5	1215	85	90.6	65	38	27	-
SPA 85 X 4 — R	5	1210	85	90.6	65	25	40	-
SPA 90 X 1	4	1210	90	95.6	20	25	-	5
SPA 90 X 2	5	1610	90	95.6	35	25	10	-
SPA 90 X 3	5	1610	90	95.6	50	25	25	-
SPA 90 X 4	5	1615	90	95.6	65	38	27	-
SPA 90 X 4 — R	5	1610	90	95.6	65	25	40	-
SPA 90 X 5	5	1615	90	95.6	80	38	42	-
SPA 95 X 1	4	1210	95	100.6	20	25	-	-
SPA 95 X 2	5	1610	95	100.6	35	25	10	-
SPA 95 X 3	5	1610	95	100.6	50	25	25	-
SPA 95 X 4	5	1615	95	100.6	65	38	27	-
SPA 95 X 5	5	1615	95	100.6	80	38	42	-
SPA 100 X 1	4	1610	100	105.6	20	25	-	-
SPA 100 X 2	5	1610	100	105.6	35	25	10	-
SPA 100 X 3	6	1610	100	105.6	50	25	25	-
SPA 100 X 4	6	1615	100	105.6	65	38	27	-
SPA 100 X 5	6	1615	100	105.6	80	38	42	-
SPA 100 X 6	7	1610	100	105.6	95	25	35	-
SPA 106 X 1	4	1610	106	111.6	20	25	-	-
SPA 106 X 2	5	1610	106	111.6	35	25	10	-
SPA 106 X 3	6	1610	106	111.6	50	25	25	-
SPA 106 X 4	5	2012	106	111.6	65	32	33	-
SPA 106 X 5	5	2012	106	111.6	80	32	48	-
SPA 106 X 6	5	2012	106	111.6	95	32	63	-
SPA 112 X 1	4	1610	112	117.6	20	25	-	-
SPA 112 X 2	5	1610	112	117.6	35	25	10	-
SPA 112 X 3	5	2012	112	117.6	50	32	18	-
SPA 112 X 4	5	2012	112	117.6	65	32	33	-
SPA 112 X 5	5	2012	112	117.6	80	32	48	-
SPA 112 X 6	5	2012	112	117.6	95	32	63	-
SPA 118 X 1	4	1610	118	123.6	20	25	-	-
SPA 118 X 2	5	1610	118	123.6	35	25	10	-
SPA 118 X 3	6	2012	118	123.6	50	32	18	-
SPA 118 X 4	6	2012	118	123.6	65	32	33	-
SPA 118 X 5	6	2012	118	123.6	80	32	48	-
SPA 118 X 6	5	2012	118	123.6	95	32	63	-
SPA 125 X 1	4	1610	125	130.6	20	25	-	-
SPA 125 X 2	5	1610	125	130.6	35	25	10	-
SPA 125 X 3	6	2012	125	130.6	50	32	18	-
SPA 125 X 4	6	2012	125	130.6	65	32	33	-
SPA 125 X 5	7	2012	125	130.6	80	32	24	-
SPA 125 X 6	7	2012	125	130.6	95	32	31.5	-

SPA - SECTION continued

Part No.	Type	Bush No.	PD (mm)	OD (mm)	Dimensions (mm)			
					F	L	R	P
SPA 132 X 1	4	1610	132	137.6	20	25	-	-
SPA 132 X 2	5	2012	132	137.6	35	32	3	-
SPA 132 X 3	6	2012	132	137.6	50	32	18	-
SPA 132 X 4	6	2517	132	137.6	65	45	20	-
SPA 132 X 5	7	2517	132	137.6	80	45	17.5	-
SPA 132 X 6	7	2517	132	137.6	95	45	25	-
SPA 140 X 1	4	1610	140	145.6	20	25	-	-
SPA 140 X 2	5	2012	140	145.6	35	32	3	-
SPA 140 X 3	5	2517	140	145.6	50	45	5	-
SPA 140 X 4	6	2517	140	145.6	65	45	20	-
SPA 140 X 5	7	2517	140	145.6	80	45	17.5	-
SPA 140 X 6	7	2517	140	145.6	95	45	25	-
SPA 150 X 1	8	1610	150	155.6	20	25	-	5
SPA 150 X 2	5	2012	150	155.6	35	32	3	-
SPA 150 X 3	5	2517	150	155.6	50	45	5	-
SPA 150 X 4	6	2517	150	155.6	65	45	20	-
SPA 150 X 5	7	2517	150	155.6	80	45	17.5	-
SPA 150 X 6	7	2517	150	155.6	95	45	25	-
SPA 160 X 1	8	1610	160	165.6	20	25	-	5
SPA 160 X 2	5	2012	160	165.6	35	32	3	-
SPA 160 X 3	5	2517	160	165.6	50	45	5	-
SPA 160 X 4	6	2517	160	165.6	65	45	20	-
SPA 170 X 1	8	1610	170	175.6	20	25	-	5
SPA 170 X 2	15-1	2012	170	175.6	35	32	3	-
SPA 170 X 3	5	2517	170	175.6	50	45	5	-
SPA 170 X 4	6	2517	170	175.6	65	45	20	-
SPA 170 X 5	7	2517	170	175.6	80	45	17.5	-
SPA 170 X 6	7	2517	170	175.6	95	45	25	-
SPA 180 X 1	8	1610	180	185.6	20	25	-	5
SPA 180 X 2	9	2012	180	185.6	35	32	1.5	-
SPA 180 X 3	5	2517	180	185.6	50	45	5	-
SPA 180 X 4	6	2517	180	185.6	65	45	20	-
SPA 180 X 5	7	3020	180	185.6	80	51	14.5	-
SPA 180 X 6	7	3020	180	185.6	95	51	22	-
SPA 190 X 1	8	1610	190	195.6	20	25	-	5
SPA 190 X 2	15	2012	190	195.6	35	32	3	-
SPA 190 X 3	5	2517	190	195.6	50	45	5	-
SPA 190 X 4	6	2517	190	195.6	65	45	20	-
SPA 190 X 5	6	3020	190	195.6	80	51	29	-
SPA 190 X 6	7	3020	190	195.6	95	51	22	-
SPA 200 X 1	8	2012	200	205.6	20	32	-	12
SPA 200 X 2	10	2517	200	205.6	35	45	-	5
SPA 200 X 3	9	2517	200	205.6	50	45	2.5	-
SPA 200 X 4	6	3020	200	205.6	65	51	14	-
SPA 200 X 5	7	3020	200	205.6	80	51	14.5	-
SPA 200 X 6	7	3020	200	205.6	95	51	22	-

SPA - SECTION continued

Part No.	Type	Bush No.	PD (mm)	OD (mm)	Dimensions (mm)			
					F	L	R	P
SPA 212 X 1	8	2012	212	217.6	20	32	-	-
SPA 212 X 2	8	2517	212	217.6	35	45	-	-
SPA 212 X 3	9	2517	212	217.6	50	45	2.5	-
SPA 212 X 4	6	3020	212	217.6	65	51	14	-
SPA 212 X 5	6	3020	212	217.6	80	51	29	-
SPA 212 X 6	7	3020	212	217.6	95	51	22	-
SPA 224 X 1	13	2012	224	229.6	20	32	-	12
SPA 224 X 2	13	2517	224	229.6	35	45	-	10
SPA 224 X 3	12	2517	224	229.6	50	45	2.5	-
SPA 224 X 4	6	3020	224	229.6	65	51	14	-
SPA 224 X 5	6	3020	224	229.6	80	51	29	-
SPA 224 X 6	7	3020	224	229.6	95	51	22	-
SPA 236 X 1	13	2012	236	241.6	20	32	-	12
SPA 236 X 2	13	2517	236	241.6	35	45	-	10
SPA 236 X 3	12	2517	236	241.6	50	45	2.5	-
SPA 236 X 4	9	3020	236	241.6	65	51	7	-
SPA 236 X 5	9	3020	236	241.6	80	51	14.5	-
SPA 236 X 6	9	3020	236	241.6	95	51	22	-
SPA 250 X 1	11	2012	250	255.6	20	32	-	6
SPA 250 X 2	11	2517	250	255.6	35	45	-	5
SPA 250 X 3	12	2517	250	255.6	50	45	2.5	-
SPA 250 X 4	9	3020	250	255.6	65	51	7	-
SPA 250 X 5	9	3020	250	255.6	80	51	14.5	-
SPA 250 X 6	9	3020	250	255.6	95	51	22	-
SPA 280 X 1	13	2012	280	285.6	20	32	-	12
SPA 280 X 2	13	2517	280	285.6	35	45	-	10
SPA 280 X 3	12	2517	280	285.6	50	45	2.5	-
SPA 280 X 4	12	3020	280	285.6	65	51	7	-
SPA 280 X 5	10	3535	280	285.6	80	89	-	4.5
SPA 280 X 5 — R	9	3525	280	285.6	80	65	7.5	-
SPA 280 X 6	9	3535	280	285.6	95	89	3	-
SPA 280 X 6 — R	9	3525	280	285.6	95	65	15	-
SPA 300 X 1	13	2012	300	305.6	20	32	-	12
SPA 300 X 2	13	2517	300	305.6	35	45	-	10
SPA 300 X 3	13	3020	300	305.6	50	51	-	1
SPA 300 X 4	12	3020	300	305.6	65	51	7	-
SPA 300 X 5	8	3535	300	305.6	80	89	-	9
SPA 300 X 5 — R	9	3525	300	305.6	80	65	7.5	-
SPA 300 X 6	9	3535	300	305.6	95	89	3	-
SPA 300 X 6 — R	9	3525	300	305.6	95	65	15	-
SPA 315 X 1	13	2012	315	320.6	20	32	-	12
SPA 315 X 2	13	2517	315	320.6	35	45	-	10
SPA 315 X 3	11	3020	315	320.6	50	51	-	0.5
SPA 315 X 4	12	3020	315	320.6	65	51	7	-
SPA 315 X 5	10	3535	315	320.6	80	89	-	4.5

SPA - SECTION continued

Part No.	Type	Bush No.	PD (mm)	OD (mm)	Dimensions (mm)			
					F	L	R	P
SPA 315 X 5 — R	9	3525	315	320.6	80	65	7.5	-
SPA 315 X 6	9	3535	315	320.6	95	89	3	
SPA 315 X 6 — R	9	3525	315	320.6	95	65	15	-
SPA 355 X 1	13	2012	355	360.6	20	32	-	12
SPA 355 X 2	13	2517	355	360.6	35	45	-	10
SPA 355 X 3	11	3020	355	360.6	50	51	-	0.5
SPA 355 X 4	12	3020	355	360.6	65	51	7	-
SPA 355 X 5	11	3535	355	360.6	80	89	-	4.5
SPA 355 X 5 — R	12	3525	355	360.6	80	65	7.5	-
SPA 355 X 6	12	3535	355	360.6	95	89	3	-
SPA 355 X 6 — R	12	3525	355	360.6	95	65	15	-
SPA 400 X 1	13	2012	400	405.6	20	32	-	12
SPA 400 X 2	13	2517	400	405.6	35	45	-	10
SPA 400 X 3	13	3020	400	405.6	50	51	-	1
SPA 400 X 4	12	3020	400	405.6	65	51	7	-
SPA 400 X 5	11	3535	400	405.6	80	89	-	4.5
SPA 400 X 5 — R	12	3525	400	405.6	80	65	7.5	-
SPA 400 X 6	12	3535	400	405.6	95	89	3	-
SPA 400 X 6 — R	12	3525	400	405.6	95	65	15	-
SPA 450 X 1	13	2012	450	455.6	20	32	-	12
SPA 450 X 2	13	2517	450	455.6	35	45	-	10
SPA 450 X 3	13	3020	450	455.6	50	51	-	1
SPA 450 X 4	12	3020	450	455.6	65	51	7	-
SPA 450 X 5	11	3535	450	455.6	80	89	-	4.5
SPA 450 X 5 — R	12	3525	450	455.6	80	65	7.5	-
SPA 450 X 6	12	3535	450	455.6	95	89	3	-
SPA 450 X 6 — R	12	3525	450	455.6	95	65	15	-
SPA 500 X 1	13	2517	500	505.6	20	45	-	25
SPA 500 X 2	13	2517	500	505.6	35	45	-	10
SPA 500 X 3	13	3020	500	505.6	50	51	-	1
SPA 500 X 4	12	3020	500	505.6	65	51	7	-
SPA 500 X 5	11	3535	500	505.6	80	89	-	4.5
SPA 500 X 5 — R	12	3525	500	505.6	80	65	7.5	-
SPA 500 X 6	12	3535	500	505.6	95	89	3	-
SPA 500 X 6 — R	12	3525	500	505.6	95	65	15	-
SPA 560 X 2	13	3020	560	565.6	35	51	-	16
SPA 560 X 3	13	3020	560	565.6	50	51	-	1
SPA 560 X 4	11	3535	560	565.6	65	89	-	12
SPA 560 X 4 — R	12	3525	560	565.6	65	65	0	-
SPA 560 X 5	11	3535	560	565.6	80	89	-	4.5
SPA 560 X 6	12	3535	560	565.6	95	89	3	-
SPA 630 X 1	11	2517	630	635.6	20	45	-	12.5
SPA 630 X 2	11	3020	630	635.6	35	51	-	8
SPA 630 X 3	13	3020	630	635.6	50	51	-	1
SPA 630 X 4	11	3535	630	635.6	65	89	-	12

SPA - SECTION continued

Part No.	Type	Bush No.	PD (mm)	OD (mm)	Dimensions (mm)			
					F	L	R	P
SPA 630 X 4 — R	12	3525	630	635.6	65	65	0	-
SPA 630 X 5	11	3535	630	635.6	80	89	-	4.5
SPA 630 X 5 — R	12	3525	630	635.6	80	65	7.5	-
SPA 630 X 6	11	4040	630	635.6	95	102	-	3.5
SPA 630 X 6 — R	12	4030	630	635.6	95	76	9.5	-
SPA 800 X 2	11	3535	800	805.6	35	89	-	27
SPA 800 X 3	11	3535	800	805.6	50	89	-	19.5
SPA 800 X 3 — R	11	3525	800	805.6	50	65	-	7.5
SPA 800 X 4	11	3535	800	805.6	65	89	-	12
SPA 800 X 4 — R	12	3525	800	805.6	65	65	0	-
SPA 800 X 5	11	4040	800	805.6	80	102	-	11
SPA 800 X 5 — R	12	4030	800	805.6	80	76	2	-
SPA 800 X 6	11	4040	800	805.6	95	102	-	3.5
SPA 800 X 6 — R	12	4030	800	805.6	95	76	9.5	-

SPB - SECTION

Part No.	Type	Bush No.	PD (mm)	OD (mm)	Dimensions (mm)			
					F	L	R	P
SPB 80 X 1	5	1108	80	87	25	22	3	-
SPB 80 X 2	5	1108	80	87	44	22	22	-
SPB 85 X 1	5	1108	85	92	25	22	3	-
SPB 85 X 2	5	1108	85	92	44	22	22	-
SPB 90 X 1	1	1210	90	97	25	25	-	-
SPB 90 X 2	5	1108	90	97	44	22	22	-
SPB 90 X 3	5	1210	90	97	63	25	38	-
SPB 95 X 1	1	1210	95	102	25	25	-	-
SPB 95 X 2	5	1210	95	102	44	25	19	-
SPB 95 X 3	5	1210	95	102	63	25	38	-
SPB 100 X 1	1	1610	100	107	25	25	-	-
SPB 100 X 2	5	1610	100	107	44	25	19	-
SPB 100 X 3	5	1610	100	107	63	25	38	-
SPB 100 X 4	5	1615	100	107	82	38	44	-
SPB 106 X 1	1	1610	106	113	25	25	-	-
SPB 106 X 2	5	1610	106	113	44	25	19	-
SPB 106 X 3	5	1610	106	113	63	25	38	-
SPB 106 X 4	5	1615	106	113	82	38	44	-
SPB 112 X 1	1	1610	112	119	25	25	-	-
SPB 112 X 2	5	1610	112	119	44	25	19	-
SPB 112 X 3	5	1610	112	119				-
SPB 112 X 4	5	2012	112	119	82	32	50	-
SPB 118 X 1	1	1610	118	125	25	25	-	-
SPB 118 X 2	6	1610	118	125	44	25	19	-
SPB 118 X 3	6	1610	118	125	63	25	38	-
SPB 118 X 4	5	2012	118	125	82	32	50	-

SPB - SECTION

Part No.	Type	Bush No.	PD (mm)	OD (mm)	Dimensions (mm)			
					F	L	R	P
SPB 125 X 1	1	1610	125	132	25	25	-	-
SPB 125 X 2	6	2012	125	132	44	32	12	-
SPB 125 X 3	6	2012	125	132	63	32	31	-
SPB 125 X 4	7	2012	125	132	82	32	25	-
SPB 125 X 5	5	2012	125	132	101	32	69	-
SPB 132 X 1	1	1610	132	139	25	25	-	-
SPB 132 X 2	6	2012	132	139	44	32	12	-
SPB 132 X 3	6	2012	132	139	63	32	31	-
SPB 132 X 4	7	2012	132	139	82	32	25	-
SPB 132 X 5	5	2517	132	139	101	45	56	-
SPB 132 X 6	7	2012	132	139	120	32	44	-
SPB 140 X 1	1	1610	140	147	25	25	-	-
SPB 140 X 2	6	2012	140	147	44	32	12	-
SPB 140 X 3	6	2012	140	147	63	32	31	-
SPB 140 X 4	7	2517	140	147	82	45	18.5	-
SPB 140 X 5	7	2517	140	147	101	45	28	-
SPB 140 X 6	7	2517	140	147	120	45	37.5	-
SPB 140 X 8	7	2517	140	147	158	45	56.5	-
SPB 150 X 1	10	1610	150	157	25	25	-	0
SPB 150 X 2	6	2012	150	157	44	32	12	-
SPB 150 X 3	6	2517	150	157	63	45	18	-
SPB 150 X 4	7	2517	150	157	82	45	18.5	-
SPB 150 X 5	7	2517	150	157	101	45	28	-
SPB 150 X 6	7	2517	150	157	120	45	37.5	-
SPB 160 X 1	10	1610	160	167	25	25	-	0
SPB 160 X 2	6	2012	160	167	44	32	12	-
SPB 160 X 3	6	2517	160	167	63	45	18	-
SPB 160 X 4	7	2517	160	167	82	45	18.5	-
SPB 160 X 5	7	2517	160	167	101	45	28	-
SPB 160 X 6	7	3020	160	167	120	51	34.5	-
SPB 160 X 8	7	3020	160	167	158	51	53.5	-
SPB 170 X 1	10	1610	170	177	25	25	-	0
SPB 170 X 2	6	2012	170	177	44	32	12	-
SPB 170 X 3	6	2517	170	177	63	45	18	-
SPB 170 X 4	7	2517	170	177	82	45	18.5	-
SPB 170 X 5	7	3020	170	177	101	51	25	-
SPB 170 X 6	7	3020	170	177	120	51	34.5	-
SPB 170 X 8	7	3030	170	177	158	76	41	-
SPB 170 X 8 — R	7	3020	170	177	158	51	53.5	-
SPB 180 X 1	10	1610	180	187	25	25	-	0
SPB 180 X 2	4	2517	180	187	44	45	-	-
SPB 180 X 3	6	2517	180	187	63	45	18	-
SPB 180 X 4	7	2517	180	187	82	45	18.5	-
SPB 180 X 5	7	3020	180	187	101	51	25	-
SPB 180 X 6	7	3020	180	187	120	51	34.5	-

SPB - SECTION continued

Part No.	Type	Bush No.	PD (mm)	OD (mm)	Dimensions (mm)			
					F	L	R	P
SPB 180 X 8	7	3030	180	187	158	76	41	-
SPB 180 X 8 — R	7	3020	180	187	158	51	53.5	-
SPB 190 X 1	10	2012	190	197	25	32	-	3.5
SPB 190 X 2	4	2517	190	197	44	45	-	-
SPB 190 X 3	6	2517	190	197	63	45	18	-
SPB 190 X 4	7	2517	190	197	82	45	18.5	-
SPB 190 X 5	7	3020	190	197	101	51	25	-
SPB 190 X 6	7	3020	190	197	120	51	34.5	-
SPB 190 X 8	7	3030	190	197	158	76	41	-
SPB 190 X 8 — R	7	3020	190	197	158	51	53.5	-
SPB 190 X 10	7	3535	190	197	196	89	53.5	-
SPB 200 X 1	10	2012	200	207	25	32	-	3.5
SPB 200 X 2	8	2517	200	207	44	45	-	1
SPB 200 X 3	6	2517	200	207	63	45	18	-
SPB 200 X 4	7	3020	200	207	82	51	15.5	-
SPB 200 X 5	7	3020	200	207	101	51	25	-
SPB 200 X 6	7	3020	200	207	120	51	34.5	-
SPB 200 X 8	7	3535	200	207	158	89	34.5	-
SPB 200 X 8 — R	7	3525	200	207	158	65	46.5	-
SPB 212 X 1	10	2012	212	219	25	32	-	3.5
SPB 212 X 2	8	2517	212	219	44	45	-	1
SPB 212 X 3	15	2517	212	219	63	45	18	-
SPB 212 X 4	7	3020	212	219	82	51	15.5	-
SPB 212 X 5	7	3020	212	219	101	51	25	-
SPB 212 X 6	7	3525	212	219	120	89	15.5	-
SPB 212 X 6 — R	7	3525	212	219	120	65	27.5	-
SPB 212 X 8	7	3525	212	219	158	89	34.5	-
SPB 212 X 8 — R	7	3525	212	219	158	65	46.5	-
SPB 212 X 10	7	3535	212	219	196	89	53.5	-
SPB 212 X 12	7	3535	212	219	234	89	72.5	-
SPB 224 X 1	10	2012	224	231	25	32	-	3.5
SPB 224 X 2	8	2517	224	231	44	45	-	1
SPB 224 X 3	15	2517	224	231	63	45	18	-
SPB 224 X 4	7	3020	224	231	82	51	15.5	-
SPB 224 X 5	7	3020	224	231	101	51	25	-
SPB 224 X 6	7	3535	224	231	120	89	15.5	-
SPB 224 X 6 — R	7	3525	224	231	120	65	27.5	-
SPB 224 X 8	7	3535	224	231	158	89	34.5	-
SPB 224 X 8 — R	7	3525	224	231	158	65	46.5	-
SPB 224 X 10	7	3535	224	231	196	89	53.5	-
SPB 236 X 1	10	2012	236	243	25	32	-	3.5
SPB 236 X 2	8	2517	236	243	44	45	-	1
SPB 236 X 3	15	2517	236	243	63	45	18	-
SPB 236 X 4	9	3020	236	243	82	51	15.5	-
SPB 236 X 5	7	3535	236	243	101	89	6	-

SPB - SECTION continued

Part No.	Type	Bush No.	PD (mm)	OD (mm)	Dimensions (mm)			
					F	L	R	P
SPB 236 X 5 — R	7	3525	236	243	101	65	18	-
SPB 236 X 6	7	3535	236	243	120	89	15.5	-
SPB 236 X 6 — R	7	3525	236	243	120	65	27.5	-
SPB 236 X 8	7	3535	236	243	158	89	34.5	-
SPB 236 X 8 — R	7	3525	236	243	158	65	46.5	-
SPB 236 X 10	7	3535	236	243	196	89	53.5	-
SPB 250 X 1	10	2012	250	257	25	32	-	3.5
SPB 250 X 2	8	2517	250	257	44	45	-	1
SPB 250 X 3	15	3020	250	257	63	51	12	-
SPB 250 X 4	9	3020	250	257	82	51	15.5	-
SPB 250 X 5	7	3535	250	257	101	89	6	-
SPB 250 X 5 — R	7	3525	250	257	101	65	18	-
SPB 250 X 6	7	3535	250	257	120	89	15.5	-
SPB 250 X 6 — R	7	3525	250	257	120	65	27.5	-
SPB 250 X 8	7	3535	250	257	158	89	34.5	-
SPB 250 X 8 — R	7	3525	250	257	158	65	46.5	-
SPB 250 X 10	7	3535	250	257	196	89	53.5	-
SPB 250 X 10 — R	7	3525	250	257	196	65	65.5	-
SPB 265 X 1	13	2012	265	272	25	32	-	7
SPB 265 X 2	13	2517	265	272	44	45	-	1
SPB 265 X 3	9	3020	265	272	63	51	6	-
SPB 265 X 4	9	3020	265	272	82	51	15.5	-
SPB 265 X 5	7	3535	265	272	101	89	6	-
SPB 265 X 6	7	3535	265	272	120	89	15.5	-
SPB 265 X 6 — R	7	3525	265	272	120	65	27.5	-
SPB 265 X 8	7	3535	265	272	158	89	34.5	-
SPB 265 X 8 — R	7	3525	265	272	158	65	46.5	-
SPB 280 X 1	11	2012	280	287	25	32	-	3.5
SPB 280 X 2	13	2517	280	287	44	45	-	1
SPB 280 X 3	12	3020	280	287	63	51	6	-
SPB 280 X 4	9	3020	280	287	82	51	15.5	-
SPB 280 X 5	9	3535	280	287	101	89	6	-
SPB 280 X 5 — R	9	3525	280	287	101	65	18	-
SPB 280 X 6	9	3535	280	287	120	89	15.5	-
SPB 280 X 6 — R	9	3525	280	287	120	65	27.5	-
SPB 280 X 8	9	3535	280	287	158	89	34.5	-
SPB 280 X 8 — R	9	3525	280	287	158	65	46.5	-
SPB 280 X 10	9	3535	280	287	196	89	53.5	-
SPB 280 X 10 — R	9	3525	280	287	196	65	65.5	-
SPB 300 X 1	13	2012	300	307	25	32	-	7
SPB 300 X 2	13	2517	300	307	44	45	-	1
SPB 300 X 3	12	3020	300	307	63	51	6	-
SPB 300 X 4	8	3535	300	307	82	89	-	7
SPB 300 X 4 — R	9	3525	300	307	82	65	8.5	-
SPB 300 X 5	9	3535	300	307	101	89	6	-

SPB - SECTION continued

Part No.	Type	Bush No.	PD (mm)	OD (mm)	Dimensions (mm)			
					F	L	R	P
SPB 300 X 5 — R	9	3525	300	307	101	65	18	-
SPB 300 X 6	9	3535	300	307	120	89	15.5	-
SPB 300 X 6 — R	9	3525	300	307	120	65	27.5	-
SPB 300 X 8	9	3535	300	307	158	89	34.5	-
SPB 300 X 8 — R	9	3525	300	307	158	65	46.5	-
SPB 300 X 10	9	3535	300	307	196	89	53.5	-
SPB 315 X 1	11	2012	315	322	25	32	-	3.5
SPB 315 X 2	13	2517	315	322	44	45	-	1
SPB 315 X 3	12	3020	315	322	63	51	6	-
SPB 315 X 4	11	3535	315	322	82	89	-	3.5
SPB 315 X 4 — R	12	3525	315	322	82	65	8.5	-
SPB 315 X 5	9	3535	315	322	101	89	6	-
SPB 315 X 5 — R	9	3525	315	322	101	65	18	-
SPB 315 X 6	9	3535	315	322	120	89	15.5	-
SPB 315 X 6 — R	9	3525	315	322	120	65	27.5	-
SPB 315 X 8	9	3535	315	322	158	89	34.5	-
SPB 315 X 8 — R	9	3525	315	322	158	65	46.5	-
SPB 315 X 10	9	3535	315	322	196	89	53.5	-
SPB 335 X 1	11	2517	335	342	25	45	-	10
SPB 335 X 2	13	2517	335	342	44	45	-	1
SPB 335 X 3	12	3020	335	342	63	51	6	-
SPB 335 X 4	11	3535	335	342	82	89	-	3.5
SPB 335 X 4 — R	12	3525	335	342	82	65	8.5	-
SPB 335 X 5	9	3535	335	342	101	89	6	-
SPB 335 X 5 — R	9	3525	335	342	101	65	18	-
SPB 335 X 6	9	3535	335	342	120	89	15.5	-
SPB 335 X 6 — R	9	3525	335	342	120	65	27.5	-
SPB 335 X 8	9	3535	335	342	158	89	34.5	-
SPB 335 X 8 — R	9	3525	335	342	158	65	46.5	-
SPB 335 X 10	9	3535	335	342	196	89	53.5	-
SPB 355 X 2	11	3020	355	362	44	51	-	3.5
SPB 355 X 3	12	3020	355	362	63	51	6	-
SPB 355 X 4	11	3535	355	362	82	89	-	3.5
SPB 355 X 5	9	3535	355	362	101	89	6	-
SPB 355 X 5 — R	9	3525	355	362	101	65	18	-
SPB 355 X 6	9	3535	355	362	120	89	15.5	-
SPB 355 X 6 — R	9	3525	355	362	120	65	27.5	-
SPB 355 X 8	9	3535	355	362	158	89	34.5	-
SPB 355 X 8 — R	9	3525	355	362	158	65	46.5	-
SPB 355 X 10	9	4040	355	362	196	102	47	-
SPB 400 X 1	11	2517	400	407	25	45	-	10
SPB 400 X 2	11	3020	400	407	44	51	-	3.5
SPB 400 X 3	11	3535	400	407	63	89	-	13
SPB 400 X 4	11	3535	400	407	82	89	-	3.5
SPB 400 X 5	12	3535	400	407	101	89	6	-

SPB - SECTION continued

Part No.	Type	Bush No.	PD (mm)	OD (mm)	Dimensions (mm)			
					F	L	R	P
SPB 400 X 5 — R	12	3525	400	407	101	65	18	-
SPB 400 X 6	12	3535	400	407	120	89	15.5	-
SPB 400 X 6 — R	12	3525	400	407	120	65	27.5	-
SPB 400 X 8	9	4040	400	407	158	102	28	-
SPB 400 X 8 — R	9	3525	400	407	158	65	46.5	-
SPB 400 X 10	9	4040	400	407	196	102	47	-
SPB 450 X 2	11	3020	450	457	44	51	-	3.5
SPB 450 X 3	13	3535	450	457	63	89	-	26
SPB 450 X 3 — R	13	3525	450	457	63	65	-	2
SPB 450 X 4	13	3535	450	457	82	89	-	7
SPB 450 X 4 — R	16	3525	450	457	82	65	17	-
SPB 450 X 5	16	3535	450	457	101	89	12	-
SPB 450 X 5 — R	16	3525	450	457	101	65	36	-
SPB 450 X 6	16	4040	450	457	120	102	18	-
SPB 450 X 6 — R	16	3525	450	457	120	65	55	-
SPB 450 X 8	12	4040	450	457	158	102	28	-
SPB 450 X 8 — R	12	3525	450	457	158	65	46.5	-
SPB 450 X 10	12	4545	450	457	196	114	41	-
SPB 500 X 2	11	3020	500	507	44	51	-	3.5
SPB 500 X 3	13	3535	500	507	63	89	-	26
SPB 500 X 3 — R	13	3525	500	507	63	65	-	2
SPB 500 X 4	13	3535	500	507	82	89	-	7
SPB 500 X 4 — R	16	3525	500	507	82	65	17	-
SPB 500 X 5	16	3535	500	507	101	89	12	-
SPB 500 X 5 — R	16	3525	500	507	101	65	36	-
SPB 500 X 6	16	4040	500	507	120	102	18	-
SPB 500 X 6 — R	16	3525	500	507	120	65	55	-
SPB 500 X 8	12	4040	500	507	158	102	28	-
SPB 500 X 8 — R	12	3525	500	507	158	65	46.5	-
SPB 500 X 10	12	4545	500	507	196	114	41	-
SPB 560 X 2	17	3030	560	567	44	76	-	28.5
SPB 560 X 2 — R	11	3020	560	567	44	51	-	3.5
SPB 560 X 3	13	3535	560	567	63	89	-	26
SPB 560 X 3 — R	13	3525	560	567	63	65	-	2
SPB 560 X 4	13	3535	560	567	82	89	-	7
SPB 560 X 4 — R	16	3525	560	567	82	65	17	-
SPB 560 X 5	13	4040	560	567	101	102	-	1
SPB 560 X 5 — R	16	3525	560	567	101	65	36	-
SPB 560 X 6	16	4040	560	567	120	102	18	-
SPB 560 X 6 — R	16	3525	560	567	120	65	55	-
SPB 560 X 8	12	4545	560	567	158	114	22	-
SPB 560 X 8 — R	12	4030	560	567	158	76	41	-
SPB 560 X 10	12	4545	560	567	196	114	41	-
SPB 630 X 2	11	3030	630	637	44	76	-	16
SPB 630 X 2 — R	11	3020	630	637	44	51	-	3.5

SPB - SECTION continued

Part No.	Type	Bush No.	PD (mm)	OD (mm)	Dimensions (mm)			
					F	L	R	P
SPB 630 X 3	13	3535	630	637	63	89	-	26
SPB 630 X 3 — R	13	3525	630	637	63	65	-	2
SPB 630 X 4	13	3535	630	637	82	89	-	7
SPB 630 X 4 — R	16	3525	630	637	82	65	17	-
SPB 630 X 5	13	4040	630	637	101	102	-	1
SPB 630 X 5 — R	16	3525	630	637	101	65	36	-
SPB 630 X 6	16	4040	630	637	101	65	18	-
SPB 630 X 6 — R	16	3525	630	637	120	102	55	-
SPB 630 X 8	12	4545	630	637	158	114	22	-
SPB 630 X 8 — R	12	4030	630	637	158	76	41	-
SPB 630 X 10	12	4545	630	637	196	114	41	-
SPB 710 X 2	11	3030	710	717	44	76	-	16
SPB 710 X 3	11	3535	710	717	63	89	-	13
SPB 710 X 3 — R	11	3525	710	717	63	65	-	1
SPB 710 X 4	11	3535	710	717	82	89	-	3.5
SPB 710 X 4 — R	12	3525	710	717	82	65	8.5	-
SPB 710 X 5	13	4040	710	717	101	102	-	1
SPB 710 X 5 — R	12	4030	710	717	101	76	12.5	-
SPB 710 X 6	12	4040	710	717	120	102	9	-
SPB 710 X 6 — R	12	4535	710	717	120	89	15.5	-
SPB 710 X 8	12	4545	710	717	158	114	22	-
SPB 710 X 8 — R	12	4535	710	717	158	89	34.5	-
SPB 710 X 10	12	4545	710	717	196	114	41	-
SPB 800 X 3	11	3535	800	807	63	89	-	13
SPB 800 X 3 — R	11	3525	800	807	63	65	-	1
SPB 800 X 4	11	4040	800	807	82	102	-	10
SPB 800 X 4 — R	12	4030	800	807	82	76	3	-
SPB 800 X 5	13	4040	800	807	101	102	-	1
SPB 800 X 5 — R	12	4030	800	807	101	76	12.5	-
SPB 800 X 6	12	4545	800	807	120	114	3	-
SPB 800 X 6 — R	12	4535	800	807	120	89	15.5	-
SPB 800 X 8	12	4545	800	807	158	114	22	-
SPB 800 X 8 — R	12	4535	800	807	158	89	34.5	-
SPB 800 X 10	12	4545	800	807	196	114	41	-
SPB 1000 X 3	11	4040	1000	1007	63	102	-	19.5
SPB 1000 X 3 — R	11	4030	1000	1007	63	76	-	6.5
SPB 1000 X 4	11	4040	1000	1007	82	102	-	10
SPB 1000 X 4 — R	12	4030	1000	1007	82	76	3	-
SPB 1000 X 5	11	4545	1000	1007	101	114	-	6.5
SPB 1000 X 5 — R	12	4535	1000	1007	101	89	6	-
SPB 1000 X 6	12	4545	1000	1007	120	114	3	-
SPB 1000 X 6 — R	12	4535	1000	1007	120	89	15.5	-
SPB 1000 X 8	12	5050	1000	1007	158	127	15.5	-
SPB 1000 X 8 — R	12	4535	1000	1007	158	89	34.5	-
SPB 1000 X 10	12	5050	1000	1007	196	127	34.5	-

SPB - SECTION continued

Part No.	Type	Bush No.	PD (mm)	OD (mm)	Dimensions (mm)			
					F	L	R	P
SPB 1250 X 3	11	4545	1250	1257	63	114	-	25.5
SPB 1250 X 3 — R	11	4535	1250	1257	63	89	-	13
SPB 1250 X 4	11	4545	1250	1257	82	114	-	16
SPB 1250 X 4 — R	11	4535	1250	1257	82	89	-	3.5
SPB 1250 X 5	11	4545	1250	1257	101	114	-	6.5
SPB 1250 X 5 — R	12	4535	1250	1257	101	89	6	-
SPB 1250 X 6	12	4545	1250	1257	120	114	3	-
SPB 1250 X 6 — R	12	4535	1250	1257	120	89	15.5	-
SPB 1250 X 8	12	5050	1250	1257	158	127	15.5	-
SPB 1250 X 8 — R	12	5040	1250	1257	158	114	22	-
SPB 1250 X 12	12	5050	1250	1257	234	127	53.5	-

SPC - SECTION

Part No.	Type	Bush No.	PD (mm)	OD (mm)	Dimensions (mm)			
					F	L	R	P
SPC 200 X 2	7	2517	200	209.6	59.5	45	7.3	-
SPC 200 X 3	7	2517	200	209.6	85	45	20	-
SPC 200 X 4	7	3020	200	209.6	110.5	51	29.8	-
SPC 200 X 5	7	3535	200	209.6	136	89	23.5	-
SPC 200 X 5 — R	7	3525	200	209.6	136	65	35.5	-
SPC 200 X 6	7	3535	200	209.6	161.5	89	36.3	-
SPC 200 X 6 — R	7	3525	200	209.6	161.5	65	48.3	-
SPC 200 X 8	7	3535	200	209.6	212.5	89	61.8	-
SPC 200 X 8 — R	7	3525	200	209.6	212.5	65	73.8	-
SPC 212 X 2	9	2517	212	221.6	59.5	45	7.3	-
SPC 212 X 3	7	3020	212	221.6	85	51	17	-
SPC 212 X 4	7	3020	212	221.6	110.5	51	29.8	-
SPC 212 X 5	7	3535	212	221.6	136	89	23.5	-
SPC 212 X 5 — R	7	3525	212	221.6	136	65	35.5	-
SPC 212 X 6	7	3535	212	221.6	161.5	89	36.3	-
SPC 212 X 6 — R	7	3525	212	221.6	161.5	65	48.3	-
SPC 212 X 8	7	3535	212	221.6	212.5	89	61.8	-
SPC 212 X 8 — R	7	3525	212	221.6	212.5	65	73.8	-
SPC 212 X 10	7	3535	212	221.6	263.5	89	87.3	-
SPC 224 X 2	7	3020	224	233.6	59.5	51	4.3	-
SPC 224 X 3	7	3020	224	233.6	85	51	17	-
SPC 224 X 4	7	3535	224	233.6	110.5	89	10.8	-
SPC 224 X 4 — R	7	3525	224	233.6	110.5	65	22.8	-
SPC 224 X 5	7	3535	224	233.6	136	89	23.5	-
SPC 224 X 5 — R	7	3525	224	233.6	136	65	35.5	-
SPC 224 X 6	7	3535	224	233.6	161.5	89	36.3	-
SPC 224 X 6 — R	7	3525	224	233.6	161.5	65	48.3	-
SPC 224 X 8	7	3535	224	233.6	212.5	89	61.8	-
SPC 224 X 8 — R	7	3525	224	233.6	212.5	65	73.8	-

SPC - SECTION continued

Part No.	Type	Bush No.	PD (mm)	OD (mm)	Dimensions (mm)			
					F	L	R	P
SPC 224 X 10	7	4040	224	233.6	263.5	102	80.8	-
SPC 236 X 2	9	2517	236	245.6	59.5	51	4.3	-
SPC 236 X 3	7	3020	236	245.6	85	51	17	-
SPC 236 X 4	7	3535	236	245.6	110.5	89	10.8	-
SPC 236 X 4 — R	7	3525	236	245.6	110.5	65	22.8	-
SPC 236 X 5	7	3535	236	245.6	136	89	23.5	-
SPC 236 X 5 — R	7	3525	236	245.6	136	65	35.5	-
SPC 236 X 6	7	3535	236	245.6	161.5	89	36.3	-
SPC 236 X 6 — R	7	3525	236	245.6	161.5	65	48.3	-
SPC 236 X 8	7	3535	236	245.6	212.5	89	61.8	-
SPC 236 X 8 — R	7	3525	236	245.6	212.5	65	73.8	-
SPC 236 X 10	7	4040	236	245.6	263.5	102	80.8	-
SPC 250 X 1	10	3020	250	259.6	34	51	-	8.5
SPC 250 X 2	9	3020	250	259.6	59.5	51	4.3	-
SPC 250 X 3	7	3020	250	259.6	85	51	17	-
SPC 250 X 4	7	3535	250	259.6	110.5	89	10.8	-
SPC 250 X 4 — R	7	3525	250	259.6	110.5	65	22.8	-
SPC 250 X 5	7	3535	250	259.6	136	89	23.5	-
SPC 250 X 5 — R	7	3525	250	259.6	136	65	35.5	-
SPC 250 X 6	7	3535	250	259.6	161.5	89	36.3	-
SPC 250 X 6 — R	7	3525	250	259.6	161.5	65	48.3	-
SPC 250 X 8	7	3535	250	259.6	212.5	89	61.8	-
SPC 250 X 8 — R	7	3525	250	259.6	212.5	65	73.8	-
SPC 250 X 10	7	4040	250	259.6	263.5	102	80.8	-
SPC 265 X 2	9	3020	265	274.6	59.5	51	4.3	-
SPC 265 X 3	4	3535	265	274.6	85	89	-	-
SPC 265 X 3 — R	7	3525	265	274.6	85	65	10	-
SPC 265 X 4	7	3535	265	274.6	110.5	89	10.8	-
SPC 265 X 4 — R	7	3525	265	274.6	110.5	65	22.8	-
SPC 265 X 5	7	3535	265	274.6	136	89	23.5	-
SPC 265 X 5 — R	7	3525	265	274.6	136	65	35.5	-
SPC 265 X 6	7	3535	265	274.6	161.5	89	36.3	-
SPC 265 X 6 — R	7	3525	265	274.6	161.5	65	48.3	-
SPC 265 X 8	7	3535	265	274.6	212.5	89	61.8	-
SPC 265 X 8 — R	7	3525	265	274.6	212.5	65	73.8	-
SPC 265 X 10	7	4040	265	274.6	263.5	102	80.8	-
SPC 280 X 2	9	3020	280	289.6	59.5	51	4.3	-
SPC 280 X 3	8	3535	280	289.6	85	89	-	4
SPC 280 X 3 — R	9	3525	280	289.6	85	65	10	-
SPC 280 X 4	9	3535	280	289.6	110.5	89	10.8	-
SPC 280 X 4 — R	9	3525	280	289.6	110.5	65	22.8	-
SPC 280 X 5	9	3535	280	289.6	136	89	23.5	-
SPC 280 X 5 — R	9	3525	280	289.6	136	65	35.5	-
SPC 280 X 6	9	3535	280	289.6	161.5	89	36.3	-
SPC 280 X 6 — R	9	3525	280	289.6	161.5	65	48.3	-

SPC - SECTION continued

Part No.	Type	Bush No.	PD (mm)	OD (mm)	Dimensions (mm)			
					F	L	R	P
SPC 280 X 8	7	3535	280	289.6	212.5	89	61.8	-
SPC 280 X 8 — R	7	3525	280	289.6	212.5	65	73.8	-
SPC 280 X 10	7	4040	280	289.6	263.5	102	80.8	-
SPC 300 X 2	9	3020	300	309.6	59.5	51	4.3	-
SPC 300 X 3	10	3535	300	309.6	85	89	-	2
SPC 300 X 3 — R	9	3525	300	309.6	85	65	10	-
SPC 300 X 4	9	3535	300	309.6	110.5	89	10.8	-
SPC 300 X 4 — R	9	3525	300	309.6	110.5	65	22.8	-
SPC 300 X 5	9	3535	300	309.6	136	89	23.5	-
SPC 300 X 5 — R	9	3525	300	309.6	136	65	35.5	-
SPC 300 X 6	9	3535	300	309.6	161.5	89	36.3	-
SPC 300 X 6 — R	9	3525	300	309.6	161.5	65	48.3	-
SPC 300 X 8	7	4040	300	309.6	212.5	102	55.3	-
SPC 300 X 8 — R	9	3525	300	309.6	212.5	65	73.8	-
SPC 300 X 10	7	4545	300	309.6	263.5	114	74.8	-
SPC 300 X 10 — R	7	4535	300	309.6	263.5	89	87.3	-
SPC 315 X 2	9	3020	315	324.6	59.5	51	4.3	-
SPC 315 X 3	10	3535	315	324.6	85	89	-	2
SPC 315 X 3 — R	9	3525	315	324.6	85	65	10	-
SPC 315 X 4	9	3535	315	324.6	110.5	89	10.8	-
SPC 315 X 4 — R	9	3525	315	324.6	110.5	65	22.8	-
SPC 315 X 5	9	3535	315	324.6	136	89	23.5	-
SPC 315 X 5 — R	9	3525	315	324.6	136	65	35.5	-
SPC 315 X 6	9	3535	315	324.6	161.5	89	36.3	-
SPC 315 X 6 — R	9	3525	315	324.6	161.5	65	48.3	-
SPC 315 X 8	7	4040	315	324.6	212.5	102	55.3	-
SPC 315 X 8 — R	9	3525	315	324.6	212.5	65	73.8	-
SPC 315 X 10	7	4545	315	324.6	263.5	114	74.8	-
SPC 335 X 2	12	3020	335	344.6	59.5	51	4.3	-
SPC 335 X 3	11	3535	335	344.6	85	89	-	2
SPC 335 X 3 — R	12	3525	335	344.6	85	65	10	-
SPC 335 X 4	12	3535	335	344.6	110.5	89	10.8	-
SPC 335 X 4 — R	12	3525	335	344.6	110.5	65	22.8	-
SPC 335 X 5	9	3535	335	344.6	136	89	23.5	-
SPC 335 X 5 — R	9	3525	335	344.6	136	65	35.5	-
SPC 335 X 6	9	3535	335	344.6	161.5	89	36.3	-
SPC 335 X 6 — R	9	3525	335	344.6	161.5	65	48.3	-
SPC 335 X 8	9	4040	335	344.6	212.5	102	55.3	-
SPC 335 X 8 — R	9	3525	335	344.6	212.5	65	73.8	-
SPC 335 X 10	7	4545	335	344.6	263.5	114	74.8	-
SPC 355 X 2	12	3020	355	364.6	59.5	51	4.3	-
SPC 355 X 3	11	3535	355	364.6	85	89	-	2
SPC 355 X 3 — R	12	3525	355	364.6	85	65	10	-
SPC 355 X 4	12	3535	355	364.6	110.5	89	10.8	-
SPC 355 X 4 — R	12	3525	355	364.6	110.5	65	22.8	-

SPC - SECTION continued

Part No.	Type	Bush No.	PD (mm)	OD (mm)	Dimensions (mm)			
					F	L	R	P
SPC 355 X 5	12	3535	355	364.6	136	89	23.5	-
SPC 355 X 5 — R	12	3525	355	364.6	136	65	35.5	-
SPC 355 X 6	9	3535	355	364.6	161.5	89	36.3	-
SPC 355 X 6 — R	9	3525	355	364.6	161.5	65	48.3	-
SPC 355 X 8	9	4040	355	364.6	212.5	102	55.3	-
SPC 355 X 8 — R	9	3525	355	364.6	212.5	65	73.8	-
SPC 355 X 10	7	4040	355	364.6	263.5	102	80.8	-
SPC 375 X 2	12	3020	375	384.6	59.5	51	4.3	-
SPC 375 X 3	11	3535	375	384.6	85	89	-	2
SPC 375 X 3 — R	12	3525	375	384.6	85	65	10	-
SPC 375 X 4	12	3535	375	384.6	110.5	89	10.8	-
SPC 375 X 4 — R	12	3525	375	384.6	110.5	65	22.8	-
SPC 375 X 5	12	3535	375	384.6	136	89	23.5	-
SPC 375 X 5 — R	12	3525	375	384.6	136	65	35.5	-
SPC 375 X 6	9	4040	375	384.6	161.5	102	29.8	-
SPC 375 X 6 — R	9	3525	375	384.6	161.5	65	48.3	-
SPC 375 X 8	9	4545	375	384.6	212.5	114	49.3	-
SPC 375 X 8 — R	9	4030	375	384.6	212.5	76	68.3	-
SPC 375 X 10	9	4545	375	384.6	263.5	114	74.8	-
SPC 375 X 10 — R	9	4535	375	384.6	263.5	89	87.3	-
SPC 375 X 12	7	5050	375	384.6	314.5	127	93.8	-
SPC 400 X 2	11	3525	400	409.6	59.5	64	-	2.3
SPC 400 X 3	11	3535	400	409.6	85	89	-	2
SPC 400 X 3 — R	12	3525	400	409.6	85	65	10	-
SPC 400 X 4	12	3535	400	409.6	110.5	89	10.8	-
SPC 400 X 4 — R	12	3525	400	409.6	110.5	65	22.8	-
SPC 400 X 5	12	3535	400	409.6	136	89	23.5	-
SPC 400 X 5 — R	12	3525	400	409.6	136	65	35.5	-
SPC 400 X 6	9	4040	400	409.6	161.5	102	29.8	-
SPC 400 X 6 — R	9	3525	400	409.6	161.5	65	48.3	-
SPC 400 X 8	9	4545	400	409.6	212.5	114	49.3	-
SPC 400 X 8 — R	9	4030	400	409.6	212.5	76	68.3	-
SPC 400 X 10	9	5050	400	409.6	263.5	127	68.3	-
SPC 400 X 10 — R	9	5040	400	409.6	263.5	102	80.8	-
SPC 400 X 12	9	5050	400	409.6	314.5	127	93.8	-
SPC 425 X 3	11	3535	425	434.6	85	89	-	2
SPC 425 X 3 — R	12	3525	425	434.6	85	65	10	-
SPC 425 X 4	12	3535	425	434.6	110.5	89	10.8	-
SPC 425 X 4 — R	18	3525	425	434.6	110.5	65	10	-
SPC 425 X 5	12	3535	425	434.6	136	89	23.5	-
SPC 425 X 5 — R	18	3525	425	434.6	136	65	10	-
SPC 425 X 6	9	4040	425	434.6	161.5	102	29.8	-
SPC 425 X 6 — R	18	4535	425	434.6	161.5	89	43	-
SPC 425 X 8	9	4545	425	434.6	212.5	114	49.3	-
SPC 425 X 8 — R	19	4535	425	434.6	212.5	89	43	-

SPC - SECTION continued

Part No.	Type	Bush No.	PD (mm)	OD (mm)	Dimensions (mm)			
					F	L	R	P
SPC 425 X 10	9	5050	425	434.6	263.5	127	68.3	-
SPC 425 X 10 — R	9	5040	425	434.6	263.5	102	80.8	-
SPC 450 X 2	11	3535	450	459.6	59.5	89	-	14.8
SPC 450 X 3	11	3535	450	459.6	85	89	-	2
SPC 450 X 3 — R	12	3525	450	459.6	85	65	10	-
SPC 450 X 4	12	3535	450	459.6	110.5	89	10.8	-
SPC 450 X 4 — R	18	3525	450	459.6	110.5	65	1	-
SPC 450 X 5	12	4040	450	459.6	136	102	17	-
SPC 450 X 5 — R	18	3525	450	459.6	136	65	10	-
SPC 450 X 6	9	4545	450	459.6	161.5	114	23.8	-
SPC 450 X 6 — R	18	4535	450	459.6	161.5	89	43	-
SPC 450 X 8	9	5050	450	459.6	212.5	127	42.8	-
SPC 450 X 8 — R	19	4535	450	459.6	212.5	89	43	-
SPC 450 X 10	9	5050	450	459.6	263.5	127	68.3	-
SPC 450 X 10 — R	9	5040	450	459.6	263.5	102	80.8	-
SPC 450 X 12	9	5050	450	459.6	314.5	127	93.8	-
SPC 475 X 3	11	3535	475	484.6	85	89	-	2
SPC 475 X 3 — R	12	3525	475	484.6	85	65	10	-
SPC 475 X 4	12	3535	475	484.6	110.5	89	10.8	-
SPC 475 X 4 — R	18	3525	475	484.6	110.5	65	10	-
SPC 475 X 5	12	4040	475	484.6	136	102	17	-
SPC 475 X 5 — R	18	3525	475	484.6	136	65	10	-
SPC 475 X 6	9	4545	475	484.6	161.5	114	23.8	-
SPC 475 X 6 — R	18	4535	475	484.6	161.5	89	43	-
SPC 475 X 8	9	5050	475	484.6	212.5	127	42.8	-
SPC 475 X 8 — R	18	4535	475	484.6	212.5	89	43	-
SPC 475 X 10	9	5050	475	484.6	263.5	127	68.3	-
SPC 500 X 3	11	3535	500	509.6	85	89	-	2
SPC 500 X 3 — R	12	3525	500	509.6	85	65	10	-
SPC 500 X 4	12	3535	500	509.6	110.5	89	10.8	-
SPC 500 X 4 — R	18	3525	500	509.6	110.5	65	10	-
SPC 500 X 5	12	4040	500	509.6	136	102	17	-
SPC 500 X 5 — R	18	3525	500	509.6	136	65	10	-
SPC 500 X 6	12	4545	500	509.6	161.5	114	23.8	-
SPC 500 X 6 — R	18	4535	500	509.6	161.5	89	43	-
SPC 500 X 8	9	5050	500	509.6	212.5	127	42.8	-
SPC 500 X 8 — R	18	4535	500	509.6	212.5	89	43	-
SPC 500 X 10	9	5050	500	509.6	263.5	127	68.3	-
SPC 500 X 12	9	5050	500	509.6	314.5	127	93.8	-
SPC 530 X 3	11	3535	530	539.6	85	89	-	2
SPC 530 X 3 — R	12	3525	530	539.6	85	65	10	-
SPC 530 X 4	12	4040	530	539.6	110.5	102	4.3	-
SPC 530 X 4 — R	18	3525	530	539.6	110.5	65	10	-
SPC 530 X 5	12	4545	530	539.6	136	114	11	-
SPC 530 X 5 — R	18	4535	530	539.6	136	89	43	-

SPC - SECTION continued

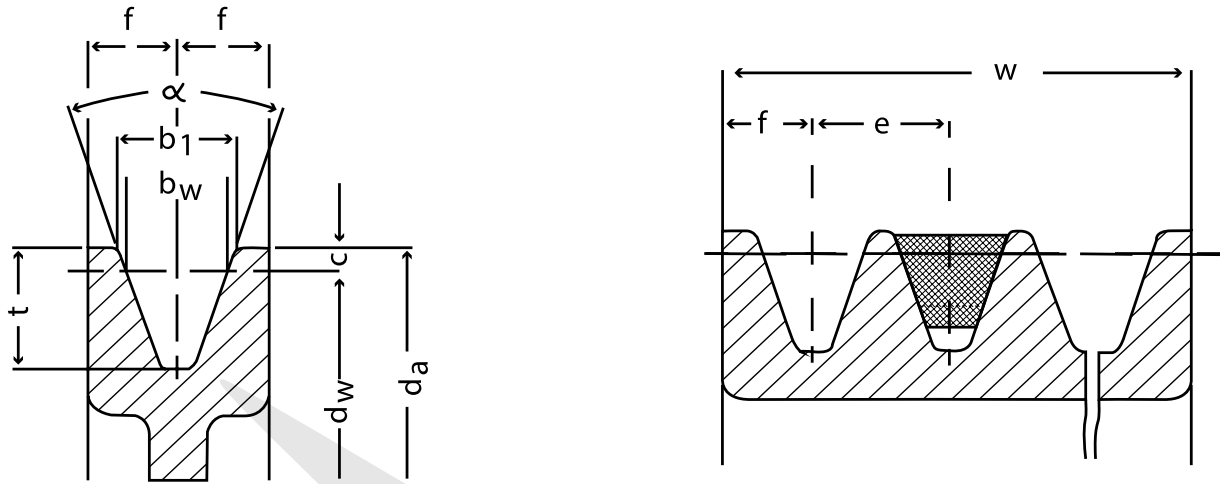
Part No.	Type	Bush No.	Bush No.	Type	Dimensions (mm)			
					F	L	R	P
SPC 530 X 6	12	5050	530	539.6	161.5	127	17.3	-
SPC 530 X 6 — R	18	4535	530	539.6	161.5	89	43	-
SPC 530 X 8	9	5050	530	539.6	212.5	127	42.8	-
SPC 530 X 8 — R	18	4535	530	539.6	212.5	89	43	-
SPC 530 X 10	9	5050	530	539.6	263.5	127	68.3	-
SPC 560 X 2	11	3535	560	569.6	59.5	89	-	14.8
SPC 560 X 3	11	3535	560	569.6	85	89	-	2
SPC 560 X 3 — R	12	3525	560	569.6	85	65	10	-
SPC 560 X 4	12	4040	560	569.6	110.5	102	4.3	-
SPC 560 X 4 — R	18	3525	560	569.6	110.5	65	10	-
SPC 560 X 5	12	4545	560	569.6	136	114	11	-
SPC 560 X 5 — R	18	4535	560	569.6	136	89	43	-
SPC 560 X 6	12	5050	560	569.6	161.5	127	17.3	-
SPC 560 X 6 — R	18	4535	560	569.6	161.5	89	43	-
SPC 560 X 8	12	5050	560	569.6	212.5	127	42.8	-
SPC 560 X 8 — R	18	5040	560	569.6	212.5	89	43	-
SPC 560 X 10	12	5050	560	569.6	263.5	127	68.3	-
SPC 560 X 10 — R	12	5040	560	569.6	263.5	102	80.8	-
SPC 560 X 12	12	5050	560	569.6	314.5	127	93.8	-
SPC 630 X 3	11	4040	630	639.6	85	102	-	8.5
SPC 630 X 3 — R	12	4030	630	639.6	85	76	4.5	-
SPC 630 X 4	11	4545	630	639.6	110.5	114	-	1.8
SPC 630 X 4 — R	18	4030	630	639.6	110.5	76	4.5	-
SPC 630 X 5	12	5050	630	639.6	136	127	4.5	-
SPC 630 X 5 — R	18	4535	630	639.6	136	89	36.5	-
SPC 630 X 6	12	5050	630	639.6	161.5	127	17.3	-
SPC 630 X 6 — R	12	4535	630	639.6	161.5	89	36.3	-
SPC 630 X 8	12	5050	630	639.6	212.5	127	42.8	-
SPC 630 X 8 — R	18	4535	630	639.6	212.5	89	36.5	-
SPC 630 X 10	12	5050	630	639.6	263.5	127	68.3	-
SPC 630 X 12	12	5050	630	639.6	314.5	127	93.8	-
SPC 710 X 3	11	4040	710	719.6	85	102	-	-
SPC 710 X 3 — R	12	4030	710	719.6	85	76	4.5	-
SPC 710 X 4	12	4040	710	719.6	110.5	102	4.3	-
SPC 710 X 4 — R	12	4030	710	719.6	110.5	76	17.3	-
SPC 710 X 5	12	5050	710	719.6	136	127	4.5	-
SPC 710 X 5 — R	12	5040	710	719.6	136	102	17	-
SPC 710 X 6	12	5050	710	719.6	161.5	127	17.3	-
SPC 710 X 6 — R	12	5040	710	719.6	161.5	102	29.8	-
SPC 710 X 8	12	5050	710	719.6	212.5	127	42.8	-
SPC 710 X 8 — R	12	5040	710	719.6	212.5	102	55.3	-
SPC 710 X 10	12	5050	710	719.6	263.5	127	68.3	-
SPC 710 X 12	12	5050	710	719.6	314.5	127	93.8	-
SPC 800 X 3	11	4545	800	809.6	85	114	-	14.5
SPC 800 X 3 — R	11	4535	800	809.6	85	89	-	2

SPC - SECTION continued

Part No.	Type	Bush No.	PD (mm)	OD (mm)	Dimensions (mm)			
					F	L	R	P
SPC 800 X 4	11	5050	800	809.6	110.5	127	-	8.3
SPC 800 X 4 — R	12	5040	800	809.6	110.5	102	4.3	-
SPC 800 X 5	12	5050	800	809.6	136	127	4.5	-
SPC 800 X 5 — R	12	5040	800	809.6	136	102	17	-
SPC 800 X 6	12	5050	800	809.6	161.5	127	17.3	-
SPC 800 X 6 — R	12	5040	800	809.6	161.5	102	29.8	-
SPC 800 X 8	12	5050	800	809.6	212.5	127	42.8	-
SPC 800 X 8 — R	12	5040	800	809.6	212.5	102	55.3	-
SPC 800 X 10	12	5050	800	809.6	263.5	127	68.3	-
SPC 800 X 10 — R	12	5040	800	809.6	263.5	102	80.8	-
SPC 800 X 12	12	5050	800	809.6	314.5	127	93.8	-
SPC 1000 X 3	11	5050	1000	1009.6	85	127	-	21
SPC 1000 X 3 — R	11	5040	1000	1009.6	85	102	-	8.5
SPC 1000 X 4	11	5050	1000	1009.6	110.5	127	-	8.3
SPC 1000 X 4 — R	12	5040	1000	1009.6	110.5	102	4.3	-
SPC 1000 X 5	12	5050	1000	1009.6	136	127	4.5	-
SPC 1000 X 5 — R	12	5040	1000	1009.6	136	102	17	-
SPC 1000 X 6	12	5050	1000	1009.6	161.5	127	17.3	-
SPC 1000 X 6 — R	12	5040	1000	1009.6	161.5	102	29.8	-
SPC 1000 X 8	12	5050	1000	1009.6	212.5	127	42.8	-
SPC 1000 X 8 — R	12	5040	1000	1009.6	212.5	102	55.3	-
SPC 1000 X 10	12	5050	1000	1009.6	263.5	127	68.3	-
SPC 1000 X 12	12	6050	1000	1009.6	314.5	127	93.8	-
SPC 1250 X 3	11	5050	1250	1259.6	85	127	-	21
SPC 1250 X 4	11	5050	1250	1259.6	110.5	127	-	8.3
SPC 1250 X 5	12	5050	1250	1259.6	136	127	4.5	-
SPC 1250 X 5 — R	12	5040	1250	1259.6	136	102	17	-
SPC 1250 X 6	12	5050	1250	1259.6	161.5	127	17.3	-
SPC 1250 X 6 — R	12	5040	1250	1259.6	161.5	102	29.8	-
SPC 1250 X 8	12	5050	1250	1259.6	212.5	127	42.8	-
SPC 1250 X 8 — R	12	5040	1250	1259.6	212.5	102	55.3	-
SPC 1250 X 10	12	5050	1250	1259.6	263.5	127	68.3	-



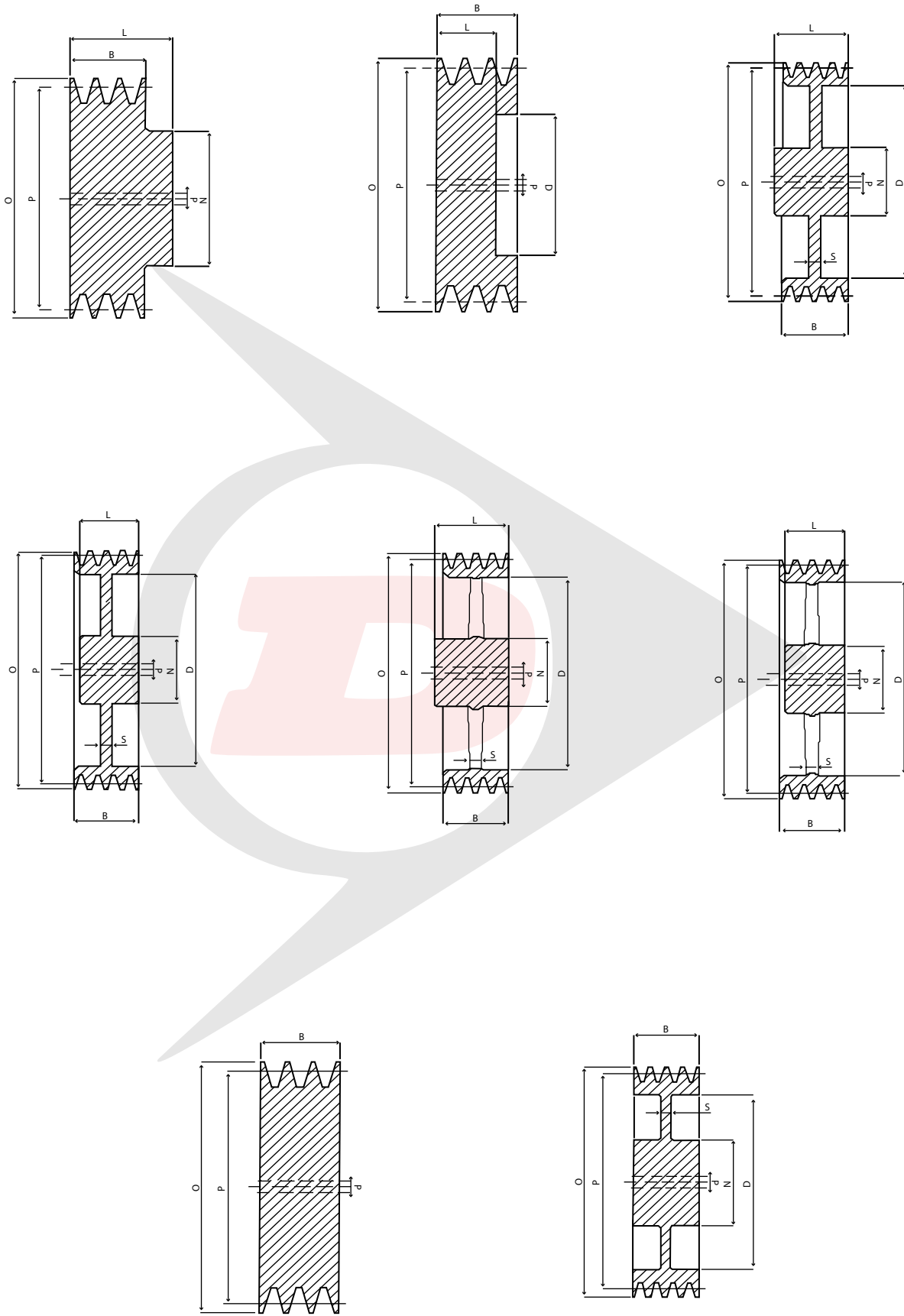
ENGINEERING DATA V-PULLEYS PILOT BORE



COMPLYING TO DIN 2211

Sections		SPZ (mm)	SPA (mm)	SPB (mm)	SPC (mm)	
bw (mm)		8.5	11	14	19	
b1 (mm)		9.7	12.7	16.3	22	
c (mm)		2	2.8	3.5	4.8	
e (mm)		12 ± 0.3	15 ± 0.3	19 ± 0.4	25.5 ± 0.5	
f (mm)		8 ± 0.6	10 ± 0.6	12.5 ± 0.8	17 ± 1	
t (mm) min.		11	13.8	17.5	C:20 SPC:23.8	
α	34° for dw (mm)	≤ 80	≤ 118	≤ 190	≤ 315	
	34°	>80	>118	>190	>315	
	Tolerance	± 1°	± 1°	± 1°	± 30°	
Crown width W for number of grooves Z (mm)		Z = 1	16	20	25	34
		Z = 2	28	35	44	59.5
		Z = 3	40	50	63	85
		Z = 4	52	65	82	110.5
		Z = 5	64	80	101	136
		Z = 6	76	95	120	161.5
		Z = 7	88	110	139	187
		Z = 8	100	125	158	212.5
		Z = 9	112	140	177	238
		Z = 10	124	155	196	263.5
		Z = 11	136	170	215	289
		Z = 12	148	185	234	314.5
Tolerance di (Z-1) e (mm)		± 0.6	± 0.6	± 0.8	± 1.0	

V-PULLEY TYPES PILOT BORE





V-PULLEYS PILOT BORE

Description

Dunlop V-pulleys are manufactured from cast iron EN-GJL-200 UNI EN1561 and are black phosphated according to ISO 4183 and DIN 2211-3 norms. All pulleys are statically balanced for peripheral speeds up to 35 m/sec.

V-Pulleys are available to suit all V & wedge belts cross sections Z, A, B, C, SPZ, SPA, SPB & SPC and are available from stock in both taper and pilot bore options.

Part numbers are identified by 3 letters (e.g. SPA) which represents the belt cross section, a 3 or 4 digit number (e.g. 250) the pulleys pitch diameter and a 1 or 2 digit number (e.g. 3) the number of grooves/belts to be run in the drive, for example SPA250/3.

SPZ - SECTION

Pitch Diameter dw (mm)	Grooves No.	N	L (mm)	W (mm)	Type
SPZ 50X1	1	40	28	16	1
SPZ 50X2	2	40	35	28	1
SPZ 50X3	3			40	7
SPZ 56X1	1	45	28	16	1
SPZ 56X2	2	45	35	28	1
SPZ 56X3	3			40	7
SPZ 63X1	1	50	28	16	1
SPZ 63X2	2	50	35	28	1
SPZ 63X3	3			40	7
SPZ 71X1	1	50	28	16	1
SPZ 71X2	2	55	35	28	1
SPZ 71X3	3			40	7
SPZ 75X1	1	50	28	16	1
SPZ 75X2	2	60	35	28	1
SPZ 75X3	3			40	7
SPZ 80X1	1	50	28	16	1
SPZ 80X2	2	60	35	28	1
SPZ 80X3	3			40	7
SPZ 85X1	1	50	28	16	1
SPZ 85X2	2	60	35	28	1
SPZ 85X3	3			40	7
SPZ 90X1	1	50	28	16	1
SPZ 90X2	2	60	35	28	1
SPZ 90X3	3			40	7
SPZ 95X1	1	50	28	16	1
SPZ 95X2	2	60	35	28	1
SPZ 95X3	3			40	7
SPZ 100X1	1	50	28	16	1
SPZ 100X2	2	60	35	28	1
SPZ 100X3	3			40	7
SPZ 106X1	1	50	28	16	1
SPZ 106X2	2	60	35	28	1
SPZ 106X3	3			40	7
SPZ 112X1	1	50	28	16	1

Pitch Diameter dw (mm)	Grooves No.	N	L (mm)	W (mm)	Type
SPZ 112X2	2	60	35	28	1
SPZ 112X3	3			40	7
SPZ 118X1	1	50	28	16	3
SPZ 118X2	2	60	35	28	3
SPZ 118X3	3			40	7
SPZ 125X1	1	50	28	16	3
SPZ 125X2	2	60	35	28	3
SPZ 125X3	3			40	7
SPZ 132X1	1	50	28	16	3
SPZ 132X2	2	60	40	28	3
SPZ 132X3	3	60	40	40	8
SPZ 140X1	1	50	28	16	3
SPZ 140X2	2	60	40	28	3
SPZ 140X3	3	60	40	40	8
SPZ 150X1	1	50	28	16	3
SPZ 150X2	2	60	40	28	3
SPZ 150X3	3	60	40	40	8
SPZ 160X1	1	55	32	16	3
SPZ 160X2	2	60	40	28	3
SPZ 160X3	3	65	45	40	3
SPZ 180X1	1	55	32	16	5
SPZ 180X2	2	60	40	28	5
SPZ 180X3	3	65	45	40	5
SPZ 200X1	1	55	32	16	5
SPZ 200X2	2	60	40	28	5
SPZ 200X3	3	65	45	40	5
SPZ 224X1	1	55	32	16	5
SPZ 224X2	2	60	40	28	5
SPZ 224X3	3	65	45	40	5
SPZ 250X1	1	55	32	16	5
SPZ 250X2	2	60	40	28	5
SPZ 250X3	3	65	45	40	5
SPZ 280X2	2	65	45	28	5
SPZ 315X2	2	65	45	28	5

SPA- SECTION

Pitch Diameter dw (mm)	Grooves No.	N	L (mm)	W (mm)	Type
SPA 40X1	1	40	35	20	1
SPA 50X1	1	40	35	20	1
SPA 50X2	2	40	45	35	1
SPA 56X1	1	40	35	20	1
SPA 56X2	2	40	45	35	1
SPA 56X3	3			50	7
SPA 60X1	1	40	35	20	1
SPA 63X1	1	40	35	20	1
SPA 63X2	2	40	45	35	1
SPA 63X3	3			50	7
SPA 71X1	1	40	40	20	1
SPA 71X2	2	50	45	35	1
SPA 71X3	3			50	7
SPA 75X1	1	40	40	20	1
SPA 75X2	2	50	45	35	1
SPA 75X3	3			50	7
SPA 75X4	4			65	7
SPA 75X5	5			80	7
SPA 80X1	1	45	40	20	1
SPA 80X2	2	50	45	35	1
SPA 80X3	3			50	7
SPA 80X4	4			65	7
SPA 80X5	5			80	7
SPA 85X1	1	45	40	20	1
SPA 85X2	2	50	45	35	1
SPA 85X3	3			50	7
SPA 85X4	4			65	7
SPA 85X5	5			80	7
SPA 90X1	1	45	40	20	1
SPA 90X2	2	60	45	35	1
SPA 90X3	3			50	7
SPA 90X4	4			65	7
SPA 90X5	5			80	7
SPA 95X1	1	45	40	20	1
SPA 95X2	2	60	45	35	1
SPA 95X3	3			50	7
SPA 95X4	4			65	7
SPA 95X5	5			80	7
SPA 100X1	1	48	40	20	1
SPA 100X2	2	60	45	35	1
SPA 100X3	3			50	7
SPA 100X4	4		52	65	2
SPA 100X5	5		52	80	2

Pitch Diameter dw (mm)	Grooves No.	N	L (mm)	W (mm)	Type
SPA 106X1	1	48	40	20	1
SPA 106X2	2	60	45	35	1
SPA 106X3	3			50	7
SPA 106X5	5		52	80	2
SPA 112X1	1	48	40	20	1
SPA 112X2	2	60	45	35	1
SPA 112X3	3			50	7
SPA 112X4	4		52	65	2
SPA 112X5	5		52	80	2
SPA 118X1	1	60	40	20	1
SPA 118X2	2	60	45	35	1
SPA 118X3	3			50	7
SPA 118X4	4		52	65	2
SPA 118X5	5		52	80	2
SPA 125X1	1	60	40	20	1
SPA 125X2	2	60	45	35	1
SPA 125X3	3			50	7
SPA 125X4	4		52	65	2
SPA 132X1	1	60	40	20	1
SPA 132X2	2	60	45	35	1
SPA 132X3	3			50	7
SPA 132X4	4		52	65	2
SPA 132X5	5		52	80	2
SPA 140X1	1	60	40	20	3
SPA 140X2	2	60	45	35	3
SPA 140X3	3	65	52	50	3
SPA 140X4	4		52	65	2
SPA 140X5	5		52	80	2
SPA 150X1	1	60	40	20	3
SPA 150X2	2	60	45	35	3
SPA 150X3	3	65	52	50	3
SPA 150X4	4		52	65	2
SPA 150X5	5		52	80	2
SPA 160X1	1	60	40	20	3
SPA 160X2	2	60	45	35	3
SPA 160X3	3	70	52	50	3
SPA 160X4	4	70	52	65	4
SPA 160X5	5	80	52	80	4
SPA 170X1	1	60	40	20	3
SPA 170X2	2	60	45	35	3
SPA 170X3	3	70	52	50	3
SPA 170X4	4	80	60	65	4
SPA 170X5	5	80	65	80	4

SPA - SECTION

Pitch Diameter dw (mm)	Grooves No.	N	L (mm)	W (mm)	Type
SPA 180X1	1	65	40	20	3
SPA 180X2	2	70	50	35	3
SPA 180X3	3	70	52	50	3
SPA 180X4	4	80	60	65	4
SPA 180X5	5	80	65	80	4
SPA 190X2	1	70	50	35	3
SPA 190X3	2	70	52	50	3
SPA 190X4	3	80	60	65	4
SPA 200X1	1	65	45	20	3
SPA 200X2	2	70	50	35	3
SPA 200X3	3	70	52	50	3
SPA 200X4	4	80	60	65	4
SPA 200X5	5	80	65	80	4
SPA 212X1	1	65	40	20	3
SPA 212X1	2	70	45	35	3
SPA 224X1	1	65	45	20	3
SPA 224X2	2	70	50	35	3
SPA 224X3	3	80	52	50	3
SPA 224X4	4	90	60	65	4
SPA 224X5	5	90	65	80	4
SPA 236X1	1		50	20	3
SPA 236X2	2		60	35	3
SPA 250X1	1	75	50	20	3
SPA 250X1	2	75	50	35	3
SPA 250X1	3	80	60	50	3
SPA 250X1	4	90	65	65	3
SPA 250X1	5	90	65	80	4
SPA 280X1	1	75	50	20	5
SPA 280X2	2	80	50	35	5
SPA 280X3	3	80	60	50	5
SPA 280X4	4	90	65	65	5
SPA 300X1	1	75	50	20	5
SPA 300X2	2	80	50	35	5
SPA 300X3	3	80	60	50	5
SPA 300X4	4	90	65	65	5
SPA 300X5	5	100	65	80	6
SPA 315X1	1	75	60	20	5
SPA 315X2	2	80	50	35	5
SPA 315X3	3	90	60	50	5
SPA 315X4	4	90	65	65	5
SPA 315X5	5	100	65	80	6
SPA 355X1	1	75	50	20	5
SPA 355X2	2	80	50	35	5

Pitch Diameter dw (mm)	Grooves No.	N	L (mm)	W (mm)	Type
SPA 355X3	3	90	60	50	5
SPA 355X4	4	90	65	65	5
SPA 355X5	5	100	65	80	6
SPA 400X1	1	90	50	20	5
SPA 400X2	2	90	50	35	5
SPA 400X3	3	100	60	50	5
SPA 400X4	4	100	65	65	5
SPA 400X5	5	100	65	80	6
SPA 450X1	1	90	50	20	5
SPA 450X2	2	100	50	35	5
SPA 450X3	3	100	60	50	5
SPA 450X4	4	105	65	65	6
SPA 450X5	5	105	65	80	6
SPA 500X1	1	90	50	20	5
SPA 500X2	2	100	50	35	5
SPA 500X3	3	105	60	50	5
SPA 500X4	4	105	65	65	6
SPA 500X5	5	110	65	80	6
SPA 560X1	1	100	50	20	5
SPA 560X2	2	100	50	35	5
SPA 560X3	3	120	65	50	5
SPA 560X4	4	120	65	65	5
SPA 560X5	5	120	80	80	5
SPA 560X5	6	120	80	95	6
SPA 630X1	1	100	50	20	5
SPA 630X2	2	110	50	35	5
SPA 630X3	3	120	65	50	5
SPA 630X4	4	120	65	65	5
SPA 630X5	5	120	80	80	5
SPA 630X6	6	120	80	95	6

SPB - SECTION

Pitch Diameter dw (mm)	Grooves No.	N	L (mm)	W (mm)	Type
SPB 63X1	1	45	45	25	1
SPB 70X1	1	45	45	25	1
SPB 70X2	2	45	55	44	1
SPB 71X3	3			63	7
SPB 80X1	1	50	45	25	1
SPB 80X2	2	50	55	44	1
SPB 80X3	3			25	1
SPB 80X4	4			44	1
SPB 80X5	5			63	7

SPB - SECTION

Pitch Diameter dw (mm)	Grooves No.	N	L (mm)	W (mm)	Type
SPB 85X1	1	50	45	25	1
SPB 85X2	2	50	55	44	1
SPB 85X3	3			63	7
SPB 90X1	1	50	45	25	1
SPB 90X2	2	50	55	44	1
SPB 90X3	3			63	7
SPB 90X4	4			82	7
SPB 90X5	5			101	7
SPB 95X1	1	50	45	25	1
SPB 100X1	1	52	45	25	1
SPB 100X2	2	55	55	44	1
SPB 100X3	3			63	7
SPB 100X4	4			82	7
SPB 100X5	5			101	7
SPB 106X1	1		45	25	1
SPB 106X2	2		55	44	1
SPB 112X1	1	55	45	25	1
SPB 112X2	2	60	55	44	1
SPB 112X3	3			63	7
SPB 112X4	4			82	7
SPB 112X5	5			101	7
SPB 118X1	1	55	45	25	1
SPB 118X2	2	60	55	44	1
SPB 118X3	3			63	7
SPB 118X4	4			82	7
SPB 118X5	5			101	7
SPB 118X6	6			120	7
SPB 120X1	1	55	45	25	1
SPB 120X2	2	60	55	44	1
SPB 120X3	3			63	7
SPB 120X4	4			82	7
SPB 120X5	5			101	7
SPB 120X6	6			120	7
SPB 125X1	1	58	45	25	1
SPB 125X2	2	60	55	44	1
SPB 125X3	3		60	63	2
SPB 125X4	4		60	82	2
SPB 125X5	5		60	101	2
SPB 125X6	6		60	120	2
SPB 132X1	1	60	45	25	1
SPB 132X2	2	60	55	44	1
SPB 132X3	3		60	63	2
SPB 132X4	4		60	82	2

Pitch Diameter dw (mm)	Grooves No.	N	L (mm)	W (mm)	Type
SPB 132X5	5		60	101	2
SPB 132X6	6		60	120	2
SPB 140X1	1	65	45	25	1
SPB 140X2	2	65	55	44	1
SPB 140X3	3		60	63	2
SPB 140X4	4		60	82	2
SPB 140X5	5		60	101	2
SPB 140X6	6		60	120	2
SPB 150X1	1	65	45	25	1
SPB 150X2	2	65	55	44	1
SPB 150X3	3		60	63	2
SPB 150X4	4		60	82	2
SPB 150X5	5		60	101	2
SPB 150X6	6		60	120	2
SPB 160X1	1	65	45	25	3
SPB 160X2	2	70	55	44	3
SPB 160X3	3		60	63	2
SPB 160X4	4		60	82	2
SPB 160X5	5		60	101	2
SPB 160X6	6		65	120	2
SPB 170X1	1	65	45	25	3
SPB 170X2	2	70	55	44	3
SPB 170X3	3	70	60	63	4
SPB 170X4	4	70	60	82	4
SPB 170X5	5	70	60	101	4
SPB 170X6	6	70	65	120	4
SPB 180X1	1	65	45	25	3
SPB 180X2	2	70	55	44	3
SPB 180X3	3	80	60	63	4
SPB 180X4	4	80	60	82	4
SPB 180X5	5	80	70	101	4
SPB 180X6	6	80	70	120	4
SPB 190X1	1	65	45	25	3
SPB 190X2	2	70	55	44	3
SPB 200X1	1	70	45	25	3
SPB 200X2	2	70	55	44	3
SPB 200X3	3	80	60	63	4
SPB 200X4	4	88	60	82	4
SPB 200X5	5	96	70	101	4
SPB 200X6	6	96	70	120	4
SPB 212X1	1	70	45	25	3
SPB 212X2	2	77	55	44	3
SPB 212X3	3	80	60	63	4

SPB - SECTION continued

Pitch Diameter dw (mm)	Grooves No.	N	L (mm)	W (mm)	Type
SPB 212X4	4	88	60	82	4
SPB 212X5	5	96	70	101	4
SPB 212X6	6	104	80	120	4
SPB 224X1	1	70	45	25	3
SPB 224X2	2	77	55	44	3
SPB 224X3	3	80	60	63	4
SPB 224X4	4	88	60	82	4
SPB 224X5	5	96	70	101	4
SPB 224X6	6	104	80	120	4
SPB 250X1	1	70	50	25	3
SPB 250X2	2	77	55	44	3
SPB 250X3	3	80	60	63	4
SPB 250X4	4	96	65	82	4
SPB 250X5	5	104	75	101	4
SPB 250X6	6	104	80	120	4
SPB 280X1	1	76	50	25	3
SPB 280X2	2	80	55	44	3
SPB 280X3	3	90	60	63	4
SPB 280X4	4	96	65	82	4
SPB 280X5	5	104	75	101	4
SPB 280X6	6	104	80	120	4
SPB 300X1	1	76	50	25	3
SPB 300X2	2	80	55	44	3
SPB 300X3	3	90	60	63	4
SPB 300X4	4	96	65	82	4
SPB 300X5	5	104	75	101	4
SPB 300X6	6	104	80	120	4
SPB 315X1	1	76	50	25	5
SPB 315X2	2	88	60	44	5
SPB 315X3	3	90	60	63	6
SPB 315X4	4	96	65	82	6
SPB 315X5	5	104	75	101	6
SPB 315X6	6	120	90	120	6
SPB 355X1	1	80	50	25	5
SPB 355X2	2	88	60	44	5
SPB 355X3	3	92	60	63	6
SPB 355X4	4	96	65	82	6
SPB 355X5	5	104	75	101	6
SPB 355X6	6	120	90	120	6
SPB 400X1	1	85	55	25	5
SPB 400X2	2	88	60	44	5
SPB 400X3	3	96	65	63	5
SPB 400X4	4	104	75	82	6

Pitch Diameter dw (mm)	Grooves No.	N	L (mm)	W (mm)	Type
SPB 400X5	5	112	85	101	6
SPB 400X6	6	120	100	120	6
SPB 425X3	3	96	65	63	5
SPB 425X4	4	104	75	82	6
SPB 425X5	5	112	85	101	6
SPB 450X1	1	90	60	25	5
SPB 450X2	2	90	60	44	5
SPB 450X3	3	96	65	63	5
SPB 450X4	4	104	75	82	6
SPB 450X5	5	112	85	101	6
SPB 450X6	6	120	100	120	6
SPB 500X1	1	100	60	25	5
SPB 500X2	2	100	65	44	5
SPB 500X3	3	104	75	63	5
SPB 500X4	4	112	85	82	5
SPB 500X5	5	120	90	101	6
SPB 500X6	6	128	105	120	6
SPB 600X1	1	100	60	25	5
SPB 600X2	2	100	65	44	5
SPB 600X3	3	104	75	63	5
SPB 600X4	4	115	85	82	5
SPB 600X5	5	120	90	101	6
SPB 600X6	6	129	105	120	6
SPB 630X1	1	100	60	25	5
SPB 630X2	2	100	65	44	5
SPB 630X3	3	105	75	63	5
SPB 630X4	4	120	85	82	5
SPB 630X5	5	128	90	101	6
SPB 630X6	6	140	105	120	6

SPC - SECTION








Pitch Diameter dw (mm)	Grooves No.	N	L (mm)	W (mm)	Type
SPC 100X1	1	60	50	34.0	1
SPC 120X1	1	65	50	34.0	1
SPC 120X2	2			59.5	7
SPC 140X1	1	70	50	34.0	1
SPC 140X2	2			59.5	7
SPC 140X3	3		65	85.0	2
SPC 140X4	4		80	110.5	2
SPC 150X1	1	70	50	34.0	1
SPC 150X2	2			59.5	7
SPC 150X3	3		65	85.0	2

SPC - SECTION continued

Pitch Diameter dw (mm)	Grooves No.	N	L (mm)	W (mm)	Type
SPC 150X4	4		80	110.5	2
SPC 150X5	5		96	136.0	2
SPC 160X1	1	72	50	34.0	1
SPC 160X2	2			59.5	7
SPC 160X3	3		65	85.0	2
SPC 160X4	4		80	110.5	2
SPC 160X5	5		96	136.0	2
SPC 160X6	6		96	161.5	2
SPC 180X1	1	76	50	34.0	3
SPC 180X2	2	80		59.5	8
SPC 180X3	3	82	65	85.0	4
SPC 180X4	4	82	80	110.5	4
SPC 180X5	5	82	96	136.0	4
SPC 180X6	6	82	96	161.5	4
SPC 200X1	1	76	50	34.0	3
SPC 200X2	2	80	60	59.5	3
SPC 200X3	3	86	65	85.0	4
SPC 200X4	4	90	90	110.5	4
SPC 200X5	5	90	100	136.0	4
SPC 200X6	6	90	100	161.5	4
SPC 224X1	1	86	50	34.0	3
SPC 224X2	2	88	60	59.5	3
SPC 224X3	3	90	70	85.0	4
SPC 224X4	4	90	90	110.5	4
SPC 224X5	5	90	100	136.0	4
SPC 224X6	6	90	100	161.5	4
SPC 250X1	1	86	50	34.0	3
SPC 250X2	2	92	60	59.5	3
SPC 250X3	3	92	70	85.0	4
SPC 250X4	4	100	90	110.5	4
SPC 250X5	5	102	100	136.0	4
SPC 250X6	6	102	100	161.0	4
SPC 280X1	1	86	50	34.0	3
SPC 280X2	2	92	60	59.5	3
SPC 280X3	3	92	70	85.0	4
SPC 280X4	4	100	90	110.5	4
SPC 280X5	5	102	100	136.0	4
SPC 280X6	6	102	100	161.5	4
SPC 300X1	1	86	50	34.0	3
SPC 300X2	2	92	60	59.5	3
SPC 300X3	3	92	70	85.0	4
SPC 300X4	4	100	90	110.5	4
SPC 300X5	5	104	100	136.0	4

Pitch Diameter dw (mm)	Grooves No.	N	L (mm)	W (mm)	Type
SPC 300X6	6	104	100	161.5	4
SPC 315X1	1	92	50	34.0	5
SPC 315X2	2	92	60	59.5	5
SPC 315X3	3	92	70	85.0	6
SPC 315X4	4	110	90	110.5	4
SPC 315X5	5	112	100	136.0	4
SPC 315X6	6	112	100	161.5	4
SPC 335X1	1	100	50	34.0	5
SPC 335X2	2	100	60	59.5	5
SPC 335X3	3	100	70	85.0	6
SPC 335X4	4	114	90	110.5	6
SPC 335X5	5	114	100	136.0	6
SPC 335X6	6	114	100	161.5	6
SPC 355X1	1	110	50	34.0	5
SPC 355X2	2	110	60	59.5	5
SPC 355X3	3	110	70	85.0	6
SPC 355X4	4	114	90	110.5	6
SPC 355X5	5	114	100	136.0	6
SPC 355X6	6	114	100	161.5	6
SPC 400X1	1	110	60	34.0	5
SPC 400X2	2	110	70	59.5	5
SPC 400X3	3	114	90	85.0	5
SPC 400X4	4	114	90	110.5	6
SPC 400X5	5	120	100	136.0	6
SPC 400X6	6	120	100	161.5	6
SPC 450X1	1	110	60	34.0	5
SPC 450X2	2	110	70	59.5	5
SPC 450X3	3	114	90	85.0	5
SPC 450X4	4	120	90	110.5	6
SPC 450X5	5	120	100	136.0	6
SPC 450X6	6	120	100	161.5	6
SPC 500X1	1	114	60	34.0	5
SPC 500X2	2	114	70	59.5	5
SPC 500X3	3	114	90	85.0	5
SPC 500X4	4	126	90	110.5	6
SPC 500X5	5	126	100	136.0	6
SPC 500X6	6	126	100	161.5	6
SPC 560X1	1	114	60	34.0	5
SPC 560X2	2	114	70	59.5	5
SPC 560X3	3	114	90	85.0	5
SPC 560X4	4	130	100	110.5	6
SPC 560X5	5	130	100	136.0	6
SPC 560X6*	6	130	100	161.5	6

*Please enquire for product codes SPC600 to SPC630

	English
	Español
	Italiano
	Deutsch
	Français
	Nederlands
	Polskie

Engineering Data 74

Datos de ingeniería • Dati ingegneristici • Technische gegevens
 Données d'ingénierie • Technische gegevens • Dane Inżynieria

J - Section 75

J - sección • J - sezione • J - Bereich
 J - section • J - sectie • J - Sekcja

K - Section 76

K - sección • K - sezione • K - Sektion
 K - section • K - sectie • K - Sekcja

L - Section 77

L - sección • L - sezione • L - Sektion
 L - section • L - sectie • L - Sekcja

M - Section 78

M - sección • M - sezione • M - Sektion
 M - section • M - sectie • M - Sekcja



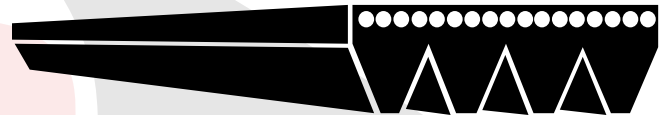
MICRO (POLY) V-BELTS

DUNLOP Micro V Belt combine high flexibility and the light weight of flat belts with the grip of V-Belts, this creates a high power rated special rib profile.

Micro V-Belts are endless rubber belts with longitudinal V shaped grooves. They transmit the motor power by friction from the driver to the driven side of a machine, giving the following advantages:

CONSTRUCTION AND FEATURES

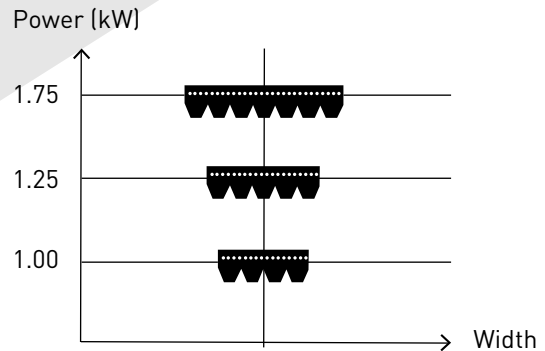
- The top layer is fabric-reinforced resisting reverse bending and possible wear caused by a back idler.
- The specially treated high-strength tensile member withstands the stresses with reduced and stable elongation.
- The longitudinally ribbed high-grip elastomer base offers a large contact surface.
- Compact smooth running drive system with low vibration.
- Difficult drive configurations such as serpentine or twisted drives, can be designed due to the high flexibility.
- Good resistance to mineral oils and temperatures between -30°C and +60°C (+80°C for short periods).
- Suitable for environments of high humidity.
- Suitable for H, J, K, L and M pulley profiles as specified in DIN 7867 and ISO 9982 and are also suitable for pulley profiles as specified in RMA IP26 and ASAE S 211.5 standards.
- Meets ISO standard 1813 for static conductivity.



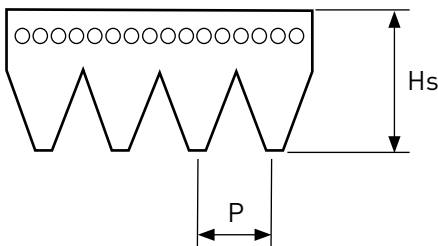
APPLICATIONS

For a given application, the belt is cut to the required number of ribs thus closely matching the required power rating. This makes it possible to obtain a unique, customised belt with optimum overall size.

The key qualities of DUNLOP Micro V belts are that for a given application vibrations are reduced and there is no need for the matching of sets.



PHYSICAL CHARACTERISTICS



	H	J	K	L	M
Centre distance P (mm)	1.60	2.34	3.56	4.70	9.40
Height Hs (mm)	3.0	3.5	6.0	9.5	16.5
Weight per rib (g/m)	5.9	8.4	20	30.9	124.1
Min. pulleys diameter (mm)	13	20	40	75	180
Min. reverse bend diameter (mm)	32	45	70	140	300

The belt code refers to the effective length in millimetres measured at the top of the pulleys, i.e. at the root of the belt ribs.



MICRO V-BELTS

Description

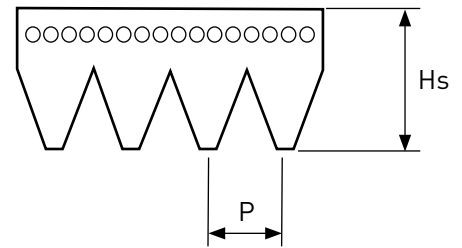
High Performance Micro V-Belts in endless construction and with triangular ribs running along the length of the belt, the entire power is transmitted by a single belt.

Drives can be reduced in size when compared with traditional V-belt drives as smaller pulleys can be used that will transmit equal or higher loads thereby reducing space requirements and cost.

Higher ratios and increased belt speeds can also be achieved.

Part numbers are identified by a 3 or 4 digit number (e.g. 1321) which represents the nominal length in mm, a letter (e.g. J) the cross section and a 2 digit number (e.g. 08) the number of ribs. 1321J08 etc.

Part No.	BELT TYPE	
	PITCH	Hs
J	2.34	4.00
K	3.56	5.50
L	4.70	9.50
M	9.40	16.70



J CROSS SECTION

Part No.	Effective Length (mm)	Effective Length (inches)
197J/RIB	197	7.8
207J/RIB	207	8.1
234J/RIB	234	9.2
254J/RIB	254	10.0
267J/RIB	267	10.5
274J/RIB	274	10.8
288J/RIB	288	11.3
300J/RIB	300	11.8
305J/RIB	305	12.0
330J/RIB	330	13.0
350J/RIB	350	13.8
356J/RIB	356	14.0
381J/RIB	381	15.0
406J/RIB	406	16.0
428J/RIB	428	16.9
432J/RIB	432	17.0
457J/RIB	457	18.0
483J/RIB	483	19.0
495J/RIB	495	19.5
508J/RIB	508	20.0
533J/RIB	533	21.0
559J/RIB	559	22.0
584J/RIB	584	23.0
610J/RIB	610	24.0
635J/RIB	635	25.0
650J/RIB	650	25.6
660J/RIB	660	26.0
685J/RIB	685	27.0

Part No.	Effective Length (mm)	Effective Length (inches)
711J/RIB	711	28.0
723J/RIB	723	28.5
726J/RIB	726	28.6
737J/RIB	737	29.0
762J/RIB	762	30.0
769J/RIB	769	30.3
787J/RIB	787	31.0
790J/RIB	790	31.1
813J/RIB	813	32.0
838J/RIB	838	33.0
864J/RIB	864	34.0
889J/RIB	889	35.0
895J/RIB	895	35.2
914J/RIB	914	36.0
938J/RIB	938	36.9
944J/RIB	944	37.2
955J/RIB	955	37.6
960J/RIB	960	37.8
965J/RIB	965	38.0
990J/RIB	990	39.0
995J/RIB	995	39.2
1016J/RIB	1016	40.0
1036J/RIB	1036	40.8
1040J/RIB	1040	40.9
1051J/RIB	1051	41.4
1054J/RIB	1054	41.5
1059J/RIB	1059	41.7
1065J/RIB	1065	41.9

Part No.	Effective Length (mm)	Effective Length (inches)
1067J/RIB	1067	42.0
1080J/RIB	1080	42.5
1089J/RIB	1089	42.9
1092J/RIB	1092	43.0
1100J/RIB	1100	43.3
1105J/RIB	1105	43.5
1108J/RIB	1108	43.6
1110J/RIB	1110	43.7
1116J/RIB	1116	43.9
1118J/RIB	1118	44.0
1123J/RIB	1123	44.2
1126J/RIB	1126	44.3
1130J/RIB	1130	44.5
1136J/RIB	1136	44.7
1143J/RIB	1143	45.0
1150J/RIB	1150	45.3
1160J/RIB	1160	45.7
1168J/RIB	1168	46.0
1170J/RIB	1170	46.1
1184J/RIB	1184	46.6
1190J/RIB	1190	46.9
1194J/RIB	1194	47.0
1200J/RIB	1200	47.2
1203J/RIB	1203	47.4
1210J/RIB	1210	47.6
1214J/RIB	1214	47.8
1219J/RIB	1219	48.0
1222J/RIB	1222	48.1

J - SECTION continued

Part No.	Effective Length (mm)	Effective Length (inches)
1232J/RIB	1232	48.5
1236J/RIB	1236	48.7
1244J/RIB	1244	49.0
1262J/RIB	1262	49.7
1270J/RIB	1270	50.0
1280J/RIB	1280	50.4
1283J/RIB	1283	50.5
1285J/RIB	1285	50.6
1287J/RIB	1287	50.7
1295J/RIB	1295	51.0
1302J/RIB	1302	51.3
1309J/RIB	1309	51.5
1315J/RIB	1315	51.8
1318J/RIB	1318	51.9
1321J/RIB	1321	52.0
1326J/RIB	1326	52.2
1333J/RIB	1333	52.5
1355J/RIB	1355	53.3
1365J/RIB	1365	53.7
1371J/RIB	1371	54.0

Part No.	Effective Length (mm)	Effective Length (inches)
1397J/RIB	1397	55.0
1428J/RIB	1428	56.2
1439J/RIB	1439	56.7
1461J/RIB	1461	57.5
1473J/RIB	1473	58.0
1524J/RIB	1524	60.0
1549J/RIB	1549	61.0
1600J/RIB	1600	63.0
1626J/RIB	1626	64.0
1651J/RIB	1651	65.0
1663J/RIB	1663	65.5
1702J/RIB	1702	67.0
1752J/RIB	1752	69.0
1778J/RIB	1778	70.0
1854J/RIB	1854	73.0
1895J/RIB	1895	74.6
1910J/RIB	1910	75.2
1930J/RIB	1930	76.0
1956J/RIB	1956	77.0
1960J/RIB	1960	77.2

Part No.	Effective Length (mm)	Effective Length (inches)
1965J/RIB	1965	77.4
1978J/RIB	1978	77.9
1981J/RIB	1981	78.0
1992J/RIB	1992	78.4
2019J/RIB	2019	79.5
2064J/RIB	2064	81.3
2083J/RIB	2083	82.0
2135J/RIB	2135	84.1
2155J/RIB	2155	84.8
2210J/RIB	2210	87.0
2286J/RIB	2286	90.0
2337J/RIB	2337	92.0
2413J/RIB	2413	95.0
2489J/RIB	2489	98.0
2870J/RIB	2870	113.0
3154J/RIB	3154	124.2
3500J/RIB	3500	137.8
4000J/RIB	4000	157.5

K - SECTION

Part No.	Effective Length (mm)	Effective Length (inches)
526K/RIB	526	20.7
560K/RIB	560	22.0
575K/RIB	575	22.6
582K/RIB	582	22.9
597K/RIB	597	23.5
633K/RIB	633	24.9
648K/RIB	648	25.5
655K/RIB	655	25.8
673K/RIB	673	26.5
682K/RIB	682	26.9
698K/RIB	698	27.5
710K/RIB	710	28.0
730K/RIB	730	28.7
740K/RIB	740	29.1
751K/RIB	751	29.6
755K/RIB	755	29.7
770K/RIB	770	30.3
775K/RIB	775	30.5
790K/RIB	790	31.1
805K/RIB	805	31.7
810K/RIB	810	31.9
815K/RIB	815	32.1
818K/RIB	818	32.2
830K/RIB	830	32.7

Part No.	Effective Length (mm)	Effective Length (inches)
841K/RIB	841	33.1
865K/RIB	865	34.1
869K/RIB	869	34.2
870K/RIB	870	34.3
875K/RIB	875	34.4
880K/RIB	880	34.6
884K/RIB	884	34.8
888K/RIB	888	35.0
903K/RIB	903	35.6
915K/RIB	915	36.0
920K/RIB	920	36.2
926K/RIB	926	36.5
938K/RIB	938	36.9
954K/RIB	954	37.6
960K/RIB	960	37.8
970K/RIB	970	38.2
990K/RIB	990	39.0
995K/RIB	995	39.2
1000K/RIB	1000	39.4
1015K/RIB	1015	40.0
1030K/RIB	1030	40.6
1035K/RIB	1035	40.7
1050K/RIB	1050	41.3
1080K/RIB	1080	42.5

Part No.	Effective Length (mm)	Effective Length (inches)
1095K/RIB	1095	43.1
1110K/RIB	1110	43.7
1125K/RIB	1125	44.3
1130K/RIB	1130	44.5
1146K/RIB	1146	45.1
1149K/RIB	1149	45.2
1165K/RIB	1165	45.9
1194K/RIB	1194	47.0
1205K/RIB	1205	47.4
1222K/RIB	1222	48.1
1230K/RIB	1230	48.4
1253K/RIB	1253	49.3
1272K/RIB	1272	50.1
1280K/RIB	1280	50.4
1295K/RIB	1295	51.0
1314K/RIB	1314	51.7
1330K/RIB	1330	52.4
1345K/RIB	1345	53.0
1360K/RIB	1360	53.5
1387K/RIB	1387	54.6
1397K/RIB	1397	55.0
1420K/RIB	1420	55.9
1425K/RIB	1425	56.1
1435K/RIB	1435	56.5

K - SECTION continued

Part No.	Effective Length (mm)	Effective Length (inches)
1460K/RIB	1460	57.5
1479K/RIB	1479	58.2
1496K/RIB	1496	58.9
1520K/RIB	1520	59.8
1530K/RIB	1530	60.2
1549K/RIB	1549	61.0
1560K/RIB	1560	61.4
1570K/RIB	1570	61.8
1580K/RIB	1580	62.2
1601K/RIB	1601	63.0
1610K/RIB	1610	63.4
1626K/RIB	1626	64.0
1630K/RIB	1630	64.2
1645K/RIB	1645	64.8
1658K/RIB	1658	65.3
1664K/RIB	1664	65.5
1682K/RIB	1682	66.2
1700K/RIB	1700	66.9
1725K/RIB	1725	67.9
1750K/RIB	1750	68.9
1760K/RIB	1760	69.3
1775K/RIB	1775	69.9
1795K/RIB	1795	70.7
1815K/RIB	1815	71.5

Part No.	Effective Length (mm)	Effective Length (inches)
1830K/RIB	1830	72.0
1843K/RIB	1843	72.6
1854K/RIB	1854	73.0
1863K/RIB	1863	73.3
1868K/RIB	1868	73.5
1880K/RIB	1880	74.0
1885K/RIB	1885	74.2
1900K/RIB	1900	74.8
1905K/RIB	1905	75.0
1930K/RIB	1930	76.0
1949K/RIB	1949	76.7
1963K/RIB	1963	77.3
1971K/RIB	1971	77.6
1980K/RIB	1980	78.0
2031K/RIB	2031	80.0
2050K/RIB	2050	80.7
2070K/RIB	2070	81.5
2080K/RIB	2080	81.9
2100K/RIB	2100	82.7
2115K/RIB	2115	83.3
2120K/RIB	2120	83.5
2145K/RIB	2145	84.4
2164K/RIB	2164	85.2
2170K/RIB	2170	85.4

Part No.	Effective Length (mm)	Effective Length (inches)
2205K/RIB	2205	86.8
2217K/RIB	2217	87.3
2225K/RIB	2225	87.6
2236K/RIB	2236	88.0
2245K/RIB	2245	88.4
2257K/RIB	2257	88.9
2300K/RIB	2300	90.6
2330K/RIB	2330	91.7
2355K/RIB	2355	92.7
2385K/RIB	2385	93.9
2391K/RIB	2391	94.1
2440K/RIB	2440	96.1
2460K/RIB	2460	96.9
2480K/RIB	2480	97.6
2515K/RIB	2515	99.0
2530K/RIB	2530	99.6
2540K/RIB	2540	100.0
2585K/RIB	2585	101.8
2612K/RIB	2612	102.8
2680K/RIB	2680	105.5
2835K/RIB	2835	111.6
2967K/RIB	2967	116.8
4122K/RIB	4122	162.3

L - SECTION

Part No.	Effective Length (mm)	Effective Length (inches)
954L/RIB	954	37.6
991L/RIB	991	39.0
1075L/RIB	1075	42.3
1194L/RIB	1194	47.0
1219L/RIB	1219	48.0
1270L/RIB	1270	50.0
1295L/RIB	1295	51.0
1333L/RIB	1333	52.5
1371L/RIB	1371	54.0
1397L/RIB	1397	55.0
1422L/RIB	1422	56.0
1480L/RIB	1480	58.3
1562L/RIB	1562	61.5
1613L/RIB	1613	63.5
1664L/RIB	1664	65.5
1715L/RIB	1715	67.5
1764L/RIB	1764	69.4
1803L/RIB	1803	71.0
1841L/RIB	1841	72.5

Part No.	Effective Length (mm)	Effective Length (inches)
1943L/RIB	1943	76.5
1981L/RIB	1981	78.0
2020L/RIB	2020	79.5
2055L/RIB	2055	80.9
2070L/RIB	2070	81.5
2096L/RIB	2096	82.5
2134L/RIB	2134	84.0
2197L/RIB	2197	86.5
2235L/RIB	2235	88.0
2324L/RIB	2324	91.5
2362L/RIB	2362	93.0
2477L/RIB	2477	97.5
2515L/RIB	2515	99.0
2705L/RIB	2705	106.5
2743L/RIB	2743	108.0
2845L/RIB	2845	112.0
2895L/RIB	2895	114.0
2921L/RIB	2921	115.0
2997L/RIB	2997	118.0

Part No.	Effective Length (mm)	Effective Length (inches)
3086L/RIB	3086	121.5
3124L/RIB	3124	123.0
3289L/RIB	3289	129.5
3327L/RIB	3327	131.0
3492L/RIB	3492	137.5
3630L/RIB	3630	142.9
3696L/RIB	3696	145.5
4051L/RIB	4051	159.5
4191L/RIB	4191	165.0
4318L/RIB	4318	170.0
4470L/RIB	4470	176.0
4622L/RIB	4622	182.0
5029L/RIB	5029	198.0
5385L/RIB	5385	212.0
6096L/RIB	6096	240.0
6500L/RIB	6500	255.9
7055L/RIB	7055	277.8

M - SECTION

Part No.	Nominal Effective Length (mm)	Nominal Effective Length (inches)
2286M/RIB	2286	90.0
2388M/RIB	2388	94.0
2515M/RIB	2515	99.0
2693M/RIB	2693	106.0
2832M/RIB	2832	111.5
2921M/RIB	2921	115.0
3010M/RIB	3010	118.5
3124M/RIB	3124	123.0
3327M/RIB	3327	131.0
3531M/RIB	3531	139.0

Part No.	Nominal Effective Length (mm)	Nominal Effective Length (inches)
3734M/RIB	3734	147.0
4089M/RIB	4089	161.0
4191M/RIB	4191	165.0
4470M/RIB	4470	176.0
4648M/RIB	4648	183.0
5029M/RIB	5029	198.0
5410M/RIB	5410	213.0
6121M/RIB	6121	241.0
6502M/RIB	6502	256.0
6883M/RIB	6883	271.0

Part No.	Nominal Effective Length (mm)	Nominal Effective Length (inches)
7646M/RIB	7646	301.0
8408M/RIB	8408	331.0
9169M/RIB	9169	361.0
9931M/RIB	9931	391.0
10693M/RIB	10693	421.0
12217M/RIB	12217	481.0
13741M/RIB	13741	541.0
15266M/RIB	15266	601.0





English



Español



Italiano



Deutsch



Français



Nederlands



Polskie

Engineering Data

Datos de ingeniería • Dati ingegneristici • Technische gegevens
Données d'ingénierie • Technische gegevens • Dane Inżynieria

J - Section

J - sección • J - sezione • J - Bereich
J - section • J - sectie • J - Sekcja

L - Section

L - sección • L - sezione • L - Sektion
L - section • L - sectie • L - Sekcja

80

82

84



ENGINEERING DATA MICRO V-PULLEYS

Characteristics

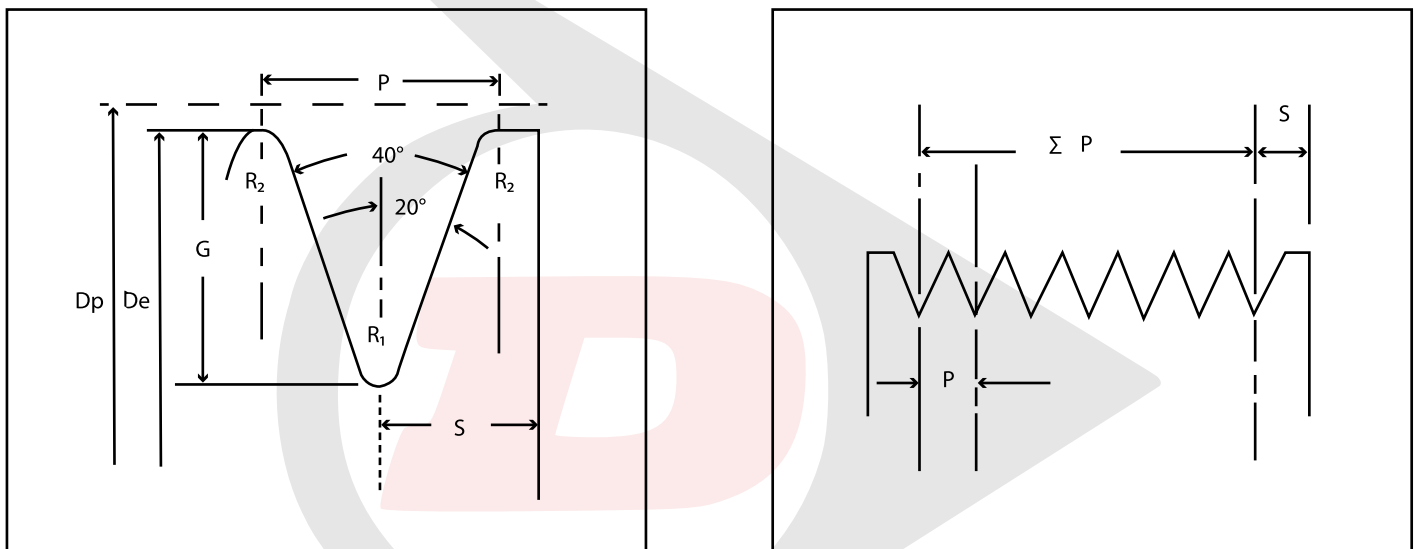
Dunlop Micro V-pulleys are manufactured with extreme care and they do not show any superficial defect or tool traces. Every pulley is subject to dimensional controls in order to point out pitch tolerance of two grooves.

Advantages

Always one single belt used. That avoids any problem due to belt length differences. Low weight and space occupied. Very high transmission ratio. High power transmitted. High linear speed (up to 60m/s in "J" section). Low noise and vibration. No heating.

Materials

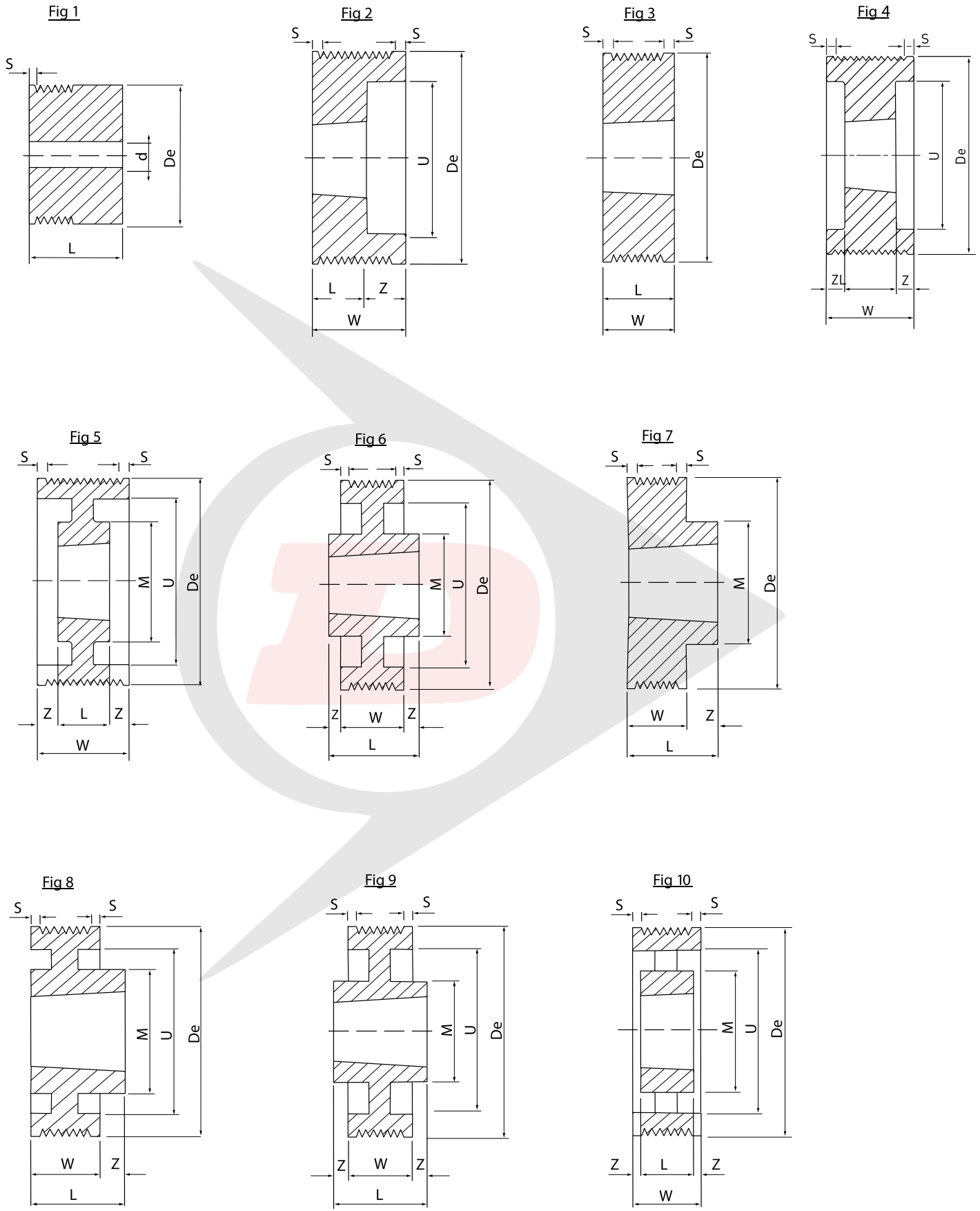
Steel for solid hub pulleys; cast-iron GG25 DIN 1691 for taper-bush pulleys (PYB).



Groove dimensions and tolerances of Poly -V pulleys according to ISO 9982

Section	P (mm)	G (mm)	R _{2 min} (mm)	R ₁ (mm)	S _{min}	tolerance (mm)	Dp - De (mm)
J	2,34 ±0,03	2,21 ±0,13	0,20	0,34 ±0,06	1,8	±0,30	2
L	4,70 ±0,050	5,11 ±0,13	0,40	0,34 ±0,06	3,3	±0,30	5
M	9,40 ±0,08	10,21 ±0,24	0,75	0,62 ±0,13	6,4	±0,30	10

MICRO V-PULLEY TYPES





MICRO V PULLEYS



MICRO V-PULLEYS

Description

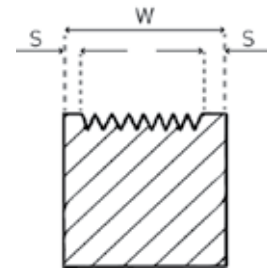
Dunlop micro V-pulleys are manufactured from cast iron EN-GJL-200 UNI EN1561 and are black phosphated according to ISO 9982 norms. All pulleys are statically balanced for peripheral speeds up to 35 m/sec.

Micro V-Pulleys are available in both 'J' & 'L' cross sections and are available from stock in both taper and pilot bore options.

Part numbers are identified by 3 numbers (e.g. 100) which represents the pitch circle diameter, a letter (e.g. L) the pulleys pitch/belt cross section and a 2 digit number (e.g. 12) the number of grooves, for example 100L12.

J Section

Groove No.	4	8	12	16	20
W (mm)	13.5	23	32.5	42	52
S (mm)	3.24	3.31	3.38	3.45	3.77



J SECTION

Part No.	Taper Bush Type	Fig	L (mm)	Z (mm)	M (mm)	U (mm)	d (mm)
20J04	-	1	22,5	-	-	-	5
20J08	-	1	32	-	-	-	5
20J12	-	1	41.5	-	-	-	5
20J16	-	1	51	-	-	-	5
20J20	-	1	61	-	-	-	5
25J04	-	1	22,5	-	-	-	5
25J08	-	1	32	-	-	-	5
25J12	-	1	41.5	-	-	-	5
25J16	-	1	51	-	-	-	5
25J20	-	1	61	-	-	-	5
30J04	-	1	22,5	-	-	-	9.5
30J08	-	1	32	-	-	-	9.5
30J12	-	1	41.5	-	-	-	9.5
30J16	-	1	51	-	-	-	9.5
30J20	-	1	61	-	-	-	9.5
35J04	-	1	22.5	-	-	-	9.5
35J08	-	1	32	-	-	-	9.5
35J12	-	1	41.5	-	-	-	9.5
35J16	-	1	51	-	-	-	9.5
35J20	-	1	61	-	-	-	9.5
40J04	-	1	22.5	-	-	-	12
40J08	-	1	32	-	-	-	12
40J12	-	1	41.5	-	-	-	12
40J16	-	1	51	-	-	-	12
40J20	-	1	61	-	-	-	12
45J04	-	1	22.5	-	-	-	12
45J08	-	1	32	-	-	-	12
45J12	-	1	41.5	-	-	-	12

Part No.	Taper Bush Type	Fig	L (mm)	Z (mm)	M (mm)	U (mm)	d (mm)
45J16	-	1	51	-	-	-	12
45J20	-	1	61	-	-	-	12
50J04	-	1	22.5	-	-	-	12
50J08	-	1	32	-	-	-	12
50J12	-	1	41.5	-	-	-	12
50J16	-	1	51	-	-	-	12
50J20	-	1	61	-	-	-	12
56J04	1108	7	23	9.5	50	-	-
56J08	1108	3	23	-	-	-	-
56J12	-	1	41.5	-	-	-	12
56J16	-	1	51	-	-	-	12
56J20	-	1	61	-	-	-	12
60J04	1108	7	23	9.5	50	-	-
60J08	1108	3	23	-	-	-	-
60J12	1108	2	23	9.5	-	45	-
60J16	-	1	51	-	-	-	12
60J20	-	1	61	-	-	-	12
63J04	1108	7	23	9.5	50	-	-
63J08	1108	3	23	-	-	-	-
63J12	1108	2	23	9.5	-	45	-
63J16	-	1	51	-	-	-	12
63J20	-	1	61	-	-	-	12
67J04	1108	7	23	9.5	50	-	-
67J08	1108	3	23	-	-	-	-
67J12	1108	2	23	9.5	-	51	-
67J16	-	1	51	-	-	-	12
67J20	-	1	61	-	-	-	12
71J04	1108	7	23	9.5	60	-	-

J SECTION continued

Part No.	Taper Bush Type	Fig	L (mm)	Z (mm)	M (mm)	U (mm)
71J08	1108	3	23	-	-	-
71J12	1108	2	23	9.5	-	55
71J16	1215	3	42	-	-	55
71J20	1215	2	42	10	-	55
75J04	1108	7	23	9.5	60	-
75J08	1108	3	23	-	-	-
75J12	1210	2	26	6.5	-	59
75J16	1610	2	26	16	-	59
75J20	1615	2	42	10	-	59
80J04	1210	7	26	12.5	70	-
80J08	1210	7	26	3	70	-
80J12	1610	2	26	6.5	-	64
80J16	1610	2	26	16	-	64
80J20	1615	2	42	10	-	64
85J04	1310	7	26	12.5	70	-
85J08	1310	7	26	3	70	-
85J12	1610	2	26	6.5	-	69
85J16	1610	2	26	16	-	69
85J20	1615	2	42	10	-	69
90J04	1610	7	26	12.5	82	-
90J08	1610	7	26	3	82	-
90J12	1610	2	26	6.5	-	74
90J16	1610	2	26	16	-	74
90J20	1615	2	42	10	-	74
95J04	1610	7	26	12.5	82	-
95J08	1610	7	26	3	82	-
95J12	1610	2	26	6.5	-	79
95J16	1610	2	26	16	-	79
95J20	1615	2	42	10	-	79
100J04	1610	7	26	12.5	82	-
100J08	1610	7	26	3	82	-
100J12	1610	2	26	6.5	-	82
100J16	1610	2	26	16	-	82
100J20	1615	2	42	10	-	82
106J04	1610	7	26	12.5	88	-
106J08	1610	7	26	3	88	-
106J12	1610	2	26	6.5	-	88
106J16	1610	2	26	16	-	88
106J20	1615	2	42	10	-	88
112J04	1610	7	26	12.5	90	-
112J08	1610	7	26	3	90	-
112J12	1610	2	26	6.5	-	94
112J16	1610	2	26	16	-	94
112J20	1615	2	42	10	-	94
118J04	1610	7	26	12.5	90	-
118J08	1610	7	26	3	90	-
118J12	2012	2	32	6.5	-	98
118J16	2012	2	32	16	-	98
118J20	2512	2	32	10	-	98
125J04	1610	8	26	12.5	90	105

Part No.	Taper Bush Type	Fig	L (mm)	Z (mm)	M (mm)	U (mm)
125J08	1610	8	26	3	90	105
125J12	2012	2	32	0.5	-	105
125J16	2012	2	32	10	-	105
125J20	2517	2	45	7	-	105
132J04	1610	8	26	12.5	90	116
132J08	1610	8	26	3	90	116
132J12	2012	2	32	0.5	-	112
132J16	2012	2	32	10	-	112
132J20	2517	2	45	7	-	112
140J04	1610	8	26	12.5	90	124
140J08	1610	8	26	3	90	124
140J12	2517	7	45	12.5	120	-
140J16	2517	7	45	3	120	-
140J20	2517	2	45	7	-	124
160J04	2012	8	32	18.5	110	144
160J08	2012	8	32	9	110	144
160J12	2517	8	45	12.5	120	140
160J16	2517	8	45	3	120	140
160J20	2517	2	45	7	-	140
180J04	2012	6	32	9.25	110	164
180J08	2012	6	32	4.5	110	164
180J12	2517	6	45	6.25	120	160
180J16	2517	6	45	1.5	120	160
180J20	2517	5	45	3.5	120	160
200J04	2012	6	32	9.25	110	185
200J08	2012	6	32	4.5	110	185
200J12	2517	6	45	6.25	120	180
200J16	2517	6	45	1.5	120	180
200J20	2517	5	45	3.5	120	180
224J04	2012	6	32	9.25	110	208
224J08	2012	6	32	4.5	110	208
224J12	2517	6	45	6.25	120	204
224J16	2517	6	45	1.5	120	204
224J20	2517	5	45	3.5	120	204
250J04	2012	9	32	9.25	110	234
250J08	2012	9	32	4.5	110	234
250J12	2517	9	45	6.25	120	230
250J16	2517	6	45	1.5	120	230
250J20	2517	5	45	3.5	120	230
280J04	2517	9	32	9.25	110	264
280J08	2517	9	32	4.5	110	264
280J12	2517	9	45	6.25	120	260
280J16	2517	9	45	1.5	120	260
280J20	2517	10	45	3.5	120	260
315J08	2517	9	32	4.5	110	299
315J12	2517	9	45	6.25	120	295
315J16	3020	9	45	1.5	120	295
315J20	3020	10	45	3.5	120	295
355J04	2517	9	45	15.75	120	339

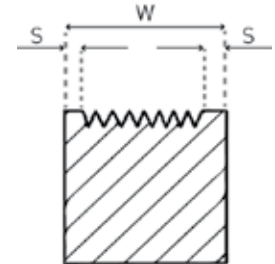
J - SECTION continued

Part No.	Taper Bush Type	Fig	L (mm)	Z (mm)	M (mm)	U (mm)
355J08	2517	9	45	11	120	339
355J12	2517	9	45	6.25	120	335
355J16	3020	9	52	5	146	335
355J20	3020	10	52	-	146	335
400J04	2517	9	45	15.75	120	380

Part No.	Taper Bush Type	Fig	L (mm)	Z (mm)	M (mm)	U (mm)
400J08	2517	9	45	11	120	380
400J12	2517	9	45	6.25	120	380
400J16	3020	9	52	5	146	380
400J20	3020	10	52	-	146	380

L Section

Groove No.	6	8	10	12	16	20
W (mm)	38.5	48	57	67	86	105
S (mm)	7.50	7.55	7.35	7.65	7.75	7.85



L - SECTION

Part No.	Groove No.	Taper Bush Type	Fig	L (mm)	Z (mm)	U (mm)
75L06	6	1210	2	26	12.5	56
75L08	8	1210	2	26	22	56
75L10	10	1215	2	42	15	56
75L12	12	1215	2	42	25	56
80L06	6	1210	2	26	12.5	56
80L08	8	1210	2	26	22	56
80L10	10	1215	2	42	15	56
80L12	12	1215	2	42	25	56
85L06	6	1210	2	26	12.5	61
85L08	8	1210	2	26	22	61
85L10	10	1215	2	42	15	61
85L12	12	1215	2	42	25	61
85L16	16	1215	4	42	22	61
90L06	6	1210	2	26	12.5	66
90L08	8	1210	2	26	22	66
90L10	10	1215	2	42	15	66
90L12	12	1215	2	42	25	66
90L16	16	1215	4	42	22	66
95L06	6	1210	2	26	12.5	71
95L08	8	1210	2	26	22	71
95L10	10	1215	2	42	15	71
95L12	12	1215	2	42	25	71
95L16	16	1215	4	42	22	71
100L06	6	1610	2	26	12.5	76
100L08	8	1610	2	26	26	76
100L10	10	2012	2	32	25	79
100L12	12	2012	2	32	35	79
100L16	16	2012	4	32	27	79
106L06	6	1610	2	26	12.5	82
106L08	8	1610	2	26	22	82
106L10	10	2012	2	32	25	82

Part No.	Groove No.	Taper Bush Type	Fig	L (mm)	Z (mm)	M (mm)	U (mm)
106L12	12	2012	2	32	35	-	82
106L16	16	2012	4	32	27	-	82
112L06	6	1610	2	26	12.5	-	88
112L08	8	1610	2	26	22	-	88
112L10	10	2012	2	32	25	-	88
112L12	12	2012	2	32	35	-	88
112L16	16	2012	4	32	27	-	88
118L06	6	2012	2	32	6.5	-	94
118L08	8	2012	2	32	16	-	94
118L10	10	2517	4	45	6	-	97
118L12	12	2517	4	45	11	-	97
118L16	16	2517	4	45	20.5	-	97
118L20	20	2517	4	45	30	-	97
125L06	6	2012	2	32	6.5	-	101
125L08	8	2012	2	32	16	-	101
125L10	10	2017	4	45	6	-	101
125L12	12	2017	4	45	11	-	101
125L16	16	2017	4	45	20.5	-	101
125L20	20	2017	4	45	30	-	101
132L06	6	2512	2	32	6.5	-	108
132L08	8	2512	2	32	16	-	108
132L10	10	2517	4	45	6	-	108
132L12	12	2517	4	45	11	-	108
132L16	16	2517	4	45	20.5	-	108
132L20	20	2517	4	45	30	-	108
140L06	6	2512	7	45	6.5	120	-
140L08	8	2512	2	45	3	-	116
140L10	10	2517	4	45	6	-	116
140L12	12	2517	4	45	11	-	116
140L16	16	2517	4	45	20.5	-	116
140L20	20	3020	4	52	26.5	-	116

L - SECTION continued

Part No.	Groove No.	Taper Bush Type	Fig	L (mm)	Z (mm)	M (mm)	U (mm)
150L06	6	2512	7	45	6.5	120	-
150L08	8	2512	2	45	3	-	126
150L10	10	2517	4	45	6	-	126
150L12	12	2517	4	45	11	-	126
150L16	16	3020	4	45	20.5	-	126
150L20	20	3020	4	52	26.5	-	126
160L06	6	2517	45	6.5	120	120	-
160L08	8	2517	45	3	-	-	136
160L10	10	2517	45	6	-	-	136
160L12	12	2517	45	11	-	-	136
160L16	16	3020	52	17	-	-	136
160L20	20	3020	52	26.5	-	-	136
170L06	6	2517	6	45	6.5	120	146
170L08	8	2517	5	45	3	-	146
170L10	10	2517	5	45	6	-	146
170L12	12	2517	5	45	11	-	146
170L16	16	3020	4	52	17	-	146
170L20	20	3020	4	52	26.5	-	146
180L06	6	2517	6	45	3.25	120	156
180L08	8	2517	5	45	1.5	120	156
180L10	10	2517	5	45	6	120	156
180L12	12	2517	5	45	11	120	156
180L16	16	3020	4	52	17	-	156
180L20	20	3020	4	52	26.5	-	156
190L06	6	2517	6	45	3.25	120	166
190L08	8	2517	5	45	1.5	120	166
190L10	10	2517	5	45	6	120	166
190L12	12	2517	5	45	11	120	166
190L16	16	3020	5	52	17	146	166
190L20	20	3020	5	52	26.5	146	166
200L06	6	2517	6	45	3.25	120	176
200L08	8	2517	5	45	1.5	120	176
200L10	10	3020	5	52	2.5	146	176
200L12	12	3020	5	52	7.5	146	176
200L16	16	3020	5	52	17	146	176
200L20	20	3535	4	89	8	-	176
212L06	6	2517	6	45	3.25	120	188
212L08	8	2517	5	45	1.5	120	188
212L10	10	3020	5	52	2.5	146	188
212L12	12	3020	5	52	7.5	146	188
212L16	16	3020	5	52	17	146	188
212L20	20	3535	5	89	8	-	188
224L06	6	2517	6	45	3.25	120	202
224L08	8	2517	5	45	1.5	120	202
224L10	10	3020	5	52	2.5	146	202
224L12	12	3020	5	52	7.5	146	202
224L16	16	3020	5	52	17	146	202
224L20	20	3535	5	89	8	178	202
236L06	6	2517	6	45	3.25	120	214
236L08	8	2517	5	45	1.5	120	214
236L10	10	3020	5	52	2.5	146	214

De (mm)	Groove No.	Taper Bush Type	Fig	L (mm)	Z (mm)	M (mm)	U (mm)
236L12	12	3020	5	52	7.5	146	214
236L16	16	3020	5	52	17	146	214
236L20	20	3535	5	89	8	178	214
250L06	6	2517	9	45	3.25	120	228
250L08	8	2517	5	45	1.5	120	228
250L10	10	3020	5	52	2.5	146	228
250L12	12	3020	5	52	7.5	146	228
250L16	16	3020	5	52	17	146	228
250L20	20	3535	5	89	8	178	226
280L06	6	2517	6	45	3.25	120	256
280L08	8	3020	6	52	1.5	146	256
280L10	10	3020	5	52	2.5	146	256
280L12	12	3020	5	52	7.5	146	256
280L16	16	3535	6	89	17	178	256
280L20	20	3535	5	89	8	178	256
315L06	6	2517	9	45	3.25	120	285
315L08	8	3020	9	52	2	146	285
315L10	10	3535	6	89	16	178	285
315L12	12	3535	6	89	11	178	285
315L16	16	3535	6	89	1.5	178	285
315L20	20	4040	5	102	1.5	215	285
400L06	6	3020	9	52	6.25	146	325
400L08	8	3020	9	52	2	146	325
400L10	10	3535	9	89	16	178	325
400L12	12	3535	9	89	11	178	325
400L16	16	3535	9	89	1.5	178	325
400L20	20	4040	10	102	1.5	215	325
450L06	6	3020	9	52	6.75	146	420
450L08	8	3020	9	52	2	146	420
450L10	10	3535	9	89	16	178	420
450L12	12	3535	9	89	11	178	420
450L16	16	3535	9	89	1.5	178	420
450L20	20	4040	9	102	1.5	215	420
500L06	6	3020	9	52	6.75	146	470
500L08	8	3020	9	52	2	146	470
500L10	10	3535	9	89	16	178	470
500L12	12	3535	9	89	11	178	470
500L16	16	3535	9	89	1.5	178	470
500L20	20	5050	9	127	11	267	470
630L06	6	3020	9	52	6.75	146	600
630L08	8	3020	9	52	2	146	600
630L10	10	3535	9	89	16	178	600
630L12	12	3535	9	89	11	178	600
630L16	16	4040	9	102	8	215	600
630L20	20	5050	9	127	11	267	600
800L06	6	3535	9	89	25.2	178	770
800L08	8	3535	9	89	20.5	178	770
800L10	10	4040	9	102	22.5	215	770
800L12	12	4040	9	102	17.5	215	770
800L16	16	5050	9	127	20.5	267	770
800L20	20	5050	9	127	11	267	770



English



Español



Italiano



Deutsch



Français



Nederlands



Polskie

RPP Rubber Chain 87

Cadena de caucho RPP • Catena di gomma RPP • RPP-Kautschuk-Kette
Chaîne de caoutchouc RPP • RPP Rubber ketting • RPP Guma Łańcuch

RPP Rubber Chain Double Sided 92

RPP de goma cadena doble cara • RPP gomma catena doppia faccia
RPP Kautschuk Kett Doppelseitig • RPP caoutchouc chaîne Recto-verso
RPP Rubber ketting dubbel zijdig • RPP Guma Chain Dwustronne

RPP Rubber Chain Blue 94

RPP de goma cadena azul • RPP gomma catena blu • RPP Kautschuk
Kette blau Chaîne de • RPP en caoutchouc bleu • RPP Rubber ketting blauw
RPP Gumowy łańcuch niebieski

RPP Rubber Chain Yellow 98

Cadena de RPP de goma amarillo • Catena di RPP gomma giallo
RPP Kautschuk Kette gelb • Chaîne de RPP en caoutchouc jaune
RPP Rubber ketting geel • Łańcuch RPP gumowy żółty

RPP Rubber Chain Red 101

Cadena de RPP goma rojo • Catena di gomma RPP rosso • RPP Kautschuk
Kette rot • Chaîne de RPP caoutchouc rouge • RPP Rubber ketting rood
RPP czerwony łańcuch gumy

Imperial Timing Belts 104

Correas dentadas imperiales • Cinghie dentate imperiale
Imperial-Zahnriemen • Courroies de distribution impériale
Imperial-tandriemen • Cesarskie paski rozrządu

Imperial Timing Belts Double Sided 108

Correas dentadas Imperial de doble cara • Cinghie dentate imperiale
doppia faccia • Imperial Zahnriemen doppelseitig • Cesarskie pasy zębate dwustronne

Metric Pitch Polyurethane 111

Poliuretano de paso métrico • In poliuretano passo metrico
Metrische Teilung Polyurethan • Polyuréthane pas métriqu
Metrische steek polyurethaan • metryczny smota poliuretan

Open Ended Timing Belts 118

Correas dentadas terminó abierto • Cinghie dentate terminato aperto
Offenem Ende Zahnriemen • Courroies de distribution terminée ouvert
Open eindigde tandriemen • Otwarty Pasy zębate



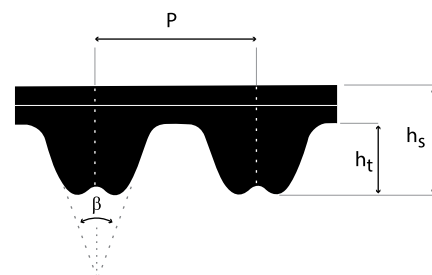
RPP TIMING BELTS RUBBER CHAIN

Description

The new RPP parabolic profile is deeper than the equivalent competitors standard tooth profile. The increased depth and sturdiness of the tooth results in an increased torque transmission capability and reduced interference during meshing.

The recess in the top of the tooth allows local deformation of the belt when meshing with the pulley, and this contributes to the ability to absorb shock loads and reduced interference during meshing. Other benefits include a reduction in transmission noise, an increase in tooth jump resistance, an increase in power transmitted and an increase resistance to tooth shear. Part numbers are identified by a 3 or 4 digit number (e.g. 960) which represents the pitch length in mm, a number and letter (e.g. 8M) the belts pitch and a 2 or 3 digit number (e.g. 30) the belts width. 960-8M-30 etc.

Belt type	Pitch	β	h_s	h_t
3M	3mm	32°	2.40	1.15
5M	5mm	32°	3.80	2.00
8M	8mm	32°	5.40	3.46
14M	14mm	32°	9.70	6.10



3M RUBBER CHAIN

3M - CROSS SECTION		BELT WIDTH			
Part Number	Length (mm)	Number of teeth	6mm	9mm	15mm
90-3M-	90	30	06	09	15
105-3M-	105	35	06	09	15
129-3M-	129	43	06	09	15
141-3M-	141	47	06	09	15
144-3M-	144	48	06	09	15
147-3M-	147	49	06	09	15
150-3M-	150	50	06	09	15
159-3M-	159	53	06	09	15
168-3M-	168	56	06	09	15
174-3M-	174	58	06	09	15
177-3M-	177	59	06	09	15
180-3M-	180	60	06	09	15
186-3M-	186	62	06	09	15
195-3M-	195	65	06	09	15
201-3M-	201	67	06	09	15
204-3M-	204	68	06	09	15
210-3M-	210	70	06	09	15
213-3M-	213	71	06	09	15
225-3M-	225	75	06	09	15
231-3M-	231	77	06	09	15
240-3M-	240	80	06	09	15
243-3M-	243	81	06	09	15
246-3M-	246	82	06	09	15
249-3M-	249	83	06	09	15
252-3M-	252	84	06	09	15

3M - CROSS SECTION		BELT WIDTH			
Part Number	Length (mm)	Number of teeth	6mm	9mm	15mm
255-3M-	255	85	06	09	15
261-3M-	261	87	06	09	15
264-3M-	264	88	06	09	15
267-3M-	267	89	06	09	15
270-3M-	270	90	06	09	15
276-3M-	276	92	06	09	15
285-3M-	285	95	06	09	15
288-3M-	288	96	06	09	15
291-3M-	291	97	06	09	15
297-3M-	297	99	06	09	15
300-3M-	300	100	06	09	15
312-3M-	312	104	06	09	15
318-3M-	318	106	06	09	15
327-3M-	327	109	06	09	15
330-3M-	330	110	06	09	15
333-3M-	333	111	06	09	15
336-3M-	336	112	06	09	15
339-3M-	339	113	06	09	15
345-3M-	345	115	06	09	15
357-3M-	357	119	06	09	15
363-3M-	363	121	06	09	15
375-3M-	375	125	06	09	15
384-3M-	384	128	06	09	15
390-3M-	390	130	06	09	15
393-3M-	393	131	06	09	15

3M RUBBER CHAIN continued

3M - CROSS SECTION		BELT WIDTH			
Part Number	Length (mm)	Number of teeth	6mm	9mm	15mm
405-3M-	405	135	06	09	15
420-3M-	420	140	06	09	15
432-3M-	432	144	06	09	15
447-3M-	447	149	06	09	15
474-3M-	474	158	06	09	15
480-3M-	480	160	06	09	15
486-3M-	486	162	06	09	15
495-3M-	495	165	06	09	15
510-3M-	510	170	06	09	15
513-3M-	513	171	06	09	15
522-3M-	522	174	06	09	15
531-3M-	531	177	06	09	15
537-3M-	537	179	06	09	15
564-3M-	564	188	06	09	15
570-3M-	570	190	06	09	15
576-3M-	576	192	06	09	15
579-3M-	579	193	06	09	15
582-3M-	582	194	06	09	15
597-3M-	597	199	06	09	15

3M - CROSS SECTION		BELT WIDTH			
Part Number	Length (mm)	Number of teeth	6mm	9mm	15mm
600-3M-	600	200	06	09	15
633-3M-	633	211	06	09	15
648-3M-	648	216	06	09	15
669-3M-	669	223	06	09	15
711-3M-	711	237	06	09	15
735-3M-	735	245	06	09	15
738-3M-	738	246	06	09	15
756-3M-	756	252	06	09	15
804-3M-	804	268	06	09	15
882-3M-	882	294	06	09	15
945-3M-	945	315	06	09	15
1062-3M-	1062	354	06	09	15
1125-3M-	1125	375	06	09	15
1245-3M-	1245	415	06	09	15
1263-3M-	1263	421	06	09	15
1500-3M-	1500	500	06	09	15
1530-3M-	1530	510	06	09	15
1863-3M-	1863	621	06	09	15

5M RUBBER CHAIN

5M - CROSS SECTION		BELT WIDTH			
Part Number	Length (mm)	Number of teeth	9mm	15mm	25mm
180-5M-	180	36	09	15	25
225-5M-	225	45	09	15	25
235-5M-	235	47	09	15	25
245-5M-	245	49	09	15	25
255-5M-	255	51	09	15	25
265-5M-	265	53	09	15	25
270-5M-	270	54	09	15	25
280-5M-	280	56	09	15	25
285-5M-	285	57	09	15	25
295-5M-	295	59	09	15	25
300-5M-	300	60	09	15	25
305-5M-	305	61	09	15	25
325-5M-	325	65	09	15	25
345-5M-	345	69	09	15	25
350-5M-	350	70	09	15	25
375-5M-	375	75	09	15	25
400-5M-	400	80	09	15	25
420-5M-	420	84	09	15	25
425-5M-	425	85	09	15	25
450-5M-	450	90	09	15	25

5M - CROSS SECTION		BELT WIDTH			
Part Number	Length (mm)	Number of teeth	9mm	15mm	25mm
420-5M-	420	84	09	15	25
425-5M-	425	85	09	15	25
450-5M-	450	90	09	15	25
455-5M-	455	91	09	15	25
460-5M-	460	92	09	15	25
465-5M-	465	93	09	15	25
475-5M-	475	95	09	15	25
490-5M-	490	98	09	15	25
500-5M-	500	100	09	15	25
525-5M-	525	105	09	15	25
535-5M-	535	107	09	15	25
565-5M-	565	113	09	15	25
575-5M-	575	115	09	15	25
580-5M-	580	116	09	15	25
600-5M-	600	120	09	15	25
610-5M-	610	122	09	15	25
615-5M-	615	123	09	15	25
635-5M-	635	127	09	15	25
640-5M-	640	128	09	15	25
670-5M-	670	134	09	15	25

5M RUBBER CHAIN continued

5M - CROSS SECTION		BELT WIDTH				5M - CROSS SECTION		BELT WIDTH			
Part Number	Length (mm)	Number of teeth	9mm	15mm	25mm	Part Number	Length (mm)	Number of teeth	9mm	15mm	25mm
675-5M-	675	135	09	15	25	1100-5M-	1100	220	09	15	25
700-5M-	700	140	09	15	25	1125-5M-	1125	225	09	15	25
705-5M-	705	141	09	15	25	1135-5M-	1135	227	09	15	25
710-5M-	710	142	09	15	25	1195-5M-	1195	239	09	15	25
725-5M-	725	145	09	15	25	1200-5M-	1200	240	09	15	25
740-5M-	740	148	09	15	25	1240-5M-	1240	248	09	15	25
750-5M-	750	150	09	15	25	1270-5M-	1270	254	09	15	25
755-5M-	755	151	09	15	25	1420-5M-	1420	284	09	15	25
800-5M-	800	160	09	15	25	1500-5M-	1500	300	09	15	25
835-5M-	835	167	09	15	25	1595-5M-	1595	319	09	15	25
850-5M-	850	170	09	15	25	1605-5M-	1605	321	09	15	25
890-5M-	890	178	09	15	25	1690-5M-	1690	338	09	15	25
900-5M-	900	180	09	15	25	1790-5M-	1790	358	09	15	25
935-5M-	935	187	09	15	25	1800-5M-	1800	360	09	15	25
940-5M-	940	188	09	15	25	1870-5M-	1870	374	09	15	25
950-5M-	950	190	09	15	25	1895-5M-	1895	379	09	15	25
980-5M-	980	196	09	15	25	1945-5M-	1945	389	09	15	25
1000-5M-	1000	200	09	15	25	2000-5M-	2000	400	09	15	25
1025-5M-	1025	205	09	15	25	2250-5M-	2250	450	09	15	25
1050-5M-	1050	210	09	15	25	2525-5M-	2525	505	09	15	25

8M RUBBER CHAIN

8M - CROSS SECTION			BELT WIDTH				8M - CROSS SECTION			BELT WIDTH			
Part Number	Length (mm)	Number of teeth	20mm	30mm	50mm	85mm	Part Number	Length (mm)	Number of teeth	20mm	30mm	50mm	85mm
288-8M-	288	36	20	30	50	85	760-8M-	760	95	20	30	50	85
320-8M-	320	40	20	30	50	85	800-8M-	800	100	20	30	50	85
352-8M-	352	44	20	30	50	85	840-8M-	840	105	20	30	50	85
360-8M-	360	45	20	30	50	85	880-8M-	880	110	20	30	50	85
384-8M-	384	48	20	30	50	85	896-8M-	896	112	20	30	50	85
408-8M-	408	51	20	30	50	85	920-8M-	920	115	20	30	50	85
416-8M-	416	52	20	30	50	85	960-8M-	960	120	20	30	50	85
456-8M-	456	57	20	30	50	85	1000-8M-	1000	125	20	30	50	85
480-8M-	480	60	20	30	50	85	1040-8M-	1040	130	20	30	50	85
536-8M-	536	67	20	30	50	85	1080-8M-	1080	135	20	30	50	85
544-8M-	544	68	20	30	50	85	1120-8M-	1120	140	20	30	50	85
560-8M-	560	70	20	30	50	85	1200-8M-	1200	150	20	30	50	85
600-8M-	600	75	20	30	50	85	1224-8M-	1224	153	20	30	50	85
608-8M-	608	76	20	30	50	85	1280-8M-	1280	160	20	30	50	85
632-8M-	632	79	20	30	50	85	1352-8M-	1352	169	20	30	50	85
640-8M-	640	80	20	30	50	85	1424-8M-	1424	178	20	30	50	85
680-8M-	680	85	20	30	50	85	1440-8M-	1440	180	20	30	50	85
720-8M-	720	90	20	30	50	85	1464-8M-	1464	183	20	30	50	85

8M RUBBER CHAIN

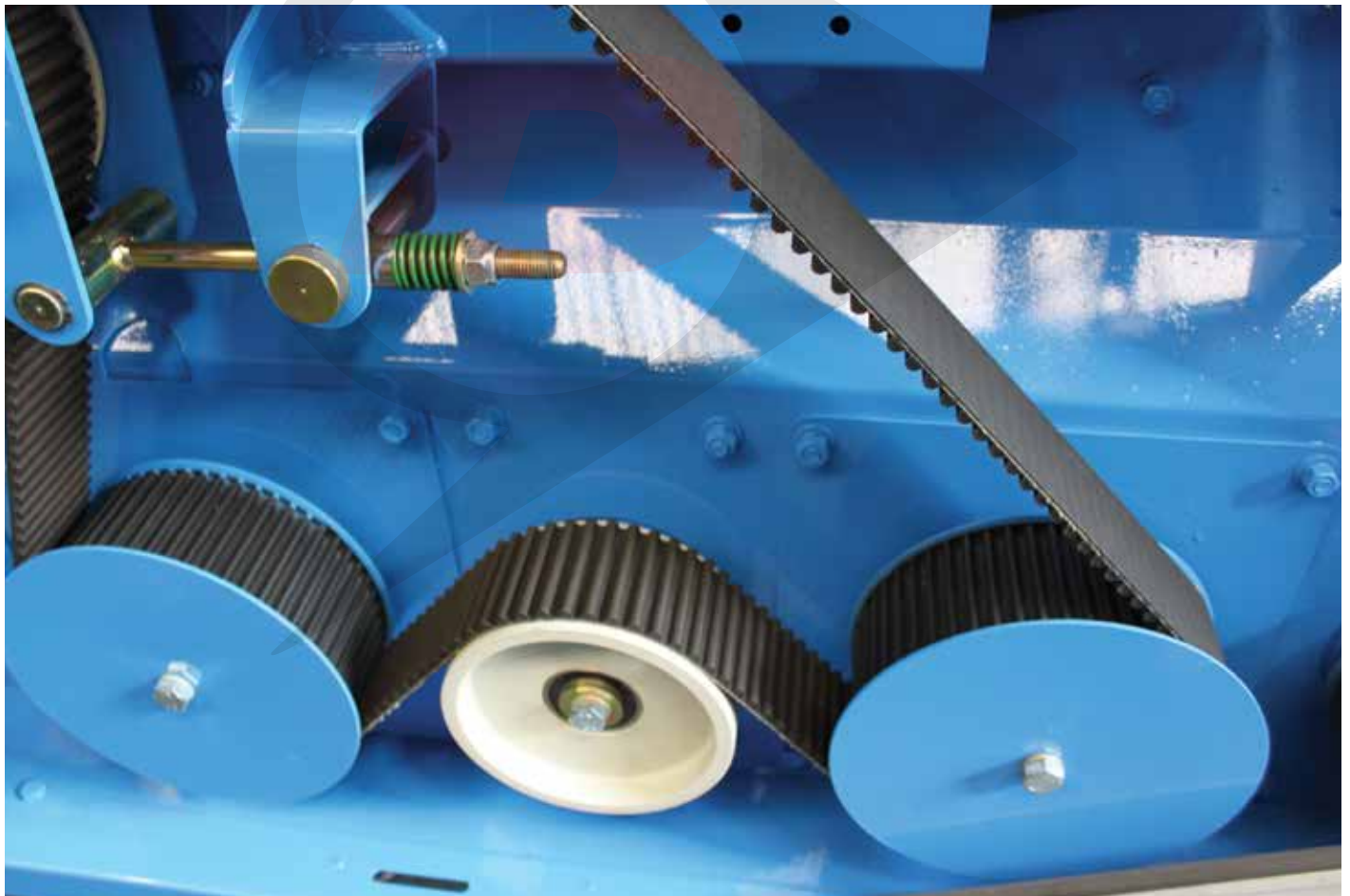
8M - CROSS SECTION			BELT WIDTH				8M - CROSS SECTION			BELT WIDTH			
Part Number	Length (mm)	Number of teeth	20mm	30mm	50mm	85mm	Part Number	Length (mm)	Number of teeth	20mm	30mm	50mm	85mm
1200-8M-	1200	150	20	30	50	85	2000-8M-	2000	250	20	30	50	85
1224-8M-	1224	153	20	30	50	85	2200-8M-	2200	275	20	30	50	85
1280-8M-	1280	160	20	30	50	85	2240-8M-	2240	280	20	30	50	85
1352-8M-	1352	169	20	30	50	85	2272-8M-	2272	284	20	30	50	85
1424-8M-	1424	178	20	30	50	85	2400-8M-	2400	300	20	30	50	85
1440-8M-	1440	180	20	30	50	85	2520-8M-	2520	315	20	30	50	85
1464-8M-	1464	183	20	30	50	85	2600-8M-	2600	325	20	30	50	85
1512-8M-	1512	189	20	30	50	85	2800-8M-	2800	350	20	30	50	85
1600-8M-	1600	200	20	30	50	85	2840-8M-	2840	355	20	30	50	85
1680-8M-	1680	210	20	30	50	85	3048-8M-	3048	381	20	30	50	85
1760-8M-	1760	220	20	30	50	85	3280-8M-	3280	410	20	30	50	85
1792-8M-	1792	224	20	30	50	85	3600-8M-	3600	450	20	30	50	85
1800-8M-	1800	225	20	30	50	85	4000-8M-	4000	500	20	30	50	85
1904-8M-	1904	238	20	30	50	85	4400-8M-	4400	550	20	30	50	85

14M RUBBER CHAIN

14M - CROSS SECTION			BELT WIDTH				
Part Number	Length (mm)	Number of teeth	40mm	55mm	85mm	115mm	170mm
966-14M-	966	69	40	55	85	115	170
1092-14M-	1092	78	40	55	85	115	170
1106-14M-	1106	79	40	55	85	115	170
1120-14M-	1120	80	40	55	85	115	170
1190-14M-	1190	85	40	55	85	115	170
1260-14M-	1260	90	40	55	85	115	170
1288-14M-	1288	92	40	55	85	115	170
1344-14M-	1344	96	40	55	85	115	170
1400-14M-	1400	100	40	55	85	115	170
1442-14M-	1442	103	40	55	85	115	170
1568-14M-	1568	112	40	55	85	115	170
1610-14M-	1610	115	40	55	85	115	170
1750-14M-	1750	125	40	55	85	115	170
1764-14M-	1764	126	40	55	85	115	170
1778-14M-	1778	127	40	55	85	115	170
1848-14M-	1848	132	40	55	85	115	170
1890-14M-	1890	135	40	55	85	115	170
1904-14M-	1904	136	40	55	85	115	170
1960-14M-	1960	140	40	55	85	115	170
2100-14M-	2100	150	40	55	85	115	170
2240-14M-	2240	160	40	55	85	115	170
2310-14M-	2310	165	40	55	85	115	170
2380-14M-	2380	170	40	55	85	115	170
2450-14M-	2450	175	40	55	85	115	170

14M RUBBER CHAIN continued

14M - CROSS SECTION			BELT WIDTH				
Part Number	Length (mm)	Number of teeth	40mm	55mm	85mm	115mm	170mm
2590-14M-	2590	185	40	55	85	115	170
2660-14M-	2660	190	40	55	85	115	170
2800-14M-	2800	200	40	55	85	115	170
2968-14M-	2968	212	40	55	85	115	170
3150-14M-	3150	225	40	55	85	115	170
3360-14M-	3360	240	40	55	85	115	170
3500-14M-	3500	250	40	55	85	115	170
3850-14M-	3850	275	40	55	85	115	170
3920-14M-	3920	280	40	55	85	115	170
4326-14M-	4326	309	40	55	85	115	170
4410-14M-	4410	315	40	55	85	115	170
4578-14M-	4578	327	40	55	85	115	170
4956-14M-	4956	354	40	55	85	115	170





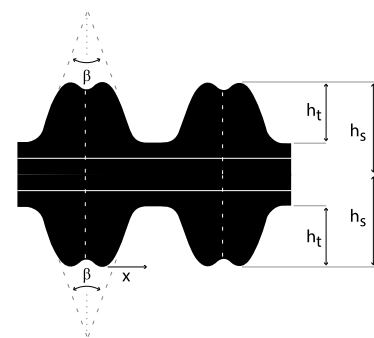
RPP TIMING BELTS 'DD' RUBBER CHAIN

Description

The new RPP parabolic profile is deeper than the equivalent competitors standard tooth profile. The increased depth and sturdiness of the tooth results in an increased torque transmission capability and reduced interference during meshing. The recess in the top of the tooth allows local deformation of the belt when meshing with the pulley, and this contributes to the ability to absorb shock loads and reduced interference during meshing. Other benefits include a reduction in transmission noise, an increase in tooth jump resistance, an increase in power transmitted and an increase resistance to tooth shear.

Part numbers are identified by a 3 or 4 digit number (e.g. 960) which represents the pitch length in mm, a number and letter (e.g. 8M) the belts pitch and a 2 or 3 digit number (e.g. 30) the belts width. 960-8M-30 DD etc.

Belt type	Pitch	β	h_s	h_t
8M	8mm	32°	5.40	3.46
14M	14mm	32°	9.70	6.10



8M DD RUBBER CHAIN

8M - DD CROSS SECTION			BELT WIDTH			
Part Number	Length (mm)	Number of teeth	20mm	30mm	50mm	85mm
560-8M-DD	560	70	20	30	50	85
600-8M-DD	600	75	20	30	50	85
608-8M-DD	608	76	20	30	50	85
632-8M-DD	632	79	20	30	50	85
640-8M-DD	640	80	20	30	50	85
680-8M-DD	680	85	20	30	50	85
720-8M-DD	720	90	20	30	50	85
760-8M-DD	760	95	20	30	50	85
800-8M-DD	800	100	20	30	50	85
840-8M-DD	840	105	20	30	50	85
880-8M-DD	880	110	20	30	50	85
896-8M-DD	896	112	20	30	50	85
920-8M-DD	920	115	20	30	50	85
960-8M-DD	960	120	20	30	50	85
1000-8M-DD	1000	125	20	30	50	85
1040-8M-DD	1040	130	20	30	50	85
1080-8M-DD	1080	135	20	30	50	85
1120-8M-DD	1120	140	20	30	50	85
1200-8M-DD	1200	150	20	30	50	85
1224-8M-DD	1224	153	20	30	50	85
1280-8M-DD	1280	160	20	30	50	85
1352-8M-DD	1352	169	20	30	50	85
1424-8M-DD	1424	178	20	30	50	85

8M - DD CROSS SECTION			BELT WIDTH			
Part Number	Length (mm)	Number of teeth	20mm	30mm	50mm	85mm
1440-8M-DD	1440	180	20	30	50	85
1464-8M-DD	1464	183	20	30	50	85
1512-8M-DD	1512	189	20	30	50	85
1600-8M-DD	1600	200	20	30	50	85
1680-8M-DD	1680	210	20	30	50	85
1760-8M-DD	1760	220	20	30	50	85
1792-8M-DD	1792	224	20	30	50	85
1800-8M-DD	1800	225	20	30	50	85
1904-8M-DD	1904	238	20	30	50	85
2000-8M-DD	2000	250	20	30	50	85
2200-8M-DD	2200	275	20	30	50	85
2240-8M-DD	2240	280	20	30	50	85
2272-8M-DD	2272	284	20	30	50	85
2400-8M-DD	2400	300	20	30	50	85
2520-8M-DD	2520	315	20	30	50	85
2600-8M-DD	2600	325	20	30	50	85
2800-8M-DD	2800	350	20	30	50	85
2840-8M-DD	2840	355	20	30	50	85
3048-8M-DD	3048	381	20	30	50	85
3280-8M-DD	3280	410	20	30	50	85
3600-8M-DD	3600	450	20	30	50	85
4000-8M-DD	4000	500	20	30	50	85
4400-8M-DD	4400	550	20	30	50	85

14M DD RUBBER CHAIN

14M - DD CROSS SECTION			BELT WIDTH				
Part Number	Length (mm)	Number of teeth	40mm	55mm	85mm	115mm	170mm
966-14M-DD	966	69	40	55	85	115	170
1092-14M-DD	1092	78	40	55	85	115	170
1106-14M-DD	1106	79	40	55	85	115	170
1120-14M-DD	1120	80	40	55	85	115	170
1190-14M-DD	1190	85	40	55	85	115	170
1260-14M-DD	1260	90	40	55	85	115	170
1288-14M-DD	1288	92	40	55	85	115	170
1344-14M-DD	1344	96	40	55	85	115	170
1400-14M-DD	1400	100	40	55	85	115	170
1442-14M-DD	1442	103	40	55	85	115	170
1568-14M-DD	1568	112	40	55	85	115	170
1610-14M-DD	1610	115	40	55	85	115	170
1750-14M-DD	1750	125	40	55	85	115	170
1764-14M-DD	1764	126	40	55	85	115	170
1778-14M-DD	1778	127	40	55	85	115	170
1848-14M-DD	1848	132	40	55	85	115	170
1890-14M-DD	1890	135	40	55	85	115	170
1904-14M-DD	1904	136	40	55	85	115	170
1960-14M-DD	1960	140	40	55	85	115	170
2100-14M-DD	2100	150	40	55	85	115	170
2240-14M-DD	2240	160	40	55	85	115	170
2310-14M-DD	2310	165	40	55	85	115	170
2380-14M-DD	2380	170	40	55	85	115	170
2450-14M-DD	2450	175	40	55	85	115	170
2590-14M-DD	2590	185	40	55	85	115	170
2660-14M-DD	2660	190	40	55	85	115	170
2800-14M-DD	2800	200	40	55	85	115	170
2968-14M-DD	2968	212	40	55	85	115	170
3150-14M-DD	3150	225	40	55	85	115	170
3360-14M-DD	3360	240	40	55	85	115	170
3500-14M-DD	3500	250	40	55	85	115	170
3850-14M-DD	3850	275	40	55	85	115	170
3920-14M-DD	3920	280	40	55	85	115	170
4326-14M-DD	4326	309	40	55	85	115	170
4410-14M-DD	4410	315	40	55	85	115	170
4578-14M-DD	4578	327	40	55	85	115	170
4956-14M-DD	4956	354	40	55	85	115	170

RUBBER CHAIN BLUE

The new **DUNLOP** Rubber Chain Blue can really be considered as a reliable, lower maintenance and economical alternative to the drive systems equipped with chains and gears.

Thanks to its state of the art materials, these belts are particularly recommended for efficient, compact drives which experience high torque loading and permit the designer much greater flexibility by means of the following advantages.

More than 110% power rating compared to the standard rubber chain white.

Uses existing pulleys, which maintains functional interchangeability with other deep profile systems as HTD.

Allows existing systems to be upgraded without the necessity to replace the pulleys.

DUNLOP Rubber Chain Blue is one of the quietest drive belt systems available on the market today.

In addition to this it has the extra advantages of:

Further reduction of noise by reduced belt widths due to the higher performance rating of the system.

Low noise characteristics compared to drive systems using polyurethane, steel etc. due to the rubber construction.

Use of smaller pulleys creates lower belts speeds and thereby less noise.

STRUCTURE

The new **DUNLOP** Rubber Chain Blue is constructed with materials of the highest quality and strength. Extensive development performed by Research & Development has resulted in superior torque capacity.

THE BELT BODY

It is formed by an innovative compound. This cross linked elastomer increases resistance to tooth shearing up to 15% in comparison to the previous belts. This compound guarantees an exceptional level of resistance to flex fatigue preventing the appearance of cracks and is formulated also to better resist mineral oils, heat and ozone actions.

TENSION MEMBERS

The glass fibre tensile members are the load carrying element, thanks to the excellent characteristic of this cord the new **DUNLOP** Rubber Chain Blue has a superior tension stability in static and dynamic conditions.

TOOTH FABRIC

A hard wearing nylon fabric is bonded to the tooth surface to improve torque carrying capacity. In addition a special graphite impregnation process transfers self lubricating action and increases belt efficiency.

FEATURES

An improved belt performance results from the adoption of this system, which can be summarised as follows.

- Better tension stability
- Longer life resistance
- Higher power performance
- Superior Antistatic Properties conforming to the BS 2050 and ISO 9563

- More compact and lightweight drives with same power rating
- Exceptional resistance to abrasion and tooth shear
- Temperature range -25°C to + 80°C





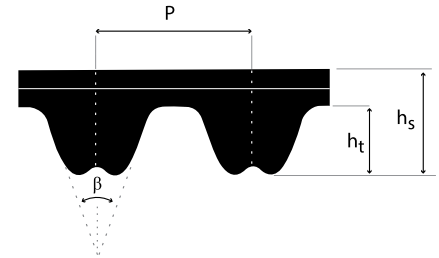
RPP TIMING BELTS RUBBER CHAIN BLUE

Description

The new RPP parabolic profile is deeper than the equivalent competitors standard tooth profile. The increased depth and sturdiness of the tooth results in an increased torque transmission capability and reduced interference during meshing. The recess in the top of the tooth allows local deformation of the belt when meshing with the pulley, and this contributes to the ability to absorb shock loads and reduced interference during meshing. Other benefits include a reduction in transmission noise, an increase in tooth jump resistance, an increase in power transmitted and an increase resistance to tooth shear.

Part numbers are identified by a 3 or 4 digit number (e.g. 960) which represents the pitch length in mm, a number and letter (e.g. 8M) the belts pitch and a 2 or 3 digit number (e.g. 30) the belts width. 960-8M-30 etc.

Belt type	Pitch	β	h_s	h_t
5M	5mm	32°	3.80	2.00
8M	8mm	32°	5.40	3.46
14M	14mm	32°	9.70	6.10



Interchange table

Dunlop	Gates	Contitech	Optibelt	Goodyear
Rubber Chain Blue	Powerstrip GT - GT2 - GT3	GT - CXP	OMEGA - B - HP	HPPD - White Hawk

Note: Manufacturers part numbers are used for descriptive purposes only and may not be direct equivalent products.

5M - RUBBER CHAIN BLUE

5M - CROSS SECTION			BELT WIDTH		
Part Number	Length (mm)	Number of teeth	9mm	15mm	25mm
180-5M-RCB	180	36	09	15	25
225-5M-RCB	225	45	09	15	25
235-5M-RCB	235	47	09	15	25
245-5M-RCB	245	49	09	15	25
255-5M-RCB	255	51	09	15	25
265-5M-RCB	265	53	09	15	25
270-5M-RCB	270	54	09	15	25
280-5M-RCB	280	56	09	15	25
285-5M-RCB	285	57	09	15	25
295-5M-RCB	295	59	09	15	25
300-5M-RCB	300	60	09	15	25
305-5M-RCB	305	61	09	15	25
325-5M-RCB	325	65	09	15	25
345-5M-RCB	345	69	09	15	25
350-5M-RCB	350	70	09	15	25
375-5M-RCB	375	75	09	15	25
400-5M-RCB	400	80	09	15	25
420-5M-RCB	420	84	09	15	25
425-5M-RCB	425	85	09	15	25
450-5M-RCB	450	90	09	15	25
455-5M-RCB	455	91	09	15	25
460-5M-RCB	460	92	09	15	25

5M - CROSS SECTION			BELT WIDTH		
Part Number	Length (mm)	Number of teeth	9mm	15mm	25mm
465-5M-RCB	465	93	09	15	25
475-5M-RCB	475	95	09	15	25
500-5M-RCB	500	100	09	15	25
525-5M-RCB	525	105	09	15	25
535-5M-RCB	535	107	09	15	25
565-5M-RCB	565	113	09	15	25
575-5M-RCB	575	115	09	15	25
580-5M-RCB	580	116	09	15	25
600-5M-RCB	600	120	09	15	25
610-5M-RCB	610	122	09	15	25
615-5M-RCB	615	123	09	15	25
635-5M-RCB	635	127	09	15	25
640-5M-RCB	640	128	09	15	25
670-5M-RCB	670	134	09	15	25
675-5M-RCB	675	135	09	15	25
700-5M-RCB	700	140	09	15	25
705-5M-RCB	705	141	09	15	25
710-5M-RCB	710	142	09	15	25
725-5M-RCB	725	145	09	15	25
740-5M-RCB	740	148	09	15	25
750-5M-RCB	750	150	09	15	25
755-5M-RCB	755	151	09	15	25

5M - RUBBER CHAIN BLUE continued

5M - CROSS SECTION			BELT WIDTH		
Part Number	Length (mm)	Number of teeth	9mm	15mm	25mm
800-5M-RCB	800	160	09	15	25
835-5M-RCB	835	167	09	15	25
850-5M-RCB	850	170	09	15	25
890-5M-RCB	890	178	09	15	25
900-5M-RCB	900	180	09	15	25
935-5M-RCB	935	187	09	15	25
940-5M-RCB	940	188	09	15	25
950-5M-RCB	950	190	09	15	25
980-5M-RCB	980	196	09	15	25
1000-5M-RCB	1000	200	09	15	25
1025-5M-RCB	1025	205	09	15	25
1050-5M-RCB	1050	210	09	15	25
1100-5M-RCB	1100	220	09	15	25
1125-5M-RCB	1125	225	09	15	25
1135-5M-RCB	1135	227	09	15	25
1195-5M-RCB	1195	239	09	15	25

5M - CROSS SECTION			BELT WIDTH		
Part Number	Length (mm)	Number of teeth	9mm	15mm	25mm
1200-5M-RCB	1200	240	09	15	25
1240-5M-RCB	1240	248	09	15	25
1270-5M-RCB	1270	254	09	15	25
1420-5M-RCB	1420	284	09	15	25
1500-5M-RCB	1500	300	09	15	25
1595-5M-RCB	1595	319	09	15	25
1605-5M-RCB	1605	321	09	15	25
1690-5M-RCB	1690	338	09	15	25
1790-5M-RCB	1790	358	09	15	25
1800-5M-RCB	1800	360	09	15	25
1870-5M-RCB	1870	374	09	15	25
1895-5M-RCB	1895	379	09	15	25
1945-5M-RCB	1945	389	09	15	25
2000-5M-RCB	2000	400	09	15	25
2250-5M-RCB	2250	450	09	15	25
2525-5M-RCB	2525	505	09	15	25

8M - RUBBER CHAIN BLUE

8M - CROSS SECTION			BELT WIDTH			
Part Number	Length (mm)	Number of teeth	20mm	30mm	50mm	85mm
288-8M-RCB	288	36	20	30	50	85
320-8M-RCB	320	40	20	30	50	85
352-8M-RCB	352	44	20	30	50	85
360-8M-RCB	360	45	20	30	50	85
384-8M-RCB	384	48	20	30	50	85
408-8M-RCB	408	51	20	30	50	85
416-8M-RCB	416	52	20	30	50	85
456-8M-RCB	456	57	20	30	50	85
480-8M-RCB	480	60	20	30	50	85
536-8M-RCB	536	67	20	30	50	85
544-8M-RCB	544	68	20	30	50	85
560-8M-RCB	560	70	20	30	50	85
600-8M-RCB	600	75	20	30	50	85
608-8M-RCB	608	76	20	30	50	85
632-8M-RCB	632	79	20	30	50	85
640-8M-RCB	640	80	20	30	50	85
680-8M-RCB	680	85	20	30	50	85
720-8M-RCB	720	90	20	30	50	85
760-8M-RCB	760	95	20	30	50	85
800-8M-RCB	800	100	20	30	50	85

8M - CROSS SECTION			BELT WIDTH			
Part Number	Length (mm)	Number of teeth	20mm	30mm	50mm	85mm
840-8M-RCB	840	105	20	30	50	85
880-8M-RCB	880	110	20	30	50	85
896-8M-RCB	896	112	20	30	50	85
920-8M-RCB	920	115	20	30	50	85
960-8M-RCB	960	120	20	30	50	85
1000-8M-RCB	1000	125	20	30	50	85
1040-8M-RCB	1040	130	20	30	50	85
1080-8M-RCB	1080	135	20	30	50	85
1120-8M-RCB	1120	140	20	30	50	85
1200-8M-RCB	1200	150	20	30	50	85
1224-8M-RCB	1224	153	20	30	50	85
1280-8M-RCB	1280	160	20	30	50	85
1352-8M-RCB	1352	169	20	30	50	85
1424-8M-RCB	1424	178	20	30	50	85
1440-8M-RCB	1440	180	20	30	50	85
1464-8M-RCB	1464	183	20	30	50	85
1600-8M-RCB	1600	200	20	30	50	85
1680-8M-RCB	1680	210	20	30	50	85
1760-8M-RCB	1760	220	20	30	50	85
1800-8M-RCB	1800	225	20	30	50	85

8M - RUBBER CHAIN BLUE continued

8M - CROSS SECTION			BELT WIDTH				8M - CROSS SECTION			BELT WIDTH			
Part Number	Length (mm)	Number of teeth	20mm	30mm	50mm	85mm	Part Number	Length (mm)	Number of teeth	20mm	30mm	50mm	85mm
1904-8M-RCB	1904	238	20	30	50	85	2600-8M-RCB	2600	325	20	30	50	85
2000-8M-RCB	2000	250	20	30	50	85	2800-8M-RCB	2800	350	20	30	50	85
2200-8M-RCB	2200	275	20	30	50	85	3048-8M-RCB	3048	381	20	30	50	85
2272-8M-RCB	2272	284	20	30	50	85	3280-8M-RCB	3280	410	20	30	50	85
2400-8M-RCB	2400	300	20	30	50	85	3600-8M-RCB	3600	450	20	30	50	85
2520-8M-RCB	2520	315	20	30	50	85	4400-8M-RCB	4400	550	20	30	50	85

14M - RUBBER CHAIN BLUE

14M - CROSS SECTION			BELT WIDTH				
Part Number	Length (mm)	Number of teeth	40mm	55mm	85mm	115mm	170mm
966-14M-RCB	966	69	40	55	85	115	170
1092-14M-RCB	1092	78	40	55	85	115	170
1106-14M-RCB	1106	79	40	55	85	115	170
1190-14M-RCB	1190	85	40	55	85	115	170
1260-14M-RCB	1260	90	40	55	85	115	170
1288-14M-RCB	1288	92	40	55	85	115	170
1344-14M-RCB	1344	96	40	55	85	115	170
1400-14M-RCB	1400	100	40	55	85	115	170
1442-14M-RCB	1442	103	40	55	85	115	170
1568-14M-RCB	1568	112	40	55	85	115	170
1610-14M-RCB	1610	115	40	55	85	115	170
1750-14M-RCB	1750	125	40	55	85	115	170
1764-14M-RCB	1764	126	40	55	85	115	170
1778-14M-RCB	1778	127	40	55	85	115	170
1848-14M-RCB	1848	132	40	55	85	115	170
1890-14M-RCB	1890	135	40	55	85	115	170
1904-14M-RCB	1904	136	40	55	85	115	170
1960-14M-RCB	1960	140	40	55	85	115	170
2100-14M-RCB	2100	150	40	55	85	115	170
2240-14M-RCB	2240	160	40	55	85	115	170
2310-14M-RCB	2310	165	40	55	85	115	170
2380-14M-RCB	2380	170	40	55	85	115	170
2450-14M-RCB	2450	175	40	55	85	115	170
2590-14M-RCB	2590	185	40	55	85	115	170
2660-14M-RCB	2660	190	40	55	85	115	170
2800-14M-RCB	2800	200	40	55	85	115	170
2968-14M-RCB	2968	212	40	55	85	115	170
3150-14M-RCB	3150	225	40	55	85	115	170
3360-14M-RCB	3360	240	40	55	85	115	170
3500-14M-RCB	3500	250	40	55	85	115	170
3850-14M-RCB	3850	275	40	55	85	115	170
3920-14M-RCB	3920	280	40	55	85	115	170
4326-14M-RCB	4326	309	40	55	85	115	170
4578-14M-RCB	4578	327	40	55	85	115	170
4956-14M-RCB	4956	354	40	55	85	115	170

RUBBER CHAIN YELLOW

DUNLOP Rubber Chain Yellow belt system can be used in virtually timeless range of industry applications where a high torque synchronous drive is required. The new rubber chain yellow timing belt is constructed with the highest quality materials.

The bonded strength of all components guarantees superior torque capacity. The new materials join forces to achieve the highest standard of quality and performance in the industry.

STRUCTURE

PRECISION GROUND RUBBER BACKING

Precision ground neoprene rubber backing is designed for maximum resistance to engine oil, grease, heat build up, sunlight and flex fatigue. Excellent for backside idlers.

TENSION MEMBER

The fibreglass cord is the load carrying element in the new **DUNLOP** Rubber Chain Yellow belt.

This excellent characteristic of the cord guarantee incomparable tension stability both in static and dynamic conditions when compared with other aramid reinforced belts.

This characteristic can eliminate any kind of re-tensioning procedure, providing a real maintenance free operation and guarantee a perfect tooth meshing reducing abrasion, vibrations and noise.

TOOTH FACING FABRIC

Hard wearing nylon fabric is bonded to the tooth surface to improve torque carrying capacity. The external fabric surface is impregnated with a special graphite, providing a self lubrication feature which

increases the efficiency of the drive while providing:

- Exceptional resistance to abrasion and tooth shear due to the low coefficient of friction.
- Increased drive efficiency.
- Increased belt and pulley life.

BELT BODY

It's an innovative compound. The elastomer increases resistance to tooth shear up to 15% in comparison to the previous belts. The compound guarantees an exceptional resistance to flex fatigue. According to the standards ASTM D318 the flexibility test shows an improvement in the flex fatigue resistance up to 500 times more than the previous version. Furthermore this compound is formulated to show considerable resistance to mineral oil, heat and ozone.

With a higher tensile strength (10-20%) than the previous belt and with the superior flexibility of the new rubber chain yellow belt enables us to offer smaller, more compact drive systems thus offering tighter weight, higher performances and improved drive efficiency.

FEATURES

DUNLOP Rubber Chain Yellow systems offer drive energy efficiency up to 98%. This results in a reduction of energy consumption as much as 5% over other power transmission systems.

- Upgrade of the existing transmission without changing the pulleys.
- Perfect interchangeability with parabolic pulley profile RPP and HTD.
- Quiet, maintenance free operation.
- Better tooth jump resistance.
- Excellent for backside idlers.
- Superior Antistatic Properties conforming to the BS 2050 and ISO 9563.

- Belts require no special handling or storage considerations. The resulting dimensional stability assures consistent, reliable performance.
- Temperature range -25°C to + 80°C





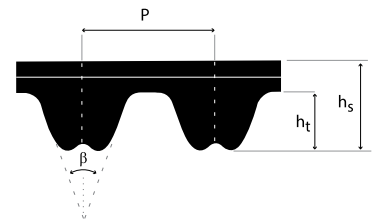
RPP TIMING BELTS RUBBER CHAIN YELLOW

Description

The new RPP parabolic profile is deeper than the equivalent competitors standard tooth profile. The increased depth and sturdiness of the tooth results in an increased torque transmission capability and reduced interference during meshing. The recess in the top of the tooth allows local deformation of the belt when meshing with the pulley, and this contributes to the ability to absorb shock loads and reduced interference during meshing. Other benefits include a reduction in transmission noise, an increase in tooth jump resistance, an increase in power transmitted and an increase resistance to tooth shear.

Part numbers are identified by a 3 or 4 digit number (e.g. 960) which represents the pitch length in mm, a number and letter (e.g. 8M) the belts pitch and a 2 or 3 digit number (e.g. 30) the belts width. 960-8M-30 etc.

Belt type	Pitch	β	h_s	h_t
8M	8mm	32°	5.40	3.46
14M	14mm	32°	9.70	6.10



Interchange table

Dunlop	Gates	Contitech	Optibelt	Goodyear
Rubber Chain Yellow	Polychain GT2	EXA - SYNCHRO CHAIN	OMEGA HL	EAGLE - FALCON BLACK HAWK

Note: Manufacturers part numbers are used for descriptive purposes only and may not be direct equivalent products.

8M - RUBBER CHAIN YELLOW

8M - CROSS SECTION			BELT WIDTH				8M - CROSS SECTION			BELT WIDTH			
Part Number	Length (mm)	Number of teeth	20mm	30mm	50mm	85mm	Part Number	Length (mm)	Number of teeth	20mm	30mm	50mm	85mm
288-8M-RCY	288	36	20	30	50	85	920-8M-RCY	920	115	20	30	50	85
320-8M-RCY	320	40	20	30	50	85	960-8M-RCY	960	120	20	30	50	85
352-8M-RCY	352	44	20	30	50	85	1000-8M-RCY	1000	125	20	30	50	85
360-8M-RCY	360	45	20	30	50	85	1040-8M-RCY	1040	130	20	30	50	85
384-8M-RCY	384	48	20	30	50	85	1080-8M-RCY	1080	135	20	30	50	85
408-8M-RCY	408	51	20	30	50	85	1120-8M-RCY	1120	140	20	30	50	85
416-8M-RCY	416	52	20	30	50	85	1200-8M-RCY	1200	150	20	30	50	85
456-8M-RCY	456	57	20	30	50	85	1224-8M-RCY	1224	153	20	30	50	85
480-8M-RCY	480	60	20	30	50	85	1280-8M-RCY	1280	160	20	30	50	85
536-8M-RCY	536	67	20	30	50	85	1352-8M-RCY	1352	169	20	30	50	85
544-8M-RCY	544	68	20	30	50	85	1424-8M-RCY	1424	178	20	30	50	85
560-8M-RCY	560	70	20	30	50	85	1440-8M-RCY	1440	180	20	30	50	85
600-8M-RCY	600	75	20	30	50	85	1464-8M-RCY	1464	183	20	30	50	85
608-8M-RCY	608	76	20	30	50	85	1600-8M-RCY	1600	200	20	30	50	85
632-8M-RCY	632	79	20	30	50	85	1680-8M-RCY	1680	210	20	30	50	85
640-8M-RCY	640	80	20	30	50	85	1760-8M-RCY	1760	220	20	30	50	85
680-8M-RCY	680	85	20	30	50	85	1800-8M-RCY	1800	225	20	30	50	85
720-8M-RCY	720	90	20	30	50	85	1904-8M-RCY	1904	238	20	30	50	85
760-8M-RCY	760	95	20	30	50	85	2000-8M-RCY	2000	250	20	30	50	85
800-8M-RCY	800	100	20	30	50	85	2200-8M-RCY	2200	275	20	30	50	85
840-8M-RCY	840	105	20	30	50	85	2272-8M-RCY	2272	284	20	30	50	85
880-8M-RCY	880	110	20	30	50	85	2400-8M-RCY	2400	300	20	30	50	85
896-8M-RCY	896	112	20	30	50	85	2520-8M-RCY	2520	315	20	30	50	85

8M - RUBBER CHAIN YELLOW continued

8M - CROSS SECTION			BELT WIDTH				8M - SECTION			BELT WIDTH			
Part Number	Length (mm)	Number of teeth	20mm	30mm	50mm	85mm	Part Number	Length (mm)	Number of teeth	20mm	30mm	50mm	85mm
2600-8M-RCY	2600	325	20	30	50	85	3280-8M-RCY	3280	410	20	30	50	85
2800-8M-RCY	2800	350	20	30	50	85	3600-8M-RCY	3600	450	20	30	50	85
3048-8M-RCY	3048	381	20	30	50	85	4400-8M-RCY	4400	550	20	30	50	85

14M - RUBBER CHAIN YELLOW

14M - (RUBBER CHAIN YELLOW) CROSS SECTION			BELT WIDTH				
Part Number	Length (mm)	Number of teeth	40mm	55mm	85mm	115mm	170mm
966-14M-RCY	966	69	40	55	85	115	170
1092-14M-RCY	1092	78	40	55	85	115	170
1106-14M-RCY	1106	79	40	55	85	115	170
1190-14M-RCY	1190	85	40	55	85	115	170
1260-14M-RCY	1260	90	40	55	85	115	170
1288-14M-RCY	1288	92	40	55	85	115	170
1344-14M-RCY	1344	96	40	55	85	115	170
1400-14M-RCY	1400	100	40	55	85	115	170
1442-14M-RCY	1442	103	40	55	85	115	170
1568-14M-RCY	1568	112	40	55	85	115	170
1610-14M-RCY	1610	115	40	55	85	115	170
1750-14M-RCY	1750	125	40	55	85	115	170
1764-14M-RCY	1764	126	40	55	85	115	170
1778-14M-RCY	1778	127	40	55	85	115	170
1848-14M-RCY	1848	132	40	55	85	115	170
1890-14M-RCY	1890	135	40	55	85	115	170
1904-14M-RCY	1904	136	40	55	85	115	170
1960-14M-RCY	1960	140	40	55	85	115	170
2100-14M-RCY	2100	150	40	55	85	115	170
2240-14M-RCY	2240	160	40	55	85	115	170
2310-14M-RCY	2310	165	40	55	85	115	170
2380-14M-RCY	2380	170	40	55	85	115	170
2450-14M-RCY	2450	175	40	55	85	115	170
2590-14M-RCY	2590	185	40	55	85	115	170
2660-14M-RCY	2660	190	40	55	85	115	170
2800-14M-RCY	2800	200	40	55	85	115	170
2968-14M-RCY	2968	212	40	55	85	115	170
3150-14M-RCY	3150	225	40	55	85	115	170
3360-14M-RCY	3360	240	40	55	85	115	170
3500-14M-RCY	3500	250	40	55	85	115	170
3850-14M-RCY	3850	275	40	55	85	115	170
3920-14M-RCY	3920	280	40	55	85	115	170
4326-14M-RCY	4326	309	40	55	85	115	170
4578-14M-RCY	4578	327	40	55	85	115	170
4956-14M-RCY	4956	354	40	55	85	115	170

RUBBER CHAIN RED

DUNLOP proudly introduces the new Rubber Chain Red timing belt drive, the latest development in high performance systems. It significantly improves the traditional specific power capacity and offers new application opportunities against alternative systems like gears or chains which always have a disadvantage in terms of weight, noise, lubrication and maintenance costs.

The new **DUNLOP** Rubber Chain Red is a rubber based timing belt, which solves the problems related to steel and aramide cords, thanks to the development and usage of its innovative 'Dual Core' hybrid cord technology. Rubber chain red reaches the highest level of performances incorporating this cord in a new rubber matrix and covering the teeth with a special and unique heavy fabric.

STRUCTURE

THE BELT BODY.

An innovative design and blend of HNBR elastomer's, uniquely cross linked to increase teeth rigidity and shear resistance, up to +25% in comparison to rubber chain yellow belts. Despite the high levels of rigidity and hardness, this compound guarantees an exceptional resistance to flex fatigue, preventing the appearance of cracks when working with very small pulleys.

Tests made have showed an incredible improvement in the flex fatigue resistance up to 10 times more than the previous rubber chain yellow version, running on the smallest pulley diameters under the same load conditions.

Furthermore this compound is formulated to considerably resist the effects of mineral oils (test conditions 22h at 100°C in ASTM3 oil; -25% less absorption than rubber chain yellow), offering an incredible wide range of working temperatures: from -35°C to +115°C.

TENSION MEMBERS.

The tensile member is made from an innovative 'Dual Core' hybrid cord technology and it constitutes the load carrying elements inside the new rubber chain red belt. The 'Dual Core' technology gives excellent characteristics to this cord, which grant extreme dimension stability under static and dynamic tensions, together with a superior flex fatigue resistance. These performances can eliminate any kind of re-tensioning procedure, providing a maintenance-free operation and guarantees a perfect tooth meshing for longer service life with a reduction of abrasion, vibrations and noise.

TOOTH FACING FABRIC.

A hard wearing poly-amide fabric is bonded to the tooth surface, to improve torque carrying capacity and tooth shear resistance. Its special surface impregnation process confers self lubricating properties, a lower friction and increased drive efficiency.

FEATURES

Thanks to the innovative materials used, rubber chain red is a reliable, lower maintenance and economical alternative to drive systems with chains and gears. It is particularly recommended for efficient, compact drives with high or pulse torque loads, offering:

- Increased basic power capacity by up to 40% compared to the current rubber chain yellow.
- Use existing pulleys, keeping a full functional interchange with other deep pulley profile systems, like HTD, etc.
- Allows existing drives to be upgraded without the necessity to replace the pulleys.
- Reduction of noise thanks to narrower belts due to the higher performance rating of the system.
- Low noise characteristics compared to drive systems using polyurethane, steel etc. due to the rubber matrix and its teeth with parabolic profile shape, recognised as the quietest system on the market.
- A wide, continuous range of possible operating temperature, like no other system, which makes rubber chain red the only solution for extreme working conditions.
- Temperature range -35°C to + 115°C





TIMING BELTS



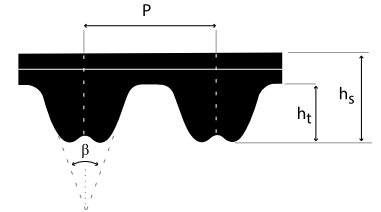
RPP TIMING BELTS RUBBER CHAIN RED

Description

The new RPP parabolic profile is deeper than the equivalent competitors standard tooth profile. The increased depth and sturdiness of the tooth results in an increased torque transmission capability and reduced interference during meshing. The recess in the top of the tooth allows local deformation of the belt when meshing with the pulley, and this contributes to the ability to absorb shock loads and reduced interference during meshing. Other benefits include a reduction in transmission noise, an increase in tooth jump resistance, an increase in power transmitted and an increase resistance to tooth shear.

Part numbers are identified by a 3 or 4 digit number (e.g. 960) which represents the pitch length in mm, a number and letter (e.g. 8M) the belts pitch and a 2 or 3 digit number (e.g. 30) the belts width. 960-8M-30 etc.

Belt type	Pitch	β	h_s	h_t
8M	8mm	32°	5.40	3.46
14M	14mm	32°	9.70	6.10



Interchange table

Dunlop	Gates	Contitech	Optibelt	Goodyear
Rubber Chain Red	Polychain Carbon	Not Available	Not Available	Not Available

Note: Manufacturers part numbers are used for descriptive purposes only and may not be direct equivalent products.

8M - RUBBER CHAIN RED

8M - CROSS SECTION			BELT WIDTH			
Part Number	Length (mm)	Number of teeth	12mm	21mm	36mm	62mm
640-8M-RCR	640	80	12	21	36	62
720-8M-RCR	720	90	12	21	36	62
800-8M-RCR	800	100	12	21	36	62
896-8M-RCR	896	112	12	21	36	62
920-8M-RCR	920	115	12	21	36	62
960-8M-RCR	960	120	12	21	36	62
1000-8M-RCR	1000	125	12	21	36	62
1040-8M-RCR	1040	130	12	21	36	62
1120-8M-RCR	1120	140	12	21	36	62
1200-8M-RCR	1200	150	12	21	36	62
1224-8M-RCR	1224	153	12	21	36	62
1280-8M-RCR	1280	160	12	21	36	62
1440-8M-RCR	1440	180	12	21	36	62
1600-8M-RCR	1600	200	12	21	36	62
1760-8M-RCR	1760	220	12	21	36	62
1792-8M-RCR	1792	224	12	21	36	62
2000-8M-RCR	2000	250	12	21	36	62
2200-8M-RCR	2200	275	12	21	36	62
2240-8M-RCR	2240	280	12	21	36	62
2400-8M-RCR	2400	300	12	21	36	62
2520-8M-RCR	2520	315	12	21	36	62
2600-8M-RCR	2600	325	12	21	36	62
2800-8M-RCR	2800	350	12	21	36	62
2840-8M-RCR	2840	355	12	21	36	62
3048-8M-RCR	3048	381	12	21	36	62
3600-8M-RCR	3600	450	12	21	36	62
4000-8M-RCR	4000	500	12	21	36	62
4400-8M-RCR	4400	550	12	21	36	62

14M - RUBBER CHAIN RED

14M - CROSS SECTION			BELT WIDTH				
Part Number	Length (mm)	Number of teeth	20mm	37mm	68mm	90mm	125mm
1120-14M-RCR	1120	80	20	37	68	90	125
1190-14M-RCR	1190	85	20	37	68	90	125
1260-14M-RCR	1260	90	20	37	68	90	125
1400-14M-RCR	1400	100	20	37	68	90	125
1442-14M-RCR	1442	103	20	37	68	90	125
1568-14M-RCR	1568	112	20	37	68	90	125
1610-14M-RCR	1610	115	20	37	68	90	125
1750-14M-RCR	1750	125	20	37	68	90	125
1890-14M-RCR	1890	135	20	37	68	90	125
1960-14M-RCR	1960	140	20	37	68	90	125
2100-14M-RCR	2100	150	20	37	68	90	125
2240-14M-RCR	2240	160	20	37	68	90	125
2310-14M-RCR	2310	165	20	37	68	90	125
2380-14M-RCR	2380	170	20	37	68	90	125
2450-14M-RCR	2450	175	20	37	68	90	125
2520-14M-RCR	2520	180	20	37	68	90	125
2660-14M-RCR	2660	190	20	37	68	90	125
2800-14M-RCR	2800	200	20	37	68	90	125
3136-14M-RCR	3136	224	20	37	68	90	125
3304-14M-RCR	3304	236	20	37	68	90	125
3360-14M-RCR	3360	240	20	37	68	90	125
3500-14M-RCR	3500	250	20	37	68	90	125
3850-14M-RCR	3850	275	20	37	68	90	125
3920-14M-RCR	3920	280	20	37	68	90	125
4326-14M-RCR	4326	309	20	37	68	90	125
4410-14M-RCR	4410	315	20	37	68	90	125

HTD TIMING BELT CROSS REFERENCE

BRAND	MINIMUM	PERFORMANCE			MAXIMUM
DUNLOP	RUBBER CHAIN WHITE	RUBBER CHAIN BLUE		RUBBER CHAIN YELLOW	RUBBER CHAIN RED
GATES	HTD	Powergrip GT	Powergrip GT2-GT3	POLYCHAIN GT2	POLYCHAIN CARBON
CONTITECH	HTD	GT	CXP	CXA SYNCHRO-CHAIN	
OPTIBELT	OMEGA	OMEGA-B	OMEGA HP	OMEGA HL	
GOOD YEAR	STPD	HAWK Pd HPPD Plus	WHITE HAWK Pd	EAGLE Pd FALCON Pd BLACK HAWK	

Note; Manufacturers part numbers are used for descriptive purposes only and may not give equivalent performance in every application, it is strongly recommended that testing is carried out to determine correct product suitability.



TIMING BELTS



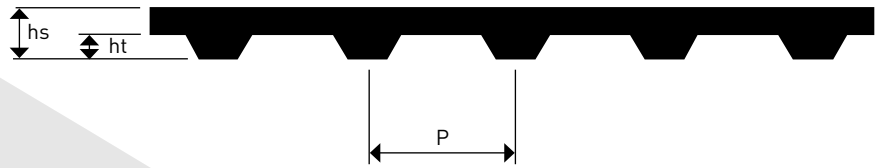
IMPERIAL TIMING BELTS

Description

Dunlop imperial timing belts are available with either single or double sided teeth, are manufactured using the most advanced technology available. Trapezoidal tooth profile and Polychloroprene teeth offer accurate meshing with the mating pulleys and this contributes to the ability to absorb shock loads and reduced interference. Fibreglass reinforcement for minimal elongation and a nylon fabric protects the tooth surface.

Part numbers are identified by a 3 or 4 digit number (e.g. 900) which represents the pitch length in inches i.e. 90", 1 or 2 letters (e.g. H) the belts pitch and a 2 or 3 digit number (e.g. 200) the belts width i.e. 2" for example 900H200.

Belt type	Pitch	h _s	h _t
MXL	2.032	1.14	0.51
XL	5.08	2.4	1.27
L	9.525	3.6	1.91
H	12.7	4.4	2.29
XH	22.225	11.4	6.22



XL - SECTION

XL CROSS SECTION			BELT WIDTH		
Part Number	Length (inches)	Number of teeth	1/4"	5/16"	3/8"
54XL-	5.4	27	025	031	037
60XL-	6.0	30	025	031	037
70XL-	7.0	35	025	031	037
80XL-	8.0	40	025	031	037
90XL-	9.0	45	025	031	037
98XL-	9.8	49	025	031	037
100XL-	10.0	50	025	031	037
102XL-	10.2	51	025	031	037
104XL-	10.4	52	025	031	037
106XL-	10.6	53	025	031	037
110XL-	11.0	55	025	031	037
120XL-	12.0	60	025	031	037
130XL-	13.0	65	025	031	037
140XL-	14.0	70	025	031	037
150XL-	15.0	75	025	031	037
160XL-	16.0	80	025	031	037
170XL-	17.0	85	025	031	037
180XL-	18.0	90	025	031	037
182XL-	18.2	91	025	031	037
190XL-	19.0	95	025	031	037
198XL-	19.8	99	025	031	037
200XL-	20.0	100	025	031	037
202XL-	20.2	101	025	031	037
210XL-	21.0	105	025	031	037
212XL-	21.2	106	025	031	037
214XL-	21.4	107	025	031	037

XL - SECTION continued

XL CROSS SECTION			BELT WIDTH		
Part Number	Length (inches)	Number of teeth	1/4"	5/16"	3/8"
214XL-	21.4	107	025	031	037
220XL-	22.0	110	025	031	037
228XL-	22.8	114	025	031	037
230XL-	23.0	115	025	031	037
234XL-	23.4	117	025	031	037
240XL-	24.0	120	025	031	037
250XL-	25.0	125	025	031	037
260XL-	26.0	130	025	031	037
270XL-	27.0	135	025	031	037
276XL-	27.6	138	025	031	037
290XL-	29.0	145	025	031	037
310XL-	31.0	155	025	031	037
316XL-	31.6	158	025	031	037
320XL-	32.0	160	025	031	037
330XL-	33.0	165	025	031	037
344XL-	34.4	172	025	031	037
352XL-	35.2	176	025	031	037
364XL-	36.4	182	025	031	037
380XL-	38.0	190	025	031	037
384XL-	38.4	192	025	031	037
388XL-	38.8	194	025	031	037
390XL-	39.0	195	025	031	037
392XL-	39.2	196	025	031	037
434XL-	43.4	217	025	031	037
460XL-	46.0	230	025	031	037
530XL-	53.0	265	025	031	037
600XL-	60.0	300	025	031	037
710XL-	71.0	355	025	031	037

L - SECTION

L CROSS SECTION			BELT WIDTH		
Part Number	Length (inches)	Number of teeth	1/2"	3/4"	1"
124L-	12.4	33	050	075	100
135L-	13.5	36	050	075	100
150L-	15.0	40	050	075	100
173L-	17.3	46	050	075	100
187L-	18.7	50	050	075	100
202L-	20.2	54	050	075	100
210L-	21.0	56	050	075	100
225L-	22.5	60	050	075	100
240L-	24.0	64	050	075	100
255L-	25.5	68	050	075	100
270L-	27.0	72	050	075	100
285L-	28.5	76	050	075	100

L - SECTION continued

L CROSS SECTION			BELT WIDTH		
Part Number	Length (inches)	Number of teeth	1/2"	3/4"	1"
300L-	30.0	80	050	075	100
322L-	32.2	86	050	075	100
345L-	34.5	92	050	075	100
367L-	36.7	98	050	075	100
390L-	39.0	104	050	075	100
405L-	40.5	108	050	075	100
412L-	41.2	110	050	075	100
420L-	42.0	112	050	075	100
450L-	45.0	120	050	075	100
480L-	48.0	128	050	075	100
510L-	51.0	136	050	075	100
540L-	54.0	144	050	075	100
600L-	60.0	160	050	075	100
728L-	72.8	194	050	075	100
817L-	81.7	218	050	075	100

H - SECTION

H CROSS SECTION			BELT WIDTH				
Part Number	Length (inches)	Number of teeth	3/4"	1"	1-1/2"	2"	3"
240H-	24.0	48	075	100	150	200	300
270H-	27.0	54	075	100	150	200	300
300H-	30.0	60	075	100	150	200	300
330H-	33.0	66	075	100	150	200	300
360H-	36.0	72	075	100	150	200	300
390H-	39.0	78	075	100	150	200	300
420H-	42.0	84	075	100	150	200	300
450H-	45.0	90	075	100	150	200	300
480H-	48.0	96	075	100	150	200	300
510H-	51.0	102	075	100	150	200	300
540H-	54.0	108	075	100	150	200	300
570H-	57.0	114	075	100	150	200	300
600H-	60.0	120	075	100	150	200	300
630H-	63.0	126	075	100	150	200	300
660H-	66.0	132	075	100	150	200	300
700H-	70.0	140	075	100	150	200	300
725H-	72.5	145	075	100	150	200	300
750H-	75.0	150	075	100	150	200	300
800H-	80.0	160	075	100	150	200	300
850H-	85.0	170	075	100	150	200	300
900H-	90.0	180	075	100	150	200	300
1000H-	100.0	200	075	100	150	200	300
1100H-	110.0	220	075	100	150	200	300
1120H-	112.0	224	075	100	150	200	300

H - SECTION continued

H CROSS SECTION			BELT WIDTH				
Part Number	Length (inches)	Number of teeth	3/4"	1"	1-1/2"	2"	3"
1140H-	114.0	228	075	100	150	200	300
1150H-	115.0	230	075	100	150	200	300
1250H-	125.0	250	075	100	150	200	300
1400H-	140.0	280	075	100	150	200	300
1700H-	170.0	340	075	100	150	200	300

XH - SECTION

XH CROSS SECTION			BELT WIDTH		
Part Number	Length (inches)	Number of teeth	2"	3"	4"
507XH-	50.7	58	200	300	400
534XH-	53.4	61	200	300	400
560XH-	56.0	64	200	300	400
630XH-	63.0	72	200	300	400
700XH-	70.0	80	200	300	400
770XH-	77.0	88	200	300	400
840XH-	84.0	96	200	300	400
980XH-	98.0	112	200	300	400
1120XH-	112.0	128	200	300	400
1260XH-	126.0	144	200	300	400
1400XH-	140.0	160	200	300	400
1540XH-	154.0	176	200	300	400
1750XH-	175.0	200	200	300	400





TIMING BELTS



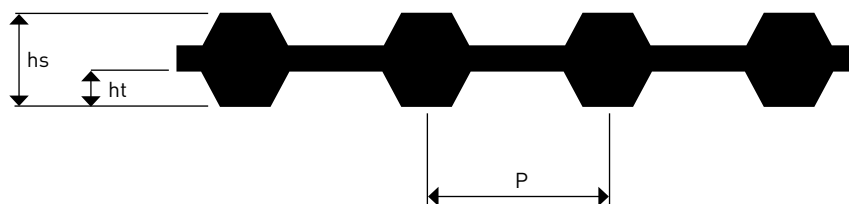
IMPERIAL TIMING BELTS DD

Description

Dunlop imperial timing belts are available with either single or double sided teeth, are manufactured using the most advanced technology available. Trapezoidal tooth profile and Polychloroprene teeth offer accurate meshing with the mating pulleys and this contributes to the ability to absorb shock loads and reduced interference. Fibreglass reinforcement for minimal elongation and a nylon fabric protects the tooth surface.

Part numbers are identified by a 3 or 4 digit number (e.g. 900) which represents the pitch length in inches i.e. 90", 1 or 2 letters (e.g. H) the belts pitch and a 2 or 3 digit number (e.g. 200) the belts width i.e. 2" for example 900H200.

Belt type	Pitch	h _s	h _t
XL	5.08	3.05	1.27
L	9.252	4.60	1.91
H	12.7	5.9	2.29



XL-DD - SECTION

XL-DD CROSS SECTION			BELT WIDTH		
Part Number	Length (inches)	Number of teeth	1/4"	5/16"	3/8"
120XL-DD-	12.0	60	025	031	037
130XL-DD-	13.0	65	025	031	037
140XL-DD-	14.0	70	025	031	037
150XL-DD-	15.0	75	025	031	037
160XL-DD-	16.0	80	025	031	037
170XL-DD-	17.0	85	025	031	037
180XL-DD-	18.0	90	025	031	037
182XL-DD-	18.2	91	025	031	037
190XL-DD-	19.0	95	025	031	037
198XL-DD-	19.8	99	025	031	037
200XL-DD-	20.0	100	025	031	037
202XL-DD-	20.2	101	025	031	037
210XL-DD-	21.0	105	025	031	037
212XL-DD-	21.2	106	025	031	037
214XL-DD-	21.4	107	025	031	037
220XL-DD-	22.0	110	025	031	037
228XL-DD-	22.8	114	025	031	037
230XL-DD-	23.0	115	025	031	037
234XL-DD-	23.4	117	025	031	037
240XL-DD-	24.0	120	025	031	037
250XL-DD-	25.0	125	025	031	037
260XL-DD-	26.0	130	025	031	037
270XL-DD-	27.0	135	025	031	037
276XL-DD-	27.6	138	025	031	037
290XL-DD-	29.0	145	025	031	037
310XL-DD-	31.0	155	025	031	037

XL-DD - SECTION continued

XL-DD CROSS SECTION			BELT WIDTH		
Part Number	Length (inches)	Number of teeth	1/4"	5/16"	3/8"
316XL-DD-	31.6	158	025	031	037
320XL-DD-	32.0	160	025	031	037
330XL-DD-	33.0	165	025	031	037
344XL-DD-	34.4	172	025	031	037
352XL-DD-	35.2	176	025	031	037
364XL-DD-	36.4	182	025	031	037
380XL-DD-	38.0	190	025	031	037
384XL-DD-	38.4	192	025	031	037
388XL-DD-	38.8	194	025	031	037
390XL-DD-	39.0	195	025	031	037
392XL-DD-	39.2	196	025	031	037
434XL-DD-	43.4	217	025	031	037
460XL-DD-	46.0	230	025	031	037
530XL-DD-	53.0	265	025	031	037
600XL-DD-	60.0	300	025	031	037

L-DD - SECTION

L-DD CROSS SECTION			BELT WIDTH		
Part Number	Length (inches)	Number of teeth	1/2"	3/4"	1"
124L-DD-	12.4	33	050	075	100
135L-DD-	13.5	36	050	075	100
150L-DD-	15.0	40	050	075	100
173L-DD-	17.3	46	050	075	100
187L-DD-	18.7	50	050	075	100
202L-DD-	20.2	54	050	075	100
210L-DD-	21.0	56	050	075	100
225L-DD-	22.5	60	050	075	100
240L-DD-	24.0	64	050	075	100
255L-DD-	25.5	68	050	075	100
270L-DD-	27.0	72	050	075	100
285L-DD-	28.5	76	050	075	100
300L-DD-	30.0	80	050	075	100
322L-DD-	32.2	86	050	075	100
345L-DD-	34.5	92	050	075	100
367L-DD-	36.7	98	050	075	100
390L-DD-	39.0	104	050	075	100
405L-DD-	40.5	108	050	075	100
412L-DD-	41.2	110	050	075	100
420L-DD-	42.0	112	050	075	100
450L-DD-	45.0	120	050	075	100
480L-DD-	48.0	128	050	075	100
510L-DD-	51.0	136	050	075	100
540L-DD-	54.0	144	050	075	100

L-DD - SECTION continued

XL-DD CROSS SECTION			BELT WIDTH		
Part Number	Length (inches)	Number of teeth	1/4"	5/16"	3/8"
600L-DD-	60.0	160	050	075	100
728L-DD-	72.8	194	050	075	100
817L-DD-	81.7	218	050	075	100

H-DD - SECTION

H-DD CROSS SECTION			BELT WIDTH				
Part Number	Length (inches)	Number of teeth	3/4"	1"	1-1/2"	2"	3"
240H-DD-	24.0	48	075	100	150	200	300
270H-DD-	27.0	54	075	100	150	200	300
300H-DD-	30.0	60	075	100	150	200	300
330H-DD-	33.0	66	075	100	150	200	300
360H-DD-	36.0	72	075	100	150	200	300
390H-DD-	39.0	78	075	100	150	200	300
420H-DD-	42.0	84	075	100	150	200	300
450H-DD-	45.0	90	075	100	150	200	300
480H-DD-	48.0	96	075	100	150	200	300
510H-DD-	51.0	102	075	100	150	200	300
540H-DD-	54.0	108	075	100	150	200	300
570H-DD-	57.0	114	075	100	150	200	300
600H-DD-	60.0	120	075	100	150	200	300
630H-DD-	63.0	126	075	100	150	200	300
660H-DD-	66.0	132	075	100	150	200	300
700H-DD-	70.0	140	075	100	150	200	300
725H-DD-	72.5	145	075	100	150	200	300
750H-DD-	75.0	150	075	100	150	200	300
800H-DD-	80.0	160	075	100	150	200	300
850H-DD-	85.0	170	075	100	150	200	300
900H-DD-	90.0	180	075	100	150	200	300
1000H-DD-	100.0	200	075	100	150	200	300
1100H-DD-	110.0	220	075	100	150	200	300
1120H-DD-	112.0	224	075	100	150	200	300
1140H-DD-	114.0	228	075	100	150	200	300
1150H-DD-	115.0	230	075	100	150	200	300
1250H-DD-	125.0	250	075	100	150	200	300
1400H-DD-	140.0	280	075	100	150	200	300
1700H-DD-	170.0	340	075	100	150	200	300

PU TIMING BELTS

DUNLOP PU Timing Belts are manufactured with a unique thermoset moulding process. The high-grade polyurethane gives excellent abrasion and shear resistance, combined with a variety of graded steel cords, ensuring high strength and tractive resistance. The result is a timing belt with excellent dimensional stability. DUNLOP moulded Timing Belts are manufactured to a tight tolerance range, which

ensures consistent length and thickness. The combination of these factors results in DUNLOP PU Timing Belts performing to the highest physical and chemical levels.

DUNLOP PU timing belts are suitable for high power, precision motion and control even with high speed.

FEATURES

These belts have the following features:

Mechanical features

- Consistent dimensional stability
- Low pre-tension
- Low noise
- High abrasion resistance
- Low maintenance
- High flexibility
- Linear speeds up to 80 m/sec

Chemical features

- Good resistance to aging, hydrolysis, UVA rays, Ozone
- Working temperature: -25°C to 80°C (up to +110°C for short periods)
- High resistance to oils, fats and greases.
- Good resistance to most acids and Alkalis.

DUNLOP PU Timing Belts perform especially well on light synchronised and stepped drives, in office automation and domestic appliance applications.

OPEN ENDED TIMING BELTS

DUNLOP PU open ended timing belts are manufactured to tight tolerances, they deliver reliability and excellent dimensional stability. The addition of a Nylon coating on the tooth and/or the back of the belt during production, enhances the running properties for specific applications. An extra thickness of polyurethane is also possible on the back of the belt, offering extra protection against aggressive or heavy products.

DUNLOP PU open ended timing belts can be supplied as

open length rolls, or as endless jointed belts.

Open ended belts are manufactured as continuous lengths, with the reinforcement in a parallel configuration. Standard roll lengths are 50 or 100 metres, other lengths are available on request.

DUNLOP PU open ended timing belts are normally used in linear motion drives.

JOINED TIMING BELTS

DUNLOP jointed belts are manufactured using the thermoplastic properties of the open length belt, endless belts can be produced to any length by welding.

The finished joint is resistant to fatigue from flexing and tension, due to the unique symmetrical V shaped pattern of the joint.

Endless jointed belts are suitable for conveying applications, particularly when indexing and/or positive drive is required. Supplementary application of flights, profiles and coatings is possible, to suit specific applications.

They are also available with alternative reinforcement cords such as Kevlar (K), High Flex (HF), High Performance (HP) and High Performance Flex (HPF).





TIMING BELTS



METRIC PITCH PU TIMING BELTS

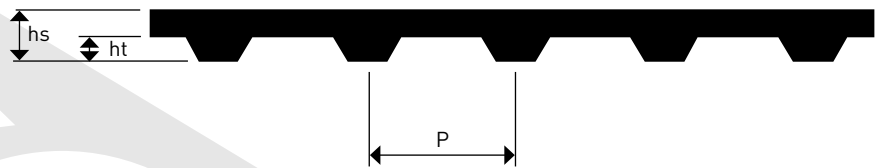
Description

Dunlop metric pitch timing belts are available with either single or double sided teeth, are manufactured using the most advanced thermoset moulding processes available. The high grade polyurethane gives excellent abrasion and shear resistance, combined with a variety of graded steel cords, ensuring high strength is maintained.

Features include consistent dimensional stability, low pre-tension, low noise, high abrasion resistance, low maintenance, high flexibility, linear speeds up to 80 m/sec. good resistance to heat with a working temperature range of -25°C to +80°C and a good resistance to oils, fats and greases.

Part numbers are identified by a letter and number (e.g. T10) which represents the belts pitch, followed by 3 or 4 numbers (e.g. 810) the belts length in mm, and a 2 digit number (e.g. 50) the belts width, for example T10-810-50.

Belt type	Pitch	h_s	h_t
T2.5	2.5	1.3	0.7
T5	5	2.2	1.2
T10	10	4.5	2.5
AT5	5	2.7	1.2
AT10	10	4.5	2.5



T2.5 - SECTION

T2.5 CROSS SECTION			BELT WIDTH			
Part Number	Length (mm)	Number of teeth	4mm	6mm	8mm	10mm
T2.5-120-	120	48	04	06	08	10
T2.5-145-	145	58	04	06	08	10
T2.5-160-	160	64	04	06	08	10
T2.5-177.5-	177.5	71	04	06	08	10
T2.5-200-	200	80	04	06	08	10
T2.5-230-	230	92	04	06	08	10
T2.5-245-	245	98	04	06	08	10
T2.5-265-	265	106	04	06	08	10
T2.5-285-	285	114	04	06	08	10
T2.5-290-	290	116	04	06	08	10
T2.5-305-	305	122	04	06	08	10
T2.5-330-	330	132	04	06	08	10
T2.5-380-	380	152	04	06	08	10
T2.5-420-	420	168	04	06	08	10
T2.5-480-	480	192	04	06	08	10
T2.5-500-	500	200	04	06	08	10
T2.5-600-	600	240	04	06	08	10
T2.5-620-	620	248	04	06	08	10
T2.5-650-	650	260	04	06	08	10
T2.5-680-	680	272	04	06	08	10
T2.5-780-	780	312	04	06	08	10
T2.5-880-	880	352	04	06	08	10
T2.5-915-	915	366	04	06	08	10
T2.5-950-	950	380	04	06	08	10
T2.5-1185-	1185	474	04	06	08	10

T2.5 - SECTION continued

T2.5 CROSS SECTION			BELT WIDTH			
Part Number	Length (mm)	Number of teeth	4mm	6mm	8mm	10mm
T2.5-480-	480	192	04	06	08	10
T2.5-500-	500	200	04	06	08	10
T2.5-600-	600	240	04	06	08	10
T2.5-620-	620	248	04	06	08	10
T2.5-650-	650	260	04	06	08	10
T2.5-680-	680	272	04	06	08	10
T2.5-780-	780	312	04	06	08	10
T2.5-880-	880	352	04	06	08	10
T2.5-915-	915	366	04	06	08	10
T2.5-950-	950	380	04	06	08	10
T2.5-1185-	1185	474	04	06	08	10

T5 - SECTION

T5 CROSS SECTION			BELT WIDTH				
Part Number	Length (mm)	Number of teeth	8mm	10mm	12mm	16mm	25mm
T5-200-	200	40	08	10	12	16	25
T5-215-	215	43	08	10	12	16	25
T5-220-	220	44	08	10	12	16	25
T5-225-	225	45	08	10	12	16	25
T5-245-	245	49	08	10	12	16	25
T5-255-	255	51	08	10	12	16	25
T5-260-	260	52	08	10	12	16	25
T5-280-	280	56	08	10	12	16	25
T5-295-	295	59	08	10	12	16	25
T5-305-	305	61	08	10	12	16	25
T5-330-	330	66	08	10	12	16	25
T5-340-	340	68	08	10	12	16	25
T5-350-	350	70	08	10	12	16	25
T5-365-	365	73	08	10	12	16	25
T5-390-	390	78	08	10	12	16	25
T5-400-	400	80	08	10	12	16	25
T5-410-	410	82	08	10	12	16	25
T5-420-	420	84	08	10	12	16	25
T5-455-	455	91	08	10	12	16	25
T5-475-	475	95	08	10	12	16	25
T5-480-	480	96	08	10	12	16	25
T5-500-	500	100	08	10	12	16	25
T5-510-	510	102	08	10	12	16	25
T5-525-	525	105	08	10	12	16	25
T5-545-	545	109	08	10	12	16	25
T5-550-	550	110	08	10	12	16	25
T5-560-	560	112	08	10	12	16	25
T5-575-	575	115	08	10	12	16	25
T5-610-	610	122	08	10	12	16	25

T5 - SECTION continued

T5 CROSS SECTION			BELT WIDTH				
Part Number	Length (mm)	Number of teeth	8mm	10mm	12mm	16mm	25mm
T5-620-	620	124	08	10	12	16	25
T5-630-	630	126	08	10	12	16	25
T5-650-	650	130	08	10	12	16	25
T5-660-	660	132	08	10	12	16	25
T5-690-	690	138	08	10	12	16	25
T5-720-	720	144	08	10	12	16	25
T5-750-	750	150	08	10	12	16	25
T5-780-	780	156	08	10	12	16	25
T5-815-	815	163	08	10	12	16	25
T5-830-	830	166	08	10	12	16	25
T5-840-	840	168	08	10	12	16	25
T5-885-	885	177	08	10	12	16	25
T5-900-	900	180	08	10	12	16	25
T5-990-	990	198	08	10	12	16	25
T5-1075-	1075	215	08	10	12	16	25
T5-1100-	1100	220	08	10	12	16	25
T5-1215-	1215	243	08	10	12	16	25

T10 - SECTION

T10 CROSS SECTION			BELT WIDTH				
Part Number	Length (mm)	Number of teeth	12mm	16mm	25mm	32mm	50mm
T10-260-	260	26	12	16	25	32	50
T10-370-	370	37	12	16	25	32	50
T10-400-	400	40	12	16	25	32	50
T10-410-	410	41	12	16	25	32	50
T10-440-	440	44	12	16	25	32	50
T10-500-	500	50	12	16	25	32	50
T10-530-	530	53	12	16	25	32	50
T10-560-	560	56	12	16	25	32	50
T10-600-	600	60	12	16	25	32	50
T10-610-	610	61	12	16	25	32	50
T10-630-	630	63	12	16	25	32	50
T10-660-	660	66	12	16	25	32	50
T10-690-	690	69	12	16	25	32	50
T10-700-	700	70	12	16	25	32	50
T10-720-	720	72	12	16	25	32	50
T10-750-	750	75	12	16	25	32	50
T10-780-	780	78	12	16	25	32	50
T10-810-	810	81	12	16	25	32	50
T10-840-	840	84	12	16	25	32	50
T10-880-	880	88	12	16	25	32	50
T10-890-	890	89	12	16	25	32	50
T10-900-	900	90	12	16	25	32	50
T10-920-	920	92	12	16	25	32	50

T10 - SECTION continued

T10 CROSS SECTION			BELT WIDTH				
Part Number	Length (mm)	Number of teeth	12mm	16mm	25mm	32mm	50mm
T10-960-	960	96	12	16	25	32	50
T10-970-	970	97	12	16	25	32	50
T10-980-	980	98	12	16	25	32	50
T10-1010-	1010	101	12	16	25	32	50
T10-1080-	1080	108	12	16	25	32	50
T10-1110-	1110	111	12	16	25	32	50
T10-1140-	1140	114	12	16	25	32	50
T10-1150-	1150	115	12	16	25	32	50
T10-1210-	1210	121	12	16	25	32	50
T10-1240-	1240	124	12	16	25	32	50
T10-1250-	1250	125	12	16	25	32	50
T10-1300-	1300	130	12	16	25	32	50
T10-1320-	1320	132	12	16	25	32	50
T10-1350-	1350	135	12	16	25	32	50
T10-1390-	1390	139	12	16	25	32	50
T10-1400-	1400	140	12	16	25	32	50
T10-1420-	1420	142	12	16	25	32	50
T10-1460-	1460	146	12	16	25	32	50
T10-1500-	1500	150	12	16	25	32	50
T10-1560-	1560	156	12	16	25	32	50
T10-1610-	1610	161	12	16	25	32	50
T10-1750-	1750	175	12	16	25	32	50
T10-1780-	1780	178	12	16	25	32	50
T10-1880-	1880	188	12	16	25	32	50
T10-1960-	1960	196	12	16	25	32	50
T10-2250-	2250	225	12	16	25	32	50

AT5 - SECTION

AT5 CROSS SECTION			BELT WIDTH				
Part Number	Length (mm)	Number of teeth	8mm	10mm	12mm	16mm	25mm
AT5-225-	225	45	08	10	12	16	25
AT5-255-	255	51	08	10	12	16	25
AT5-280-	280	56	08	10	12	16	25
AT5-300-	300	60	08	10	12	16	25
AT5-330-	330	66	08	10	12	16	25
AT5-340-	340	68	08	10	12	16	25
AT5-375-	375	75	08	10	12	16	25
AT5-390-	390	78	08	10	12	16	25
AT5-420-	420	84	08	10	12	16	25
AT5-450-	450	90	08	10	12	16	25
AT5-455-	455	91	08	10	12	16	25
AT5-500-	500	100	08	10	12	16	25
AT5-545-	545	109	08	10	12	16	25
AT5-600-	600	120	08	10	12	16	25

AT5 - SECTION continued

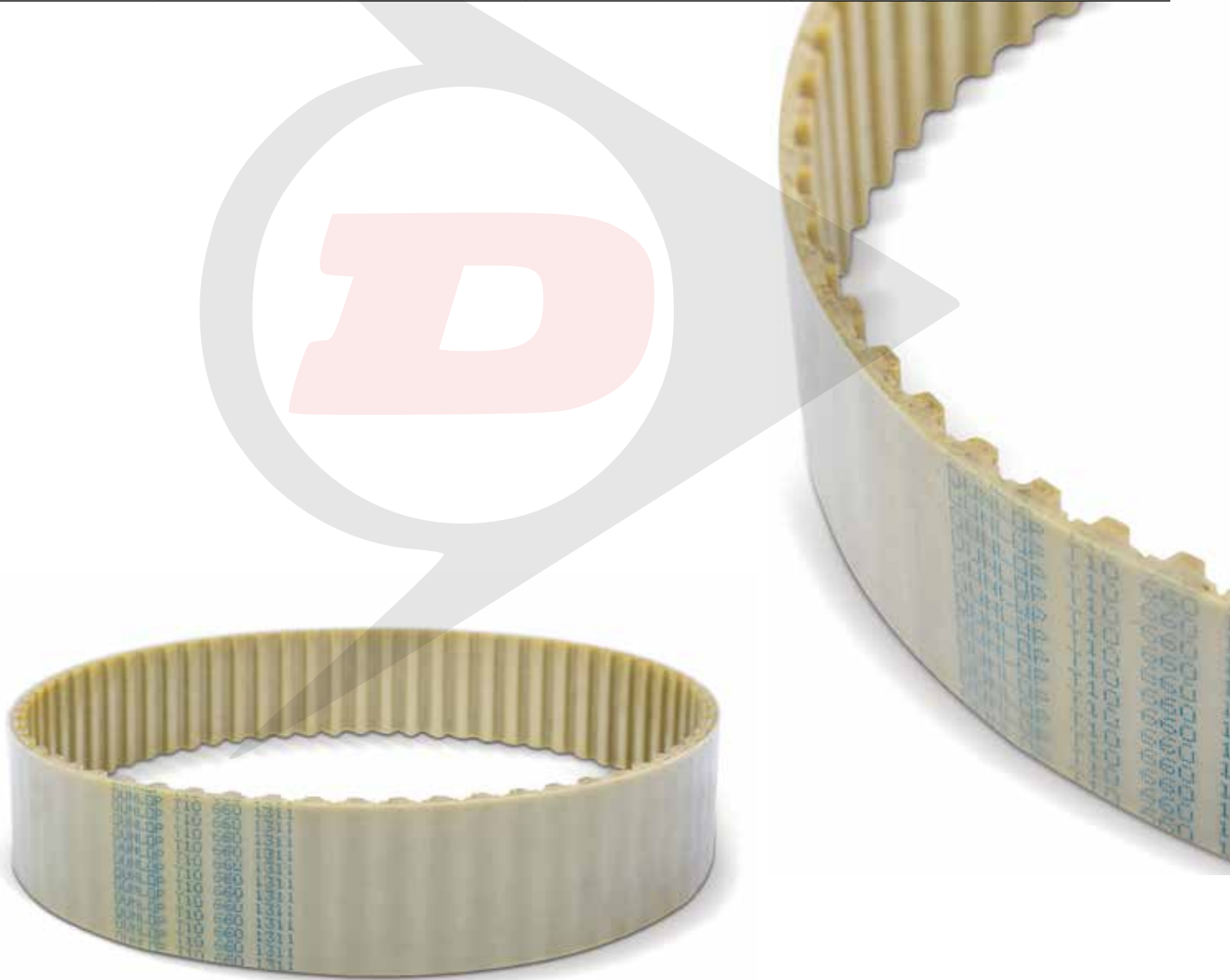
AT5 CROSS SECTION			BELT WIDTH				
Part Number	Length (mm)	Number of teeth	8mm	10mm	12mm	16mm	25mm
AT5-610-	610	122	08	10	12	16	25
AT5-660-	660	132	08	10	12	16	25
AT5-710-	710	142	08	10	12	16	25
AT5-720-	720	144	08	10	12	16	25
AT5-750-	750	150	08	10	12	16	25
AT5-780-	780	156	08	10	12	16	25
AT5-825-	825	165	08	10	12	16	25
AT5-860-	860	172	08	10	12	16	25
AT5-975-	975	195	08	10	12	16	25
AT5-1050-	1050	210	08	10	12	16	25
AT5-1125-	1125	225	08	10	12	16	25
AT5-1500-	1500	300	08	10	12	16	25
AT5-2000-	2000	400	08	10	12	16	25

AT10 - SECTION

AT10 CROSS SECTION			BELT WIDTH				
Part Number	Length (mm)	Number of teeth	12mm	16mm	25mm	32mm	50mm
AT10-500-	500	50	12	16	25	32	50
AT10-560-	560	56	12	16	25	32	50
AT10-600-	600	60	12	16	25	32	50
AT10-610-	610	61	12	16	25	32	50
AT10-660-	660	66	12	16	25	32	50
AT10-700-	700	70	12	16	25	32	50
AT10-730-	730	73	12	16	25	32	50
AT10-780-	780	78	12	16	25	32	50
AT10-800-	800	80	12	16	25	32	50
AT10-840-	840	84	12	16	25	32	50
AT10-880-	880	88	12	16	25	32	50
AT10-890-	890	89	12	16	25	32	50
AT10-920-	920	92	12	16	25	32	50
AT10-960-	960	96	12	16	25	32	50
AT10-980-	980	98	12	16	25	32	50
AT10-1000-	1000	100	12	16	25	32	50
AT10-1010-	1010	101	12	16	25	32	50
AT10-1050-	1050	105	12	16	25	32	50
AT10-1080-	1080	108	12	16	25	32	50
AT10-1100-	1100	110	12	16	25	32	50
AT10-1150-	1150	115	12	16	25	32	50
AT10-1200-	1200	120	12	16	25	32	50
AT10-1210-	1210	121	12	16	25	32	50
AT10-1220-	1220	122	12	16	25	32	50
AT10-1250-	1250	125	12	16	25	32	50
AT10-1280-	1280	128	12	16	25	32	50
AT10-1300-	1300	130	12	16	25	32	50

AT10 - SECTION continued

AT10 CROSS SECTION			BELT WIDTH				
Part Number	Length (mm)	Number of teeth	12mm	16mm	25mm	32mm	50mm
AT10-1320-	1320	132	12	16	25	32	50
AT10-1350-	1350	135	12	16	25	32	50
AT10-1360-	1360	136	12	16	25	32	50
AT10-1400-	1400	140	12	16	25	32	50
AT10-1420-	1420	142	12	16	25	32	50
AT10-1480-	1480	148	12	16	25	32	50
AT10-1500-	1500	150	12	16	25	32	50
AT10-1600-	1600	160	12	16	25	32	50
AT10-1700-	1700	170	12	16	25	32	50
AT10-1720-	1720	172	12	16	25	32	50
AT10-1800-	1800	180	12	16	25	32	50
AT10-1860-	1860	186	12	16	25	32	50
AT10-1940-	1940	194	12	16	25	32	50





OPEN ENDED TIMING BELTS

Description

Dunlop Open Ended Timing Belts are manufactured in both rubber and thermoplastic polyurethane giving superior wear and abrasion resistance, specifically suitable for linear drives, accurate positioning and reversal drives. A high load capacity, low maintenance costs and very low noise levels, make open ended belts a perfect alternative to chain or cable linear drives.

Features include; Consistent dimensional stability, low pre-tension, low noise, high abrasion resistance, low maintenance, high flexibility, linear speeds up to 80 m/sec, high precision linear positioning.

Open ended rubber and polyurethane timing belts are produced in both straight and spiral cut options and are available in the following cross sections; 3M, 5M, 8M, XL, L, H, T5 & T10.

OPEN ENDED TIMING BELTS - RUBBER

Part Number	Width	Width	Width	Width	Width	Width	Width	Width	Width
3M-	15mm	-	-	-	-	-	-	-	-
5M-	15mm	25mm	-	-	-	-	-	-	-
8M-	15mm	20mm	30mm	50mm	85mm	-	-	-	-
XL-	1/4" (025)	5/16" (031)	3/8" (037)	-	-	-	-	-	-
L-	-	-	3/8" (037)	1/2" (050)	3/4" (037)	1" (100)	-	-	-
H-	-	-	-	1/2" (050)	3/4" (037)	1" (100)	1-1/2" (150)	2" (200)	3" (300)

OPEN ENDED TIMING BELTS - POLYURETHANE

Part Number	Width	Width	Width	Width	Width	Width	Width
5M-	15mm	25mm	-	-	-	-	-
8M-	-	20mm	30mm	50mm	85mm	-	-
T5-	8mm	10mm	12mm	16mm	25mm	-	-
T10-	-	-	12mm	16mm	25mm	32mm	50mm



English



Español



Italiano



Deutsch



Français



Nederlands



Polskie

Engineering Data

120

Datos de ingeniería • Dati ingegneristici • Technische gegevens
Données d'ingénierie • Technische gegevens • Dane Inżynieria

HTD Timing Pulleys Taper Bore

123

Agujero cónico de poleas de temporización de HTD • Foro conico di pulegge di temporizzazione di HTD • HTD Timing Riemenscheiben konische Bohrung
Trou conique de poulies de minutage de HTD • Gat conische van katrollen van timing van HTD • stożkowy otwór koła pasowe rozrządu HTD

HTD Timing Pulleys Pilot Bore

130

Llevaba tiempo a piloto poleas HTD • Ha preso tempo per pilota Pulegge HTD
HTD Riemenscheiben Timing Pilotbohrung • Alésage de pilote poulies HTD de Timing • HTD Timing katrollen pilot boring • Pilot Średnica koła pasowe rozrządu HTD

Imperial Timing Pulleys Taper Bore

138

Calendario Imperial poleas agujero cónico • Calendario Imperial affusolati foro pulegge • Imperial Timing Riemenscheiben Kegel trug • Poulies de calendrier impérial coniques d'alésage • Imperial timing katrollen taper droeg
Imperial otworu stożkowego koła pasowe rozrządu

Imperial Timing Pulleys Pilot Bore

146

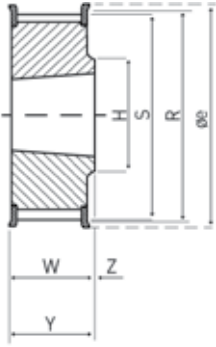
Alesaje Imperial piloto de poleas de distribución • Imperial temporizzazione pilota pulegge foro • Imperial timing Riemenscheiben Pilot trug • Imperial chronométrage pilote poulies d'alésage • Imperial timing katrollen pilot boring • Cesarskie koła pasowe rozrządu otwór pilotażowy

Metric Timing Pulleys Pilot Bore

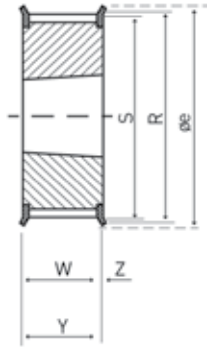
158

Métrico tiempo a piloto de poleas del alesaje • Metrica temporizzazione pilota pulegge foro • Metrisches timing Riemenscheiben Pilot trug • Alésage métrique chronométrage pilote de poulies • Metrisch timing katrollen pilot boring
Metryczne koła pasowe zębate otwór pilotażowy

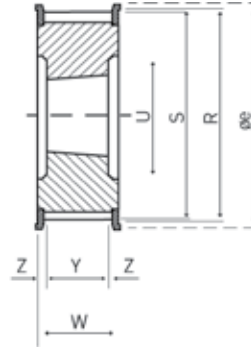
ENGINEERING DATA TIMING PULLEYS TAPER BORE



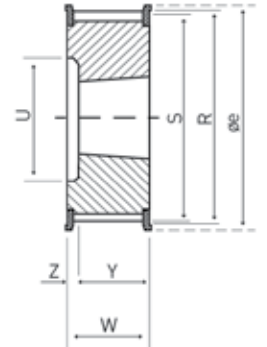
Type 1



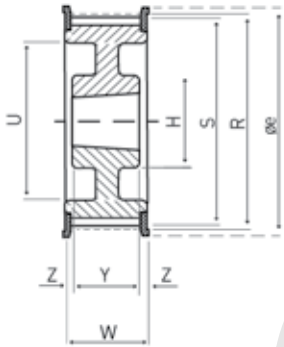
Type 2



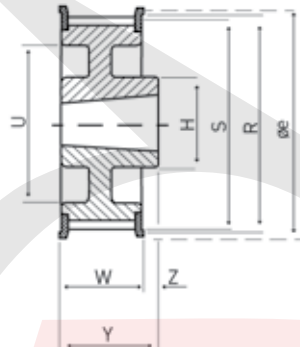
Type 3



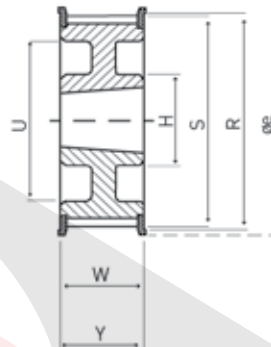
Type 4



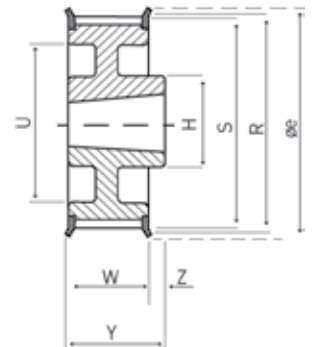
Type 5



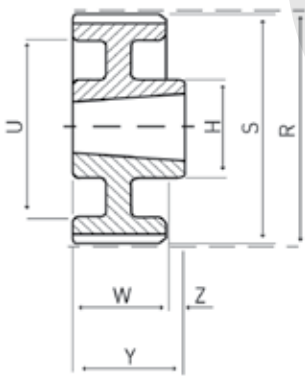
Type 6



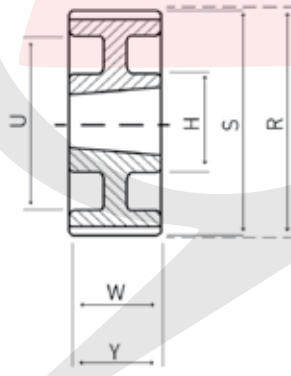
Type 7



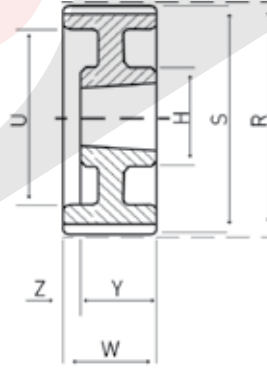
Type 8



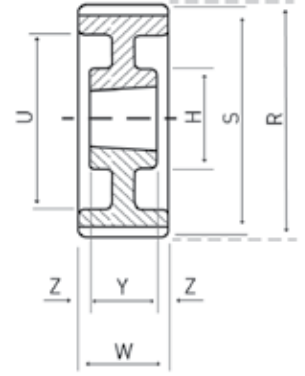
Type 9



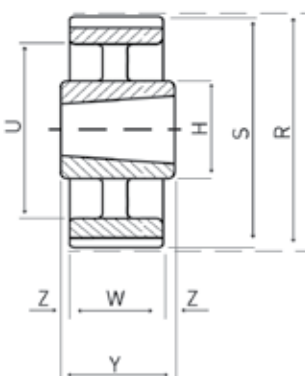
Type 10



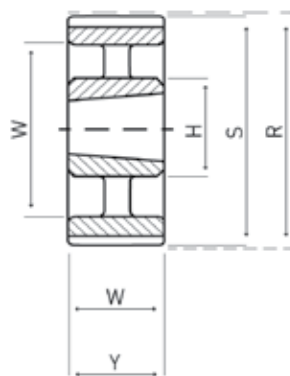
Type 11



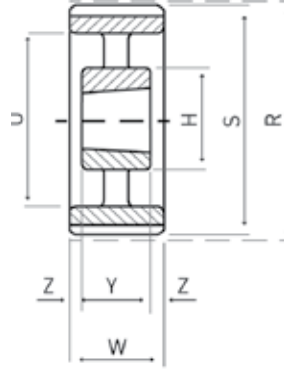
Type 12



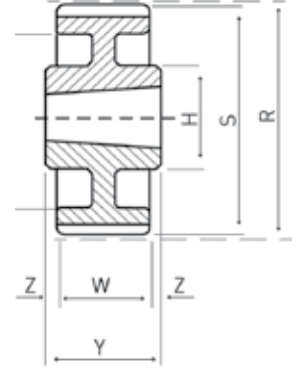
Type 13



Type 14

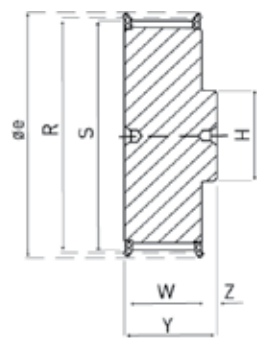


Type 15

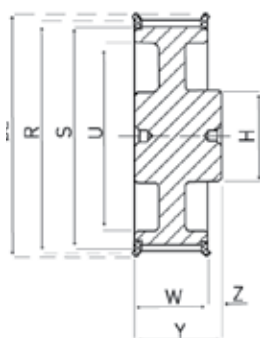


Type 16

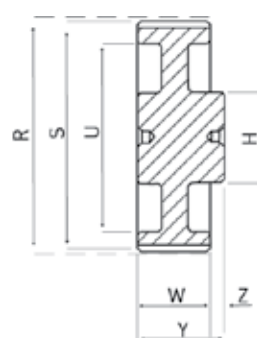
TIMING PULLEYS PILOT BORE



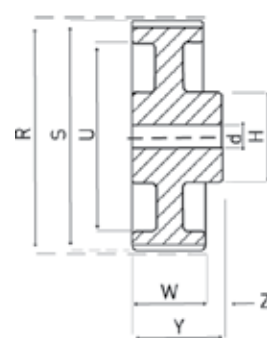
Type 1



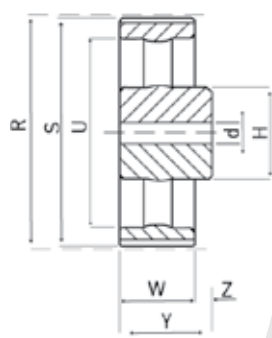
Type 2



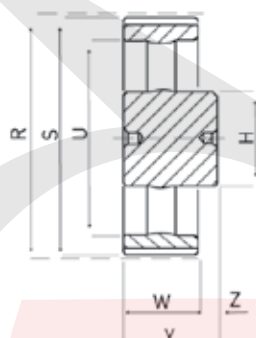
Type 3



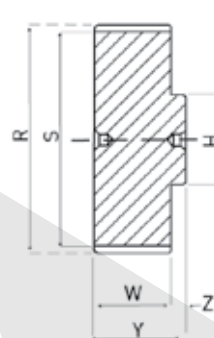
Type 4



Type 5



Type 6



Type 7



TIMING PULLEYS

PULLEY IDENTIFICATION

Timing pulleys are indicated by a conventional code consisting of 3 groups. The first group shows number of teeth. The second group shows the pitch (stated at the beginning of each table). The third group shows the belt width for which the pulley has to be used:

XL, L, H, XH & XXH pulleys, the belt width is in hundred of an inch (100 =1 inch)

HTD, T2,5, T5 & T10 pulleys the belt width is in mm.

PULLEY TOLERANCE DATA

Positive drive pulleys are manufactured according to:
 DIN ISO 5294
 DIN 7721

PULLEY BORE TOLERANCES

Normally pulleys are bored with H7 tolerance, if not otherwise specified.

LATERAL OSCILLATION

The pulley bore must be at right angles to the vertical faces of the pulley within 0,0254 mm for each 25,4 mm radius.

STANDARD PULLEYS

These pulleys have equally spaced grooves machined in to the outside diameter, to give correct meshing with the belts teeth. The pulley grooves are of a special design to give this correct meshing of the belt teeth with minimal friction.

All pulleys manufactured have correct minimum meshing tolerances built in and the pitch diameter is always larger than the outside diameter. Timing pulleys are normally stocked in a wide range of diameters and number of teeth along with standard widths.

PROTECTIVE TREATMENT

Steel and Cast Iron Pulleys are black phosphated.

SPECIAL PULLEYS

Special pulleys can be manufactured to customer drawings. It is recommended that pulleys should be made of cast iron or steel. It is essential to use steel when the peripheral speed is over 30 m/s. If weight is a limiting factor, pulleys can also be made in aluminium. However if aluminium is used the pulley will have a shorter life due to the lightly abrasive effect of the-nylon cover of the belt. Hard-anodising of the teeth may extend pulley life.

Type	MXL	XL	L	H	XH	3 M	5 M	8M	14 M	T2.5	T5 AT5	T10 AT10	T20
Pitch mm	2.032	5.080	9.525	12.700	22.225	3	5	8	14	2.5	5	10	20
inches	0.080	0.200	0.375	0.500	0.875	-	-	-	-	-	-	-	-
	(2/25)	(1/5)	(3/8)	(1/2)	(7/8)	-	-	-	-	-	-	-	-

Eccentricity of pulley bore to outside diameter

Outside diameter in mm	Total eccentricity in mm (dial indicator reading)
up to 254	0.1270
over 254	0.0127 each 25.4 mm diameter



TIMING PULLEYS



HTD TIMING PULLEYS TAPER BORE

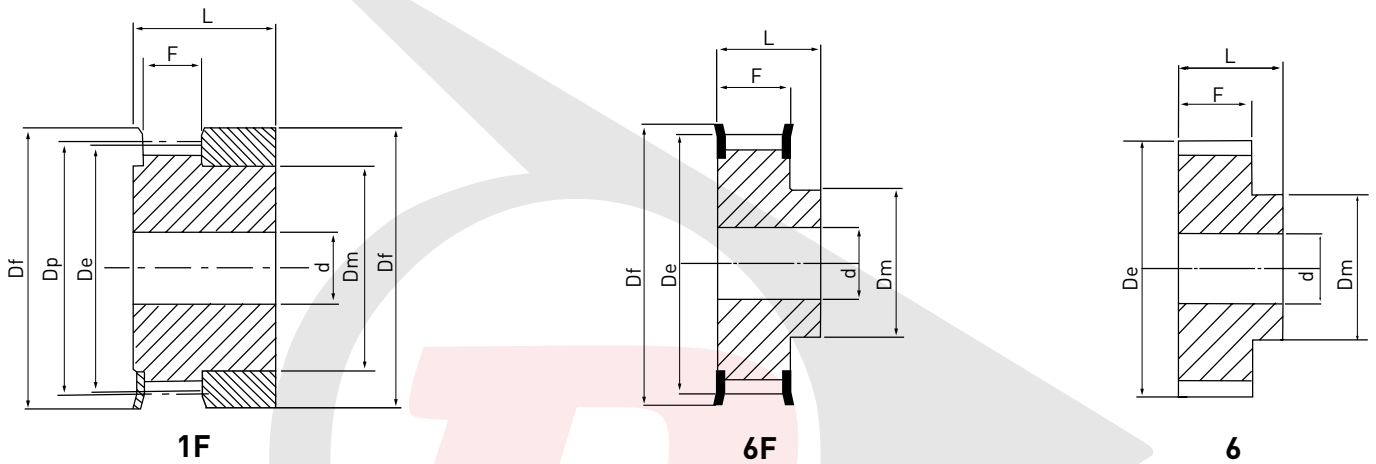
Description

Dunlop HTD Timing Belt Pulleys are manufactured from either C45 steel with black oxide surface treatment, cast iron EN-GJL-200 and black phosphate or aluminium 6082. Pulley flanges are produced from S235JR steel.

HTD Timing Belt Pulleys are available to suit all HTD pitch sizes, 3M, 5M, 8M & 14M and are available from stock in both taper and pilot bore options.

Part numbers are identified by a 2 or 3 digit number (e.g. 44) which represents the number of teeth, a number and a letter (e.g. 8M) the pulleys pitch and a 2 or 3 digit number (e.g. 30) the width of the appropriate corresponding timing belt, for example 44-8M-30F.

Drawing Reference for 3M - SECTION



3M-06 - SECTION

Part Number	Type	Bushing Type	Max Bore	Dp mm	De mm	Df mm	Dm mm	F mm	L mm		Flange	Material
10 3M 06	1F			9.55	8.79	13.0	6.0	7.2	14.5		With Flanges	Aluminium
12 3M 06	1F			11.46	10.70	15.0	8.0	7.2	14.5			
14 3M 06	1F			13.37	12.61	16.0	9.5	7.2	14.5			
15 3M 06	1F			14.32	13.56	17.5	11.6	7.2	14.5			
16 3M 06	6F			15.28	14.52	18.0	10.0	9.8	17.5			
18 3M 06	6F			17.19	16.43	20.0	11.0	9.8	17.5			
20 3M 06	6F			19.10	18.34	23.0	13.0	9.8	17.5			
21 3M 06	6F			20.05	19.29	25.0	13.0	9.8	17.5			
22 3M 06	6F			21.01	20.25	25.0	13.0	9.8	17.5			
24 3M 06	6F			22.92	22.16	25.0	13.0	9.8	17.5			
26 3M 06	6F			24.83	24.07	28.0	16.0	9.8	17.5			
28 3M 06	6F			26.74	25.98	32.0	18.0	9.8	17.5			
30 3M 06	6F			28.65	27.89	32.0	20.0	9.8	17.5			
32 3M 06	6F			30.56	29.80	36.0	22.0	9.8	17.5			
36 3M 06	6F			34.38	33.62	38.0	26.0	10.3	18.0			
40 3M 06	6F			38.20	37.44	42.0	28.0	10.3	18.0			
44 3M 06	6F			42.02	41.26	48.0	33.0	10.3	18.0			
48 3M 06	6			45.84	45.08	-	33.0	10.3	18.6		Without Flanges	Aluminium
60 3M 06	6			57.30	56.54	-	33.0	10.3	18.6			
72 3M 06	6			68.75	67.99	-	33.0	10.3	18.6			

3M-09 - SECTION

Part Number	Type	Bushing Type	Bushing Max Bore	Dp mm	De mm	Df mm	Dm mm	F mm	L mm			Flange	Material
10 3M 09	1F			9.55	8.79	13.0	6.0	10.2	17.5			With Flanges	Aluminium
12 3M 09	1F			11.46	10.70	15.0	8.0	10.2	17.5				
14 3M 09	1F			13.37	12.61	16.0	9.5	10.2	17.5				
15 3M 09	1F			14.32	13.56	17.5	11.6	10.2	17.5				
16 3M 09	6F			15.28	14.52	18.0	10.0	12.8	20.6				
18 3M 09	6F			17.19	16.43	20.0	11.0	12.8	20.6				
20 3M 09	6F			19.10	18.34	23.0	13.0	12.8	20.6				
21 3M 09	6F			20.05	19.29	25.0	13.0	12.8	20.6				
22 3M 09	6F			21.01	20.25	25.0	13.0	12.8	20.6				
24 3M 09	6F			22.92	22.16	25.0	13.0	12.8	20.6				
26 3M 09	6F			24.83	24.07	28.0	16.0	12.08	20.6				
28 3M 09	6F			26.74	25.98	32.0	18.0	12.8	20.6				
30 3M 09	6F			28.65	27.89	32.0	20.0	12.8	20.6				
32 3M 09	6F			30.56	29.80	36.0	22.0	12.8	20.6				
36 3M 09	6F			34.38	33.62	38.0	26.0	13.4	22.2				
40 3M 09	6F			38.20	37.44	42.0	28.0	13.4	22.2				
44 3M 09	6F			42.02	41.26	48.0	33.0	13.4	22.2				
48 3M 09	6			45.84	45.08	-	33.0	13.4	22.2			Without Flanges	Aluminium
60 3M 09	6			57.30	56.54	-	33.0	13.4	22.2				
72 3M 09	6			68.75	67.99	-	33.0	13.4	22.2				

3M-15 - SECTION

Part Number	Type	Bushing Type	Bushing Max Bore	Dp mm	De mm	Df mm	Dm mm	F mm	L mm			Flange	Material
10 3M 15	1F			9.55	8.79	13.0	6.0	17.0	26			With Flanges	Aluminium
12 3M 15	1F			11.46	10.70	15.0	8.0	17.0	26				
14 3M 15	1F			13.37	12.61	16.0	9.5	17.0	26				
15 3M 15	1F			14.32	13.56	17.5	11.6	17.0	26				
16 3M 15	6F			15.28	14.52	18.0	10.0	19.5	26				
18 3M 15	6F			17.19	16.43	20.0	11.0	19.5	26				
20 3M 15	6F			19.10	18.34	23.0	12.0	19.5	26				
21 3M 15	6F			20.05	19.29	25.0	13.0	19.5	26				
22 3M 15	6F			21.01	20.25	25.0	13.0	19.5	26				
24 3M 15	6F			22.92	22.16	25.0	13.0	19.5	26				
26 3M 15	6F			24.83	24.07	28.0	16.0	19.5	26				
28 3M 15	6F			26.74	25.98	32.0	18.0	19.5	26				
30 3M 15	6F			28.65	27.89	32.0	20.0	19.5	26				
32 3M 15	6F			30.56	29.80	36.0	22.0	19.5	26				
36 3M 15	6F			34.38	33.62	38.0	26.0	20.0	30				
40 3M 15	6F			38.20	37.44	42.0	28.0	20.0	30				
44 3M 15	6F			42.02	41.26	48.0	33.0	20.0	30				
48 3M 15	6			45.84	45.08	-	33.0	20.0	30			Without Flanges	Aluminium
60 3M 15	6			57.30	56.54	-	33.0	20.0	30				
72 3M 15	6			68.75	67.99	-	33.0	20.0	30				

5M - SECTION 15

Part Number	Type	Bushing Type	Max Bore	R mm	S mm	Ø e mm	U mm	W mm	H mm	Y mm	Z mm	Flange	Material
34-5M-15F	8	1008	25	54.11	52.97	57	-	22	-	22	-	With Flanges	Steel
36-5M-15F	8	1108	28	57.30	56.16	62	-	22	-	22	-		
38-5M-15F	8	1108	28	60.48	59.34	67	-	22	-	22	-		
40-5M-15F	8	1108	28	63.66	62.52	73	-	22	-	22	-		
44-5M-15F	8	1108	28	70.03	68.89	73	-	22	-	22	-		
48-5M-15F	1	1210	32	76.39	75.25	84	-	20.5	64	22	4.5		
56-5M-15F	1	1210	32	89.13	87.99	94	-	20.5	70	22	4.5	Without Flanges	Cast Iron
64-5M-15	1	1210	32	101.86	100.72	108	-	20.5	78	22	4.5		
72-5M-15	1	1610	42	114.59	113.45	121	-	20.5	90	22	4.5		
80-5M-15	1	1610	42	127.32	126.18	131	-	20.5	92	22	4.5		
90-5M-15	15	1610	42	143.24	142.10	-	122	20.5	92	22	4.5		
112-5M-15	15	1610	42	178.25	177.11	-	157	20.5	92	22	4.5		
136-5M-15	15	2012	50	216.45	215.31	-	195	20.5	110	22	5.8		
150-5M-15	15	2012	50	238.73	237.59	-	217	20.5	110	22	5.8		

8M - SECTION 20

Part Number	Type	Bushing Type	Max Bore	R mm	S mm	Ø e mm	U mm	W mm	H mm	Y mm	Z mm	Flange	Material
22-8M-20F	4	1008	25	56.02	54.65	62	38	28	-	6	22	With Flanges	Cast Iron
24-8M-20F	4	1108	28	61.12	59.74	67	42	28	-	6	22		
26-8M-20F	4	1108	28	66.21	64.84	73	45	28	-	6	22		
28-8M-20F	4	1108	28	71.30	69.93	77	52	28	-	6	22		
30-8M-20F	4	1108	28	76.39	75.02	84	56	28	-	6	22		
32-8M-20F	4	1210	32	81.49	80.12	88	65	28	-	3	25		
34-8M-20F	4	1210	32	86.58	85.21	94	66	28	-	3	25		
36-8M-20F	4	1210	32	91.67	90.30	98	68	28	-	3	25		
38-8M-20F	4	1610	42	96.77	95.39	104	76	28	-	3	25		
40-8 M-20F	4	1610	42	101.86	100.49	108	80	28	-	3	25		
44-8M-20F	1	1610	42	112.05	110.67	121	-	28	99	4	32		
48-8M-20F	1	1610	42	122.23	120.86	129	-	28	105	4	32		
56-8M-20F	1	2012	50	142.60	141.23	149	-	28	105	4	32		
64-8M-20F	6	2012	50	162.97	161.60	168	140	28	110	4	32		
72-8M-20F	6	2012	50	183.35	181.97	191	158	28	110	4	32		
80-8M-20	9	2012	50	203.72	202.35	-	178	28	110	4	32		
90-8M-20	12	2012	50	229.18	227.81	-	204	28	110	4	32		

8M - SECTION 30

Part Number	Type	Bushing Type	Max Bore	R mm	S mm	Ø e mm	U mm	W mm	H mm	Y mm	Z mm	Flange	Material		
22-8M-30F	4	1008	25	56.02	54.65	62	38	38	-	16	22	With Flanges	Cast Iron		
24-8M-30F	4	1008	25	61.12	59.74	67	42	38	-	16	22				
26-8M-30F	4	1008	25	66.21	64.84	73	45	38	-	16	22				
28-8M-30F	4	1008	25	71.30	69.93	77	52	38	-	16	22				
30-8M-30F	8	1615	42	76.39	75.02	84	-	38	-	-	38				
32-8M-30F	8	1615	42	81.49	80.12	88	-	38	-	-	38				
34-8M-30F	8	1615	42	86.58	85.21	94	-	38	-	-	38				
36-8M-30F	8	1615	42	91.67	90.30	98	-	38	-	-	38				
38-8M-30F	8	1615	42	96.77	95.39	104	-	38	-	-	38				
40-8M-30F	8	1615	42	101.86	100.49	108	-	38	-	-	38				
44-8M-30F	2	2012	50	112.05	110.67	121	90	38	-	3	32				
48-8M-30F	2	2012	50	122.23	120.86	129	98	38	-	3	32				
56-8M-30F	6	2012	50	142.60	141.23	149	118	38	-	3	32				
64-8M-30F	6	2517	65	162.97	161.60	168	140	38	120	7	45				
72-8M-30F	12	2517	65	183.35	181.97	191	158	38	120	7	45				
80-8M-30	12	2517	65	203.72	202.35	-	178	38	120	7	45				
90-8M-30	12	2517	65	229.18	227.81	-	204	38	120	7	45				
112-8M-30	12	2517	65	285.21	283.83	-	260	38	120	7	45				
144-8M-30	12	2517	65	366.69	365.32	-	341	38	120	7	45				
												Without Flanges			

8M - SECTION 50

Part Number	Type	Bushing Type	Max Bore	R mm	S mm	Ø e mm	U mm	W mm	H mm	Y mm	Z mm	Flange	Material		
28-8M-50F	2	1108	28	71,30	69,93	77	52	60	-	19	22	With Flanges	Cast Iron		
30-8M-50F	4	1615	42	76,39	75,02	84	58	60	-	22	38				
32-8M-50F	4	1615	42	81,49	80,12	88	60	60	-	22	38				
34-8M-50F	4	1615	42	86,58	85,21	94	66	60	-	22	38				
36-8M-50F	4	1615	42	91,67	90,30	98	68	60	-	22	38				
38-8M-50F	4	1615	42	96,77	95,39	104	75	60	-	22	38				
40-8M-50F	2	2012	50	101,86	100,49	108	80	38	-	14	32				
44-8M-50F	2	2012	50	112,05	110,67	121	90	38	-	14	32				
48-8M-50F	2	2012	50	122,23	120,86	129	100	38	-	14	32				
56-8M-50F	2	2517	65	142,60	141,23	149	120	38	-	7.5	45				
64-8M-50F	5	2517	65	162,97	161,60	168	138	60	120	7.5	45				
72-8M-50F	5	2517	65	183,35	181,97	191	158	60	120	7.5	45				
80-8M-50F	7	3020	75	203,72	202,35	-	178	60	140	4.5	51				
90-8M-50	7	3020	75	229,18	227,81	-	204	60	146	4.5	51				
112-8M-50	14	3020	75	285,21	283,83	-	260	60	146	4.5	51				
144-8M-50	14	3020	75	366,69	365,32	-	341	60	146	4.5	51				
168-8M-50	14	3020	75	427,80	426,42	-	402	60	146	4.5	51				
192-8M-50	14	3020	75	488,92	487,54	-	462	60	146	4.5	51				
												Without Flanges			

8M - SECTION 85

Part Number	Type	Bushing Type	Bushing Max Bore	R mm	S mm	Ø e mm	U mm	W mm	H mm	Z mm	Y mm	Flange	Material
34-8M-85F	2	1615	42	86,58	85,21	94	66	95	-	28.5	38	With Flanges	Cast Iron
36-8M-85F	2	1615	42	91,67	90,30	98	68	95	-	28.5	38		
38-8M-85F	2	1615	42	96,77	95,39	104	75	95	-	28.5	38		
40-8M-85F	2	2012	50	101,86	100,49	108	80	95	-	31.5	32		
44-8M-85F	2	2012	50	112,05	110,67	121	90	95	-	31.5	32		
48-8M-85F	2	2517	65	122,23	120,86	129	100	95	-	25	45		
56-8M-85F	2	2517	65	142,60	141,23	149	120	95	-	25	45		
64-8M-85F	2	2517	65	162,97	161,60	168	138	95	-	25	45		
72-8M-85F	2	3020	75	183,35	181,97	191	158	95	-	22	51		
80-8M-85	7	3020	75	203,72	202,35	-	178	95	140	22	51		
90-8M-85	7	3020	75	229,18	227,81	-	204	95	146	22	51		
112-8M-85	14	3020	75	285,21	283,83	-	260	95	146	22	51		
144-8M-85	14	3030	75	366,69	365,32	-	341	95	140	9.5	76		
168-8M-85	14	3030	75	427,80	426,42	-	402	95	140	9.5	76		
192-8M-85	14	3030	75	488,92	487,54	-	462	95	140	9.5	76		
												Without Flanges	

14M - SECTION 40

Part Number	Type	Bushing Type	Bushing Max Bore	R mm	S mm	Ø e mm	U mm	W mm	H mm	Z mm	Y mm	Flange	Material
28-14M-40F	2	2517	65	124.78	122.12	134	98	54	-	11	32	With Flanges	Cast Iron
29-14M-40F	2	2517	65	129.23	126.57	134	100	54	-	11	32		
30-14M-40F	2	2517	65	133.69	130.99	142	100	54	-	11	32		
32-14M-40F	2	2517	65	142.60	139.88	150	104	54	-	11	32		
34-14M-40F	2	2517	65	151.52	148.79	158	110	54	-	4.5	45		
36-14M-40F	2	2517	65	160.43	157.68	166	120	54	-	4.5	45		
38-14M-40F	2	2517	65	169.34	166.60	177	130	54	-	4.5	45		
40-14M-40F	2	2517	65	178.25	175.49	186	138	54	-	4.5	45		
44-14M-40F	2	3020	75	196.08	193.28	209	154	54	-	1.5	51		
48-14M-40F	2	3020	75	213.90	211.11	216	172	54	-	1.5	51		
56-14M-40F	5	3020	75	249.56	246.76	261	207	54	146	1.5	51		
64-14M-40F	5	3020	75	285.21	282.41	288	243	54	146	1.5	51		
72-14M-40	7	3020	75	320.86	318.06	-	279	54	146	1.5	51		
80-14M-40	14	3020	75	356.51	353.71	-	314	54	146	1.5	51		
90-14M-40	14	3020	75	401.07	398.28	-	359	54	146	1.5	51		
112-14M-40	14	3020	75	499.11	496.32	-	457	54	146	1.5	51		
144-14M-40	14	3020	75	641.71	638.92	-	600	54	146	1.5	51		
168-14M-40	14	3020	75	784.66	745.87	-	705	54	146	1.5	51		
192-14M-40	12	3535	90	855.62	852.82	-	812	54	178	35	89		
216-14M-40	12	3535	90	962.57	959.77	-	920	54	178	35	89		
264-14M-40	12	3535	90	1176.47	1173.67	-	1133	54	178	35	89		
												Without Flanges	

14M - SECTION 55

Part Number	Type	Bushing		R mm	S mm	Ø e mm	U mm	W mm	H mm	Z mm	Y mm	Flange	Material	
		Type	Max Bore											
28-14M-55F	2	2012	50	124,78	122,12	134	98	70	-	19	32	With Flanges	Cast Iron	
29-14M-55F	2	2012	50	129,23	126,57	134	100	70	-	19	32			
30-14M-55F	2	2517	65	133,69	130,99	142	100	70	-	12,5	45			
32-14M-55F	2	2517	65	142,60	139,88	150	104	70	-	12,5	45			
34-14M-55F	2	2517	65	151,52	148,79	158	110	70	-	12,5	45			
36-14M-55F	2	2517	65	160,43	157,68	166	120	70	-	12,5	45			
38-14M-55F	2	2517	65	169,34	166,60	177	130	70	-	12,5	45			
40-14M-55F	2	2517	65	178,25	175,49	186	138	70	-	12,5	45			
44-14M-55F	2	3020	75	196,08	193,28	209	154	70	-	9,5	51			
48-14M-55F	2	3020	75	213,90	211,11	216	172	70	-	9,5	51			
56-14M-55F	5	3020	75	249,56	246,76	261	207	70	146	9,5	51			
64-14M-55F	5	3020	75	285,21	282,41	288	243	70	146	9,5	51			
72-14M-55	7	3020	75	320,86	318,06	-	279	70	146	9,5	51			
80-14M-55	14	3020	75	356,51	353,71	-	314	70	146	9,5	51			
90-14M-55	14	3020	75	401,07	398,28	-	359	70	146	9,5	51			
112-14M-55	14	3020	75	499,11	496,32	-	457	70	146	9,5	51			
144-14M-55	14	3020	75	641,71	638,92	-	600	70	146	9,5	51			
168-14M-55	14	3020	75	784,66	745,87	-	705	70	146	9,5	51			
192-14M-55	12	3535	90	855,62	852,82	-	812	70	178	19	89			
216-14M-55	12	3535	90	962,57	959,77	-	920	70	178	19	89			
264-14M-55	12	3535	90	1176,47	1173,67	-	1133	70	178	19	89			
												Without Flanges		

14M - SECTION 85

Part Number	Type	Bushing		R mm	S mm	Ø e mm	U mm	W mm	H mm	Z mm	Y mm	Flange	Material	
		Type	Max Bore											
28-14M-85F	2	2517	65	124,78	122,12	134	98	102	-	28,5	45	With Flanges	Cast Iron	
29-14M-85F	2	2517	65	129,23	126,57	134	100	102	-	28,5	45			
30-14M-85F	2	2517	65	133,69	130,99	142	100	102	-	28,5	45			
32-14M-85F	2	2517	65	142,60	139,88	150	104	102	-	28,5	45			
34-14M-85F	2	2517	65	151,52	148,79	158	110	102	-	28,5	45			
36-14M-85F	2	3020	75	160,43	157,68	166	120	102	-	25,5	51			
38-14M-85F	2	3020	75	169,34	166,60	177	130	102	-	25,5	51			
40-14M-85F	2	3020	75	178,25	175,49	186	138	102	-	25,5	51			
44-14M-85F	2	3030	75	196,08	193,28	209	154	102	-	13	76			
48-14M-85F	2	3030	75	213,90	211,11	216	172	102	-	13	76			
56-14M-85F	2	3535	90	249,56	246,76	261	207	102	-	6,5	89			
64-14M-85F	5	3535	90	285,21	282,41	288	243	102	178	6,5	89			
72-14M-85	7	3535	90	320,86	318,06	-	279	102	178	6,5	89			
80-14M-85	14	3535	90	356,51	353,71	-	314	102	178	6,5	89			
90-14M-85	14	3535	90	401,07	398,28	-	359	102	178	6,5	89			
112-14M-85	14	3535	90	499,11	496,32	-	457	102	178	6,5	89			
144-14M-85	14	3535	90	641,71	638,92	-	600	102	178	6,5	89			
168-14M-85	14	3535	90	784,66	745,87	-	705	102	178	6,5	89			
192-14M-85	14	4040	100	855,62	852,82	-	812	102	215	0	102			
216-14M-85	14	4040	100	962,57	959,77	-	920	102	215	0	102			
264-14M-85	14	4040	100	1176,47	1173,67	-	1133	102	215	0	102			
												Without Flanges		

14M - SECTION 115

Part Number	Type	Bushing Type	Max Bore	R mm	S mm	Ø e mm	U mm	W mm	H mm	Z mm	Y mm	Flange	Material
28-14M-115F	2	2517	65	124,78	122,12	134	98	133	-	44	45	With Flanges	Cast Iron
29-14M-115F	2	2517	65	129,23	126,57	134	100	133	-	44	45		
30-14M-115F	2	2517	65	133,69	130,99	142	100	133	-	44	45		
32-14M-115F	2	2517	65	142,60	139,88	150	104	133	-	44	45		
34-14M-115F	2	2517	65	151,52	148,79	158	110	133	-	44	45		
36-14M-115F	2	3020	75	160,43	157,68	166	120	133	-	41	51		
38-14M-115F	2	3020	75	169,34	166,60	177	130	133	-	41	51		
40-14M-115F	2	3020	75	178,25	175,49	186	138	133	-	41	51		
44-14M-115F	2	3030	75	196,08	193,28	209	154	133	-	28.5	76		
48-14M-115F	2	3030	75	213,90	211,11	216	172	133	-	28.5	76		
56-14M-115F	2	3535	90	249,56	246,76	261	207	133	-	22	89		
64-14M-115F	5	3535	90	285,21	282,41	288	243	133	178	22	89		
72-14M-115	7	3535	90	320,86	318,06	-	279	133	178	22	89		
80-14M-115	14	3535	90	356,51	353,71	-	314	133	178	22	89		
90-14M-115	14	3535	90	401,07	398,28	-	359	133	178	22	89		
112-14M-115	14	3535	90	499,11	496,32	-	457	133	178	22	89		
144-14M-115	14	4040	100	641,71	638,92	-	600	133	215	15.5	102		
168-14M-115	14	4040	100	784,66	745,87	-	705	133	215	15.5	102		
192-14M-115	14	4040	100	855,62	852,82	-	812	133	215	15.5	102		
216-14M-115	14	4040	100	962,57	959,77	-	920	133	215	15.5	102		
264-14M-115	14	5050	100	1176,47	1173,67	-	1133	133	267	3	127		
												Without Flanges	

14M - SECTION 170

Part Number	Type	Bushing Type	Max Bore	R mm	S mm	Ø e mm	U mm	W mm	H mm	Z mm	Y mm	Flange	Material
38-14M-170F	2	3030	75	169,34	166,60	177	130	187	-	55.5	76	With Flanges	Cast Iron
40-14M-170F	2	3030	75	178,25	175,49	186	138	187	-	55.5	76		
44-14M-170F	2	3535	90	196,08	193,28	209	154	187	-	49	89		
48-14M-170F	2	3535	90	213,90	211,11	216	172	187	-	49	89		
56-14M-170F	2	3535	90	249,56	246,76	261	207	187	-	49	89		
64-14M-170F	2	4040	100	285,21	282,41	288	243	187	-	42.5	102		
72-14M-170	7	4040	100	320,86	318,06	-	279	187	215	42.5	102		
80-14M-170	7	4040	100	356,51	353,71	-	314	187	215	42.5	102		
90-14M-170	14	4040	100	401,07	398,28	-	359	187	215	42.5	102		
112-14M-170	14	5050	125	499,11	496,32	-	457	187	267	30	127		
144-14M-170	14	5050	125	641,71	638,92	-	600	187	267	30	127		
168-14M-170	14	5050	125	784,66	745,87	-	705	187	267	30	127		
192-14M-170	14	5050	125	855,62	852,82	-	812	187	267	30	127		
216-14M-170	14	5050	125	962,57	959,77	-	920	187	267	30	127		
264-14M-170	14	5050	125	1176,47	1173,67	-	1133	187	267	30	127		
												Without Flanges	



TIMING PULLEYS



HTD TIMING PULLEYS PILOT BORE

Description

Dunlop HTD timing belt pulleys are manufactured from either C45 steel with black oxide surface treatment, cast iron EN-GJL-200 and black phosphate or aluminium 6082. Pulley flanges are produced from S235JR steel.

HTD timing belt pulleys are available to suit all HTD pitch sizes, 3M, 5M, 8M & 14M and are available from stock in both taper and pilot bore options.

Part numbers are identified by a 2 or 3 digit number (e.g. 44) which represents the number of teeth, a number and a letter (e.g. 8M) the pulleys pitch and a 2 or 3 digit number (e.g. 30) the width of the appropriate corresponding timing belt, for example 44-8M-30F.

3M - SECTION 09

Part Number	Teeth	Type	R mm	S mm	Ø e mm	H mm	W mm	Y mm	Z mm	Flange	Material
10-3M-09F	10	3	9.55	8.79	12.0	12.0	10.2	17.5	7.3	With Flanges	Aluminium
12-3M-09F	12	3	11.46	10.70	16.0	15.0	10.2	17.5	7.3		
14-3M-09F	14	3	13.37	12.61	18.0	18.0	10.2	17.5	7.3		
15-3M-09F	15	3	14.32	13.56	16.0	18.0	10.2	17.5	7.3		
16-3M-09F	16	1	15.28	14.52	20.0	10.0	12.8	20.6	7.8		
18-3M-09F	18	1	17.19	16.43	20.0	11.0	12.8	20.6	7.8		
20-3M-09F	20	1	19.10	18.34	23.0	13.0	12.8	20.6	7.8		
21-3M-09F	21	1	20.05	19.29	24.0	14.0	12.8	20.6	7.8		
22-3M-09F	22	1	21.01	20.05	25.0	14.0	12.8	20.6	7.8		
24-3M-09F	24	1	22.92	22.16	27.0	14.0	12.8	20.6	7.8		
26-3M-09F	26	1	24.83	24.07	27.0	16.0	12.8	20.6	7.8		
28-3M-09F	28	1	26.74	25.98	30.0	18.0	12.8	20.6	7.8		
30-3M-09F	30	1	28.65	27.89	33.0	20.0	12.8	20.6	7.8		
32-3M-09F	32	1	30.56	29.80	33.0	22.0	12.8	20.6	7.8		
36-3M-09F	36	1	34.38	33.62	40.0	26.0	13.4	22.2	8.8		
40-3M-09F	40	1	38.20	37.44	46.0	28.0	13.4	22.2	8.8		
44-3M-09F	44	1	42.02	41.26	46.0	33.0	13.4	22.2	8.8		
48-3M-09	48	7	45.84	45.08	-	33.0	13.4	22.2	8.8	Without Flanges	Aluminium
60-3M-09	50	7	57.30	56.54	-	33.0	13.4	22.2	8.8		
72-3M-09	72	7	68.75	67.99	-	33.0	13.4	22.2	8.8		

3M - SECTION 15

Part Number	Teeth	Type	R mm	S mm	Ø e mm	H mm	W mm	Y mm	Z mm	Flange	Material
10-3M-15F	10	3	9.55	8.79	12.0	12.0	17.0	26.0	9	With Flanges	Aluminium
12-3M-15F	12	3	11.46	10.70	16.0	15.0	17.0	26.0	9		
14-3M-15F	14	3	13.37	12.61	18.0	18.0	17.0	26.0	9		
15-3M-15F	15	3	14.32	13.56	16.0	18.0	17.0	26.0	9		
16-3M-15F	16	1	15.28	14.52	20.0	10.0	19.5	26.0	6.5		
18-3M-15F	18	1	17.19	16.43	20.0	11.0	19.5	26.0	6.5		
20-3M-15F	20	1	19.10	18.34	23.0	13.0	19.5	26.0	6.5		
21-3M-15F	21	1	20.05	19.29	24.0	14.0	19.5	26.0	6.5		

3M - SECTION 15 continued

Part Number	Teeth	Type	R mm	S mm	Ø e mm	H mm	W mm	Y mm	Z mm	Flange	Material
22-3M-15F	22	1	21.01	20.05	25.0	14.0	19.5	26.0	6.5	With Flanges	Aluminium
24-3M-15F	24	1	22.92	22.16	27.0	14.0	19.5	26.0	6.5		
26-3M-15F	26	1	24.83	24.07	27.0	16.0	19.5	26.0	6.5		
28-3M-15F	28	1	26.74	25.98	30.0	18.0	19.5	26.0	6.5		
30-3M-15F	30	1	28.65	27.89	33.0	20.0	19.5	26.0	6.5		
32-3M-15F	32	1	30.56	29.80	33.0	22.0	19.5	26.0	6.5		
36-3M-15F	36	1	34.38	33.62	40.0	26.0	20.0	30.0	10		
40-3M-15F	40	1	38.20	37.44	46.0	28.0	20.0	30.0	10		
44-3M-15F	44	1	42.02	41.26	46.0	33.0	20.0	30.0	10		
48-3M-15	48	7	45.84	45.08	-	33.0	20.0	30.0	10	Without Flanges	Aluminium
60-3M-15	60	7	57.30	56.54	-	33.0	20.0	30.0	10		
72-3M-15	72	7	68.75	67.99	-	33.0	20.0	30.0	10		

5M - SECTION 09

Part Number	Teeth	Type	R mm	S mm	Ø e mm	U mm	W mm	H mm	Y mm	Z mm	Flange	Material
12-5M-09F	12	1	19.10	17.96	23	-	14.5	13,0	20.0	5.5	With Flanges	Steel
14-5M-09F	14	1	22.28	21.14	24	-	14.5	14,0	20.0	5.5		
15-5M-09F	15	1	23.87	22.73	27	-	14.5	16,0	20.0	5.5		
16-5M-09F	16	1	25.47	24.32	27	-	14.5	16,5	20.0	5.5		
18-5M-09F	18	1	28.65	27.51	30	-	14.5	20,0	20.0	5.5		
20-5M-09F	20	1	31.83	30.69	33	-	14.5	23,0	22.5	8.0		
21-5M-09F	21	1	33.42	32.28	36	-	14.5	24,0	22.5	8.0		
22-5M-09F	22	1	35.01	33.87	36	-	14.5	25,0	22.5	8.0		
24-5M-09F	24	1	38.19	37.06	40	-	14.5	27,0	22.5	8.0		
26-5M-09F	26	1	41.38	40.24	46	-	14.5	30,0	22.5	8.0		
28-5M-09F	28	1	44.56	43.42	50	-	14.5	30,5	22.5	8.0		
30-5M-09F	30	1	47.75	46.61	50	-	14.5	35,0	22.5	8.0		
32-5M-09F	32	1	50.93	49.79	55	-	14.5	38,0	22.5	8.0		
36-5M-09F	36	1	57.30	56.16	62	-	14.5	38,0	22.5	8.0		
40-5M-09	40	1	63.66	62.52	67	-	14.5	38,0	22.5	8.0	Without Flanges	Aluminium
44-5M-09	44	7	70.03	68.89	-	-	14.5	38,0	25.5	11.0		
48-5M-09	48	7	76.39	75.25	-	-	14.5	45.0	25.5	11.0		
60-5M-09	60	7	95.49	94.35	-	-	14.5	45.0	25.5	11.0		
72-5M-09	72	3	114.59	113.45	-	90	14.5	45.0	25.5	11.0		

5M - SECTION 15

Part Number	Teeth	Type	R mm	S mm	Ø e mm	U mm	W mm	H mm	Y mm	Z mm	Flange	Material
12-5M-15F	12	1	19.10	17.96	23	-	20.5	13.0	26.0	5.5	With Flanges	Steel
14-5M-15F	14	1	22.28	21.14	24	-	20.5	14.0	26.0	5.5		
15-5M-15F	15	1	23.87	22.73	27	-	20.5	16.0	26.0	5.5		
16-5M-15F	16	1	25.47	24.32	27	-	20.5	16.5	26.0	5.5		

5M - SECTION 15 continued

Part Number	Teeth	Type	R mm	S mm	Ø e mm	U mm	W mm	H mm	Y mm	Z mm	Flange	Material
18-5M-15F	18	1	28,65	27.51	30	-	20.5	20.0	26.0	5.5	With Flanges	Steel
20-5M-15F	20	1	31,83	30.69	33	-	20.5	23.0	26.0	5.5		
21-5M-15F	21	1	33,42	32.28	36	-	20.5	24.0	26.0	5.5		
22-5M-15F	22	1	35,01	33.87	36	-	20.5	25.5	26.0	5.5		
24-5M-15F	24	1	38.19	37.06	40	-	20.5	27.0	28.0	7.5		
26-5M-15F	26	1	41.38	40.24	46	-	20.5	30.0	28.0	7.5		
28-5M-15F	28	1	44.56	43.42	50	-	20.5	30.5	28.0	7.5		
30-5M-15F	30	1	47.75	46.61	50	-	20.5	35.0	28.0	7.5		
32-5M-15F	32	1	50.93	49.79	55	-	20.5	38.0	28.0	7.5		
36-5M-15F	36	1	57.30	56.16	62	-	20.5	38.0	28.0	7.5		
40-5M-15F	40	1	63.66	62.52	67	-	20.5	38.0	28.0	7.5		
44-5M-15	44	7	70.03	68.89	-	-	20.5	38.0	30.0	9.5	Without Flanges	Aluminium
48-5M-15	48	7	76.39	75.25	-	-	20.5	38.0	30.0	9.5		
60-5M-15	60	7	95.49	94.35	-	-	20.5	50.0	30.0	9.5		
72-5M-15	72	3	114.59	113.45	-	90	20.5	50.0	30.0	9.5		

5M - SECTION 25

Part Number	Teeth	Type	R mm	S mm	Ø e mm	U mm	W mm	H mm	Y mm	Z mm	Flange	Material
12-5M-25F	12	1	19.10	17.96	23	-	30.0	13.0	36.0	6	With Flanges	Steel
14-5M-25F	14	1	22.28	21.14	24	-	30.0	14.0	36.0	6		
15-5M-25F	15	1	23.87	22.73	27	-	30.0	16.0	36.0	6		
16-5M-25F	16	1	25.47	24.32	27	-	30.0	16.5	36.0	6		
18-5M-25F	18	1	28.65	27.51	30	-	30.0	20.0	36.0	6		
20-5M-25F	20	1	31.83	30.69	33	-	30.0	23.0	36.0	6		
21-5M-25F	21	1	33.42	32.28	36	-	30.0	24.0	38.0	8		
22-5M-25F	22	1	35.01	33.87	36	-	30.0	25.5	38.0	8		
24-5M-25F	24	1	38.19	37.06	40	-	30.0	27.0	38.0	8		
26-5M-25F	26	1	41.38	40.24	46	-	30.0	30.0	38.0	8		
28-5M-25F	28	1	44.56	43.42	50	-	30.0	30.5	38.0	8		
30-5M-25F	30	1	47.75	46.61	50	-	30.0	35.0	38.0	8		
32-5M-25F	32	1	50.93	49.79	55	-	30.0	38.0	38.0	8		
36-5M-25F	36	1	57.30	56.16	62	-	30.0	38.0	38.0	8		
40-5M-25F	40	1	63.66	62.52	67	-	30.0	38.0	38.0	8		
44-5M-25	44	7	70.03	68.89	-	-	30.0	38.0	40.0	10	Without Flanges	Aluminium
48-5M-25	48	7	76.39	75.25	-	-	30.0	38.0	40.0	10		
60-5M-25	60	7	95.49	94.35	-	-	30.0	50.0	40.0	10		
72-5M-25	72	3	114.59	113.45	-	90	30.0	50.0	40.0	10		

8M - SECTION 20

Part Number	Teeth	Type	R mm	S mm	Ø e mm	U mm	W mm	H mm	Y mm	Z mm	Ø d mm	Flange	Material
18-8M-20F	18	1	45.84	44.46	50	-	28	32	38	10	-	With Flanges	Steel
20-8M-20F	20	1	50.93	49.56	55	-	28	36	38	10	-		
22-8M-20F	22	1	56.02	54.65	62	-	28	43	38	10	-		
24-8M-20F	24	1	61.12	59.74	67	-	28	49	38	10	-		
26-8M-20F	26	1	66.21	64.84	73	-	28	50	38	10	-		
28-8M-20F	28	1	71.30	69.93	77	-	28	55	38	10	-		
30-8M-20F	30	1	76.39	75.02	84	-	28	60	38	10	-		
32-8M-20F	32	1	81.49	80.12	88	-	28	64	38	10	-		
34-8M-20F	34	1	86.58	85.21	94	-	28	70	38	10	-		
36-8M-20F	36	1	91.67	90.30	98	-	28	75	38	10	-		
38-8M-20F	38	1	96.77	95.39	104	-	28	80	38	10	-		
40-8M-20F	40	1	101.86	100.49	108	-	28	85	38	10	-		
44-8M-20F	44	1	112.05	110.67	121	-	28	96	38	10	-		
48-8M-20F	48	1	122.23	120.86	129	-	28	104	38	10	-		
56-8M-20F	56	2	142.60	141.23	149	117	28	80	38	10	-		
60-8M-20F	60	2	152.79	151.42	158	127	28	80	38	10	-		
64-8M-20F	64	2	162.97	161.60	168	137	28	80	38	10	-		
72-8M-20F	72	2	183.35	181.97	191	158	28	80	38	10	-		
80-8M-20	80	6	203.72	202.35	-	179	28	90	38	10	-		
84-8M-20	84	6	213.90	212.53	-	190	28	90	38	10	-		
90-8M-20	90	6	229.18	227.81	-	204	28	90	38	10	-		
112-8M-20	112	5	285.21	283.83	-	260	28	90	38	10	19		
144-8M-20	144	5	366.69	365.32	-	342	28	90	38	10	19		
168-8M-20	168	5	427.80	426.42	-	403	28	100	38	10	19		
192-8M-20	192	5	488.92	487.54	-	465	28	100	38	10	19		

8M - SECTION 30

Part Number	Teeth	Type	R mm	S mm	Ø e mm	U mm	W mm	H mm	Y mm	Z mm	Ø d mm	Flange	Material
18-8M-30F	18	1	45.84	44.46	50	-	38	32	48	10	-	With Flanges	Steel
20-8M-30F	20	1	50.93	49.56	55	-	38	36	48	10	-		
22-8M-30F	22	1	56.02	54.65	62	-	38	43	48	10	-		
24-8M-30F	24	1	61.12	59.74	67	-	38	49	48	10	-		
26-8M-30F	26	1	66.21	64.84	73	-	38	50	48	10	-		
28-8M-30F	28	1	71.30	69.93	77	-	38	55	48	10	-		
30-8M-30F	30	1	76.39	75.02	84	-	38	60	48	10	-		
32-8M-30F	32	1	81.49	80.12	88	-	38	64	48	10	-		
34-8M-30F	34	1	86.58	85.21	94	-	38	70	48	10	-		
36-8M-30F	36	1	91.67	90.30	98	-	38	75	48	10	-		
38-8M-30F	38	1	96.77	95.39	104	-	38	80	48	10	-		
40-8M-30F	40	1	101.86	100.49	108	-	38	85	48	10	-		
44-8M-30F	44	2	112.05	110.67	121	-	38	96	48	10	-		
48-8M-30F	48	2	122.23	120.86	129	-	38	104	48	10	-		
56-8M-30F	56	2	142.60	141.23	149	117	38	90	48	10	-		

8M - SECTION 30 continued

Part Number	Teeth	Type	R mm	S mm	Ø e mm	U mm	W mm	H mm	Y mm	Z mm	Ø d mm	Flange	Material
60-8M-30	60	2	152.79	151.42	158	127	38	90	48	10	-	Without Flanges	Cast Iron
64-8M-30	64	2	162.97	161.60	168	137	38	90	48	10	-		
72-8M-30	72	2	183.35	181.97	191	158	38	95	48	10	-		
80-8M-30	80	6	203.72	202.35	-	179	38	100	48	10	-		
84-8M-30	84	6	213.90	212.53	-	190	38	100	48	10	-		
90-8M-30	90	6	229.18	227.81	-	204	38	100	48	10	-		
112-8M-30	112	5	285.21	283.83	-	260	38	100	48	10	19		
144-8M-30	144	5	366.69	365.32	-	342	38	100	48	10	19		
168-8M-30	168	5	427.80	426.42	-	403	38	100	48	10	19		
192-8M-30	192	5	488.92	487.54	-	465	38	100	48	10	19		

8M - SECTION 50

Part Number	Teeth	Type	R mm	S mm	Ø e mm	U mm	W mm	H mm	Y mm	Z mm	Ø d mm	Flange	Material
18-8M-50F	18	1	45.84	44.46	50	-	60	32	70	10	-	With Flanges	Steel
20-8M-50F	20	1	50.93	49.56	55	-	60	36	70	10	-		
22-8M-50F	22	1	56.02	54.65	62	-	60	43	70	10	-		
24-8M-50F	24	1	61.12	59.74	67	-	60	49	70	10	-		
26-8M-50F	26	1	66.21	64.84	73	-	60	50	70	10	-		
28-8M-50F	28	1	71.30	69.93	77	-	60	55	70	10	-		
30-8M-50F	30	1	76.39	75.02	84	-	60	60	70	10	-		
32-8M-50F	32	1	81.49	80.12	88	-	60	64	70	10	-		
34-8M-50F	34	1	86.58	85.21	94	-	60	70	70	10	-		
36-8M-50F	36	1	91.67	90.30	98	-	60	75	70	10	-		
38-8M-50F	38	1	96.77	95.39	104	-	60	80	70	10	-		
40-8M-50F	40	1	101.86	100.49	108	-	60	85	70	10	-		
44-8M 50F	44	1	112.05	110.67	121	-	60	96	70	10	-		
48-8M 50F	48	1	122.23	120.86	129	-	60	104	70	10	-		
56-8M 50F	56	8	142.60	141.23	149	117	60	90	60	-	-		
60-8M 50F	60	8	152.79	151.42	158	127	60	100	60	-	-		
64-8M-50F	64	8	162.97	161.60	168	137	60	100	60	-	-		
72-8M-50F	72	8	183.35	181.97	191	158	60	100	60	-	-		
80-8M-50	80	9	203.72	202.35	-	179	60	110	60	-	-	Without Flanges	Cast Iron
84-8M-50	84	10	213.90	212.53	-	190	60	110	60	-	-		
90-8M-50	90	10	229.18	227.81	-	204	60	110	60	-	-		
112-8M-50	112	11	285.21	283.83	-	260	60	110	60	-	19		
144-8M-50	144	11	366.69	365.32	-	342	60	110	60	-	19		
168-8M-50	168	11	427.80	426.42	-	403	60	120	60	-	19		
192-8M-50	192	11	488.92	487.54	-	465	60	130	60	-	19		

8M - SECTION 85

Part Number	Teeth	Type	R mm	S mm	Ø e mm	U mm	W mm	H mm	Y mm	Z mm	Ø d mm	Flange	Material
22-8M-85F	22	1	56.02	54.65	62	-	95	43	105	10	-	With Flanges	Steel
24-8M-85F	24	1	61.12	59.74	67	-	95	49	105	10	-		
26-8M-85F	26	1	66.21	64.84	73	-	95	50	105	10	-		
28-8M-85F	28	1	71.30	69.93	77	-	95	55	105	10	-		
30-8M-85F	30	1	76.39	75.02	84	-	95	60	105	10	-		
32-8M-85F	32	1	81.49	80.12	88	-	95	64	105	10	-		
34-8M-85F	34	1	86.58	85.21	94	-	95	70	105	10	-		
36-8M-85F	36	1	91.67	90.30	98	-	95	75	105	10	-		
38-8M-85F	38	1	96.77	95.39	104	-	95	80	105	10	-		
40-8M-85F	40	1	101.86	100.49	108	-	95	85	105	10	-		
44-8M-85F	44	1	112.05	110.67	121	-	95	96	105	10	-		
48-8M-85F	48	1	122.23	120.86	129	-	95	104	105	10	-		
56-8M-85F	56	1	142.60	141.23	149	-	95	107	105	10	-		
60-8M-85F	60	1	152.79	151.42	158	-	95	132	105	10	-		
64-8M-85F	64	8	162.97	161.60	168	137	95	100	95	-	-		
72-8M-85F	72	8	183.35	181.97	191	158	95	110	95	-	-		
80-8M-85	80	9	203.72	202.35	-	179	95	110	95	-	-		
84-8M-85	84	9	213.90	212.53	-	190	95	110	95	-	-		
90-8M-85	90	10	229.18	227.81	-	204	95	110	95	-	-		
112-8M-85	112	11	285.21	283.83	-	260	95	110	95	-	19		
144-8M-85	144	11	366.69	365.32	-	342	95	120	95	-	19		
168-8M-85	168	11	427.80	426.42	-	403	95	120	95	-	19		
192-8M-85	192	11	488.92	487.54	-	465	95	130	95	-	19		
												Without Flanges	Cast Iron

14M - SECTION 40

Part Number	Teeth	Type	R mm	S mm	Ø e mm	U mm	W mm	H mm	Y mm	Z mm	Ø d mm	Flange	Material
28-14M-40F	28	1	124.78	122.12	134	-	54	100	69	15	-	With Flanges	Cast Iron
29-14M-40F	29	1	129.23	126.57	134	-	54	107	69	15	-		
30-14M-40F	30	1	133.69	130.99	142	-	54	107	69	15	-		
32-14M-40F	32	1	142.60	139.88	150	-	54	114	69	15	-		
34-14M-40F	34	1	151.51	148.79	158	-	54	122	69	15	-		
36-14M-40F	36	1	160.43	157.68	166	-	54	128	69	15	-		
38-14M-40F	38	1	169.34	166.60	177	-	54	141	69	15	-		
40-14M-40F	40	1	178.25	175.49	186	-	54	148	69	15	-		
44-14M-40F	44	2	196.08	193.28	209	154	54	120	69	15	-		
48-14M-40F	48	2	213.90	211.11	216	172	54	135	69	15	-		
56-14M-40F	56	2	249.56	246.76	261	207	54	135	69	15	-		
60-14M-40F	60	2	267.38	264.59	274	225	54	135	69	15	-		
64-14M-40F	64	2	285.21	282.41	288	243	54	135	69	15	-		
72-14M-40	72	5	320.86	318.06	-	279	54	135	69	15	19		
80-14M-40	80	5	356.51	353.71	-	314	54	135	69	15	19		
84-14M-40	84	5	374.33	371.54	-	332	54	135	69	15	19		
90-14M-40	90	5	401.07	398.28	-	359	54	135	69	15	19		
112-14M-40	112	5	499.11	496.32	-	457	54	135	69	15	19		
144-14M-40	144	5	641.71	638.92	-	600	54	135	69	15	19		
												Without Flanges	Cast Iron

14M - SECTION 55

Part Number	Teeth	Type	R mm	S mm	Ø e mm	U mm	W mm	H mm	Y mm	Z mm	Ø d mm	Flange	Material	
28-14M-55F	28	1	124.78	122.12	134	-	70	107	85	15	-	With Flanges	Cast Iron	
29-14M-55F	29	1	129.23	126.57	134	-	70	107	85	15	-			
30-14M-55F	30	1	133.69	130.99	142	-	70	107	85	15	-			
32-14M-55F	32	1	142.60	139.88	150	-	70	114	85	15	-			
34-14M-55F	34	1	151.51	148.79	158	-	70	122	85	15	-			
36-14M-55F	36	1	160.43	157.68	166	-	70	128	85	15	-			
38-14M-55F	38	1	169.34	166.60	177	-	70	141	85	15	-			
40-14M-55F	40	1	178.25	175.49	186	-	70	148	85	15	-			
44-14M-55F	44	2	196.08	193.28	209	154	70	120	85	15	-			
48-14M-55F	48	8	213.90	211.11	216	172	70	135	70	-	-			
56-14M-55F	56	8	249.56	246.76	261	207	70	135	70	-	-			
60-14M-55F	60	8	267.38	264.59	274	225	70	135	70	-	-			
64-14M-55F	64	8	285.21	282.41	288	243	70	135	70	-	-			
72-14M-55	72	11	320.86	318.06	-	279	70	135	70	-	19	With Flanges		Cast Iron
80-14M-55	80	11	356.51	353.71	-	314	70	135	70	-	19			
84-14M-55	84	11	374.33	371.54	-	332	70	135	70	-	19			
90-14M-55	90	11	401.07	398.28	-	359	70	135	70	-	19			
112-14M-55	112	11	499.11	496.32	-	457	70	135	70	-	19			
144-14M-55	144	11	641.71	638.92	-	600	70	135	70	-	19			

14M - SECTION 85

Part Number	Teeth	Type	R mm	S mm	Ø e mm	U mm	W mm	H mm	Y mm	Z mm	Ø d mm	Flange	Material	
28-14M-85F	28	1	124.78	122.12	134	-	102	100	117	15	-	With Flanges	Cast Iron	
29-14M-85F	29	1	129.23	126.57	134	-	102	107	117	15	-			
30-14M-85F	30	1	133.69	130.99	142	-	102	107	117	15	-			
32-14M-85F	32	1	142.60	139.88	150	-	102	114	117	15	-			
34-14M-85F	34	1	151.51	148.79	158	-	102	122	117	15	-			
36-14M-85F	36	1	160.43	157.68	166	-	102	128	117	15	-			
38-14M-85F	38	1	169.34	166.60	177	-	102	141	117	15	-			
40-14M-85F	40	1	178.25	175.49	186	-	102	148	117	15	-			
44-14M-85F	44	1	196.08	193.28	209	-	102	169	117	15	-			
48-14M-85F	48	1	213.90	211.11	216	-	102	186	117	15	-			
56-14M-85F	56	8	249.56	246.76	261	207	102	150	102	-	-			
60-14M-85F	60	8	267.38	264.59	274	225	102	150	102	-	-			
64-14M-85F	64	8	285.21	282.41	288	243	102	150	102	-	-			
72-14M-85	72	11	320.86	318.06	-	279	102	150	102	-	19	With Flanges		Cast Iron
80-14M-85	80	11	356.51	353.71	-	314	102	150	102	-	19			
84-14M-85	84	11	374.33	371.54	-	332	102	150	102	-	19			
90-14M-85	90	11	401.07	398.28	-	359	102	150	102	-	19			
112-14M-85	112	11	499.11	496.32	-	457	102	150	102	-	19			
144-14M-85	144	11	641.71	638.92	-	600	102	150	102	-	19			

14M - SECTION 115

Part Number	Teeth	Type	R mm	S mm	Ø e mm	U mm	W mm	H mm	Y mm	Z mm	Ø d mm	Flange	Material	
28-14M-115F	29	1	124.78	122.12	134	-	133	100	148	15	-	With Flanges	Cast Iron	
29-14M-115F	29	1	129.23	126.57	134	-	133	107	148	15	-			
30-14M-115F	30	1	133.69	130.99	142	-	133	107	148	15	-			
32-14M-115F	32	1	142.60	139.88	150	-	133	114	148	15	-			
34-14M-115F	34	1	151.51	148.79	158	-	133	122	148	15	-			
36-14M-115F	36	1	160.43	157.68	166	-	133	128	148	15	-			
38-14M-115F	38	1	169.34	166.60	177	-	133	141	148	15	-			
40-14M-115F	40	1	178.25	175.49	186	-	133	148	148	15	-			
44-14M-115F	44	1	196.08	193.28	209	-	133	169	148	15	-			
48-14M-115F	48	1	213.90	211.11	216	-	133	186	148	15	-			
56-14M-115F	56	2	249.56	246.76	261	207	133	150	148	-	-			
60-14M-115F	60	8	267.38	264.59	274	225	133	150	133	-	-			
64-14M-115F	64	8	285.21	282.41	288	243	133	150	133	-	-			
72-14M-115	72	11	320.86	318.06	-	279	133	150	133	-	19			Without Flanges
80-14M-115	80	11	356.51	353.71	-	314	133	150	133	-	19			
84-14M-115	84	11	374.33	371.54	-	332	133	150	133	-	19			
90-14M-115	90	11	401.07	398.28	-	359	133	150	133	-	19			
112-14M-115	112	11	499.11	496.32	-	457	133	150	133	-	19			
144-14M-115	144	11	641.71	638.92	-	600	133	150	133	-	19			

14M - SECTION 170

Part Number	Teeth	Type	R mm	S mm	Ø e mm	U mm	W mm	H mm	Y mm	Z mm	Ø d mm	Flange	Material	
28-14M-170F	28	1	124.78	122.12	134	-	187	100	202	15	-	With Flanges	Cast Iron	
29-14M-170F	29	1	129.23	126.57	134	-	187	107	202	15	-			
30-14M-170F	30	1	133.69	130.99	142	-	187	107	202	15	-			
32-14M-170F	32	1	142.60	139.88	150	-	187	114	202	15	-			
34-14M-170F	34	1	151.51	148.79	158	-	187	122	202	15	-			
36-14M-170F	36	1	160.43	157.68	166	-	187	128	202	15	-			
38-14M-170F	38	1	169.34	166.60	177	-	187	141	202	15	-			
40-14M-170F	40	1	178.25	175.49	186	-	187	148	202	15	-			
44-14M-170F	44	1	196.08	193.28	209	-	187	169	202	15	-			
48-14M-170F	48	1	213.90	211.11	216	-	187	186	202	15	-			
56-14M-170F	56	2	249.56	246.76	261	207	187	160	202	-	-			
60-14M-170F	60	2	267.38	264.59	274	225	187	160	202	-	-			
64-14M-170F	64	2	285.21	282.41	288	243	187	180	202	-	-			
72-14M-170	72	12	320.86	318.06	-	279	187	180	187	-	19			Without Flanges
80-14M-170	80	12	356.51	353.71	-	314	187	180	187	-	19			
84-14M-170	84	11	374.33	371.54	-	332	187	180	187	-	19			
90-14M-170	90	11	401.07	398.28	-	359	187	180	187	-	19			
112-14M-170	112	11	499.11	496.32	-	457	187	200	187	-	19			
144-14M-170	144	11	641.71	638.92	-	600	187	220	187	-	19			



TIMING PULLEYS



TIMING PULLEYS TAPER BORE (IMPERIAL)

Description

Dunlop imperial timing belt pulleys are manufactured from either C45 steel with black oxide surface treatment, cast iron EN-GJL-200 and black phosphate or aluminium 6082. Pulley flanges are produced from S235JR steel.

Imperial timing belt pulleys are available to suit all pitch sizes, XL, L, H & XH and are available from stock in both taper and pilot bore options.

Part numbers are identified by a 2 or 3 digit number (e.g. 44) which represents the number of teeth, one or two letters (e.g. XL) the pulleys pitch and a 3 digit number (e.g. 037) the width of the appropriate corresponding timing belt, for example 44-XL-037.

L - SECTION 050

Part Number	Type	Bushing		R Ø	S Ø	U Ø	e Ø	W	H Ø	Y	Z	Flange	Material
		Type	Max Bore										
18L050F	1	1108	28	54.57	53.81	-	62	19	47	22	3	With Flanges	Cast Iron
19L050F	1	1108	28	57.61	56.84	-	62	19	47	22	3		
20L050F	1	1108	28	60.64	59.88	-	67	19	48	22	3		
21L050F	1	1108	28	63.67	62.91	-	67	19	48	22	3		
22L050F	1	1108	28	66.70	65.94	-	73	19	51	22	3		
23L050F	1	1108	28	69.73	68.97	-	73	19	51	22	3		
24L050F	1	1108	28	72.77	72.01	-	80	19	58	22	3		
25L050F	1	1108	28	75.80	75.04	-	80	19	58	22	3		
26L050F	1	1108	28	78.83	78.07	-	88	19	58	22	3		
27L050F	1	1108	28	81.86	81.10	-	88	19	58	22	3		
28L050F	1	1108	28	84.89	84.13	-	94	19	58	22	3		
29L050F	1	1108	28	87.93	87.16	-	94	19	58	22	3		
30L050F	1	1108	28	90.96	90.20	-	98	19	58	22	3		
32L050F	1	1108	28	97.02	96.26	-	100	19	58	22	3		
33L050F	1	1108	28	100.05	99.29	-	108	19	58	22	3		
34L050F	1	1108	28	103.08	102.32	-	108	19	58	22	3		
35L050F	6	1108	28	106.12	105.35	84	113	19	58	22	3		
36L050F	6	1108	28	109.15	108.39	84	113	19	58	22	3		
40L050F	1	1610	42	121.28	120.52	-	129	19	90	25	6		
41L050F	1	1610	42	124.31	123.55	-	129	19	90	25	6		
42L050F	6	1610	42	127,34	126,58	110	137	19	90	25	6		
44L050F	6	1610	42	133,40	132,64	110	142	19	90	25	6		
45L050F	6	1610	42	136,44	135,67	118	142	19	90	25	6		
47L050F	6	1610	42	142,50	141,74	126	149	19	90	25	6		
48L050F	6	1610	42	145,53	144,77	126	151	19	90	25	6		
49L050	9	1610	42	148,56	147,80	132	-	19	90	25	6		
50L050	9	1610	42	151,60	150,83	132	-	19	90	25	6		
52L050	9	1610	42	157,66	156,90	138	-	19	90	25	6		
56L050	9	1610	42	169,79	169,02	152	-	19	90	25	6		
57L050	9	1610	42	172,82	172,06	152	-	19	90	25	6		
60L050	16	1610	42	181,91	181,15	162	-	19	90	25	3		
65L050	13	1610	42	197,07	196,31	178	-	19	90	25	3		
66L050	13	1610	42	200,11	199,34	178	-	19	90	25	3		
72L050	13	1610	42	218,30	217,54	199	-	19	90	25	3		
84L050	13	1610	42	254,68	253,92	235	-	19	90	25	3		

L - SECTION 050 continued

Part Number	Type	Bushing		R Ø	S Ø	U Ø	e Ø	W	H Ø	Y	Z	Flange	Material
		Type	Max Bore										
90L050	13	1610	42	272,87	272,11	253	-	19	90	25	3	Without Flanges	Cast Iron
96L050	13	2012	50	291,06	290,30	270	-	19	110	32	6,5		
120L050	13	2012	50	363,83	363,07	344	-	19	110	32	6,5		

L - SECTION 075

Part Number	Type	Bushing		R Ø	S Ø	U Ø	e Ø	W	H Ø	Y	Z	Flange	Material
		Type	Max Bore										
18L075F	4	1108	28	54,57	53,81	38	62	25	-	22	3	With Flanges	Cast Iron
19L075F	4	1108	28	57,61	56,84	38	62	25	-	22	3		
20L075F	4	1108	28	60,64	59,88	46	67	25	-	22	3		
21L075F	4	1108	28	63,67	62,91	46	67	25	-	22	3		
22L075F	4	1108	28	68,70	65,94	46	73	25	-	22	3		
23L075F	4	1108	28	69,73	68,97	46	73	25	-	22	3		
24L075F	4	1108	28	72,77	72,01	53	80	25	-	22	3		
25L075F	4	1108	28	75,80	75,04	53	80	25	-	22	3		
26L075F	4	1108	28	78,83	78,07	60	88	25	-	22	3		
27L075F	4	1108	28	81,86	81,10	60	88	25	-	22	3		
28L075F	4	1108	28	84,89	84,13	65	94	25	-	22	3		
29L075F	4	1108	28	87,93	87,16	65	94	25	-	22	3		
30L075F	4	1108	28	90,96	90,20	68	98	25	-	22	3		
32L075F	4	1108	28	97,02	96,26	76	100	25	-	22	3		
33L075F	4	1108	28	100,05	99,29	83	108	25	-	22	3		
34L075F	4	1108	28	103,08	102,32	85	108	25	-	22	3		
35L075F	2	1610	42	106,12	105,35	-	113	25	-	25	-		
36L075F	2	1610	42	109,15	108,39	-	113	25	-	25	-		
40L075F	2	1610	42	121,28	120,52	-	129	25	-	25	-		
41L075F	2	1610	42	124,31	123,55	-	129	25	-	25	-		
42L075F	7	1610	42	127,34	126,58	110	137	25	90	25	-		
44L075F	7	1610	42	133,40	132,64	110	142	25	90	25	-		
45L075F	7	1610	42	136,44	135,67	118	142	25	90	25	-		
47L075F	7	1610	42	142,50	141,74	126	149	25	90	25	-		
48L075F	7	1610	42	145,53	144,77	126	151	25	90	25	-		
49L075	10	1610	42	148,56	147,80	132	-	25	90	25	-		
50L075	10	1610	42	151,60	150,83	132	-	25	90	25	-		
52L075	10	1610	42	157,66	156,90	138	-	25	90	25	-		
56L075	10	1610	42	169,79	169,02	152	-	25	90	25	-		
57L075	10	1610	42	172,82	172,06	152	-	25	90	25	-		
60L075	10	1610	42	181,91	181,15	162	-	25	90	25	-		
65L075	10	1610	42	197,07	196,31	178	-	25	90	25	-		
66L075	10	1610	42	200,11	199,34	178	-	25	90	25	-		
72L075	14	1610	42	218,30	217,54	199	-	25	90	25	-		
84L075	13	2012	50	254,68	253,92	235	-	25	110	32	3,5		
90L075	13	2012	50	272,87	272,11	253	-	25	110	32	3,5		
96L075	13	2012	50	291,06	290,30	270	-	25	110	32	3,5		
120L075	13	2012	50	363,83	363,07	344	-	25	110	32	3,5		

L - SECTION 100

Part Number	Type	Bushing		R Ø	S Ø	U Ø	e Ø	W	H Ø	Y	Z	Flange	Material
		Type	Max Bore										
18L100F	4	1108	28	54,57	53,81	38	62	32	-	22	10	With Flanges	Cast Iron
19L100F	4	1108	28	57,61	56,84	38	62	32	-	22	10		
20L100F	4	1108	28	60,64	59,88	46	67	32	-	22	10		
21L100F	4	1108	28	63,67	62,91	46	67	32	-	22	10		
22L100F	4	1108	28	66,70	65,94	46	73	32	-	22	10		
23L100F	4	1108	28	69,73	68,97	46	73	32	-	22	10		
24L100F	4	1108	28	72,77	72,01	53	80	32	-	22	10		
25L100F	4	1108	28	75,80	75,04	53	80	32	-	22	10		
26L100F	4	1108	28	78,83	78,07	60	88	32	-	22	10		
27L100F	4	1108	28	81,86	81,10	60	88	32	-	22	10		
28L100F	4	1108	28	84,89	84,13	65	94	32	-	22	10		
29L100F	4	1210	32	87,93	87,16	68	94	32	-	25	7		
30L100F	4	1210	32	90,96	90,20	68	98	32	-	25	7		
32L100F	4	1210	32	97,02	96,26	76	100	32	-	25	7		
33L100F	4	1610	42	100,05	99,29	83	108	32	-	25	7		
34L100F	4	1610	42	103,08	103,32	85	108	32	-	25	7		
35L100F	4	1610	42	106,12	105,35	85	113	32	-	25	7		
36L100F	4	1610	42	109,15	108,39	85	113	32	-	25	7		
40L100F	4	1610	42	121,28	120,52	100	129	32	-	25	7		
41L100F	4	1610	42	124,31	123,55	100	129	32	-	25	7		
42L100F	8	1610	42	127,34	126,58	110	137	32	90	25	7		
44L100F	8	1610	42	133,40	132,64	110	142	32	90	25	7		
45L100F	8	1610	42	136,44	135,67	118	142	32	90	25	7		
47L100F	8	1610	42	142,50	141,74	126	149	32	90	25	7		
48L100F	8	1610	42	145,53	144,77	126	151	32	90	25	7		
49L100	11	1610	42	148,56	147,80	132	-	32	90	25	7		
50L100	11	1610	42	151,60	150,83	132	-	32	90	25	7		
52L100	11	1610	42	157,66	156,90	138	-	32	90	25	7		
56L100	11	1610	42	169,79	169,02	152	-	32	90	25	7		
57L100	11	1610	42	172,82	172,06	152	-	32	90	25	7		
60L100	12	1610	42	181,91	181,15	162	-	32	90	25	3.5		
65L100	12	1610	42	197,07	196,31	178	-	32	90	25	3.5		
66L100	12	1610	42	200,11	199,34	178	-	32	90	25	3.5		
72L100	10	2012	50	218,30	217,54	199	-	32	110	32	-		
84L100	14	2012	50	254,68	253,92	235	-	32	110	32	-		
90L100	14	2012	50	272,87	272,11	253	-	32	110	32	-		
96L100	14	2012	50	291,06	290,30	270	-	32	110	32	-		
120L100	14	2012	50	363,83	363,07	344	-	32	110	32	-		

H - SECTION 100

Part Number	Type	Bushing		R Ø	S Ø	U Ø	e Ø	W	H Ø	Y	Z	Flange	Material
		Type	Max Bore										
14H100F	4	1108	28	56,60	55,23	37	62	31	-	22	9	With Flanges	Cast Iron
15H100F	4	1108	28	60,64	59,27	37	67	31	-	22	9		
16H100F	4	1108	28	64,68	63,31	46	67	31	-	22	9		

H SECTION 100 continued

Part Number	Type	Bushing		R Ø	S Ø	U Ø	e Ø	W	H Ø	Y	Z	Flange	Material
		Type	Max Bore										
17H100F	4	1210	32	68.72	67.35	46	77	31	-	25	6	With Flanges	Cast Iron
18H100F	4	1210	32	72.77	71.40	56	80	31	-	25	6		
19H100F	4	1210	32	76.81	75.44	56	84	31	-	25	6		
20H100F	4	1210	32	80.85	79.48	56	88	31	-	25	6		
21H100F	4	1210	32	84.89	83.52	62	94	32	-	25	7		
22H100F	4	1210	32	88.94	87.57	62	94	32	-	25	7		
23H100F	4	1610	42	92.98	91.61	71	98	32	-	25	7		
24H100F	4	1610	42	97.02	95.65	71	104	32	-	25	7		
25H100F	4	1610	42	101.06	99.69	78	104	32	-	25	7		
26H100F	4	1610	42	105.11	103.74	78	108	32	-	25	7		
27H100F	4	1610	42	109.15	107.78	86	113	32	-	25	7		
28H100F	4	1610	42	113.19	111.92	86	118	32	-	25	7		
29H100F	4	1610	42	117.23	115.86	95	121	32	-	25	7		
30H100F	4	1610	42	121.28	119.91	95	129	32	-	25	7		
32H100F	8	1610	42	129.36	127.99	110	137	32	82	25	7		
33H100F	8	1610	42	133.40	132.03	112	137	32	82	25	7		
34H100F	8	1610	42	137.45	136.08	112	142	32	82	25	7		
35H100F	8	1610	42	141.49	140.12	120	145	32	82	25	7		
36H100F	8	1610	42	145.53	144.16	120	151	32	82	25	7		
38H100F	8	1610	42	153.62	152.25	136	158	32	82	25	7		
40H100F	8	1610	42	161.70	160.33	136	168	32	82	25	7		
44H100F	7	2012	50	177.87	176.50	162	191	32	110	32	-		
45H100F	7	2012	50	181.91	180.54	162	189	32	110	32	-		
48H100F	7	2012	50	194.04	192.67	168	199	32	110	32	-		
49H100	12	2012	50	198.08	196.71	172	-	34	110	32	1		
50H100	12	2012	50	202.13	200.76	172	-	34	110	32	1		
52H100	12	2012	50	210.21	208.84	185	-	34	110	32	1		
60H100	12	2012	50	242.55	241.18	217	-	34	110	32	1		
70H100	15	2012	50	282.98	281.61	264	-	34	110	32	1		
72H100	15	2012	50	291.06	289.69	264	-	34	110	32	1		
82H100	15	2012	50	331.49	330.12	312	-	34	110	32	1		
84H100	15	2012	50	339.57	338.20	312	-	34	110	32	1		
94H100	13	2517	65	380.00	378.63	357	-	34	120	45	5.5		
96H100	13	2517	65	388.08	386.71	357	-	34	120	45	5.5		
106H100	13	2517	65	428.51	427.14	402	-	34	120	45	5.5		
116H100	13	2517	65	468.93	467.56	442	-	34	120	45	5.5		
118H100	13	2517	65	477.02	475.65	457	-	34	120	45	5.5		
120H100	13	2517	65	485.10	483.73	457	-	34	120	45	5.5		

H SECTION 150

Part Number	Type	Bushing		R Ø	S Ø	U Ø	e Ø	W	H Ø	Y	Z	Flange	Material
		Type	Max Bore										
14H150F	4	1108	28	56.60	55.23	37	62	45	-	22	23	With Flanges	Cast Iron
15H150F	4	1108	28	60.64	59.27	37	67	45	-	22	23		
16H150F	4	1108	28	64.68	63.31	46	67	45	-	22	23		

H SECTION 150 continued

Part Number	Type	Bushing		R Ø	S Ø	U Ø	e Ø	W	H Ø	Y	Z	Flange	Material
		Type	Max Bore										
17H150F	4	1210	32	68.72	67.35	46	77	45	-	25	20	With Flanges	Cast Iron
18H150F	4	1210	32	72.77	71.40	56	80	45	-	25	20		
19H150F	4	1210	32	76.81	75.44	56	84	45	-	25	20		
20H150F	4	1210	32	80.85	79.48	56	88	45	-	25	20		
21H150F	4	1210	32	84.89	83.52	62	94	45	-	25	20		
22H150F	4	1210	32	88.94	87.57	62	94	45	-	25	20		
23H150F	4	1610	42	92.98	91.61	71	98	45	-	25	20		
24H150F	4	1610	42	97.02	95.65	71	104	45	-	25	20		
25H150F	4	1610	42	101.06	99.69	78	104	45	-	25	20		
26H150F	4	1610	42	105.11	103.74	78	108	45	-	25	20		
27H150F	4	1610	42	109.15	107.78	86	113	45	-	25	20		
28H150F	4	1610	42	113.19	111.92	86	118	45	-	25	20		
29H150F	4	1610	42	117.23	115.86	95	121	45	-	25	20		
30H150F	4	1610	42	121.28	119.91	95	129	45	-	25	20		
32H150F	8	1610	42	129.36	127.99	110	137	45	82	25	20		
33H150F	8	1610	42	133.40	132.03	112	137	45	82	25	20		
34H150F	8	1610	42	137.45	136.08	112	142	45	82	25	20		
35H150F	8	1610	42	141.49	140.12	120	145	45	82	25	20		
36H150F	8	1610	42	145.53	144.16	120	151	45	82	25	20		
38H150F	8	1610	42	153.62	152.25	136	158	45	82	25	20		
40H150F	8	1610	42	161.70	160.33	136	168	45	82	25	20		
44H150F	8	2012	50	177.87	176.50	162	191	45	110	32	13		
45H150F	8	2012	50	181.91	180.54	162	189	45	110	32	13		
48H150F	8	2012	50	194.04	192.67	168	199	45	110	32	3		
49H150	2	2012	50	198.08	196.71	172	-	46	110	32	7		
50H150	12	2012	50	202.13	200.76	172	-	46	110	32	7		
52H150	12	2012	50	210.21	208.84	185	-	46	110	32	7		
60H150	15	2012	50	242.55	241.18	217	-	46	110	32	7		
70H150	15	2012	50	282.98	281.61	264	-	46	110	32	7		
72H150	15	2012	50	291.06	289.69	264	-	46	110	32	7		
82H150	15	2012	50	331.49	330.12	312	-	46	110	32	7		
84H150	15	2012	50	339.57	338.20	312	-	46	110	32	7		
94H150	15	2517	65	380.00	378.63	357	-	46	120	45	0.5		
96H150	15	2517	65	388.08	386.71	357	-	46	120	45	0.5		
106H150	15	2517	65	428.51	427.14	402	-	46	120	45	0.5		
116H150	15	2517	65	468.93	467.56	442	-	46	120	45	0.5		
118H150	15	2517	65	477.02	475.65	457	-	46	120	45	0.5		
120H150	15	2517	65	485.10	483.73	457	-	46	120	45	0.5		
												Without Flanges	Cast Iron

H SECTION 200

Part Number	Type	Bushing		R Ø	S Ø	U Ø	e Ø	W	H Ø	Y	Z	Flange	Material
		Type	Max Bore										
16H200F	4	1108	28	64,68	63,31	46	67	58	-	22	36	With Flanges	Cast Iron
17H200F	4	1210	32	68,72	67,35	52	77	58	-	25	33		
18H200F	4	1210	32	72,77	71,40	52	80	58	-	25	33		

H SECTION 200 continued

Part Number	Type	Bushing		R Ø	S Ø	U Ø	e Ø	W	H Ø	Y	Z	Flange	Material
		Type	Max Bore										
19H200F	4	1610	42	76,81	75,44	56	84	58	-	22	33	With Flanges	Cast Iron
20H200F	4	1610	42	80,85	79,48	56	88	58	-	25	33		
21H200F	4	1610	42	84,89	83,52	62	94	58	-	25	33		
22H200F	4	1610	42	88,94	87,57	62	94	58	-	25	33		
23H200F	4	1610	42	92,98	91,61	71	98	58	-	25	33		
24H200F	4	1610	42	97,02	95,65	71	104	58	-	25	33		
25H200F	4	1610	42	101,06	99,69	78	104	58	-	25	33		
26H200F	4	1610	42	105,11	103,74	78	108	58	-	25	33		
27H200F	4	1610	42	109,15	107,78	86	113	58	-	25	33		
28H200F	4	1610	42	113,19	111,92	86	118	58	-	25	33		
29H200F	4	1610	42	117,23	115,86	95	121	58	-	25	33		
30H200F	4	1610	42	121,28	119,91	95	129	58	-	25	33		
32H200F	4	2012	50	129,36	127,99	110	137	58	-	32	26		
33H200F	4	2012	50	133,40	132,03	112	137	58	-	32	26		
34H200F	4	2012	50	137,45	136,08	112	142	58	-	32	26		
35H200F	8	2012	50	141,49	140,12	120	145	58	102	32	26		
36H200F	8	2012	50	145,53	144,16	120	151	58	102	32	26		
38H200F	8	2012	50	153,62	152,25	136	158	58	110	32	26		
40H200F	8	2012	50	161,70	160,33	136	168	58	110	32	26		
44H200F	8	2012	50	177,87	176,50	162	191	58	110	32	26		
45H200F	8	2012	50	181,91	180,54	162	189	58	110	32	26		
48H200F	8	2517	65	194,04	192,67	168	199	58	120	45	13		
49H200	12	2517	65	198,08	196,71	172	-	60	120	45	7.5		
50H200	12	2517	65	202,13	200,76	172	-	60	120	45	7.5		
52H200	12	2517	65	210,21	208,84	185	-	60	120	45	7.5		
60H200	15	2517	65	242,55	241,18	217	-	60	120	45	7.5		
70H200	15	2517	65	282,98	281,61	264	-	60	120	45	7.5		
72H200	15	2517	65	291,06	289,69	264	-	60	120	45	7.5		
82H200	15	2517	65	331,49	330,12	312	-	60	120	45	7.5		
84H200	15	2517	65	339,57	338,20	312	-	60	120	45	7.5		
94H200	15	2517	65	380,00	378,63	357	-	60	120	45	7.5		
96H200	15	2517	65	388,08	386,71	357	-	60	120	45	7.5		
106H200	15	2517	65	428,51	427,14	402	-	60	120	45	7.5		
116H200	15	2517	65	468,93	467,56	442	-	60	120	45	7.5		
118H200	15	2517	65	477,02	475,65	457	-	60	120	45	7.5		
120H200	15	2517	65	485,10	483,73	457	-	60	120	45	7.5		

H SECTION 300

Part Number	Type	Bushing		R Ø	S Ø	U Ø	e Ø	W	H Ø	Y	Z	Flange	Material
		Type	Max Bore										
19H300F	3	1215	32	76,81	75,44	56	84	84	-	38	23	With Flanges	Cast Iron
20H300F	3	1615	42	80,85	79,48	56	88	84	-	38	23		
21H300F	3	1615	42	84,89	83,52	62	94	84	-	38	23		
22H300F	3	1615	42	88,94	87,57	62	94	84	-	38	23		
23H300F	3	1615	42	92,98	91,61	71	98	84	-	38	23		

H SECTION 300 continued

Part Number	Type	Bushing Type	Bushing Max Bore	R Ø	S Ø	U Ø	e Ø	W	H Ø	Y	Z	Flange	Material	
24H300F	3	1615	42	97,02	95,65	71	104	84	-	38	23	With Flanges	Cast Iron	
25H300F	3	1615	42	101,06	99,69	78	104	84	-	38	23			
26H300F	3	1615	42	105,11	103,74	78	108	84	-	38	23			
27H300F	3	2012	50	109,15	107,78	86	113	84	-	32	26			
28H300F	3	2012	50	113,19	111,92	86	118	84	-	32	26			
29H300F	3	2012	50	117,23	115,86	95	121	84	-	32	26			
30H300F	3	2012	50	121,28	119,91	95	129	84	-	32	26			
32H300F	3	2517	65	129,36	127,99	110	137	84	-	45	19,5			
33H300F	3	2517	65	133,40	132,03	112	137	84	-	45	19,5			
34H300F	3	2517	65	137,45	136,08	112	142	84	-	45	19,5			
35H300F	3	2517	65	141,49	140,12	120	145	84	-	45	19,5			
36H300F	3	2517	65	145,53	144,16	120	151	84	-	45	19,5			
38H300F	5	2517	65	153,62	152,25	136	158	84	120	45	19,5			
40H300F	5	2517	65	161,70	160,33	136	168	84	120	45	19,5			
44H300F	5	2517	65	177,87	176,50	162	191	86	120	45	20,5			
45H300F	5	2517	65	181,91	180,54	162	189	86	120	45	20,5			
48H300F	5	2517	65	194,04	192,67	168	199	86	120	45	20,5			
49H300	12	2517	65	198,08	196,71	172	-	86	120	45	20,5			
50H300	12	2517	65	202,13	200,76	172	-	86	120	45	20,5			
52H300	12	2517	65	210,21	208,84	185	-	86	120	45	20,5			
60H300	15	2517	65	242,55	241,18	217	-	86	120	45	20,5			
70H300	15	2517	65	282,98	281,61	264	-	86	120	45	20,5			
72H300	15	2517	65	291,06	289,69	264	-	86	120	45	20,5			
82H300	15	2517	65	331,49	330,12	312	-	86	120	45	20,5			
84H300	15	2517	65	339,57	338,20	312	-	86	120	45	20,5			
94H300	15	3030	75	380,00	378,63	357	-	86	146	76	5			
96H300	15	3030	75	388,08	386,71	357	-	86	146	76	5			
106H30	15	3030	75	428,51	427,14	402	-	86	146	76	5			
116H300	15	3030	75	468,93	467,56	442	-	86	146	76	5			
118H300	15	3030	75	477,02	475,65	457	-	86	146	76	5			
120H300	15	3030	75	485,10	483,73	457	-	86	146	76	5			
												Without Flanges		

XH SECTION 200

Part Number	Type	Bushing Type	Bushing Max Bore	R Ø	S Ø	U Ø	e Ø	W	H Ø	Y	Z	Flange	Material
18XH200F	4	2517	65	127,34	124,55	95	134	64	-	45	19	With Flanges	Cast Iron
19XH200F	4	2517	65	134,41	131,62	101	142	64	-	45	19		
20XH200F	4	2517	65	141,49	138,70	101	150	64	-	45	19		
21XH200F	4	2517	65	148,56	145,77	115	158	64	-	45	19		
22XH200F	4	2517	65	155,64	152,85	115	166	64	-	45	19		
24XH200F	4	2517	65	169,79	167,00	129	177	64	-	45	19		
25XH200F	4	2517	65	176,86	174,07	143	186	64	-	45	19		
26XH200F	4	2517	65	183,94	171,15	143	191	64	-	45	19		
27XH200F	5	2517	65	191,01	188,22	157	200	64	120	45	9,5		
28XH200F	5	2517	65	198,08	195,29	157	199	64	120	45	9,5		

XH SECTION 200 continued

Part Number	Type	Type	Bushing Max Bore	R Ø	S Ø	U Ø	e Ø	W	H Ø	Y	Z	Flange	Material
30XH200F	5	2517	65	212.23	209.44	180	216	64	120	45	9.5	With Flanges	Cast Iron
32XH200F	5	2517	65	226.38	223.59	195	232	64	120	45	9.5		
34XH200F	5	2517	65	240.53	237.74	208	261	64	120	45	9.5		
38XH200F	5	2517	65	268.83	266.03	234	274	64	120	45	9.5		
40XH200F	5	3020	75	282.98	280.19	242	288	64	146	51	6.5		
46XH200	15	3020	75	325.42	322.63	285	-	64	146	51	6.5	Without Flanges	
48XH200	15	3020	75	339.57	336.78	299	-	64	146	51	6.5		
58XH200	15	3020	75	410.32	407.52	370	-	64	146	51	6.5		
60XH200	13	3535	90	424.47	421.68	384	-	64	178	89	12.5		
70XH200	13	3535	90	495.21	492.42	455	-	64	178	89	12.5		
72XH200	13	3535	90	509.36	506.57	469	-	64	178	89	12.5		
78XH200	13	3535	90	551.80	549.01	511	-	64	178	89	12.5		
80XH200	13	3535	90	565.95	563.16	525	-	64	178	89	12.5		
82XH200	13	3535	90	580.10	577.31	539	-	64	178	89	12.5		
84XH200	13	3535	90	594.25	591.46	554	-	64	178	89	12.5		

XH SECTION 300

Part Number	Type	Type	Bushing Max Bore	R Ø	S Ø	U Ø	e Ø	W	H Ø	Y	Z	Flange	Material
18XH300F	4	2517	65	127.34	124.55	95	134	90	-	45	45	With Flanges	Cast Iron
19XH300F	4	2517	65	134.41	131.62	95	142	90	-	45	45		
20XH300F	4	2517	65	141.49	138.70	101	150	90	-	45	45		
21XH300F	4	2517	65	148.56	145.77	115	158	90	-	45	45		
22XH300F	4	2517	65	155.64	152.85	115	166	90	-	45	45		
24XH300F	4	2517	65	169.79	167.00	129	177	90	-	45	45		
25XH300F	4	2517	65	176.86	174.07	143	186	90	-	45	45		
26XH300F	4	2517	65	183.94	171.15	143	191	90	-	45	45		
27XH300F	8	3020	75	191.01	188.22	157	200	90	146	51	39		
28XH300F	8	3020	75	198.08	195.29	157	199	90	146	51	39		
30XH300F	8	3020	75	212.23	209.44	172	216	90	146	51	39		
32XH300F	8	3020	75	226.38	223.59	186	232	90	146	51	39		
34XH300F	8	3020	75	240.53	237.74	200	261	90	146	51	39		
38XH300F	8	3020	75	268.83	266.03	228	274	90	146	51	39		
40XH300F	5	3020	75	282.98	280.19	245	288	90	146	51	19.5		
46XH300	12	3020	75	325.42	322.63	285	-	90	146	51	19.5		
48XH300	12	3020	75	339.57	336.78	299	-	90	146	51	19.5		
58XH300	12	3535	90	410.32	407.52	370	-	90	178	89	0.5		
60XH300	12	3535	90	424.47	421.68	384	-	90	178	89	0.5		
70XH300	15	3535	90	495.21	492.42	455	-	90	178	89	0.5		
72XH300	15	3535	90	509.36	506.57	469	-	90	178	89	0.5		
78XH300	15	3535	90	551.80	549.01	511	-	90	178	89	0.5		
80XH300	15	3535	90	565.95	563.16	525	-	90	178	89	0.5		
82XH300	15	3535	90	580.10	577.31	539	-	90	178	89	0.5		
84XH300	15	4040	100	594.25	591.46	554	-	90	215	102	6		



TIMING PULLEYS



TIMING PULLEYS PILOT BORE (IMPERIAL)

Description

Dunlop imperial timing belt pulleys are manufactured from either C45 steel with black oxide surface treatment, cast iron EN-GJL-200 and black phosphate or aluminium 6082. Pulley flanges are produced from S235JR steel.

Imperial timing belt pulleys are available to suit all pitch sizes, XL, L, H & XH and are available from stock in both taper and pilot bore options.

Part numbers are identified by a 2 or 3 digit number (e.g. 44) which represents the number of teeth, one or two letters (e.g. XL) the pulleys pitch and a 3 digit number (e.g. 037) the width of the appropriate corresponding timing belt, for example 44XL037.

XL - SECTION 037

Part Number	Type	Teeth	R Ø	S Ø	U Ø	e Ø	W	H Ø	Y	Z	d Ø	Flange	Material	
10XL037F	1	10	16.17	15.66	-	20	14.3	12	25	10.7	-	With Flanges	Aluminium	
11XL037F	1	11	17.79	17.28	-	20	14.3	12	25	10.7	-			
12XL037F	1	12	19.40	18.89	-	24	14.3	12	25	10.7	-			
13XL037F	1	13	21.02	20.51	-	24	14.3	12	25	10.7	-			
14XL037F	1	14	22.64	22.16	-	27	14.3	16	25	10.7	-			
15XL037F	1	15	24.25	23.74	-	27	14.3	17	25	10.7	-			
16XL037F	1	16	25.87	25.36	-	30	14.3	20	25	10.7	-			
17XL037F	1	17	27.49	26.98	-	30	14.3	20	25	10.7	-			
18XL037F	1	18	29.11	28.60	-	33	14.3	20	25	10.7	-			
19XL037F	1	19	30.72	30.21	-	36	14.3	25	25	10.7	-			
20XL037F	1	20	32.34	31.83	-	36	14.3	25	25	10.7	-			
21XL037F	1	21	33.96	33.45	-	40	14.3	26	25	10.7	-			
22XL037F	1	22	35.57	35.06	-	40	14.3	27	25	10.7	-			
24XL037F	1	24	38.81	38.30	-	46	14.3	30	25	10.7	-			
26XL037F	1	26	42.03	41.53	-	46	14.3	30	25	10.7	-			
27XL037F	1	27	43.66	43.15	-	50	14.3	32	25	10.7	-			
28XL037F	1	28	45.28	44.77	-	50	14.3	34	25	10.7	-			
29XL037F	1	29	46.89	46.38	-	50	14.3	34	25	10.7	-			
30XL037F	1	30	49.51	48.00	-	55	14.3	38	25	10.7	-			
32XL037F	1	32	51.74	51.23	-	-	14.3	45	25	10.7	-			
34XL037	1	34	54.98	54.47	-	-	14.3	45	25	10.7	-			
35XL037	1	35	56.60	56.09	-	-	14.3	45	25	10.7	-			
36XL037	1	36	58.21	57.70	-	-	14.3	52	25	10.7	-			
38XL037	1	38	61.45	60.94	-	-	14.3	52	25	10.7	-			
39XL037	1	39	63.06	62.55	-	-	14.3	52	25	10.7	-			
40XL037	1	40	64.68	64.17	-	-	14.3	52	25	10.7	-			
41XL037	1	41	66.30	65.79	-	-	14.3	52	25	10.7	-			
42XL037	1	42	67.91	67.40	-	-	14.3	52	25	10.7	-			
43XL037	1	43	69.53	69.02	-	-	14.3	52	25	10.7	-			
44XL037	1	44	71.15	70.64	-	-	14.3	52	25	10.7	-			
45XL037	1	45	72.77	72.26	-	-	14.3	52	25	10.7	-			
46XL037	1	46	74.38	73.87	-	-	14.3	52	25	10.7	-			
47XL037	1	47	76.00	75.49	-	-	14.3	52	25	10.7	-			
												Without Flanges		

XL - SECTION 037 continued

Part Number	Type	Teeth	R Ø	S Ø	U Ø	e Ø	W	H Ø	Y	Z	d Ø	Flange	Material
48XL037	1	48	77.62	77.11	-	-	14.3	52	25	10.7	-	Without Flanges	Aluminium
49XL037	2	49	76.23	78.72	54	-	14.3	52	25	10.7	-		
52XL037	2	52	84.08	83.57	58	-	14.3	52	25	10.7	-		
56XL037	2	56	90.55	90.04	65	-	14.3	52	25	10.7	-		
57XL037	2	57	92.17	91.66	67	-	14.3	52	25	10.7	-		
58XL037	2	58	93.79	93.28	69	-	14.3	52	25	10.7	-		
59XL037	2	59	95.40	94.89	70	-	14.3	52	25	10.7	-		
60XL037	2	60	97.02	96.51	71	-	14.3	52	25	10.7	-		
68XL037	2	68	109.96	109.45	84	-	14.3	52	25	10.7	-		
69XL037	2	69	111.57	111.06	86	-	14.3	52	25	10.7	-		
70XL037	2	70	113.19	112.68	87	-	14.3	52	25	10.7	-		
71XL037	2	71	114.81	114.30	89	-	14.3	52	25	10.7	-		
72XL037	2	72	116.43	115.92	91	-	14.3	52	25	10.7	-		

L - SECTION 050

Part Number	Type	Teeth	R Ø	S Ø	U Ø	e Ø	W	H Ø	Y	Z	d Ø	Flange	Material
10L050F	1	10	30.32	29.56	-	33	19	20	30	11	-	With Flanges	Steel
11L050F	1	11	33.35	32.59	-	36	19	20	30	11	-		
12L050F	1	12	36.38	35.62	-	40	19	27	30	11	-		
13L050F	1	13	39.41	38.65	-	47	19	27	30	11	-		
14L050F	1	14	42.45	41.69	-	46	19	29	30	11	-		
15L050F	1	15	45.48	44.72	-	50	19	32	30	11	-		
16L050F	1	16	48.51	47.75	-	55	19	37	30	11	-		
17L050F	1	17	51.54	50.78	-	55	19	37	30	11	-		
18L050F	1	18	54.57	53.81	-	62	19	41	30	11	-		
19L050F	1	19	57.61	56.84	-	62	19	41	30	11	-		
20L050F	1	20	60.64	59.88	-	67	19	47	30	11	-		
21L050F	1	21	63.67	62.91	-	67	19	47	30	11	-		
22L050F	1	22	66.70	65.94	-	73	19	50	30	11	-		
23L050F	1	24	69.73	68.97	-	73	19	50	30	11	-		
24L050F	1	26	72.77	72.01	-	80	19	57	32	13	-		
25L050F	1	25	75.80	75.04	-	80	19	58	32	13	-		
26L050F	1	26	78.83	78.07	-	88	19	64	32	13	-		
27L050F	1	27	81.86	81.10	-	88	19	64	32	13	-		
28L050F	1	28	84.89	84.13	-	94	19	70	32	13	-		
29L050F	1	29	87.93	87.16	-	94	19	70	2	13	-		
30L050F	1	30	90.96	90.20	-	98	19	72	34	15	-		
32L050F	1	32	97.02	96.26	-	100	19	75	34	15	-		
33L050F	1	33	100.05	99.29	-	108	19	80	34	15	-		
34L050F	1	34	103.08	102.32	-	108	19	85	34	15	-		
35L050F	1	35	106.12	105.35	-	113	19	88	34	15	-		
36L050F	1	36	109.15	108.39	-	113	19	88	34	15	-		

L - SECTION 050 continued

Part Number	Type	Teeth	R Ø	S Ø	U Ø	e Ø	W	H Ø	Y	Z	d Ø	Flange	Material
40L050F	2	40	121.28	120,52	100	129	19	68	34	15	-	Without Flanges	Cast Iron
41L050F	2	41	124.31	123.55	103	129	19	68	34	15	-		
42L050	2	42	127.34	126.58	106	137	19	68	34	15	-		
44L050	2	44	133.40	132.64	112	142	19	68	34	15	-		
45L050	2	45	136,44	135,67	115	149	19	68	34	15	-		
47L050	2	47	142,50	141,74	121	151	19	68	34	15	-		
48L050	2	48	136,44	135,67	124	-	19	68	34	27	-		
49L050	3	49	142,50	141,74	127	-	19	68	34	27	-		
50L050	3	50	145,53	144,77	130	-	19	68	46	27	-		
52L050	3	52	148,56	147,80	136	-	19	68	46	27	-		
56L050	3	56	151.60	150.83	139	-	19	68	46	27	-		
57L050	3	57	157.66	156.90	152	-	19	68	46	27	-		
60L050	3	60	169.02	181.15	160	-	19	68	46	27	-		
65L050	3	65	172.06	196.31	176	-	19	68	46	27	-		
66L050	3	66	200.11	199.34	179	-	19	68	46	27	-		
72L050	3	72	218.30	217.54	197	-	19	75	46	27	-		
84L050	3	84	254.68	253.92	233	-	19	75	46	27	-		
90L050	4	90	272.87	272.11	252	-	19	75	46	27	19		
96L050	4	96	291.06	290.30	270	-	19	80	46	27	19		
120L050	5	120	363.83	363.07	342	-	19	85	46	27	19		

L - SECTION 075

Part Number	Type	Teeth	R Ø	S Ø	U Ø	e Ø	W	H Ø	Y	Z	d Ø	Flange	Material
10L075F	1	10	30,32	29,56	-	33	25.4	20	38	12.6	-	With Flanges	Steel
11L075F	1	11	33,35	32,59	-	36	25.4	20	38	12.6	-		
12L075F	1	12	36,38	35,62	-	40	25.4	27	38	12.6	-		
13L075F	1	13	39,41	38,65	-	47	25.4	27	38	12.6	-		
14L075F	1	14	42,45	41,69	-	46	25.4	29	38	12.6	-		
15L075F	1	15	45,48	44,72	-	50	25.4	32	38	12.6	-		
16L075F	1	16	48,51	47,75	-	55	25.4	37	38	12.6	-		
17L075F	1	17	51,54	50,78	-	55	25.4	37	38	12.6	-		
18L075F	1	18	54,57	53,81	-	62	25.4	41	38	12.6	-		
19L075F	1	19	57,61	56,84	-	62	25.4	41	38	12.6	-		
20L075F	1	20	60,64	59,88	-	67	25.4	47	38	12.6	-		
21L075F	1	21	63,67	62,91	-	67	25.4	47	38	12.6	-		
22L075F	1	22	66,70	65,94	-	73	25.4	50	38	12.6	-		
23L075F	1	24	69,73	68,97	-	73	25.4	50	30	12.6	-		
24L075F	1	26	72,77	72,01	-	80	25.4	57	38	12.6	-		
25L075F	1	25	75,80	75,04	-	80	25.4	58	38	12.6	-		
26L075F	1	26	78,83	78,07	-	88	25.4	64	38	12.6	-		
27L075F	1	27	81,86	81,10	-	88	25.4	70	38	12.6	-		
28L075F	1	28	84,89	84,13	-	94	25.4	70	38	12.6	-		
29L075F	1	29	87.93	87.16	-	94	25.4	72	38	12.6	-		

L - SECTION 075 continued

Part Number	Type	Teeth	R Ø	S Ø	U Ø	e Ø	W	H Ø	Y	Z	d Ø	Flange	Material
30L075F	1	30	90.96	90.20	-	98	25.4	72	38	12.6	-	With Flanges	Steel
32L075F	1	32	97.02	96.26	-	100	25.4	75	38	12.6	-		
33L075F	1	33	100.05	99.29	-	108	25.4	80	38	12.6	-		
34L075F	1	34	103.08	102.32	-	108	25.4	85	38	12.6	-		
35L075F	1	35	106.12	105.35	-	113	25.4	88	38	12.6	-		
36L075F	1	36	109.15	108.39	-	113	25.4	88	38	12.6	-		
40L075F	2	40	121.28	120.52	100	129	25.4	68	38	12.6	-		
41L075F	2	41	124.31	123.55	103	129	25.4	68	38	12.6	-		
42L075F	2	42	127.34	126.58	106	137	25.4	68	38	12.6	-		
44L075F	2	44	133.40	132.64	112	142	25.4	68	38	12.6	-		
45L075F	2	45	136.44	135.67	115	142	25.4	68	38	12.6	-		
47L075F	2	47	142.50	141.74	121	149	25.4	68	38	12.6	-		
48L075F	2	48	145.53	144.77	124	151	25.4	68	38	22.6	-		
49L075	3	49	148.56	147.80	127	-	25.4	68	38	22.6	-		
50L075	3	50	151.60	150.83	130	-	25.4	68	48	22.6	-		
52L075	3	52	157.66	156.90	136	-	25.4	68	48	22.6	-		
56L075	3	56	169.79	169.02	139	-	25.4	68	48	22.6	-		
57L075	3	57	172.82	172.06	152	-	25.4	68	48	22.6	-		
60L075	3	60	181.91	181.15	160	-	25.4	68	48	22.6	-		
65L075	3	65	197.07	196.31	176	-	25.4	68	48	22.6	-		
66L075	3	66	200.11	199.34	179	-	25.4	68	48	22.6	-		
72L075	3	72	218,30	217,54	197	-	25.4	68	48	22.6	-		
84L075	3	84	254,68	253,92	233	-	25.4	75	48	22.6	-		
90L075	4	90	272,87	272,11	252	-	25.4	75	48	22.6	19		
96L075	4	96	291.06	290.30	270	-	25.4	80	48	22.6	19		
120L075	5	120	363.83	363.07	342	-	25.4	85	48	22.6	19		
												Without Flanges	Cast Iron

L - SECTION 100

Part Number	Type	Teeth	R Ø	S Ø	U Ø	e Ø	W	H Ø	Y	Z	d Ø	Flange	Material
10L100F	1	10	30.32	29.56	-	33	32	20	46	14	-	With Flanges	Steel
11L100F	1	11	33.35	32.59	-	36	32	20	46	14	-		
12L100F	1	12	36,38	35,62	-	40	32	27	46	14	-		
13L100F	1	13	39,41	38,65	-	47	32	27	46	14	-		
14L100F	1	14	42,45	41,69	-	46	32	29	46	14	-		
15L100F	1	15	45,48	44,72	-	50	32	32	46	14	-		
16L100F	1	16	48,51	47,75	-	55	32	37	46	14	-		
17L100F	1	17	51,54	50,78	-	55	32	37	46	14	-		
18L100F	1	18	54,57	53,81	-	62	32	41	46	14	-		
19L100F	1	19	57,61	56,84	-	62	32	41	46	14	-		
20L100F	1	20	60,64	59,88	-	67	32	47	46	14	-		
21L100F	1	21	63,67	62,91	-	67	32	47	46	14	-		
22L100F	1	22	66,70	65,94	-	73	32	50	46	14	-		
23L100F	1	24	69,73	68,97	-	73	32	50	46	14	-		

L - SECTION 100 continued

Part Number	Type	Teeth	R Ø	S Ø	U Ø	e Ø	W	H Ø	Y	Z	d Ø	Flange	Material
24L100F	1	26	72.77	72.01	-	80	32	57	46	14	-	With Flanges	Steel
25L100F	1	25	75.80	75.04	-	80	32	58	46	14	-		
26L100F	1	26	78.83	78.07	-	88	32	64	46	14	-		
27L100F	1	27	81.86	81.10	-	88	32	64	46	14	-		
28L100F	1	28	84.89	84.13	-	94	32	70	46	14	-		
29L100F	1	29	87.93	87.16	-	94	32	70	46	14	-		
30L100F	1	30	90.96	90.20	-	98	32	72	46	14	-		
32L100F	1	32	97.02	96.26	-	100	32	75	46	14	-		
33L100F	1	33	100.05	99.29	-	108	32	80	46	14	-		
34L100F	1	34	103.08	102.32	-	108	32	85	46	14	-		
35L100F	1	35	106.12	105.35	-	113	32	88	46	14	-		
36L100F	1	36	109.15	108.39	-	113	32	88	46	14	-		
40L100F	2	40	121.28	120.52	100	129	32	68	46	14	-		
41L100F	2	41	124.31	123.55	103	129	32	68	46	14	-		
42L100F	2	42	127.34	126.58	106	137	32	68	46	14	-		
44L100F	2	44	133.40	132.64	112	142	32	68	46	14	-		
45L100F	2	45	136.44	135.67	115	149	32	68	46	14	-		
47L100F	2	47	142.50	141.74	121	151	32	68	46	14	-		
48L100F	2	48	145.53	144.77	124	-	32	68	50	18	-		
49L100	3	49	148.56	147.80	127	-	32	68	50	18	-		
50L100	3	50	151.60	150.83	130	-	32	68	50	18	-		
52L100	3	52	157.66	156.90	136	-	32	68	50	18	-		
56L100	3	56	169.79	169.02	139	-	32	68	50	18	-		
57L100	3	57	172.82	172.06	152	-	32	68	50	18	-		
60L100	3	60	181.91	181.15	160	-	32	68	50	18	-		
65L100	3	65	197.07	196.31	176	-	32	75	54	22	-		
66L100	3	66	200.11	199.34	179	-	32	75	54	22	-		
72L100	3	72	218.30	217.54	197	-	32	75	54	22	-		
84L100	3	84	254.68	253.92	233	-	32	80	54	22	-		
90L100	4	90	272.87	272.11	252	-	32	80	54	22	19		
96L100	4	96	291.06	290.30	270	-	32	80	54	22	19		
120L100	5	120	363.83	363.07	342	-	32	90	54	22	19		
												Without Flanges	Cast Iron

H - SECTION 075

Part Number	Type	Teeth	R Ø	S Ø	U Ø	e Ø	W	H Ø	Y	Z	d Ø	Flange	Material
14H075F	1	14	56.60	55.23	-	62	25.4	40	38	12.6	-	With Flanges	Steel
15H075F	1	15	60.64	59.27	-	67	25.4	45	38	12.6	-		
16H075F	1	16	64.68	63.31	-	67	25.4	47	38	12.6	-		
17H075F	1	17	68.72	67.35	-	77	25.4	49	38	12.6	-		
18H075F	1	18	72.77	71.40	-	80	25.4	57	38	12.6	-		
19H075F	1	19	76.81	75.44	-	84	25.4	60	38	12.6	-		
20H075F	1	20	80.85	79.48	-	88	25.4	64	38	12.6	-		
21H075F	1	21	84.89	83.52	-	94	25.4	64	38	12.6	-		

H - SECTION 075 continued

Part Number	Type	Teeth	R Ø	S Ø	U Ø	e Ø	W	H Ø	Y	Z	d Ø	Flange	Material
22H075F	1	22	88.94	87.57	-	94	25.4	70	38	12.6	-	With Flanges	Steel
23H075F	1	23	92.98	91.61	-	98	25.4	72	38	12.6	-		
24H075F	1	24	97.02	95.65	-	104	25.4	80	38	12.6	-		
25H075F	1	25	101.06	99,69	-	104	25.4	80	38	12.6	-		
26H075F	1	26	105.11	103,74	-	108	25.4	85	38	12.6	-		
27H075F	1	27	109.15	107,78	-	113	25.4	88	38	12.6	-		
28H075F	1	28	113.19	111,92	-	118	25.4	94	38	12.6	-		
29H075F	1	29	117.23	115,86	-	121	25.4	96	38	12.6	-		
30H075F	1	30	121.28	119.91	-	129	25.4	104	38	12.6	-		
32H075F	1	32	129.36	127.99	-	137	25.4	112	38	12.6	-		
33H075F	1	33	133.40	132.03	-	137	25.4	112	38	12.6	-		
34H075F	1	34	137.45	136.08	-	142	25.4	118	38	12.6	-		
35H075F	2	35	141.49	140.12	118	145	25.4	68	48	22.6	-		
36H075F	2	36	145.53	144.16	118	151	25.4	68	48	22.6	-		
38H075F	2	38	153.62	152.25	126	158	25.4	68	48	22.6	-		
40H075F	2	40	161.70	160.33	134	168	25.4	68	48	22.6	-		
44H075F	2	44	177.87	176.50	150	191	25.4	68	48	22.6	-		
45H075F	2	45	181,91	180,54	154	189	25.4	68	48	22.6	-		
48H075F	2	48	194,04	192,67	166	199	25.4	68	48	22.6	-		
49H075	3	49	198,08	196,71	170	-	25.4	68	48	22.6	-		Without Flanges
50H075	3	50	202,13	200,76	174	-	25.4	68	48	22.6	-		
52H075	3	52	210,21	208,84	182	-	25.4	75	48	22.6	-		
60H075	3	60	242,55	241,18	215	-	25.4	75	48	22.6	-		
70H075	3	70	282,98	281,61	255	-	25.4	75	48	22.6	-		
72H075	3	72	291,06	289,69	263	-	25.4	80	48	22.6	-		
82H075	6	82	331,49	330,12	304	-	25.4	80	55	29.6	-		
84H075	5	84	339,57	338,20	312	-	25.4	90	55	29.6	19		
94H075	5	94	380,00	378,63	352	-	25.4	90	55	29.6	19		
96H075	5	96	388,08	386,71	360	-	25.4	100	55	29.6	19		
106H075	5	106	428,51	427,14	401	-	25.4	100	55	29.6	19		
116H075	5	116	468,93	467,56	441	-	25.4	100	55	29.6	19		
118H075	5	118	477,02	475,65	449	-	25.4	100	55	29.6	19		
120H075	5	120	485,10	483,73	458	-	25.4	100	55	29.6	19		
150H075	5	150	606,38	605,01	579	-	25.4	100	55	29.6	19		
152H075	5	152	614,46	613,09	587	-	25.4	100	55	29.6	19		
154H075	5	154	622,55	621,17	595	-	25.4	100	55	29.6	19		
156H075	5	156	630,63	629,26	603	-	25.4	120	55	29.6	19		

H - SECTION 100

Part Number	Type	Teeth	R Ø	S Ø	U Ø	e Ø	W	H Ø	Y	Z	d Ø	Flange	Material
14H100F	1	14	56.60	55,23	-	62	33.3	40	44	10.7	-	With Flanges	Steel
15H100F	1	15	60.64	59.27	-	67	33.3	45	44	10.7	-		
16H100F	1	16	64.68	63.31	-	67	33.3	47	44	10.7	-		
17H100F	1	17	68.72	67.35	-	77	33.3	49	44	10.7	-		
18H100F	1	18	72.77	71.40	-	80	33.3	57	44	10.7	-		
19H100F	1	19	76.81	75.44	-	84	33.3	60	44	10.7	-		
20H100F	1	20	80.85	79.48	-	88	33.3	64	44	10.7	-		
21H100F	1	21	84.89	83.52	-	94	33.3	64	44	10.7	-		
22H100F	1	22	88.94	87.57	-	94	33.3	70	44	10.7	-		
23H100F	1	23	92.98	91.61	-	98	33.3	72	44	10.7	-		
24H100F	1	24	97.02	95.65	-	104	33.3	80	44	10.7	-		
25H100F	1	25	101.06	99.69	-	104	33.3	80	44	10.7	-		
26H100F	1	26	105.11	103.74	-	108	33.3	85	44	10.7	-		
27H100F	1	27	109.15	107.78	-	113	33.3	88	44	10.7	-		
28H100F	1	28	113.19	111.92	-	118	33.3	94	48	14.7	-		
29H100F	1	29	117.23	115.86	-	121	33.3	96	48	14.7	-		
30H100F	1	30	121.28	119.91	-	129	33.3	104	50	16.7	-		
32H100F	1	32	129.36	127.99	-	137	33.3	112	52	18.7	-		
33H100F	1	33	133.40	132.03	-	137	33.3	112	52	18.7	-		
34H100F	1	34	137.45	136.08	-	142	33.3	118	52	18.7	-		
35H100F	2	35	141.49	140.12	118	145	33.3	75	52	18.7	-		
36H100F	2	36	145.53	144.16	118	151	33.3	75	52	18.7	-		
38H100F	2	38	153.62	152.25	126	158	33.3	75	52	20.7	-		
40H100F	2	40	161.70	160.33	134	168	33.3	75	54	20.7	-		
44H100F	2	44	177.87	176.50	150	191	33.3	75	54	26.7	-		
45H100F	2	45	181.91	180.54	154	189	33.3	75	54	26.7	-		
48H100F	2	48	194,04	192,67	166	199	33.3	75	60	26.7	-		
49H100	3	49	198,08	196,71	170	-	33.3	75	60	26.7	-		
50H100	3	50	202,13	200,76	174	-	33.3	75	60	26.7	-		
52H100	3	52	210,21	208,84	182	-	33.3	75	60	26.7	-		
60H100	3	60	242,55	241,18	215	-	33.3	80	60	26.7	-		
70H100	3	70	282,98	281,61	255	-	33.3	80	60	26.7	-		
72H100	3	72	291,06	289,69	263	-	33.3	80	60	26.7	-		
82H100	6	82	331,49	330,12	304	-	33.3	80	60	26.7	-		
84H100	5	84	339,57	338,20	312	-	33.3	80	60	26.7	19		
94H100	5	94	380,00	378,63	352	-	33.3	90	60	26.7	19		
96H100	5	96	388,08	386,71	360	-	33.3	100	60	26.7	19		
106H100	5	106	428,51	427,14	401	-	33.3	100	60	26.7	19		
116H100	5	116	468,93	467,56	441	-	33.3	100	60	26.7	19		
118H100	5	118	477,02	475,65	449	-	33.3	100	60	26.7	19		
120H100	5	120	485,10	483,73	458	-	33.3	100	60	26.7	19		
150H100	5	150	606,38	605,01	579	-	33.3	100	60	26.7	19		
152H100	5	152	614,46	613,09	587	-	33.3	100	60	26.7	19		
154H100	5	154	622,55	621,17	595	-	33.3	100	60	26.7	19		
156H100	5	156	630,63	629,26	603	-	33,3	120	60	26.7	19		

H - SECTION 150

Part Number	Type	Teeth	R Ø	S Ø	U Ø	e Ø	W	H Ø	Y	Z	d Ø	Flange	Material
14H150F	1	14	56,60	55,23	-	62	46	40	58	12	-	With Flanges	Steel
15H150F	1	15	60,64	59,27	-	67	46	45	58	12	-		
16H150F	1	16	64,68	63,31	-	67	46	47	58	12	-		
17H150F	1	17	68,72	67,35	-	77	46	49	58	12	-		
18H150F	1	18	72,77	71,40	-	80	46	57	58	12	-		
19H150F	1	19	76,81	75,44	-	84	46	60	58	12	-		
20H150F	1	20	80,85	79,48	-	88	46	64	58	12	-		
21H150F	1	21	84,89	83,52	-	94	46	64	58	12	-		
22H150F	1	22	88,94	87,57	-	94	46	70	58	12	-		
23H150F	1	23	92,98	91,61	-	98	46	72	58	12	-		
24H150F	1	24	97,02	95,65	-	104	46	80	58	12	-		
25H150F	1	25	101,06	99,69	-	104	46	80	58	12	-		
26H150F	1	26	105,11	103,74	-	108	46	85	58	12	-		
27H150F	1	27	109,15	107,78	-	113	46	88	58	12	-		
28H150F	1	28	113,19	111,92	-	118	46	94	58	12	-		
29H150F	1	29	117,23	115,86	-	121	46	96	58	12	-		
30H150F	1	30	121,28	119,91	-	129	46	104	58	12	-		
32H150F	1	32	129,36	127,99	-	137	46	112	58	12	-		
33H150F	1	33	133,40	132,03	-	137	46	112	58	12	-		
34H150F	1	34	137,45	136,08	-	142	46	118	58	12	-		
35H150F	2	35	141,49	140,12	118	145	46	75	58	22	-		
36H150F	2	36	145,53	144,16	118	151	46	75	58	22	-		
38H150F	2	38	153,62	152,25	126	158	46	75	58	22	-		
40H150F	2	40	161,70	160,33	134	168	46	75	70	24	-		
44H150F	2	44	177,87	176,50	150	191	46	75	70	24	-		
45H150F	2	45	181,91	180,54	154	189	46	75	70	24	-		
48H150F	2	48	194,04	192,67	166	199	46	75	70	24	-		
49H150	3	49	198,08	196,71	170	-	46	75	70	24	-		
50H150	3	50	202,13	200,76	174	-	46	75	70	24	-		
52H150	3	52	210,21	208,84	182	-	46	75	70	24	-		
60H150	3	60	242,55	241,18	215	-	46	80	70	24	-		
70H150	3	70	282,98	281,61	255	-	46	80	70	24	-		
72H150	3	72	291,06	289,69	263	-	46	80	70	24	-		
82H150	6	82	331,49	330,12	304	-	46	80	70	24	-		
84H150	5	84	339,57	338,20	312	-	46	90	70	24	19		
94H150	5	94	380,00	378,63	352	-	46	90	70	24	19		
96H150	5	96	388,08	386,71	360	-	46	100	70	24	19		
106H150	5	106	428,51	427,14	401	-	46	100	70	24	19		
116H150	5	116	468,93	467,56	441	-	46	100	70	24	19		
118H150	5	118	477,02	475,65	449	-	46	100	70	24	19		
120H150	5	120	485,10	483,73	458	-	46	100	70	24	19		
150H150	5	150	606,38	605,01	579	-	46	100	70	24	19		
152H150	5	152	614,46	613,09	587	-	46	100	70	24	19		
154H150	5	154	622,55	621,17	595	-	46	100	70	24	19		
156H150	5	156	630,63	629,26	603	-	46	120	70	24	19		

H - SECTION 200

Part Number	Type	Teeth	R Ø	S Ø	U Ø	e Ø	W	H Ø	Y	Z	d Ø	Flange	Material	
14H200F	1	14	56.60	55,23	-	62	59.5	40	72	12.5	-	With Flanges	Steel	
15H200F	1	15	60.64	59,27	-	67	59.5	45	72	12.5	-			Cast Iron
16H200F	1	16	64.68	63,31	-	67	59.5	47	72	12.5	-			
17H200F	1	17	68.72	67,35	-	77	59.5	49	72	12.5	-			
18H200F	1	18	72.77	71,40	-	80	59.5	57	72	12.5	-			
19H200F	1	19	76.81	75,44	-	84	59.5	60	72	12.5	-			
20H200F	1	20	80.85	79,48	-	88	59.5	64	72	12.5	-			
21H200F	1	21	84.89	83,52	-	94	59.5	64	72	12.5	-			
22H200F	1	22	88.94	87,57	-	94	59.5	70	72	12.5	-			
23H200F	1	23	92.98	91,61	-	98	59.5	72	72	12.5	-			
24H200F	1	24	97.02	95,65	-	104	59.5	80	72	12.5	-			
25H200F	1	25	101.06	99,69	-	104	59.5	80	72	12.5	-			
26H200F	1	26	105.11	103,74	-	108	59.5	85	72	12.5	-			
27H200F	1	27	109.15	107,78	-	113	59.5	88	72	12.5	-			
28H200F	1	28	113.19	111,92	-	118	59.5	94	72	12.5	-			
29H200F	1	29	117.23	115,86	-	121	59.5	96	72	12.5	-			
30H200F	1	30	121.28	119,91	-	129	59.5	104	72	12.5	-			
32H200F	1	32	129.36	127,99	-	137	59.5	112	72	12.5	-			
33H200F	1	33	133.40	132,03	-	137	59.5	112	72	12.5	-			
34H200F	1	34	137.45	136,08	-	142	59.5	118	72	12.5	-			
35H200F	2	35	141.49	140,12	118	145	59.5	80	72	12.5	-			
36H200F	2	36	145.53	144,16	118	151	59.5	80	72	12.5	-			
38H200F	2	38	153.62	152,25	126	158	59.5	80	72	12.5	-			
40H200F	2	40	161.70	160,33	134	168	59.5	80	72	12.5	-			
44H200F	2	44	177.87	176,50	150	191	59.5	80	72	12.5	-			
45H200F	2	45	181.91	180,54	154	189	59.5	80	72	12.5	-			
48H200F	2	48	194.04	192,67	166	199	59.5	80	80	20.5	-			
49H200	3	49	198.08	196,71	170	-	59.5	80	80	20.5	-			
50H200	3	50	202.13	200,76	174	-	59.5	80	80	20.5	-			
52H200	3	52	210.21	208,84	182	-	59.5	80	80	20.5	-			
60H200	3	60	242.55	241,18	215	-	59.5	90	80	20.5	-			
70H200	3	70	282.98	281,61	255	-	59.5	90	80	20.5	-			
72H200	3	72	291.06	289,69	263	-	59.5	90	80	20.5	-			
82H200	6	82	331.49	330,12	304	-	59.5	90	80	20.5	-			
84H200	5	84	339.57	338,20	312	-	59.5	100	80	20.5	19			
94H200	5	94	380.00	378,63	352	-	59.5	100	80	20.5	19			
96H200	5	96	388.08	386,71	360	-	59.5	100	80	20.5	19			
106H200	5	106	428.51	427,14	401	-	59.5	100	80	20.5	19			
116H200	5	116	468.93	467,56	441	-	59.5	100	80	20.5	19			
118H200	5	118	477.02	475,65	449	-	59.5	100	80	20.5	19			
120H200	5	120	485.10	483,73	458	-	59.5	120	80	20.5	19			
150H200	5	150	606.38	605,01	579	-	59.5	120	80	20.5	19			
152H200	5	152	614.46	613,09	587	-	59.5	120	80	20.5	19			
154H200	5	154	622.55	621,17	595	-	59.5	120	80	20.5	19			
156H200	5	156	630.63	629,26	603	-	59.5	130	80	20.5	19			

H - SECTION 300

Part Number	Type	Teeth	R Ø	S Ø	U Ø	e Ø	W	H Ø	Y	Z	d Ø	Flange	Material
14H300F	1	14	56.60	55.23	-	62	85.7	40	98	12.3	-	With Flanges	Steel
15H300F	1	15	60.64	59.27	-	67	85.7	45	98	12.3	-		
16H300F	1	16	64.68	63.31	-	67	85.7	47	98	12.3	-		
17H300F	1	17	68.72	67.35	-	77	85.7	49	98	12.3	-		
18H300F	1	18	72.77	71.40	-	80	85.7	57	98	12.3	-		
19H300F	1	19	76.81	75.44	-	84	85.7	60	98	12.3	-		
20H300F	1	20	80.85	79.48	-	88	85.7	64	98	12.3	-		
21H300F	1	21	84.89	83.52	-	94	85.7	64	98	12.3	-		
22H300F	1	22	88,94	87,57	-	94	85.7	70	98	12.3	-		
23H300F	1	23	92.98	91.61	-	98	85.7	72	98	12.3	-		
24H300F	1	24	97.02	95.65	-	104	85.7	80	98	12.3	-		
25H300F	1	25	101,06	99,69	-	104	85.7	80	98	12.3	-		
26H300F	1	26	105,11	103,74	-	108	85.7	85	98	12.3	-		
27H300F	1	27	109,15	107,78	-	113	85.7	88	98	12.3	-		
28H300F	1	28	113,19	111,92	-	118	85.7	94	98	12.3	-		
29H300F	1	29	117,23	115,86	-	121	85.7	96	98	12.3	-		
30H300F	1	30	121,28	119,91	-	129	85.7	104	98	12.3	-		
32H300F	1	32	129,36	127,99	-	137	85.7	112	98	12.3	-		
33H300F	1	33	133,40	132,03	-	137	85.7	112	98	12.3	-		
34H300F	1	34	137,45	136,08	-	142	85.7	118	98	12.3	-		
35H300F	2	35	141,49	140,12	118	145	85.7	75	98	12.3	-		
36H300F	2	36	145,53	144,16	118	151	85.7	80	98	12.3	-		
38H300F	2	38	153,62	152,25	126	158	85.7	80	98	12.3	-		
40H300F	2	40	161,70	160,33	134	168	85.7	80	98	12.3	-		
44H300F	2	44	177,87	176,50	150	191	85.7	80	98	12.3	-		
45H300F	2	45	181,91	180,54	154	189	85.7	80	98	12.3	-		
48H300F	2	48	194,04	192,67	166	199	85.7	90	98	12.3	-		
49H300	3	49	198,08	196,71	170	-	85.7	90	98	12.3	-		
50H300	3	50	202,13	200,76	174	-	85.7	90	98	12.3	-		
52H300	3	52	210,21	208,84	182	-	85.7	90	98	12.3	-		
60H300	3	60	242,55	241,18	215	-	85.7	100	98	12.3	-		
70H300	3	70	282,98	281,61	255	-	85.7	100	98	12.3	-		
72H300	3	72	291,06	289,69	263	-	85.7	100	98	12.3	-		
82H300	6	82	331,49	330,12	304	-	85.7	100	98	12.3	-		
84H300	5	84	339,57	338,20	312	-	85.7	100	98	12.3	19		
94H300	5	94	380,00	378,63	352	-	85.7	100	98	12.3	19		
96H300	5	96	388,08	386,71	360	-	85.7	110	98	12.3	19		
106H300	5	106	428,51	427,14	401	-	85.7	110	98	12.3	19		
116H300	5	116	428,51	427,14	441	-	85.7	110	98	12.3	19		
118H300	5	118	477,02	475,65	449	-	85.7	110	98	12.3	19		
120H300	5	120	485,10	483,73	458	-	85.7	120	98	12.3	19		
150H300	5	150	606,38	605,01	579	-	85.7	120	98	12.3	19		
152H300	5	152	614,46	613,09	587	-	85.7	120	98	12.3	19		
154H300	5	154	622,55	621,17	595	-	85.7	120	98	12.3	19		
156H300	5	156	630,63	629,26	603	-	85.7	130	98	12.3	19		

Without Flanges

Cast Iron

XH - SECTION 200

Part Number	Type	Teeth	R Ø	S Ø	U Ø	e Ø	W	H Ø	Y	Z	d Ø	Flange	Material
18XH200F	1	18	127.34	124.55	-	134	65	100	80	15	-	With Flanges	Cast Iron
19XH200F	1	19	134.41	131.62	-	142	65	107	80	15	-		
20XH200F	1	20	141.49	138.70	-	150	65	114	80	15	-		
21XH200F	1	21	148.56	145.77	-	158	65	122	80	15	-		
22XH200F	1	22	155.64	152.85	-	166	65	128	80	15	-		
24XH200F	2	24	169.79	167.00	-	177	65	141	80	15	-		
25XH200F	2	25	176.86	174.07	-	186	65	90	80	15	-		
26XH200F	1	26	183.94	171.15	-	191	65	90	80	15	-		
27XH200F	1	27	191.01	188.22	-	200	65	158	80	15	-		
28XH200F	2	28	198.08	195.29	-	199	65	169	80	15	-		
30XH200F	2	30	212.23	209.44	170	216	65	100	80	15	-		
32XH200F	2	32	226.38	223.59	184	232	65	110	80	15	-		
34XH200F	2	34	240.53	237.74	198	261	65	110	80	15	-		
38XH200F	2	38	268.83	266.03	227	274	65	110	80	15	-		
40XH200F	3	40	282.98	280.19	241	288	65	110	100	35	-		
46XH200	4	46	325.42	322.63	283	-	65	120	100	35	-	Without Flanges	
48XH200	4	48	339.57	336.78	297	-	65	120	100	35	19		
58XH200	4	58	410.32	407.52	368	-	65	120	100	35	19		
60XH200	5	60	424.47	421.68	382	-	65	130	100	35	19		
70XH200	5	70	495.21	492.42	453	-	65	130	100	35	19		
72XH200	5	72	509.36	506.57	467	-	65	140	100	35	19		
78XH200	5	78	551.80	549.01	510	-	65	140	100	35	19		
80XH200	5	80	565.95	563.16	524	-	65	140	100	35	19		
82XH200	5	82	580.10	577.31	538	-	65	140	100	35	19		
84XH200	5	84	594.25	591.46	552	-	65	150	100	35	19		
94XH200	5	94	664.99	662.20	623	-	65	150	100	35	19		
96XH200	5	96	679.14	676.35	637	-	65	160	100	35	19		
118XH200	5	118	834.78	831.99	792	-	65	160	100	35	19		
120XH200	5	120	848.93	846.14	806	-	65	170	100	35	19		

XH - SECTION 300

Part Number	Type	Teeth	R Ø	S Ø	U Ø	e Ø	W	H Ø	Y	Z	d Ø	Flange	Material
18XH300F	1	18	127.34	124.55	-	134	92	100	107	15	-	With Flanges	Cast Iron
19XH300F	1	19	134.41	131.62	-	142	92	107	107	15	-		
20XH300F	1	20	141.49	138.70	-	150	92	114	107	15	-		
21XH300F	1	21	148.56	145.77	-	158	92	122	107	15	-		
22XH300F	1	22	155.64	152.85	-	166	92	128	107	15	-		
24XH300F	1	24	169.79	167.00	-	177	92	141	107	15	-		
25XH300F	1	25	176.86	174.07	-	186	92	148	107	15	-		
26XH300F	1	26	183.94	171.15	-	191	92	157	107	15	-		
27XH300F	1	27	191.01	188.22	-	200	92	158	107	15	-		
28XH300F	1	28	198.08	195.29	-	199	92	169	107	15	-		
30XH300F	1	30	212.23	209.44	170	216	92	110	107	15	-		

XH - SECTION 300 continued

Part Number	Type	Teeth	R Ø	S Ø	U Ø	e Ø	W	H Ø	Y	Z	d Ø	Flange	Material
32XH300F	2	32	226.38	223.59	184	232	92	110	107	15	-	With Flanges	Cast Iron
34XH300F	2	34	240.53	237.74	198	261	92	110	107	15	-		
38XH300F	2	38	268.83	266.03	227	274	92	110	107	15	-		
40XH300	2	40	282.98	280.19	241	288	92	120	100	8	-		
46XH300	3	46	325.42	322.63	283	-	92	120	100	8	-	Without Flanges	
48XH300	4	48	339.57	336.78	297	-	92	120	100	8	19		
58XH300	4	58	410.32	407.52	368	-	92	120	100	8	19		
60XH300	4	60	424.47	421.68	382	-	92	120	100	8	19		
70XH300	5	70	495.21	492.42	453	-	92	130	100	8	19		
72XH300	5	72	509.36	506.57	467	-	92	140	120	28	19		
78XH300	5	78	551.80	549.01	510	-	92	140	120	28	19		
80XH300	5	80	565.95	563.16	524	-	92	140	120	28	19		
82XH300	5	82	580.10	577.31	538	-	92	140	120	28	19		
84XH300	5	84	594.25	591.46	552	-	92	160	120	28	19		
94XH300	5	94	664.99	662.20	623	-	92	150	120	28	19		
96XH300	5	96	679.14	676.35	637	-	92	160	120	28	19		
118XH300	5	118	834.78	831.99	792	-	92	160	120	28	19		
120XH300	5	120	848.93	846.14	806	-	92	170	120	28	19		

XH - SECTION 400

Part Number	Type	Teeth	R Ø	S Ø	U Ø	e Ø	W	H Ø	Y	Z	d Ø	Flange	Material
18XH400F	1	18	127.34	124.55	-	134	119	100	135	16	-	With Flanges	Cast Iron
19XH400F	1	19	134.41	131.62	-	142	119	107	135	16	-		
20XH400F	1	20	141.49	138.70	-	150	119	114	135	16	-		
21XH400F	1	21	148.56	145.77	-	158	119	122	135	16	-		
22XH400F	1	22	155.64	152.85	-	166	119	128	135	16	-		
24XH400F	1	24	169.79	167.00	-	177	119	141	135	16	-		
25XH400F	1	25	176.86	174.07	-	186	119	148	135	16	-		
26XH400F	1	26	183.94	171.15	-	191	119	157	135	16	-		
27XH400F	1	27	191.01	188.22	-	200	119	158	135	16	-		
28XH400F	1	28	198.08	195.29	-	199	119	169	135	16	-		
30XH400F	2	30	212.23	209.44	170	216	119	120	135	16	-		
32XH400F	2	32	226.38	223.59	184	232	119	120	135	16	-		
34XH400F	2	34	240.53	237.74	198	261	119	120	135	16	-		
38XH400F	2	38	268.83	266.03	227	274	119	120	135	16	-		
40XH400F	2	40	282.98	280.19	241	288	119	120	135	16	-		
46XH400	3	46	325.42	322.63	283	-	119	140	135	16	-	Without Flanges	
48XH400	4	48	339.57	336.78	297	-	119	140	135	16	19		
58XH400	4	58	410.32	407.52	368	-	119	140	135	16	19		
60XH400	4	60	424.47	421.68	382	-	119	140	135	16	19		
70XH400	5	70	495.21	492.42	453	-	119	140	135	16	19		
72XH400	5	72	509.36	506.57	467	-	119	140	135	16	19		
78XH400	5	78	551.80	549.01	510	-	119	140	135	16	19		



TIMING PULLEYS



METRIC TIMING PULLEYS PILOT BORE

Description

Dunlop metric pitch timing pulleys are manufactured from aluminium 6082 and pulley flanges are produced from S235JR steel.

Metric pitch belt pulleys are available to suit all pitch sizes, T2.5, T5, T10, AT5 & AT10 and are available from stock with pilot bore, suitable for machining.

Part numbers are identified by a 2 digit number (e.g. 27) which represents the overall distance in mm through the bore, one or two letters and numbers (e.g. T5) the pulleys pitch and a 2 or 3 digit number (e.g. 32) being the number of teeth, for example 27T5/32-2.

T2.5 - SECTION (6mm belt width)

Part Number	Type	Teeth	S	Ø e	H	W	Y	Flange	Material
16T2.5/12-2	1	12	9.00	12.0	6.5	9	16	With Flange	Aluminium
16T2.5/14-2	1	14	10.60	16.0	8.5	9	16		
16T2.5/15-2	1	15	11.40	16.0	10	9	16		
16T2.5/16-2	2	16	12.20	18.0	9	10	16		
16T2.5/18-2	2	18	13.80	18.0	9	10	16		
16T2.5/19-2	2	19	14.60	21.5	9	10	16		
16T2.5/20-2	2	20	15.40	20.0	11	10	16		
16T2.5/22-2	2	22	17.00	20.0	11	10	16		
16T2.5/24-2	2	24	18.55	23.0	12	10	16		
16T2.5/25-2	2	25	19.35	24.0	13	10	16		
16T2.5/26-2	2	26	20.15	24.0	14	10	16		
16T2.5/28-2	2	28	21.75	27.0	14	10	16		
16T2.5/30-2	2	30	23.35	27.0	16	10	16		
16T2.5/32-2	2	32	24.95	30.0	16	10	16		
16T2.5/36-2	2	36	28.10	33.0	20	10	16		
16 T2.5/40-2	2	40	31.30	36.0	22	10	16		
16 T2.5/44-2	2	44	34.50	40.0	24	10	16		
16 T2.5/48-0	3	48	37.70	-	28	10	16	*	
16 T2.5/60-0	3	60	47.25	-	34	10	16		

T5 - SECTION (10mm belt width)

Part Number	Type	Teeth	S	Ø e	H	W	Y	Flange	Material
21T5/10-2	2	10	15.05	18	8	15	21	With Flange	Aluminium
21T5/12-2	2	12	18.25	23	11	15	21		
21T5/14-2	2	14	21.45	24	14	15	21		
21T5/15-2	2	15	23.05	27	16	15	21		
21T5/16-2	2	16	24.60	30	18	15	21		
21T5/18-2	2	18	27.80	30	20	15	21		
21T5/19-2	2	19	29.40	33	22	15	21		
21T5/20-2	2	20	31.00	33	23	15	21		
21T5/22-2	2	22	34.25	36	24	15	21		
21T5/24-2	2	24	37.40	40	26	15	21		
21T5/25-2	2	25	39.00	46	26	15	21		
21T5/26-2	2	26	40.60	46	26	15	21		

T5 - SECTION (10mm belt width) continued

Part Number	Type	Teeth	S	Ø e	H	W	Y	Flange	Material
21T5/27-2	2	27	42.20	46	30	15	21	With Flanges	Aluminium
21T5/28-2	2	28	43.75	50	32	15	21		
21T5/30-2	2	30	46.95	50	34	15	21		
21T5/32-2	2	32	50.10	55	38	15	21		
21T5/36-2	2	36	56.45	62	38	15	21		
21T5/40-2	2	40	62.85	67	40	15	21		
21T5/42-2	2	42	66.00	73	40	15	21		
21T5/44-0	3	44	69.20	-	45	15	21	*	
21T5/48-0	3	48	75.55	-	50	15	21		
21T5/60-0	3	60	94.65	-	65	15	21		

T5 - SECTION (16mm belt width)

Part Number	Type	Teeth	S	Ø e	H	W	Y	Flange	Material
27T5/10-2	2	10	15.05	18	8	21	27	With Flanges	Aluminium
27T5/12-2	2	12	18.25	23	11	21	27		
27T5/14-2	2	14	21.45	24	14	21	27		
27T5/15-2	2	15	23.05	27	16	21	27		
27T5/16-2	2	16	24.60	30	18	21	27		
27T5/18-2	2	18	27.80	30	20	21	27		
27T5/19-2	2	19	29.40	33	22	21	27		
27T5/20-2	2	20	31.00	33	23	21	27		
27T5/22-2	2	22	34.25	36	24	21	27		
27T5/24-2	2	24	37.40	40	26	21	27		
27T5/25-2	2	25	39.00	46	26	21	27		
27T5/26-2	2	26	40.60	46	26	21	27		
27T5/27-2	2	27	42.20	46	30	21	27		
27T5/28-2	2	28	43.75	50	32	21	27		
27T5/30-2	2	30	46.95	50	34	21	27		
27T5/32-2	2	32	50.10	55	38	21	27		
27T5/36-2	2	36	56.45	62	38	21	27		
27T5/40-2	2	40	62.85	67	40	21	27		
27T5/42-2	2	42	66.00	73	40	21	27		
27T5/44-0	3	44	69.20	-	45	21	27	*	
27T5/48-0	3	48	75.55	-	50	21	27		
27T5/60-0	3	60	94.65	-	65	21	27		

T5 - SECTION (25mm belt width)

Part Number	Type	Teeth	S	Ø e	H	W	Y	Flange	Material
36T5/10-2	2	10	15.05	18	8	30	36	Without Flanges	Aluminium
36T5/12-2	2	12	18.25	23	11	30	36		
36T5/14-2	2	14	21.45	24	14	30	36		
36T5/15-2	2	15	23.05	27	16	30	36		
36T5/16-2	2	16	24.60	30	18	30	36		
36T5/18-2	2	18	27.80	30	20	30	36		

T5 - SECTION (25mm belt width)

Part Number	Type	Teeth	S	Ø e	H	W	Y	Flange	Material
36T5/19-2	2	19	15.05	33	22	30	36	With Flanges	Aluminium
36T5/20-2	2	20	18.25	33	23	30	36		
36T5/22-2	2	22	21.45	36	24	30	36		
36T5/24-2	2	24	23.05	40	26	30	36		
36T5/25-2	2	25	24.60	46	26	30	36		
36T5/26-2	2	26	27.80	46	26	30	36		
36T5/27-2	2	27	42.20	46	30	30	36		
36T5/28-2	2	28	43.75	50	32	30	36		
36T5/30-2	2	30	46.95	50	34	30	36		
36T5/32-2	2	32	50.10	55	38	30	36		
36T5/36-2	2	36	56.45	62	38	30	36		
36T5/40-2	2	40	62.85	67	40	30	36		
36T5/42-2	2	42	66.00	73	40	30	36		
36T5/44-0	2	44	69.20	-	45	30	36		
36T5/48-0	2	48	75.55	-	50	30	36		
36T5/60-0	2	60	94.65	-	65	30	36		
								*	

T10 - SECTION (16mm belt width)

Part Number	Type	Teeth	S	Ø e	H	W	Y	Flange	Material
31T10/12-2	2	12	36.35	40	28	21	31	With Flanges	Aluminium
31T10/14-2	2	14	42.70	46	32	21	31		
31T10/15-2	2	15	45.90	50	32	21	31		
31T10/16-2	2	16	49.05	55	35	21	31		
31T10/18-2	2	18	55,45	62	40	21	31		
31T10/19-2	2	19	58,60	67	44	21	31		
31T10/20-2	2	20	61,80	67	46	21	31		
31T10/22-2	2	22	68,15	73	52	21	31		
31T10/24-2	2	24	74,55	80	58	21	31		
31T10/25-2	2	25	77,70	84	60	21	31		
31T10/26-2	2	26	80,90	88	60	21	31		
31T10/27-2	2	27	84,10	88	60	21	31		
31T10/28-2	2	28	87,25	94	60	21	31		
31T10/30-2	2	30	93,65	98	60	21	31		
31T10/32-2	2	32	100,00	108	65	21	31		
31T10/36-2	2	36	112,75	118	70	21	31		
31T10/40-2	4	40	125,45	129	80	21	31		
31T10/44-0	5	44	138,20	-	88	21	31		
31T10/48-0	5	48	150,95	-	95	21	31		
31T10/60-0	5	60	189,10	-	110	21	31		
								*	

T10 - SECTION (25mm belt width)

Part Number	Type	Teeth	S	Ø e	H	W	Y	Flange	Material
40T10/12-2	2	12	36.35	40	28	30	40	With Flange	Aluminium
40T10/14-2	2	14	42.70	46	32	30	40		
40T10/15-2	2	15	45.90	50	32	30	40		
40T10/16-2	2	16	49.05	55	35	30	40		
40T10/18-2	2	18	55.45	62	40	30	40		
40T10/19-2	2	19	58.60	67	44	30	40		
40T10/20-2	2	20	61.80	67	46	30	40		
40T10/22-2	2	22	68.15	73	52	30	40		
40T10/24-2	2	24	74.55	80	58	30	40		
40T10/25-2	2	25	77.70	84	60	30	40		
40T10/26-2	2	26	80.90	88	60	30	40		
40T10/27-2	2	27	84.10	88	60	30	40		
40T10/28-2	2	28	87.25	94	60	30	40		
40T10/30-2	2	30	93.65	98	60	30	40		
40T10/32-2	2	32	100.00	108	65	30	40		
40T10/36-2	2	36	112.75	118	70	30	40		
40T10/40-2	4	40	125.45	129	80	30	40		
40T10/44-0	5	44	138.20	-	88	30	40	*	
40T10/48-0	5	48	150.95	-	95	30	40		
40T10/60-0	5	60	189.10	-	110	30	40		

T10 - SECTION (32mm belt width)

Part Number	Type	Teeth	S	Ø e	H	W	Y	Flange	Material
47T10/18-2	2	18	55.45	62	40	37	47	With Flange	Aluminium
47T10/19-2	2	19	58.60	67	44	37	47		
47T10/20-2	2	20	61.80	67	46	37	47		
47T10/22-2	2	22	68.15	73	52	37	47		
47T10/24-2	2	24	74.55	80	58	37	47		
47T10/25-2	2	25	77.70	84	60	37	47		
47T10/26-2	2	26	80.90	88	60	37	47		
47T10/27-2	2	27	84.10	88	60	37	47		
47T10/28-2	2	28	87.25	94	60	37	47		
47T10/30-2	2	30	93.65	98	60	37	47		
47T10/32-2	2	32	100.00	108	65	37	47		
47T10/36-2	2	36	112.75	118	70	37	47		
47T10/40-2	4	40	125.45	129	80	37	47		
47T10/44-2	5	44	138.20	-	88	37	47		
47T10/48-0	5	48	150.95	-	95	37	47	*	
47T10/60-0	5	60	189.10	-	110	37	47		

T10 - SECTION (50mm belt width)

Part Number	Type	Teeth	S	Ø e	H	W	Y	Flange	Material
66T10/18-2	2	18	55.45	62	40	56	66	With Flange	Aluminium
66T10/19-2	2	19	58.60	67	44	56	66		
66T10/20-2	2	20	61.80	67	46	56	66		
66T10/22-2	2	22	68.15	73	52	56	66		
66T10/24-2	2	24	74.55	80	58	56	66		
66T10/25-2	2	25	77.70	84	60	56	66		
66T10/26-2	2	26	80.90	88	60	56	66		
66T10/27-2	2	27	84.10	88	60	56	66		
66T10/28-2	2	28	87.25	94	60	56	66		
66T10/30-2	2	30	93.65	98	60	56	66		
66T10/32-2	2	32	100.00	108	65	56	66		
66T10/36-2	2	36	112.75	118	70	56	66		
66T10/40-2	4	40	125.45	129	80	56	66		
66T10/44-0	5	44	138.20	1	88	56	66	*	
66T10/48-0	5	48	150.95	1	95	56	66		
66T10/60-0	5	60	189.10	1	110	56	66		





English



Español



Italiano



Deutsch



Français



Nederlands



Polskie

Engineering Data

164

Datos de ingeniería • Dati ingegneristici • Technische gegevens
Données d'ingénierie • Technische gegevens • Dane Inżynieria

American Standard Roller Chain

165

Cadena de rodillos estándar americano • Catena a rulli standard americano
Amerikanischen standard Rollenkette • Chaîne à rouleaux standard américain
Amerikaanse standaard roller keten • Amerykański standard rołkowe

British Standard Roller Chain

167

Cadena de rodillos estándar británico • Catene a rulli britannico
British standard Rollenkette • Chaîne à rouleaux standard Britannique
Britse standaard roller keten • Brytyjski standardowy łańcuch rołkowy

Straight Side Plate Roller Chain

166

Cadena de rodillos de placa de lado recto • Catena a rulli di lato dritto piatto
Gerade Seite Teller Rollenkette • Chaîne à rouleaux plaque latérale droite
Rechte plaat roller zijketen • Prosto płyta boczna rołkowe

Stainless Steel Roller Chain

168

Cadena de rodillos acero inoxidable • Catena a rulli in acciaio inox
Edelstahl-Rollenkette • Chaîne à rouleaux en acier inoxydable
Roestvrij staal roller keten • rołkowe ze stali nierdzewnej

Nickel Plated Roller Chain

168

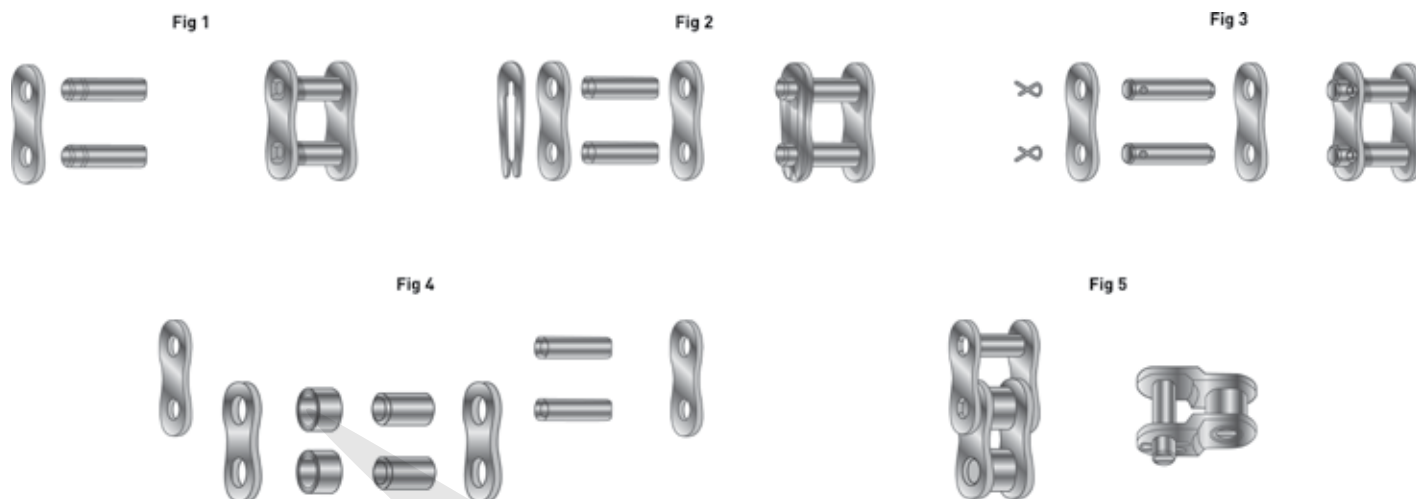
Cadena del rodillo del niquelado • Catena a rulli nichelato • Vernickelt-Rollenkette
Chaîne à rouleaux nickelé • Vernikkeld roller keten • Niklowane rołkowe

Zinc Plated Roller Chain

169

Cadena del rodillo zincado • Catena a rulli zincati • Verzinkt-Rollenkette
Chaîne à rouleaux zingués • Elektrolytisch verzinkt roller keten
O cynkowany łańcuch rołkowy

ENGINEERING DATA



The main components of a roller-type transmission chain are shaped side plates, roller bearing pins and rollers. The distance between the centre of two pins determines the chains pitch.

Accessories available are connecting links and single or double offset links, to connect these parts to the chain, spring clips or alternatively cotter pins are required. Fig. 1 shows a chains pitch, Fig. 2 shows a spring clip connecting link, and Fig. 3 shows a cotter pin connecting link. Fig. 4 shows external and internal side plate alternation and Fig. 5 shows a single and a double offset-link.

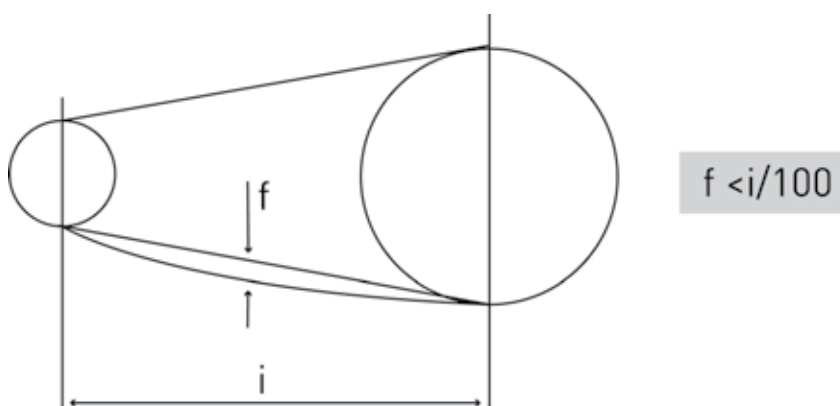
British standard roller chains refer to the ISO/R 606-1982 (DIN 8187) while American standard roller chains refer to ANSI (DIN 8188). Chains are usually supplied in the most commonly requested pitches and are boxed and packed in 5 metre rolls or 50 metre coils, cut lengths of roller chain are available to customer length requirements.

LENGTH - The number of pitches is always odd.

CONNECTING LINK - The connecting link is used to connect and close the chain length into a ring, the number of pitches then become even.

OFFSET LINK - When an offset link is inserted, the number of pitches becomes odd, but the chain cannot close into a ring.

DESIGN CRITERIA



DESIGN CRITERIA continued

- 1) The centre-to-centre distance between the driving and driven wheels must allow the chain to wind around the driving wheel for a circle arc of at least of 120°.
- 2) Appropriate chain tension gives good transmission, it maybe necessary to use idler sprockets to maintain the chains tension.
- 3) As well as ensuring correct performance, lubrication prevents chain wear. The speed and dimensions of the chain are what dictate the type of lubrication required.

Chain example	Speed up to	System
3/8"	1 Mtr/sec	manual
1"	1 Mtr/sec	drop type
3/8"	2 Mtr/sec	drop type
1"	2 Mtr/sec	oil bath
3/8"	10 Mtr/sec	forced lubrication
1"	6 Mtr/sec	forced lubrication

4) Determination of the chain length (theoretical):

$$S_v = 2 \frac{l}{p} + \left(\frac{Z_1 + Z_2}{2} \right) + \left[\left(\frac{Z_2 - Z_1}{2\pi} \right)^2 \times \frac{p}{l} \right]$$

Sv = chain length

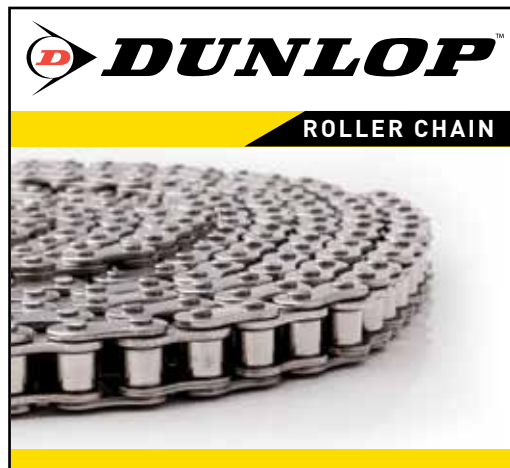
l = centre-to-centre distance

Z1 = Driving wheel teeth

Z2 = Driven wheel teeth

p = pitch





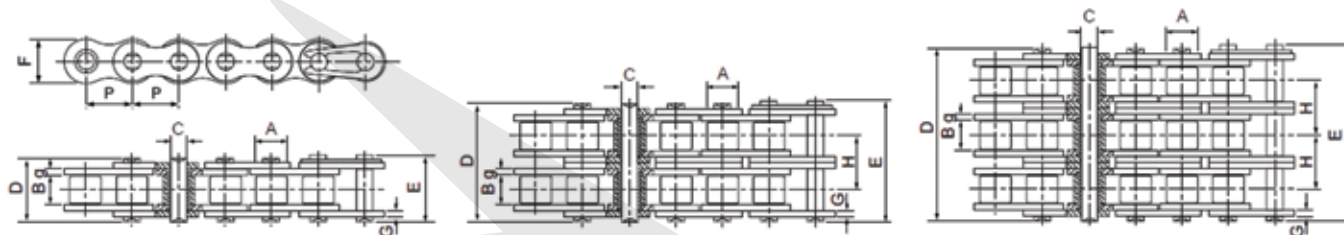
ROLLER CHAIN DIN8187-ISO/R 606

Description

Roller chains are manufactured to internationally recognised standards. European standards refer to the ISO/R 606-1982 (DIN 8187) while American standards refer to ANSI (DIN 8188).

Roller chains are available in simplex (-1), duplex (-2) and triplex (-3) and in a varying range of materials and plating options, such as stainless steel (SS), nickel plated (NP) and zinc plated (ZP).

Attachments are also available along with connecting links (CL) and single (OL) and double (DOL) offset links.

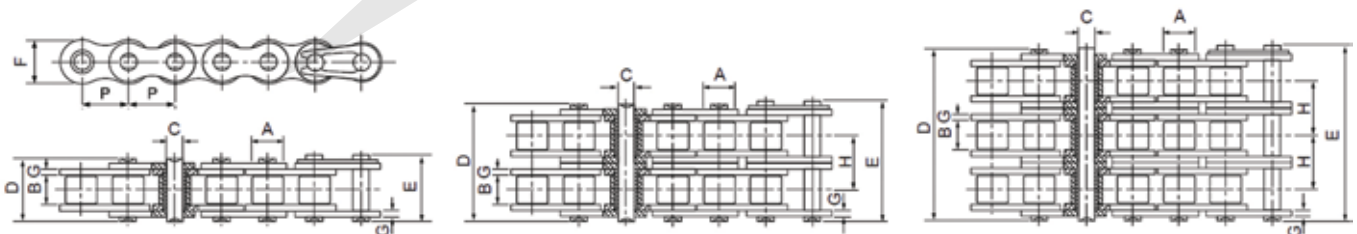


BRITISH STANDARD ROLLER CHAIN

ISO Chain No.	Pitch	Roller Diameter	Width between inner plates		Pin Diameter		Pin Length		Inner Plates Height	Plate thickness	Transverse Pitch	Minimum tensile strength	Average Tensile Strength	Weight per metre
	P mm		A mm	B mm	C mm	D mm	E mm	F mm						
SIMPLEX														
04B-1	6.000	4.00	2.80	1.85	6.80	7.80	5.00	0.60	-	3.00	3.20	0.11		
05B-1	8.000	5.00	3.00	2.31	8.20	8.90	7.10	0.80	-	5.00	5.90	0.20		
06B-1*	9.525	6.35	5.72	3.28	13.15	14.10	8.20	1.30	-	9.00	10.40	0.41		
081-1	12.700	7.75	3.30	3.65	9.30	10.80	9.91	1.35	-	8.03	8.20	0.30		
083-1	12.700	7.75	4.88	3.96	11.95	13.45	10.30	1.40	-	11.60	13.20	0.69		
08B-1	12.700	8.51	7.75	4.45	16.70	18.20	11.80	1.60	-	18.00	19.40	0.69		
10B-1	15.875	10.16	9.65	5.08	19.50	20.90	14.70	1.70	-	22.40	27.50	0.93		
12B-1	19.050	12.07	11.68	5.72	22.50	24.20	16.00	1.85	-	29.00	32.20	1.15		
16B-1	25.400	15.88	17.02	8.28	36.10	37.40	21.00	4.15/3.1	-	60.00	72.80	2.71		
20B-1	31.750	19.05	19.56	10.19	41.30	45.00	26.40	4.5/3.5	-	95.00	106.70	3.70		
24B-1	38.100	25.40	25.40	14.63	53.40	57.80	33.20	6.0/4.8	-	160.00	178.00	7.10		
28B-1	44.450	27.94	30.99	15.90	65.10	69.50	36.70	7.5/6.0	-	200.00	222.00	8.50		
32B-1	50.800	29.21	30.99	17.81	66.00	71.00	42.00	7.0/6.0	-	250.00	277.50	10.25		
40B-1	63.500	39.37	38.10	22.89	82.20	89.20	52.96	8.5/8.0	-	355.00	394.00	16.35		
48B-1	76.200	48.26	45.72	29.24	99.10	107.00	63.80	12/10	-	560.00	621.60	25.00		
DUPLEX														
05B-2	8.000	5.00	3.00	2.31	13.90	14.50	7.10	0.80	5.64	7.80	10.20	0.33		
06B-2*	9.525	6.35	5.72	3.28	23.40	24.40	8.20	1.30	10.24	16.90	18.70	0.77		
08B-2	12.700	8.51	7.75	4.45	31.20	32.20	11.80	1.60	13.92	32.00	38.70	1.34		
10B-2	15.875	10.16	9.65	5.08	36.10	37.50	14.70	1.70	16.59	44.50	56.20	1.84		
12B-2	19.050	12.07	11.68	5.72	42.00	43.60	16.00	1.85	19.46	57.80	66.10	2.31		
16B-2	25.400	15.88	17.02	8.28	68.00	69.30	21.00	4.15/3.1	31.88	106.00	133.00	5.42		
20B-2	31.750	19.05	19.56	10.19	77.80	81.50	26.40	4.5/3.5	36.45	170.00	211.20	7.20		

BRITISH STANDARD ROLLER CHAIN continued

ISO Chain No.	Pitch	Roller Diameter	Width between inner plates	Pin Diameter	Pin Length		Inner Plates Height	Plate thickness	Transverse Pitch	Minimum tensile strength	Average Tensile Strength	Weight per metre
	P mm	A mm	B mm	C mm	D mm	E mm	F mm	g/G mm	H mm	kN mm	kN mm	kg/m
24B-2	44.450	25.40	25.40	14.63	101.70	106.20	33.20	6.0/4.8	48.36	280.00	319.20	13.40
28B-2	50.800	27.94	30.99	15.90	124.60	129.10	36.70	7.5/6.0	59.56	360.00	406.80	16.60
DUPLEX												
05B-2	8.000	5.00	3.00	2.31	13.90	14.50	7.10	0.80	5.64	7.80	10.20	0.33
06B-2*	9.525	6.35	5.72	3.28	23.40	24.40	8.20	1.30	10.24	16.90	18.70	0.77
08B-2	12.700	8.51	7.75	4.45	31.20	32.20	11.80	1.60	13.92	32.00	38.70	1.34
10B-2	15.875	10.16	9.65	5.08	36.10	37.50	14.70	1.70	16.59	44.50	56.20	1.84
12B-2	19.050	12.07	11.68	5.72	42.00	43.60	16.00	1.85	19.46	57.80	66.10	2.31
16B-2	25.400	15.88	17.02	8.28	68.00	69.30	21.00	4.15/3.1	31.88	106.00	133.00	5.42
20B-2	31.750	19.05	19.56	10.19	77.80	81.50	26.40	4.5/3.5	36.45	170.00	211.20	7.20
24B-2	44.450	25.40	25.40	14.63	101.70	106.20	33.20	6.0/4.8	48.36	280.00	319.20	13.40
28B-2	50.800	27.94	30.99	15.90	124.60	129.10	36.70	7.5/6.0	59.56	360.00	406.80	16.60
32B-2	50.800	29.21	30.99	17.81	124.60	129.60	42.00	7.0//6.0	58.55	450.00	508.50	21.00
40B-2	63.500	39.37	38.10	22.89	154.50	161.50	52.96	8.5/8.0	72.29	630.00	711.90	32.00
48B-2	76.200	48.26	45.72	29.24	190.40	198.20	63.80	12/10	91.21	1000.00	1130.00	50.00
TRIPLEX												
05B-3	8.000	5.00	3.00	2.31	19.50	20.20	7.10	0.80	5.64	11.10	13.80	0.48
06B-3*	9.525	6.35	5.72	3.28	33.50	34.60	8.20	1.30	10.24	24.90	30.10	1.16
08B-3	12.700	8.51	7.75	4.45	45.10	46.10	11.80	1.60	13.92	47.50	57.80	2.03
10B-3	15.875	10.16	9.65	5.08	52.70	54.10	14.70	1.70	16.59	66.70	84.50	2.77
12B-3	19.050	12.07	11.68	5.72	61.50	63.10	16.00	1.85	19.46	86.70	101.80	3.46
16B-3	25.400	15.88	17.02	8.28	99.80	101.20	21.00	4.15/3.1	31.88	160.00	203.70	8.13
20B-3	31.750	19.05	19.56	10.19	114.20	117.90	26.40	4.5/3.5	36.45	250.00	290.00	10.82
24B-3	38.100	25.40	25.40	14.63	150.10	154.60	33.20	6.0/4.8	48.36	425.00	493.00	20.10
28B-3	44.450	27.94	30.99	15.90	184.20	188.70	36.70	7.5/6.0	59.56	530.00	609.50	24.92
32B-3	50.800	29.21	30.99	17.81	183.20	188.20	42.00	7.0/6.0	58.55	670.00	770.50	31.56
40B-3	63.500	39.37	38.10	22.89	226.80	233.80	52.96	8.5/8.0	72.29	950.00	1092.50	48.10
48B-3	76.200	48.26	45.72	29.24	281.60	289.40	63.80	12/10	91.21	1500.00	1710.00	75.00



AMERICAN STANDARD ROLLER CHAIN

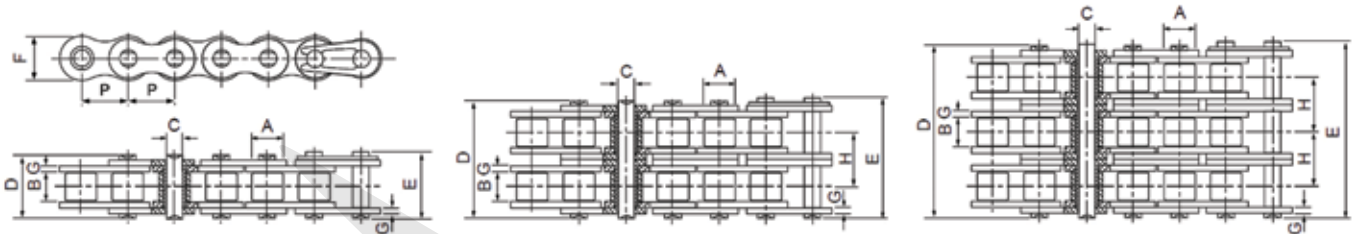
Part No.	Pitch	Roller Diameter	Width between inner plates	Pin Diameter	Pin Length		Inner Plates Height	Plate thickness	Transverse Pitch	Minimum tensile strength	Average Tensile Strength	Weight per metre
	P mm	A mm	B mm	C mm	D mm	E mm	F mm	g/G mm	H mm	kN mm	kN mm	kg/m
SIMPLEX												
ASA15*	4.763	2.48	2.38	1.62	6.10	6.90	4.30	0.60	-	1.8	2.0	0.08

AMERICAN STANDARD ROLLER CHAIN continued

Part No.	Pitch	Roller Diameter	Width between inner plates	Pin Diameter	Pin Length		Inner Plates Height	Plate thickness	Transverse Pitch	Minimum tensile strength	Average Tensile Strength	Weight per metre
	P mm	A mm	B mm	C mm	D mm	E mm	F mm	g/G mm	H mm	kN mm	kN mm	kg/m
SIMPLEX												
ASA25-1*	6.350	3.30	3.18	2.31	7.90	8.40	6.00	0.80	-	3.5	4.6	0.15
ASA35-1*	9.525	5.08	4.77	3.58	12.40	13.17	9.00	1.30	-	7.9	10.8	0.33
ASA41-1*	12.700	7.77	6.25	3.58	13.75	15.00	9.91	1.30	-	6.7	12.6	0.41
ASA40-1*	12.700	7.95	7.85	3.96	16.60	17.80	12.00	1.50	-	14.1	17.5	0.62
ASA50-1*	15.875	10.16	9.40	5.08	20.70	22.20	15.09	2.03	-	22.2	29.4	1.02
ASA60-1	19.050	11.91	12.57	5.94	25.90	27.70	18.00	2.42	-	31.8	41.5	1.50
ASA80-1	25.400	15.88	15.75	7.92	32.70	35.00	24.00	3.25	-	56.7	69.4	2.60
ASA100-1	31.750	19.05	18.90	9.53	40.40	44.70	30.00	4.00	-	88.5	109.2	3.91
ASA120-1	38.100	22.23	25.22	11.10	50.30	54.30	35.70	4.80	-	127.0	156.3	5.62
ASA140-1	44.450	25.40	25.22	12.70	54.40	59.00	41.00	5.60	-	172.4	212.0	7.50
ASA160-1	50.800	28.58	32.55	14.27	64.80	69.60	47.80	6.40	-	226.8	278.9	10.10
ASA180-1	57.150	35.71	35.48	17.46	72.80	78.60	53.60	7.20	-	280.2	341.8	13.45
ASA200-1	63.500	39.68	37.85	19.85	80.30	87.20	60.00	8.00	-	353.8	431.6	16.15
ASA240-1	76.200	47.63	47.35	23.81	95.50	103.00	72.39	9.50	-	510.3	622.5	23.20
DUPLEX												
ASA25-2*	6.350	3.30	3.18	2.31	14.50	15.00	6.00	0.80	6.40	7.0	8.6	0.28
ASA35-2*	9.525	5.08	4.77	3.58	22.50	23.30	9.00	1.30	10.13	15.8	19.7	0.63
ASA41-2	12.700	7.77	6.25	3.58	25.70	26.90	9.91	1.30	11.95	13.3	16.9	0.81
ASA40-2	12.700	7.95	7.85	3.96	31.00	32.20	12.00	1.50	14.38	28.2	35.9	1.12
ASA50-2	15.875	10.16	9.40	5.08	38.90	40.40	15.09	2.03	18.11	44.4	58.1	2.00
ASA60-2	19.050	11.91	12.57	5.94	48.80	50.50	18.00	2.42	22.78	63.6	82.1	2.92
ASA80-2	25.400	15.88	15.75	7.92	62.70	64.30	24.00	3.25	29.29	113.4	141.8	5.15
ASA100-2	31.750	19.05	18.90	9.53	76.40	80.50	30.00	4.00	35.76	177.0	219.4	7.80
ASA120-2	38.100	22.23	25.22	11.10	95.80	99.70	35.70	4.80	45.44	254.0	314.9	11.70
ASA140-2	44.450	25.40	25.22	12.70	103.30	107.90	41.00	5.60	48.87	344.8	427.5	15.14
ASA160-2	50.800	28.58	31.55	14.27	123.30	128.10	47.80	6.40	58.55	453.6	562.4	20.14
ASA180-2	57.150	35.71	35.48	17.46	138.60	144.40	53.60	7.20	65.84	560.5	695.0	29.22
ASA200-2	63.500	39.68	37.85	19.85	151.90	158.80	60.00	8.00	71.55	707.6	877.4	32.24
ASA240-2	76.200	47.63	47.35	23.81	183.40	190.80	72.39	9.50	87.83	1020.6	1255.3	45.23
TRIPLEX												
ASA25-3*	6.350	3.30	3.18	2.31	21.00	21.50	6.00	0.80	6.40	10.5	12.6	0.44
ASA35-3*	9.525	5.08	4.77	3.58	32.70	33.50	9.00	1.30	10.13	23.7	28.6	1.05
ASA40-3	12.700	7.95	7.85	3.96	45.40	46.60	12.00	1.50	14.38	42.3	50.0	1.90
ASA50-3	15.875	10.16	9.40	5.08	57.00	58.50	15.09	2.03	18.11	66.6	77.8	3.09
ASA60-3	19.050	11.91	12.57	5.94	71.50	73.30	18.00	2.42	22.78	95.4	111.1	4.54
ASA80-3	25.400	15.88	15.75	7.92	91.70	93.60	24.00	3.25	29.29	170.1	198.4	7.89
ASA100-3	31.750	19.05	18.90	9.53	112.20	116.30	30.00	4.00	35.76	265.5	309.6	11.77
ASA120-3	38.100	22.23	25.22	11.10	141.40	145.20	35.70	4.80	45.44	381.0	437.2	17.53
ASA140-3	44.450	25.40	25.22	12.70	152.20	156.80	41.00	5.60	48.87	517.2	593.3	22.20
ASA160-3	50.800	28.58	31.55	14.27	181.80	186.60	47.80	6.40	58.55	680.4	780.6	30.02
ASA180-3	57.150	35.71	35.48	17.46	204.40	210.20	53.60	7.20	65.84	840.7	983.6	38.22

AMERICAN STANDARD ROLLER CHAIN continued

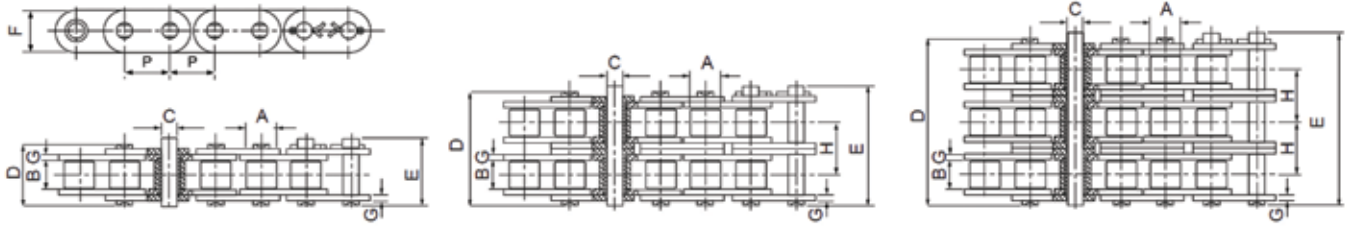
Part No.	Pitch	Roller Diameter	Width between inner plates	Pin Diameter	Pin Length		Inner Plates Height	Plate thickness	Transverse Pitch	Minimum tensile strength	Average Tensile Strength	Weight per metre
	P mm	A mm	B mm	C mm	D mm	E mm	F mm	g/G mm	H mm	kN mm	kN mm	kg/m
ASA200-3	63.500	39.68	37.85	19.85	223.50	230.40	60.00	8.00	71.55	1061.4	1217.8	49.03
ASA240-3	76.200	47.63	47.35	23.81	271.30	278.60	72.39	9.50	87.83	1530.9	1756.5	71.60



AMERICAN STANDARD HEAVY DUTY ROLLER CHAIN

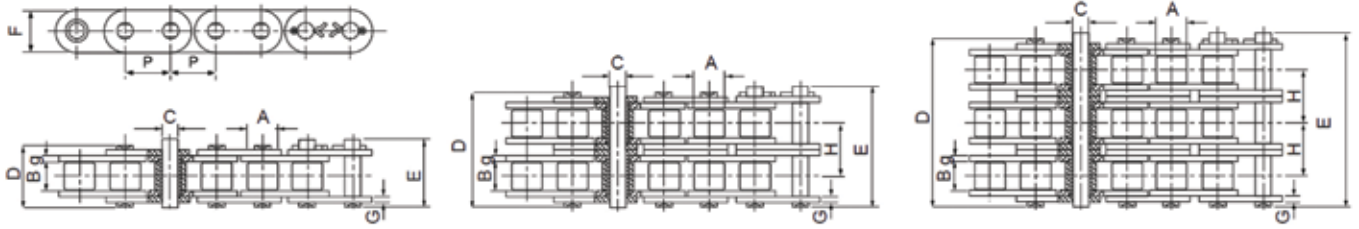
Part No.	Pitch	Roller Diameter	Width between inner plates	Pin Diameter	Pin Length		Inner Plates Height	Plate thickness	Transverse Pitch	Minimum tensile strength	Average Tensile Strength	Weight per metre
	P mm	A mm	B mm	C mm	D mm	E mm	F mm	g/G mm	H mm	kN mm	kN mm	kg/m
SIMPLEX												
ASA40H-1	12.700	7.95	7.85	3.96	18.80	19.90	12.00	2.03	-	14.10	19.10	0.62
ASA50H-1	15.875	10.16	9.40	5.08	22.10	23.40	15.09	2.42	-	22.20	30.20	1.25
ASA60H-1	19.050	11.91	12.57	5.94	29.20	31.00	18.00	3.25	-	31.80	42.70	1.87
ASA80H-1	25.400	15.88	15.75	7.92	36.20	37.70	24.00	4.00	-	56.70	71.40	3.10
ASA100H-1	31.750	19.05	18.90	9.53	43.60	46.90	30.00	4.80	-	88.50	112.40	4.52
ASA120H-1	38.100	22.23	25.22	11.10	53.50	57.50	35.70	5.60	-	127.00	160.90	6.60
ASA140H-1	44.450	25.40	25.22	12.70	57.60	62.20	41.00	6.40	-	172.40	217.30	8.30
ASA160H-1	50.800	28.58	31.55	14.27	68.20	73.00	47.80	7.20	-	226.80	285.80	10.30
ASA200H-1	63.500	39.68	37.85	19.85	86.60	93.50	60.00	9.50	-	353.80	444.50	19.16
DUPLEX												
ASA60H-2	19.050	11.91	12.57	5.94	55.30	57.10	18.00	3.25	26.11	63.60	84.50	3.71
ASA80H-2	25.400	15.88	15.75	7.92	68.80	70.30	24.00	4.00	32.59	113.40	145.30	6.15
ASA100H-2	31.750	19.05	18.90	9.53	82.70	86.00	30.00	4.80	39.09	177.00	225.90	9.03
ASA120H-2	38.100	22.23	25.22	11.10	102.40	106.40	35.70	5.60	48.87	254.00	322.70	13.13
ASA140H-2	44.450	25.40	25.22	12.70	109.80	114.40	41.00	6.40	52.20	344.00	437.70	16.60
ASA160H-2	50.800	28.58	31.55	14.27	130.10	134.90	47.80	7.20	61.90	453.60	571.60	20.20
ASA200H-2	63.500	39.68	37.85	19.85	164.90	171.80	60.00	9.50	78.31	707.60	894.90	38.11
TRIPLEX												
ASA60H-3	19.050	11.91	12.57	5.94	81.40	83.20	18.00	3.25	26.11	95.40	113.90	5.54
ASA80H-3	25.400	15.88	15.75	7.92	101.40	102.90	24.00	4.00	32.59	170.10	203.50	9.42
ASA100H-3	31.750	19.05	18.90	9.53	121.80	125.10	30.00	4.80	39.09	265.50	314.80	12.96
ASA120H-3	38.100	22.23	25.22	11.10	151.20	155.20	35.70	5.60	48.87	381.00	444.70	19.64
ASA140H-3	44.450	25.40	25.22	12.70	162.00	166.60	41.00	6.40	52.20	517.20	598.40	24.90
ASA160H-3	50.800	28.58	31.55	14.27	192.00	196.80	47.80	7.20	61.90	680.40	787.30	30.10
ASA200H-3	63.500	39.68	37.85	19.85	243.20	250.10	60.00	9.50	78.31	1061.40	1228.20	57.06

* Denotes straight side plates



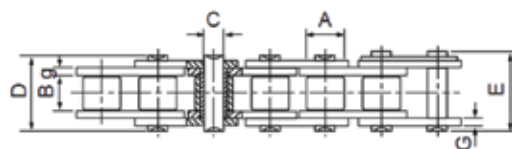
AMERICAN STANDARD STRAIGHT SIDED PLATE ROLLER CHAIN

Part No.	Pitch	Roller Diameter	Width between inner plates	Pin Diameter	Pin Length		Inner Plates Height	Plate thickness	Transverse Pitch	Minimum tensile strength	Average Tensile Strength	Weight per metre
	P mm	A mm	B mm	C mm	D mm	E mm	F mm	g/G mm	H mm	kN mm	kN mm	kg/m
SIMPLEX												
ASA40-1C	12.700	7.95	7.85	3.96	16.60	18.80	12.00	1.50	-	14.10	17.50	0.73
ASA50-1C	15.875	10.16	9.40	5.08	20.70	23.30	15.09	2.03	-	22.20	29.40	1.23
ASA60-1C	19.050	11.91	12.57	5.94	25.90	28.30	18.0/18.2	2.42	-	31.80	41.50	1.81/1.83
ASA80-1C	25.400	15.88	15.75	7.92	32.70	36.50	24.00	3.25	-	56.70	69.40	3.09
ASA100-1C	31.750	19.05	18.90	9.53	40.40	44.70	30.00	4.00	-	88.50	109.20	4.56
ASA120-1C	38.100	22.23	25.22	11.10	50.30	54.30	35.70	4.80	-	127.00	156.30	6.86
ASA140-1C	44.450	25.40	25.22	12.70	54.40	59.00	41.00	5.60	-	172.40	212.00	8.49
ASA160-1C	50.800	28.58	31.55	14.27	64.80	69.60	47.80	6.40	-	226.80	278.90	11.50
DUPLEX												
ASA40-2C	12.700	7.95	7.85	3.96	31.00	33.20	12.00	1.50	14.38	28.20	35.90	1.43
ASA50-2C	15.875	10.16	9.40	5.08	38.90	41.40	15.09	2.03	18.11	44.40	58.10	2.42
ASA60-2C	19.050	11.91	12.57	5.94	48.80	51.10	18.0/18.2	2.42	22.78	63.60	82.10	3.58/3.62
ASA80-2C	25.400	15.88	15.75	7.92	62.70	65.80	24.00	3.25	29.29	113.40	141.80	6.12
ASA100-2C	31.750	19.05	18.90	9.53	76.40	80.50	30.00	4.00	35.76	177.00	219.40	9.08
ASA120-2C	38.100	22.23	25.22	11.10	95.80	99.70	35.70	4.80	45.44	254.00	314.90	13.60
ASA140-2C	44.450	25.40	25.22	12.70	103.30	107.90	41.00	5.60	48.87	344.80	427.50	16.86
ASA160-2C	50.800	28.58	31.55	14.27	123.30	128.10	47.80	6.40	58.55	453.60	562.40	22.90
TRIPLEX												
ASA40-3C	12.700	7.95	7.85	3.96	45.40	47.60	12.00	1.50	14.38	42.30	50.00	2.14
ASA50-3C	15.875	10.16	9.40	5.08	57.00	59.50	15.09	2.03	18.11	18.11	77.80	3.62
ASA60-3C	19.050	11.91	12.57	5.94	71.50	73.90	18.0/18.2	2.42	22.78	22.78	111.10	5.36/5.41
ASA80-3C	25.400	15.88	15.75	7.92	91.70	95.10	24.00	3.25	29.29	29.29	198.40	9.10
ASA100-3C	31.750	19.05	18.90	9.53	112.20	116.30	30.00	4.00	35.76	35.76	309.60	13.60
ASA120-3C	38.100	22.23	25.22	11.10	141.40	145.20	35.70	4.80	45.44	45.44	437.20	20.43
ASA140-3C	44.450	25.40	25.22	12.70	152.20	156.80	41.00	5.60	48.87	48.87	593.30	25.23
ASA160-3C	50.800	28.58	31.55	14.27	181.80	186.60	47.80	6.40	58.55	58.55	780.60	34.19



BRITISH STANDARD STRAIGHT SIDED PLATE ROLLER CHAIN

Part No.	Pitch	Roller Diameter	Width between inner plates	Pin Diameter	Pin Length		Inner Plates Height	Plate thickness	Transverse Pitch	Minimum tensile strength	Average Tensile Strength	Weight per metre
	P mm	A mm	B mm	C mm	D mm	E mm	F mm	g/G mm	H mm	kN mm	kN mm	kg/m
SIMPLEX												
08B-1C	12.700	8.51	7.75	4.45	16.70	18.20	11.80	1.60	-	18.00	19.50	0.80
10B-1C	15.875	10.16	9.65	5.08	19.50	20.90	14.70	1.70	-	22.40	27.90	1.06
12B-1C	19.050	12.07	11.68	5.72	22.50	25.20	16.00	1.85	-	29.00	32.20	1.32
16B-1C	25.400	15.88	17.02	8.28	36.10	39.10	21.0/24.0	4.15/3.1	-	60.00	72.80	3.08/3.49
20B-1C	31.750	19.05	19.56	10.19	41.30	45.00	26.40	4.5/3.5	-	95.00	106.70	4.16
24B-1C	38.100	25.40	25.40	14.63	53.40	57.80	33.20	6.0/4.8	-	160.00	178.00	7.47
28B-1C	44.500	27.94	30.99	15.90	65.10	69.50	36.70	7.5/6.0	-	200.00	222.00	9.90
32B-1C	50.800	29.21	30.99	17.81	66.00	71.00	42.00	7.0/6.0	-	250.00	277.50	10.45
DUPLEX												
08B-2C	12.700	8.51	7.75	4.45	31.20	32.20	11.80	1.60	13.92	32.00	38.70	1.45
10B-2C	15.875	10.16	9.65	5.08	36.10	37.50	14.70	1.70	16.59	44.50	57.80	2.00
12B-2C	19.050	12.07	11.68	5.72	42.00	44.70	16.00	1.85	19.46	57.80	66.10	2.62
16B-2C	25.400	15.88	17.02	8.28	68.00	71.00	21.0/24.0	4.15/3.1	31.88	106.00	133.00	6.10/6.92
20B-2C	31.750	19.05	19.56	10.19	77.80	81.50	26.40	4.5/3.5	36.45	170.00	211.20	8.23
24B-2C	38.100	25.40	25.40	14.63	101.70	106.20	33.20	6.0/4.8	48.36	280.00	319.20	14.77
28B-2C	44.500	27.94	30.99	15.90	124.60	129.10	36.70	7.5/6.0	59.56	360.00	406.80	19.82
32B-2C	50.800	29.21	30.99	17.81	124.60	129.60	42.00	7.0/6.0	58.55	450.00	508.50	20.94
TRIPLEX												
08B-3C	12.700	8.51	7.75	4.45	45.10	46.10	11.80	1.60	13.92	47.50	57.80	2.10
10B-3C	15.875	10.16	9.65	5.08	52.70	54.10	14.70	1.70	16.59	66.70	84.50	2.87
12B-3C	19.050	12.07	11.68	5.72	61.50	64.20	16.00	1.85	19.46	86.70	101.80	3.89
16B-3C	25.400	15.88	17.02	8.28	99.80	102.90	21.0/24.0	4.15/3.1	31.88	160.00	203.70	9.12/10.34
20B-3C	31.750	19.05	19.56	10.19	114.20	117.90	26.40	4.5/3.5	36.45	250.00	290.00	11.34
24B-3C	38.100	25.40	25.40	14.63	150.10	154.60	33.20	6.0/4.8	48.36	425.00	493.00	22.10
28B-3C	44.500	27.94	30.99	15.90	184.20	188.70	36.70	7.5/6.0	59.56	530.00	609.50	29.64
32B-3C	50.800	29.21	30.99	17.81	183.20	188.20	42.00	7.0/6.0	58.55	670.00	750.50	31.27



STAINLESS STEEL ROLLER CHAIN

ISO Chain No.	ASA Chain No.	Pitch	Roller Diameter	Width between inner plates	Pin Diameter	Pin Length		Inner Plates Height	Plate thickness	Minimum tensile strength	Average Tensile Strength	Weight per metre
		P mm	A mm	B mm	C mm	D mm	E mm	F mm	g/G mm	kN mm	kN mm	kg/m
	AS*35SS	9.525	5.08	4.77	3.58	12.40	13.17	9.00	1.30	5.50	6.60	0.33
	ASA40SS	12.700	7.95	7.85	3.96	16.60	17.80	12.00	1.50	9.60	10.80	0.63
	ASA50SS	15.875	10.16	9.40	5.08	20.70	22.20	15.09	2.03	15.20	17.20	1.03
	ASA60SS	19.050	11.91	12.57	5.94	25.90	27.70	18.00	2.42	21.70	26.40	1.51
	ASA80SS	25.400	15.88	15.75	7.92	32.70	35.00	24.00	3.25	38.90	46.60	2.62
	ASA100SS	31.750	19.05	18.90	9.53	40.00	44.70	30.00	4.00	60.00	70.20	3.94
04BSS		6.000	4.00	2.80	1.85	6.80	7.80	5.00	0.60	2.00	2.40	0.11
05BSS		8.000	5.00	3.00	2.31	8.20	8.90	7.10	0.80	3.50	4.10	0.20
06BSS*		9.525	6.35	5.72	3.28	13.15	14.10	8.20	1.30	6.20	6.80	0.41
08BSS		12.700	8.51	7.75	4.45	16.70	18.20	11.80	1.60	12.00	14.30	0.70
10BSS		15.875	10.16	9.65	5.08	19.50	20.90	14.70	1.70	14.50	17.20	0.94
12BSS		19.050	12.07	11.68	5.72	22.50	24.20	16.00	1.85	18.50	20.90	1.16
16BSS		25.400	15.88	17.02	8.28	36.10	37.40	21.00	4.15/3.1	40.00	47.60	2.73
20BSS		31.750	19.05	19.56	10.19	41.30	45.00	26.40	4.5/3.5	59.00	69.60	3.73

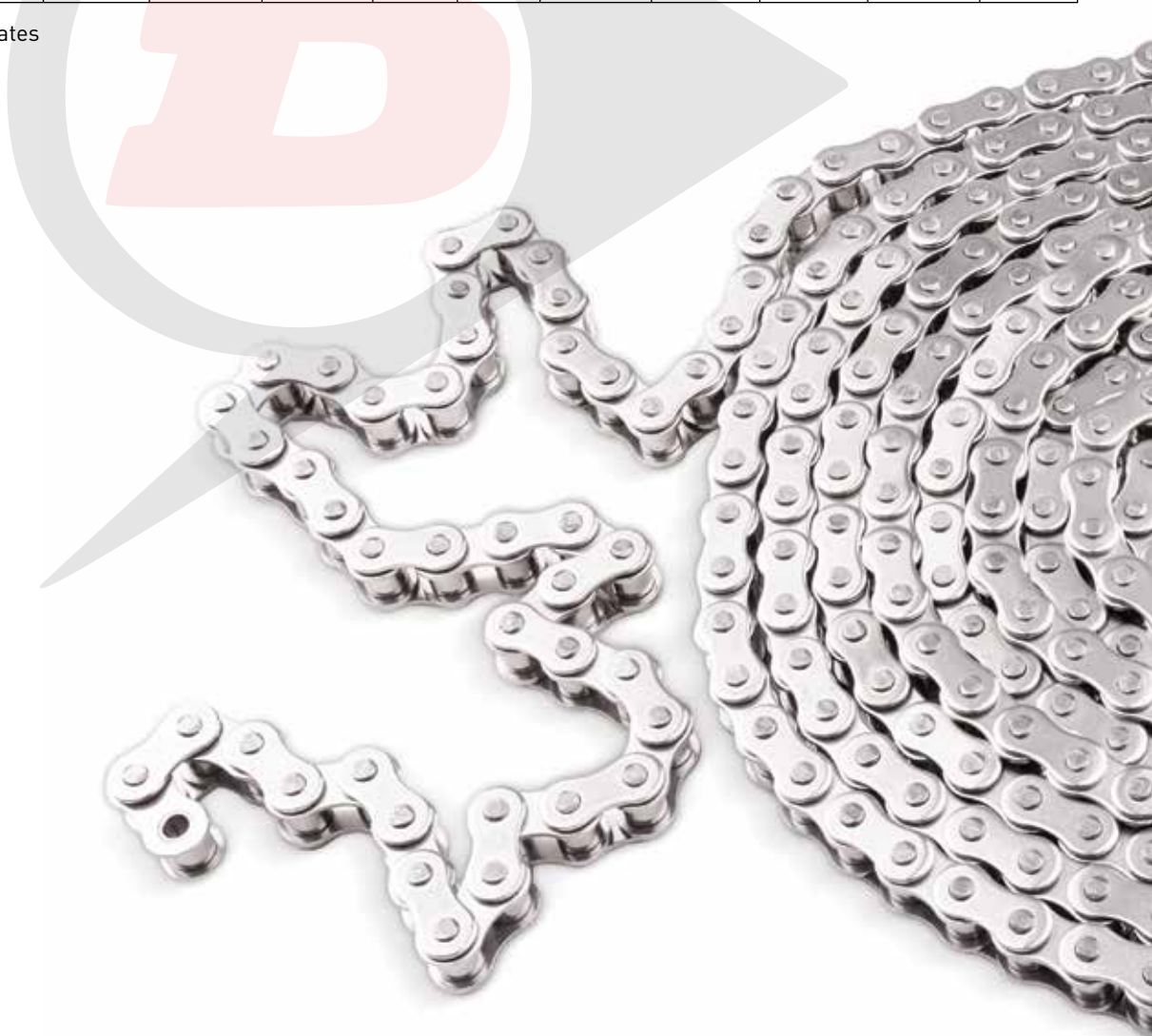
NICKEL PLATED ROLLER CHAIN

ISO Chain No.	ASA Chain No.	Pitch	Roller Diameter	Width between inner plates	Pin Diameter	Pin Length		Inner Plates Height	Plate thickness	Minimum tensile strength	Average Tensile Strength	Weight per metre
		P mm	A mm	B mm	C mm	D mm	E mm	F mm	g/G mm	kN mm	kN mm	kg/m
-	25NP*	6.350	3.30	3.18	2.31	7.90	8.40	6.00	0.80	3.50	4.60	0.15
-	35NP*	9.525	5.08	4.77	3.58	12.40	13.17	9.00	1.30	7.90	10.80	0.33
-	41NP	12.700	7.77	6.25	3.58	13.75	15.00	9.91	1.30	6.67	12.60	0.41
-	40NP	12.700	7.95	7.85	3.96	16.60	17.80	12.00	1.50	14.10	17.50	0.62
-	50NP	15.875	10.16	9.40	5.08	20.70	22.20	15.09	2.03	22.20	29.40	1.02
-	60NP	19.050	11.91	12.57	5.94	25.90	27.70	18.00	2.42	31.80	41.50	1.50
-	80NP	24.400	15.88	15.75	7.92	32.70	35.00	24.00	3.25	56.70	69.40	2.60
-	100NP	31.750	19.05	18.90	9.53	40.40	44.70	30.00	4.00	88.50	109.20	3.91
04BNP	-	6.000	4.00	2.80	1.85	6.80	7.80	5.00	0.60	3.00	3.20	0.11
05BNP	-	8.000	5.00	3.00	2.31	8.20	8.90	7.10	0.80	5.00	5.90	0.20
06BNP*	-	9.525	6.35	5.72	3.28	13.15	14.10	8.20	1.30	9.00	10.40	0.41
08BNP	-	12.700	8.51	7.75	4.45	16.70	18.20	11.80	1.60	18.00	19.40	0.69
10BNP	-	15.875	10.16	9.65	5.08	19.50	20.90	14.70	1.70	22.40	27.50	0.93
12BNP	-	19.050	12.07	11.68	5.72	22.50	24.20	16.00	1.85	29.00	32.20	1.15
16BNP	-	25.400	15.88	17.02	8.28	36.10	37.40	21.00	4.15/3.1	60.00	72.80	2.71
20BNP	-	31.750	19.05	19.56	10.19	41.30	45.00	26.40	4.5/3.5	95.00	106.70	3.70

ZINC PLATED ROLLER CHAIN

ISO Chain No.	ASA Chain No.	Pitch	Roller Diameter	Width between inner plates	Pin Diameter	Pin Length		Inner Plates Height	Plate thickness	Minimum tensile strength	Average Tensile Strength	Weight per metre
		P mm	A mm	B mm	C mm	D mm	E mm	F mm	g/G mm	kN mm	kN mm	kg/m
-	25ZP*	6.350	3.30	3.18	2.31	7.90	8.40	6.00	0.80	3.50	4.60	0.14
-	35ZP*	9.525	5.08	4.77	3.58	12.40	13.17	9.00	1.30	7.90	10.80	0.33
-	41ZP	12.700	7.77	6.25	3.58	13.75	15.00	9.91	1.30	6.67	12.60	0.41
-	40ZP	12.700	7.95	7.85	3.96	16.60	17.80	12.00	1.50	14.10	17.50	0.62
-	50ZP	15.875	10.16	9.40	5.08	20.70	22.20	15.09	2.03	22.20	29.40	1.02
-	60ZP	19.050	11.91	12.57	5.94	25.90	27.70	18.00	2.42	31.80	41.50	1.50
-	80ZP	24.400	15.88	15.75	7.92	32.70	35.00	24.00	3.25	56.70	69.40	2.60
-	100ZP	31.750	19.05	18.90	9.53	40.40	44.70	30.00	4.00	88.50	109.20	3.91
04BZP	-	6.000	4.00	2.80	1.85	6.80	7.80	5.00	0.60	3.00	3.20	0.11
05BZP	-	8.000	5.00	3.00	2.31	8.20	8.90	7.10	0.80	5.00	5.90	0.20
06BZP*	-	9.525	6.35	5.72	3.28	13.15	14.10	8.20	1.30	9.00	10.40	0.41
08BZP	-	12.700	8.51	7.75	4.45	16.70	18.20	11.80	1.60	18.00	19.40	0.69
10BZP	-	15.875	10.16	9.65	5.08	19.50	20.90	14.70	1.70	22.40	27.50	0.93
12BZP	-	19.050	12.07	11.68	5.72	22.50	24.20	16.00	1.85	29.00	32.20	1.15
16BZP	-	25.400	15.88	17.02	8.28	36.10	37.40	21.00	4.15/3.1	60.00	72.80	2.71
20BZP	-	31.750	19.05	19.56	10.19	41.30	45.00	26.40	4.5/3.5	95.00	106.70	3.70

* Denotes straight side plates





English



Español



Italiano



Deutsch



Français



Nederlands



Polskie

Pilot Bore Sprockets Steel

171

Piloto llevaba piñones acero • Pignoni in acciaio foro pilota
 Pilot trug Kettenräder Stahl • Préalésage pignons en acier
 Pilot boring tandkransen staal • Pilot lufie stalowe koła zębate

Pilot Bore Sprockets Cast Iron

185

Piloto llevaba piñones de hierro fundido • Foro pilota pignoni in ghisa
 Pilot trug Kettenräder aus Gusseisen • Préalésage pignons en fonte
 Pilot boring kettingwielen gietijzer • zębatkami lufie Pilot żeliwo

Pre Bored Sprockets

189

Pre aburrido piñones • Pre pignoni • Vor Langeweile Kettenräder
 Pré ennuyé pignons • Pre verveeld tandwielen • Pre znudzone zębatek

Stainless Steel Sprockets

200

Piñones de acero inoxidable • Pignoni in acciaio inox • Edelstahl-Kettenräder
 Pignons en acier inoxydable • Roestvrij stalen tandwielen • koła zębate ze stali
 nierdzewnej

Double Simplex Sprockets

202

Doble ruedas dentadas simplex • Doppie ruote dentate simplex
 Doppelte simplex Kettenräder • Doubles pignons simplex • Dubbele simplex
 tandwielen • Podwójne koła łańcuchowe simplex

Taper Bore Sprockets

204

Agujero cónico piñones • Cono del foro pignoni • Konische Bohrung Kettenräder
 Alésage conique pignons • Taper boring tandwielen • koła zębate stożkowe o lufie

Idler Sprockets

209

Piñones de rueda locos • Pignoni folli • Spannrolle Kettenräder
 Pignons tendeurs • Idler tandwielen • Koła napinające



SPROCKETS - PILOT BORE DIN8187-ISO/R 606

Description

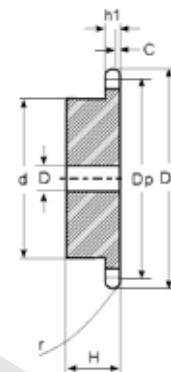
Pilot bore sprockets are manufactured to internationally recognised standards. DIN8187-ISO/R 606 and are produced from C45 steel. They have a black phosphated finish to increase corrosion resistance so extending the sprockets working life. Conveniently stocked with a minimum pilot bore (dimension 'D') they can be machined to suit any suitable mounting requirement. Available from stock to suit British standard roller chains from 04B (6mm pitch) up to 32B (2" pitch) sizes in Simplex (single), Duplex (double) & Triplex (treble) rows of teeth. A full range of plate wheels are also available.

04B Chain
6mm x 2.8mm

Pitch: 6mm
Internal width: 2.8mm
Roller dia: 4mm

Sprocket

Tooth radius r: 6mm
Radius width C: 0.7mm
Tooth width h1: 2.6mm



04B-1

Teeth	De	Dp	Simplex			
			Part No.	d	D	H
8	18.00	15.67	PB104B/08	9.8	5	10
9	19.90	17.54	PB104B/09	11.5	5	10
10	21.70	19.42	PB104B/10	13.0	6	10
11	23.60	21.30	PB104B/11	14.0	6	10
12	25.40	23.18	PB104B/12	16.0	6	10
13	27.30	25.05	PB104B/13	18.0	8	10
14	29.20	26.96	PB104B/14	20.0	8	10
15	31.10	28.86	PB104B/15	20.0	8	10
16	33.00	30.76	PB104B/16	20.0	8	13
17	35.00	32.65	PB104B/17	20.0	8	13
18	36.90	34.55	PB104B/18	20.0	8	13
19	38.80	36.44	PB104B/19	20.0	8	13
20	40.70	38.34	PB104B/20	20.0	8	13
21	42.60	40.25	PB104B/21	25.0	8	13
22	44.50	42.16	PB104B/22	25.0	8	13
23	46.40	44.06	PB104B/23	25.0	8	13
24	48.30	45.96	PB104B/24	25.0	8	13
25	50.20	47.87	PB104B/25	25.0	8	13
26	52.10	49.77	PB104B/26	30.0	8	15
27	54.00	51.67	PB104B/27	30.0	8	15
28	55.90	53.58	PB104B/28	30.0	8	15

04B-1 continued

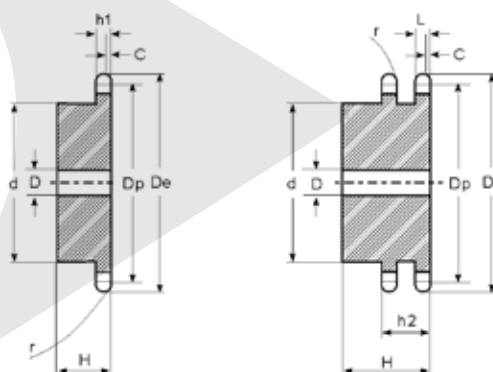
Teeth	De	Dp	Simplex			
			Part No.	d	D	H
29	57.80	55.50	PB104B/29	30.0	8	15
30	59.80	57.42	PB104B/30	30.0	8	15
31	61.70	59.31	PB104B/31	30.0	8	15
32	63.60	61.21	PB104B/32	30.0	8	15
33	65.50	63.11	PB104B/33	30.0	8	15
34	67.40	65.02	PB104B/34	30.0	8	15
35	69.30	66.93	PB104B/35	30.0	8	15
36	71.20	68.84	PB104B/36	30.0	8	15
37	73.10	70.75	PB104B/37	30.0	8	15
38	75.00	72.66	PB104B/38	30.0	8	15
39	76.90	74.56	PB104B/39	30.0	8	15
40	78.90	76.47	PB104B/40	30.0	8	15
45	88.50	86.01	PB104B/45	40.0	10	18
50	98.00	95.55	PB104B/50	50.0	12	20
57	111.40	108.93	PB104B/57	50.0	12	20

05B Chain
8mm x 3mm

Pitch: 8mm
Internal width: 3mm
Roller dia: 5mm

Sprocket

Tooth radius r: 8mm
Radius width C: 1mm
Tooth width h1: 2.8mm
Tooth width L: 2.7mm
Tooth width h: 2:8.3mm



05B-1

05B-2

Teeth	De	Dp	Simplex				Duplex			
			Part No.	d	D	H	Part No.	d	D	H
8	24.00	20.90	PB105B/08	13	6	12	PB205B/08	12	8	18
9	26.60	23.39	PB105B/09	15	6	12	PB205B/09	15	8	18
10	29.20	25.89	PB105B/10	17	8	12	PB205B/10	17	8	18
11	31.70	28.39	PB105B/11	18	8	13	PB205B/11	19	10	18
12	34.20	30.91	PB105B/12	20	8	13	PB205B/12	21	10	18
13	36.70	33.42	PB105B/13	23	8	13	PB205B/13	24	10	18
14	39.20	35.95	PB105B/14	25	8	13	PB205B/14	26	10	18
15	41.70	38.48	PB105B/15	28	8	13	PB205B/15	29	10	18
16	44.30	41.01	PB105B/16	30	8	14	PB205B/16	32	10	20
17	46.80	43.53	PB105B/17	30	8	14	PB205B/17	34	10	20
18	49.30	46.07	PB105B/18	30	8	14	PB205B/18	37	10	20
19	51.90	48.61	PB105B/19	30	8	14	PB205B/19	39	10	20

05B-1 continued

05B-2 continued

Teeth	De	Dp	Simplex				Duplex			
			Part No.	d	D	H	Part No.	d	D	H
20	54.40	51.14	PB105B/20	30	8	14	PB205B/20	40	10	20
21	57.00	53.67	PB105B/21	35	8	14	PB205B/21	40	10	20
22	59.50	56.21	PB105B/22	35	8	14	PB205B/22	40	10	20
23	62.00	57.75	PB105B/23	35	8	14	PB205B/23	40	10	20
24	64.60	61.29	PB105B/24	35	8	14	PB205B/24	40	10	20
25	67.50	63.83	PB105B/25	35	8	14	PB205B/25	40	10	20
26	69.50	66.37	PB105B/26	40	10	16	PB205B/26	50	12	22
27	72.20	68.91	PB105B/27	40	10	16	PB205B/27	50	12	22
28	74.80	71.45	PB105B/28	40	10	16	PB205B/28	50	12	22
29	77.30	73.99	PB105B/29	40	10	16	PB205B/29	50	12	22
30	79.80	76.53	PB105B/30	40	10	16	PB205B/30	50	12	22
31	82.40	79.08	PB105B/31	40	10	16	PB205B/31	60	12	22
32	84.90	81.61	PB105B/32	40	10	16	PB205B/32	60	12	22
33	87.50	84.16	PB105B/33	40	10	16	PB205B/33	60	12	22
34	90.00	86.70	PB105B/34	40	10	16	PB205B/34	60	12	22
35	92.50	89.24	PB105B/35	40	10	16	PB205B/35	60	12	22
36	95.00	91.79	PB105B/36	40	10	16	PB205B/36	60	12	22
37	97.60	94.33	PB105B/37	40	10	16	PB205B/37	60	12	22
38	100.20	96.88	PB105B/38	40	10	16	PB205B/38	60	12	22
39	102.70	99.42	PB105B/39	40	10	16	PB205B/39	60	12	22
40	105.20	101.97	PB105B/40	40	10	16	PB205B/40	60	12	22
45	118.00	114.69	PB105B/45	60	20	20				
50	130.70	127.41	PB105B/50	60	20	20				
57	148.60	145.22	PB105B/57	80	20	20				
76	197.70	193.59	PB105B/76	80	25	25				

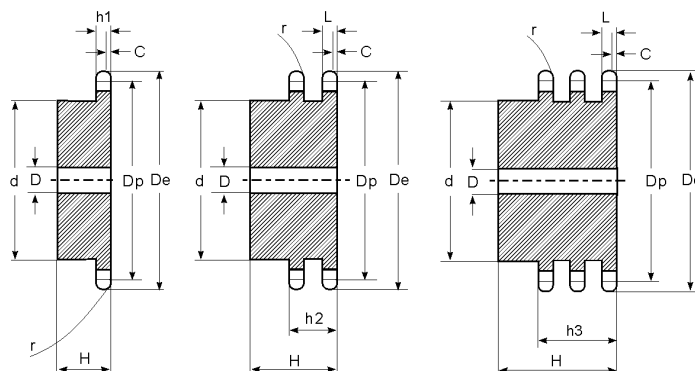


06B Chain
3/8" x 7/32"

Pitch: 9.525mm
Internal width: 5.72mm
Roller dia: 6.35mm

Sprocket

Tooth radius: 10mm
Radius width C: 1mm
Tooth width h1: 5.3mm
Tooth width L: 5.2mm
Tooth width h2: 15.4mm
Tooth width h3: 25.6mm



06B-1 (3SR)

06B-2 (3DR)

06B-3 (3TR)

Teeth	De	Dp	Simplex			Duplex			Triplex					
			Part No.	d	D	H	Part No.	d	D	H	Part No.	d	D	H
8	28.00	24.89	3SR08	15	8	22	3DR08	15	6	22	3TR08	15	6	32
9	31.00	27.85	3SR09	18	8	22	3DR09	18	8	22	3TR09	18	8	32
10	34.00	30.82	3SR10	20	8	22	3DR10	20	8	22	3TR10	20	10	32
11	37.00	33.80	3SR11	22	8	25	3DR11	22	10	25	3TR11	22	10	35
12	40.00	36.80	3SR12	25	8	25	3DR12	25	10	25	3TR12	25	10	35
13	43.00	39.80	3SR13	28	10	25	3DR13	28	10	25	3TR13	28	10	35
14	46.30	42.80	3SR14	31	10	25	3DR14	31	10	25	3TR14	31	12	35
15	49.30	45.81	3SR15	34	10	25	3DR15	34	10	25	3TR15	34	12	35
16	52.30	48.82	3SR16	37	10	28	3DR16	37	12	30	3TR16	37	12	35
17	55.30	51.83	3SR17	40	10	28	3DR17	40	12	30	3TR17	40	12	35
18	58.30	54.85	3SR18	43	10	28	3DR18	43	12	30	3TR18	43	12	35
19	61.30	57.87	3SR19	45	10	28	3DR19	46	12	30	3TR19	46	12	35
20	64.30	60.89	3SR20	46	10	28	3DR20	49	12	30	3TR20	49	12	35
21	68.00	63.91	3SR21	48	12	28	3DR21	52	12	30	3TR21	52	14	40
22	71.00	66.93	3SR22	50	12	28	3DR22	55	12	30	3TR22	55	14	40
23	73.50	69.95	3SR23	52	12	28	3DR23	58	12	30	3TR23	58	14	40
24	77.00	72.97	3SR24	54	12	28	3DR24	61	12	30	3TR24	61	14	40
25	80.00	76.00	3SR25	57	12	28	3DR25	64	12	30	3TR25	64	14	40
26	83.00	79.02	3SR26	60	12	28	3DR26	67	12	30	3TR26	67	14	40
27	86.00	82.04	3SR27	60	12	28	3DR27	70	12	30	3TR27	70	14	40
28	89.00	85.07	3SR28	60	12	28	3DR28	73	12	30	3TR28	73	14	40
29	92.00	88.09	3SR29	60	12	28	3DR29	76	12	30	3TR29	76	14	40
30	94.70	91.12	3SR30	60	12	28	3DR30	79	12	30	3TR30	79	14	40
31	98.30	94.15	3SR31	65	14	30	3DR31	80	16	30	3TR31	80	116	40
32	101.30	97.17	3SR32	65	14	30	3DR32	80	16	30	3TR32	80	16	40
33	104.30	100.20	3SR33	65	14	30	3DR33	80	16	30	3TR33	80	16	40
34	107.30	103.23	3SR34	65	14	30	3DR34	80	16	30	3TR34	85	16	40
35	110.40	106.26	3SR35	65	14	30	3DR35	80	16	30	3TR35	85	16	40
36	113.40	109.29	3SR36	70	16	30	3DR36	90	16	30	3TR36	90	16	40
37	116.40	112.32	3SR37	70	16	30	3DR37	90	16	30	3TR37	90	16	40
38	119.50	115.34	3SR38	70	16	30	3DR38	90	16	30	3TR38	90	16	40
39	122.50	118.37	3SR39	70	16	30	3DR39	90	16	30	3TR39	90	16	40
40	125.50	121.40	3SR40	70	16	30	3DR40	90	16	30	3TR40	90	16	40

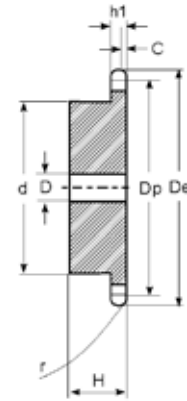
Plate wheels are also available part no. 3SR08PW etc.

081 Chain
1/2" x 1/8"

Pitch: 12.7mm
Internal width: 3.3mm
Roller dia: 7.75mm

Sprocket

Tooth radius: 13mm
Radius width C: 1mm
Tooth width h1: 3mm



081-1

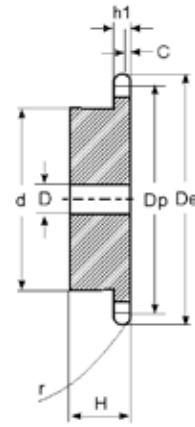
Teeth	De	Dp	Simplex			
			Part No.	d	D	H
8	37.20	33.18	PB081/08	21	8	14
9	41.50	37.13	PB081/09	25	8	14
10	46.20	41.10	PB081/10	28	8	14
11	49.60	45.07	PB081/11	31	8	16
12	53.90	49.07	PB081/12	35	8	16
13	58.40	53.06	PB081/13	39	8	16
14	62.80	57.07	PB081/14	43	8	16
15	66.80	61.09	PB081/15	47	8	16
16	70.90	65.10	PB081/16	50	10	18
17	74.90	69.11	PB081/17	50	10	18
18	78.90	73.14	PB081/18	50	10	18
19	82.90	77.16	PB081/19	50	10	18
20	86.90	81.19	PB081/20	50	10	18
21	91.00	85.22	PB081/21	60	12	20
22	95.00	89.24	PB081/22	60	12	20
23	99.00	93.27	PB081/23	60	12	20
24	103.00	97.29	PB081/24	60	12	20
25	107.10	101.33	PB081/25	60	12	20
26	111.20	105.36	PB081/26	70	16	20
27	115.40	109.40	PB081/27	70	16	20
28	119.40	113.42	PB081/28	70	16	20
29	123.40	117.46	PB081/29	70	16	20
30	127.50	121.50	PB081/30	70	16	20
31	131.50	125.54	PB081/31	70	16	20
32	135.50	129.56	PB081/32	70	16	20
33	139.60	133.60	PB081/33	70	16	20
34	143.60	137.64	PB081/34	70	16	20
35	147.60	141.68	PB081/35	70	16	20
36	151.70	145.72	PB081/36	70	16	25
37	155.70	149.76	PB081/37	70	16	25
38	159.80	153.80	PB081/38	70	16	25
39	163.80	157.83	PB081/39	70	16	25
40	167.80	161.87	PB081/40	70	16	25

083 Chain
1/2" x 3/16"

Pitch: 12.7mm
Internal width: 4.88mm
Roller dia: 7.75mm

Sprocket

Tooth radius: 13mm
Radius width C: 1.3mm
Tooth width h1: 4.5mm



083-1

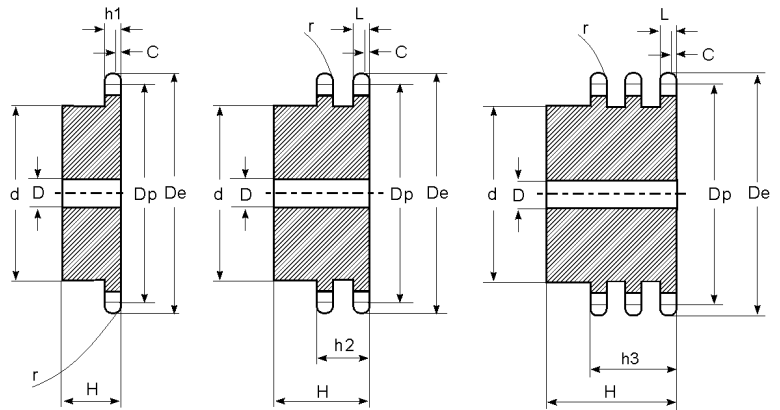
Teeth	De	Dp	Simplex			
			Part No.	d	D	H
8	37.20	33.18	PB083/08	21	8	14
9	41.50	37.13	PB083/09	25	8	14
10	46.20	41.10	PB083/10	28	8	14
11	49.60	45.07	PB083/11	31	8	16
12	53.90	49.07	PB083/12	35	8	16
13	58.40	53.06	PB083/13	39	8	16
14	62.80	57.07	PB083/14	43	8	16
15	66.80	61.09	PB083/15	47	8	16
16	70.90	65.10	PB083/16	50	10	18
17	74.90	69.11	PB083/17	50	10	18
18	78.90	73.14	PB083/18	50	10	18
19	82.90	77.16	PB083/19	50	10	18
20	86.90	81.19	PB083/20	50	10	18
21	91.00	85.22	PB083/21	60	12	20
22	95.00	89.24	PB083/22	60	12	20
23	99.00	93.27	PB083/23	60	12	20
24	103.00	97.29	PB083/24	60	12	20
25	107.10	101.33	PB083/25	60	12	20
26	111.20	105.36	PB083/26	70	16	20
27	115.40	109.40	PB083/27	70	16	20
28	119.40	113.42	PB083/28	70	16	20
29	123.40	117.46	PB083/29	70	16	20
30	127.50	121.50	PB083/30	70	16	20
31	131.50	125.54	PB083/31	70	16	20
32	135.50	129.56	PB083/32	70	16	20
33	139.60	133.60	PB083/33	70	16	20
34	143.60	137.64	PB083/34	70	16	20
35	147.60	141.68	PB083/35	70	16	20
36	151.70	145.72	PB083/36	70	16	25
37	155.70	149.76	PB083/37	70	16	25
38	159.80	153.80	PB083/38	70	16	25
39	163.80	157.83	PB083/39	70	16	25
40	167.80	161.87	PB083/40	70	16	25

08B Chain
1/2" x 5/16"

Pitch: 12.7mm
Internal width: 7.75mm
Roller dia: 8.51mm

Sprocket

Tooth radius r: 13mm
Radius width C: 1.3mm
Tooth width h1: 7.2mm
Tooth width L: 7mm
Tooth width h2: 21mm
Tooth width h3: 34.9mm



08B-1 (4SR)

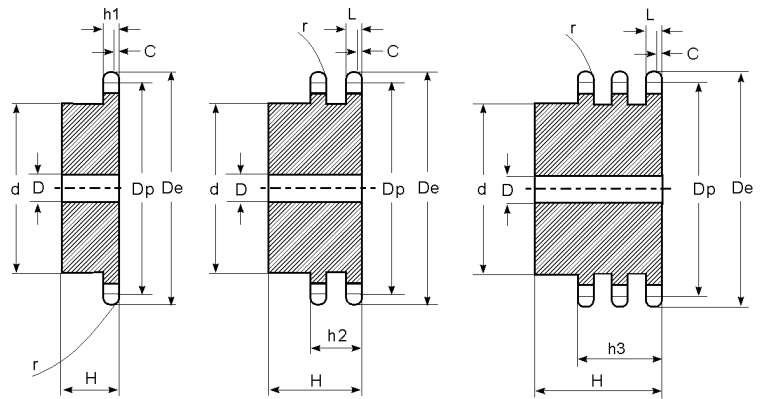
08B-2 (4DR)

08B-3 (4TR)

Teeth	De	Dp	Simplex			Duplex			Triplex					
			Part No.	d	D	H	Part No.	d	D	H	Part No.	d	D	H
8	37.2	33.2	4SR08	20	10	22	4DR08	20	10	32	4TR08	20	10	46
9	41.0	37.1	4SR09	24	10	22	4DR09	24	10	32	4TR09	24	12	46
10	45.2	41.1	4SR10	26	10	22	4DR10	28	10	32	4TR10	28	12	46
11	48.7	45.1	4SR11	29	10	25	4DR11	32	12	35	4TR11	32	14	50
12	53.0	49.1	4SR12	33	10	25	4DR12	35	12	35	4TR12	35	14	50
13	57.4	53.1	4SR13	37	10	25	4DR13	38	12	35	4TR13	38	14	50
14	61.8	57.1	4SR14	41	10	25	4DR14	42	12	35	4TR14	42	14	50
15	65.5	61.1	4SR15	45	10	25	4DR15	46	12	35	4TR15	46	14	50
16	69.5	65.1	4SR16	50	12	28	4DR16	50	14	35	4TR16	50	16	50
17	73.6	69.1	4SR17	52	12	28	4DR17	54	14	35	4TR17	54	16	50
18	77.8	73.1	4SR18	56	12	28	4DR18	58	14	35	4TR18	58	16	50
19	81.7	77.2	4SR19	60	12	28	4DR19	62	14	35	4TR19	62	16	50
20	85.8	81.2	4SR20	64	12	28	4DR20	66	14	35	4TR20	66	16	50
21	89.7	85.2	4SR21	68	12	28	4DR21	70	16	40	4TR21	70	20	55
22	93.8	89.2	4SR22	70	12	28	4DR22	70	16	40	4TR22	70	20	55
23	98.2	93.3	4SR23	70	14	28	4DR23	70	16	40	4TR23	70	20	55
24	101.8	97.3	4SR24	70	14	28	4DR24	75	16	40	4TR24	75	20	55
25	105.8	101.3	4SR25	70	14	28	4DR25	80	16	40	4TR25	80	20	55
26	110.0	105.4	4SR26	70	16	28	4DR26	85	20	40	4TR26	85	20	55
27	114.00	109.40	4SR27	70	16	28	4DR27	85	20	40	4TR27	85	20	55
28	118.00	113.42	4SR28	70	16	28	4DR28	90	20	40	4TR28	90	20	55
29	122.00	117.46	4SR29	80	16	28	4DR29	95	20	40	4TR29	95	20	55
30	126.10	121.50	4SR30	80	16	28	4DR30	100	20	40	4TR30	100	20	55
31	130.20	125.54	4SR31	90	16	30	4DR31	100	20	40	4TR31	110	20	55
32	134.30	129.56	4SR32	90	16	30	4DR32	100	20	40	4TR32	110	20	55
33	138.40	133.60	4SR33	90	16	30	4DR33	100	20	40	4TR33	110	20	55
34	142.60	137.64	4SR34	90	16	30	4DR34	100	20	40	4TR34	110	20	55
35	146.70	141.68	4SR35	90	16	30	4DR35	100	20	40	4TR35	110	20	55
36	151.00	145.72	4SR36	90	16	30	4DR36	110	20	40	4TR36	120	25	55
37	154.60	149.76	4SR37	90	16	30	4DR37	110	20	40	4TR37	120	25	55
38	158.60	153.80	4SR38	90	16	30	4DR38	110	20	40	4TR38	120	25	55
39	162.70	157.83	4SR39	90	16	30	4DR39	110	20	40	4TR39	120	25	55
40	166.80	161.87	4SR40	90	16	30	4DR40	110	20	40	4TR40	120	25	55

10B Chain Pitch: 15.875mm
5/8" x 3/8" Internal width: 9.65mm
 Roller dia: 10.16mm

Sprocket Tooth radius r: 16mm
 Radius width C: 1.6mm
 Tooth width h1: 9.1mm
 Tooth width L: 9mm
 Tooth width h2: 25.5mm
 Tooth width h3: 42.1mm



10B-1 (5SR)

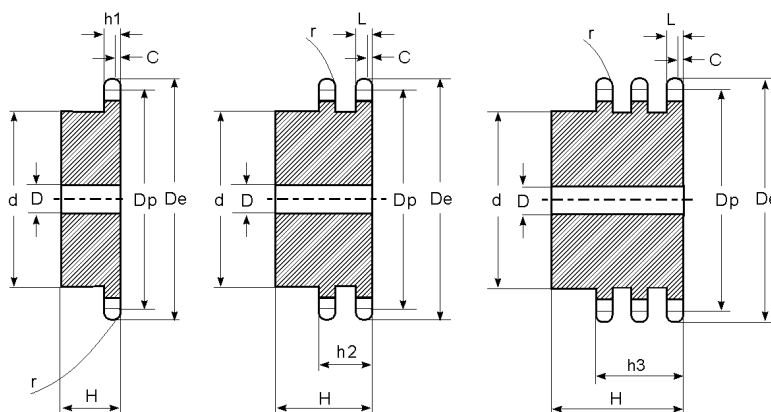
10B-2 (5DR)

10B3 (5TR)

Teeth	De	Dp	Simplex			Duplex			Triplex					
			Part No.	d	D	H	Part No.	d	D	H	Part No.	d	D	H
8	47.00	41.48	5SR08	25	10	25	5DR08	25	12	40	5TR08	25	12	55
9	52.60	46.42	5SR09	30	10	25	5DR09	30	12	40	5TR09	30	12	55
10	57.50	51.37	5SR10	35	10	25	5DR10	35	12	40	5TR10	35	16	55
11	63.00	56.34	5SR11	37	12	30	5DR11	39	14	40	5TR11	39	16	55
12	68.00	61.34	5SR12	42	12	30	5DR12	44	14	40	5TR12	44	16	55
13	73.00	66.32	5SR13	47	12	30	5DR13	49	14	40	5TR13	49	16	55
14	78.00	71.34	5SR14	52	12	30	5DR14	54	14	40	5TR14	54	16	55
15	83.00	76.36	5SR15	57	12	30	5DR15	59	14	40	5TR15	59	16	55
16	88.00	81.37	5SR16	60	12	30	5DR16	64	16	45	5TR16	64	16	60
17	93.00	86.39	5SR17	60	12	30	5DR17	69	16	45	5TR17	69	16	60
18	98.30	91.42	5SR18	70	14	30	5DR18	74	16	45	5TR18	74	16	60
19	103.30	96.45	5SR19	70	14	30	5DR19	79	16	45	5TR19	79	16	60
20	108.40	101.49	5SR20	75	14	30	5DR20	84	16	45	5TR20	84	16	60
21	113.40	106.52	5SR21	75	16	30	5DR21	85	16	45	5TR21	85	20	60
22	118.00	111.55	5SR22	80	16	30	5DR22	90	16	45	5TR22	90	20	60
23	123.40	116.58	5SR23	80	16	30	5DR23	95	16	45	5TR23	95	20	60
24	128.30	121.62	5SR24	80	16	30	5DR24	100	16	45	5TR24	100	20	60
25	134.00	126.66	5SR25	80	16	30	5DR25	105	16	45	5TR25	105	20	60
26	139.00	131.70	5SR26	85	20	35	5DR26	110	20	45	5TR26	110	20	60
27	144.00	136.75	5SR27	85	20	35	5DR27	110	20	45	5TR27	110	20	60
28	148.70	141.78	5SR28	90	20	35	5DR28	115	20	45	5TR28	115	20	60
29	153.80	146.83	5SR29	90	20	35	5DR29	115	20	45	5TR29	115	20	60
30	158.80	151.87	5SR30	90	20	35	5DR30	120	20	45	5TR30	120	20	60
31	163.90	156.92	5SR31	95	20	35	5DR31	120	20	45	5TR31	120	20	60
32	168.90	161.95	5SR32	95	20	35	5DR32	120	20	45	5TR32	120	20	60
33	174.50	167.00	5SR33	95	20	35	5DR33	120	20	45	5TR33	120	20	60
34	179.00	172.05	5SR34	95	20	35	5DR34	120	20	45	5TR34	120	20	60
35	184.10	177.10	5SR35	95	20	35	5DR35	120	20	45	5TR35	120	20	60
36	189.10	182.15	5SR36	100	20	35	5DR36	120	20	45	5TR36	120	25	60
37	194.20	187.20	5SR37	100	20	35	5DR37	120	20	45	5TR37	120	25	60
38	199.20	192.24	5SR38	100	20	35	5DR38	120	20	45	5TR38	120	25	60
39	204.20	197.29	5SR39	100	20	35	5DR39	120	20	45	5TR39	120	25	60
40	209.30	202.34	5SR40	100	20	35	5DR40	120	20	45	5TR40	120	25	60

12B Chain Pitch: 19.05mm
3/4" x 7/16" Internal width: 11.68mm
 Roller dia: 12.07mm

Sprocket Tooth radius r: 19mm
 Radius width C: 2mm
 Tooth width h1: 11.1mm
 Tooth width L: 10.8mm
 Tooth width h2: 30.3mm
 Tooth width h3: 49.8mm



12B-1 (6SR)

12B-2 (6DR)

12B-3 (6TR)

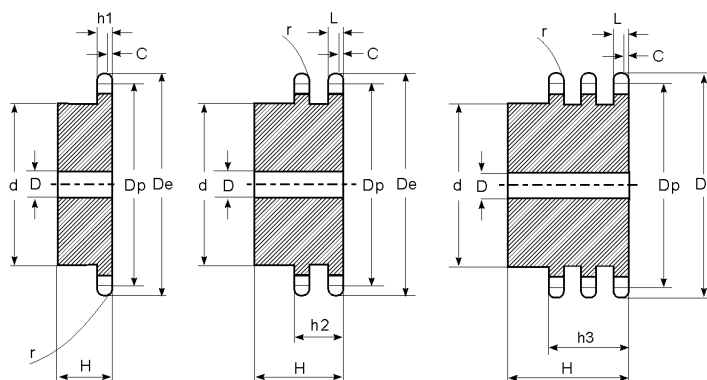
Teeth	De	Dp	Simplex			Duplex			Triplex					
			Part No.	d	D	H	Part No.	d	D	H	Part No.	d	D	H
8	57.6	49.8	6SR08	31	12	30	6DR08	31	12	45	6TR08	31	16	65
9	62.0	55.7	6SR09	37	12	30	6DR09	37	12	45	6TR09	37	16	65
10	69.0	61.6	6SR10	42	12	30	6DR10	42	12	45	6TR10	42	16	65
11	75.0	67.6	6SR11	46	14	35	6DR11	47	16	50	6TR11	47	20	70
12	81.5	73.6	6SR12	52	14	35	6DR12	53	16	50	6TR12	53	20	70
13	87.5	79.6	6SR13	58	14	35	6DR13	59	16	50	6TR13	59	20	70
14	93.6	85.6	6SR14	64	14	35	6DR14	65	16	50	6TR14	65	20	70
15	99.8	91.6	6SR15	70	14	35	6DR15	71	16	50	6TR15	71	20	70
16	105.5	97.7	6SR16	75	16	35	6DR16	77	20	50	6TR16	77	20	70
17	111.5	103.7	6SR17	80	16	35	6DR17	83	20	50	6TR17	89	20	70
18	118.0	109.7	6SR18	80	16	35	6DR18	89	20	50	6TR18	89	20	70
19	124.2	115.8	6SR19	80	16	35	6DR19	95	20	50	6TR19	95	20	70
20	129.7	121.8	6SR20	80	16	35	6DR20	100	20	50	6TR20	100	20	70
21	136.0	127.8	6SR21	90	20	40	6DR21	100	20	50	6TR21	100	20	70
22	141.8	133.9	6SR22	90	20	40	6DR22	100	20	50	6TR22	100	20	70
23	149.0	139.9	6SR23	90	20	40	6DR23	110	20	50	6TR23	110	20	70
24	153.9	145.9	6SR24	90	20	40	6DR24	110	20	50	6TR24	110	20	70
25	160.0	152.0	6SR25	90	20	40	6DR25	120	20	50	6TR25	120	20	70
26	165.9	158.0	6SR26	95	20	40	6DR26	120	20	50	6TR26	120	20	70
27	172.3	164.1	6SR27	95	20	40	6DR27	120	20	50	6TR27	120	20	70
28	178.0	170.1	6SR28	95	20	40	6DR28	120	20	50	6TR28	120	20	70
29	184.1	176.2	6SR29	95	20	40	6DR29	120	20	50	6TR29	120	20	70
30	190.5	182.3	6SR30	95	20	40	6DR30	120	20	50	6TR30	120	20	70
31	196.3	188.3	6SR31	100	20	40	6DR31	130	20	50	6TR31	130	25	70
32	203.3	194.4	6SR32	100	20	40	6DR32	130	20	50	6TR32	130	25	70
33	209.3	200.4	6SR33	100	20	40	6DR33	130	20	50	6TR33	130	25	70
34	214.6	206.5	6SR34	100	20	40	6DR34	130	20	50	6TR34	130	25	70
35	221.0	212.5	6SR35	100	20	40	6DR35	130	20	50	6TR35	130	25	70
36	226.8	218.6	6SR36	100	20	40	6DR36	130	25	50	6TR36	130	25	70
37	232.9	224.6	6SR37	100	20	40	6DR37	130	25	50	6TR37	130	25	70
38	239.0	230.7	6SR38	100	20	40	6DR38	130	25	50	6TR38	130	25	70
39	245.1	236.8	6SR39	100	20	40	6DR39	130	25	50	6TR39	130	25	70
40	251.3	242.8	6SR40	100	20	40	6DR40	130	25	50	6TR40	130	25	70

16B Chain
1" x 17.02mm

Pitch : 25.4mm
Internal width: 17.02mm
Roller dia: 15.88mm

Sprocket

Tooth radius r: 26mm
Radius width C: 2.5mm
Tooth width h1: 16.2mm
Tooth width L: 15.8mm
Tooth width h2: 47.7mm
Tooth width h3: 79.6mm



Sizes shown with an * denotes welded boss

16B-1 (8SR)

16B-2 (8DR)

16B-3 (8TR)

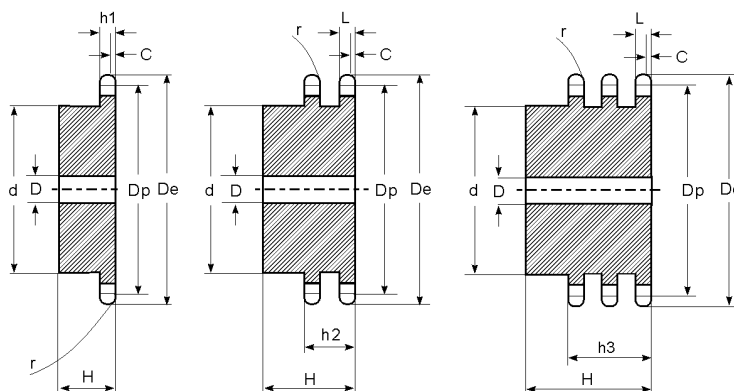
Teeth	De	Dp	Simplex			Duplex			Triplex					
			Part No.	d	D	H	Part No.	d	D	H	Part No.	d	D	H
8	77.00	66.37	8SR08	42	16	35	8DR08	42	16	65	8TR08	42	20	95
9	85.00	74.27	8SR09	50	16	35	8DR09	50	16	65	8TR09	50	20	95
10	93.00	82.19	8SR10	55	16	35	8DR10	56	16	65	8TR10	56	20	95
11	99.50	90.14	8SR11	61	16	40	8DR11	64	20	70	8TR11	64	25	100
12	109.00	98.14	8SR12	69	16	40	8DR12	72	20	70	8TR12	72	25	100
13	117.00	106.12	8SR13	78	16	40	8DR13	80	20	70	8TR13	80	25	100
14	125.00	114.15	8SR14	84	16	40	8DR14	88	20	70	8TR14	88	25	100
15	133.00	122.17	8SR15	92	16	40	8DR15	96	20	70	8TR15	96	25	100
16	141.00	130.20	8SR16	100	20	45	8DR16	104	20	70	8TR16	104	30	100
17	149.00	138.22	8SR17	100	20	45	8DR17	112	20	70	8TR17	112	30	100
18	157.00	146.28	8SR18	100	20	45	8DR18	120	20	70	8TR18	120	30	100
19	165.20	154.33	8SR19	100	20	45	8DR19	128	20	70	8TR19	128	30	100
20	173.20	162.38	8SR20	100	20	45	8DR20	130	20	70	8TR20	130	30	100
21	181.20	170.43	8SR21	110	20	50	8DR21	*130	25	70	8TR21	*130	30	100
22	189.30	178.48	8SR22	110	20	50	8DR22	*130	25	70	8TR22	*130	30	100
23	197.50	186.53	8SR23	110	20	50	8DR23	*130	25	70	8TR23	*130	30	100
24	205.50	194.59	8SR24	110	20	50	8DR24	*130	25	70	8TR24	*130	30	100
25	213.50	202.66	8SR25	110	20	50	8DR25	*130	25	70	8TR25	*130	30	100
26	221.60	210.72	8SR26	120	20	50	8DR26	*130	25	70	8TR26	*130	30	100
27	229.60	218.79	8SR27	120	20	50	8DR27	*130	25	70	8TR27	*130	30	100
28	237.70	226.85	8SR28	120	20	50	8DR28	*130	25	70	8TR28	*130	30	100
29	245.80	234.92	8SR29	120	20	50	8DR29	*130	25	70	8TR29	*130	30	100
30	254.00	243.00	8SR30	120	20	50	8DR30	*130	25	70	8TR30	*130	30	100
31	262.00	251.08	8SR31	*120	25	50	8DR31	*130	25	70	8TR31	*140	30	100
32	27.00	29.13	8SR32	*120	25	50	8DR32	*130	25	70	8TR32	*140	30	100
33	278.50	267.21	8SR33	*120	25	50	8DR33	*130	25	70	8TR33	*140	30	100
34	287.00	275.28	8SR34	*120	25	50	8DR34	*130	25	70	8TR34	*140	30	100
35	296.20	283.36	8SR35	*120	25	50	8DR35	*130	25	70	8TR35	*140	30	100
36	304.60	291.44	8SR36	*120	25	50	8DR36	*130	25	70	8TR36	*140	30	100
37	312.60	299.51	8SR37	*120	25	50	8DR37	*130	25	70	8TR37	*140	30	100
38	320.70	307.59	8SR38	*120	25	50	8DR38	*130	25	70	8TR38	*140	30	100
39	328.80	315.67	8SR39	*120	25	50	8DR39	*130	25	70	8TR39	*140	30	100
40	336.90	323.73	8SR40	*120	25	50	8DR40	*130	25	70	8TR40	*140	30	100

20B Chain
1-1/4" x 3/4"

Pitch : 31.75mm
Internal width: 19.56mm
Roller dia: 19.05mm

Sprocket

Tooth radius r: 32mm
Radius width C: 3.5mm
Tooth width h1: 18.5mm
Tooth width L: 18.2mm
Tooth width h2: 54.6mm
Tooth width h3: 91mm



Sizes shown with an * denotes welded boss

20B-1 (10SR)

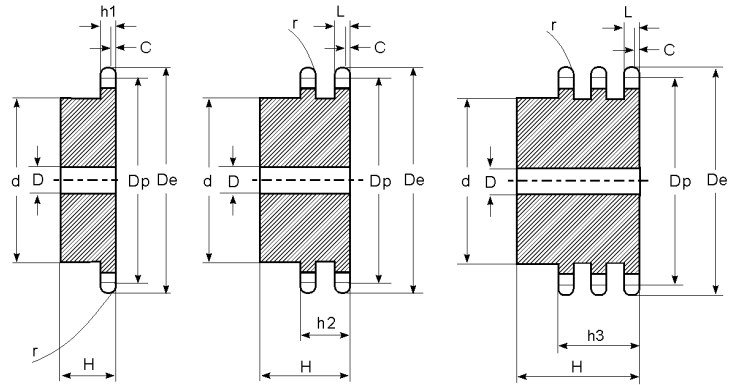
20B-2 (10DR)

20B-3 (10TR)

Teeth	De	Dp	Simplex			Duplex			Triplex					
			Part No.	d	D	H	Part No.	d	D	H	Part No.	d	D	H
8	98.10	82.96	10SR08	53	20	40	10DR08	53	20	75	10TR08	53	20	110
9	108.00	92.84	10SR09	63	20	40	10DR09	63	20	75	10TR09	63	20	110
10	117.90	102.74	10SR10	70	20	40	10DR10	70	20	75	10TR10	70	20	110
11	127.80	112.68	10SR11	77	20	45	10DR11	80	20	80	10TR11	80	20	115
12	137.80	122.68	10SR12	88	20	45	10DR12	90	20	80	10TR12	90	20	115
13	147.80	132.65	10SR13	98	20	45	10DR13	100	20	80	10TR13	100	20	115
14	157.80	142.68	10SR14	108	20	45	10DR14	110	20	80	10TR14	110	20	115
15	167.90	152.72	10SR15	118	20	45	10DR15	120	20	80	10TR15	120	20	115
16	177.90	162.75	10SR16	120	25	50	10DR16	120	25	80	10TR16	120	25	115
17	187.90	172.78	10SR17	120	25	50	10DR17	120	25	80	10TR17	120	25	115
18	198.00	182.85	10SR18	120	25	50	10DR18	*120	25	80	10TR18	*120	25	115
19	208.10	192.91	10SR19	120	25	50	10DR19	*120	25	80	10TR19	*120	25	115
20	218.10	202.98	10SR20	120	25	50	10DR20	*120	25	80	10TR20	*120	25	115
21	228.20	213.04	10SR21	140	25	55	10DR21	*140	25	80	10TR21	*140	25	115
22	238.30	223.11	10SR22	140	25	55	10DR22	*140	25	80	10TR22	*140	25	115
23	248.30	233.17	10SR23	140	25	55	10DR23	*140	25	80	10TR23	*140	25	115
24	258.40	243.23	10SR24	140	25	55	10DR24	*140	25	80	10TR24	*140	25	115
25	268.50	253.33	10SR25	140	25	55	10DR25	*140	25	80	10TR25	*140	25	115
26	278.60	263.40	10SR26	*150	25	55	10DR26	*150	25	80	10TR26	*150	25	115
27	288.60	273.48	10SR27	*150	25	55	10DR27	*150	25	80	10TR27	*150	25	115
28	298.70	283.56	10SR28	*150	25	55	10DR28	*150	25	80	10TR28	*150	25	115
29	308.80	293.65	10SR29	*150	25	55	10DR29	*150	25	80	10TR29	*150	25	115
30	318.90	303.75	10SR30	*150	25	55	10DR30	*150	25	80	10TR30	*150	25	115
31	329.00	313.85	10SR31	*150	25	55	10DR31	*150	25	80	10TR31	*150	30	115
32	339.10	323.91	10SR32	*150	25	55	10DR32	*150	25	80	10TR32	*150	30	115
33	349.20	334.01	10SR33	*150	25	55	10DR33	*150	25	80	10TR33	*150	30	115
34	359.30	334.10	10SR34	*150	25	55	10DR34	*150	25	80	10TR34	*150	30	115
35	369.40	354.20	10SR35	*150	25	55	10DR35	*150	25	80	10TR35	*150	30	115
36	379.50	364.30	10SR36	*150	25	55	10DR36	*150	30	80	10TR36	*150	30	115
37	389.50	374.39	10SR37	*150	25	55	10DR37	*150	30	80	10TR37	*150	30	115
38	399.60	384.49	10SR38	*150	25	55	10DR38	*150	30	80	10TR38	*150	30	115
39	409.70	394.59	10SR39	*150	25	55	10DR39	*150	30	80	10TR39	*150	30	115
40	419.80	404.66	10SR40	*150	25	55	10DR40	*150	30	80	10TR40	*150	30	115

24B Chain Pitch: 38.1mm
1-1/2" x 1" Internal width: 25.4mm
 Roller dia: 25.4mm

Sprocket Tooth radius r: 38mm
 Radius width C: 4mm
 Tooth width h1: 24.1mm
 Tooth width L: 23.6mm
 Tooth width h2: 72mm
 Tooth width h3: 120.3mm



Sizes shown with an * denotes welded boss

24B-1 (12SR)

24B-2 (12DR)

24B-3 (12TR)

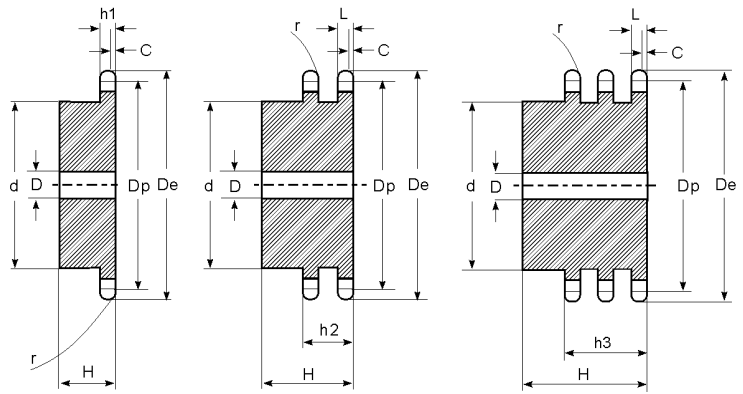
Teeth	De	Dp	Simplex			Duplex			Triplex					
			Part No.	d	D	H	Part No.	d	D	H	Part No.	d	D	H
8	115.00	99.55	12SR08	58	20	45	12DR08	58	25	95	12TR08	58	25	140
9	126.40	111.40	12SR09	70	20	45	12DR09	70	25	95	12TR09	70	25	140
10	138.00	123.29	12SR10	80	20	45	12DR10	80	25	95	12TR10	80	25	140
11	150.00	135.21	12SR11	90	25	50	12DR11	90	25	100	12TR11	90	25	150
12	162.00	147.22	12SR12	102	25	50	12DR12	102	25	100	12TR12	102	25	150
13	174.20	159.18	12SR13	114	25	50	12DR13	114	25	100	12TR13	114	25	150
14	186.20	171.22	12SR14	128	25	50	12DR14	128	25	100	12TR14	128	25	150
15	198.20	183.26	12SR15	140	25	50	12DR15	140	25	100	12TR15	140	25	150
16	210.30	195.30	12SR16	*140	25	55	12DR16	*140	25	100	12TR16	*140	25	150
17	222.30	207.34	12SR17	*140	25	55	12DR17	*150	25	100	12TR17	*150	25	150
18	234.30	219.42	12SR18	*140	25	55	12DR18	*160	25	100	12TR18	*160	25	150
19	246.50	231.49	12SR19	*140	25	55	12DR19	*160	25	100	12TR19	*160	25	150
20	258.60	243.57	12SR20	*140	25	55	12DR20	*160	25	100	12TR20	*160	25	150
21	270.60	255.65	12SR21	*150	25	60	12DR21	*160	25	100	12TR21	*160	30	150
22	282.70	267.73	12SR22	*150	25	60	12DR22	*160	25	100	12TR22	*160	30	150
23	294.80	279.80	12SR23	*150	25	60	12DR23	*160	25	100	12TR23	*160	30	150
24	306.80	291.88	12SR24	*150	25	60	12DR24	*160	25	100	12TR24	*160	30	150
25	319.00	304.00	12SR25	*150	25	60	12DR25	*160	25	100	12TR25	*160	30	150
26	331.00	316.08	12SR26	*160	30	60	12DR26	*160	30	100	12TR26	*160	30	150
27	343.20	328.19	12SR27	*160	30	60	12DR27	*160	30	100	12TR27	*160	30	150
28	355.20	340.27	12SR28	*160	30	60	12DR28	*160	30	100	12TR28	*160	30	150
29	367.30	352.38	12SR29	*160	30	60	12DR29	*160	30	100	12TR29	*160	30	150
30	379.50	364.50	12SR30	*160	30	60	12DR30	*160	30	100	12TR30	*160	30	150
31	391.60	376.62	12SR31	*160	30	60	12DR31	*170	30	100	12TR31	*170	40	150
32	403.70	388.69	12SR32	*160	30	60	12DR32	*170	30	100	12TR32	*170	40	150
33	415.80	400.81	12SR33	*160	30	60	12DR33	*170	30	100	12TR33	*170	40	150
34	427.80	412.93	12SR34	*160	30	60	12DR34	*170	30	100	12TR34	*170	40	150
35	440.00	425.04	12SR35	*160	30	60	12DR35	*170	30	100	12TR35	*170	40	150
36	452.00	437.16	12SR36	*160	30	60	12DR36	*170	30	100	12TR36	*170	40	150
37	464.20	449.27	12SR37	*160	30	60	12DR37	*170	30	100	12TR37	*170	40	150
38	476.20	461.39	12SR38	*160	30	60	12DR38	*170	30	100	12TR38	*170	40	150
39	488.50	473.50	12SR39	*160	30	60	12DR39	*170	30	100	12TR39	*170	40	150
40	500.60	485.62	12SR40	*160	30	60	12DR40	*170	30	100	12TR40	*170	40	150

28B Chain
1-3/4" x 1-1/4"

Pitch: 44.45mm
Internal width: 30.99mm
Roller dia: 27.94mm

Sprocket

Tooth radius r: 44mm
Radius width C: 5mm
Tooth width h1: 29.4mm
Tooth width L: 28.8mm
Tooth width h2: 88.4mm
Tooth width h3: 148mm



Sizes shown with an * denotes welded boss

28B-1 (14SR)

28B-2 (14DR)

28B-3 (14TR)

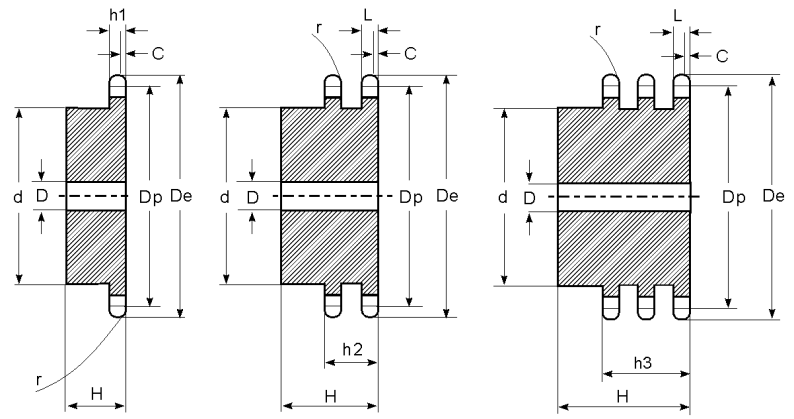
Teeth	De	Dp	Simplex				Duplex				Triplex			
			Part No.	d	D	H	Part No.	d	D	H	Part No.	d	D	H
8	132.00	116.15	14SR08	74	25	70	14DR08	74	25	120	14TR08	74	30	180
9	148.40	129.96	14SR09	88	25	70	14DR09	88	25	120	14TR09	88	30	180
10	162.30	143.85	14SR10	10	25	70	14DR10	100	25	120	14TR10	100	30	180
11	176.30	157.77	14SR11	112	25	70	14DR11	112	25	120	14TR11	112	30	180
12	189.30	171.74	14SR12	125	25	70	14DR12	125	25	120	14TR12	125	30	180
13	204.20	185.75	14SR13	*130	25	70	14DR13	*130	25	120	14TR13	*130	30	180
14	218.20	199.76	14SR14	*130	25	70	14DR14	*130	25	120	14TR14	*130	30	180
15	232.30	213.79	14SR15	*145	25	70	14DR15	*160	30	120	14TR15	*145	30	180
16	246.30	227.84	14SR16	*160	30	75	14DR16	*160	30	120	14TR16	*160	30	180
17	260.00	241.90	14SR17	*160	30	75	14DR17	*160	30	120	14TR17	*160	30	180
18	274.00	255.98	14SR18	*160	30	75	14DR18	*160	30	120	14TR18	*160	30	180
19	289.00	270.06	14SR19	*160	30	75	14DR19	*180	30	120	14TR19	*180	30	180
20	303.00	284.15	14SR20	*160	30	75	14DR20	*180	30	120	14TR20	*180	30	180
21	317.00	298.24	14SR21	*170	30	75	14DR21	*180	30	120	14TR21	*180	30	180
22	331.00	312.34	14SR22	*170	30	75	14DR22	*180	30	120	14TR22	*180	30	180
23	345.00	326.44	14SR23	*170	30	75	14DR23	*180	30	120	14TR23	*180	30	180
24	359.00	340.55	14SR24	*170	30	75	14DR24	*180	30	120	14TR24	*180	30	180
25	373.00	354.66	14SR25	*170	30	75	14DR25	*180	30	120	14TR25	*180	40	180
26	387.00	368.77	14SR26	*170	30	75	14DR26	*180	30	120	14TR26	*180	40	180
27	401.00	382.88	14SR27	*170	30	75	14DR27	*180	30	120	14TR27	*180	40	180
28	416.00	397.00	14SR28	*170	30	75	14DR28	*180	30	120	14TR28	*180	40	180
29	430.00	411.12	14SR29	*170	30	75	14DR29	*180	30	120	14TR29	*180	40	180
30	444.00	425.24	14SR30	*170	30	75	14DR30	*180	30	120	14TR30	*180	40	180
31	458.00	439.37	14SR31	*180	30	75	14DR31	*200	30	120	14TR31	*200	40	180
32	472.00	453.49	14SR32	*180	30	75	14DR32	*200	30	120	14TR32	*200	40	180
33	486.00	467.62	14SR33	*180	30	75	14DR33	*200	30	120	14TR33	*200	40	180
34	500.00	481.75	14SR34	*180	30	75	14DR34	*200	30	120	14TR34	*200	40	180
35	514.00	495.88	14SR35	*180	30	75	14DR35	*200	30	120	14TR35	*200	40	180
36	529.00	510.01	14SR36	*180	30	75	14DR36	*200	30	120	14TR36	*200	40	180
37	543.00	524.13	14SR37	*180	30	75	14DR37	*200	30	120	14TR37	*200	40	180
38	557.00	538.27	14SR38	*180	30	75	14DR38	*200	30	120	14TR38	*200	40	180
39	571.00	552.40	14SR39	*180	30	75	14DR39	*200	30	120	14TR39	*200	40	180
40	585.00	566.54	14SR40	*180	30	75	14DR40	*200	30	120	14TR40	*200	40	180

32B Chain
2" x 1-1/4"

Pitch: 50.8mm
Internal width: 30.99mm
Roller dia: 29.21mm

Sprocket

Tooth radius r: 51mm
Radius width C: 6mm
Tooth width h1: 29.4mm
Tooth width L: 28.8mm
Tooth width h2: 87.4mm
Tooth width h3: 146mm



Sizes shown with an * denotes welded boss

32B-1 (16SR)

32B-2 (16DR)

32B-3 (16TR)

Teeth	De	Dp	Simplex			Duplex			Triplex					
			Part No.	d	D	H	Part No.	d	D	H	Part No.	d	D	H
8	153.20	132.74	16SR08	82	25	80	16DR08	82	30	120	16TR08	82	30	180
9	169.00	148.54	16SR09	88	25	80	16DR09	88	30	120	16TR09	88	30	180
10	185.00	164.39	16SR10	104	25	80	16DR10	104	30	120	16TR10	104	30	180
11	200.80	180.31	16SR11	120	30	80	16DR11	120	30	120	16TR11	120	30	180
12	216.80	196.29	16SR12	*133	30	80	16DR12	*133	30	120	16TR12	*133	30	180
13	232.80	212.29	16SR13	*145	30	80	16DR13	*145	30	120	16TR13	*145	30	180
14	248.80	228.29	16SR14	*160	30	80	16DR14	*160	30	120	16TR14	*160	30	180
15	264.80	244.30	16SR15	*160	30	80	16DR15	*160	30	120	16TR15	*160	30	180
16	280.90	260.40	16SR16	*160	30	90	16DR16	*160	30	120	16TR16	*160	30	180
17	296.90	276.46	16SR17	*170	30	90	16DR17	*180	30	120	16TR17	*180	30	180
18	313.00	292.55	16SR18	*170	30	90	16DR18	*180	30	120	16TR18	*180	30	180
19	329.10	308.66	16SR19	*170	30	90	16DR19	*200	30	120	16TR19	*200	30	180
20	345.20	324.71	16SR20	*180	30	90	16DR20	*200	30	120	16TR20	*200	30	180
21	361.30	340.82	16SR21	*180	30	90	16DR21	*200	30	120	16TR21	*200	40	180
22	377.50	356.98	16SR22	*180	30	90	16DR22	*200	30	120	16TR22	*200	40	180
23	393.60	373.08	16SR23	*180	30	90	16DR23	*200	30	120	16TR23	*200	40	180
24	409.70	389.18	16SR24	*180	30	90	16DR24	*200	30	120	16TR24	*200	40	180
25	425.80	405.33	16SR25	*180	30	90	16DR25	*200	30	120	16TR25	*200	40	180
26	441.90	421.44	16SR26	*180	30	90	16DR26	*200	30	120	16TR26	*200	40	180
27	458.10	437.59	16SR27	*180	30	90	16DR27	*200	30	120	16TR27	*200	40	180
28	474.20	453.69	16SR28	*180	30	90	16DR28	*200	30	120	16TR28	*200	40	180
29	492.00	469.85	16SR29	*180	30	90	16DR29							
30	506.50	486.00	16SR30	*180	30	90	16DR30	*200	30	120	16TR30	*200	40	180
32	538.80	518.27	16SR32	*180	30	90	16DR32							
35	589.50	566.71	16SR35	*180	30	90	16DR35							
38	635.50	615.16	16SR38	*180	30	90	16DR38							
40	670.30	647.47	16SR40	*180	30	90	16DR40							

Plate wheels are also available part no. 16SR08PW



PILOT BORE SPROCKETS - CAST IRON

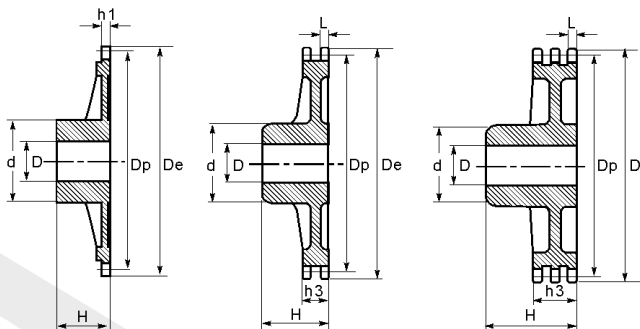
Description

Pilot bore sprockets are manufactured to internationally recognised standards. DIN8187-ISO/R 606. Cast Iron sprockets are produced from GG22 EN -GJL-200 UNI 1561 cast iron. They have a black phosphated finish to increase corrosion resistance so extending the sprockets working life. Conveniently stocked with a minimum pilot bore (see dimension 'D') they can be machined to suit any suitable mounting requirement. Available from stock to suit British standard roller chains from 06B (3/8" pitch) up to 32B (2" pitch) sizes in Simplex (single), Duplex (double) & Triplex (treble) rows of teeth.

06B Chain 3/8" x 7/32"

Pitch: 9.525mm
Internal width: 5.72mm
Roller dia: 6.35mm
Tooth radius: 10mm
Radius width C: 1mm
Tooth width h1: 5.3mm
Tooth width :L 5.2mm
Tooth width h2: 15.4mm
Tooth width h3: 25.6mm

Sprocket



06B-1 (3SR)

06B-2 (3DR)

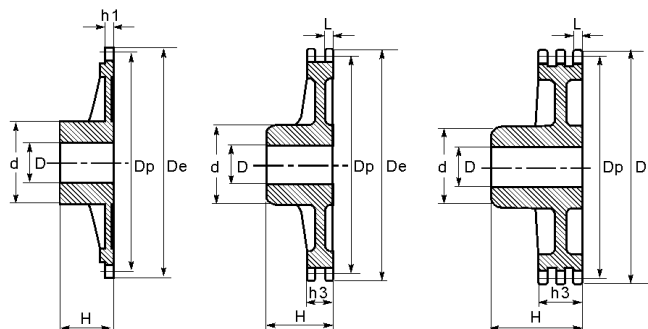
06B-3 (3TR)

Teeth	De	Dp	Simplex			Duplex			Triplex					
			Part No.	d	D	H	Part No.	d	D	H	Part No.	d	D	H
38	119.5	115.34	3SR38C	70	19	32	3DR38C	80	19	40	3TR38C	90	23	56
45	140.7	136.54	3SR45C	70	19	32	3DR45C	80	19	40	3TR45C	90	23	56
57	176.9	172.91	3SR57C	70	19	32	3DR57C	80	19	40	3TR57C	90	23	56
76	234.9	230.49	3SR76C	70	19	32	3DR76C	80	19	40	3TR76C	100	23	56
95	292.5	288.08	3SR95C	80	19	40	3DR95C	90	19	45	3TR95C	100	23	56
114	349.6	345.68	3SR114C	80	19	40	3DR114C	95	19	45	3TR114C	100	23	56

08B Chain 1/2" x 5/16"

Pitch: 12.7mm
Internal width: 7.75mm
Roller dia: 8.51mm
Tooth radius r: 13mm
Radius width C: 1.3mm
Tooth width h1: 7.2mm
Tooth width L: 7mm
Tooth width h2: 21mm
Tooth width h3: 34.9mm

Sprocket



08B-1 (4SR)

08B-2 (4DR)

08B-3 (4TR)

Teeth	De	Dp	Simplex			Duplex			Triplex					
			Part No.	d	D	H	Part No.	d	D	H	Part No.	d	D	H
38	158.6	153.80	4SR38C	70	19	40	4DR38C	90	23	50	4TR38C	100	23	60
45	188.0	182.07	4SR45C	70	19	40	4DR45C	90	23	50	4TR45C	100	23	60
57	236.4	230.54	4SR57C	70	19	40	4DR57C	90	23	50	4TR57C	100	23	60
76	313.3	307.33	4SR76C	80	23	40	4DR76C	100	23	56	4TR76C	100	23	60

08B-1 (4SR)

08B-2 (4DR)

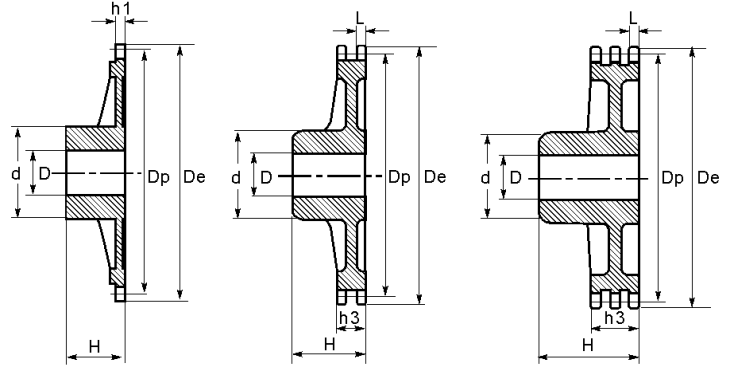
08B-3 (4TR)

Teeth	De	Dp	Simplex				Duplex				Triplex			
			Part No.	d	D	H	Part No.	d	D	H	Part No.	d	D	H
95	390.1	384.11	4SR95C	80	23	45	4DR95C	100	23	56	4TR95C	120	23	67
114	466.9	460.90	4SR114C	80	23	45	4DR114C	100	23	63	4TR114C	120	23	67

10B Chain
5/8" x 3/8"

Pitch: 15.875mm
Internal width: 9.65mm
Roller dia: 10.16mm
Tooth radius r: 16mm
Radius width C: 1.6mm
Tooth width h1: 9.1mm
Tooth width L: 9mm
Tooth width h2: 25.5mm
Tooth width h3: 42.1mm

Sprocket



10B-1 (5SR)

10B-2 (5DR)

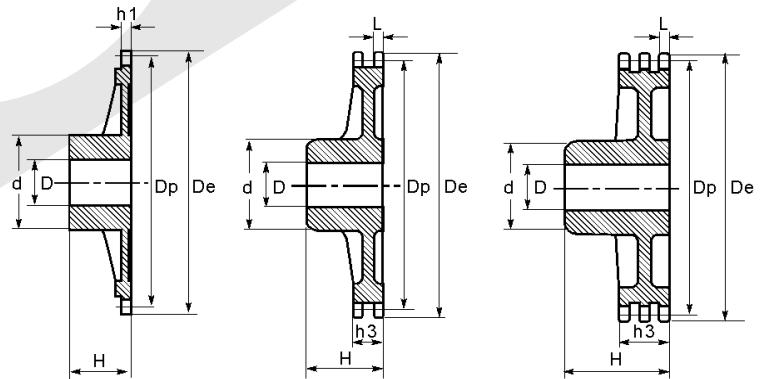
10B-3 (5TR)

Teeth	De	Dp	Simplex				Duplex				Triplex			
			Part No.	d	D	H	Part No.	d	D	H	Part No.	d	D	H
38	199.2	192.24	5SR38C	80	19	40	5DR38C	100	29	50	5TR38C	100	31	60
45	235	227.58	5SR45C	80	19	40	5DR45C	100	29	50	5TR45C	100	31	60
57	296	288.18	5SR57C	90	23	45	5DR57C	100	29	56	5TR57C	100	31	63
76	392.1	384.16	5SR76C	90	23	50	5DR76C	100	29	63	5TR76C	110	34	64
95	488.5	480.14	5SR95C	100	23	56	5DR95C	110	29	63	5TR95C	125	34	70
114	584.1	576.13	5SR114C	100	23	56	5DR114C	125	29	70	5TR114C	125	34	80

12B Chain
3/4" x 7/16"

Pitch: 19.05mm
Internal width: 11.68mm
Roller dia: 12.07mm
Tooth radius r: 19mm
Radius width C: 2mm
Tooth width h1: 11.1mm
Tooth width L: 10.8mm
Tooth width h2: 30.3mm
Tooth width h3: 49.8mm

Sprocket



12B-1 (6SR)

12B-2 (6DR)

12B-3 (6TR)

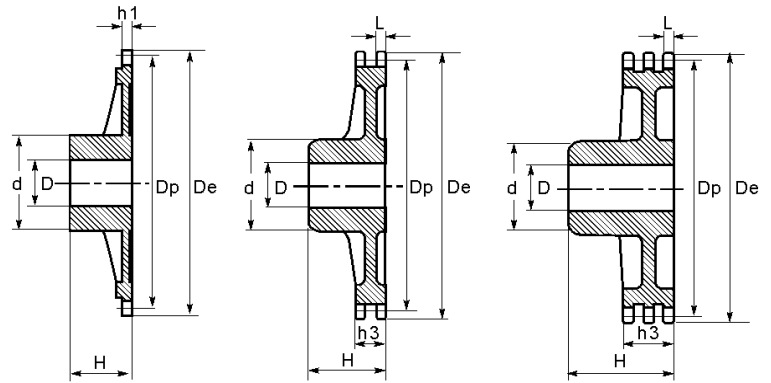
Teeth	De	Dp	Simplex				Duplex				Triplex			
			Part No.	d	D	H	Part No.	d	D	H	Part No.	d	D	H
38	239.0	230.69	6SR38C	100	23	56	6DR38C	110	29	63	6TR38C	140	30	70
45	282.5	273.10	6SR45C	100	23	56	6DR45C	110	29	63	6TR45C	140	30	70
57	354.0	345.81	6SR57C	100	29	56	6DR57C	120	29	63	6TR57C	140	39	70
76	469.9	460.99	6SR76C	100	29	56	6DR76C	135	29	63	6TR76C	160	39	75
95	585.1	576.17	6SR95C	100	29	65	6DR95C	135	29	70	6TR95C	170	39	82
114	700.6	691.36	6SR114C	100	29	65	6DR114C	135	29	70	6TR114C	170	49	82

16B Chain
1" x 17.02mm

Pitch : 25.4mm
Internal width: 17.02mm
Roller dia: 15.88mm

Sprocket

Tooth radius r: 26mm
Radius width C: 2.5mm
Tooth width h1: 16.2mm
Tooth width L: 15.8mm
Tooth width h2: 47.7mm
Tooth width h3: 79.6mm



16B-1 (8SR)

16B-2 (8DR)

16B-3 (8TR)

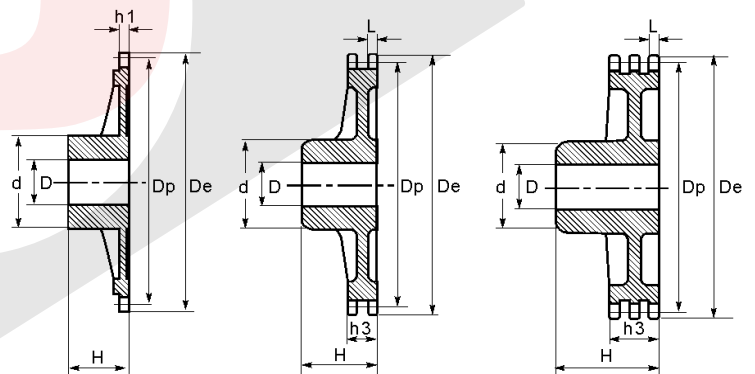
Teeth	De	Dp	Simplex			Duplex			Triplex					
			Part No.	d	D	H	Part No.	d	D	H	Part No.	d	D	H
30	254.0	243.00	8SR30C	110	29	65	8DR30C	125	39	75	8TR30C	145	39	90
38	320.0	307.59	8SR38C	110	29	65	8DR38C	140	39	75	8TR38C	160	44	100
45	377.0	364.12	8SR45C	125	29	70	8DR45C	150	39	75	8TR45C	160	44	100
57	474.0	461.07	8SR57C	125	34	70	8DR57C	170	39	90	8TR57C	165	44	100
76	627.0	614.65	8SR76C	140	34	80	8DR76C	175	39	95	8TR76C	200	44	110
95	781.0	768.22	8SR95C	140	39	80	8DR95C	175	44	95	8TR95C	200	49	110
114	933.0	921.81	8SR114C	140	39	80	8DR114C	175	44	95	8TR114C	200	49	115

20B Chain
1-1/4" x 3/4"

Pitch : 31.75mm
Internal width: 19.56mm
Roller dia: 19.05mm

Sprocket

Tooth radius r: 32mm
Radius width C: 3.5mm
Tooth width h1: 18.5mm
Tooth width L: 18.2mm
Tooth width h2: 54.6mm
Tooth width h3: 91mm



20B-1 (10SR)

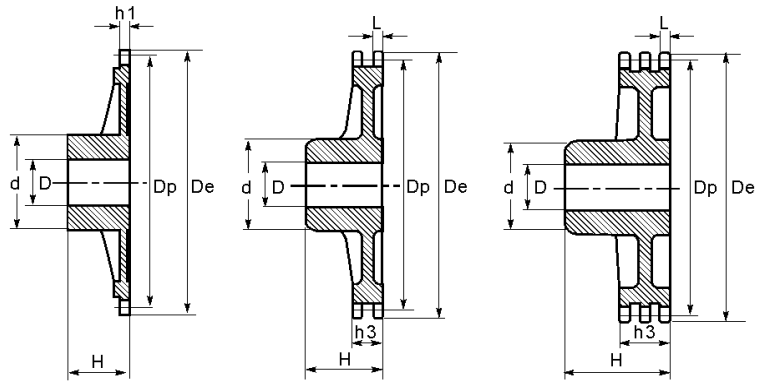
20B-2 (10DR)

20B-3 (10TR)

Teeth	De	Dp	Simplex			Duplex			Triplex					
			Part No.	d	D	H	Part No.	d	D	H	Part No.	d	D	H
30	318.9	303.75	10SR30C	115	35	70	10DR30C	130	40	80	10TR30C	160	50	100
38	399.6	384.49	10SR38C	125	35	70	10DR38C	140	44	90	10TR38C	180	56	110
45	470.3	455.17	10SR45C	125	35	70	10DR45C	140	44	90	10TR45C	180	56	110
57	591.5	576.36	10SR57C	135	40	80	10DR57C	160	50	100	10TR57C	180	60	125
76	783.5	768.32	10SR76C	140	40	80	10DR76C	180	50	100	10TR76C	200	60	140

24B Chain Pitch: 38.1mm
1-1/2" x 1" Internal width: 25.4mm
 Roller dia: 25.4mm

Sprocket Tooth radius r: 38mm
 Radius width C: 4mm
 Tooth width h1: 24.1mm
 Tooth width L: 23.6mm
 Tooth width h2: 72mm
 Tooth width h3: 120.3mm



24B-1 (12SR)

24B-2 (12DR)

24B-3 (12TR)

Teeth	De	Dp	Simplex			Duplex			Triplex					
			Part No.	d	D	H	Part No.	d	D	H	Part No.	d	D	H
30	379.5	364.50	12SR30C	130	40	85	12DR30C	160	40	95	12TR30C	180	60	150
38	476.2	461.39	12SR38C	140	45	90	12DR38C	180	45	100	12TR38C	200	60	150
45	561.2	546.20	12SR45C	140	45	90	12DR45C	180	45	100	12TR45C	200	60	150
57	706.5	691.63	12SR57C	160	45	100	12DR57C	200	55	110	12TR57C	200	70	150
76	936.9	921.98	12SR76C	170	45	100	12DR76C	220	55	120				





SPROCKETS



PRE-BORED SPROCKETS + KEY WAY & GRUB SCREWS

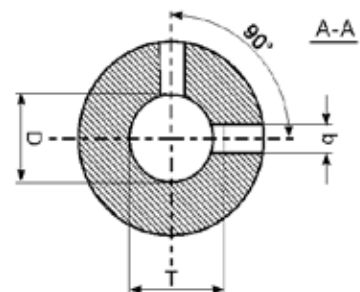
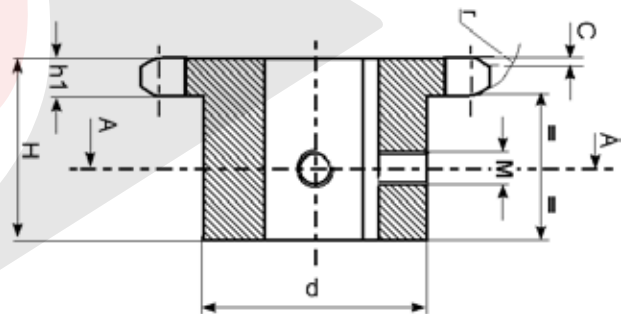
Description

Pre-bored sprockets are manufactured to internationally recognised standards DIN8187-ISO/R 606 and are produced from C45 steel UNI EN 10083-1 having a minimum strength of 600 N/mm². They have induction hardened teeth to reduce tooth wear so extending the sprockets working life.

Conveniently held in stock in all popular metric bore sizes (dimension D), and corresponding key way that is located on the centre line of a tooth and 2 grub screws at 90° to each other for securing to a shaft. Available from stock to suit British standard roller chains from 06B (3/8" pitch) up to 16B (1" pitch) sizes in Simplex (single) row of teeth.

Key way dimensions according to bore diameter

D(H7)	B(H9)	T	M
10	4	D + 1,8 (+0,1 / 0)	M3
11	4	D + 1,8 (+0,1 / 0)	M3
12	4	D + 1,8 (+0,1 / 0)	M3
14	5	D + 2,3 (+0,1 / 0)	M4
16	5	D + 2,3 (+0,1 / 0)	M4
18	6	D + 2,8 (+0,1 / 0)	M5
19	6	D + 2,8 (+0,1 / 0)	M5
20	6	D + 2,8 (+0,1 / 0)	M5
22	6	D + 2,8 (+0,1 / 0)	M5
24	8	D + 3,3 (+0,2 / 0)	M6
25	8	D + 3,3 (+0,2 / 0)	M6
28	8	D + 3,3 (+0,2 / 0)	M6
30	8	D + 3,3 (+0,2 / 0)	M6
32	10	D + 3,3 (+0,2 / 0)	M8
35	10	D + 3,3 (+0,2 / 0)	M8
38	10	D + 3,3 (+0,2 / 0)	M8
40	12	D + 3,3 (+0,2 / 0)	M10
42	12	D + 3,3 (+0,2 / 0)	M10
45	14	D + 3,8 (+0,2 / 0)	M12
48	14	D + 3,8 (+0,2 / 0)	M12
50	14	D + 3,8 (+0,2 / 0)	M12
60	18	D + 4,4 (+0,2 / 0)	M12
65	18	D + 4,4 (+0,2 / 0)	M12
70	20	D + 4,4 (+0,2 / 0)	M12



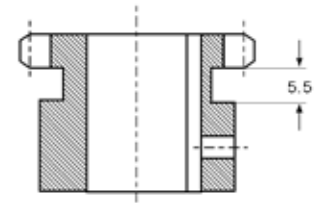
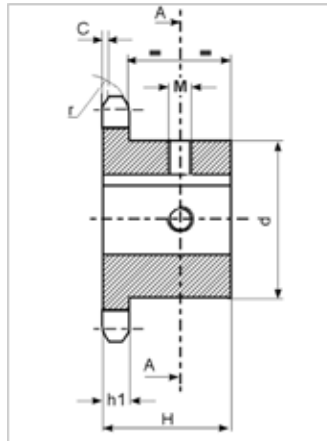
06B Chain
3/8" x 7/32"

Pitch: 9.525mm
Internal width: 5.72mm
Roller dia: 6.35mm

Sprocket

Tooth radius r: 10mm
Radius width C: 1mm
Tooth width h1: 5.3mm
Number of teeth: Z

With induction hardened teeth, key way is located on centre line of tooth



Version for size with *

06B-1 (3SR) BORE + KEY WAY & 2 GRUB SCREWS

Part No.	Z	D	H	d
3SR10/10BK	10	10	22	24
3SR10/11BK		11		
3SR10/12BK		12		26
3SR10/14BK		14		29
3SR11/10BK	11	10	25	24
3SR11/12BK		12		26
3SR11/14BK		14		29*
3SR11/16BK		16		31*
3SR12/10BK	12	10	25	25
3SR12/12BK		12		26
3SR12/14BK		14		29
3SR12/16BK		16		31*
3SR13/10BK		13		10
3SR13/12BK	12			
3SR13/14BK	14			
3SR13/16BK	16		35	
3SR13/18BK	18			
3SR14/12BK	14		12	25
3SR14/14BK		14		
3SR14/16BK		16		
3SR14/18BK		18		
3SR14/19BK		19		
3SR15/12BK	15	12	25	34
3SR15/14BK		14		
3SR15/16BK		16		
3SR15/18BK		18		
3SR15/19BK		19		35
3SR15/20BK		20		36
3SR15/22BK		22		38
3SR15/24BK		24		42*
3SR15/25BK		25		
3SR16/12BK		16		12
3SR16/14BK	14			

Part No.	Z	D	H	d
3SR16/16BK	16	16	28	37
3SR16/18BK		18		
3SR16/19BK		19		
3SR16/20BK		20		
3SR16/22BK	17	22	28	37
3SR16/24BK		24		42
3SR16/25BK		25		
3SR17/12BK		17		12
3SR17/14BK	14			
3SR17/16BK	16			
3SR17/18BK	18			
3SR17/19BK	19			
3SR17/20BK	20			
3SR17/22BK	22			
3SR17/24BK	24			
3SR17/25BK	25		42	
3SR18/12BK	18		12	28
3SR18/14BK		14		
3SR18/16BK		16		
3SR18/18BK		18		
3SR18/19BK		19		
3SR18/20BK		20		
3SR18/22BK		22		
3SR18/24BK		24		
3SR18/25BK		25		
3SR19/12BK		19	12	
3SR19/14BK	14			
3SR19/16BK	16			
3SR19/18BK	18			
3SR19/19BK	19			
3SR19/20BK	20			
3SR19/22BK	22			
3SR19/24BK	24			

06B-1 (3SR) BORE + KEY WAY & 2 GRUB SCREWS continued

Part No.	Z	D	H	d
3SR19/25BK	19	25	28	45
3SR20/12BK	20	12	28	46
3SR20/14BK		14		
3SR20/16BK		16		
3SR20/18BK		18		
3SR20/19BK		19		
3SR20/20BK		20		
3SR20/22BK		22		
3SR20/24BK		24		
3SR20/25BK		25		
3SR21/16BK		21		
3SR21/18BK	18			
3SR21/19BK	19			
3SR21/20BK	20			
3SR21/22BK	22			
3SR21/24BK	24			
3SR21/25BK	25			
3SR22/16BK	22		16	28
3SR22/18BK		18		
3SR22/19BK		19		
3SR22/20BK		20		
3SR22/22BK		22		
3SR22/24BK		24		
3SR22/25BK		25		

Part No.	Z	D	H	d
3SR23/16BK	23	16	28	52
3SR23/18BK		18		
3SR23/19BK		19		
3SR23/20BK		20		
3SR23/22BK		22		
3SR23/24BK		24		
3SR23/25BK		25		
3SR24/16BK		24		
3SR24/18BK	18			
3SR24/19BK	19			
3SR24/20BK	20			
3SR24/22BK	22			
3SR24/24BK	24			
3SR24/25BK	25			
3SR25/16BK	25	16	28	57
3SR25/18BK		18		
3SR25/19BK		19		
3SR25/20BK		20		
3SR25/22BK		22		
3SR25/24BK		24		
3SR25/25BK		25		

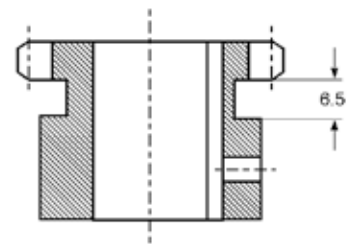
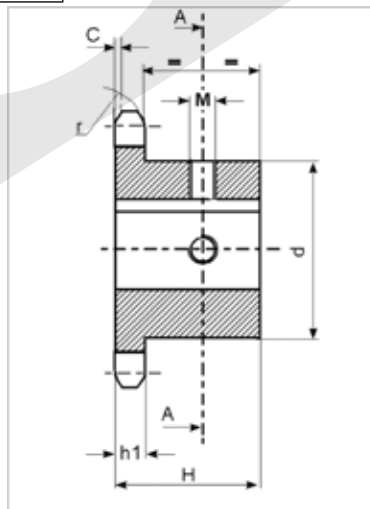
08B Chain
1/2" x 5/16"

Pitch: 12.7mm
Internal width : 7.8mm
Roller dia: 8.5mm

Sprocket

Tooth radius r: 13mm
Radius width C: 1.3mm
Tooth width h1: 7.2mm
Number of teeth: Z

With induction hardened teeth, key way is located on centre line of tooth



Version for size with *

08B-1 (4SR) BORE + KEY WAY & 2 GRUB SCREWS

Part No.	Z	D	H	d
4SR10/12BK	10	12	25	26
4SR10/12BK		14		29
4SR10/12BK		16		31
4SR11/12BK	11	12	25	29
4SR11/14BK		14		

Part No.	Z	D	H	d
4SR11/16BK	11	16	25	31
4SR11/18BK		18		34
4SR11/19BK		19		35
4SR12/12BK	12	12	28	33
4SR12/14BK		14		

08B-1 (4SR) BORE + KEY WAY & 2 GRUB SCREWS continued

Part No.	Z	D	H	d			
4SR12/16BK	12	16	28	33			
4SR12/18BK		18					
4SR12/19BK		19			35		
4SR12/20BK		20		36			
4SR12/22BK		22		38			
4SR12/24BK		24		41*			
4SR12/25BK		25		42*			
4SR13/12BK		13		12	28	37	
4SR13/12BK	14						
4SR13/12BK	16						
4SR13/12BK	18						
4SR13/12BK	19						
4SR13/12BK	20						
4SR13/12BK	22						
4SR13/12BK	24		42				
4SR13/12BK	25						
4SR13/12BK	28		45*				
4SR14/12BK	14		12	28		41	
4SR14/14BK		14					
4SR14/16BK		16					
4SR14/18BK		18					
4SR14/19BK		19					
4SR14/20BK		20					
4SR14/22BK		22					
4SR14/24BK		24					
4SR14/25BK		25					
4SR14/28BK		28	45				
4SR15/12BK		15	12		28	45	
4SR15/14BK	14						
4SR15/16BK	16						
4SR15/18BK	18						
4SR15/19BK	19						
4SR15/20BK	20						
4SR15/22BK	15		22	28			45
4SR15/24BK		24					
4SR15/25BK		25					
4SR15/28BK		28					
4SR15/30BK		30	47				
4SR15/32BK		32	49				
4SR16/16BK		16	16		28	50	
4SR16/18BK			18				
4SR16/19BK	19						
4SR16/20BK	20						
4SR16/22BK	22						

Part No.	Z	D	H	d
4SR16/24BK	16	24	28	50
4SR16/25BK		25		
4SR16/28BK		28		
4SR16/30BK		30		
4SR16/32BK		32		
4SR17/16BK		17		16
4SR17/18BK	18			
4SR17/19BK	19			
4SR17/20BK	20			
4SR17/22BK	22			
4SR17/24BK	24			
4SR17/25BK	25			
4SR17/28BK	28			
4SR17/30BK	30			
4SR17/32BK	32			
4SR18/16BK	18	16	28	56
4SR18/18BK		18		
4SR18/19BK		19		
4SR18/20BK		20		
4SR18/22BK		22		
4SR18/24BK		24		
4SR18/25BK		25		
4SR18/28BK		28		
4SR18/30BK		30		
4SR18/32BK		32		
4SR18/35BK		35		
4SR18/38BK	38			
4SR19/16BK	19	16	28	60
4SR19/18BK		18		
4SR19/19BK		19		
4SR19/20BK		20		
4SR19/22BK		22		
4SR19/24BK		24		
4SR19/25BK		25		
4SR19/28BK		28		
4SR19/30BK		30		
4SR19/32BK		32		
4SR19/35BK		35		
4SR19/38BK	38			
4SR20/16BK	20	16	28	64
4SR20/18BK		18		
4SR20/19BK		19		
4SR20/20BK		20		
4SR20/22BK		22		

08B-1 (4SR) BORE + KEY WAY & 2 GRUB SCREWS continued

Part No.	Z	D	H	d			
4SR20/24BK	20	24	28	64			
4SR20/25BK		25					
4SR20/28BK		28					
4SR20/30BK		30					
4SR20/32BK		32					
4SR20/35BK		35					
4SR20/38BK		38					
4SR21/16BK		21			16	28	68
4SR21/18BK	18						
4SR21/19BK	19						
4SR21/20BK	20						
4SR21/22BK	22						
4SR21/24BK	24						
4SR21/25BK	25						
4SR21/28BK	28						
4SR21/30BK	30						
4SR21/32BK	32						
4SR21/35BK	35						
4SR21/38BK	38						
4SR22/16BK	22		16	28	70		
4SR22/18BK			18				
4SR22/19BK		19					
4SR22/20BK		20					
4SR22/22BK		22					
4SR22/24BK		24					
4SR22/25BK		25					
4SR22/28BK		28					
4SR22/30BK		30					
4SR22/32BK		32					
4SR22/35BK		35					
4SR22/38BK		38					

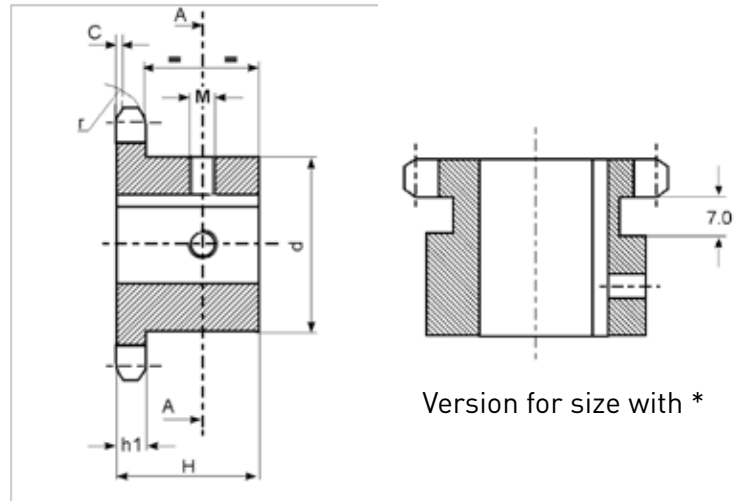
Part No.	Z	D	H	d
4SR23/19BK	23	19	28	70
4SR23/20BK		20		
4SR23/22BK		22		
4SR23/24BK		24		
4SR23/25BK		25		
4SR23/28BK		28		
4SR23/30BK		30		
4SR23/32BK		32		
4SR23/35BK	24	35	28	70
4SR23/38BK		38		
4SR24/19BK		19		
4SR24/20BK		20		
4SR24/22BK		22		
4SR24/24BK		24		
4SR24/25BK		25		
4SR24/28BK		28		
4SR24/30BK	25	30	28	70
4SR24/32BK		32		
4SR24/35BK		35		
4SR24/38BK		38		
4SR25/19BK		19		
4SR25/20BK		20		
4SR25/22BK		22		
4SR25/24BK		24		
4SR25/25BK	25			
4SR25/28BK	25	28	28	70
4SR25/30BK		30		
4SR25/32BK		32		
4SR25/35BK		35		
4SR25/38BK		38		



10B Chain Pitch: 15.875mm
5/8" x 3/8" Internal width: 9.7mm
 Roller dia: 10mm

Sprocket Tooth radius r: 16mm
 Radius width C: 1.6mm
 Tooth width h1: 9.1mm
 Number of teeth: Z

With induction hardened teeth, key way is located on centre line of tooth



Version for size with *

10B-1 (5SR) BORE + KEY WAY & 2 GRUB SCREWS

Part No.	Z	D	H	d			
5SR10/16BK	10	16	25	35			
5SR10/19BK		19					
5SR10/20BK		20					
5SR10/24BK		24					
5SR11/16BK	11	16	30	42*			
5SR11/18BK		18					
5SR11/19BK		19					
5SR11/20BK		20					
5SR11/24BK		24					
5SR11/25BK		25					
5SR11/28BK		28					
5SR12/16BK	11	16	30	42			
5SR12/18BK		18					
5SR12/19BK		19					
5SR12/20BK		20					
5SR12/22BK		22					
5SR12/24BK		24					
5SR12/25BK		25			44		
5SR12/28BK		28			47		
5SR12/30BK		30			49		
5SR12/32BK		32			51		
5SR13/16BK		13			16	30	47
5SR13/18BK					18		
5SR13/19BK					19		
5SR13/20BK	20						
5SR13/22BK	22						
5SR13/24BK	24						
5SR13/25BK	25						
5SR13/28BK	28						
5SR13/30BK	30		49				
5SR13/32BK	32		51				

Part No.	Z	D	H	d
5SR14/16BK	14	16	30	52
5SR14/18BK		18		
5SR14/19BK		19		
5SR14/20BK		20		
5SR14/22BK		22		
5SR14/24BK		24		
5SR14/25BK		25		
5SR14/28BK		28		
5SR14/30BK		30		
5SR14/32BK		32		
5SR15/19BK	16	19	30	60
5SR15/20BK		20		
5SR15/22BK		22		
5SR15/24BK		24		
5SR15/25BK		25		
5SR15/28BK		28		
5SR15/30BK		30		
5SR15/32BK		32		
5SR15/35BK		35		
5SR16/38BK		38		
5SR17/19BK	17	19	30	60
5SR17/20BK		20		
5SR17/22BK		22		
5SR17/24BK		24		
5SR17/25BK		25		
5SR17/28BK		28		
5SR17/30BK		30		
5SR17/32BK		32		
5SR17/35BK		35		
5SR17/38BK		38		
5SR18/19BK	18	19	30	70

10B-1 (5SR) BORE + KEY WAY & 2 GRUB SCREWS continued

Part No.	Z	D	H	d	Part No.	Z	D	H	d														
5SR18/20BK	18	20	30	70	5SR21/38BK	21	38	30	70														
5SR18/22BK		22			40																		
5SR18/24BK		24			42																		
5SR18/25BK		25			19	30	80	5SR22/19BK	22	19													
5SR18/28BK		28						20															
5SR18/30BK		30						22															
5SR18/32BK		32						24															
5SR18/35BK		35						25															
5SR18/38BK		38						28															
5SR18/40BK		40						30															
5SR18/42BK		42						32															
5SR19/19BK		19						19		30	70	5SR22/24BK	22	24									
5SR19/20BK								20				25											
5SR19/22BK	22		28																				
5SR19/24BK	24		30																				
5SR19/25BK	25		32																				
5SR19/28BK	28		35																				
5SR19/30BK	30		38																				
5SR19/32BK	32		40																				
5SR19/35BK	35		42																				
5SR19/38BK	38		19	30	80	5SR23/19BK	23	19															
5SR19/40BK	40					20																	
5SR19/42BK	42					22																	
5SR20/19BK	20					19		30	75			5SR23/20BK		23	20								
5SR20/20BK		20				22																	
5SR20/22BK		22				24																	
5SR20/24BK		24				25																	
5SR20/25BK		25				28																	
5SR20/28BK		28				30																	
5SR20/30BK		30				32																	
5SR20/32BK		32				35																	
5SR20/35BK		35				38																	
5SR20/38BK		38				40																	
5SR20/40BK		40	42																				
5SR20/42BK		42	19	30	80	5SR23/24BK	23			24													
5SR21/19BK		21				19				30	75	5SR23/25BK	23		25								
5SR21/20BK	20					28																	
5SR21/22BK	22					30																	
5SR21/24BK	24					32																	
5SR21/25BK	25					35																	
5SR21/28BK	28					38																	
5SR21/30BK	30					40																	
5SR21/32BK	32					42																	
5SR21/35BK	35					19		30	80			5SR23/28BK		23	28								
5SR22/19BK	22											19			30	70	5SR23/30BK	23	30				
5SR22/20BK												20					32						
5SR22/22BK												22					35						
5SR22/24BK			24	38																			
5SR22/25BK		25	40																				
5SR22/28BK		28	42																				
5SR22/30BK		30	19	30	80		5SR23/32BK			23	32												
5SR22/32BK		32					35																
5SR22/35BK		35					38																
5SR22/38BK		38					40																
5SR22/40BK		40					42																
5SR22/42BK		42					19				30	80	5SR23/35BK				23		35				
5SR23/19BK		23				19		30	70				5SR23/38BK	23					38				
5SR23/20BK	20					40																	
5SR23/22BK	22					42																	
5SR23/24BK	24					19							30		80	5SR23/40BK		23	40				
5SR23/25BK	25															42							
5SR23/28BK	28															42							
5SR23/30BK	30															19			30	80	5SR23/42BK	23	42
5SR23/32BK	32		42																				
5SR23/35BK	35		42																				
5SR23/38BK	38		19	30	80					5SR24/19BK											24		19
5SR23/40BK	40									42													
5SR23/42BK	42									42													
5SR24/19BK	24						19			30	80	5SR24/20BK					24						20
5SR24/20BK		20					42																
5SR24/22BK		22					42																
5SR24/24BK		24					42																
5SR24/25BK		25				19	30	80	5SR24/24BK			24	24										
5SR24/28BK		28							42														
5SR24/30BK		30							42														
5SR24/32BK		32							42														
5SR24/35BK		35							19				30	80	5SR24/25BK	24		25					
5SR24/38BK		38													42								
5SR24/40BK		40	42																				
5SR24/42BK		42	42																				
5SR25/19BK		25	19	30	80										5SR24/28BK			24	28				
5SR25/20BK	20		42																				
5SR25/22BK	22		42																				
5SR25/24BK	24		42																				
5SR25/25BK	25		42																				

10B-1 (5SR) BORE + KEY WAY & 2 GRUB SCREWS continued

Part No.	Z	D	H	d
5SR25/28BK	25	28	30	80
5SR25/30BK		30		
5SR25/32BK		32		
5SR25/35BK		35		

Part No.	Z	D	H	d
5SR25/38BK		38	30	80
5SR25/40BK		40		
5SR25/42BK		42		

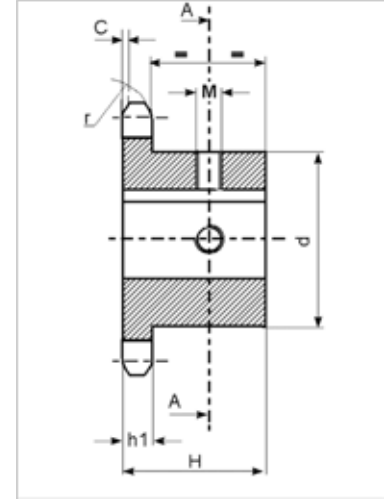
**10B Chain
5/8" x 3/8"**

Pitch: 15.875mm
Internal width: 9.7mm
Roller dia: 10mm

With induction hardened teeth, key way is located on centre line of tooth

Sprocket

Tooth radius r: 16mm
Radius width C: 1.6mm
Tooth width h1: 9.1mm
Number of teeth: Z



12B-1 (6SR) BORE - KEY WAY & 2 GRUB SCREWS

Part No.	Z	D	H	d			
6SR14/32BK	14	32	35	64			
6SR14/35BK		35					
6SR14/38BK		38					
6SR14/40BK		40			67		
6SR15/19BK	15	19	35	70			
6SR15/20BK		20					
6SR15/22BK		22					
6SR15/24BK		24					
6SR15/25BK		25					
6SR15/28BK		28					
6SR15/30BK		30					
6SR15/32BK		32					
6SR15/35BK		35					
6SR15/38BK		38					
6SR15/40BK		40					
6SR17/25BK		17			25	35	80
6SR17/28BK					28		
6SR17/30BK					30		
6SR17/32BK	32						
6SR17/35BK	35						
6SR17/38BK	38						
6SR17/40BK	40						
6SR17/42BK	42						
6SR18/25BK	18	25	35	80			
6SR18/28BK		28					
6SR18/30BK		30					

Part No.	Z	D	H	d
6SR18/32BK	18	32	35	80
6SR18/35BK		35		
6SR18/38BK		38		
6SR18/40BK		40		
6SR18/42BK		42		
6SR19/25BK	19	25	35	80
6SR19/28BK		28		
6SR19/30BK		30		
6SR19/32BK		32		
6SR19/35BK		35		
6SR19/38BK		38		
6SR19/40BK		40		
6SR19/42BK		42		
6SR19/45BK		45		
6SR19/48BK		48		
6SR19/50BK	50			
6SR20/25BK	20	25	35	80
6SR20/28BK		28		
6SR20/30BK		30		
6SR20/32BK		32		
6SR20/35BK		35		
6SR20/38BK		38		
6SR20/40BK		40		
6SR20/42BK		42		
6SR20/45BK	45			
6SR20/48BK	48			

12B-1 (6SR) BORE - KEY WAY & 2 GRUB SCREWS continued

Part No.	Z	D	H	d			
6SR20/50BK	20	50	35	80			
6SR21/25BK	21	25	40	90			
6SR21/28BK		28					
6SR21/30BK		30					
6SR21/32BK		32					
6SR21/35BK		35					
6SR21/38BK		38					
6SR21/40BK		40					
6SR21/42BK		42					
6SR21/45BK		45					
6SR21/48BK		48					
6SR21/50BK		50					
6SR22/25BK		22			25	40	90
6SR22/28BK					28		
6SR22/30BK					30		
6SR22/32BK	32						
6SR22/35BK	35						
6SR22/38BK	38						
6SR22/40BK	40						
6SR22/42BK	42						
6SR22/45BK	45						
6SR22/48BK	48						
6SR22/50BK	50						
6SR23/25BK	23		25	40	90		
6SR23/28BK			28				
6SR23/30BK			30				
6SR23/32BK		32					
6SR23/35BK		35					

Part No.	Z	D	H	d
6SR23/38BK	23	38	40	90
6SR23/40BK		40		
6SR23/42BK		42		
6SR23/45BK		45		
6SR23/48BK		48		
6SR23/50BK		50		
6SR24/25BK		24		
6SR24/28BK	28			
6SR24/30BK	30			
6SR24/32BK	32			
6SR24/35BK	35			
6SR24/38BK	38			
6SR24/40BK	40			
6SR24/42BK	42			
6SR24/45BK	45			
6SR24/48BK	48			
6SR24/50BK	50			
6SR25/25BK	25	25	40	90
6SR25/28BK		28		
6SR25/30BK		30		
6SR25/32BK		32		
6SR25/35BK		35		
6SR25/38BK		38		
6SR25/40BK		40		
6SR25/42BK		42		
6SR25/45BK		45		
6SR25/48BK		48		
6SR25/50BK	50			

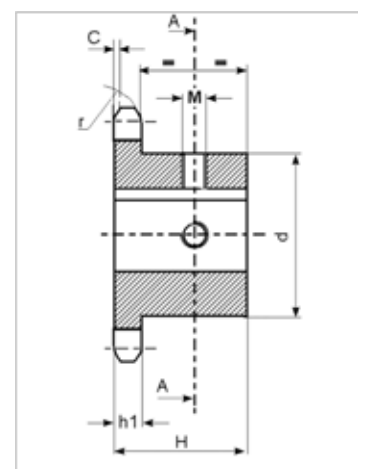
16B Chain
1" x 17.02mm

Pitch : 25.4mm
Internal width :17.02mm
Roller dia: 15.88mm

Sprocket

Tooth radius r: 26mm
Radius width C: 2.5mm
Tooth width h1: 16.2mm
Number of teeth: Z

With induction hardened teeth, key way is located on centre line of tooth



16B-1 (8SR) BORE - KEY WAY & 2 GRUB SCREWS

Part No.	Z	D	H	d
8SR11/25BK	11	25	40	61
8SR11/28BK		28		

Part No.	Z	D	H	d
8SR11/30BK	11	30	40	61
8SR11/32BK		32		

16B-1 (8SR) BORE - KEY WAY & 2 GRUB SCREWS continued

Part No.	Z	D	H	d
8SR11/35BK	11	35	40	61
8SR11/38BK		38		65
8SR11/40BK		40		67
8SR11/42BK		42		69
8SR12/25BK	12	25	40	69
8SR12/28BK		28		
8SR12/30BK		30		
8SR12/32BK		32		
8SR12/35BK		35		
8SR12/38BK		38		
8SR12/40BK		40		
8SR12/42BK		42		
8SR13/25BK	13	25	40	78
8SR13/28BK		28		
8SR13/30BK		30		
8SR13/32BK		32		
8SR13/35BK		35		
8SR13/38BK		38		
8SR13/40BK		40		
8SR13/42BK		42		
8SR13/45BK		45		
8SR13/48BK		48		
8SR13/50BK		50		
8SR14/25BK		14		25
8SR14/28BK	28			
8SR14/30BK	30			
8SR14/32BK	32			
8SR14/35BK	35			
8SR14/38BK	38			
8SR14/40BK	40			
8SR14/42BK	42			
8SR14/45BK	45			
8SR14/48BK	48			
8SR14/50BK	50			
8SR15/25BK	15	25	40	92
8SR15/28BK		28		
8SR15/30BK		30		
8SR15/32BK		32		
8SR15/35BK		35		
8SR15/38BK		38		
8SR15/40BK		40		
8SR15/42BK		42		
8SR15/45BK		45		
8SR15/48BK		48		
8SR15/50BK		50		

Part No.	Z	D	H	d
8SR16/25BK	16	25	45	100
8SR16/28BK		28		
8SR16/30BK		30		
8SR16/32BK		32		
8SR16/35BK		35		
8SR16/38BK		38		
8SR16/40BK		40		
8SR16/42BK		42		
8SR16/45BK		45		
8SR16/48BK		48		
8SR16/50BK	50			
8SR17/25BK	17	25	45	100
8SR17/28BK		28		
8SR17/30BK		30		
8SR17/32BK		32		
8SR17/35BK		35		
8SR17/38BK		38		
8SR17/40BK		40		
8SR17/42BK		42		
8SR17/45BK	45			
8SR17/48BK	48			
8SR17/50BK	50			
8SR18/25BK	18	25	45	100
8SR18/28BK		28		
8SR18/30BK		30		
8SR18/32BK		32		
8SR18/35BK		35		
8SR18/38BK		38		
8SR18/40BK		40		
8SR18/42BK		42		
8SR18/45BK		45		
8SR18/48BK		48		
8SR18/50BK	50			
8SR19/25BK	19	25	45	100
8SR19/28BK		28		
8SR19/30BK		30		
8SR19/32BK		32		
8SR19/35BK		35		
8SR19/38BK		38		
8SR19/40BK		40		
8SR19/42BK		42		
8SR19/45BK	45			
8SR19/48BK	48			
8SR19/50BK	50			
8SR20/25BK	20	25	45	100

16B-1 (8SR) BORE - KEY WAY & 2 GRUB SCREWS continued

Part No.	Z	D	H	d
8SR20/28BK	20	28	45	100
8SR20/30BK		30		
8SR20/32BK		32		
8SR20/35BK		35		
8SR20/38BK		38		
8SR20/40BK		40		
8SR20/42BK		42		
8SR20/45BK		45		
8SR20/48BK		48		
8SR20/50BK		50		
8SR21/25BK		21		
8SR21/28BK	28			
8SR21/30BK	30			
8SR21/32BK	32			
8SR21/35BK	35			
8SR21/38BK	38			
8SR21/40BK	40			
8SR21/42BK	42			
8SR21/45BK	45			
8SR21/48BK	48			
8SR21/50BK	50			
8SR22/25BK	22	25	50	110
8SR22/28BK		28		
8SR22/30BK		30		
8SR22/32BK		32		
8SR22/35BK		35		
8SR22/38BK		38		
8SR22/40BK		40		
8SR22/42BK		42		
8SR22/45BK		45		
8SR22/48BK		48		
8SR22/50BK		50		
8SR23/25BK	23	25	50	110

Part No.	Z	D	H	d
8SR23/28BK	23	28	50	110
8SR23/30BK		30		
8SR23/32BK		32		
8SR23/35BK		35		
8SR23/38BK		38		
8SR23/40BK		40		
8SR23/42BK		42		
8SR23/45BK		45		
8SR23/48BK		48		
8SR23/50BK		50		
8SR24/25BK		24		
8SR24/28BK	28			
8SR24/30BK	30			
8SR24/32BK	32			
8SR24/35BK	35			
8SR24/38BK	38			
8SR24/40BK	40			
8SR24/42BK	42			
8SR24/45BK	45			
8SR24/48BK	48			
8SR24/50BK	50			
8SR25/25BK	25	25	50	110
8SR25/28BK		28		
8SR25/30BK		30		
8SR25/32BK		32		
8SR25/35BK		35		
8SR25/38BK		38		
8SR25/40BK		40		
8SR25/42BK		42		
8SR25/45BK		45		
8SR25/48BK		48		
8SR25/50BK		50		



SPROCKETS

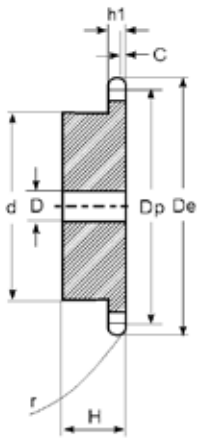


PILOT BORE SPROCKETS - STAINLESS STEEL

Description

Stainless Steel pilot bore sprockets are manufactured to internationally recognised standards DIN8187-ISO/R 606 and are produced from 304L stainless steel.

Conveniently stocked with a minimum pilot bore (dimension 'D') they can be machined to suit any suitable mounting requirement. Available from stock to suit British standard roller chains from 06B (3/8" pitch) up to 16B (1" pitch) sizes in Simplex (single) row of teeth.

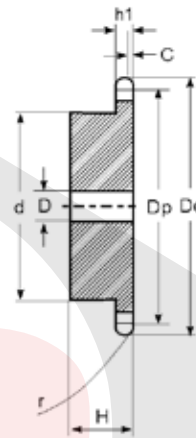


06B Chain
3/8" x 7/32"

Pitch: 9.525mm
Internal width: 5.72mm
Roller dia: 6.35mm

Sprocket

Tooth radius: 10mm
Radius width C: 1mm
Tooth width h1: 5.3mm



08B Chain
1/2" x 5/16"

Pitch: 12.7mm
Internal width: 7.75mm
Roller dia: 8.51mm

Sprocket

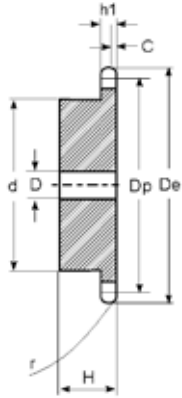
Tooth radius r: 13mm
Radius width C: 1.3mm
Tooth width h1: 7.2mm

06B-1 (3SR) SS

Teeth	De	Dp	Part No.	d	D	H
12	40.00	36.80	3SR12-SS	25	8	25
13	43.00	39.80	3SR13-SS	28	10	25
14	46.30	42.80	3SR14-SS	31	10	25
15	49.30	45.81	3SR15-SS	34	10	25
16	52.30	48.82	3SR16-SS	37	10	28
17	55.30	51.83	3SR17-SS	40	10	28
18	58.30	54.85	3SR18-SS	43	10	28
19	61.30	57.87	3SR19-SS	45	10	28
20	64.30	60.89	3SR20-SS	46	10	28
21	68.00	63.91	3SR21-SS	48	12	28
22	71.00	66.93	3SR22-SS	50	12	28
23	73.50	69.95	3SR23-SS	52	12	28
24	77.00	72.97	3SR24-SS	54	12	28
25	80.00	76.00	3SR25-SS	57	12	28
26	83.00	79.02	3SR26-SS	60	12	28
27	86.00	82.04	3SR27-SS	60	12	28
28	89.00	85.07	3SR28-SS	60	12	28
29	92.00	88.09	3SR29-SS	60	12	28
30	94.70	91.12	3SR30-SS	60	12	28

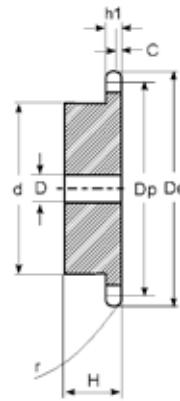
08B-1 (4SR) SS

Teeth	De	Dp	Part No.	d	D	H
12	53.00	49.07	4SR12-SS	33	10	25
13	57.40	53.06	4SR13-SS	37	10	25
14	61.80	57.07	4SR14-SS	41	10	25
15	65.50	61.09	4SR15-SS	45	10	25
16	69.50	65.10	4SR16-SS	50	12	28
17	73.60	69.11	4SR17-SS	52	12	28
18	77.80	73.14	4SR18-SS	56	12	28
19	81.70	77.16	4SR19-SS	60	12	28
20	85.80	81.19	4SR20-SS	64	12	28
21	89.70	85.22	4SR21-SS	68	12	28
22	93.80	89.24	4SR22-SS	70	12	28
23	98.20	93.27	4SR23-SS	70	14	28
24	101.80	97.29	4SR24-SS	70	14	28
25	105.80	101.33	4SR25-SS	70	14	28
26	110.00	105.36	4SR26-SS	70	16	28
27	114.00	109.40	4SR27-SS	70	16	28
28	118.00	113.42	4SR28-SS	70	16	28
29	122.00	117.46	4SR29-SS	80	16	28
30	126.10	121.50	4SR30-SS	80	16	28



10B Chain Pitch: 15.875mm
5/8" x 3/8" Internal width: 9.65mm
 Roller dia: 10.16mm

Sprocket Tooth radius r: 16mm
 Radius width C: 1.6mm
 Tooth width h1: 9.1mm



12B Chain Pitch: 19.05mm
3/4" x 7/16" Internal width: 11.68mm
 Roller dia: 12.07mm

Sprocket Tooth radius r: 19mm
 Radius width C: 2mm
 Tooth width h1: 11.1mm

10B-1 (5SR) SS

Teeth	De	Dp	Part No.	d	D	H
12	68.00	61.34	5SR12-SS	42	12	30
13	73.00	66.32	5SR13-SS	47	12	30
14	78.00	71.34	5SR14-SS	52	12	30
15	83.00	76.36	5SR15-SS	57	12	30
16	88.00	81.37	5SR16-SS	60	12	30
17	93.00	86.39	5SR17-SS	60	12	30
18	98.30	91.42	5SR18-SS	70	14	30
19	103.30	96.45	5SR19-SS	70	14	30
20	108.40	101.49	5SR20-SS	75	14	30
21	113.40	106.52	5SR21-SS	75	16	30
22	118.00	111.55	5SR22-SS	80	16	30
23	123.40	116.58	5SR23-SS	80	16	30
24	128.30	121.62	5SR24-SS	80	16	30
25	134.00	126.66	5SR25-SS	80	16	30
26	139.00	131.70	5SR26-SS	85	20	35
27	144.00	136.75	5SR27-SS	85	20	35
28	148.70	141.78	5SR28-SS	90	20	35
29	153.80	146.83	5SR29-SS	90	20	35
30	158.80	151.87	5SR30-SS	90	20	35

12B-1 (6SR) SS

Teeth	De	Dp	Part No.	d	D	H
12	81.5	73.6	6SR12-SS	52	14	35
13	87.5	79.6	6SR13-SS	58	14	35
14	93.6	85.6	6SR14-SS	64	14	35
15	99.8	91.6	6SR15-SS	70	14	35
16	105.5	97.7	6SR16-SS	75	16	35
17	111.5	103.7	6SR17-SS	80	16	35
18	118.0	109.7	6SR18-SS	80	16	35
19	124.2	115.8	6SR19-SS	80	16	35
20	129.7	121.8	6SR20-SS	80	16	35
21	136.0	127.8	6SR21-SS	90	20	40
22	141.8	133.9	6SR22-SS	90	20	40
23	149.0	139.9	6SR23-SS	90	20	40
24	153.9	145.9	6SR24-SS	90	20	40
25	160.0	152.0	6SR25-SS	90	20	40
26	165.9	158.0	6SR26-SS	95	20	40
27	172.3	164.1	6SR27-SS	95	20	40
28	178.0	170.1	6SR28-SS	95	20	40
29	184.1	176.2	6SR29-SS	95	20	40
30	190.5	182.3	6SR30-SS	95	20	40

16B-1 (8SR) SS

16B Chain Pitch : 25.4mm
1" x 17.02mm Internal width: 17.02mm
 Roller dia: 15.88mm

Sprocket Tooth radius r: 26mm
 Radius width C: 2.5mm
 Tooth width h1: 16.2mm

Teeth	De	Dp	Part No.	d	D	H
8	77.00	66.37	8SR08-SS	42	16	35
9	85.00	74.27	8SR09-SS	50	16	35
10	93.00	82.19	8SR10-SS	55	16	35
11	99.50	90.14	8SR11-SS	61	16	40
12	109.00	98.14	8SR12-SS	69	16	40
13	117.00	106.12	8SR13-SS	78	16	40
14	125.00	114.15	8SR14-SS	84	16	40
15	133.00	122.17	8SR15-SS	92	16	40
16	141.00	130.20	8SR16-SS	100	20	45
17	149.00	138.22	8SR17-SS	100	20	45
18	157.00	146.28	8SR18-SS	100	20	45
19	165.20	154.33	8SR19-SS	100	20	45

Teeth	De	Dp	Part No.	d	D	H
19	165.20	154.33	8SR19-SS	100	20	45
20	173.20	162.38	8SR20-SS	100	20	45
21	181.20	170.43	8SR21-SS	110	20	50
22	189.30	178.48	8SR22-SS	110	20	50
23	197.50	186.53	8SR23-SS	110	20	50
24	205.50	194.59	8SR24-SS	110	20	50
25	213.50	202.66	8SR25-SS	110	20	50
26	221.60	210.72	8SR26-SS	120	20	50
27	229.60	218.79	8SR27-SS	120	20	50
28	237.70	226.85	8SR28-SS	120	20	50
29	245.80	234.92	8SR29-SS	120	20	50
30	254.00	243.00	8SR30-SS	120	20	50



ROLLER CHAIN & SPROCKETS

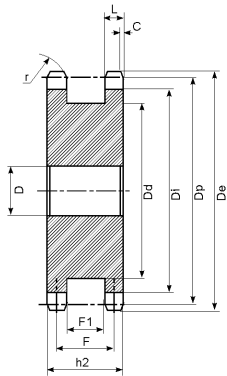


DOUBLE SIMPLEX PILOT BORE SPROCKETS - STEEL

Description

Double simplex pilot bore sprockets are manufactured to internationally recognised standards DIN8187-ISO/R 606 and are produced from C45 steel UNI EN 10083-1 having a minimum strength of 600 N/mm².

Conveniently stocked with a minimum pilot bore (dimension 'D') they can be machined to suit any suitable mounting requirement. Available from stock to suit British standard roller chains from 06B (3/8" pitch) up to 16B (1" pitch) sizes for 2 Simplex (single) chains to run in opposite directions at the same time.

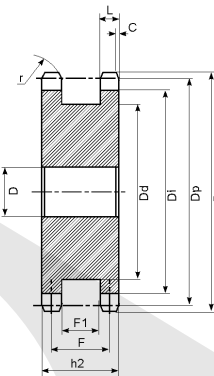


06B Chain
3/8" x 7/32"

Pitch: 9.525mm
Internal width: 5.72mm
Roller dia: 6.35mm

Sprocket

Tooth radius: 10mm
Radius width C: 1mm
Tooth width L: 5.3mm



08B Chain
1/2" x 5/16"

Pitch: 12.7mm
Internal width: 7.75mm
Roller dia: 8.51mm

Sprocket

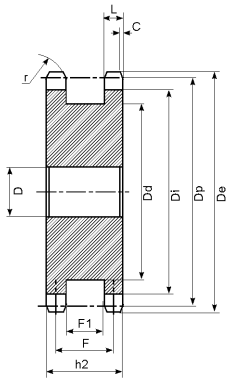
Tooth radius r: 13mm
Radius width C: 1.3mm
Tooth width L: 7.2mm

06B-1 (3SR) DS

Teeth	De	Dp	Part No.	F	F1	D	Db	h2
13	43.00	39.80	3SR13-DS	19	13.7	10	28	24.3
15	49.30	45.81	3SR15-DS	19	13.7	10	34	24.3
17	55.30	51.83	3SR17-DS	19	13.7	10	40	24.3
18	58.30	54.85	3SR18-DS	19	13.7	10	43	24.3
19	61.30	57.87	3SR19-DS	19	13.7	10	46	24.3
20	64.30	60.89	3SR20-DS	19	13.7	10	49	24.3
21	68.00	63.91	3SR21-DS	19	13.7	12	52	24.3
23	73.50	69.95	3SR23-DS	19	13.7	12	59	24.3
25	80.00	76.00	3SR25-DS	19	13.7	12	65	24.3

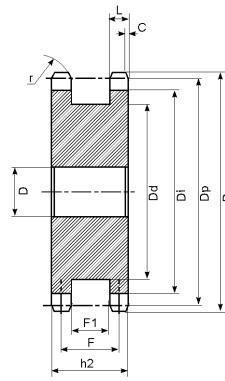
08B-1 (4SR) DS

Teeth	De	Dp	Part No.	F	F1	D	Db	h2
13	57.40	53.06	4SR13-DS	23.8	16.6	10	37	31
15	65.50	61.09	4SR15-DS	23.8	16.6	10	45	31
17	73.60	69.11	4SR17-DS	23.8	16.6	12	53	31
18	77.80	73.14	4SR18-DS	23.8	16.6	12	57	31
19	81.70	77.16	4SR19-DS	23.8	16.6	12	62	31
20	85.80	81.19	4SR20-DS	23.8	16.6	12	66	31
21	89.70	85.22	4SR21-DS	23.8	16.6	14	70	31
23	98.20	93.27	4SR23-DS	23.8	16.6	14	78	31
25	105.80	101.33	4SR25-DS	23.8	16.6	14	86	31



10B Chain
5/8" x 3/8"

Pitch: 15.875mm
Internal width: 9.65mm
Roller dia: 10.16mm
Sprocket Tooth radius r: 16mm
Radius width C: 1.6mm
Tooth width L: 9.1mm



12B Chain
3/4" x 7/16"

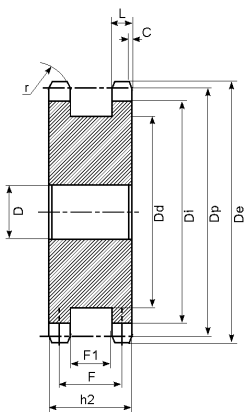
Pitch: 19.05mm
Internal width: 11.68mm
Roller dia: 12.07mm
Sprocket Tooth radius r: 19mm
Radius width C: 2mm
Tooth width L: 11.1mm

10B-1 (5SR) DS

Teeth	De	Dp	Part No.	F	F1	D	Db	h2
13	73.00	66.32	5SR13-DS	27.3	18.1	12	50	36.5
15	83.00	76.36	5SR15-DS	27.3	18.1	12	60	36.5
17	93.00	86.39	5SR17-DS	27.3	18.1	14	70	36.5
18	98.30	91.42	5SR18-DS	27.3	18.1	14	75	36.5
19	103.30	96.45	5SR19-DS	27.3	18.1	14	80	36.5
20	108.40	101.49	5SR20-DS	27.3	18.1	14	85	36.5
21	113.40	106.52	5SR21-DS	27.3	18.1	16	90	36.5
23	123.40	116.58	5SR23-DS	27.3	18.1	16	100	36.5
25	134.00	126.66	5SR25-DS	27.3	18.1	16	110	36.5

12B-1 (6SR) DS

Teeth	De	Dp	Part No.	F	F1	D	Db	h2
13	87.5	79.6	6SR13-DS	33.9	22.8	14	59	45
15	99.8	91.6	6SR15-DS	33.9	22.8	14	71	45
17	111.5	103.7	6SR17-DS	33.9	22.8	16	83	45
18	118.0	109.7	6SR18-DS	33.9	22.8	16	89	45
19	124.2	115.8	6SR19-DS	33.9	22.8	16	95	45
20	129.7	121.8	6SR20-DS	33.9	22.8	16	101	45
21	136.0	127.8	6SR21-DS	33.9	22.8	20	107	45
23	149.0	139.9	6SR23-DS	33.9	22.8	20	119	45
25	160.0	152.0	6SR25-DS	33.9	22.8	20	131	45



16B Chain
1" x 17.02mm

Pitch: 25.4mm
Internal width: 17.02mm
Roller dia: 15.88mm
Sprocket Tooth radius r: 26mm
Radius width C: 2.5mm
Tooth width L: 16.2mm

16B-1 (8SR) DS

Teeth	De	Dp	Part No.	F	F1	D	Db	h2
13	117.00	106.12	8SR13-DS	47.3	31.1	16	81	63.5
15	133.00	122.17	8SR15-DS	47.3	31.1	16	97	63.5
17	149.00	138.22	8SR17-DS	47.3	31.1	20	113	63.5
18	157.00	146.28	8SR18-DS	47.3	31.1	20	121	63.5
19	165.20	154.33	8SR19-DS	47.3	31.1	20	129	63.5
20	173.20	162.38	8SR20-DS	47.3	31.1	20	137	63.5
21	181.20	170.43	8SR21-DS	47.3	31.1	20	145	63.5
23	197.50	186.53	8SR23-DS	47.3	31.1	20	161	63.5
25	213.50	202.66	8SR25-DS	47.3	31.1	20	177	63.5





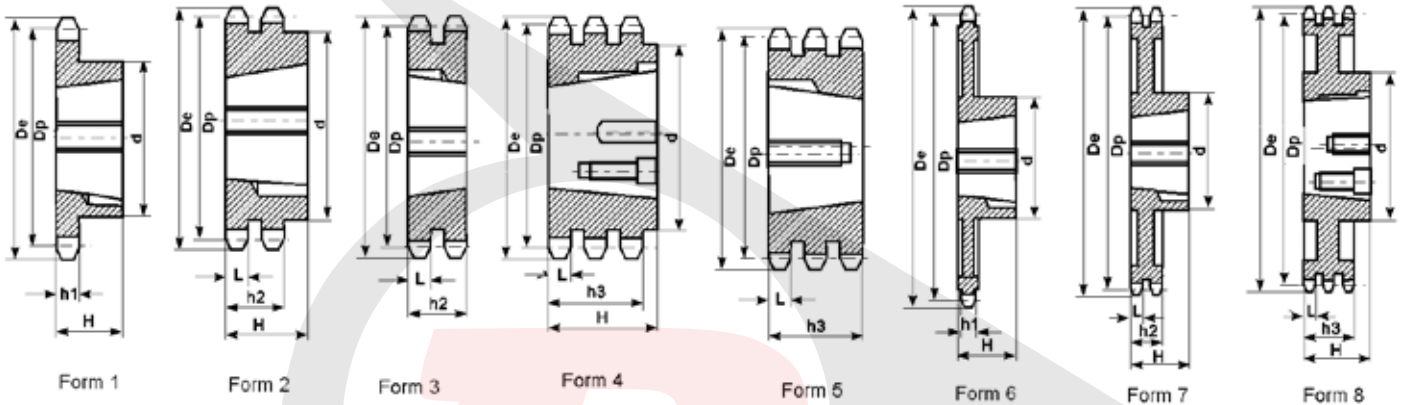
ROLLER CHAIN & SPROCKETS



TAPER BORE SPROCKETS - STEEL & CAST IRON

Description

Taper bore sprockets are manufactured to internationally recognised standards DIN8187-ISO/R 606 and are produced from C45 steel UNI EN 10083-1 having a minimum strength of 600 N/mm² and GG22 EN-GJL-200 UNI 1561 cast iron. They have a black phosphated finish to increase corrosion resistance so extending the sprockets working life. Conveniently stocked with a taper bore to suit a standard taper bush that are pre-bored to suit both metric & imperial bore and key way sizes. Available from stock to suit British standard roller chains from 06B (3/8" pitch) up to 20B (1-1/4" pitch) sizes in Simplex (single), Duplex (double) & Triplex (treble) rows of teeth.



06B Chain
3/8" x 7/32"

Pitch: 9.525mm
Internal width: 5.72mm
Roller dia: 6.35mm

Sprocket

Tooth radius: 10mm
Radius width C: 1mm
Tooth width h1: 5.3mm
Tooth width :L 5.2mm
Tooth width h2: 15.4mm
Tooth width h3: 25.6mm

06B-1 (31-)

06B-1 (32-)

06B-1 (33-)

Teeth	De	Dp	Simplex					Duplex					Triplex				
			Part No.	d	Bush	H	Form	Part No.	d	Bush	H	Form	Part No.	d	Bush	H	Form
17	55.30	51.83	31-17	45	1008	22	1	32-17	41	1008	22	2	33-17	-	1008	25,6	5
18	58.30	54.85	31-18	45	1008	22	1	32-18	43	1008	22	2	33-18	-	1008	-	-
19	61.30	57.87	31-19	45	1008	22	1	32-19	46	1008	22	2	33-19	-	1008	25,6	5
20	64.30	60.89	31-20	46	1008	22	1	32-20	48	1008	22	2	33-20	-	1008	-	-
21	68.00	63.91	31-21	46	1008	22	1	32-21	49	1008	22	2	33-21	-	1008	25,6	5
22	71.00	66.93	31-22	50	1108	22	1	32-22	52	1108	22	2	33-22	-	-	-	-
23	73.50	69.95	31-23	63	1210	25	1	32-23	59	1210	25	2	33-23	-	1210	25,6	5
24	77.00	72.97	31-24	63	1210	25	1	32-24	61	1210	25	2	33-24	-	-	-	-
25	80.00	76.02	31-25	63	1210	25	1	32-25	64	1210	25	2	33-25	-	1210	25,6	5
26	83.00	79.02	31-26	63	1210	25	1	32-26	65	1210	25	2	33-26	-	-	-	-
27	86.00	82.02	31-27	63	1210	25	1	32-27	70	1210	25	2	33-27	-	1210	25,6	5
28	89.00	85.07	31-28	63	1210	25	1	32-28	70	1210	25	2	33-28	-	-	-	-
30	94.70	91.12	31-30	63	1210	25	1	32-30	75	1210	25	2	33-30	79	1615	38	4
38	119.50	115.35	31-38	70	1210	25	1	32-38	80	1610	25	2	33-38	90	1615	38	4

06B-1 (31-) continued

06B-1 (32-) continued

06B-1 (33-) continued

Teeth	De	Dp	Simplex					Duplex					Triplex				
			Part No.	d	Bush	H	Form	Part No.	d	Bush	H	Form	Part No.	d	Bush	H	Form
*45	140.70	136.55	31-45	70	1210	25	1 or 6	32-45	80	1610	25	2 or 7	33-45	-	-	-	-
*57	176.90	172.91	31-57	70	1210	25	1 or 6	32-57	80	1610	25	2 or 7	33-57	-	-	-	-
*76	234.90	230.49	31-76	70	1210	25	1 or 6	32-76	80	1610	25	2 or 7	33-76	-	-	-	-
*95	292.50	288.08	31-95	80	1210	25	1 or 6	32-95	90	1610	25	2 or 7	33-95	-	-	-	-
*114	349.50	345.68	31-114	80	1215	38	1 or 6	32-114	95	1615	38	2 or 7	33-114	-	-	-	-

08B Chain
1/2" x 5/16"

Pitch: 12.7mm
Internal width: 7.75mm
Roller dia: 8.51mm

Sprocket

Tooth radius r: 13mm
Radius width C: 1.3mm
Tooth width h1: 7.2mm
Tooth width L: 7mm
Tooth width h2: 21mm
Tooth width h3: 34.9mm

08B-1 (41-)

08B-2 (42-)

08B-3 (43-)

Teeth	De	Dp	Simplex					Duplex					Triplex				
			Part No.	d	Bush	H	Form	Part No.	d	Bush	H	Form	Part No.	d	Bush	H	Form
15	65.50	61.90	41-15	45	1008	22	1	42-15	46	1008	22	2	43-15	-	1008	34.9	5
16	69.50	65.10	41-16	50	1108	22	1	42-16	50	1108	22	2	43-16	-	-	-	-
17	73.60	69.11	41-17	60	1210	25	1	42-17	56	1210	25	2	43-17	-	1210	34.9	5
18	77.80	73.14	41-18	60	1210	25	1	42-18	60	1210	25	2	43-18	-	-	-	-
19	81.70	77.16	41-19	63	1210	25	1	42-19	62	1210	25	2	43-19	-	1210	34.9	5
20	85.80	81.19	41-20	71	1610	25	1	42-20	66	1610	25	2	43-20	-	-	-	-
21	89.70	85.22	41-21	71	1610	25	1	42-21	70	1610	25	2	43-21	-	1610	34.9	5
22	93.80	89.24	41-22	71	1610	25	1	42-22	76	1610	25	2	43-22	-	-	-	-
23	98.20	93.27	41-23	76	1610	25	1	42-23	79	1610	25	2	43-23	-	1610	34.9	5
24	101.80	97.29	41-24	76	1610	25	1	42-24	84	1610	25	2	43-24	-	-	-	-
25	105.80	101.33	41-25	76	1610	25	1	42-25	87	2012	32	2	43-25	-	2012	34.9	5
26	110.00	105.36	41-26	76	1610	25	1	42-26	87	2012	32	2	43-26	-	-	-	-
27	114.40	109.40	41-27	76	1610	25	1	42-27	87	2012	32	2	43-27	-	2012	34.9	5
28	118.00	113.42	41-28	90	2012	32	1	42-28	87	2012	32	2	43-28	-	-	-	-
30	126.10	121.50	41-30	90	2012	32	1	42-30	87	2012	32	2	43-30	-	2012	34.9	5
38	158.60	153.80	41-38	90	2012	32	1	42-38	100	2012	32	2	43-38	-	2012	34.9	5
*45	188.00	182.07	41-45	100	2012	32	1 or 6	42-45	100	2012	32	2 or 7	43-45	-	-	-	-
*57	236.40	230.54	41-57	100	2012	32	1 or 6	42-57	100	2012	32	2 or 7	43-57	-	-	-	-
*76	313.30	307.33	41-76	100	2012	32	1 or 6	42-76	100	2012	32	2 or 7	43-76	-	-	-	-
*95	390.10	384.11	41-95	100	2012	32	1 or 6	42-95	100	2012	32	2 or 7	43-95	-	-	-	-
*114	466.90	460.90	41-114	110	2517	45	1 or 6	42-114	110	2012	45	2 or 7	43-114	-	-	-	-

10B Chain
5/8" x 3/8"

Pitch: 15.875mm
Internal width: 9.65mm
Roller dia: 10.16mm

Sprocket

Tooth radius r: 16mm
Radius width C: 1.6mm
Tooth width h1: 9.1mm
Tooth width L: 9mm
Tooth width h2: 25.5mm
Tooth width h3: 42.1mm

10B-1 (51-)

10B-2 (52-)

10B-3 (53-)

Teeth	De	Dp	Simplex					Duplex					Triplex				
			Part No.	d	Bush	H	Form	Part No.	d	Bush	H	Form	Part No.	d	Bush	H	Form
13	73.00	66.32	51-13	47	1008	22	1	52-13	-	-	-	-	53-13	-	-	-	-
14	78.00	71.34	51-14	52	1108	22	1	52-14	-	-	-	-	53-14	-	-	-	-
15	83.00	76.36	51-15	60	1210	25	1	52-15	-	1210	25,5	3	53-15	-	1210	42,1	5
16	88.00	81.37	51-16	70	1610	25	1	52-16	-	1610	25,5	3	53-16	-	-	-	-
17	93.00	86.36	51-17	71	1610	25	1	52-17	-	1610	25,5	3	53-17	-	1210	42,1	5
18	98.30	91.42	51-18	75	1610	25	1	52-18	-	1610	25,5	3	53-18	-	-	-	-
19	103.30	96.45	51-19	75	1610	25	1	52-19	-	1610	25,5	3	53-19	-	1615	42,1	5
20	108.40	101.49	51-20	75	1610	25	1	52-20	-	1610	25,5	3	53-20	-	-	-	-
21	113.40	106.52	51-21	76	1610	25	1	52-21	-	1610	25,5	3	53-21	-	1615	42,1	5
22	118.00	111.55	51-22	76	1610	25	1	52-22	-	1610	25,5	3	53-22	-	-	-	-
23	123.40	116.58	51-23	76	1610	25	1	52-23	-	1610	25,5	3	53-23	-	2012	42,1	5
24	128.30	121.62	51-24	90	1610	32	1	52-24	90	2012	32,0	2	53-24	-	-	-	-
25	134.00	126.66	51-25	90	2012	32	1	52-25	90	2012	32,0	2	53-25	105	2517	45,0	4
26	139.00	131.70	51-26	90	2012	32	1	52-26	90	2012	32,0	2	53-26	-	-	-	-
27	144.00	136.75	51-27	90	2012	32	1	52-27	90	2012	32,0	2	53-27	110	2517	45,0	4
28	148.70	141.78	51-28	90	2012	32	1	52-28	90	2012	32,0	2	53-28	-	-	-	-
30	158.80	151.87	51-30	90	2012	32	1	52-30	90	2012	32,0	2	53-30	120	2517	45,0	4
38	199.20	192.24	51-38	100	2012	32	1	52-38	108	2517	45,0	2	53-38	-	-	-	-
*45	235.00	227.58	51-45	100	2012	32	1 or 6	52-45	-	-	-	-	53-45	-	-	-	-
*57	296.00	288.18	51-57	100	2012	32	1 or 6	52-57	-	-	-	-	53-57	-	-	-	-
*76	392.10	384.16	51-76	100	2012	32	1 or 6	52-76	-	-	-	-	53-76	-	-	-	-
*95	488.50	480.14	51-95	110	2517	45	1 or 6	52-95	-	-	-	-	53-95	-	-	-	-
*114	584.10	576.13	51-114	110	2517	45	1 or 6	52-114	-	-	-	-	53-114	-	-	-	-

12B Chain
3/4" x 7/16"

Pitch: 19.05mm
Internal width: 11.68mm
Roller dia: 12.07mm

Sprocket

Tooth radius r: 19mm
Radius width C: 2mm
Tooth width h1: 11.1mm
Tooth width L: 10.8mm
Tooth width h2: 30.3mm
Tooth width h3: 49.8mm

12B-1 (61-)

12B-2 (62-)

12B-3 (63-)

Teeth	De	Dp	Simplex					Duplex					Triplex				
			Part No.	d	Bush	H	Form	Part No.	d	Bush	H	Form	Part No.	d	Bush	H	Form
13	87.50	79.59	61-13	60	1210	25	1	62-13	-	-	-	-	63-13	-	-	-	-
14	93.60	85.61	61-14	70	1610	25	1	62-14	-	-	-	-	63-14	-	-	-	-
15	99.80	91.63	61-15	70	1610	25	1	62-15	-	1610	30.3	3	63-15	-	1615	49,8	5
16	105.50	97.65	61-16	75	1610	25	1	62-16	-	1610	30.3	3	63-16	-	-	-	-
17	111.50	103.67	61-17	76	1610	25	1	62-17	-	1610	30.3	3	63-17	-	2012	49,8	5
18	118.00	109.71	61-18	90	2012	32	1	62-18	90	2012	32	2	63-18				
19	124.20	115.75	61-19	90	2012	32	1	62-19	90	2012	32	2	63-19	-	2012	49,8	5
20	129.70	121.78	61-20	90	2012	32	1	62-20	108	2517	45	2	63-20				
21	136.00	127.82	61-21	102	2517	45	1	62-21	108	2517	45	2	63-21	-	2517	49,8	5
22	141.80	133.86	61-22	102	2517	45	1	62-22	108	2517	45	2	63-22				
23	149.00	139.90	61-23	108	2517	45	1	62-23	108	2517	45	2	63-23	-	2517	49,8	5
24	153.90	145.94	61-24	108	2517	45	1	62-24	108	2517	45	2	63-24				
25	160.00	152.00	61-25	108	2517	45	1	62-25	108	2517	45	2	63-25	-	2517	49,8	5
26	165.90	158.04	61-26	108	2517	45	1	62-26	108	2517	45	2	63-26				
27	172.30	164.00	61-27	108	2517	45	1	62-27	108	2517	45	2	63-27	140	3020	51	4
28	178.00	170.13	61-28	108	2517	45	1	62-28	108	2517	45	2	63-28				
30	190.50	182.25	61-30	108	2517	45	1	62-30	108	2517	45	2	63-30	140	3020	51	4
38	239.00	230.69	61-38	108	2517	45	1	62-38	140	3020	51	2	63-38	140	3020	51	4
*45	282.50	273.10	61-45	108	2517	45	1 or 6	62-45	140	3020	51	2 or 7	63-45	140	3020	51	4 or 8
*57	355.40	345.81	61-57	108	2517	45	1 or 6	62-57	140	3020	51	2 or 7	63-57	140	3020	51	4 or 8
*76	469.90	460.99	61-76	108	2517	45	1 or 6	62-76	140	3020	51	2 or 7	63-76	140	3020	51	4 or 8
*95	585.10	576.17	61-95	108	2517	45	1 or 6	62-95	140	3020	51	2 or 7	63-95	140	3020	76	4 or 8
*114	700.60	691.36	61-114	108	2525	64	1 or 6	62-114	140	3030	76	2 or 7	63-114	140	3030	76	4 or 8



16B Chain
1" x 17.02mm

Pitch : 25.4mm
Internal width: 17.02mm
Roller dia: 15.88mm

Sprocket

Tooth radius r: 26mm
Radius width C: 2.5mm
Tooth width h1: 16.2mm
Tooth width L: 15.8mm
Tooth width h2: 47.7mm
Tooth width h3: 79.6mm

16B-1 (81-)

16B-2 (82-)

16B-3 (83-)

Teeth	De	Dp	Simplex					Duplex					Triplex				
			Part No.	d	Bush	H	Form	Part No.	d	Bush	H	Form	Part No.	d	Bush	H	Form
13	117.00	106.12	81-13	73	1610	25	1	82-13					83-13				
14	125.00	114.15	81-14	76	1610	25	1	82-14					83-14				
15	133.00	122.17	81-15	76	1610	25	1	82-15	-	2012	47.7	3	83-15				
16	141.00	130.20	81-16	90	2012	32	1	82-16	-	2517	47.7	3	83-16				
17	149.00	138.22	81-17	90	2012	32	1	82-17	-	2517	47.7	3	83-17		2517	79.6	5
18	157.00	146.28	81-18	108	2517	45	1	82-18	-	2517	47.7	3	83-18				
19	165.20	154.33	81-19	108	2517	45	1	82-19	-	2517	47.7	3	83-19		3020	79.6	5
20	173.20	162.38	81-20	108	2517	45	1	82-20	-	2517	47.7	3	83-20				
21	181.20	170.43	81-21	110	2517	45	1	82-21	140	3020	51	2	83-21		3020	79.6	5
22	189.30	178.48	81-22	110	2517	45	1	82-22	140	3020	51	2	83-22				
23	197.50	186.53	81-23	110	2517	45	1	82-23	140	3020	51	2	83-23		3525	79.6	5
24	205.50	194.59	81-24	110	2517	45	1	82-24	140	3020	51	2	83-24				
25	213.50	202.66	81-25	110	2517	45	1	82-25	140	3020	51	2	83-25		3525	79.6	5
26	221.60	210.72	81-26	110	2517	45	1	82-26	140	3020	51	2	83-26				
27	229.60	218.79	81-27	110	2517	45	1	82-27	140	3020	51	2	83-27		3525	79.6	5
28	237.70	226.85	81-28	110	2517	45	1	82-28	140	3020	51	2	83-28				
30	254.00	243.00	81-30	140	3020	51	1	82-30	140	3020	51	2	83-30	-	3525	79.6	5
38	320.70	307.59	81-38	140	3020	51	1	82-38	140	3020	51	2	83-38	-	3525	79.6	5
45	377.10	364.13	81-45	140	3020	51	1 or 6	82-45	140	3020	51	2 or 7	83-45	216	4030	79.6	5 or 8
*57	474.00	461.07	81-57	140	3020	51	1 or 6	82-57	175	3525	65	2 or 7	83-57	216	4030	79.6	5 or 8
*76	627.00	614.65	81-76	140	3020	51	1 or 6	82-76	175	3525	65	2 or 7	83-76	216	4030	79.6	5 or 8
*95	781.10	768.22	81-95	140	3020	51	1 or 6	82-95	215	3525	65	2 or 7	83-95	240	4030	79.6	5 or 8
*114	934.30	921.81	81-114	140	3030	76	1 or 6	82-114	215	4040	102	2 or 7	83-114	240	4545	115,0	4 or 8

20B-1 (101-)

Teeth	De	Dp	Simplex				
			Part No.	d	Bush	H	Form
13	147.80	132.65	101-13	90	2012	32	1
15	167.90	152.72	101-15	108	2517	45	1
17	187.90	172.78	101-17	108	2517	45	1
19	208.10	192.91	101-19	108	2517	45	1
21	228.20	213.04	101-21	108	2517	45	1
23	248.30	233.17	101-23	108	2517	45	1
25	268.50	253.33	101-25	108	2517	45	1
27	288.60	273.40	101-27	150	3020	51	1
30	318.90	303.75	101-30	150	3020	51	1
*38	399.60	384.49	101-38	160	3020	51	1 or 6
*45	470.30	455.17	101-45	160	3020	51	1 or 6
*57	591.50	576.36	101-57	160	3020	51	1 or 6
*76	783.50	768.32	101-76	160	3020	51	1 or 6

20B Chain
1-1/4" x 3/4"

Pitch : 31.75mm
Internal width: 19.56mm
Roller dia: 19.05mm

Sprocket

Tooth radius r: 32mm
Radius width C: 3.5mm
Tooth width h1: 18.5mm
Tooth width L: 18.2mm
Tooth width h2: 54.6mm
Tooth width h3: 91mm



IDLER SPROCKETS WITH BALL BEARING

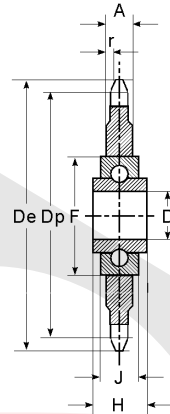


IDLER SPROCKETS WITH BALL BEARING

Description






Idler sprockets are manufactured to internationally recognised standards DIN8187-ISO/R 606 and are produced from C45 steel UNI EN 10083-1 having a minimum strength of 600 N/mm². Conveniently stocked with an integral ball bearing fitted (dimension 'D' for bore size).

Available from stock to suit British standard roller chains from 05B (8mm pitch) up to 20B (1-1/4" pitch) sizes in Simplex (single) row of teeth.



05B-1 TO 20B-1

Teeth	De	Dp	Part No.	Chain Type	B1	A	D	F	H	J
23	62.00	58.75	PW105B/23 IDLER	05B-1 8x1/8"	2.8	7	16 +0.13 +0.26	40	18.3	12
21	68.00	63.91	3SR21-IDLER	0B6-1 3/8"x7/32"	5.3	7	16 +0.13 +0.26	40	18.3	12
18	78.90	73.14	PW081/18 IDLER	081-1 1/2"x1/8"	3	7	16 +0.13 +0.26	40	18.3	12
18	78.90	73.14	PW083/18 IDLER	083-1 1/2"x3/16"	4.5	7	16 +0.13 +0.26	40	18.3	12
16	69.50	65.10	4SR16-IDLER	08B-1 1/2"x5/16"	7.2	7.2	16 +0.13 +0.26	40	18.3	12
18	77.80	73.14	4SR18-IDLER	08B-1 1/2"x5/16"	7.2	7.2	16 +0.13 +0.26	40	18.3	12
14	78.00	71.34	5SR14-IDLER	10B-1 5/8"x3/8"	9.1	9.1	16 +0.13 +0.26	40	18.3	12
15	83.00	76.36	5SR15-IDLER	10B-1 5/8"x3/8"	9.1	9.1	16 +0.13 +0.26	40	18.3	12
17	86.30	86.30	5SR17-IDLER	10B-1 5/8"x3/8"	9.1	9.1	16 +0.13 +0.26	40	18.3	12
13	87.50	79.59	6SR13-IDLER	12B-1 3/4"x7/16"	11.1	11.1	16 +0.13 +0.26	40	18.3	12
15	99.80	91.63	6SR15-IDLER	12B-1 3/4"x7/16"	11.1	11.1	16 +0.13 +0.26	40	18.3	12
12	109.00	98.14	8SR12-IDLER	16B-1 1"x17.02	16.2	16.2	20 +0.00 +0.01	47	17.7	14
13	147.80	132.65	10SR13-IDLER	20B-1 1"1/4x3/4"	18.5	18.5	25 +0.00 +0.01	52	21	15

	English
	Español
	Italiano
	Deutsch
	Français
	Nederlands
	Polskie

Engineering Data 211

Datos de ingeniería • Dati ingegneristici • Technische gegevens
Données d'ingénierie • Technische gegevens • Dane Inżynieria

Dunflex Couplings 213

Acoplamientos de Dunflex • Giunti Dunflex • Dunflex Kupplungen
Raccords Dunflex • Dunflex koppelingen • sprzęgła Dunflex

HRC Couplings 215

Acopladores de HRC • Giunti HRC • HRC-Kupplungen
Accouplements HRC • HRC koppelingen • sprzęgła HRC

Jaw Couplings 216

Acopladores de la quijada • Accoppiamenti della mascella • Kiefer-Kupplungen
Accouplements de mâchoire • Kaak koppelingen • sprzęgła szczękowe

Rigid Couplings 217

Acoplamientos rígidos • Giunti rigidi • Starre Kupplungen
Accouplements rigides • Starre koppelingen • sprzęgła sztywne



DUNFLEX COUPLING ENGINEERING DATA

Coupling Size	Flange Face Spacing (mm)	Gap Between Tyre Ends (mm)	Nominal Torque (Nm)	Max Speed (rev/min)	Max Par Mis (mm)	Max End Float (mm)	Size	Torque (Nm)
F40	22	2	24	4500	1.1	1.3	M6	15
F50	25	2	66	4500	1.3	1.7	M6	15
F60	33	2	127	4000	1.6	2.0	M6	15
F70	23	3	250	3600	1.9	2.3	M8	24
F80	25	3	375	3100	2.1	2.6	M8	24
F90	27	3	500	3000	2.4	3.0	M10	40
F100	27	3	675	2600	2.6	3.3	M10	40
F110	25	3	875	2300	2.9	3.7	M10	40
F120	29	3	1330	2050	3.2	4.0	M12	50
F140	32	5	2325	1800	3.7	4.6	M12	55
F160	30	5	3770	1600	4.2	5.3	M16	80
F180	46	6	6270	1500	4.8	6.0	M16	105
F200	48	6	9325	1300	5.3	6.6	M16	120
F220	55	6	11600	1100	5.8	7.3	M20	165
F250	59	6	14675	1000	6.6	8.2	M20	165

NB. All flexible inserts have an angular misalignment capacity up to 4 deg.

DUNFLEX couplings can accommodate simultaneous maximum misalignment in all planes without imposing undue loads on adjacent bearings and the excellent shock absorbing properties of the flexible insert reduce vibration and torsional oscillations. Inserts are available in natural rubber compounds for use in ambient temperatures of -15°C to +70°C and chlorophene compound should be used when fire resistance and anti-static (F.R.A.S) properties are required.

POWER RATINGS

SPEED RPM	COUPLING SIZE														
	F40	F50	F60	F70	F80	F90	F100	F110	F120	F140	F160	F180	F200	F220	F250
100	0.25	0.69	1.33	2.62	3.93	5.24	7.07	9.16	13.9	24.3	39.5	65.7	97.6	121	154
200	0.50	1.38	2.66	5.24	7.85	10.5	14.1	18.3	27.9	48.7	79.0	131	195	243	307
300	0.75	2.07	3.99	7.85	11.8	15.7	21.2	27.5	41.8	73.0	118	197	293	364	461
400	1.01	2.76	5.32	10.5	15.7	20.9	28.3	36.6	55.7	97.4	158	263	391	486	615
500	1.26	3.46	6.65	13.1	19.6	26.2	35.3	45.8	69.6	122	197	328	488	607	768
600	1.51	4.15	7.98	15.7	23.6	31.4	42.4	55.0	93.6	146	237	394	586	729	922
700	1.76	4.84	9.31	18.3	27.5	36.6	49.5	64.1	97.5	170	276	460	684	850	1076
720	1.81	4.98	9.57	18.8	28.3	37.7	50.9	66.0	100	175	284	473	703	875	1106
800	2.01	5.53	10.6	20.9	31.4	41.9	56.5	73.3	111	195	316	525	781	972	1229
900	2.26	6.22	12.0	23.6	35.3	47.1	63.6	82.5	125	219	355	591	879	1093	1383
960	2.41	6.63	12.8	25.1	37.7	50.3	67.9	88.0	134	234	379	630	937	1166	1475
1000	2.51	6.91	13.3	26.2	39.3	52.4	70.7	91.6	139	243	395	657	976	1215	1537
1200	3.02	8.29	16.0	31.4	47.1	62.8	84.8	110	167	292	474	788	1172	-	-
1400	3.52	9.68	18.6	36.6	55.0	73.3	99.0	128	195	341	553	919	-	-	-
1440	3.62	9.95	19.1	37.7	56.5	75.4	102	132	201	351	568	945	-	-	-
1600	4.02	11.1	21.3	41.9	62.8	83.8	113	147	223	390	632	-	-	-	-
1800	4.52	12.4	23.9	47.1	70.5	94.2	127	165	251	438	-	-	-	-	-
2000	5.03	13.8	26.6	52.4	78.5	105.5	141	183	279	The figures in heavier type are for standard motor speeds. All these power ratings are calculated at constant torque. For speeds below 100 rev/min and intermediate speeds use nominal torque ratings.					
2200	5.53	15.2	29.3	57.6	86.4	115	155	202	-						
2400	6.03	16.6	31.9	62.8	94.2	126	170	-	-						
2600	6.53	18.0	34.6	68.1	102	136	184	-	-						

PHYSICAL CHARACTERISTICS

CHARACTERISTICS	COUPLING SIZE														
	F40	F50	F60	F70	F80	F90	F100	F110	F120	F140	F160	F180	F200	F220	F250
Maximum speed rev/min	4500	4500	4000	3600	3100	3000	2600	2300	2050	1800	1600	1500	1300	1100	1000
Nominal Torque Nm T_{KN}	24	66	127	250	250	500	675	875	1330	2325	3770	6270	9325	11600	14675
Maximum Torque Nm T_{KMAX}	64	160	318	487	487	1096	1517	2137	3547	5642	9339	16455	23	33125	42740
Torsional Stiffness Nm/°	5	13	26	41	41	91	126	178	296	470	778	1371	1959	2760	3562
Max. parallel misalignment (mm)	1.1	1.3	1.6	1.9	1.9	2.4	2.6	2.9	3.2	3.7	4.2	4.8	5.3	5.8	6.6
Maximum End Float mm \pm	1.3	1.7	2.0	2.3	2.3	3.0	3.3	3.7	4.0	4.6	5.3	6.0	6.6	7.3	8.2
Approximate mass, kg	0.1	0.3	0.5	0.7	1.0	1.1	1.1	1.4	2.3	2.6	3.4	7.7	8.0	10	15
Alternating Torque \pm Nm @ 10Hz T_{KW}	11	26	53	81	127	183	252	356	591	940	1556	2742	3918	5521	7124
Resonance Factor V_B	7	7	7	7	7	7	7	7	7	7	7	7	7	7	7
Damping Coefficient Ψ	0.9	0.9	0.9	0.9	0.9	0.9	0.9	0.9	0.9	0.9	0.9	0.9	0.9	0.9	0.9

Maximum torque figures should be regarded as short duration overload ratings for use in such circumstances as direct-on-line starting.

HRC COUPLING ENGINEERING DATA

HRC Couplings - These semi elastic couplings designed for general use purpose use, permit quick and easy assembly by means of Taper Lock bush fixing. Fully machined outside diameters allow alignment by simple straight edge methods. Shaft connection is 'fail safe' due to interacting dog design.

SPEED RPM	POWER RATINGS (kW) - COUPLING SIZE							
	70	90	110	130	150	180	230	280
100	0.33	0.84	1.68	3.30	6.28	9.95	20.9	33.0
200	0.66	1.68	3.35	6.60	12.6	19.9	41.9	65.0
400	1.32	3.35	6.70	13.2	25.1	39.8	83.8	132
600	1.98	5.03	10.1	19.8	37.7	59.7	126	198
720	2.37	6.03	12.1	23.8	45.2	71.6	151	238
800	2.64	6.70	13.4	26.4	50.3	79.6	168	264
960	3.17	8.04	16.1	31.7	60.3	95.5	201	317
1200	3.96	10.1	20.1	39.6	75.4	119	251	396
1440	4.75	12.1	24.1	47.5	90.5	143	302	475
1600	5.28	13.4	26.8	52.8	101	159	335	528
1800	5.94	15.1	30.2	59.4	113	179	377	594
2000	6.60	16.8	33.5	66.0	126	199	419	660
2200	7.26	18.4	36.9	72.6	138	219	461	726
2400	7.92	20.1	40.2	79.2	151	239	503	-
2600	8.58	21.8	43.6	85.8	163	259	545	-
2880	9.50	24.1	48.3	95	181	286	-	-
3000	9.90	25.1	50.3	99	188	298	-	-
3600	11.9	30.1	60.3	118	226	-	-	-
Nominal Torque (Nm)	31.5	80	160	315	600	950	2000	3150
Max Torque (Nm)	72	180	360	720	1500	2350	5000	7200

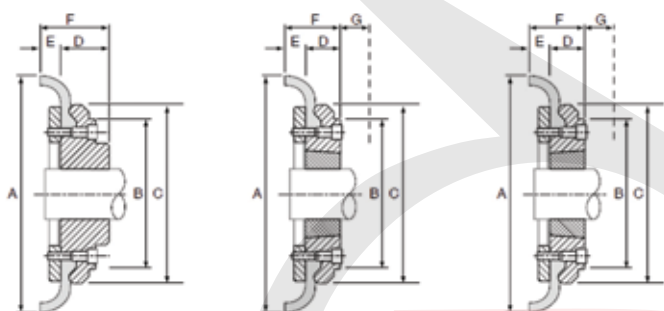


DUNFLEX COUPLINGS

Description

DUNFLEX coupling flanges are available in either F (Taper Bush fits inside) or H (Taper Bush fits outside) or pilot bored (PB) which can be bored in house to the required size. They can accommodate simultaneous misalignment without imposing undue loads on adjacent bearings, they have excellent shock absorbing properties that reduces vibration and torsional oscillation. Inserts are available in either natural rubber for use in ambient temperatures between -50°C & +50°C or chloroprene rubber for use in temperatures between -15°C and +70°C fire resistance and anti-static properties (F.R.A.S).

Sizes 040 to 060

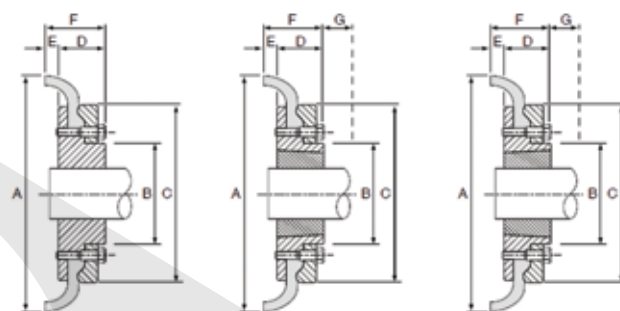


Pilot Bore (B)

Taper Flange (F)

Taper Flange (H)

Sizes 070 to 250



Pilot Bore (B)

Taper Flange (F)

Taper Flange (H)

DUNFLEX COUPLINGS

Coupling Size	Bush Size	Max Bore		A	B	C	E	G	Types F & H		Types B		Clamping Screw	Weight (kg)	Inertia (kgm ²)
		Metric	Inch						F	D	F	D			
F040B	-	32	-	104	-	82	11.0	29	-	-	33.0	22	M5	0.8	0.00074
F040F	1008	25	1"	104	-	82	11.0	29	33.0	22	-	-	-	0.8	0.00074
F040H	1008	25	1"	104	-	82	11.0	29	33.0	22	-	-	-	0.80	0.00074
F050B	-	38	-	133	79	100	12.5	38	-	-	-	-	-	-	0.00115
F050F	1210	32	1.1/4"	133	79	100	12.5	38	38.0	25	-	-	-	1.2	0.00115
F050H	1210	32	1.1/4"	133	79	100	12.5	38	39.0	25	-	-	-	1.2	0.00115
F060B	-	45	-	165	70	125	16.5	38	-	-	55.0	38	M6	2.0	0.0052
F060F	1610	42	1.5/8"	165	103	125	16.5	38	42.0	25	-	-	-	2.0	0.0052
F060H	1610	42	1.5/8"	165	103	125	16.5	38	42.0	25	-	-	-	2.0	0.0052
F070B	-	50	-	187	80	144	11.5	-	-	-	47.0	35	M10	3.1	0.009
F070F	2012	50	2"	187	80	144	11.5	42	44.0	32	-	-	-	3.1	0.009
F070H	1610	42	1.5/8"	187	80	144	11.5	38	42.0	25	-	-	-	3.0	0.009
F080B	-	60	-	211	98	167	12.5	-	-	-	55.0	42	M10	4.9	0.018
F080F	2517	60	2.1/2"	211	97	167	12.5	48	58.0	45	-	-	-	4.9	0.018
F080H	2012	50	2"	211	98	167	12.5	42	45.0	32	-	-	-	4.6	0.017
F090B	-	70	-	235	112	188	13.5	-	-	-	63.5	49	M12	7.1	0.032
F090F	2517	60	2.1/2"	235	108	188	13.5	48	59.5	45	-	-	-	7.0	0.031
F090H	2517	60	2.1/2"	235	108	188	13.5	48	59.5	45	-	-	-	7.0	0.031
F100B	-	80	-	254	125	216	13.5	-	-	-	70.5	56	M12	9.9	0.055

DUNFLEX COUPLING continued

Coupling Size	Bush Size	Max Bore							Types F & H		Types B		Clamping Screw	Weight (kg)	Inertia (kgm ²)
		Metric	Inch	A	B	C	E \parallel	G	F	D	F	D			
F100F	3020	75	3"	254	120	216	13.5	55	65.5	51	-	-	-	9.9	0.055
F100H	2517	60	2.1/2"	254	113	216	13.5	48	59.5	45	-	-	-	9.4	0.054
F110B	-	90	-	279	128	233	12.5	-	-	-	75.5	63	M12	12.5	0.081
F110F	3020	75	3"	279	134	233	12.5	55	63.5	51	-	-	-	11.7	0.078
F110H	3020	75	3"	279	134	233	12.5	55	63.5	51	-	-	-	11.7	0.078
F120B	-	100	-	314	143	264	14.5	-	-	-	94.5	70	M16	16.9	0.137
F120F	3525	100	4"	314	140	264	14.5	67	79.5	65	-	-	-	16.5	0.137
F120H	3020	75	3"	314	140	264	14.5	55	65.5	51	-	-	-	15.9	0.13
F140B	-	130	-	359	178	311	16.0	-	-	-	110.5	94	M20	22.2	0.254
F140F	3525	100	4"	359	178	311	16.0	67	81.5	65	-	-	-	22.3	0.255
F140H	3525	100	4"	359	178	311	16.0	67	81.5	65	-	-	-	22.3	0.255
F160B	-	140	-	402	187	345	15.0	-	-	-	117.0	102	M20	35.8	0.469
F160F	4030	115	4.1/2"	402	197	345	15.0	80	92.0	77	-	-	-	32.5	0.38
F160H	4030	115	4.1/2"	402	197	345	15.0	80	92.0	77	-	-	-	32.5	0.38
F180B	-	150	-	470	200	398	23.0	-	-	-	137.0	114	M20	49.1	0.871
F180F	4535	125	5"	470	205	398	23.0	89	112.0	89	-	-	-	42.2	0.847
F180H	4535	125	5"	470	205	398	23.0	89	112.0	89	-	-	-	42.2	0.847
F200B	-	150	-	508	200	429	24.0	-	-	-	138.0	114	M20	58.2	1.301
F200F	4535	125	5"	508	205	429	24.0	89	113.0	89	-	-	-	53.6	1.281
F200H	4535	125	5"	508	205	429	24.0	89	113.0	89	-	-	-	53.6	1.281
F220B	-	160	-	562	218	474	27.5	-	-	-	154.5	127	M20	79.6	2.142
F220F	5040	125	5"	562	223	474	27.5	92	129.5	102	-	-	-	72.0	2.104
F220H	5040	125	5"	562	223	474	27.5	92	129.5	102	-	-	-	72.0	2.104
F250B	-	190	-	628	254	532	29.5	-	-	-	161.5	132	M20	104.0	3.505

Notes.

- G = Wrench clearance needed to allow for the tightening or loosening of the bush on the shaft as well as the flange clamping screws.
- E = Half the distance required between flanges faces.
- # = Weight and inertia figures are for a single flange including mid range bore, clamping ring, screws and half of an insert.



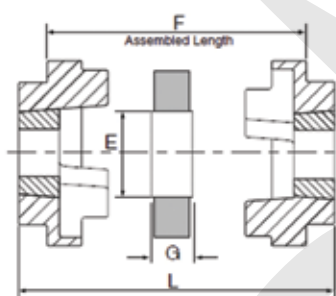


HRC COUPLINGS

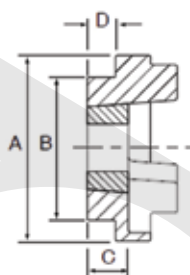
Description

HRC coupling flanges are available in either F (Taper Bush fits inside) or H (Taper Bush fits outside) or pilot bored (PB) which can be bored in house to the required size. These semi-elastic couplings are designed for general purpose use, they permit quick and easy assembly by means of taper bush fixing to the mating shaft.

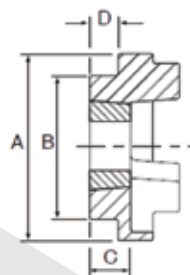
Inserts are available in either natural rubber for use in ambient temperatures between -50°C & +50°C or chloroprene rubber for use in temperatures between -15°C and +70°C fire resistance and anti-static properties (F.R.A.S).



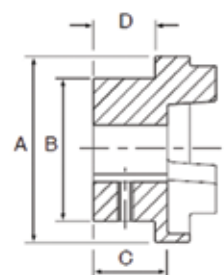
HRC Assembly



F Flange (Taper Bore)



H Flange (Taper Bore)



B Flange (Pilot Bore)

HRC COUPLINGS

Coupling No.	Nominal torque Nm	Overall Diameter A	Hub Diameter B	Flange Length F	Insert Bore Dia E	Insert Width G	Parallel Misalignment (mm)	Weight (kg)	Assembled Length		
									L FF, FH, HH	L FB, HB	L BB
HRC70	31	69	60	25.5	31	18.5	0.3	1.00	65.5	65.5	65.5
HRC90	80	85	70	30.5	32	22.5	0.3	1.17	69.5	76.5	82.5
HRC110	160	112	100	45.5	45	29.5	0.3	5.00	82.5	100.5	119.5
HRC130	315	130	105	53.5	50	36.5	0.4	5.46	89.5	110.5	131.5
HRC150	600	150	115	60.5	62	40.5	0.4	7.11	107.5	129.5	152.5
HRC180	950	180	125	73.5	77	49.5	0.4	16.65	142.5	165.5	189.5
HRC230	2000	225	155	85.5	99	59.5	0.5	26.05	164.5	202.5	239.5
HRC280	3150	275	206	105.5	119	74.5	0.5	50.05	207.5	246.5	285.5

Angular misalignment capacity up to 1 deg. Mass is for an FF, FH or HH coupling with mid range Taper Bushes

F refers to combinations of flanges: FF, FH, HH, FB, HB, BB.

HRC TYPE F & H

Coupling No.	Bush Size	(mm)	(ins)	Shoulder Width D	Hub Width C
HRC70	1008	25	1	20.0	23.5
HRC90	1108	28	1.1/8	19.5	23.5
HRC110	1610	42	1.5/8	18.5	26.5
HRC130	1610	42	1.5/8	18.0	26.5
HRC150	2012	50	2	23.5	33.5
HRC180	2517	60	2.1/2	34.5	46.5
HRC230	3020	75	3	39.5	52.5
HRC280	3525	100	4	51.0	66.5

HRC TYPE B

Coupling No.	Max Bore (mm)	Pilot Bore (mm)	Keyway Screw Size	Shoulder Width D	Hub Width C
HRC70	32	8	M6	20	23.5
HRC90	42	10	M6	26	30.5
HRC110	55	10	M10	37	45.5
HRC130	60	15	M10	39	47.5
HRC150	70	20	M10	46	56.5
HRC180	80	25	M10	58	70.5
HRC230	100	25	M12	77	90.5
HRC280	115	30	M16	90	105.5



COUPLINGS

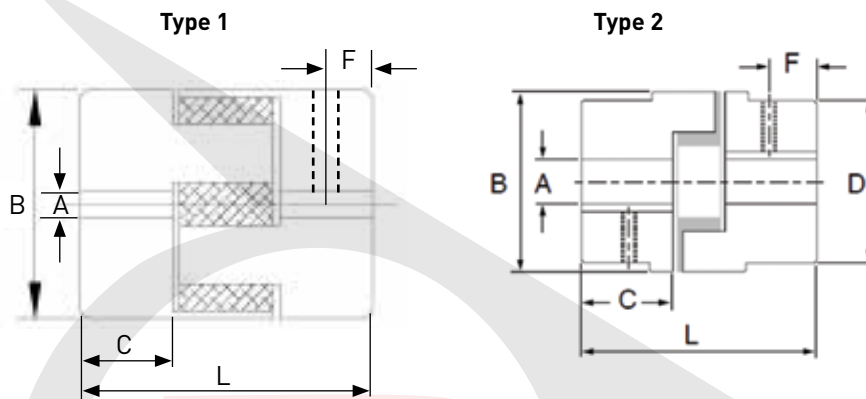


JAW COUPLING

Description

Jaw coupling flanges are available either pilot bored (PB) which can be bored in house to the required shaft size they are also conveniently held in stock in all popular metric and imperial bore sizes with corresponding key way and 2 grub screws at 90° to each other for securing to a shaft.

They suit general purpose applications that cater for misalignment, shock loads and damp out small amplitude vibrations.



JAW COUPLING SECTION

Coupling No.	Type	Nominal torque (Nm)	Pilot Bore A (mm)	Max Bore A (mm)	Overall Diameter B	Assembled Length L	Hub Width C	Hub Diameter D	Position F	Size	Complete Weight (kg)
L035	1	-	3	8	16.0	20	7	16.0	3.0	M3	0.06
L050	1	3.51	6	14	27.5	44	16	27.5	6.5	M6	0.10
L070	1	5.77	9	19	35.0	51	19	35.0	9.5	M6	0.25
L075	1	11.90	9	24	44.5	54	21	44.5	8.0	M6	0.45
L090	1	19.20	9	24	54.0	54	21	54.0	8.7	M6	0.55
L095	1	25.80	9	28	54.0	64	25	54.0	11.5	M6	0.65
L100	1	55.40	12	35	65.0	89	35	65.0	12.5	M8	1.60
L110	1	105.00	15	42	84.0	108	43	84.0	20.5	M10	3.00
L150	1	150.00	15	48	96.0	115	45	96.0	22.5	M10	4.90
L190	2	200.00	19	55	115.0	133	54	102.0	22.5	M12	7.00
L225	2	280.00	19	60	127.0	153	64	108.0	25.5	M12	9.00

Angular misalignment capacity up to 1 deg.

Parallel misalignment capacity up to 0.38mm

Mass is for a complete coupling with a pilot bore

Nitrile insert temperature range -40°C to 100°C



COUPLINGS

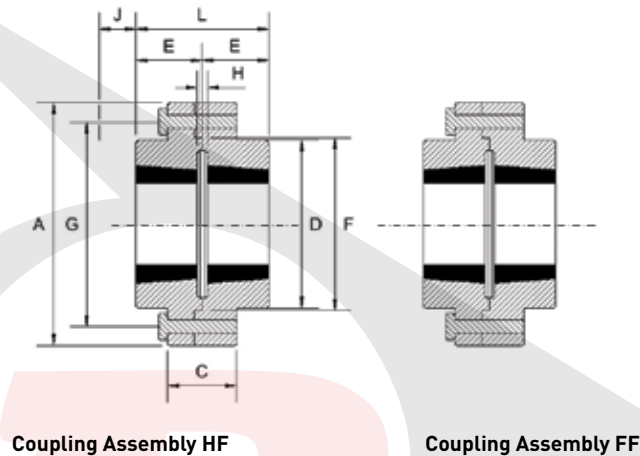


RIGID COUPLING DATA

Description

Taper Bore Rigid Couplings provide a convenient method of rigidly connecting ends of shafts. These couplings have a male and female flange fully machined. The male flange can have the taper bush fitted from the Hub side (H) or from the Flange side (F), the female flange always has the bush fitting (F).

This gives two possible coupling assemblies (HF) and (FF). When connecting horizontal shafts, the most convenient assembly should be chosen. When connecting vertical shafts use assembly (FF) only.



SELECTION

Part No.	Bush No.	Metric		A	C	D	E	F Nominal	G Nominal	H†	J*	L	Mass ‡ (kg)
			Inch										
RM12 FF	1210	32	1 1/4"	118	35	83	25	76	102	7	38	57	3.5
RM12 HF	1210	32	1 1/4"	118	35	83	25	76	102	7	38	57	3.5
RM16 FF	1610	42	1 5/6"	127	43	80	25	89	105	7	38	57	4.0
RM16 HF	1610	42	1 5/6"	127	43	80	25	89	105	7	38	57	4.0
RM25 FF	2517	60	2 1/2"	178	51	123	45	127	149	7	48	97	11
RM25 HF	2517	60	2 1/2"	178	51	123	45	127	149	7	48	97	11
RM30 FF	3020	75	3"	216	65	146	51	152	181	7	54	109	20
RM30 HF	3020	75	3"	216	65	146	51	152	181	7	54	109	20
RM35 FF	3525	100	4"	248	75	178	65	178	213	7	67	137	34
RM35 HF	3525	100	4"	248	75	178	65	178	213	7	67	137	34
RM40 FF	4030	110	4 1/2"	298	76	210	76	216	257	7	79	159	59
RM40 HF	4030	110	4 1/2"	298	76	210	76	216	257	7	79	159	59
RM45 FF	4535	125	5"	330	86	230	89	241	286	7	89	185	80
RM45 HF	4535	125	5"	330	86	230	89	241	286	7	89	185	80
RM50 FF	5040	125	5"	362	92	266	102	267	314	7	92	211	135
RM50 HF	5040	125	5"	362	92	266	102	267	314	7	92	211	135

All dimensions in millimetres unless otherwise stated.

* J is the wrench clearance to allow for tightening and loosening the bushing on the shaft. The use of a shortened wrench will permit this dimension to be reduced.

† H is the distance between shaft ends.

‡ Masses given are for couplings with mid-range bore Taper Lock Bushes.

**English****Español****Italiano****Deutsch****Français****Nederlands****Polskie****Weld on Hubs****219**

Soldar en cubos • Mozzi a saldare • Schweißen auf Naben
Souder sur moyeux • Lassen op hubs • Spoina na piastach

Bolt on Hubs**220**

Perno en cubos • Bullone su mozzi • Bolzen auf Naben
Boulon sur moyeux • Bolt op hubs • Bolt na piastach

Taper Bush Adaptors**221**

Adaptadores cónicos • Adattatori a bussola conica • Taper Bush-Adapter
Adaptateurs de cône bush • Taper bush adapters • Adaptery stożek krzak





HUBS & ADAPTORS

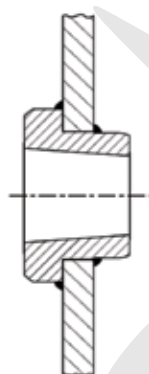


WELD ON HUBS

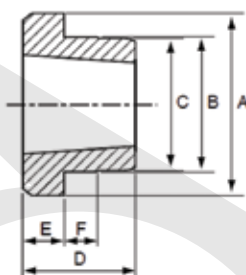
Description

Taper Bore Weld-on-Hubs are made out of steel, drilled, tapped and taper bored to receive standard Taper Bushes. The extended flange provides a convenient means of welding hubs into fan rotors, steel pulleys, plate sprockets, impellers and other devices which must be firmly fastened to the shaft.

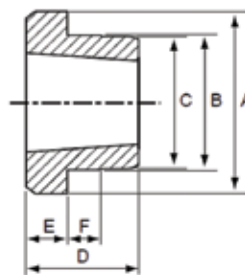
Weld-on-Hubs are easy to install and entirely suitable for use where severe operating conditions are met. Weld-onHubs are manufactured to complement the Taper Bush range. All are manufactured from C45 Steel.



Typical Assembly



W Weld-on-Hub



WH Weld-on-Hub

W WELD-ON-HUBS

Hub Reference	Bush Number	A	B	C	D	E	F
W12	1215	73.03	63.50	62.71	38.10	15.88	9.53
W16	1615	82.55	73.03	72.24	38.10	15.88	9.53
W20	2017	101.60	80.90	88.11	44.45	19.05	14.45
W25	2517	127.00	111.13	110.34	44.45	19.05	12.70
W30	3030	149.86	133.35	132.56	76.20	25.40	19.05
W35	3535	184.15	158.75	157.96	88.90	31.75	25.40
W40	4040	225.43	196.85	196.06	101.60	31.75	31.75
W45	4545	254.00	222.25	221.46	114.30	38.10	38.10

WH WELD-ON-HUBS

Hub Reference	Bush Number	A	B	C	D	E	F
WH12	1210	70	65	64.5	25	9	10
WH16-1	1610	80	75	74.5	25	9	10
WH20	2012	95	90	89.5	32	12	12
WH25	2517	115	110	109.5	44	19	15
WH30	3020	145	140	139.5	50	20	15
WH35	3525	190	180	179.5	65	25	25
WH40-1	4030	200	190	189.0	76	32	30
WH40-2	4040	200	190	189.5	101	32	30
WH45-1	4535	210	200	190.5	89	40	30
WH45-2	4545	210	200	190.5	114	40	30
WH50-1	5040	230	220	210.5	102	40	35
WH50-2	5050	230	220	219.5	127	40	35



HUBS & ADAPTORS



BOLT ON HUBS

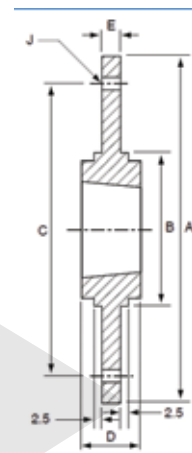
Description

Taper Bore Bolt-on-Hubs are designed for use with the universally accepted Taper Bush. They provide a convenient means of securing fan rotors, impellers, agitators and other devices which must be fastened firmly to shafts.

Bolt-on-Hubs, type BF and SM, complete the range. They are manufactured from GG22 cast iron and are phosphated for extra rust protection.

SM BOLT-ON-HUBS

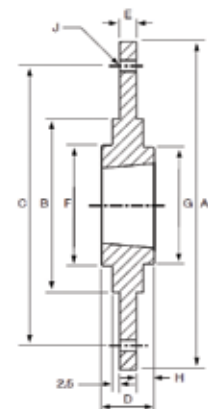
Hub Reference	Bush Number	A	B	C	D	E	J (No. x Diam)
SM 12	1210	180	90	135	26	6.5	6 X 7.5
SM 16-1	1610	200	110	150	26	7.5	6 X 7.5
SM 16-2	1615	200	110	150	38	7.5	6 X 7.5
SM 20	2012	270	140	190	32	8.5	6 X 9.5
SM 25	2517	340	170	240	45	9.5	6 X 11.5
SM 30-1	3020	430	220	300	51	13.5	8 X 13.5
SM 30-2	3020	485	250	340	51	13.5	8 X 13.5



SM Bolt-on-Hub

BF BOLT-ON-HUBS

Hub Reference	Bush Number	A	B	C	D	E	G	H	J (No. x Diam)
BF12	1210	120	80	100	25	5.5	80	10	6 X 7.5
BF16	1610	130	90	110	25	6.5	90	10	6 X 7.5
BF20	2012	145	100	125	32	8.5	100	13	6 X 9.5
BF25	2517	185	130	155	44	11.5	119	20	8 X 11.5
BF30	3020	220	165	190	50	11.5	147	20	8 X 13.5



BF Bolt-on-Hub



HUBS & ADAPTORS



ADAPTORS

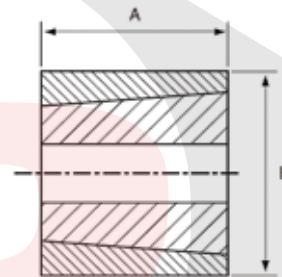
Description

Taper Bush Adaptors are used with mating components that have a parallel bore, allowing them to take a standard Taper Bush that is pre-machined with the required bore and key way size.

This added convenience removes the need to drill, tap and taper-bore.

TAPER BUSH ADAPTORS

Hub Type	A	B	Key Section
1008PM	22	45	-
1008KM	22	45	5 X 5
1210PM	25	60	-
1210KM	25	60	6 X 6
1610PM	25	70	-
1610KM	25	70	10 X 8
2517PM	45	105	-
2517KM	45	105	16 X 10
3030PM	76	130	-
3030KM	76	130	20 X 12
3535PM	90	160	-
3535KM	90	160	22 X 12
4040PM	102	185	-
4040KM	102	185	24 X 12



Adaptors

PM = Plain outside diameter
 KM = Keyway on outside diameter allowing additional torque transmission


English

Español

Italiano

Deutsch

Français

Nederlands

Polskie
Engineering Data
223

Datos de ingeniería • Dati ingegneristici • Technische gegevens

Données d'ingénierie • Technische gegevens • Dane Inżynieria

Installation Details
224

Detalles de instalación • Dettagli di installazione • Details zur Installation

Détails d'installation • Installatiedetails • szczegóły dotyczące instalacji

Metric Taper Bushes
225

Casquillos cónicos métricos • Bussole coniche metriche

Metrische Kegel Büsche • Métriques moyeux amovibles

Metrische taper struiken • Metryczne tuleje stożkowe

Imperial Taper Bushes
227

Casquillos cónicos imperiales • Bussole coniche imperial

Imperial taper-Buchsen • Imperial moyeux amovibles

Imperial taper struiken • Cesarskie tuleje stożkowe



MINIMUM DIAMETERS OF TAPER BORED HUBS

The following table shows the recommended minimum diameter in mm for bespoke component hubs that are to be drilled, tapped and taper bored for use with Dunlop Taper bushes. All standard Dunlop Taper bushes are tested to ensure that they are capable of safely containing the radial and circumferential hub stresses generated by the wedging mechanism which makes Taper bushes the equivalent of a shrink-on fit.

TAPER BUSH	MINIMUM HUB DIAMETERS (mm) FOR VARIOUS MATERIALS			
	TENSILE STRENGTH N/mm ²			
	CAST IRON 180	CAST IRON 250	STEEL 420	STEEL 600
1008	62	54	51	47
1108	64	57	54	50
1210	104	86	78	69
1610	109	92	85	78
1615	90	81	77	73
2012	121	106	99	92
2517	130	119	113	108
3020	160	146	140	132
3030	144	136	132	127
3525	211	191	178	167
3535	191	176	168	160
4030	224	207	197	186
4040	209	195	188	180
4535	223	212	205	198
4545	215	205	200	194
5040	240	229	223	216
5050	233	223	219	213

AVERAGE SLIP TORQUES FOR TAPER BUSH FIXING

The following table shows average slip torque values in Nm for each basic Taper bush size with a variety of common metric bore diameters. The values assume that the assembly uses a Dunlop Taper bush fitted in accordance with the instructions supplied with every bush to a hub prepared to the Dunlop specification. With a key, the slip tendency transfers to the bush/hub interface at a greater torque value related to the ratio of bush outer dia to bore dia.

TAPER BUSH	BORE (mm)	AVERAGE SLIP TORQUE (Nm)
1008	12	29
	19	59
	24	66
1108	12	28
	19	49
	28	79
1210	16	82
	24	142
	32	210
1610 1615	19	98
	24	135
	42	265
2012	24	320
	42	340
	50	420
2517	24	220
	42	430
	60	670

TAPER BUSH	BORE (mm)	AVERAGE SLIP TORQUE (Nm)
3020 3030	38	520
	55	890
	75	1300
3525* 3535	42	1000
	75	2150
	100	3075
4030* 4040	48	1700
	75	3150
	115	5150
4535 4545	55	2500
	100	5500
	125	6625
5040 5050	75	3950
	100	5650
	125	7370

Large bores marked* are only available in bush sizes marked*

TO INSTALL

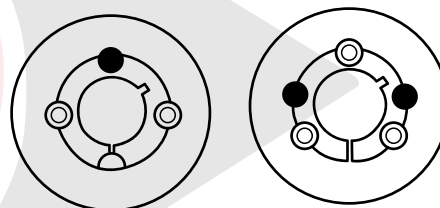
- Remove the protective coating from the bore and outside of bush and bore of hub. After ensuring that the mating tapered surfaces are completely clean and free from oil or dirt, insert bush in hub so that holes line up.
- Sparingly oil thread and point of grub screws, or thread and under head of cap screws. Place screws loosely in holes threaded in hub, shown thus in diagram.
- If a key is to be fitted place it in the shaft keyway before fitting the bush. It is essential that it is a parallel key and side fitting only and has TOP CLEARANCE.
- Clean shaft and fit hub to shaft as one unit and locate in position desired, remembering that bush

will nip the shaft first and then the hub will be slightly drawn on to the brush.

- Using a hexagon wrench tighten screws gradually and alternately to torque shown in table below.
- Hammer against large-end of bush, using a block or sleeve to prevent damage. (This will ensure that the bush is seated squarely in the bore). Screws will now turn a little more. Repeat this alternate hammering and screw tightening once or twice to achieve maximum grip on the shaft.
- After drive has been running under load for a short time stop and check tightness of screws.
- Fill empty holes with grease to exclude dirt.

TO REMOVE

- Slacken all screws by several turns, remove one or two according to number of removal holes shown thus in diagram. Insert screws into removal holes after oiling thread and under head of cap screws.
- Tighten screws alternately until bush is loosened in hub and assembly is free on the shaft.
- Remove assembly from shaft.



Removal holes

BUSH SIZE		1008	1108	1210	1610	1615	2012	2517	3020	3030	3525	3535	4030	4040	4535	4545	5040	5050
Screw tightening torque (Nm)		5.6	5.6	20	20	20	30	50	90	90	115	115	170	170	190	190	270	270
QTY		2	2	2	2	2	2	2	2	2	3	3	3	3	3	3	3	3
Screw Details	Size (BSW)	1/4"	1/4"	3/8"	3/8"	3/8"	7/16"	1/2"	5/8"	5/8"	1/2"	1/2"	5/8"	5/8"	3/4"	3/4"	7/8"	7/8"
	Hex, Socket size (mm)	3	3	5	5	5	6	6	8	8	10	10	12	12	14	14	14	14
Large end dia. (mm)		35.0	38.0	47.5	57.0	57.0	70.0	85.5	108	108	127	127	146	146	162	162	178	178
Bush length (mm)		22.3	22.3	25.4	25.4	38.1	31.8	44.5	50.8	76.2	63.5	89.0	76.2	102	89.0	114	102	127
Approx mass (kg)		0.1	0.1	0.2	0.3	0.5	0.7	1.5	2.7	3.6	3.8	5.0	5.6	7.7	7.5	10.0	11.1	14.0



TAPER BUSHES



TAPER BUSHES

Description

Dunlop Taper Bushes are the most convenient and cost effective method of fixing components to a mating shaft without using any special tools. Taper Bushes are pre-machined with the required bore & keyway size and are supplied complete with locking set screws, thus making savings in time and cost on any machining process. They are available with both metric or imperial bore and keyway size options.

Taper Bushes are designed for use with V-Pulleys, Chain Sprockets, Micro V-Pulleys, Timing Belt Pulleys, Couplings, Weld-On & Bolt-On Hubs. Part numbers are identified by a 4 digit number (e.g. 1610) which represents the taper bush series followed by the bore size (e.g. 28mm) for example 1610x28mm.

METRIC BORES AND KEYWAYS

BORE DIA.	KEYWAY		SHALLOW KEYWAY DEPTH	TAPER BUSH PART NUMBER								
	WIDTH	DEPTH		1008	1108	1210	1610	1615	2012	2517	3020	3030
9	3	1.4	-	*	*							
10	3	1.4	-	*	*							
11	4	1.8	-	*	*	*						
12	4	1.8	-	*	*	*						
14	5	2.3	-	*	*	*	*	*	*			
15	5	2.3	-	*	*	*	*	*	*			
16	5	2.3	-	*	*	*	*	*	*	*		
18	6	2.8	-	*	*	*	*	*	*	*		
19	6	2.8	-	*	*	*	*	*	*	*		
20	6	2.8	-	*	*	*	*	*	*	*		
22	6	2.8	-	*	*	*	*	*	*	*		
24	8	3.3	1.3	*	*	*	*	*	*	*		
25	8	3.3	1.3	*	*	*	*	*	*	*	*	
28	8	3.3	1.3		*	*	*	*	*	*	*	
30	8	3.3	-			*	*	*	*	*	*	
32	10	3.3	-			*	*	*	*	*	*	
35	10	3.3	-				*	*	*	*	*	*
38	10	3.3	-				*	*	*	*	*	*
40	12	3.3	-				*	*	*	*	*	*
42	12	3.3	2.2				*	*	*	*	*	*
45	14	3.8	-						*	*	*	*
48	14	3.8	-						*	*	*	*
50	14	3.8	-						*	*	*	*
55	16	4.3	-							*	*	*
60	18	4.4	-							*	*	*
65	18	4.4	-								*	*
70	20	4.9	-								*	*
75	20	4.9	-								*	*

METRIC BORES AND KEYWAYS

BORE DIA.	KEYWAY		SHALLOW KEYWAY DEPTH	TAPER BUSH PART NUMBER							
	WIDTH	DEPTH		3525	3535	4030	4040	4535	4545	5040	5050
35	10	3.3	-	*	*						
38	10	3.3	-	*	*						
40	12	3.3	-	*	*	*	*				
42	12	3.3	-	*	*	*	*				
45	14	3.8	-	*	*	*	*				
48	14	3.8	-	*	*	*	*				
50	14	3.8	-	*	*	*	*				
55	16	4.3	-	*	*	*	*	*	*		
60	18	4.4	-	*	*	*	*	*	*		
65	18	4.4	-	*	*	*	*	*	*		
70	20	4.9	-	*	*	*	*	*	*	*	*
75	20	4.9	-	*	*	*	*	*	*	*	*
80	22	5.4	-	*	*	*	*	*	*	*	*
85	22	5.4	-	*	*	*	*	*	*	*	*
90	25	5.4	-	*	*	*	*	*	*	*	*
95	25	5.4	-	*	*	*	*	*	*	*	*
100	28	6.4	4.4	*	*	*	*	*	*	*	*
105	28	6.4	-			*	*	*	*	*	*
110	28	6.4	-			*	*	*	*	*	*
115	32	7.4	5.4			*	*	*	*	*	*
120	32	7.4	-				*	*	*	*	*
125	32	7.4	-				*	*	*	*	*



INCH BORES AND KEYWAYS

BORE DIA.	KEYWAY		SHALLOW KEYWAY DEPTH	TAPER BUSH PART NUMBER								
	WIDTH	DEPTH		1008	1108	1210	1610	1615	2012	2517	3020	3030
0.375	0.125	0.06	-	*	*							
0.500	0.125	0.06	-	*	*		*	*				
0.625	0.187	0.09	-	*	*	*	*	*				
0.750	0.187	0.09	-	*	*	*	*	*	*	*		
0.875	0.250	0.12	-	*	*	*	*	*	*	*		
1.000	0.250	0.12	0.052	*	*	*	*	*	*	*		
1.125	0.312	0.11	0.064		*	*	*	*	*	*		
1.250	0.312	0.11	-			*	*	*	*	*	*	*
1.375	0.375	0.11	-				*	*	*	*	*	*
1.500	0.375	0.11	-				*	*	*	*	*	*
1.625	0.437	0.13	0.103				*	*	*	*	*	*
1.750	0.437	0.13	-						*	*	*	*
1.875	0.500	0.13	-						*	*	*	*
2.000	0.500	0.13	-						*	*	*	*
2.125	0.625	0.18	-							*	*	*
2.250	0.625	0.18	-							*	*	*
2.375	0.625	0.18	-							*	*	*
2.500	0.625	0.18	-							*	*	*
2.625	0.750	0.21	-								*	*
2.750	0.750	0.21	-								*	*
2.875	0.750	0.21	-								*	*
3.000	0.750	0.21	-								*	*

METRIC BORES AND KEYWAYS

BORE DIA.	KEYWAY		SHALLOW KEYWAY DEPTH	TAPER BUSH PART NUMBER								
	WIDTH	DEPTH		3525	3535	4030	4040	4535	4545	5040	5050	
1.500	0.375	0.11	-	*	*							
1.625	0.437	0.13	-	*	*							
1.750	0.437	0.13	-	*	*	*	*					
1.875	0.500	0.13	-	*	*	*	*					
2.000	0.500	0.13	-	*	*	*	*					
2.125	0.625	0.18	-	*	*	*	*					
2.250	0.625	0.18	-	*	*	*	*	*	*			
2.375	0.625	0.18	-	*	*	*	*	*	*			
2.500	0.750	0.18	-	*	*	*	*	*	*			
2.625	0.750	0.21	-	*	*	*	*	*	*			
2.750	0.750	0.21	-	*	*	*	*	*	*	*	*	*
2.875	0.750	0.21	-	*	*	*	*	*	*	*	*	*
3.000	0.875	0.21	-	*	*	*	*	*	*	*	*	*
3.125	0.875	0.26	-	*	*	*	*	*	*	*	*	*
3.250	0.875	0.26	-	*	*	*	*	*	*	*	*	*
3.375	0.875	0.26	-	*	*	*	*	*	*	*	*	*
3.500	1.000	0.26	-	*	*	*	*	*	*	*	*	*
3.750	1.000	0.32	0.245	*		*	*	*	*	*	*	*
4.000	1.250	0.32	0.155	*		*	*	*	*	*	*	*
4.250	1.250	0.37	-			*		*	*	*	*	*
4.500	1.250	0.37	0.255			*		*	*	*	*	*
4.750	1.250	0.37	-					*		*	*	*
5.000	1.250	0.37	0.258					*		*	*	*

TAPER BUSH LOCKING DEVICE



English



Español



Italiano



Deutsch



Français



Nederlands



Polskie

Cross Reference Table

229

Tabla de referencia de Cross • Tabella di riferimento trasversale
Kreuz Referenztafel • Table de référence croisée • Kruis referentietabel
Tabele kompatybilności

Engineering Data

230

Datos de ingeniería • Dati ingegneristici • Technische gegevens
Données d'ingénierie • Technische gegevens • Dane Inżynieria

Taper Bush Locking Devices

231

Dispositivos de cierre cónicos • Dispositivi di bloccaggio bussola conica
Kegel Busch Verriegelungen • Dispositifs de verrouillage conique bush
Taper bush vergrendeling apparaten • stożek krzak urządzenia blokujące

Interchange table

DUNLOP	FENNER DRIVES B-LOC	BONFIGLIOLI BONFIX	CHIARAVALLI	TRANSDEV DRIVELOCK	CHALLENGE EASTLOCK	FENNER/ERIKS FENLOCK	POGGI POGGILOCK	RINGFEDER	RINGSPAN	TOLLOK
DLK110	B-800	1000	RCK 80	80	02	FLK110	CAL-B	RFN 7110	RLK110	TLK110
DLK130	-	4000	RCK 70	70	04	FLK130	CAL-D	TI 9013.A	RLK130	TLK130
DLK131	B-103	4500	RCK 71	71	06	FLK131	CAL-E	TI 9013.B	RLK131	TLK131
DLK132	-	4100	RCK 13	13	05	FLK132	CAL-DS	RFN 7013.0	RLK132	TLK132
DLK133	B-106	4600	RCK 16	16	07	FLK106/133	CAL-ES	RFN 7013.1	RLK133	TLK106/133
DLK134	-	4900	RCK 15	15	15	FLK134	-	-	RLK134	TLK134
DLK200	B-400	2000	RCK 40	40	01	FLK200	CAL-A	RFN 7012	RLK200	TLK 200
DLK300	B-500	3000	RCK 50	50	03	FLK300	CAL-C	RFN 8006	RLK300	TLK300
DLK450	B-112	9500	RCK 11	11	19	FLK450	CAL-F	RFN 7015.0	RLK450	TLK450
DLK603	SD-10	8000	RCK 19	19	14	FLK603	CAL-SD	RFN 4071	RLK603	TLK603

TECHNICAL INFORMATION

The functioning principle of the articles presented is based on radial deformation of the items, made up of a truncated cone section: the tightening torque applied to the connecting screws causes an axial movement of the parts in contact with each other and in function of the inverse cone shape and the longitudinal cuts made on them provokes an increase in the diameter (of the external ring) and a reduction of the diameter (of the internal ring).

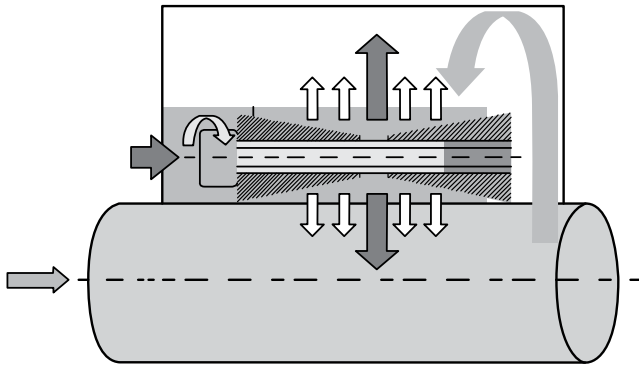
This changes allows (by virtue of the specific pressure between the bodies in contact) transmission of the torque between the shaft and the part connected to it (gear, timing belt pulley, V-Belt pulley or other specific parts).

- The advantages of the system block are as follows:
- Elimination of play between the shaft and the part driven.
- Uniform distribution of the load over the entire diameter
- Facility of synchronisation between the various possible parts connected as a set
- Reduction of the diameter (of project) of the drive shaft
- Increase of the resistant section of the drive shaft
- Reduction of the procurement times for machine assembly
- Maintenance facilitated with no need to stop the machine
- Availability of spare parts by main sub-suppliers of technical equipment

	DLK132	DLK133	DLK134	DLK110	DLK130	DLK131	DLK450	DLK200	DLK300	DLK603
SELF CENTERING	●	●	●	●	●	●	●			
NOT SELF CENTERING								●	●	●
MINIMUM RADIAL DIMENSIONS				●					●	
RAPID MAINTENANCE AND ASSEMBLY	●	●	●	●	●	●		●	●	●
MEDIUM TO LOW TORQUE									●	
MEDIUM TO HIGH TORQUE	●	●						●		●
HIGH TORQUE			●		●	●	●			
SELF LOCKING	●	●	●	●	●	●	●			
NON SELF LOCKING								●	●	●

Duty Factor (s)	LOAD TYPE		
	Constant	Intermittent	Alternating
Electric Motor	1 - 1.2	1.2 - 1.5	1.5 - 2
Combustion Engine	1.2 - 1.5	1.5 - 2	2 - 3

TECHNICAL SPECIFICATION



- Pm** Pressure of locking set on hub
- Pa** Pressure of locking set on shaft
- Ta** Axial force transmissible
- Tv** Screw tightening torque
- Tm** Axial force exerted
- Mt** Transmissible torque of locking set
- Pt** Radial force (pressure)

$$P_t \text{ hub} = \pi \cdot D \cdot H_2 \cdot P_m$$

$$P_t \text{ shaft} = \pi \cdot d \cdot H_2 \cdot P_a$$

$$P_t = P_t \cdot \mu \cdot d / 2$$

$$T_a = 2 \cdot M_t \cdot s$$

$$P_t \text{ shaft} = P_t \text{ hub}$$

μ = coefficient of friction (0.13) for lubricated locking set (dry 0.15)

s = Duty Factor

Screws UNI 5931 DIN 6912-7984	Pitch (mm)	Tightening torque Tv with class 12.9 screws NM (UNI 3740-9)
M6	1.00	17.5
M8	1.25	42.0
M10	1.50	85.0
M12	1.75	145.0
M14	2.00	235.0
M16	2.00	360.0
M18	2.50	485.0
M20	2.50	705.0
M22	2.50	960.0
M24	3.00	1220.0
M30	3.00	2400.0

Tolerance and degree of roughness of surfaces.

Shaft:
Tolerance h8
roughness Rz <= 16 μ m

Hub:
Tolerance H8
roughness Rz <= 16 μ m



TAPER BUSH LOCKING DEVICE

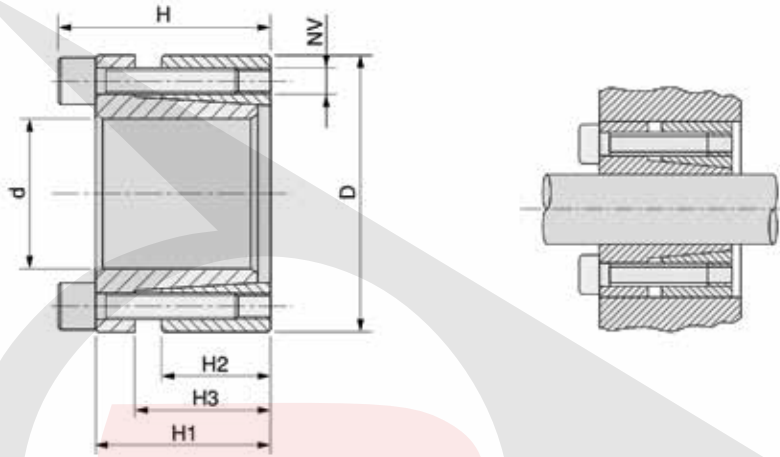


TAPER BUSH LOCKING DEVICE

Description

Taper Bush Locking devices are precision made to provide a wide, versatile range of key less shaft/hub fixing assemblies. Their design is such they can be fitted to any mating component that has a parallel bore.

They offer simple installation, resistance to alternating torques, increased shaft strength, zero backlash, actual and angular adjustment therefore creating high torque transmission capacity.

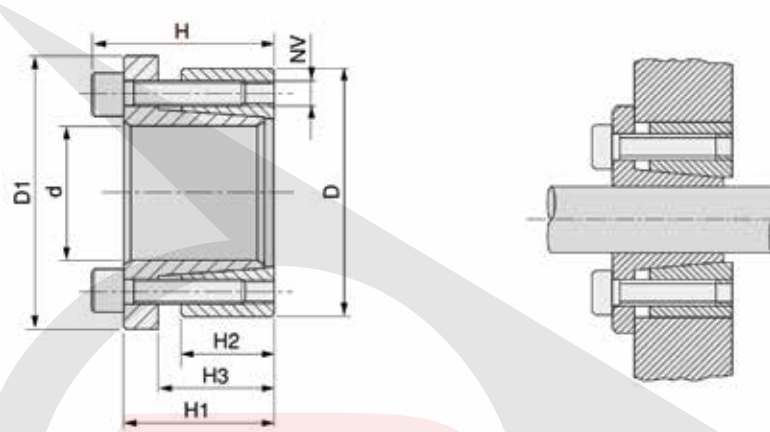


DLK132 SECTION

Part No.	Dimensions						Tightening			Loosening		Performances		Surface Pressure	
	d	D	H	H1	H2	H3	NV	Tv (Nm)	No. of screws	NV	No. of screws	Mt (mm)	Ta (KN)	Pa (N/mm ²)	Pm (N/mm ²)
DLK132-019	19	47	34	28	17	22	M6x20	13	5	M6x20	3	273	29	262	106
DLK132-020	20	47	34	28	17	22	M6x20	13	5	M6x20	3	287	29	249	106
DLK132-022	22	47	34	28	17	22	M6x20	13	5	M6x20	3	316	29	227	106
DLK132-024	24	50	34	28	17	22	M6x20	13	6	M6x20	3	413	34	249	120
DLK132-025	25	50	34	28	17	22	M6x20	13	6	M6x20	3	431	34	239	120
DLK132-028	28	55	34	28	17	22	M6x20	13	6	M6x20	3	482	34	213	109
DLK132-030	30	55	34	28	17	22	M6x20	13	6	M6x20	3	517	34	199	109
DLK132-032	32	60	34	28	17	22	M6x20	13	8	M6x20	4	734	46	249	133
DLK132-035	35	60	34	28	17	22	M6x20	13	8	M6x20	4	803	46	227	133
DLK132-038	38	65	34	28	17	22	M6x20	13	8	M6x20	4	872	46	210	122
DLK132-040	40	65	34	28	17	22	M6x20	13	8	M6x20	4	918	46	199	122
DLK132-045	45	75	41	33	20	25	M8x25	32	7	M8x25	3	1674	74	244	146
DLK132-050	50	80	41	33	20	25	M8x25	32	7	M8x25	3	1860	74	219	137
DLK132-055	55	85	41	33	20	25	M8x25	32	8	M8x25	4	2340	85	228	148
DLK132-060	60	90	41	33	20	25	M8x25	32	8	M8x25	4	2553	85	209	139
DLK132-065	65	95	41	33	20	25	M8x25	32	9	M8x25	3	3110	96	217	149
DLK132-070	70	110	50	40	24	30	M10x30	65	8	M10x30	4	4838	138	243	154
DLK132-075	75	115	50	40	24	30	M10x30	65	8	M10x30	4	5184	138	226	148
DLK132-080	80	120	50	40	24	30	M10x30	65	8	M10x30	4	5530	138	212	142
DLK132-085	85	125	50	40	24	30	M10x30	65	9	M10x30	3	6610	156	225	153
DLK132-090	90	130	50	40	24	30	M10x30	65	9	M10x30	3	6998	156	212	147
DLK132-095	95	135	50	40	24	30	M10x30	65	10	M10x30	4	8208	173	223	157

DLK132 SECTION continued

Part No.	Dimensions						Tightening			Loosening		Performances		Surface Pressure	
	d	D	H	H1	H2	H3	NV	Tv (Nm)	No. of screws	NV	No. of screws	Mt (mm)	Ta (KN)	Pa (N/mm ²)	Pm (N/mm ²)
DLK132X100	100	145	56	44	26	32	M12x35	110	8	M12x35	4	9742	195	221	152
DLK132X110	110	155	56	44	26	32	M12x35	110	8	M12x35	4	10716	195	201	143
DLK132X120	120	165	56	44	26	32	M12x35	110	9	M12x35	4	13154	219	207	151
DLK132X130	130	180	64	52	34	40	M12x35	110	12	M12x35	6	18996	292	195	141
DLK132X140	140	190	68	54	34	40	M14x40	170	9	M14x40	4	20336	291	180	133
DLK132X150	150	200	68	54	34	40	M14x40	170	10	M14x40	5	24211	323	187	140

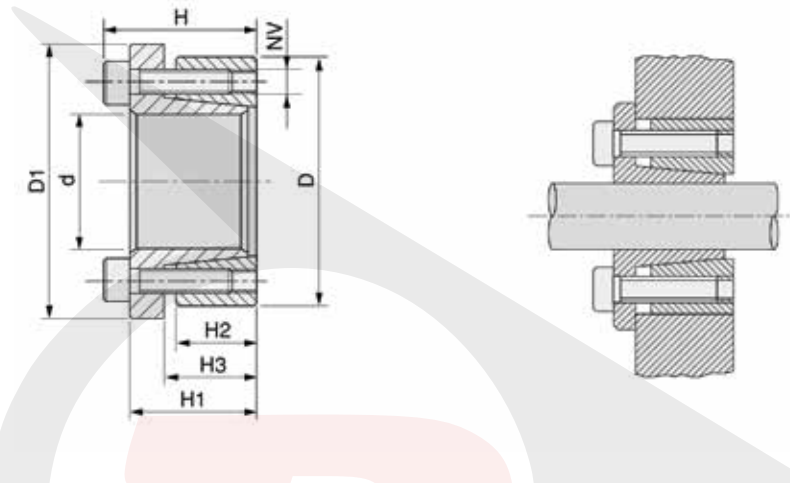


DLK133 SECTION

Part No.	Dimensions							Tightening			Loosening		Performances		Surface Pressure	
	d	D	D1	H	H1	H2	H3	NV	Tv (Nm)	No. of screws	NV	No. of screws	Mt (mm)	Ta (KN)	Pa (N/mm ²)	Pm (N/mm ²)
DLK133-019	19	47	56	34	28	17	22	M6x20	17	5	M6x20	3	243	26	234	94
DLK133-020	20	47	56	34	28	17	22	M6x20	17	5	M6x20	3	256	26	222	94
DLK133-022	22	47	56	34	28	17	22	M6x20	17	5	M6x20	3	282	26	202	94
DLK133-024	24	50	59	34	28	17	22	M6x20	17	6	M6x20	3	368	31	222	106
DLK133-025	25	50	59	34	28	17	22	M6x20	17	6	M6x20	3	383	31	213	106
DLK133-028	28	55	64	34	28	17	22	M6x20	17	6	M6x20	3	429	31	190	97
DLK133-030	30	55	64	34	28	17	22	M6x20	17	6	M6x20	3	460	31	177	97
DLK133-032	32	60	69	34	28	17	22	M6x20	17	8	M6x20	4	655	41	222	118
DLK133-035	35	60	69	34	28	17	22	M6x20	17	8	M6x20	4	716	41	203	118
DLK133-038	38	65	74	34	28	17	22	M6x20	17	8	M6x20	4	778	41	187	109
DLK133-040	40	65	74	34	28	17	22	M6x20	17	8	M6x20	4	819	41	178	109
DLK133-045	45	75	84	41	33	20	25	M8x25	41	7	M8x25	3	1458	65	212	127
DLK133-050	50	80	89	41	33	20	25	M8x25	41	7	M8x25	3	1620	65	191	119
DLK133-055	55	85	94	41	33	20	25	M8x25	41	8	M8x25	4	2037	74	199	129
DLK133-060	60	90	99	41	33	20	25	M8x25	41	8	M8x25	4	2223	74	182	121
DLK133-065	65	95	104	41	33	20	25	M8x25	41	9	M8x25	3	2710	83	189	129
DLK133-070	70	110	119	50	40	24	30	M10x30	83	8	M10x30	4	4203	120	211	134
DLK133-075	75	115	124	50	40	24	30	M10x30	83	8	M10x30	4	4754	120	197	128
DLK133-080	80	120	129	50	40	24	30	M10x30	83	8	M10x30	4	4804	120	184	123
DLK133-085	85	125	134	50	40	24	30	M10x30	83	9	M10x30	3	5742	135	195	133
DLK133-090	90	130	139	50	40	24	30	M10x30	83	9	M10x30	3	6080	135	184	128
DLK133-095	95	135	144	50	40	24	30	M10x30	83	10	M10x30	4	7131	150	194	137

DLK133 SECTION continued

Part No.	Dimensions							Tightening			Loosening		Performances		Surface Pressure	
	d	D	D1	H	H1	H2	H3	NV	Tv (Nm)	No. of screws	NV	No. of screws	Mt (mm)	Ta (KN)	Pa (N/mm ²)	Pm (N/mm ²)
DLK133X100	100	145	154	56	44	26	32	M12x35	145	8	M12x35	4	8732	175	198	137
DLK133X110	110	155	164	56	44	26	32	M12x35	145	8	M12x35	4	9605	175	180	128
DLK133X120	120	165	174	56	44	26	32	M12x35	145	9	M12x35	4	11787	196	186	135
DLK133X130	130	180	189	64	52	34	40	M12x35	145	12	M12x35	6	17024	262	175	126
DLK133X140	140	190	199	68	54	34	40	M14x40	230	9	M14x40	4	18703	267	166	122
DLK133X150	150	200	209	68	54	54	40	M14x40	230	10	M14x40	5	22259	297	172	129

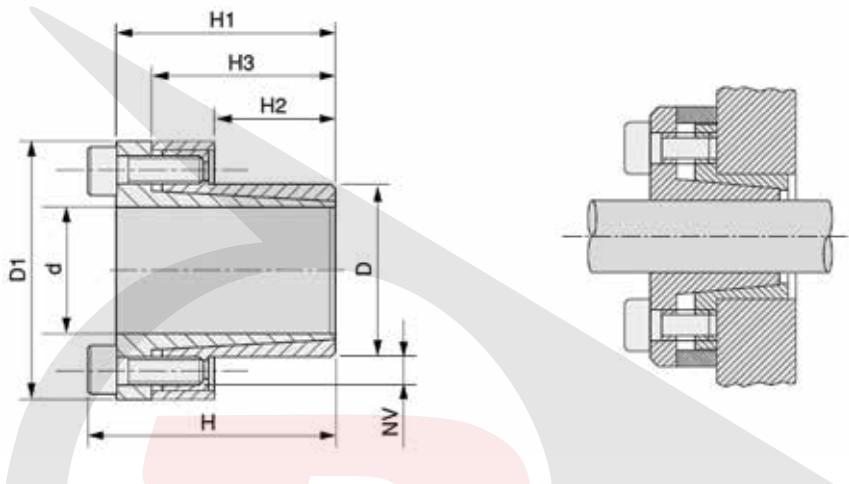


DLK134 SECTION

Part No.	Dimensions							Tightening			Loosening		Performances		Surface Pressure	
	d	D	D1	H	H1	H2	H3	NV	Tv (Nm)	No. of screws	NV	No. of screws	Mt (mm)	Ta (KN)	Pa (N/mm ²)	Pm (N/mm ²)
DLK134-114	14	55	62	39	31	17	22	M8x25	37	4	M8x25	2	234	33	415	106
DLK134-116	16	55	62	39	31	17	22	M8x25	37	4	M8x25	2	268	33	363	106
DLK134-118	18	55	62	39	31	17	22	M8x25	41	4	M8x25	2	333	37	357	117
DLK134-119	19	55	62	39	31	17	22	M8x25	41	4	M8x25	2	352	37	338	117
DLK134-120	20	55	62	39	31	17	22	M8x25	41	4	M8x25	2	370	37	321	117
DLK134-122	22	55	62	39	31	17	22	M8x25	41	4	M8x25	2	407	37	292	117
DLK134-124	24	55	62	39	31	17	22	M8x25	41	4	M8x25	2	445	37	268	117
DLK134-125	25	55	62	39	31	17	22	M8x25	41	4	M8x25	2	463	37	257	117
DLK134-128	28	55	62	39	31	17	22	M8x25	41	4	M8x25	2	519	37	229	117
DLK134-130	30	55	62	39	31	17	22	M8x25	41	4	M8x25	2	556	37	214	117
DLK134-124	24	65	72	39	31	17	22	M8x25	41	5	M8x25	3	556	46	335	124
DLK134-125	25	65	72	39	31	17	22	M8x25	41	5	M8x25	3	579	46	321	124
DLK134-128	28	65	72	39	31	17	22	M8x25	41	5	M8x25	3	649	46	287	124
DLK134-130	30	65	72	39	31	17	22	M8x25	41	5	M8x25	3	695	46	268	124
DLK134-132	32	65	72	39	31	17	22	M8x25	41	5	M8x25	3	741	46	251	124
DLK134-133	33	65	72	39	31	17	22	M8x25	41	5	M8x25	3	764	46	242	124
DLK134-135	35	65	72	39	31	17	22	M8x25	41	5	M8x25	3	811	46	230	124
DLK134-138	38	65	72	39	31	17	22	M8x25	41	5	M8x25	3	917	46	211	124
DLK134-140	40	65	72	39	31	17	22	M8x25	41	5	M8x25	3	966	46	201	124
DLK134-130	30	80	87	41	33	20	25	M8x25	41	7	M8x25	3	972	65	318	119
DLK134-132	32	80	87	41	33	20	25	M8x25	41	7	M8x25	3	1037	65	299	119
DLK134-133	33	80	87	41	33	20	25	M8x25	41	7	M8x25	3	1069	65	289	119
DLK134-135	35	80	87	41	33	20	25	M8x25	41	7	M8x25	3	1134	65	273	119

DLK134 SECTION continued

Part No.	Dimensions							Tightening			Loosening		Performances		Surface Pressure	
	d	D	D1	H	H1	H2	H3	NV	Tv (Nm)	No. of screws	NV	No. of screws	Mt (mm)	Ta (KN)	Pa (N/mm ²)	Pm (N/mm ²)
DLK134-138	38	80	87	41	33	20	25	M8X25	41	7	M8X25	3	1231	65	251	119
DLK134-140	40	80	87	41	33	20	25	M8X25	41	7	M8X25	3	1296	65	239	119
DLK134-142	42	80	87	41	33	20	25	M8X25	41	7	M8X25	3	1361	65	227	119
DLK134-145	45	80	87	41	33	20	25	M8X25	41	7	M8X25	3	1458	65	212	119
DLK134-148	48	80	87	41	33	20	25	M8X25	41	7	M8X25	3	1555	65	199	119
DLK134-150	50	80	87	41	33	20	25	M8X25	41	7	M8X25	3	1620	65	191	116

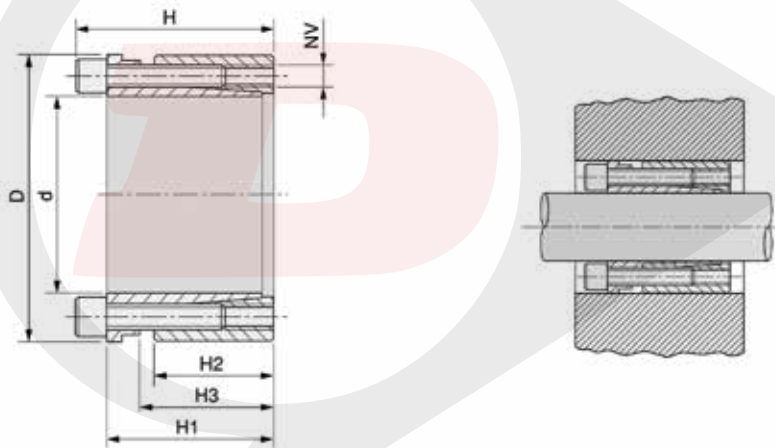


DLK110 SECTION

Part No.	Dimensions							Tightening			Loosening		Performances		Surface Pressure	
	d	D	D1	H	H1	H2	H3	NV	Tv (Nm)	No. of screws	NV	No. of screws	Mt (mm)	Ta (KN)	Pa (N/mm ²)	Pm (N/mm ²)
DLK110-008	8	15	28	28	24	12	21	M4X10	4.81	4	M4X10	3	39	10	299	159
DLK110-009	9	16	32	31	27	14	23	M4X12	5.2	4	M4X12	3	44	10	227	128
DLK110-010	10	16	32	31	27	14	23	M4X12	5.2	4	M4X12	3	49	10	205	128
DLK110-011	11	18	34	31	27	14	23	M4X12	5.2	4	M4X12	3	53	10	186	114
DLK110-012	12	18	34	31	27	14	23	M4X12	5.2	4	M4X12	3	58	10	171	114
DLK110-014	14	23	39	31	27	14	23	M4X12	5.2	4	M4X12	3	68	10	146	89
DLK110-015	15	24	45	42	36	16	29	M6X18	17	3	M6X18	2	120	16	196	123
DLK110-016	16	24	45	42	36	16	29	M6X18	17	3	M6X18	2	128	16	184	123
DLK110-018	18	26	47	44	38	18	31	M6X18	17	4	M6X18	3	191	21	194	134
DLK110-019	19	27	48	44	38	18	31	M6X18	17	4	M6X18	3	202	21	183	129
DLK110-020	20	28	49	44	38	18	31	M6X18	17	4	M6X18	3	213	21	174	124
DLK110-022	22	32	54	51	45	25	38	M6X18	17	4	M6X18	3	234	21	114	78
DLK110-024	24	34	56	51	45	25	38	M6X18	17	4	M6X18	3	255	21	105	74
DLK110-025	25	34	56	51	45	25	38	M6X18	17	4	M6X18	3	266	21	100	74
DLK110-028	28	39	61	51	45	25	38	M6X18	17	5	M6X18	3	373	27	112	81
DLK110-030	30	41	63	51	45	25	38	M6X18	17	6	M6X18	3	480	32	126	92
DLK110-032	32	43	65	56	50	30	43	M6X18	17	6	M6X18	3	511	32	98	73
DLK110-035	35	47	69	56	50	30	43	M6X18	17	8	M6X18	4	747	43	120	89
DLK110-038	38	50	72	56	50	30	43	M6X18	17	8	M6X18	4	811	43	110	84
DLK110-040	40	53	75	58	52	32	45	M6X18	17	9	M6X18	4	959	48	110	83
DLK110-042	42	55	77	58	52	32	45	M6X18	17	9	M6X18	4	1007	48	105	80
DLK110-045	45	59	85	72	64	40	56	M6X22	42	8	M6X22	4	1781	79	130	99
DLK110-048	48	62	88	72	64	40	56	M8X22	42	8	M8X22	4	1900	79	122	94

DLK110 SECTION continued

Part No.	Dimensions							Tightening			Loosening		Performances		Surface Pressure	
	d	D	D1	H	H1	H2	H3	NV	Tv (Nm)	No. of screws	NV	No. of screws	Mt (mm)	Ta (KN)	Pa (N/mm ²)	Pm (N/mm ²)
DLK110-050	50	65	92	82	74	50	66	M8X22	42	10	M8X22	5	2473	99	117	90
DLK110-055	55	71	98	82	74	50	66	M8X22	42	10	M8X22	5	2721	99	106	82
DLK110-060	60	77	104	82	74	50	66	M8X22	42	10	M8X22	5	2968	99	97	76
DLK110-065	65	84	111	82	74	50	66	M8X22	42	10	M8X22	5	3215	99	90	69
DLK110-070	70	90	122	101	91	60	80	M10X25	84	8	M10X25	4	4430	127	89	69
DLK110-075	75	95	126	101	91	60	80	M10X25	84	9	M10X25	4	5338	142	93	74
DLK110-080	80	100	131	106	96	65	85	M10X25	84	12	M10X25	5	7595	190	108	86
DLK110-085	85	106	137	106	96	65	85	M10X25	84	12	M10X25	5	8069	190	101	81
DLK110-090	90	112	143	106	96	65	85	M10X25	84	14	M10X25	6	9968	222	112	90
DLK110-095	95	120	153	106	96	65	85	M10X25	84	14	M10X25	6	10522	222	106	84
DLK110-100	100	125	162	114	102	65	89	M12X30	145	12	M12X30	5	13651	273	124	99
DLK110-110	110	140	177	119	107	70	94	M12X30	145	12	M12X30	5	15016	273	105	82
DLK110-120	120	155	195	139	127	90	114	M12X30	145	16	M12X30	7	21844	364	99	77
DLK110-130	130	165	205	139	127	90	114	M12X30	145	16	M12X30	7	23664	364	92	72
DLK110-140	140	175	215	139	127	90	114	M12X30	145	16	M12X30	7	25485	364	85	68
DLK110-150	150	185	225	139	127	90	114	M12X30	145	16	M12X30	7	27305	364	80	64

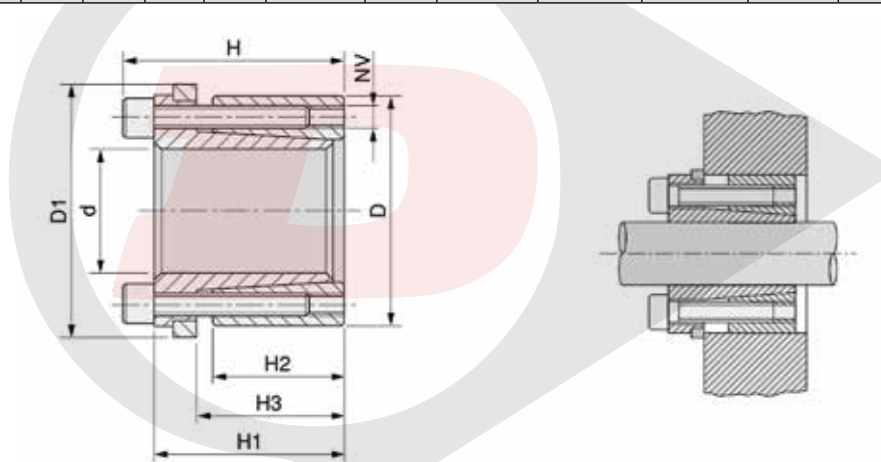


DLK130 SECTION

Part No.	Dimensions						Tightening			Loosening		Performances		Surface Pressure	
	d	D	H	H1	H2	H3	NV	Tv (Nm)	No. of screws	NV	No. of screws	Mt (mm)	Ta (KN)	Pa (N/mm ²)	Pm (N/mm ²)
DLK130-019	19	47	45	39	26	31	M6X25	17	4	M6X25	2	307	32	193	78
DLK130-020	20	47	45	39	26	31	M6X25	17	4	M6X25	2	323	32	183	78
DLK130-022	22	47	45	39	26	31	M6X25	17	4	M6X25	2	355	32	166	78
DLK130-024	24	50	45	39	26	31	M6X25	17	6	M6X25	3	382	48	229	110
DLK130-025	25	50	45	39	26	31	M6X25	17	6	M6X25	3	606	48	220	110
DLK130-028	28	55	45	39	26	31	M6X25	17	6	M6X25	3	679	48	196	100
DLK130-030	30	55	45	39	26	31	M6X25	17	6	M6X25	3	727	48	183	100
DLK130-032	32	60	45	39	26	31	M6X25	17	8	M6X25	4	1033	65	229	122
DLK130-035	35	60	45	39	26	31	M6X25	17	8	M6X25	4	1130	65	209	122
DLK130-038	38	65	45	39	26	31	M6X25	17	8	M6X25	4	1227	65	193	113
DLK130-040	40	65	45	39	26	31	M6X25	17	8	M6X25	4	1292	65	183	113
DLK130-042	42	75	55	47	30	36	M8X30	41	6	M8X30	3	1835	87	204	115
DLK130-045	45	75	55	47	30	36	M8X30	41	6	M8X30	3	1966	87	191	115

DLK130 SECTION continued

Part No.	Dimensions						Tightening			Loosening		Performances		Surface Pressure	
	d	D	H	H1	H2	H3	NV	Tv (Nm)	No. of screws	NV	No. of screws	Mt (mm)	Ta (KN)	Pa (N/mm ²)	Pm (N/mm ²)
DLK130-048	48	80	55	47	30	36	M8X30	41	6	M8X30	3	2097	87	179	107
DLK130-050	50	80	55	47	30	36	M8X30	41	6	M8X30	3	2184	87	172	107
DLK130-055	55	85	55	47	30	36	M8X30	41	8	M8X30	4	3202	116	208	135
DLK130-060	60	90	55	47	30	36	M8X30	41	8	M8X30	4	3493	116	191	127
DLK130-065	65	95	55	47	30	36	M8X30	41	8	M8X30	4	3784	116	176	120
DLK130-070	70	110	67	57	40	46	M10X35	83	8	M10X35	4	6607	189	199	127
DLK130-075	75	115	72	62	40	46	M10X35	83	8	M10X35	4	7079	189	186	121
DLK130-080	80	120	72	62	40	46	M10X35	83	8	M10X35	4	7551	189	174	116
DLK130-085	85	125	72	62	40	46	M10X35	83	10	M10X35	4	10029	236	205	139
DLK130-090	90	130	72	62	40	46	M10X35	83	10	M10X35	4	10619	236	193	134
DLK130-095	95	135	72	62	40	46	M10X35	83	10	M10X35	4	11209	236	183	129
DLK130-100	100	145	89	77	46	52	M12X45	145	8	M12X45	4	13738	275	176	121
DLK130-110	110	155	89	77	46	52	M12X45	145	8	M12X45	4	15111	278	160	114
DLK130-120	120	165	89	77	46	52	M12X45	145	10	M12X45	4	20606	343	183	133
DLK130-130	130	180	89	77	46	52	M12X45	145	12	M12X45	4	26788	412	203	147
DLK130-140	140	190	98	84	51	59	M12X45	230	8	M12X45	4	26142	373	154	114
DLK130-150	150	200	98	84	51	59	M12X45	230	10	M12X45	5	35016	467	180	135

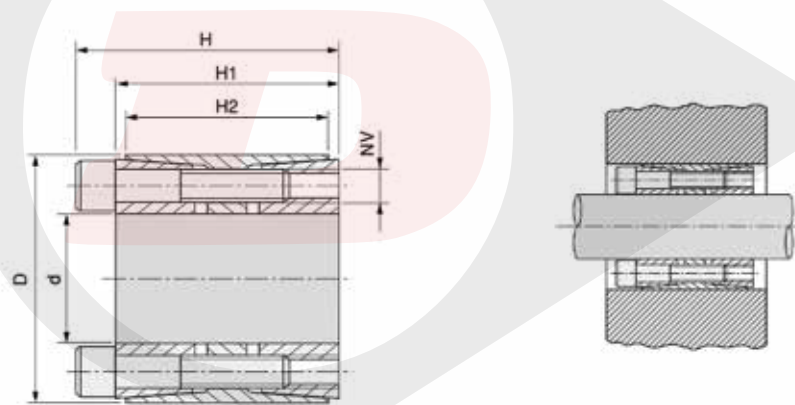


DLK131 SECTION

Part No.	Dimensions							Tightening			Loosening		Performances		Surface Pressure	
	d	D	D1	H	H1	H2	H3	NV	Tv (Nm)	No. of screws	NV	No. of screws	Mt (mm)	Ta (KN)	Pa (N/mm ²)	Pm (N/mm ²)
DLK131-019	19	47	53	45	39	26	31	M6X20	17	4	M6X20	2	202	21	127	51
DLK131-020	20	47	53	45	39	26	31	M6X20	17	4	M6X20	2	213	21	121	51
DLK131-022	22	47	53	45	39	26	31	M6X20	17	4	M6X20	2	234	21	110	51
DLK131-024	24	50	56	45	39	26	31	M6X20	17	6	M6X20	3	384	32	151	73
DLK131-025	25	50	56	45	39	26	31	M6X20	17	6	M6X20	3	400	32	145	73
DLK131-028	28	55	61	45	39	26	31	M6X20	17	6	M6X20	3	448	32	129	66
DLK131-030	30	55	61	45	39	26	31	M6X20	17	6	M6X20	3	480	32	121	66
DLK131-032	32	60	66	45	39	26	31	M6X20	17	8	M6X20	4	683	43	151	81
DLK131-035	35	60	66	45	39	26	31	M6X20	17	8	M6X20	4	747	43	138	81
DLK131-038	38	65	71	45	39	26	31	M6X20	17	8	M6X20	4	811	43	127	74
DLK131-040	40	65	71	45	39	26	31	M6X20	17	8	M6X20	4	853	43	121	74
DLK131-042	42	75	81	55	47	30	36	M8X30	41	6	M8X30	3	1216	58	135	76
DLK131-045	45	75	81	55	47	30	36	M8X30	41	6	M8X30	3	1302	58	126	76

DLK131 SECTION continued

Part No.	Dimensions							Tightening			Loosening		Performances		Surface Pressure	
	d	D	D1	H	H1	H2	H3	NV	Tv (Nm)	No. of screws	NV	No. of screws	Mt (mm)	Ta (KN)	Pa (N/mm ²)	Pm (N/mm ²)
DLK131-048	48	80	86	55	47	30	36	M8X30	41	6	M8X30	3	1389	58	119	71
DLK131-050	50	80	86	55	47	30	36	M8X30	41	6	M8X30	3	1447	58	114	71
DLK131-055	55	85	91	55	47	30	36	M8X30	41	8	M8X30	4	2124	77	138	89
DLK131-060	60	90	96	55	47	30	36	M8X30	41	8	M8X30	4	2317	77	127	84
DLK131-065	65	95	101	55	47	30	36	M8X30	41	8	M8X30	4	2510	77	117	80
DLK131-070	70	110	116	67	57	40	46	M10X35	83	8	M10X35	4	4381	125	132	84
DLK131-075	75	115	121	72	62	40	46	M10X35	83	8	M10X35	4	4694	125	123	80
DLK131-080	80	120	126	72	62	40	46	M10X35	83	8	M10X35	4	5007	125	115	77
DLK131-085	85	125	131	72	62	40	46	M10X35	83	10	M10X35	4	6651	156	136	92
DLK131-090	90	130	136	72	62	40	46	M10X35	83	10	M10X35	4	7042	156	128	89
DLK131-095	95	135	141	72	62	40	46	M10X35	83	10	M10X35	4	7433	156	121	85
DLK131-100	100	145	151	89	77	46	52	M12X45	145	8	M12X45	4	9104	182	117	81
DLK131-110	110	155	161	89	77	46	52	M12X45	145	8	M12X45	4	10015	182	106	75
DLK131-120	120	165	171	89	77	46	52	M12X45	145	10	M12X45	4	13653	228	122	88
DLK131-130	130	180	186	89	77	46	52	M12X45	145	12	M12X45	4	17757	273	135	97
DLK131-140	140	190	196	98	84	51	59	M14X45	230	8	M14X45	4	17328	248	102	75
DLK131-150	150	200	206	98	84	51	59	M14X45	230	10	M14X45	5	23207	309	119	89

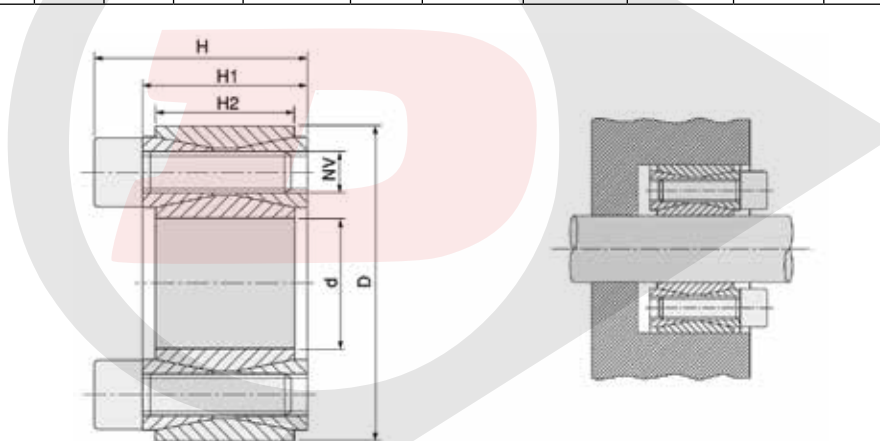


DLK450 SECTION

Part No.	Dimensions					Tightening			Loosening		Performances		Surface Pressure	
	d	D	H	H1	H2	NV	Tv (Nm)	No. of screws	NV	No. of screws	Mt (mm)	Ta (KN)	Pa (N/mm ²)	Pm (N/mm ²)
DLK450-025	25	55	46	40	32	M6X35	17	6	M6X35	3	799	64	314	107
DLK450-028	28	55	46	40	32	M6X35	17	6	M6X35	3	895	64	281	107
DLK450-030	30	55	46	40	32	M6X35	17	6	M6X35	3	959	64	262	107
DLK450-035	35	60	60	54	44	M6X45	17	7	M6X45	3	1306	75	185	83
DLK450-038	38	75	62	54	44	M8X50	41	7	M8X50	3	2567	135	308	121
DLK450-040	40	75	62	54	44	M8X50	41	7	M8X50	3	2702	135	293	121
DLK450-042	42	75	62	54	44	M8X50	41	7	M8X50	3	2837	135	279	121
DLK450-045	45	75	62	54	44	M8X50	41	7	M8X50	3	3040	135	260	121
DLK450-048	48	80	72	64	56	M8X55	41	8	M8X55	4	3707	154	216	102
DLK450-050	50	80	72	64	56	M8X55	41	8	M8X55	4	3861	154	207	102
DLK450-055	55	85	72	64	56	M8X55	41	9	M8X55	4	4779	174	212	108
DLK450-060	60	90	72	64	56	M8X55	41	10	M8X55	4	5793	193	216	113
DLK450-065	65	95	72	64	56	M8X55	41	10	M8X55	4	6276	193	199	107

DLK450 SECTION continued

Part No.	Dimensions					Tightening			Loosening		Performances		Surface Pressure	
	d	D	H	H1	H2	NV	Tv (Nm)	No. of screws	NV	No. of screws	Mt (mm)	Ta (KN)	Pa (N/mm ²)	Pm (N/mm ²)
DLK450-070	70	110	88	78	70	M10X60	83	10	M10X60	4	10951	313	235	120
DLK450-075	75	115	88	78	70	M10X60	83	10	M10X60	4	11733	313	220	115
DLK450-080	80	120	88	78	70	M10X60	83	11	M10X60	4	13768	344	227	121
DLK450-085	85	125	88	78	70	M10X60	83	12	M10X60	5	15959	376	233	127
DLK450-090	90	130	88	78	70	M10X60	83	12	M10X60	5	16898	376	220	122
DLK450-095	95	135	88	78	70	M10X60	83	12	M10X60	5	17837	376	208	117
DLK450-100	100	145	112	100	90	M12X80	145	11	M12X80	4	25029	501	211	113
DLK450-110	110	155	112	100	90	M12X80	145	12	M12X80	5	30039	546	209	115
DLK450-120	120	165	112	100	90	M12X80	145	14	M12X80	6	38226	637	224	127
DLK450-130	130	180	130	116	104	M14X90	230	12	M14X90	5	48270	743	201	117
DLK450-140	140	190	130	116	104	M14X90	230	14	M14X90	7	60654	866	217	129
DLK450-150	150	200	130	116	104	M14X90	230	15	M14X90	7	69628	928	217	132
DLK450-160	160	210	130	116	104	M14X90	230	16	M14X90	7	79220	990	217	134
DLK450-170	170	225	164	148	134	M16X120	360	14	M16X120	7	100851	1186	206	116
DLK450-180	180	235	164	148	134	M16X120	360	15	M16X120	7	114414	1271	208	119
DLK450-190	190	250	164	148	134	M16X120	360	16	M16X120	7	128814	1356	210	119
DLK450-200	200	260	164	148	134	M16X120	360	16	M16X120	7	135594	1356	200	115
DLK450-220	220	285	164	148	134	M16X120	360	18	M16X120	8	167805	1526	204	118

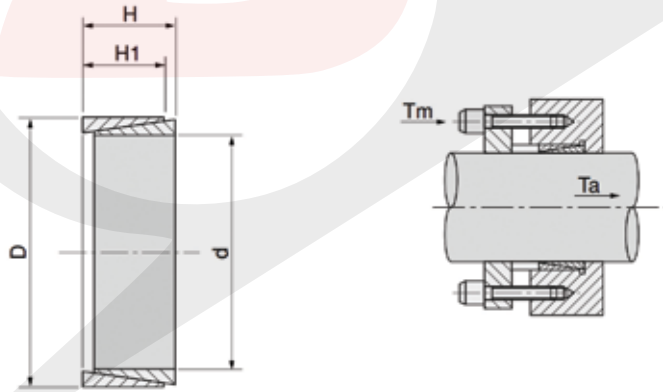


DLK200 SECTION

Part No.	Dimensions					Tightening			Loosening		Performances		Surface Pressure	
	d	D	H	H1	H2	NV	Tv (Nm)	No. of screws	NV	No. of screws	Mt (mm)	Ta (KN)	Pa (N/mm ²)	Pm (N/mm ²)
DLK200-019	19	47	26	20	17	M6X18	14.9	8	M8	2	298	31	286	116
DLK200-020	20	47	26	20	17	M6X18	14.9	8	M8	2	313	31	272	116
DLK200-022	22	47	26	20	17	M6X18	14.9	8	M8	2	345	31	247	116
DLK200-024	24	50	26	20	17	M6X18	14.9	9	M8	3	424	35	255	123
DLK200-025	25	50	26	20	17	M6X18	14.9	9	M8	3	441	35	245	123
DLK200-028	28	55	26	20	17	M6X18	14.9	10	M8	3	549	39	243	124
DLK200-030	30	55	26	20	17	M6X18	14.9	10	M8	3	588	39	227	124
DLK200-032	32	60	26	20	17	M6X18	14.9	12	M8	4	758	47	255	136
DLK200-035	35	60	26	20	17	M6X18	14.9	12	M8	4	822	47	233	136
DLK200-038	38	65	26	20	17	M6X18	14.9	14	M8	4	1042	55	250	146
DLK200-040	40	65	26	20	17	M6X18	14.9	14	M8	4	1097	55	238	146
DLK200-042	42	75	32	24	20	M8X22	35.0	12	M10	4	1740	83	291	163
DLK200-045	45	75	32	24	20	M8X22	35.0	12	M10	4	1864	83	271	163

DLK200 SECTION continued

Part No.	Dimensions					Tightening			Loosening		Performances		Surface Pressure	
	d	D	H	H1	H2	NV	Tv (Nm)	No. of screws	NV	No. of screws	Mt (mm)	Ta (KN)	Pa (N/mm ²)	Pm (N/mm ²)
DLK200-048	48	80	32	24	20	M8X22	35.0	12	M10	4	1988	83	254	153
DLK200-050	50	80	32	24	20	M8X22	35.0	12	M10	4	2071	83	244	153
DLK200-055	55	85	32	24	20	M8X22	35.0	14	M10	4	2658	97	259	168
DLK200-060	60	90	32	24	20	M8X22	35.0	14	M10	4	2900	64	238	158
DLK200-065	65	95	32	24	20	M8X22	35.0	16	M10	4	3587	110	250	171
DLK200-070	70	110	38	28	24	M10X25	69.0	14	M12	4	5345	153	268	171
DLK200-075	75	115	38	28	24	M10X25	69.0	14	M12	4	5727	153	250	163
DLK200-080	80	120	38	28	24	M10X25	69.0	14	M12	4	6108	153	235	156
DLK200-085	85	125	38	28	24	M10X25	69.0	16	M12	4	7417	175	252	172
DLK200-090	90	130	38	28	24	M10X25	69.0	16	M12	4	7854	175	238	165
DLK200-095	95	135	38	28	24	M10X25	69.0	18	M12	4	9326	196	254	179
DLK200-100	100	145	45	33	26	M12X30	123.3	14	M14	4	11362	227	258	178
DLK200-110	110	155	45	33	26	M12X30	123.3	14	M14	4	12498	227	234	166
DLK200-120	120	165	45	33	26	M12X30	123.3	16	M14	4	15578	260	245	178
DLK200-130	130	180	50	38	34	M12X35	123.3	20	M14	4	21095	325	217	156
DLK200-140	140	190	50	38	34	M12X35	123.3	22	M14	4	24993	357	221	163
DLK200-150	150	200	50	38	34	M12X35	123.3	24	M14	4	29217	390	225	169
DLK200-160	160	210	50	38	34	M12X35	123.3	26	M14	4	33756	422	229	174
DLK200-170	170	225	58	44	38	M14X40	187.0	22	M16	4	39483	465	212	160
DLK200-180	180	235	58	44	38	M14X40	187.0	24	M16	4	45606	507	218	167
DLK200-190	190	250	66	52	46	M14X45	187.0	28	M16	4	56163	591	199	152
DLK200-200	200	260	66	52	46	M14X45	187.0	30	M16	4	63342	633	203	156

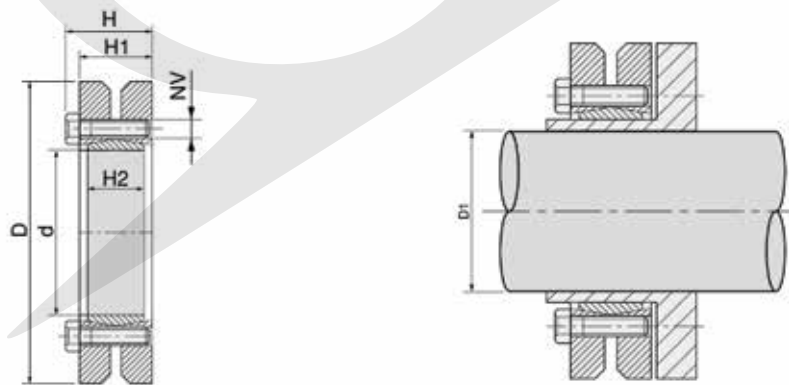


DLK300 SECTION

Part No.	Dimensions				Performances			Surface Pressure	
	d	D	H	H1	Mt (mm)	Ta (KN)	Tm (KN)	Pa (N/mm ²)	Pm (N/mm ²)
DLK300-008	8	11	4.5	3.7	4.2	1.06	5.0	100	70
DLK300-009	9	12	4.5	3.7	5.8	1.29	13.3	100	79
DLK300-010	10	13	4.5	3.7	7.6	1.53	14.4	100	86
DLK300-012	12	15	4.5	3.7	9.9	1.65	14.5	100	80
DLK300-014	14	18	6.3	5.3	18.9	2.70	23.8	100	77
DLK300-015	15	19	6.3	5.3	22.1	2.94	24.3	100	79
DLK300-016	16	20	6.3	5.3	25.4	3.18	24.5	100	81
DLK300-018	18	22	6.3	5.3	31.8	3.53	25.3	100	82
DLK300-019	19	24	6.3	5.3	35.8	3.76	29.7	100	80
DLK300-020	20	25	6.3	5.3	38.8	3.88	30.1	100	79

DLK300 SECTION continued

Part No.	Dimensions				Performances			Surface Pressure	
	d	D	H	H1	Mt (mm)	Ta (KN)	Tm (KN)	Pa (N/mm ²)	Pm (N/mm ²)
DLK300-022	22	26	6.3	5.3	47.9	4.35	28.9	100	86
DLK300-024	24	28	6.3	5.3	56.4	4.70	30.0	100	86
DLK300-025	25	30	6.3	5.3	61.7	4.94	32.4	100	84
DLK300-028	28	32	6.3	5.3	77.4	5.53	32.6	100	88
DLK300-030	30	35	6.3	5.3	88.2	5.88	35.5	100	86
DLK300-032	32	36	6.3	5.3	100.0	6.23	36.7	100	88
DLK300-035	35	40	7.0	6.0	136.0	7.76	45.7	100	88
DLK300-038	38	44	7.0	6.0	161.0	8.47	49.7	100	87
DLK300-040	40	45	8.0	6.6	195.0	9.80	58.8	100	89
DLK300-042	42	48	8.0	6.6	215.0	10.20	62.6	100	87
DLK300-045	45	52	10.0	8.6	323.0	14.30	92.2	100	87
DLK300-048	48	55	10.0	8.6	367.0	15.30	94.6	100	88
DLK300-050	50	57	10.0	8.6	397.0	15.90	96.5	100	88
DLK300-055	55	62	10.0	8.6	479.0	17.40	101.8	100	88
DLK300-060	60	68	12.0	10.4	691.0	23.00	133.4	100	88
DLK300-065	65	73	12.0	10.4	814.0	25.00	140.4	100	89
DLK300-070	70	79	14.0	12.2	1107.0	31.60	176.0	100	89
DLK300-075	75	84	14.0	12.2	1266.0	33.80	189.6	100	89
DLK300-080	80	91	17.0	15.0	1769.0	44.20	251.0	100	89
DLK300-090	90	101	17.0	15.0	2244.0	49.90	272.4	100	89
DLK300-100	100	114	21.0	18.7	3452.0	69.00	377.7	100	89
DLK300-110	110	124	21.0	18.7	4178.0	76.00	415.0	100	89
DLK300-120	120	134	21.0	18.7	4967.0	82.80	440.2	100	89
DLK300-130	130	148	28.0	25.3	7896.0	121.00	654.2	100	89
DLK300-140	140	158	28.0	25.3	9146.0	131.00	689.0	100	89
DLK300-150	150	168	28.0	25.3	10505.0	140.00	727.5	100	89



DLK603 SECTION

Part No.	Dimensions						Tightening			Performances		Surface Pressure
	d	D	D1	H	H1	H2	NV	Tv (Nm)	No. of screwa	Mt (Nm)	Ta (Kn)	Pa (N/mm ²)
DLK603-024	24	50	19	23.0	19.5	14	M5X18	4	6	216	23.0	272
			20							265	27.0	
			21							314	30.0	
DLK603-030	30	60	24	25.0	21.5	16	M5X18	4	7	372	31.0	221
			25							421	34.0	
			26							461	36.0	

DLK603 SECTION

Part No.	Dimensions						Tightening			Performances		Surface Pressure
	d	D	D1	H	H1	H2	NV	Tv (Nm)	No. of screws	Mt (Nm)	Ta (Kn)	Pa (N/mm ²)
DLK603-036	36	72	26	27.5	23.5	18	M6X20	12	5	471	36.3	292
			28							550	39.3	
			30							713	47.5	
DLK603-044	44	80	32	29.5	25.5	20	M6X20	12	7	925	57.8	301
			35							1175	67.1	
			36							1275	70.8	
DLK603-050	50	90	38	31.5	27.5	22	M6X25	12	8	1313	69.1	275
			40							1638	81.9	
			42							1925	91.7	
DLK603-055	55	100	42	34.5	30.5	23	M6X25	12	8	1450	69.0	239
			45							1900	84.4	
			48							2350	97.9	
DLK603-062	62	110	48	34.5	30.5	23	M6X25	12	10	2775	116.0	265
			50							3275	131.0	
			52							3613	139.0	
DLK603-068	68	115	50	34.5	30.5	23	M6X25	12	10	2500	100.0	242
			55							3125	114.0	
			60							3938	131.0	
DLK603-075	75	138	55	37.8	32.5	25	M8X30	30	7	3125	114.0	259
			60							4000	133.0	
			65							4938	152.0	
DLK603X80	80	145	60	37.8	32.5	25	M8X30	30	7	4000	133.0	243
			65							4875	150.0	
			70							5750	164.0	
DLK603-090	90	155	65	44.3	39.0	30	M8X35	30	10	5938	183.0	257
			70							7500	214.0	
			75							9063	242.0	
DLK603-100	100	170	70	49.3	44.0	34	M8X35	30	12	8625	246.0	245
			75							9375	250.0	
			80							11250	281.0	
DLK603-110	110	185	75	56.4	50.0	39	M10X40	59	9	9000	240.0	232
			80							11250	281.0	
			85							13500	318.0	
DLK603-125	125	215	85	60.4	54.0	42	M10X40	59	12	13750	324.0	253
			90							16250	361.0	
			95							18750	395.0	
DLK603-140	140	230	95	68.0	60.5	46	M12X45	100	10	18875	397.0	251
			100							22000	440.0	
			105							25125	479.0	
DLK603-155	155	265	105	72.0	64.5	50	M12X50	100	12	27500	524.0	250
			110							31250	568.0	
			115							35000	609.0	
DLK603-165	165	290	115	81.0	71.0	56	M16X55	250	8	38750	674.0	263
			120							43750	729.0	
			125							48750	780.0	



English



Español



Italiano



Deutsch



Français



Nederlands



Polskie

Engineering Data

243

Datos de ingeniería • Dati ingegneristici • Technische gegevens

Données d'ingénierie • Technische gegevens • Dane Inżynieria

Tensioner Arms

247

Brazos de tensor • Braccia di tenditore • Spanner-Arme

Bras tendeur • Spanner wapens • ramiona napinaczy

Idler Sprocket Sets

248

Sistemas de rueda dentada intermedia • Pacchi pignoni folli

Spannrolle Ritzelpakete • Ensembles de pignon pignon fou

Idler tandwiel sets • zestawy łańcuchowe napinające

Idler Roller Pulley Sets

249

Sistemas de polea rodillo rodillos • Idler rulli puleggia

Spannrolle Riemenscheibe Rollensätze • Ensembles de poulie tendeurs rouleau

Idler roller katrol sets • Zestawy rolką pośredniczącą

Motor Bases

250

Bases del motor • Slitte • Motorbasen • Bases de moteur

motor bases • Bazy silnikowe

Shaft Collar Metric and Imperial

251

Collar del eje métrico e imperial • Con collare metrico e imperiale

Wellen-Kragen metrisch und kaiserlich • Collier d'arbre métrique et impérial

Shaft Collar Metric en Imperial • Wał Collar Metric i Imperial



TENSIONING TECHNOLOGY

Chain & V-Belt Tensioning

Roller chains are power transmission components with positive transmission which, by virtue of their design are subject, depending on quality, to elongation as a result of wear of 1 to 3% of their total length. In spite of this elongation, due to aging, a roller chain transmits the occurring torques effectively providing it is periodically re-tensioned. Without tension adjustment, the slack side of the chain becomes steadily longer, oscillates and reduces the force transmitting wrap angle of the chain on the sprockets.

The chain no longer runs smoothly off the teeth of the sprockets, producing uneven running of the entire drive and supporting wear. The service life of the chain drive can be extended considerably by the use of an automatic chain tension adjuster. The tensioning element prevents the slack side of the chain from 'sagging' or 'slapping' by its automatic operation and very wide tensioning range for compensating this given elongation.

The DUNLOP tensioning element is based on the rubber spring principle. According to application it is supplemented with the appropriate idler sprocket for chain drives or with a belt roller pulley in belt tensioner applications.

Pre-tensioning

With the tensioning element the necessary travel and simultaneously the corresponding initial tension force can be accurately adjusted by a torsion angle scale and indicating arrow. Excessive initial pre-tensioning of the chain should be avoided in order to reduce the tensile force and surface pressure on the links.

Vibration Damping

The DUNLOP tensioning element, based on a system of rubber springs, absorbs considerably the chain vibration due to internal molecular friction in the rubber inserts. The rubber spring effectively absorbs the vibrations, resulting from the polygon effect, which also positively influences the noise level of the complete chain drive.

INSTALLATION

The idler sprocket is installed in arm position 'normal' or 'hard' in the required position and secured with the supplied nuts.

The laterally adjustable bearing on the thread permits simple and rapid adjustment of the idler sprocket to the chain track. The central fixing of the tensioning element with a single screw saves a great deal of time in installation. In addition, only one fixing hole is required on the 'machine side'.

On smooth, clean and torsionally rigid surfaces the resistance of the frictional contact between the tensioner housing and the machine element is a multiple of the maximum initial tensioning torque at 30°.

TENSIONER TYPE SE

The tensioning element with the specification SE (SE 11 to SE 45) is the mostly used standard unit for tensioning all kinds of chain and belt drives. This unit is designed for applications in temperature range from -40°C to $+80^{\circ}\text{C}$.

Dunlop Idler Sprocket Set Type N

The DUNLOP idler sprocket set completes the tensioning element for applications in chain drives. The idler sprocket runs on a self-lubricating ball bearing Type 2 Z.

Dunlop Idler Roller Pulley Set Type R

The DUNLOP idler roller pulley set installed on the relevant SE unit is an ideal belt tensioner. The roller is made of high quality industrial plastic material with two self lubricating ball bearings Type 2 Z.

GENERAL INFORMATION

DUNLOP tensioners should be installed on a stiff, even and clean machine part means of the central bolt. The frictional connection on flange is usually fully sufficient for final positioning. The positioning notch on flange can be used to assure the tensioner additionally on uneven and dirty surfaces by setting a roller pin.

Tensioning Force F

The tensioning force can be continuously adjusted. The max. pre tensioning angle is $+30^{\circ}$ out of neutral position. Tensioning force table for types SE by using hole-position 'normal' for idler sprocket & idler roller pulley fixation.

Size SE	Pre-tension $< 10^{\circ}$		Pre-tension $< 20^{\circ}$		Pre-tension $< 30^{\circ}$	
	F (N)	s (mm)	F (N)	s (mm)	F (N)	s (mm)
11	15	14	40	28	80	40
15	25	17	65	34	135	50
18	75	17	180	34	350	50
27	150	22	380	44	800	65
38	290	30	730	60	1500	87
45	500	39	1300	78	2600	112

Tensioning Force F

Table mentioning the tightening moment for the central screw (included in scope of delivery).

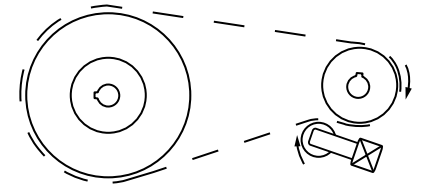
Thread Size	Quality 8.8
M6	10 Nm
M8	25 Nm
M10	49 Nm
M12	86 Nm
M16	210 Nm
M20	410 Nm

When fixing the idler sprockets and idler roller pulleys in arm position 'hard', the tensioning force will increase by about 25%.

Mounting Instructions

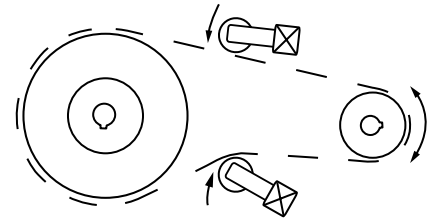
Normal Positioning

The DUNLOP tensioning elements are always positioned on the slack side of the chain. They should be fitted as close as possible to the big wheel and hide the chain from the outer side. The ideal positioning of the tensioning arm is nearly parallel to the chain drive.



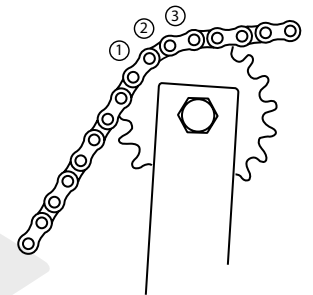
Reversible Chain Drives

The tensioning elements must be placed on both sides of the chain. Due to the reversible function there results a much higher pressure on the load side than on the slack side of the chain. It is therefore advised to use oversized tensioning elements and a pretension angle of max 15°.



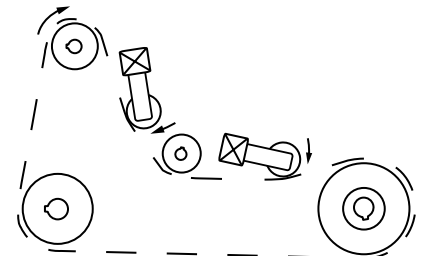
Chain Engagement

At least 3 teeth of the idler sprocket must engage into the roller chain when tensioning the chain for the first time. The minimum number of engaged sprocket teeth between the tensioning wheel and chain is 3.



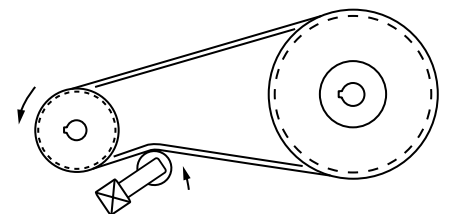
Mounting

The chain tensioner must be adjusted in the axial and angular direction. The tensioning area should be nearly in parallel position to the chain and in the direction of the chain's drive. In case the chain drives are extremely long it is possible to fit several chain tensioners in order to obtain better tensioning and compensation.



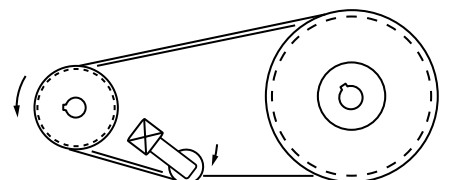
V-Belt Tensioner - Outer Roller

Please refer to the instructions of the belt manufacturer for further information on the belt structure when mounting our DUNLOP belt tensioning elements with flat rollers on the back of the belt. Inner or outer tension rollers must be positioned as far away as possible from the next V-Belt pulley the belt is guided to.



V-Belt Tensioner - Inner Grooved Pulleys

V-Belt pulleys can be mounted as inner rollers at any position on the slack side of the V-Belt (for drives with long axial distances and a high level of vibration we recommend to use pulleys with deep grooves).



INSTRUCTIONS FOR BELT DRIVES

Selection of the adequate DUNLOP Tensioner size

Selection table mentioning the most conventional V-Belt types.

V-Belt Type	Width (mm)	Height (mm)	Diam. of smaller pulley (mm)	Initial operation test-force F_1^{**} (N)	Initial operation test-force F_0^{**} (N)	Size SE* (without SE-W and SE-B)				
						1 Belt	2 Belt	3 Belt	4 Belt	5 Belt
SPZ, SPZX	10	8	56-71	20	16	11	18	18	18	18
			75-90	22	18	11	18	18	18	27
			95-125	25	20	15	18	18	18	27
			≥ 125	28	22	15	18	18	27	27
SPA, SPAX	13	10	80-100	28	22	15	18	18	27	27
			106-140	38	30	15	18	27	27	27
			150-200	45	36	18	18	27	27	27
			≥ 200	50	40	18	18	27	27	38
SPB, SPBX	16	13	112-160	50	40	18	18	27	27	38
			170-224	62	50	18	27	27	38	38
			236-355	77	62	18	27	38	38	38
			≥ 355	81	65	18	27	38	38	38
SPC, SPCX	22	18	224-250	87	70	18	27	38	38	38
			265-355	115	92	27	38	38	45	45
			≥ 375	144	115	27	38	38	45	45
Z, ZX	10	6	56-100	5-7.5		11	11	11	15	15
A, AX	13	8	80-140	10-15		11	15	18	18	18
B, BX	17	10	125-200	20-30		15	18	18	27	27
C, CX	22	12	200-400	40-60		18	27	27	38	38
D, DX	32	19	355-600	70-105		18	27	38	38	45

*General basic selection criteria:

$$F = F_1 \cdot z \cdot 2$$

F Resulting tensioning force by a pre-tension angle of 20°.

F_1 Initial operation test-force according guidelines of the belt manufacturer.

z Quantity of belts in drive.

2 Multiplier for the compensation of belt slippage and/or of centrifugal force generated on belt strands.

**required test-force for belt deflection of 16mm per 1000mm of centre distance. The relevant deflection by shorter or longer centre distance has to be interpolated accordingly.



TENSIONERS

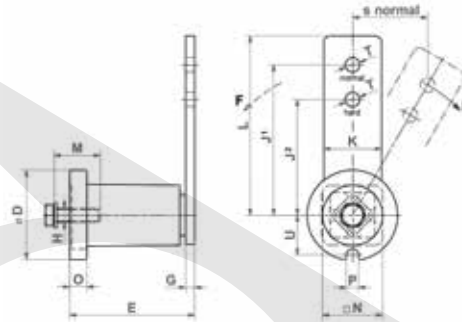
BELT AND CHAIN TENSIONERS

Description

Tensioning devices SE are available for both roller chain and V-Belt applications.

A range of idler sprockets to suit standard roller chain pitch sizes from O6B-1 to 24B-1 are available.

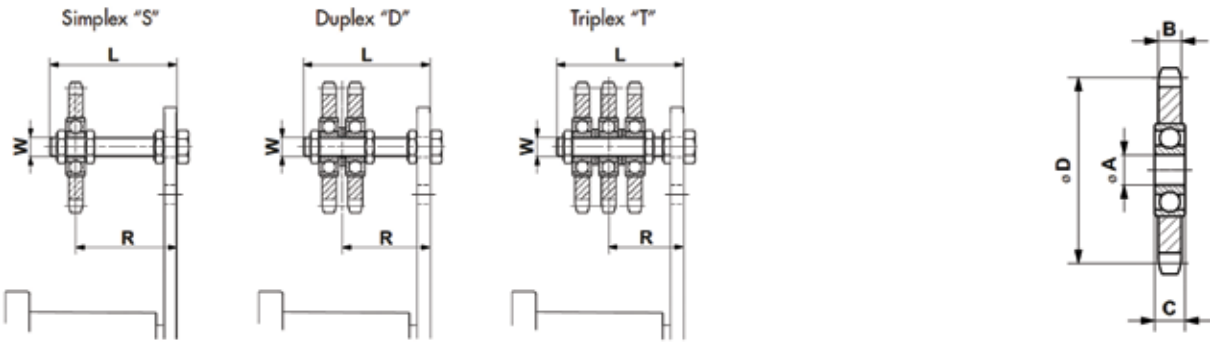
A range of idler roller pulleys are also available to suit standard V and wedge belt sections from Z/SPZ to C/SPC. Both designs have 2Z bearings fitted to the bore.



TENSIONER ARM TYPE SE

Part No.	D	E		G	H	J ¹	J ²	K	L	M	N	O	P	T	U	Weight (kg)
SE 11	35	51	+1 -0.5	5	M6	80	60	20	90	20	22	6	8	8.5	16.5	0.2
SE 15	45	64	+1 -0.5	5	M8	100	80	25	112.5	25	30	8	8.5	10.5	20.8	0.4
SE 18	58	79	+1.5 -0.5	7	M10	100	80	30	115	30	35	10.5	8.5	10.5	25.3	0.6
SE 27	78	108	+2 -0.5	8	M12	130	100	50	155	40	52	15	10.5	12.5	34.3	1.7
SE 38	95	140	+2 -0.5	10	M16	175	140	60	205	40	66	15	12.5	20.5	42.0	3.6
SE 45	115	200	+3 -1	12	M20	225	180	70	260	50	80	18	12.5	20.5	52.0	6.4

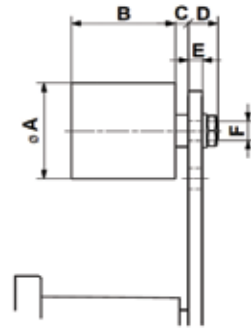




IDLER SPROCKET SETS TYPE N

Rollerchain		Part No.	Number of Teeth	W	L	Torque hex nut 0.5d (Nm)	Adjusting Range Track R	Size SE	Weight (kg)
ANSI	DIN 8187								
Simplex 'S'									
35	ISO 06 B-1	N3/8"-10 S	15	M10	55	20	22-43 / 23-43	15 / 18	0.15
40	ISO 08 B-1	N1/2"-10 S	15	M10	55	20	23-44	18	0.20
50	ISO 10 B-1	N5/8"-12 S	15	M12	80	35	27-65	27	0.35
60	ISO 12 B-1	N3/4"-12 S	15	M12	80	35	27-65	27	0.55
60	ISO 12 B-1	N3/4"-20 S	15	M20	100	172	38	38	0.85
80	ISO 16 B-1	N1"-20 S	13	M20	100	172	38	38	1.25
100	ISO 20 B-1	N1 1/4"-20 S	13	M20	100	172	45 / 50	45	2.00
120	ISO 24 B-1	N1 1/2"-20 S	11	M20	140	172	45 / 50	45	2.35
Duplex 'D'									
35	ISO 06 B-2	N3/8"-10 D	15	M10	55	20	27-39 / 28-39	15 / 18	2.00
40	ISO 08 B-2	N1/2"-10 D	15	M10	55	20	30-37	18	0.35
50	ISO 10 B-2	N5/8"-12 D	15	M12	80	35	36-57	27	0.60
60	ISO 12 B-2	N3/4"-12 D	15	M12	80	35	37-56	27	1.05
60	ISO 12 B-2	N3/4"-20 D	15	M20	120	172	50-90	38	1.35
80	ISO 16 B-2	N1"-20 D	13	M20	120	172	55-84	38	2.10
100	ISO 20 B-2	N1 1/4"-20 D	13	M20	140	172	60-102 / 68-102	45	3.60
120	ISO 24 B-2	N1 1/2"-20 D	11	M20	140	172	65-97 / 73-97	45	4.25
Triplex 'T'									
35	ISO 06 B-3	N3/8"-10 T	15	M10	70	20	33-48	18	0.25
40	ISO 08 B-3	N1/2"-12 T	15	M12	80	35	41-51	27	0.50
50	ISO 10 B-3	N5/8"-12 T	15	M12	80	35	43-50	27	0.95
50	ISO 10 B-3	N5/8"-20 T	15	M20	120	172	56-84	38	1.25
60	ISO 12 B-3	N3/4"-20 T	15	M20	120	172	59-80	38	1.50
80	ISO 16 B-3	N1"-20 T	13	M20	160	172	74-108	45	2.90
100	ISO 20 B-3	N1 1/4"-20 T	13	M20	160	172	78-105 / 86-105	45	5.20
120	ISO 24 B-3	N1 1/2"-20 T	11	M20	160	172	90-111 / 98-111	45	6.20

Rollerchain		Part No.	Number of Teeth	A	B	C	D	Weight (kg)
ANSI	DIN 8187							
35	ISO 06 B	N3/8"-10	15	10	5.3	9	45.81	0.06
40	ISO 08 B	N1/2"-10	15	10	7.2	9	61.08	0.15
40	ISO 08 B	N1/2"-12	15	12	7.2	12	61.08	0.15
50	ISO 10 B	N5/8"-12	15	12	9.1	12	76.36	0.27
50	ISO 10 B	N5/8"-20	15	20	9.1	15	76.36	0.29
60	ISO 12 B	N3/4"-12	15	12	11.1	12	91.63	0.47
60	ISO 12 B	N3/4"-20	15	20	11.1	15	91.63	0.47
80	ISO 16 B	N1"-20	13	20	16.1	15	106.14	0.88
100	ISO 20 B	N1 1/4"-20	13	20	18.5	15	132.67	1.60
120	ISO 24 B	N1 1/4"-20	11	20	24.1	15	135.23	1.93



BELT DRIVE TENSIONING ROLLER

Part No.	Max. Speed (rpm)	Max. Belt width	A	B	C	D	E max.	F	Torque hex. nut (Nm)	Size SE	Weight (kg)
R 11	8000	30	30	35	2	14	5	M8	20	11	0.08
R 15/18	8000	40	40	45	6	16	7	M10	20	15/18	0.17
R 27	6000	55	60	60	8	17	8	M12	35	27	0.40
R 38	5000	85	80	90	8	25	10	M20	160	38	1.15
R 45	4500	130	90	135	10	27	12	M20	160	45	1.75





MOTOR BASES

MOTOR BASES

Description

The fastest and most economical method of securing motors to machine beds. The five sizes are manufactured from galvanised steel and they can accommodate motor frame sizes 63 to 180. They have four slotted holes for fastening the base to the foundation.

Motor base range from SL210 to SL490.



Specification

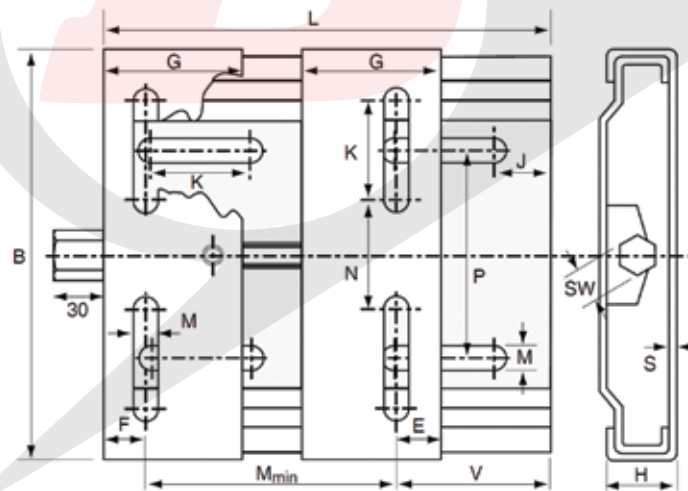
The fastest and most economical method of securing motors to machine beds. The five sizes are manufactured from galvanised steel and they can accommodate motor frame sizes 63 to 180. They have four slotted holes for fastening the base to the foundation.

Alignment

The pressed top plate is designed to slide over the base plate preventing vibration and noise whilst ensuring continuous belt alignment. Belts are tensioned by adjusting a single screw.

Motor Mount

The motor is bolted to the two piece top plate which accommodates a wide range of motors. Centre distance adjustments can be made without the need to loosen the motor bolts.



MOTOR BASES

Part No.	Frame Size	L	B	H	M	G	E	J	K	M	N	P	SW	S	V
SL210	63 - 80	210	195	33	100	70	20	25	50.0	10.5	43	98	19	3	90
SL270	63 - 100	270	195	33	100	70	20	25	50.0	10.5	43	98	19	3	150
SL307	90 - 112	307	213	35	100	70	20	30	50.0	10.5	65	108	19	3	175
SL340	90 - 132	340	290	39	136	95	27	29	62.5	12.5	90	165	22	4	180
SL430	90 - 160	430	290	39	136	95	27	29	62.5	12.5	90	165	22	4	271
SL490	160 - 180	490	409	40	110	95	40	30	60.0	15.0	193	142	22	4	336



SHAFT COLLAR



SHAFT COLLARS METRIC

Description

Bore tolerance: + +0.050mm to +0.020mm

Width tolerance: + .076mm to - .254mm

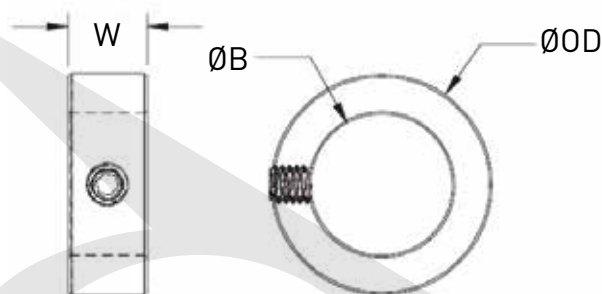
Materials

Steel: 230M07PB zinc plated 'Trivalent'

Stainless steel: 303

Temperature range: +5°C to 180°C

Additional sizes are available.



METRIC DIMENSION SERIES

Part Number Zinc Plated	Part Number Stainless Steel	Bore B (mm)	Outer Diametre OD (mm)	Width W (mm)	Set Screw
SH-C-M04SLD	SH-C-M045LD SS	4	8	5	M2.5x3
SH-C-M05SLD	SH-C-M045LD SS	5	10	6	M3x4
SH-C-M06SLD	SH-C-M065LD SS	6	12	8	M4x4
SH-C-M07SLD		7	12	8	M4x4
SH-C-M08SLD	SH-C-M08SLD SS	8	16	8	M4x4
SH-C-M09SLD		9	18	10	M5x5
SH-C-M10SLD	SH-C-M10SLD SS	10	20	10	M5x5
SH-C-M11SLD		11	20	10	M6x6
SH-C-M12SLD	SH-C-M12SLD SS	12	22	12	M6x6
SH-C-M13SLD		13	22	12	M6x6
SH-C-M14SLD	SH-C-M14SLD SS	14	25	12	M6x6
SH-C-M15SLD	SH-C-M15SLD SS	15	25	12	M6x8
SH-C-M16SLD	SH-C-M16SLD SS	16	28	12	M6x8
SH-C-M17SLD		17	28	12	M6x8
SH-C-M18SLD	SH-C-M18SLD SS	18	32	14	M6x8
SH-C-M20SLD	SH-C-M20SLD SS	20	32	14	M6x8
SH-C-M22SLD	SH-C-M22SLD SS	22	36	14	M8X8
SH-C-M24SLD		24	40	16	M8X8
SH-C-M25SLD	SH-C-M25SLD SS	25	40	16	M8X8
SH-C-M28SLD	SH-C-M28SLD SS	28	45	16	M8X10
SH-C-M30SLD	SH-C-M30SLD SS	30	45	16	M8X8
SH-C-M32SLD	SH-C-M32SLD SS	32	50	16	M8X10
SH-C-M35SLD	SH-C-M35SLD SS	35	56	16	M8X12
SH-C-M38SLD	SH-C-M38SLD SS	38	56	16	M8X10
SH-C-M40SLD	SH-C-M40SLD SS	40	63	18	M10X16
SH-C-M45SLD	SH-C-M45SLD SS	45	70	18	M10X16
SH-C-M50SLD	SH-C-M50SLD SS	50	80	18	M10X16



SHAFT COLLAR



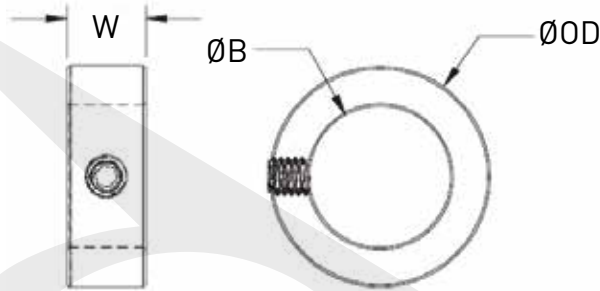
SHAFT COLLARS IMPERIAL

Description

Bore tolerance:
 Up to 1" + .0005" to + .002"
 1-1/16" to 2" + .0005" to + .003"

Materials

Steel: 230M07PB zinc plated "Trivalent"
 Stainless Steel: 303
 Temperature range: +5°C to + 180°C
 Additional sizes are available.



IMPERIAL DIMENSION SERIES

Part Number Zinc Plated	Part Number Stainless Steel	Bore B (mm)	Outer Diameter OD (mm)	Width W (mm)	Set Screw
SH-C-03	SH-3-SS	0.1875	7/16	0.280	#8-32x1/8
SH-C-04	SH-4-SS	0.2500	1/2	0.281	#8-32x1/8
SH-C-05	SH-5-SS	0.3125	5/8	0.344	#10-32x5/32
SH-C-06	SH-6-SS	0.3750	3/4	0.375	1/4-20x3/16
SH-C-07		0.4375	7/8	0.438	1/4-20x1/4
SH-C-08	SH-8-SS	0.5000	1	0.438	1/4-20x1/4
SH-C-09		0.5625	1	0.438	1/4-20x1/4
SH-C-10	SH-10-SS	0.6250	1-1/8	0.500	5/16-18x1/4
SH-C-11		0.6875	1-1/4	0.563	5/16-18x1/4
SH-C-12	SH-12-SS	0.7500	1-1/4	0.563	5/16-18x1/4
SH-C-13		0.8125	1-5/16	0.563	5/16-18x1/4
SH-C-14	SH-14-SS	0.8750	1-1/2	0.563	5/16-18x5/16
SH-C-15		0.9375	1-5/8	0.563	5/16-18x5/16
SH-C-16	SH-16-SS	1.0000	1-5/8	0.625	5/16-18x5/16
SH-C-17		1.0625	1-3/4	0.625	5/16-18x5/16
SH-C-18	SH-18-SS	1.1250	1-3/4	0.625	5/16-18x5/16
SH-C-19	SH-19-SS	1.1875	2	0.688	3/8-16x3/8
SH-C-20	SH-20-SS	1.2500	2	0.688	3/8-16x3/8
SH-C-21	SH-21-SS	1.3125	2-1/8	0.688	3/8-16x3/8
SH-C-22	SH-22-SS	1.3750	2-1/8	0.750	3/8-16x3/8
SH-C-23		1.4375	2-1/4	0.750	3/8-16x3/8
SH-C-24	SH-24-SS	1.5000	2-1/4	0.750	3/8-16x3/8
SH-C-26	SH-26-SS	1.6250	2-1/2	0.813	3/8-16x3/8
SH-C-28	SH-28-SS	1.7500	2-3/4	0.875	1/2-13x1/2
SH-C-31		1.9375	3	0.875	1/2-13x1/2
SH-C-32	SH-32-SS	2.0000	3	0.875	1/2-13x1/2

“We are proud to be a European manufacturer; it is a privilege to supply our products to some of the world’s most prestigious original equipment manufacturers in the Agricultural, Automotive, Construction, Industrial and Motor Sport sectors”.



Agriculture

“Our distributor network is vital to the continued global growth of the DUNLOP brand and our valued distributor partners form the perfect link between manufacturer and end user”.



Automotive

“Our commitment to our staff, our customers and the environment is of paramount importance to our company, we will continue to develop our organisational skills to further enhance our company’s potential, to engage in sustainable practices and anticipate the needs and expectations of our customers”.



Construction

“We love our products”.

Ray Mifsud, Managing Director.

A handwritten signature in black ink, appearing to read 'R. Mifsud'.

Industrial

#WeLoveOurProducts



Motor Sport



TRANSMISSIONS

DUNLOP BTL Ltd, MPT House, Brunswick Road, Cobbs Wood Industrial Estate, Ashford, Kent TN23 1EL, UK
T: +44 (0)1233 663340 • F: +44 (0)1233 664440 • E: sales@dunlopctl.com • W: www.dunlopctl.com

DUNLOP™ and the Flying D device™ are used under licence by DUNLOP BTL Ltd.