

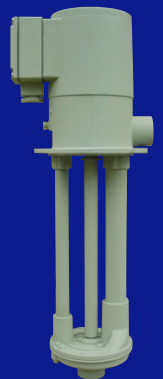
rotor

ROTOR (UK) LIMITED

PRICE LIST & BASIC DATA

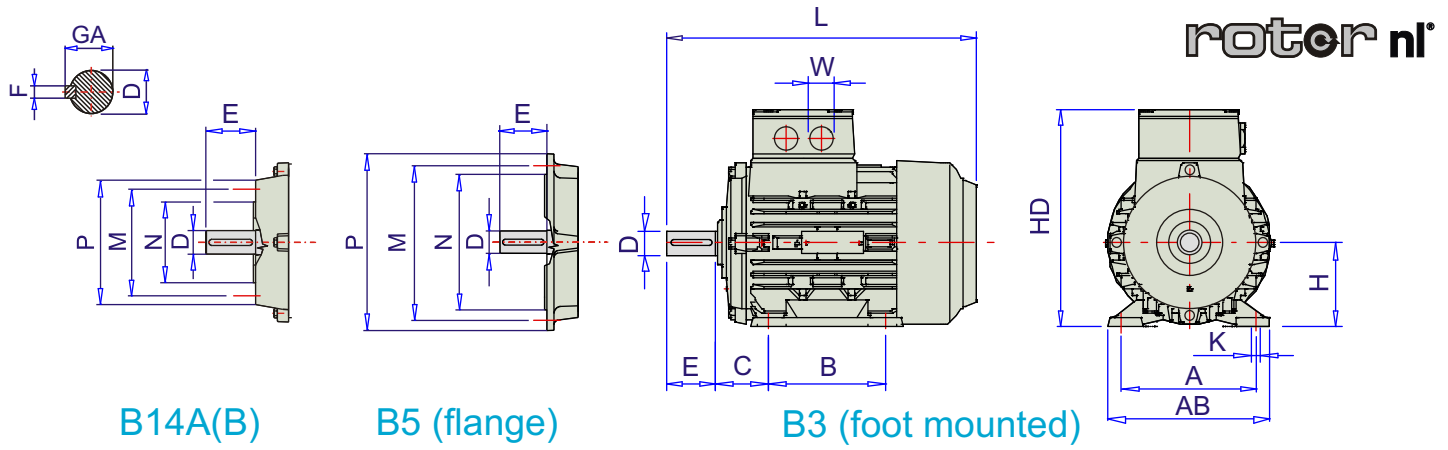
www.rotor.co.uk

rotor ni[®] special motors available
inclusive of marine execution ! Ask for details !



November 2008

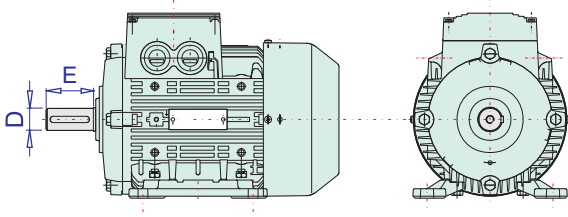
Three-phase TEFC Squirrel Cage Motors - Dimensions



Frame-(poles)	H	A	AB	B	C	HD	K	L	W	D	E	F	GA	B5 M	B14A M	B14B M
56	56	90	110	71	36	157	5.8 (M5)	170	M16+M25	9j6	20	3	10.2	FF100	FT65	FT85
63	63	100	120	80	40	164	7 (M6)	203	M16+M25	11j6	23	4	12.5	FF115	FT75	FT100
71	71	112	132	90	45	182	7 (M6)	240	M16+M25	14j6	30	5	16	FF130	FT85	FT115
80	80	125	150	100	50	200	10 (M8)	274	M16+M25	19j6	40	6	21.5	FF165	FT100	FT130
90S	90	140	165	100	56	218	10 (M8)	331	M16+M25	24j6	50	8	27	FF165	FT115	FT130
90L	90	140	165	125	56	218	10 (M8)	331	M16+M25	24j6	50	8	27	FF165	FT115	FT130
100L	100	160	192	140	63	261	12 (M10)	373	M32	28j6	60	8	31	FF215	FT130	FT165
112M	112	190	225	140	70	287	12 (M10)	394	M32	28j6	60	8	31	FF215	FT130	FT165
132S	132	216	255	140	89	323	12 (M10)	454	M32	38k6	80	10	41	FF265	FT165	-
132M	132	216	255	178	89	323	12 (M10)	454	M32	38k6	80	10	41	FF265	FT165	-
160M	160	254	300	210	108	383	14.5 (M12)	589	M40	42k6	110	12	45	FF300	FT215	-
160L	160	254	300	254	108	383	14.5 (M12)	589	M40	42k6	110	12	45	FF300	FT215	-
180M	180	279	339	241	121	449	14.5 (M12)	669	M40	48k6	110	14	51.5	FF300	-	-
180L-2	180	279	339	241	121	449	14.5 (M12)	720	M40	48k6	110	14	51.5	FF300	-	-
180L-4/6/8	180	279	339	279	121	449	14.5 (M12)	720	M40	48k6	110	14	51.5	FF300	-	-
200L	200	318	378	305	133	503	18.5 (M16)	720	M50	55m6	110	16	59	FF350	-	-
225S-4/6/8	225	356	436	311	149	553	18.5 (M16)	788	M50	60m6	140	18	64	FF400	-	-
225M-2	225	356	436	311	149	553	18.5 (M16)	758	M50	55m6	110	16	59	FF400	-	-
225M-4/6/8	225	356	436	311	149	553	18.5 (M16)	788	M50	60m6	140	18	64	FF400	-	-
250M-2	250	406	490	349	168	642	24 (M20)	887	M63	60m6	140	18	64	FF500	-	-
250M-4/6/8	250	406	490	349	168	642	24 (M20)	887	M63	65m6	140	18	69	FF500	-	-
280S-2	280	457	540	368	190	712	24 (M20)	960	M63	65m6	140	18	69	FF500	-	-
280S-4/6/8	280	457	540	368	190	712	24 (M20)	960	M63	75m6	140	20	79.5	FF500	-	-
280M-2	280	457	540	419	190	712	24 (M20)	960	M63	65m6	140	18	69	FF500	-	-
280M-4/6/8	280	457	540	419	190	712	24 (M20)	960	M63	75m6	140	20	79.5	FF500	-	-
315S-2	315	508	610	457	216	815	28 (M24)	1072	M63	65m6	140	18	69	FF600	-	-
315S-4/6/8	315	508	610	457	216	815	28 (M24)	1102	M63	80m6	170	22	85	FF600	-	-
315M-2	315	508	610	457	216	815	28 (M24)	1072	M63	65m6	140	18	69	FF600	-	-
315M-4/6/8	315	508	610	457	216	815	28 (M24)	1102	M63	80m6	170	22	85	FF600	-	-
315L-2	315	508	610	508	216	815	28 (M24)	1232	M63	65m6	140	18	69	FF600	-	-
315L-4/6/8	315	508	610	508	216	815	28 (M24)	1262	M63	80m6	170	22	85	FF600	-	-
Increased Output Motors																
56-V	56	90	110	71	36	157	5.8 (M5)	170	M16+M25	9j6	20	3	10.2	FF100	FT65	FT85
63-V	63	100	120	80	40	164	7 (M6)	229	M16+M25	11j6	23	4	12.5	FF115	FT75	FT100
71-V	71	112	132	90	45	182	7 (M6)	240	M16+M25	14j6	30	5	16	FF130	FT85	FT115
80-V	80	125	150	100	50	200	10 (M8)	316	M16+M25	19j6	40	6	21.5	FF165	FT100	FT130
90L-V	90	140	165	125	56	218	10 (M8)	374	M16+M25	24j6	50	8	27	FF165	FT115	FT130
100L-V	100	160	192	140	63	261	12 (M10)	409	M16+M25	28j6	60	8	31	FF215	FT130	FT165
112M-V	112	190	225	140	70	287	12 (M10)	432	M32	28j6	60	8	31	FF215	FT130	FT165
132M-V	132	216	255	178	89	323	12 (M10)	496	M32	38k6	80	10	41	FF265	FT165	-
160L-V	160	254	300	254	108	383	14.5 (M12)	629	M40	42k6	110	12	45	FF300	FT215	-
180L-2-A8	180	279	339	241	121	449	14.5 (M12)	720	M40	48k6	110	14	51.5	FF300	-	-
180L-4/6/8-A8/B	180	279	339	279	121	449	14.5 (M12)	720	M40	48k6	110	14	51.5	FF300	-	-
200L-A8	200	318	378	305	133	503	18.5 (M16)	777	M50	55m6	110	16	59	FF350	-	-
225M-2-A8/B8	225	356	436	311	149	553	18.5 (M16)	818	M50	55m6	110	16	59	FF400	-	-
225M-4/6/8-A8/B	225	356	436	311	149	553	18.5 (M16)	848	M50	60m6	140	18	64	FF400	-	-
250M-2-A8	250	406	490	349	168	642	24 (M20)	887	M63	60m6	140	18	64	FF500	-	-
250M-4/6/8-A8	250	406	490	349	168	642	24 (M20)	957	M63	65m6	140	18	69	FF500	-	-
280M-2-B8	280	457	540	419	190	712	24 (M20)	1070	M63	65m6	140	18	69	FF500	-	-
280M-4/6/8	280	457	540	419	190	712	24 (M20)	1070	M63	75m6	140	20	79.5	FF500	-	-
315L-2B8	315	508	610	508	216	815	28 (M24)	1372	M63	65m6	140	18	69	FF600	-	-
315L-4/6/8-A8	315	508	610	508	216	815	28 (M24)	1402	M63	80m6	170	22	85	FF600	-	-
315L-4/6/8-A9	315	508	610	508	216	815	28 (M24)	1546	M75	80m6	170	22	85	FF740	-	-

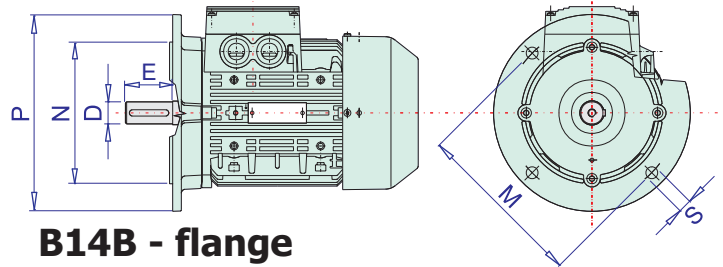
Motor Flange Explanation

B3 - foot mounted motor



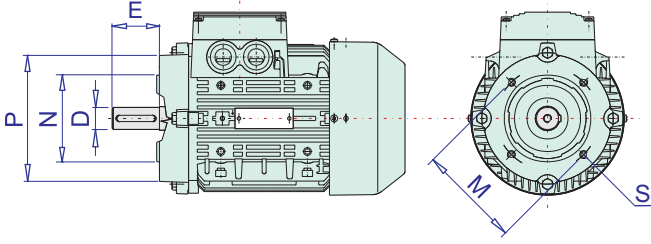
B5 - flange ("D" flange)

The flange diameter is bigger than the motor frame diameter. The holes are not tapped. B5 flanges are available for all motor sizes.



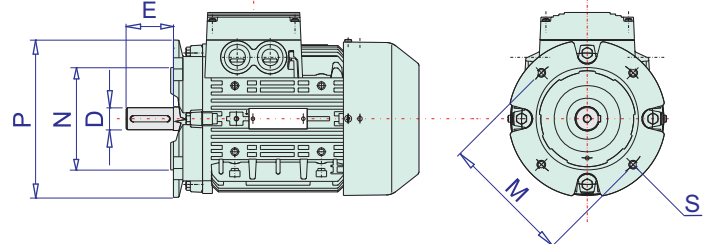
B14A - flange ("C" face)

The flange diameter is smaller than the motor frame diameter. The holes are tapped. Available for frame sizes 56 to 132 mm.



B14B - flange

The flange diameter is bigger than B14A but smaller than B5 flange. The holes are tapped. Available for frame sizes 56 to 112 mm.



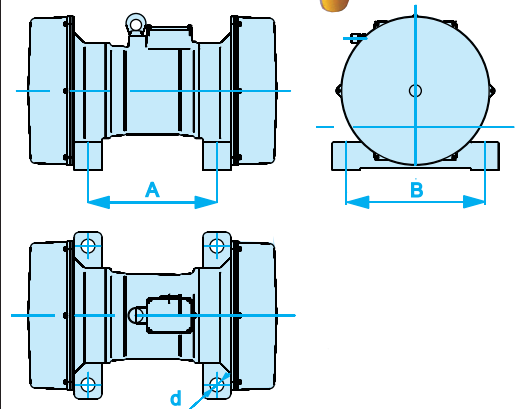
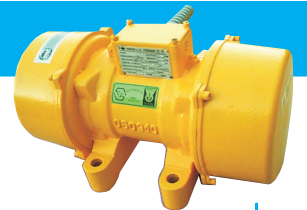
SIZE	Shaft		B5 FLANGE ("D" flange)				B14A FLANGE ("C" face)				B14B FLANGE			
	Diameter D	Length E	PCD M	Spigot N	Diameter P	Hole Dia S	PCD M	Spigot N	Diameter P	Hole S	PCD M	Spigot N	Diameter P	Hole S
56 frame	9	20	100	80	120	7	65	50	80	M5	85	70	105	M6
63 frame	11	23	115	95	140	10	75	60	90	M5	100	80	120	M6
71 frame	14	30	130	110	160	10	85	70	105	M6	115	95	140	M8
80 frame	19	40	165	130	200	12	100	80	120	M6	130	110	160	M8
90 frame	24	50	165	130	200	12	115	95	140	M8	130	110	160	M8
100 frame	28	60	215	180	250	14.5	130	110	160	M8	165	130	200	M10
112 frame	28	60	215	180	250	14.5	130	110	160	M8	165	130	200	M10
132 frame	38	80	265	230	300	14.5	165	130	200	M10	--	--	--	--
160 frame	42	110	300	250	350	18.5	--	--	--	--	--	--	--	--
180 frame	48	110	300	250	350	18.5	--	--	--	--	--	--	--	--
200 frame	55	110	350	300	400	18.5	--	--	--	--	--	--	--	--
225 frame	55/60	110/140	400	350	450	18.5	--	--	--	--	--	--	--	--
250 frame	60/65	140	500	450	550	18.5	--	--	--	--	--	--	--	--
280 frame	65/75	140	500	450	550	18.5	--	--	--	--	--	--	--	--
315 frame	65/80	140/170	600	550	660	24	--	--	--	--	--	--	--	--
355 frame	TBA	TBA	740	680	800	24	--	--	--	--	--	--	--	--

225 frame & above: 2p/4,6,8p PCD - Pitch Circle Diameter

VIBROS - Vibrator Motors - Price List & Technical Data

FO Types are suitable for Frequency Inverter Control
400V Three-phase 50Hz; Other voltages available - P.O.A.

	TYPE	OUTPUT	CENTRIFUGAL FORCE	WEIGHT	WORKING MOMENT	A [mm]	B [mm]	d [mm]	LIST PRICE
6p	FO12-6	0.15 kW	2800 N	7 kg	7 kg.mm	70	140	4x14	£522
	FO22-6	0.37 kW	7345 N	21 kg	19 kg.mm	120	190	4x18	£812
2pole	NO02-515	0.06 kW	515 N	3.8 kg	5.2 kg.mm	40	100	4x9	£366
	NO02-805	0.06 kW	805 N	3.8 kg	8.2 kg.mm	40	100	4x9	£374
	NO02-1090	0.06 kW	1090 N	3.8 kg	11 kg.mm	40	100	4x9	£383
	NO12	0.15 kW	2800 N	7.2 kg	28 kg.mm	70	140	4x14	£469
	NO22	0.37 kW	7345 N	22 kg	74 kg.mm	120	190	4x18	£803
	NO32	0.75 kW	13725 N	37 kg	139 kg.mm	150	210	4x22	£945
NA32	2 kW	20720 N	65 kg	209 kg.mm	240	280	4x22	£1,226	
4pole	NO14	0.12 kW	1230 N	8.2 kg	50 kg.mm	70	140	4x14	£522
	NO24	0.37 kW	5525 N	26 kg	224 kg.mm	120	190	4x18	£830
	NO34	0.75 kW	12155 N	39 kg	492 kg.mm	150	210	4x22	£1,017
	NA34	2 kW	20490 N	74 kg	830 kg.mm	240	280	4x22	£1,390
	NA44	2.7 kW	31495 N	100 kg	1276 kg.mm	270	300	4x27	£1,996
NA54	3.5 kW	48745 N	153 kg	1975 kg.mm	325	350	4x35	£3,013	
6pole	NO16	0.06 kW	820 N	9 kg	75 kg.mm	27	140	4x14	£558
	NO26	0.27 kW	4695 N	33 kg	428 kg.mm	120	190	4x18	£844
	NO36	0.55 kW	9615 N	52 kg	876 kg.mm	150	210	4x22	£1,105
	NA36	1.1 kW	20200 N	93 kg	1845 kg.mm	240	280	4x22	£1,373
	NA46	2 kW	27995 N	120 kg	2553 kg.mm	270	300	4x27	£2,032
	NA56	2.7 kW	43328 N	185 kg	3951 kg.mm	325	350	4x35	£3,111

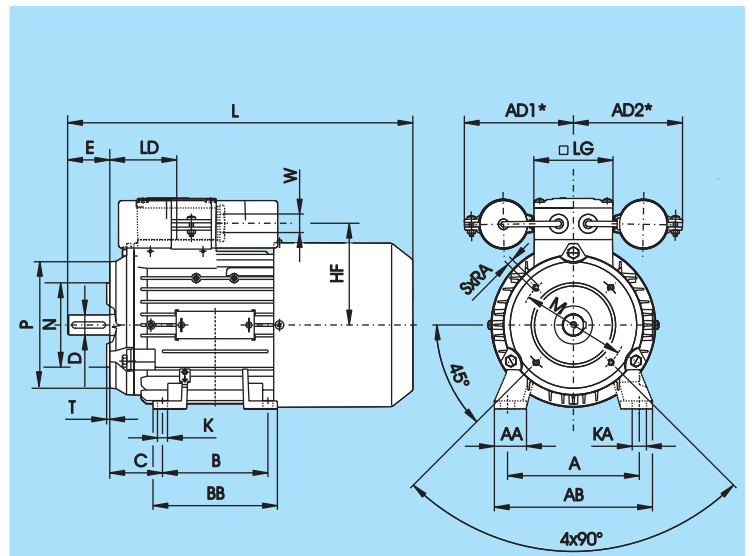
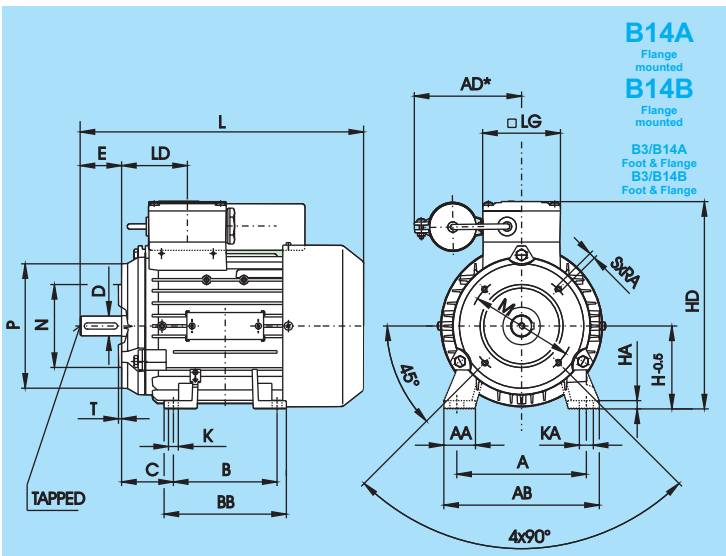
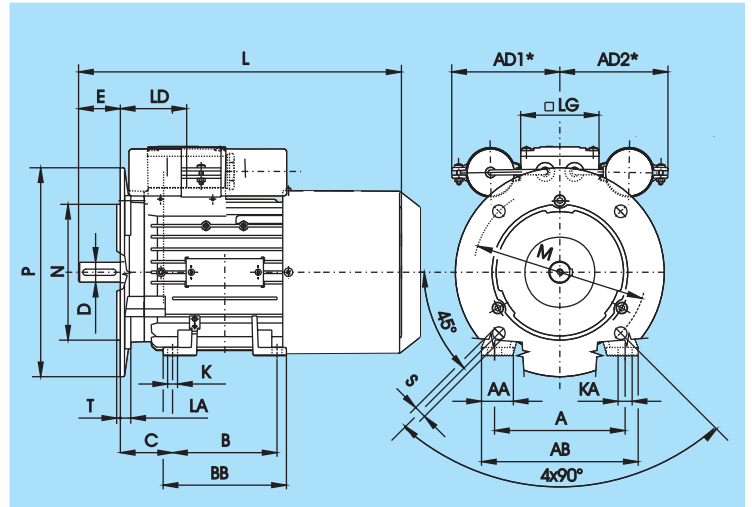
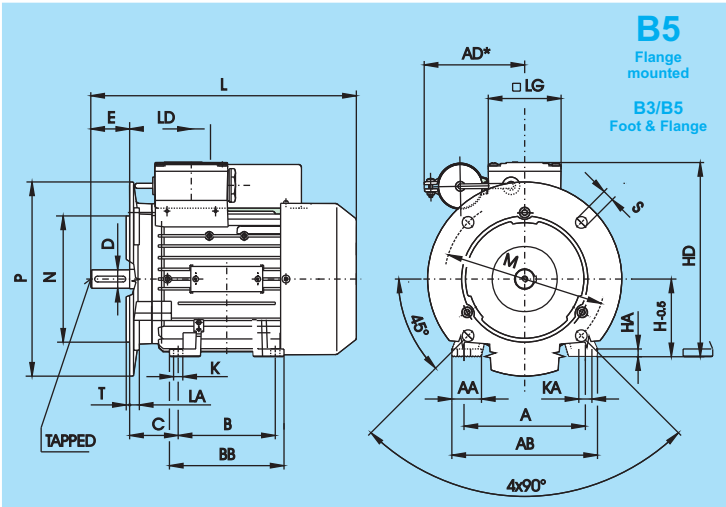
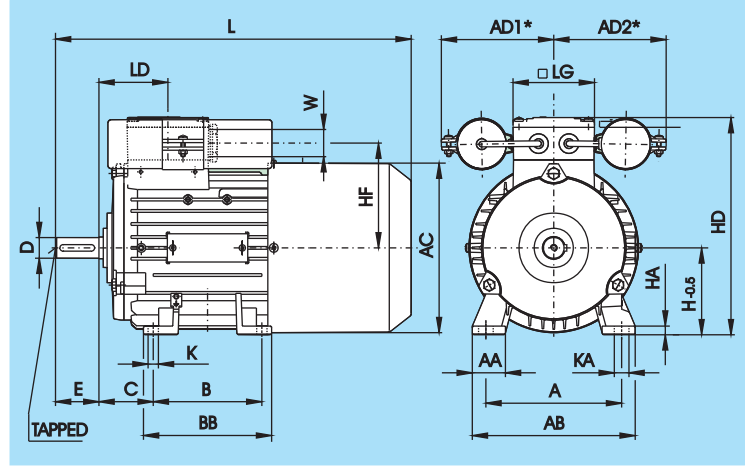
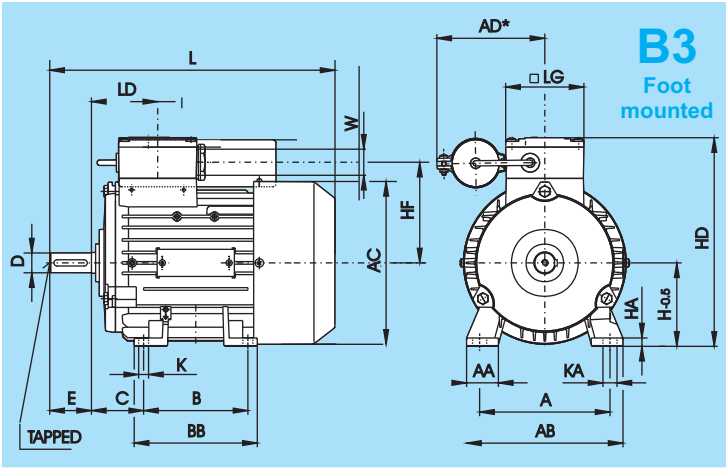


Check the footprint!
 There is no international standard.
 Manufacturers design their own footprint.

The surface vibrators series "O", "A" and "FO" represent a new range of 2, 4, 6 and 8pole electro-mechanical vibration generators. The vibration is achieved by rotating of unbalanced weight segments on both ends of the shaft. The vibrators have been designed for continuous duty and maintenance-free operation. The "FO" range has been designed for use with frequency inverters for max speed of 6000 rpm.

7AAC-Permanent Capacitor Motors

7AACC-Capacitor Start-Capacitor Run Motors

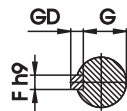


Quality Ball Bearings	
DE / NDE	
56 frame	6201 / 6201 2Z C3
63 frame	6201 / 6201 2Z C3
71 frame	6202 / 6202 2Z C3
80 frame	6004 / 6004 2Z C3
90 frame	6205 / 6004 2Z C3
100 frame	6206 / 6205 2Z C3

Shaft Size & Tapped Hole	
56 frame	shaft \varnothing 9mm -M3x9mm
63 frame	shaft \varnothing 11mm -M4x13mm
71 frame	shaft \varnothing 14mm -M5x12.5mm
80 frame	shaft \varnothing 19mm -M6x16mm
90 frame	shaft \varnothing 24mm -M8x19mm
100 frame	shaft \varnothing 28mm -M10x22mm

Frame	Shaft					B5 FLANGE					B14A FLANGE					B14B FLANGE						
	D	E	F	G	GD	M	N	P	S	T	RA	M	N	P	S	T	RA	M	N	P	S	T
63	11	23	4	8.5	4	115	95	140	10	3	10	75	60	90	M5	2.5	12	100	80	120	M6	3
71	14	30	5	11	5	130	110	160	10	3.5	12	85	70	105	M6	2.5	13	115	95	140	M8	3
80	19	40	6	15.5	6	165	130	200	12	3.5	12	100	80	120	M6	3	13	130	111	160	M8	3.5
90	24	50	8	20	7	165	130	200	12	3.5	18	115	95	140	M8	3	18	130	110	160	M8	3.5
100	28	60	8	24	7	215	180	250	14.5	4	14	130	110	160	M8	3.5	12	165	130	200	M10	3.5

RA - depth of tapped hole in flange



Three-phase TEFC Squirrel Cage Standard Motors

SIEMENS



Output kW	Frame Size	Speed rpm	Rated current			Power factor cosφ	Efficiency			Rated torque Nm	Ratio			Noise Lpa dB(A)	Weight kg	List Price £		Product Code
			380V A	400V A	415V A		Class	100%Load %	75%Load %		Starting current	Starting torque	B/down torque			Foot mounted	Flange or Foot&Flange	
3000 rpm, 2-pole, 50Hz, IP55, Insulation F/B																		
0.09	56M	2830	0.26	0.26	0.26	0.81		63	62	0.3	3.7	2	2.3	41	3	£98	£114	1LA7 050-2AA..
0.12		2800	0.32	0.32	0.32	0.83		65	64	0.41	3.7	2.1	2.4	41	3	£99	£115	1LA7 053-2AA..
0.18	63M	2820	0.52	0.51	0.53	0.82		63	62	0.61	3.7	2	2.2	49	3.5	£99	£115	1LA7 060-2AA..
0.25		2830	0.68	0.68	0.70	0.82		65	65	0.84	4	2	2.2	49	4.1	£105	£122	1LA7 063-2AA..
0.37	71M	2740	1.05	1.00	1.02	0.82		66	65	1.3	3.5	2.2	2.2	52	5	£116	£132	1LA7 070-2AA..
0.55		2800	1.38	1.36	1.41	0.82		71	70	1.9	4.3	2.5	2.6	52	6.6	£128	£144	1LA7 073-2AA..
0.75	80M	2855	1.75	1.73	1.79	0.86		73	72	2.5	5.6	2.3	2.4	56	8.2	£143	£166	1LA7 080-2AA..
1.1		2845	2.45	2.40	2.50	0.87	eff2	77	77	3.7	6.1	2.6	2.7	56	9.9	£162	£185	1LA7 083-2AA..
1.5	90S	2860	3.40	3.30	3.35	0.85	eff2	78	80	5	5.5	2.4	2.7	60	12.9	£200	£223	1LA7 090-2AA..
2.2	90L	2880	4.70	4.60	4.65	0.85	eff2	82	81	7.3	6.3	2.8	3.1	60	15.7	£244	£268	1LA7 096-2AA..
3	100L	2890	6.25	6.10	6.15	0.85	eff2	84	84	9.9	6.8	2.8	3	62	22	£302	£340	1LA7 106-2AA..
4	112M	2905	8.20	7.80	7.70	0.86	eff2	86	86	13	7.2	2.6	2.9	63	29	£380	£422	1LA7 113-2AA..
5.5	132S	2925	10.6	10.3	10.4	0.89	eff2	86.5	86.5	18	5.9	2	2.8	68	41	£465	£515	1LA7 130-2AA..
7.5		2930	14.1	13.8	13.8	0.89	eff2	88	88	24	6.9	2.3	3	68	49	£585	£635	1LA7 131-2AA..
11	160M	2940	21.0	20.0	20.5	0.88	eff2	89.5	89.5	36	6.5	2.1	2.9	70	69	£784	£873	1LA7 163-2AA..
15		2930	28.0	26.5	26.0	0.90	eff2	90	90.2	49	6.6	2.2	3	70	80	£1,004	£1,093	1LA7 164-2AA..
18.5	160L	2940	34.0	32.5	32.0	0.91	eff2	91	91.2	60	7	2.4	3.1	70	93	£1,243	£1,332	1LA7 166-2AA..
22	180M	2945	41.5	40.5	40	0.86	eff2	91.6	92	71	6	2.5	3	69	145	£1,612	£1,748	1LG4 183-2AA..
30	200L	2950	56	54	53	0.88	eff2	91.8	92	97	7	2.3	3	73	205	£2,272	£2,424	1LG4 206-2AA..
37		2955	67	65	64	0.89	eff2	92.9	93	120	7	2.5	3	73	225	£2,496	£2,648	1LG4 203-2AA..
45	225M	2960	83	79	76	0.88	eff2	93.6	94	145	7	2.4	3	73	285	£4,094	£4,257	1LG4 223-2AA..
55	250M	2970	100	96	94	0.88	eff2	93.6	94	177	7	2.1	3	75	375	£4,643	£4,869	1LG4 253-2AB..
75	280S	2975	136	130	128	0.88	eff2	94.5	94	241	8	2.5	3	74	500	£6,184	£6,431	1LG4 280-2AB..
90	280M	2975	162	154	152	0.89	eff2	95.1	95	289	7	2.6	3	74	540	£7,475	£7,722	1LG4 283-2AB..
110	315S	2982	198	190	190	0.88		94.6	94	352	7	2.4	3	79	720	£9,451	£9,914	1LG4 310-2AB..
132	315M	2982	230	225	220	0.90		95.1	95	423	7	2.4	3	79	775	£10,672	£11,135	1LG4 313-2AB..
160	315L	2982	280	265	260	0.91		95.5	95	512	7	2.4	3	79	900	£11,554	P.O.A.	1LG4 316-2AB..
200		2982	345	325	320	0.92		95.9	96	641	7	2.3	3	79	1015	£17,388	P.O.A.	1LG4 317-2AB..
1500 rpm, 4-pole, 50Hz, IP55, Insulation F/B																		
0.06	56M	1350	0.21	0.20	0.21	0.77		56	55	0.42	2.6	1.9	1.9	42	3	£95	£112	1LA7 050-4AB..
0.09		1350	0.30	0.29	0.31	0.77		58	57	0.63	2.6	1.9	1.9	42	3	£97	£113	1LA7 053-4AB..
0.12	63M	1350	0.42	0.42	0.44	0.75		55	54	0.84	2.8	1.9	2	42	3.5	£98	£114	1LA7 060-4AB..
0.18		1350	0.56	0.56	0.57	0.77		60	60	1.30	3	1.9	1.9	42	4.1	£102	£118	1LA7 063-4AB..
0.25	71M	1350	0.81	0.77	0.78	0.78		60	60	1.80	3	1.9	1.9	44	4.8	£112	£128	1LA7 070-4AB..
0.37		1370	1.09	1.05	1.08	0.78		65	65	2.50	3.3	1.9	2.1	44	6	£120	£136	1LA7 073-4AB..
0.55	80M	1395	1.50	1.45	1.50	0.82		67	67	3.70	3.9	2.2	2.2	47	8	£137	£161	1LA7 080-4AA..
0.75		1395	1.90	1.86	1.92	0.81		72	72	5.10	4.2	2.3	2.3	47	9.4	£163	£186	1LA7 083-4AA..
1.1	90S	1415	2.60	2.55	2.60	0.81	eff2	77	77	7.40	4.6	2.3	2.4	48	12.3	£189	£213	1LA7 090-4AA..
1.5	90L	1420	3.50	3.40	3.50	0.81	eff2	79	79	10.0	5.3	2.4	2.6	48	15.6	£225	£250	1LA7 096-4AA..
2.2	100L	1420	4.80	4.70	4.80	0.82	eff2	82	82.5	15.0	5.6	2.5	2.8	53	22	£263	£302	1LA7 106-4AA..
3		1420	6.50	6.40	6.80	0.82	eff2	83	83.5	20.0	5.6	2.7	3	53	25	£304	£342	1LA7 107-4AA..
4	112M	1440	8.40	8.20	8.30	0.83	eff2	85	85.5	27.0	6	2.7	3	53	31	£363	£406	1LA7 113-4AA..
5.5	132S	1455	11.4	11.4	11.9	0.81	eff2	86	86	36.0	6.3	2.5	3.1	62	43	£473	£523	1LA7 130-4AA..
7.5	132M	1455	15.4	15.2	15.5	0.82	eff2	87	87.5	49.0	6.7	2.7	3.2	62	49	£605	£656	1LA7 133-4AA..
11	160M	1460	22.3	21.5	21.5	0.84	eff2	88.5	89	72.0	6.2	2.2	2.7	66	68	£825	£913	1LA7 163-4AA..
15	160L	1460	29.5	28.5	28.5	0.84	eff2	90	90.2	98.0	6.5	2.6	3	66	93	£1,047	£1,135	1LA7 166-4AA..
18.5	180M	1465	36	35	35	0.84	eff2	90.4	91	121	7	2.4	3	65	140	£1,378	£1,513	1LG4 183-4AA..
22	180L	1465	42.5	41.5	41.5	0.84	eff2	91.0	92	143	7	2.5	3	65	155	£1,627	£1,763	1LG4 186-4AA..
30	200L	1465	57	56	56	0.85	eff2	91.6	92	196	7	2.5	3	66	205	£2,285	£2,438	1LG4 207-4AA..
37	225S	1475	72	68	66	0.85	eff2	92.2	93	240	7	2.5	3	66	265	£2,916	£3,080	1LG4 220-4AA..
45	225M	1475	85	81	78	0.86	eff2	93.1	94	291	7	2.7	3	66	300	£3,548	£3,711	1LG4 223-4AA..
55	250M	1480	104	100	99	0.85	eff2	93.5	94	355	6	2.4	3	67	390	£4,068	£4,295	1LG4 253-4AA..
75	280S	1485	144	136	134	0.85	eff2	94.2	94	482	7	2.5	3	70	535	£5,160	£5,407	1LG4 280-4AA..
90	280M	1485	168	160	158	0.86	eff2	94.6	95	579	7	2.5	3	70	580	£6,871	£7,119	1LG4 283-4AA..
110	315S	1488	205	198	196	0.85		94.6	95	706	6	2.5	3	70	730	£8,484	£8,947	1LG4 310-4AA..
132	315M	1488	245	235	235	0.85		95.2	95	847	7	2.7	3	70	810	£9,591	£10,054	1LG4 313-4AA..
160	315L	1486	295	280	280	0.86		95.7	96	1028	7	2.7	3	70	955	£11,078	P.O.A.	1LG4 316-4AA..
200		1486	360	340	335	0.88		95.9	96	1285	7	2.6	3	70	1060	£15,144	P.O.A.	1LG4 317-4AA..

Aluminium Frame

Increased Output Motors available upon request!

Cast Iron Frame - More frame sizes in Cast Iron are available - ask for details

To replace the two .., please use the following:

1LXX XXX-XXX□□

Voltage:		
230VD/400VY 50Hz	460VY 60Hz	1
400VD/690VY 50Hz	460VD 60Hz	6

Mounting:		
B3		0
B5		1
B14A		2
B14B		3
V1 (CANOPY)		4
B3/B5		6
B3/B14A		7

Standard voltages

Up to 2.2kW inclusive - 230V Delta / 400V Star ± 10% 3ph 50Hz
- 460V Star ± 10% 3ph 60Hz

From 3kW inclusive - 400V Delta / 690V Star ± 10% 3ph 50Hz
- 460V Delta ± 10% 3ph 60Hz

Insulation class F/B - inverter resistant

Tropical windings

Ambient temperature -30°C to +40°C (-20°C to +40°C for large sizes)

Altitude up to 1000m

Continuous duty cycle - S1

Three-phase TEFC Squirrel Cage Standard Motors

SIEMENS

Output kW	Frame Size	Speed rpm	Rated current			Power factor cosφ	Efficiency	Class	Rated torque Nm	Ratio			Noise Lpa dB(A)	Weight kg	List Price £		Product Code	
			380V A	400V A	415V A					100%Load %	75%Load %	Starting current			Starting torque	B/down torque		Foot mounted
1000 rpm, 6-pole, 50Hz, IP55, Insulation F/B																		
0.09	63M	850	0.48	0.44	0.5	0.66		45	50	1.0	2	1.8	1.9	39	4.1	£126	£144	1LA7 063-6AB..
0.18	71M	850	0.69	0.72	0.84	0.68		53	55	2.0	2.3	2.1	1.9	39	6.3	£142	£160	1LA7 070-6AA..
0.25		860	0.81	0.79	0.81	0.76		60	60	2.8	2.7	2.2	2	39	6.3	£162	£180	1LA7 073-6AA..
0.37	80M	920	1.18	1.20	1.25	0.72		62	61	3.9	3.1	1.9	2.1	40	7.5	£162	£188	1LA7 080-6AA..
0.55		910	1.62	1.60	1.66	0.74		67	66	5.8	3.4	2.1	2.2	40	9.4	£174	£201	1LA7 083-6AA..
0.75	90S	915	2.10	2.10	2.15	0.76		69	55	7.8	3.7	2.2	2.2	43	12.5	£200	£225	1LA7 090-6AA..
1.1	90L	915	3.00	2.90	2.95	0.77		72	71	11.5	3.8	2.3	2.3	43	15.7	£238	£264	1LA7 096-6AA..
1.5	100L	925	4.00	3.90	4.10	0.75		74	73	16	4.2	2.2	2.4	47	24	£303	£345	1LA7 106-6AA..
2.2	112M	940	5.40	5.20	5.30	0.78		78	77	22	4.6	2.2	2.5	52	27	£377	£423	1LA7 113-6AA..
3	132S	950	7.30	7.20	7.50	0.76		79	78	30	4.2	1.9	2.2	63	41	£489	£544	1LA7 130-6AA..
4		950	9.50	9.40	9.70	0.76		80.5	80	40	4.5	2.1	2.4	63	46	£554	£610	1LA7 133-6AA..
5.5	132M	950	13.0	12.6	13.1	0.76		83	82	55	5	2.3	2.6	63	54	£700	£754	1LA7 134-6AA..
7.5	160M	960	17.5	17.0	17.3	0.74		86	85	75	4.6	2.1	2.5	66	76	£898	£995	1LA7 163-6AA..
11	160L	960	24.8	24.5	24.7	0.74		87.5	87	109	4.8	2.3	2.6	66	102	£1,205	£1,302	1LA7 166-6AA..
15	180L	965	30.5	29.5	28.5	0.83		88.9	90.3	148	5.3	2.3	2.5	59	150.0	£1,639	£1,789	1LG4 186-6AA..
18.5	200L	975	37	36.5	37.5	0.81		89.8	90.2	181	5.6	2.5	2.5	59	195.0	£2,148	£2,317	1LG4 206-6AA..
22		975	45	43.5	43	0.81		90.3	91.0	215	5.7	2.6	2.5	59	205.0	£2,798	£2,967	1LG4 207-6AA..
30	225M	978	60	57	55	0.83		91.8	92.8	293	5.6	2.7	2.5	60	280.0	£3,666	£3,844	1LG4 223-6AA..
37	250M	980	73	70	69	0.83		92.3	93.0	361	6.0	2.7	2.3	61	370.0	£4,423	£4,674	1LG4 253-6AA..
45	280S	985	87	83	81	0.85		92.4	93.1	436	6.1	2.4	2.4	61	475.0	£5,411	£5,684	1LG4 280-6AA..
55	280M	985	106	100	98	0.86		92.7	93.3	533	6.3	2.5	2.5	61	510.0	£7,328	£7,601	1LG4 283-6AA..
75	315S	988	142	138	138	0.84		93.5	93.7	725	6.5	2.5	2.8	65	685.0	£9,106	£9,618	1LG4 310-6AA..
90	315M	988	170	164	164	0.84		93.9	94.2	870	6.8	2.6	2.9	65	750.0	£10,451	£10,962	1LG4 313-6AA..
110	315L	988	205	196	192	0.86		94.3	94.6	1063	6.8	2.5	2.9	65	890.0	£12,073	P.O.A.	1LG4 316-6AA..
132		988	245	235	230	0.86		94.8	95.0	1276	7.3	3.1	3.0	65	980.0	£15,769	P.O.A.	1LG4 317-6AA..
160		988	295	285	280	0.86		95.0	95.1	1547	7.5	3.0	3.0	65	1180.0	£18,087	P.O.A.	1LG4 318-6AA..
750 rpm, 8-pole, 50Hz, IP55, Insulation F/B																		
0.09	71M	630	0.36	0.36	0.36	0.68		53	53	1.4	2.2	1.9	1.7	36	6.3	£143	£159	1LA7 070-8AB..
0.12		645	0.51	0.51	0.52	0.64		53	53	1.8	2.2	2.2	2	36	6.3	£161	£177	1LA7 073-8AB..
0.18	80M	675	0.73	0.75	0.80	0.68		51	51	2.5	2.3	1.7	1.9	41	7.5	£169	£193	1LA7 080-8AB..
0.25		685	1.01	1.03	1.10	0.64		55	53	3.5	2.6	2	2.2	41	9.4	£171	£196	1LA7 083-8AB..
0.37	90S	675	1.15	1.13	1.18	0.75		63	62	6.2	2.9	1.6	1.8	41	10.5	£200	£223	1LA7 090-8AB..
0.55	90L	675	1.63	1.58	1.60	0.76		66	65	7.8	3	1.7	1.9	41	13.2	£235	£258	1LA7 096-8AB..
0.75	100L	680	2.25	2.15	2.20	0.76		66	65	11	3	1.7	1.9	45	20	£274	£312	1LA7 106-8AB..
1.1		680	3.00	2.90	3.00	0.76		72	72	16	3.3	1.8	2.1	45	22	£300	£338	1LA7 107-8AB..
1.5	112M	705	4.10	3.90	4.20	0.76		74	73	21	3.7	1.8	2.1	49	24	£371	£414	1LA7 113-8AB..
2.2	132S	700	5.90	5.70	6.00	0.74		75	74	30	3.9	1.9	2.3	53	41	£474	£524	1LA7 130-8AB..
3	132M	700	7.90	7.60	7.90	0.74		77	76	40	4.1	2.1	2.4	53	49	£587	£636	1LA7 133-8AB..
4	160M	715	9.9	10.0	10.6	0.72		80	79	54	4.5	2.2	2.6	63	61	£821	£910	1LA7 163-8AB..
5.5		710	13.1	13.0	13.4	0.73		83.5	83	74	4.7	2.3	2.7	63	70	£964	£1,062	1LA7 164-8AB..
7.5	160L	715	17.6	17.6	18.4	0.72		85.5	85	100	5.3	2.7	3	63	91	£1,172	£1,269	1LA7 166-8AB..
11	180L	725	25.5	25	25	0.73		87.5	88.3	145	4.6	1.9	2.1	67	150.0	£1,763	£1,912	1LG4 186-8AB..
15	200L	725	33.5	32.5	32.5	0.76		87.7	88.4	198	4.9	2.2	2.6	57	205.0	£2,273	£2,441	1LG4 207-8AB..
18.5	225S	730	40.5	38.5	37	0.78		89.4	90.4	242	5.5	2.3	2.7	57	270.0	£2,892	£3,070	1LG4 220-8AB..
22	225M	730	46.5	45	42.5	0.79		89.7	90.7	288	5.6	2.3	2.8	61	290.0	£3,417	£3,595	1LG4 223-8AB..
30	250M	730	60	58	58	0.81		91.4	92.2	392	5.5	2.3	2.6	55	385.0	£4,081	£4,333	1LG4 253-8AB..
37	280S	735	76	72	71	0.81		92.0	92.8	481	5.0	2.2	2.1	58	475.0	£5,442	£5,714	1LG4 280-8AB..
45	280M	735	92	87	85	0.81		92.4	93.3	585	5.1	2.2	2.1	58	515.0	£7,204	£7,477	1LG4 283-8AB..
55	315S	740	110	106	106	0.81		93.0	93.4	710	5.8	2.2	2.6	64	680.0	£9,307	£9,819	1LG4 310-8AB..
75	315M	738	146	140	138	0.83		93.3	94.0	971	5.7	2.2	2.6	64	745.0	£10,838	£11,349	1LG4 313-8AB..
90	315L	738	174	168	166	0.83		93.4	94.0	1165	5.8	2.2	2.7	64	865.0	£12,044	P.O.A.	1LG4 316-8AB..
110		738	210	205	200	0.83		94.0	94.4	1423	6.1	2.4	2.8	64	1020.0	£15,397	P.O.A.	1LG4 317-8AB..
132		738	250	245	245	0.83		94.2	94.6	1708	6.5	2.5	2.9	64	1100.0	£17,388	P.O.A.	1LG4 318-8AB..

- Aluminium Frame
- Cast Iron Frame - More frame sizes in Cast Iron are available - ask for details

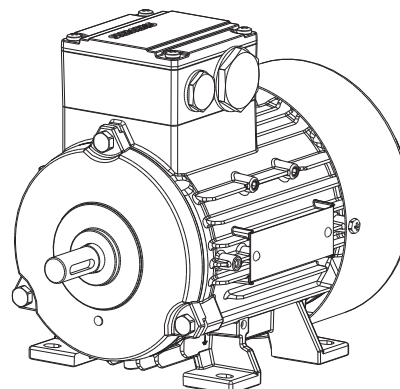
Increased Output Motors available upon request!

To replace the two .., please use the following:

1LXX XXX-XXX□□

Voltage:	
230VD/400VY 50Hz 460VY 60Hz	1
400VD/690VY 50Hz 460VD 60Hz	6

Mounting:	
B3	0
B5	1
B14A	2
B14B	3
V1 (CANOPY)	4
B3/B5	6
B3/B14A	7



Standard voltages

Up to 2.2kW inclusive – 230V Delta / 400V Star ± 10% 3ph 50Hz
– 460V Star ± 10% 3ph 60Hz

From 3kW inclusive – 400V Delta / 690V Star ± 10% 3ph 50Hz
– 460V Delta ± 10% 3ph 60Hz

Insulation class F/B – inverter resistant
Tropical windings
Ambient temperature -30°C to +40°C (-20°C to +40°C for large sizes)
Altitude up to 1000m
Continuous duty cycle - S1

Three-phase TEFC Squirrel Cage High Efficiency Motors



SIEMENS



Output kW	Frame Size	Speed rpm	Rated current			Power factor cosφ	Class	Efficiency		Rated torque Nm	Ratio			Noise Lpa dB(A)	Weight kg	List Price £		Product Code
			380V A	400V A	415V A			100%Load %	75%Load %		Starting current	Starting torque	B/down torque			Foot mounted	Flange or Foot&Flange	
3000 rpm, 2-pole, 50Hz, IP55, Insulation F/B																		
0.09	56M	2830	0.24	0.24	0.24	0.79		68	68	0.3	4.5	2.9	3	41	3.8	£113	£129	1LA9 050-2KA..
0.12		2830	0.32	0.31	0.31	0.81		69	69	0.41	4.3	2.6	2.8	41	3.8	£114	£130	1LA9 053-2KA..
0.18	63M	2840	0.48	0.48	0.49	0.78		70	70	0.61	4.8	2.5	3.1	49	4	£116	£132	1LA9 060-2KA..
0.25		2830	0.63	0.63	0.64	0.82		70	70	0.84	4.9	2.3	2.5	49	4.9	£122	£139	1LA9 063-2KA..
0.37	71M	2840	0.97	0.94	0.97	0.77		74	74	1.2	6.5	3.1	3.1	52	6	£133	£150	1LA9 070-2KA..
0.55		2835	1.44	1.42	1.46	0.75		75	75	1.8	6.3	3	2.9	52	7	£163	£179	1LA9 073-2KA..
0.75	80M	2870	1.70	1.63	1.63	0.84		80	80	2.5	8.3	3.5	3.2	56	9.8	£202	£225	1LA9 080-2KA..
1.1		2860	2.35	2.15	2.20	0.89	eff1	84	84	3.7	7	3.2	3.2	56	12.3	£240	£265	1LA9 083-2KA..
1.5	90S	2890	3.10	2.95	2.90	0.87	eff1	85	85	4.9	7	3.5	3.5	60	15	£274	£297	1LA9 090-2KA..
2.2	90L	2890	4.40	4.25	4.20	0.87	eff1	86.5	86.5	7.3	7	3.5	3.5	60	18.6	£329	£353	1LA9 096-2KA..
3	100L	2890	6.00	5.70	5.50	0.88	eff1	87	87	9.9	7	3.1	3.2	62	25	£396	£434	1LA9 106-2KA..
4	112M	2905	7.90	7.40	7.10	0.89	eff1	88.5	88.5	13	7	2.6	3.2	63	36	£444	£486	1LA9 113-2KA..
5.5	132S	2930	10.30	9.90	9.70	0.9	eff1	89.5	89.5	18	7	2.4	3.2	41	50	£544	£595	1LA9 130-2KA..
7.5		2930	13.9	13.0	12.7	0.92	eff1	90.5	90.5	25	7	2.5	3.1	49	57	£683	£734	1LA9 131-2KA..
11	160M	2945	20.5	19.4	18.9	0.9	eff1	91	91	36	7	2.3	3.1	70	82	£917	£1,005	1LA9 163-2KA..
15		2945	27.5	26.3	25.5	0.9	eff1	91.5	91.5	49	7	2.3	3.1	70	99	£1,174	£1,263	1LA9 164-2KA..
18.5	160L	2940	34.0	31.5	30.5	0.92	eff1	92.3	92.5	60	7	2.3	3.1	70	120	£1,458	£1,547	1LA9 166-2KA..
22	180M	2955	40.5	38.5	38	0.88	eff1	94.1	94.5	71	7.2	2.5	3.4	67	180	£1,669	£1,804	1LG6 183-2AA..
30	200L	2960	54	53	52	0.88	eff1	93.5	93.4	97	7.0	2.4	3.3	71	225	£2,343	£2,494	1LG6 206-2AA..
37		2960	66	64	63	0.89	eff1	94.1	94.0	119	7.2	2.5	3.3	71	255	£2,581	£2,734	1LG6 207-2AA..
45	225M	2965	81	77	74	0.89	eff1	94.9	95.1	145	7.3	2.5	3.2	71	330	£4,460	£4,622	1LG6 223-2AA..
55	250M	2975	97	93	91	0.90	eff1	95.3	95.3	177	6.8	2.4	3.0	71	420	£5,049	£5,276	1LG6 253-2AA..
75	280S	2975	134	128	126	0.89	eff1	95.2	95.2	241	7.0	2.5	3.0	73	530	£6,745	£6,992	1LG6 280-2AB..
90	280M	2978	158	150	148	0.90	eff1	95.6	95.7	289	7.6	2.6	3.1	73	615	£8,133	£8,380	1LG6 283-2AB..
110	315S	2982	192	182	176	0.91		95.8	95.7	352	6.9	2.4	2.8	76	790	£10,293	£10,756	1LG6 310-2AB..
132	315M	2982	230	220	215	0.91		96.0	95.9	423	7.1	2.6	2.9	76	915	£11,610	£12,074	1LG6 313-2AB..
160	315L	2982	275	260	255	0.92		96.4	96.4	512	7.1	2.5	2.9	76	1055	£12,578	P.O.A	1LG6 316-2AB..
200		2982	340	320	310	0.93		96.5	96.5	641	6.9	2.5	2.8	76	1245	£18,653	P.O.A	1LG6 317-2AB..
1500 rpm, 4-pole, 50Hz, IP55, Insulation F/B																		
0.06	56M	1380	0.22	0.20	0.23	0.69		57	61	0.42	3	2.1	2.1	42	3.8	£118	£135	1LA9 050-4KA..
0.09		1390	0.31	0.31	0.32	0.68		62	62	0.62	3.2	2.7	2.8	42	3.8	£120	£136	1LA9 053-4KA..
0.12	63M	1395	0.40	0.41	0.42	0.65		66	66	0.82	3.5	2.6	2.6	42	4	£121	£137	1LA9 060-4KA..
0.18		1340	0.63	0.62	0.62	0.68		62	62	1.3	3.2	2.9	2.5	42	4.9	£122	£139	1LA9 063-4KA..
0.25	71M	1410	0.79	0.81	0.84	0.64		70	70	1.7	4.3	3.2	3	44	6	£137	£153	1LA9 070-4KA..
0.37		1385	1.05	1.03	1.04	0.73		71	71	2.5	4.2	2.8	2.9	44	7	£154	£170	1LA9 073-4KA..
0.55	80M	1410	1.35	1.32	1.32	0.78		77	77	3.7	5.6	2.8	2.9	47	9.8	£198	£221	1LA9 080-4KA..
0.75		1400	1.86	1.80	1.80	0.75		81	81	5.1	5.8	3.6	3.5	47	12.3	£251	£274	1LA9 083-4KA..
1.1	90S	1440	2.55	2.45	2.50	0.77	eff1	84	84	7.3	6.4	2.7	3.2	48	15	£275	£299	1LA9 090-4KA..
1.5	90L	1440	3.35	3.30	3.35	0.77	eff1	85	85	10	6.7	3.1	3.4	48	16.6	£323	£346	1LA9 096-4KA..
2.2	100L	1435	4.70	4.50	4.50	0.82	eff1	86.5	86.5	15	7	3.1	3.6	53	26	£357	£394	1LA9 106-4KA..
3		1435	6.30	6.10	6.20	0.81	eff1	87.5	87.7	20	7	3.5	3.9	53	28	£404	£443	1LA9 107-4KA..
4	112M	1440	8.40	8.10	8.10	0.81	eff1	88.5	89	27	6.9	2.8	3.2	53	38	£470	£513	1LA9 113-4KA..
5.5	132S	1455	11.1	10.6	10.7	0.84	eff1	89.5	89.5	36	7	2.9	3.6	62	53	£604	£653	1LA9 130-4KA..
7.5	132M	1455	15.0	14.2	14.5	0.84	eff1	90.3	90.5	49	7	3	3.6	62	71	£766	£817	1LA9 133-4KA..
11	160M	1460	21.0	20.5	20.0	0.85	eff1	91.5	92	72	6.9	2.7	3.2	66	90	£957	£1,045	1LA9 163-4KA..
15	160L	1460	29.0	27.5	27.0	0.86	eff1	92	92.3	98	7	2.9	3.3	66	114	£1,218	£1,306	1LA9 166-4KA..
18.5	180M	1470	36	34.5	35	0.83	eff1	92.6	93.2	120	6.4	2.5	3.0	60	155	£1,516	£1,650	1LG6 183-4AA..
22	180L	1470	42.5	40.5	41	0.84	eff1	93.2	93.5	143	6.7	2.5	3.1	60	180	£1,781	£1,916	1LG6 186-4AA..
30	200L	1470	56	55	55	0.85	eff1	93.3	93.4	195	6.7	2.6	3.3	62	225	£2,355	£2,508	1LG6 207-4AA..
37	225S	1480	70	67	65	0.85	eff1	94.0	94.4	239	6.8	2.7	3.0	60	290	£3,184	£3,347	1LG6 220-4AA..
45	225M	1480	84	81	77	0.85	eff1	94.5	94.7	290	6.9	2.8	3.0	60	330	£3,871	£4,033	1LG6 223-4AA..
55	250M	1485	99	96	95	0.87	eff1	95.1	95.3	354	7.5	2.6	3.0	65	460	£4,417	£4,645	1LG6 253-4AA..
75	280S	1485	138	130	130	0.87	eff1	95.1	95.2	482	6.8	2.5	2.9	67	575	£5,622	£5,870	1LG6 280-4AA..
90	280M	1486	166	158	156	0.86	eff1	95.4	95.5	578	7.5	2.7	3.1	67	675	£7,488	£7,736	1LG6 283-4AA..
110	315S	1488	200	190	186	0.87		95.9	96.0	706	7.1	2.7	2.9	68	810	£9,240	£9,705	1LG6 310-4AA..
132	315M	1488	235	225	220	0.88		96.1	96.2	847	7.3	2.7	2.9	68	965	£10,447	£10,910	1LG6 313-4AA..
160	315L	1490	285	275	270	0.88		96.3	96.4	1026	7.4	3.0	3.0	68	1105	£12,059	P.O.A	1LG6 316-4AA..
200		1490	355	340	335	0.88		96.4	96.5	1282	7.6	3.2	3.0	68	1305	£16,139	P.O.A	1LG6 317-4AA..

- Aluminium Frame
- Cast Iron Frame

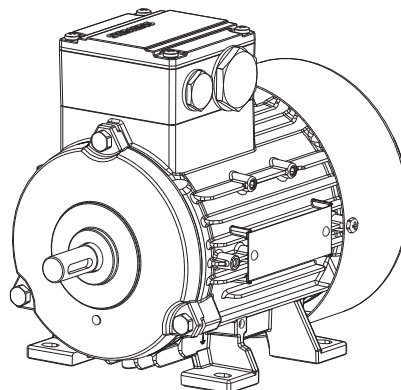
There are SIEMENS 6pole & 8pole eff1 motors available from Rotor (UK). Ask for details and prices !

Qualified for Energy Technology List - for more information, please visit www.eca.gov.uk

Standard voltages

- Up to 2.2kW inclusive – 230V Delta / 400V Star ± 10% 3ph 50Hz
- 460V Star ± 10% 3ph 60Hz
- From 3kW inclusive – 400V Delta / 690V Star ± 10% 3ph 50Hz
- 460V Delta ± 10% 3ph 60Hz

- Insulation class F/B – inverter resistant
- Tropical windings
- Ambient temperature -30°C to +40°C (-20°C to +40°C for large sizes)
- Altitude up to 1000m
- Continuous duty cycle - S1



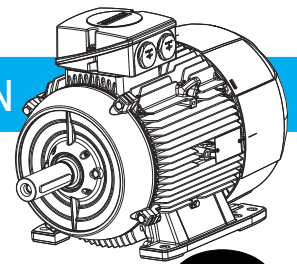
To replace the two .., please use the following:

1LXX XXX-XXX□□

Voltage:	
230VD/400VY 50Hz	1
400VD/690VY 50Hz	6
460VY 60Hz	
460VY 60Hz	

Mounting:	
B3	0
B5	1
B14A	2
B14B	3
V1 (CANOPY)	4
B3/B5	6
B3/B14A	7

Three-phase TEFC Squirrel Cage Motors - NEW GENERATION



SIEMENS

Output kW	Frame Size	Speed rpm	Rated current			Power factor cos	Class	Efficiency		Rated torque Nm	Ratio			Noise Lpa dB(A)	Weight kg	List Price £		EFF 2 Product Code
			380V A	400V A	415V A			100%Load %	75%Load %		Starting current	Starting torque	B/down torque			Foot mounted	Flange or Foot&Flange	
3000 rpm, 2-pole, 50Hz, IP55, Insulation F/B																		
3	100L	2835	6.3	6.0	5.7	0.87	eff2	83.2	84.8	10	6.2	3.2	3.3	72	20	£302	£340	1LE1002-1AA43-4_A4
4	112M	2930	8.3	7.9	7.5	0.86	eff2	84.8	84.4	13	7.3	2.7	3.7	69	25	£380	£422	1LE1002-1BA23-4_A4
5.5	132S	2905	10.9	10.4	10.3	0.89	eff2	86	86.6	18	5.6	2	2.6	68	35	£465	£515	1LE1002-1CA03-4_A4
7.5		2925	14.5	14.0	13.9	0.88	eff2	87.6	87.8	24	6.4	2.2	3	68	40	£585	£635	1LE1002-1CA13-4_A4
11	160M	2920	21.7	21.0	20.7	0.85	eff2	88.4	88.7	36	6.1	2.1	2.7	70	60	£784	£873	1LE1002-1DA23-4_A4
15		2930	29.6	29.0	28.9	0.84	eff2	89.5	89.6	49	6.1	2.5	3.2	70	68	£1,004	£1,093	1LE1002-1DA33-4_A4
18.5	160L	2935	35.0	34.0	33.5	0.86	eff2	90.9	91	60	7	2.5	3.2	70	78	£1,243	£1,332	1LE1002-1DA43-4_A4
1500 rpm, 4-pole, 50Hz, IP55, Insulation F/B																		
2.2	100L	1425	5.0	4.9	4.9	0.81	eff2	81	84	14.8	5.1	2.3	2.7	63	18	£263	£302	1LE1002-1AB42-2_A4
3		1425	6.4	6.2	6.1	0.85	eff2	82.8	83.6	20.2	5.4	2.4	2.6	63	22	£304	£342	1LE1002-1AB53-4_A4
4	112M	1435	8.4	8.2	8.1	0.84	eff2	84.2	85.1	27	5.3	2.2	2.6	58	27	£363	£406	1LE1002-1BB23-4_A4
5.5	132S	1450	11.5	11.2	11.4	0.83	eff2	86	86.5	36	6.2	2.3	2.7	64	38	£473	£523	1LE1002-1CB03-4_A4
7.5		1450	15.2	15.0	15.2	0.83	eff2	87	87.4	49	6.6	2.5	2.9	64	44	£605	£656	1LE1002-1CB23-4_A4
11	160M	1460	22.4	22.0	22.8	0.82	eff2	88.4	88.1	72	6.4	2.3	3.1	64	62	£825	£913	1LE1002-1DB23-4_A4
15		160L	1460	30.0	29.5	30.2	0.82	eff2	89.4	89.7	98	7	2.5	3.4	64	73	£1,047	£1,135
1000 rpm, 6-pole, 50Hz, IP55, Insulation F/B																		
1.5	100L	940	3.8	4.0	4.2	0.77		74	72.6	15.3	4.1	2.1	2.4	61	19	£303	£345	1LE1002-1AC42-2_A4
2.2	112M	930	5.4	5.3	5.5	0.77		78	78.1	23	4.1	2.3	2.5	68	25	£377	£423	1LE1002-1BC22-2_A4
3		132S	955	7.3	7.3	7.7	0.74		80	79.4	30	4.6	2	2.6	63	34	£489	£544
4	132M	950	9.3	9.2	9.4	0.76		83	83.4	40	4.7	2.1	2.5	63	39	£554	£610	1LE1002-1CC23-4_A4
5.5		950	13.7	12.4	12.9	0.75		85	85.3	55	5.2	2.5	2.8	63	48	£700	£754	1LE1002-1CC33-4_A4
7.5	160M	970	17.0	17.2	17.7	0.73		86	85.4	75	5.5	2.1	2.9	68	72	£898	£995	1LE1002-1DC23-4_A4
11		160L	965	23.9	23.5	23.8	0.77		87.6	87.9	110	5.4	2.2	2.8	68	92	£1,205	£1,302
750 rpm, 8-pole, 50Hz, IP55, Insulation F/B																		
0.75	100L	695	2.6	2.7	2.9	0.65		66	60.2	10.4	2.8	1.8	2	66	17	£274	£312	1LE1002-1AD42-2_A4
1.1		695	4.0	3.8	3.6	0.65		70.2	67.6	15.1	2.9	1.5	1.8	66	22	£300	£338	1LE1002-1AD52-2_A4
1.5	112M	675	4.8	4.6	4.3	0.71		69.5	69.7	20	3	1.8	1.9	66	25	£371	£414	1LE1002-1BD22-2_A4
2.2	132S	720	6.2	6.2	6.5	0.65		78.8	76.4	30	3.5	1.5	2.1	53	37	£474	£524	1LE1002-1CD02-2_A4
3		715	8.4	8.5	8.8	0.65		78.5	77.9	40	3.3	1.5	2	53	44	£587	£636	1LE1002-1CD23-4_A4
4	160M	720	10.5	10.4	11.6	0.69		80	78.7	53	3.8	1.7	2.3	68	60	£821	£910	1LE1002-1DD23-4_A4
5.5		720	13.8	13.6	14.6	0.7		83.5	83.9	73	4	1.6	2.2	68	72	£964	£1,062	1LE1002-1DD33-4_A4
7.5	160L	715	18.9	18.6	19.4	0.7		83.5	84.7	100	3.8	1.7	2.2	68	91	£1,172	£1,269	1LE1002-1DD43-4_A4

Output kW	Frame Size	Speed rpm	Rated current			Power factor cos	Class	Efficiency		Rated torque Nm	Ratio			Noise Lpa dB(A)	Weight kg	List Price £		EFF 1 Product Code
			380V A	400V A	415V A			100%Load %	75%Load %		Starting current	Starting torque	B/down torque			Foot mounted	Flange or Foot&Flange	
3000 rpm, 2-pole, 50Hz, IP55, Insulation F/B																		
3	100L	2905	6.1	5.9	6.1	0.84	eff1	86.7	87.5	9.9	7	2.3	3.3	72	21	£396	£434	1LE1001-1AA43-4_A4
4	112M	2950	7.8	7.4	7.6	0.86	eff1	88	88.5	13	7.4	2.4	3.3	69	27	£444	£486	1LE1001-1BA23-4_A4
5.5	132S	2950	10.1	10.2	10.5	0.87	eff1	89.5	90.6	18	6.7	1.8	2.9	68	39	£544	£595	1LE1001-1CA03-4_A4
7.5		2950	14.2	13.8	13.7	0.87	eff1	90	91	24	7.5	2.2	3.1	68	43	£683	£734	1LE1001-1CA13-4_A4
11	160M	2955	20.0	20.0	21.0	0.87	eff1	90.8	91	36	7.4	2.1	3.2	70	67	£917	£1,005	1LE1001-1DA23-4_A4
15		2955	28.0	27.0	27.0	0.88	eff1	91.4	91.5	48	7.6	2.4	3.4	70	75	£1,174	£1,263	1LE1001-1DA33-4_A4
18.5	160L	2955	34.0	33.0	33.0	0.88	eff1	92	92.5	60	7.9	2.9	3.6	70	84	£1,458	£1,547	1LE1001-1DA43-4_A4
1500 rpm, 4-pole, 50Hz, IP55, Insulation F/B																		
2.2	100L	1455	4.7	4.6	4.7	0.81	eff1	86.4	87	14	6.9	2.1	3.3	63	21	£357	£394	1LE1001-1AB42-2_A4
3		1455	6.2	6.0	6.1	0.82	eff1	87.4	88	20	6.9	2	3.1	63	25	£404	£443	1LE1001-1AB53-4_A4
4	112M	1460	8.3	8.1	8.2	0.81	eff1	88.3	88.5	26	7.1	2.5	3.2	58	29	£470	£513	1LE1001-1BB23-4_A4
5.5	132S	1465	11.4	11.2	11.4	0.8	eff1	89.2	89.5	36	6.9	2.3	2.9	64	42	£604	£653	1LE1001-1CB03-4_A4
7.5		1465	14.8	14.4	14.4	0.83	eff1	90.1	91	49	6.9	2.3	2.9	64	49	£766	£817	1LE1001-1CB23-4_A4
11	160M	1470	21.5	20.5	20.5	0.85	eff1	91.2	91.8	71	6.7	2.2	2.8	64	71	£957	£1,045	1LE1001-1DB23-4_A4
15		160L	1475	28.5	27.5	27.5	0.85	eff1	92	92.4	97	7.3	2.5	3	64	83	£1,218	£1,306
1000 rpm, 6-pole, 50Hz, IP55, Insulation F/B																		
1.5	100L	970	3.6	3.5	3.6	0.73		84.5	84.6	15	6.2	2	2.9	61	25	£426	£463	1LE1001-1AC42-2_A4
2.2	112M	965	5.1	5.0	5.0	0.75		85	86.5	22	6	2.1	3.1	68	29	£513	£555	1LE1001-1BC22-2_A4
3		132S	970	7.0	6.9	7.1	0.74		86	85.6	30	5.6	1.6	2.6	63	38	£674	£705
4	132M	970	8.6	8.6	8.9	0.78		86	86.5	39	5.6	1.6	2.5	63	43	£798	£849	1LE1001-1CC23-4_A4
5.5		970	16.1	11.8	11.9	0.77		88	89	54	6.1	1.9	2.8	63	52	£995	£1,045	1LE1001-1CC33-4_A4
7.5	160M	975	16.1	15.8	15.8	0.77		89	89.6	73	6.3	1.8	2.8	68	77	£1,280	£1,369	1LE1001-1DC23-4_A4
11		975	22.5	22.0	21.5	0.8		89.5	90.5	108	6.2	1.7	2.7	68	93	£1,711	£1,800	1LE1001-1DC43-4_A4
750 rpm, 8-pole, 50Hz, IP55, Insulation F/B																		
0.75	100L	725	2.8	2.9	3.0	0.57		67	65	9.9	3.8	1.5	2.6	66	21	£442	£481	1LE1001-1AD42-2_A4
1.1		725	4.0	4.2	4.5	0.57		67	64.5	14	3.8	1.7	2.9	66	25	£560	£610	1LE1001-1AD52-2_A4
1.5	112M	715	4.5	4.5	4.6	0.65		75	75.5	20	3.6	1.4	2	66	29	£666	£725	1LE1001-1BD22-2_A4
2.2	132S	725	6.6	6.5	6.6	0.63		77.5	76.7	29	3.6	1.4	1.8	53	41	£856	£932	1LE1001-1CD02-2_A4
3		720	8.5	8.4	8.6	0.64		81	82	40	3.9	1.6	2.1	53	49	£1,038	£1,132	1LE1001-1CD23-4_A4
4	160M	730	9.8	9.6	9.6	0.69		87	88	52	4.3	1.8	2	68	69	£1,260	£1,373	1LE1001-1DD23-4_A4
5.5		730	13.4	13.2	13.3	0.69		87.5	89	72	4.4	2.1	2.1	68	82	£1,571	£1,711	1LE1001-1DD33-4_A4
7.5	160L	730	17.5	17.0	16.8	0.72		88	89	98	4.5	1.9	2.1	68	94	£1,945	£2,118	1LE1001-1DD43-4_A4

Aluminium Frame

Increased output motors available upon request.

1LE1XXX-XXXX?-?_XX

These types will be gradually introduced throughout 2008/09 to replace the 1LA7/9 motors!

Up to 2.2kW inclusive 230VD/400VY 50Hz,460VY 60Hz.....2-2
From 3kW inclusive

Explosion-proof Three-phase TEFC Squirrel Cage Motors

Exde IIC T4 ATEX

SIEMENS

Output kW	Frame Size	Speed rpm	Rated current 400V A	Power factor cosφ	Efficiency %	Rated torque Nm	Ratio			Moment of inertia kgm ²	Weight kg	List Price £		Product Code
							Starting torque	Starting current	B/down torque			Foot mounted	Flange or Foot&Flange	
3000 rpm, 2-pole, 50Hz, IP55, Insulation F/B														
0.37	71M	2750	0.98	0.81	67	1.3	2.3	4.3	2.3	0.00035	18.8	£523	£568	1MJ6 070-2CA..
0.55		2790	1.38	0.81	71	1.9	2.3	5.3	2.3	0.00045	19.8	£542	£587	1MJ6 073-2CA..
0.75	80M	2840	1.75	0.86	72	2.5	2.4	6.3	2.3	0.00085	24	£565	£613	1MJ6 080-2CA..
1.1		2835	2.45	0.87	74	3.7	2.6	6.3	2.3	0.0011	25.6	£624	£673	1MJ6 083-2CA..
1.5	90L	2850	3.3	0.84	78	5.0	2.5	6.7	2.5	0.0015	32.3	£693	£750	1MJ6 096-2CA..
2.2		2860	4.6	0.86	80	7.4	2.8	7.1	2.8	0.0020	35	£797	£853	1MJ6 097-2CA..
3	100L	2885	6.2	0.85	82	9.9	2.8	7.7	3	0.0038	44.4	£907	£971	1MJ6 106-2CA..
4	112M	2895	7.8	0.88	84	13	2.4	7.6	2.8	0.0055	56.3	£1,104	£1,185	1MJ6 113-2CA..
5.5	132S	2910	11.1	0.86	83	18	2.0	6.3	2.6	0.016	80	£1,298	£1,405	1MJ6 130-2CA..
7.5		2905	14.5	0.89	84	25	2.2	6.9	2.6	0.021	85.5	£1,542	£1,649	1MJ6 131-2CA..
11	160M	2915	21	0.89	85	36	2.0	6.3	2.6	0.034	125	£1,937	£2,079	1MJ6 163-2CA..
15	160M	2925	28	0.89	87	49	2.3	7.2	3.1	0.040	135	£2,285	£2,429	1MJ6 164-2CA..
18.5	160L	2925	33.5	0.89	89	60	2.4	7.7	3.3	0.052	160	£2,581	£2,724	1MJ6 166-2CA..
22	180M	2940	39	0.88	92	71	2.5	6.9	3.2	0.077	175	£3,325	£3,552	1MJ6 183-2CA..
30	200L	2940	53	0.89	92.3	97	2.4	6.5	2.8	0.14	250	£3,842	£4,108	1MJ6 206-2CA..
37		2945	64	0.90	92.8	120	2.4	7.7	2.8	0.16	270	£5,160	£5,425	1MJ6 207-2CA..
45	225M	2955	77	0.9	93.9	145	2.3	6.9	2.7	0.24	335	£7,741	£8,183	1MJ7 223-2CB..
55	250M	2965	94	0.9	93.7	177	2.1	6.9	2.8	0.45	445	£9,185	£9,628	1MJ7 253-2CB..
75	280S	2975	128	0.9	94.7	241	1.9	7	2.7	0.79	600	£11,652	£12,197	1MJ7 280-2CC..
90	280M	2975	150	0.91	95.1	289	2	7	2.7	0.92	640	£13,644	£14,189	1MJ7 283-2CC..
110	315S	2980	186	0.9	94.8	353	1.8	7	2.8	1.3	840	£15,985	£16,707	1MJ7 310-2BC..
132	315M	2980	225	0.9	95.1	423	1.9	7	2.8	1.5	900	£18,508	£19,230	1MJ7 313-2BC..
1500 rpm, 4-pole, 50Hz, IP55, Insulation F/B														
0.25	71M	1325	0.78	0.77	60	1.8	1.8	3.2	1.8	0.0006	19.4	£520	£565	1MJ6 070-4CB..
0.37		1325	0.78	0.77	60	1.8	1.8	3.2	1.8	0.0006	19.4	£537	£582	1MJ6 073-4CB..
0.55	80M	1395	1.42	0.79	71	3.7	2.3	4.7	2.4	0.0015	24	£591	£639	1MJ6 080-4CA..
0.75		1395	1.88	0.79	73	5.1	2.5	5.0	2.6	0.0018	25	£596	£645	1MJ6 083-4CA..
1.1	90L	1410	2.7	0.81	73	7.5	2.1	4.9	2.5	0.0028	32	£631	£688	1MJ6 096-4CA..
1.5		1420	3.5	0.80	77	10	2.2	5.8	2.6	0.0035	35	£677	£734	1MJ6 097-4CA..
2.2	100L	1420	5.1	0.80	78	15	2.2	6.0	2.6	0.0048	44.1	£759	£822	1MJ6 106-4CA..
3		1415	6.6	0.82	80	20	2.7	6.4	3.0	0.0058	46.3	£915	£979	1MJ6 107-4CA..
4	112M	1435	8.5	0.82	83	27	2.8	7.2	3.0	0.011	57.8	£1,058	£1,137	1MJ6 113-4CA..
5.5	132S	1450	11.1	0.83	86	36	2.4	6.9	3.3	0.018	81.5	£1,328	£1,434	1MJ6 130-4CA..
7.5	132M	1450	15	0.84	86	49	2.7	7.7	3.3	0.024	107	£1,557	£1,663	1MJ6 133-4CA..
11	160M	1455	21.5	0.85	87	72	2.4	6.6	2.9	0.04	127	£1,922	£2,064	1MJ6 163-4CA..
15	160L	1465	28.5	0.85	89	98	2.8	7.4	3.2	0.052	148	£2,355	£2,499	1MJ6 166-4CA..
18.5	180M	1460	35	0.84	90.5	121	2.3	7.1	3.0	0.13	175	£2,904	£3,131	1MJ6 183-4CA..
22	180L	1460	41	0.85	91.2	144	2.3	7.5	3.0	0.15	190	£3,506	£3,735	1MJ6 186-4CA..
30	200L	1465	55	0.86	91.8	196	2.6	7.4	3.2	0.24	260	£4,292	£4,556	1MJ6 207-4CA..
37	225S	1475	67	0.86	93	240	2.5	7	3.1	0.44	325	£5,090	£5,431	1MJ7 220-4CA..
45	225M	1475	80	0.87	93.4	292	2.6	7	3.2	0.52	355	£5,903	£6,246	1MJ7 223-4CA..
55	250M	1480	97	0.87	94	355	2.6	6.7	2.5	0.79	465	£7,741	£8,183	1MJ7 253-4CA..
75	280S	1485	132	0.86	94.7	482	2.5	6.7	2.7	1.4	630	£10,181	£10,726	1MJ7 280-4CA..
90	280M	1485	160	0.86	95	579	2.5	6.8	2.8	1.6	680	£12,985	£13,530	1MJ7 283-4CA..
110	315S	1486	194	0.86	94.8	707	2.5	6.7	2.7	2.2	870	£15,144	£15,867	1MJ7 310-4BA..
132	315M	1486	232	0.86	95.5	848	2.7	7.2	3	2.7	950	£17,669	£18,391	1MJ7 313-4BA..

Cast Iron Frame

Standard voltages

Up to 2.2kW inclusive – 230V Delta / 400V Star ± 10% 3ph 50Hz
– 460V Star ± 10% 3ph 60Hz

From 3kW inclusive – 400V Delta / 690V Star ± 10% 3ph 50Hz
– 460V Delta ± 10% 3ph 60Hz

Insulation class F/B – inverter resistant
Tropical windings
Ambient temperature -20°C to +40°C
Altitude up to 1000m
Continuous duty cycle - S1

To replace the two **, please use the following:

1MXX XXX-XXX□□

Voltage:

230VD/400VY 50Hz 460VY 60Hz
400VD/690VY 50Hz 460VD 60Hz

1
6

Mounting:

B3
B5
B14A (71 & 80 only)
V1 (CANOPY)
B3/B5
B3/B14A

0
1
2
4
6
7

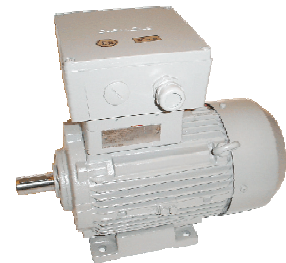
Explosion-proof Three-phase TEFC Squirrel Cage Motors

Exde IIC T4 ATEX

SIEMENS

Output kW	Frame Size	Speed rpm	Rated current 400V A	Power factor cosφ	Efficiency %	Rated torque Nm	Ratio			Moment of inertia kgm ²	Weight kg	List Price £		Product Code
							Starting torque	Starting current	B/down torque			Foot mounted	Flange or Foot&Flange	
1000 rpm, 6-pole, 50Hz, IP55, Insulation F/B														
0.25	71M	870	0.82	0.70	63	2.7	2.2	3.1	2.2	0.0009	16	£543	£588	1MJ6 073-6CA..
0.37	80M	910	1.18	0.71	64	3.9	1.9	3.3	2.0	0.0015	34.6	£596	£645	1MJ6 080-6CA..
0.55		900	1.67	0.74	64	5.8	2.0	3.5	2.1	0.0018	22.5	£637	£685	1MJ6 083-6CA..
0.75	90L	910	2.1	0.76	69	8.0	2.2	3.9	2.3	0.0028	31.8	£708	£765	1MJ6 096-6CA..
1.1		905	2.95	0.75	72	12	2.4	4.3	2.4	0.0035	32	£783	£840	1MJ6 097-6CA..
1.5	100L	930	4.0	0.75	72	15	2.0	4.5	2.1	0.0063	39	£856	£919	1MJ6 106-6CA..
2.2	112M	945	5.5	0.76	76	22	2.2	4.8	2.5	0.011	52.5	£1,181	£1,260	1MJ6 113-6CA..
3	132S	945	7.4	0.75	78	30	2.0	4.8	2.2	0.015	78	£1,356	£1,462	1MJ6 130-6CA..
4	132M	945	9.6	0.76	79	40	2.0	5.0	2.4	0.019	86	£1,542	£1,649	1MJ6 133-6CA..
5.5	132M	950	12.6	0.76	83	55	2.2	5.4	2.5	0.025	110	£1,739	£1,846	1MJ6 134-6CA..
7.5	160M	960	17.5	0.72	86	75	2.1	5.1	2.5	0.041	134	£2,174	£2,316	1MJ6 163-6CA..
11	160L	960	24.5	0.74	87	109	2.3	5.5	2.5	0.049	167	£2,805	£2,947	1MJ6 166-6CA..
15	180L	970	29.5	0.83	89	148	2.6	6.3	2.4	0.20	180	£3,842	£4,071	1MJ6 186-6CA..
18.5	200L	975	36	0.82	90.2	181	2.6	6.3	2.3	0.29	240	£4,572	£4,837	1MJ6 206-6CA..
22		975	42.5	0.83	90.8	215	2.5	5.7	2.3	0.33	255	£6,043	£6,309	1MJ6 207-6CA..
30	225M	978	56	0.84	92	293	2.6	5.7	2.2	0.57	330	£7,207	£7,550	1MJ7 223-6CA..
37	250M	980	69	0.84	92.4	361	2.6	6	2.1	0.89	440	£9,144	£9,586	1MJ7 253-6CA..
45	280S	982	81	0.86	93	438	2.4	6	2.3	1.3	560	£11,064	£11,609	1MJ7 280-6CA..
55	280M	984	99	0.86	93.6	534	2.5	6.2	2.4	1.5	600	£13,868	£14,413	1MJ7 283-6CA..
75	315S	988	136	0.85	93.8	725	2.4	6.2	2.5	2.4	810	£16,827	£17,549	1MJ7 310-6BA..
90	315M	988	162	0.85	94.2	870	2.4	6.2	2.5	2.9	870	£19,631	£20,353	1MJ7 313-6BA..
750 rpm, 8-pole, 50Hz, IP55, Insulation F/B														
0.37	90L	655	1.16	0.76	61	5.3	1.4	2.8	1.7	0.0025	27.5	£742	£797	1MJ6 096-8CB..
0.55		655	1.62	0.76	65	7.9	1.5	2.9	1.7	0.0035	29.5	£821	£877	1MJ6 097-8CB..
0.75	100L	665	2.15	0.77	65	11	1.6	3.5	1.8	0.0053	34.5	£915	£979	1MJ6 106-8CB..
1.1		685	2.9	0.74	74	16	1.8	3.9	2.0	0.0070	48	£1,048	£1,111	1MJ6 107-8CB..
1.5	112M	700	4.0	0.73	74	21	1.8	4.4	2.0	0.013	52	£1,225	£1,304	1MJ6 113-8CB..
2.2	132S	695	6.0	0.72	74	30	1.7	4.2	2.1	0.014	78	£1,487	£1,593	1MJ6 130-8CB..
3	132M	700	7.9	0.72	76	40	1.9	4.4	2.2	0.019	86	£1,768	£1,873	1MJ6 133-8CB..
4	160M	715	9.9	0.72	81	54	2.1	4.8	2.3	0.035	121	£2,146	£2,289	1MJ6 163-8CB..
5.5	160M	710	13.3	0.72	83	74	2.3	5.1	2.5	0.043	134	£2,469	£2,612	1MJ6 164-8CB..
7.5	160L	715	17.9	0.72	84	100	2.6	5.8	2.8	0.062	159	£2,945	£3,088	1MJ6 166-8CB..
11	180L	725	26	0.70	87	145	2.0	5.0	2.2	0.21	185	£3,982	£4,211	1MJ6 186-8CB..
15	200L	725	32	0.78	87.5	198	2.1	5.0	2.2	0.37	265	£5,020	£5,285	1MJ6 207-8CB..
18.5	225S	725	37.5	0.8	88.6	244	2.1	5	2.2	0.58	325	£5,903	£6,246	1MJ7 220-8CB..
22	225M	725	43.5	0.81	90.1	290	2.1	5	2.2	0.66	350	£7,221	£7,564	1MJ7 223-8CB..
30	250M	730	58	0.81	91.6	392	2.1	5	2.1	1.1	465	£9,297	£9,741	1MJ7 253-8CB..
37	280S	732	70	0.82	92.7	483	2.2	5.5	2.2	1.4	570	£11,359	£11,904	1MJ7 280-8CB..
45	280M	734	84	0.83	92.8	585	2.2	5.5	2.2	1.6	620	£14,008	£14,553	1MJ7 283-8CB..
55	315S	738	104	0.82	93.1	712	2.2	6	2.4	2.3	780	£16,967	£17,689	1MJ7 310-8BB..
75	315M	738	140	0.82	93.6	970	2.3	6.2	2.5	3	890	£20,613	£21,335	1MJ7 313-8BB..

Cast Iron Frame



To replace the two **, please use the following:

1MXX XXX-XXX□□

Voltage:

230VD/400VY 50Hz 460VY 60Hz
400VD/690VY 50Hz 460VD 60Hz

1
6

Mounting:

B3
B5
B14A (71 & 80 only)
V1 (CANOPY)
B3/B5
B3/B14A

0
1
2
4
6
7

Standard voltages

Up to 2.2kW inclusive – 230V Delta / 400V Star ± 10% 3ph 50Hz
– 460V Star ± 10% 3ph 60Hz

From 3kW inclusive – 400V Delta / 690V Star ± 10% 3ph 50Hz
– 460V Delta ± 10% 3ph 60Hz

Insulation class F/B – inverter resistant
Tropical windings
Ambient temperature -20°C to +40°C
Altitude up to 1000m
Continuous duty cycle - S1

Explosion-proof Three-phase TEFC Squirrel Cage Motors: AOM, AVM, AKM

71-132 frame: Exd IIC T4 ATEX
 160-200 frame: Exd IIB+H₂ T4 ATEX



Certified for Gas Group "B" and for Hydrogen. (Hydrogen is listed in Gas Group "C")

Both motor & terminal box are in "d" (pressure tight) enclosure

Type	Output kW	Frame Size	Speed rpm	Rated current			Power factor cosφ	Efficiency %	Rated torque Nm	Ratio			Moment of inertia kgm ²	Weight kg	for DOL Operation		for Inverter Control	
				380V A	400V A	415V A				Starting torque	Starting current	B/down torque			List Price £ Foot mounted	List Price £ Flange or Foot&Flange	List Price £ Foot mounted	List Price £ Flange or Foot&Flange
3000 rpm, 2-pole, 400V 50Hz, IP55, Insulation F/B																		
A.M 071MK02	0.37	71M	2800	0.95	0.9	0.9	0.83	72	1.26	4.7	2.2	2.1	0.0004	14	£821	£895	£1,174	£1,279
A.M 071M02	0.55	71M	2800	1.3	1.3	1.3	0.85	73	1.9	5	2.4	2.3	0.0005	15	£830	£905	£1,187	£1,294
A.M 080MK02	0.75	80M	2850	1.8	1.7	1.7	0.85	75	2.5	5.3	2	2.6	0.0010	19	£919	£1,002	£1,314	£1,433
A.M 080M02	1.1	80M	2825	2.5	2.3	2.3	0.87	78	3.72	5.3	2.1	2.6	0.0012	20	£941	£1,025	£1,345	£1,466
A.M 090LK02	1.5	90L	2870	3.3	3.2	3.1	0.87	79	5	6.1	2.2	2.7	0.0021	27	£1,024	£1,116	£1,464	£1,596
A.M 090L02	2.2	90L	2865	4.7	4.5	4.4	0.88	81	7.3	6	2.5	2.7	0.0026	29	£1,079	£1,176	£1,543	£1,682
A.M 100L02	3	100L	2850	6.2	5.9	5.7	0.9	81	10.1	6.7	3	3.2	0.0043	38	£1,297	£1,414	£1,855	£2,022
A.M 112M02	4	112M	2870	8.5	8	7.7	0.87	82.5	13.3	6.8	2	2.5	0.007	55	£1,644	£1,792	£2,154	£2,348
A.M 132SK02	5.5	132S	2890	11.5	11	10.6	0.87	83	18.2	5.8	1.8	2.4	0.012	76	£1,868	£2,036	£2,447	£2,667
A.M 132S02	7.5	132S	2900	15.5	14.5	14	0.87	85	24.7	6	2	2.5	0.015	81	£1,952	£2,127	£2,557	£2,787
A.M 160MK02	11	160M	2915	22.5	21	20.5	0.87	86.4	36	5	2	2.1	0.032	115	£2,419	£2,636	£3,168	£3,454
A.M 160M02	15	160M	2920	29.5	28	27	0.88	88.2	49.1	5.6	2.1	2.2	0.043	130	£2,535	£2,763	£3,320	£3,619
A.M 160L02	18.5	160L	2920	36	34	33	0.88	89.4	60.5	6.3	2.5	2.5	0.052	150	£2,758	£3,006	£3,613	£3,938
A.M 180M02	22	180M	2930	42.5	40	38.5	0.88	90	71.7	7.2	2.5	3	0.086	180	£3,587	£3,910	£4,520	£4,927
A.M 200LK02	30	200L	2950	56	53	51	0.89	91.7	97.1	6.6	2.4	2.5	0.140	260	£4,756	£5,184	£5,993	£6,532
A.M 200L02	37	200L	2950	68	64	62	0.9	92.2	120	6.9	2.5	2.5	0.172	280	£4,968	£5,415	£6,259	£6,823
1500 rpm, 4-pole, 400V 50Hz, IP55, Insulation F/B																		
A.M 071MK04	0.25	71M	1360	0.81	0.75	0.7	0.73	64	1.76	3.4	1.9	1.9	0.0006	13	£793	£864	£1,134	£1,236
A.M 071M04	0.37	71M	1360	1.1	1.05	1	0.77	65	2.6	3.1	1.8	1.7	0.0008	15	£802	£875	£1,147	£1,251
A.M 080MK04	0.55	80M	1390	1.5	1.45	1.4	0.77	72	3.8	4.2	1.8	1.9	0.0013	19	£888	£968	£1,270	£1,385
A.M 080M04	0.75	80M	1380	2	1.9	1.9	0.79	72	5.2	3.9	1.6	1.9	0.0016	20	£910	£992	£1,301	£1,418
A.M 090LK04	1.1	90L	1410	2.8	2.7	2.6	0.8	73	7.4	4.6	2	2.4	0.0035	27	£990	£1,079	£1,415	£1,543
A.M 090L04	1.5	90L	1410	3.6	3.4	3.3	0.82	77	10.2	4.8	2.3	2.3	0.0044	28	£1,042	£1,136	£1,490	£1,624
A.M 100LK04	2.2	100L	1440	5.1	4.8	4.7	0.82	80	14.6	6.2	2.4	2.6	0.0088	39	£1,183	£1,290	£1,692	£1,845
A.M 100L04	3	100L	1435	6.7	6.5	6.3	0.82	81	20	5.9	2.2	2.6	0.0109	41	£1,316	£1,434	£1,881	£2,051
A.M 112M04	4	112M	1430	9	8.5	8.2	0.83	82	26.7	6.5	2.5	2.9	0.016	59	£1,589	£1,732	£2,082	£2,269
A.M 132S04	5.5	132S	1455	12	11.5	11.1	0.82	85	36.1	6.8	2.2	3	0.029	80	£1,891	£2,061	£2,477	£2,700
A.M 132M04	7.5	132M	1455	16	15.5	15	0.83	85.5	49.2	6.8	2.2	3	0.037	91	£2,033	£2,216	£2,663	£2,903
A.M 160M04	11	160M	1455	23	21.5	21	0.83	87.7	72.2	5.9	2.5	2.5	0.078	120	£2,456	£2,677	£3,218	£3,507
A.M 160L04	15	160L	1460	31	29.5	28.5	0.83	88.6	98.1	6.5	2.9	2.8	0.108	145	£2,674	£2,914	£3,503	£3,818
A.M 180M04	18.5	180M	1465	36.5	34.5	33.5	0.85	90.5	121	6.4	2.3	2.9	0.145	180	£3,524	£3,841	£4,440	£4,839
A.M 180L04	22	180L	1460	43.5	41.5	40	0.84	91	144	7.3	2.3	2.9	0.164	190	£3,695	£4,027	£4,655	£5,074
A.M 200LK04	30	200L	1465	56	53	51	0.89	91.2	196	6.9	2.7	2.8	0.343	275	£4,979	£5,427	£6,274	£6,839
1000 rpm, 6-pole, 400V 50Hz, IP55, Insulation F/B																		
A.M 080MK06	0.37	80M	910	1.15	1.1	1.1	0.73	65.5	3.9	3.3	1.8	1.9	0.0018	19	£910	£992	£1,301	£1,418
A.M 080M06	0.55	80M	910	1.7	1.6	1.6	0.75	66	5.8	3.4	2	2	0.0025	20	£931	£1,015	£1,332	£1,452
A.M 090LK06	0.75	90L	940	2.2	2.1	2.1	0.73	72	7.6	3.9	1.9	2	0.0042	26	£1,014	£1,106	£1,451	£1,581
A.M 090L06	1.1	90L	935	3.1	2.9	2.8	0.75	74	11.2	4.1	2	2.2	0.0063	29	£1,067	£1,163	£1,525	£1,663
A.M 100L06	1.5	100L	940	4	3.9	3.8	0.73	76	15.2	4.9	2.2	2.3	0.0098	37	£1,276	£1,391	£1,824	£1,988
A.M 112M06	2.2	112M	945	5.7	5.4	5.2	0.76	77	22.2	5	2.3	2.3	0.020	53	£1,627	£1,773	£2,131	£2,323
A.M 132S06	3	132S	970	7.8	7.3	7.1	0.72	82	29.5	6.3	2.2	2.9	0.035	77	£1,885	£2,055	£2,469	£2,692
A.M 132MK06	4	132M	975	9.5	9.2	8.9	0.74	85	39.2	7	2.5	3	0.045	88	£2,018	£2,200	£2,644	£2,882
A.M 132M06	5.5	132M	970	13	12.5	12.1	0.76	84.5	54.1	6.5	2.5	2.9	0.055	96	£2,079	£2,266	£2,724	£2,969
A.M 160M06	7.5	160M	965	17	16	15.5	0.78	85.8	74.2	5.1	2.3	2.4	0.103	120	£2,509	£2,734	£3,286	£3,582
A.M 160L06	11	160L	960	24	23	22.2	0.79	87	109	5	2.5	2.4	0.137	145	£2,735	£2,981	£3,582	£3,905
A.M 180L06	15	180L	970	31.5	30	29	0.82	88.5	148	6	2.2	2.5	0.251	180	£3,669	£3,999	£4,622	£5,038
A.M 200LK06	18.5	200L	975	38.5	37	36	0.81	89.7	181	5.9	2.5	2.4	0.391	250	£4,736	£5,162	£5,967	£6,504
A.M 200L06	22	200L	975	46	43.5	42	0.81	90	215	6	2.6	2.2	0.474	260	£4,959	£5,405	£6,248	£6,811
750 rpm, 8-pole, 400V 50Hz, IP55, Insulation F/B																		
A.M 090LK08	0.55	90L	700	2	1.95	1.9	0.63	65	7.5	3.3	2	2.2	0.0063	29	£1,021	£1,112	£1,459	£1,591
A.M 090L08	0.75	90L	695	2.7	2.6	2.5	0.62	67	10.3	3.3	2	2.2	0.0063	30	£1,073	£1,169	£1,534	£1,672
A.M 100L08	1.1	100L	690	3.2	3.1	3	0.71	72	15.2	3.6	1.8	2.1	0.0098	37	£1,356	£1,478	£1,939	£2,113
A.M 112M08	1.5	112M	700	4.5	4.2	4.1	0.69	74	20.5	4.5	2.1	2.3	0.020	55	£1,636	£1,783	£2,143	£2,335
A.M 132S08	2.2	132S	725	6	5.7	5.5	0.69	81	29	5.5	2	2.6	0.035	76	£1,943	£2,118	£2,545	£2,774
A.M 132M08	3	132M	725	7.7	7.3	7.1	0.71	83	39.5	5.5	2.1	2.6	0.045	87	£2,091	£2,279	£2,739	£2,986
A.M 160MK08	4	160M	725	9.5	9	8.7	0.76	84.3	52.7	5.1	1.8	2.5	0.082	110	£2,456	£2,677	£3,218	£3,507
A.M 160M08	5.5	160M	725	13	12.5	12.1	0.76	83.8	72.4	5.2	1.9	2.6	0.103	115	£2,523	£2,750	£3,305	£3,603
A.M 160L08	7.5	160L	725	17.5	16.5	16	0.76	85	98.8	5.5	2.1	2.7	0.137	140	£2,746	£2,993	£3,598	£3,921
A.M 180L08	11	180L	725	27	25.5	24.5	0.71	88.3	144	4.5	1.7	2.2	0.251	180	£3,718	£4,052	£4,684	£5,106
A.M 200LK08	15	200L	730	33	31	30	0.78	88.5	196	5.2	2.3	2	0.416	245	£4,855	£5,292	£6,117	£6,667

Cast Iron Frame

Manufactured and Certified in the European Union (Czech Republic)

AOM - foot mounted
 AVM - flange mounted
 AKM - foot & flange mounted

Surcharges:

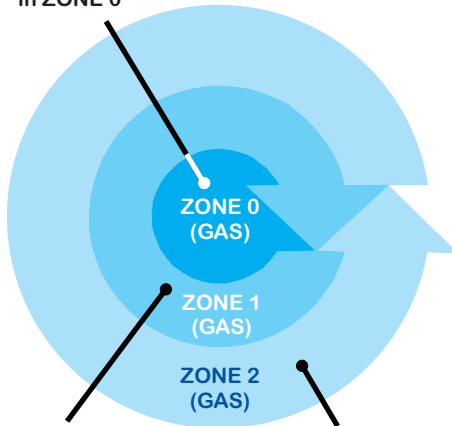
V1+canopy	6%
6 pin terminal block for Star/Delta Starting (112	

ATEX Categories Explanation

Electric Motors for **GAS** Explosive Atmospheres

To ATEX 94/9/EC & 1999/92/EC Directives

No motors can be installed in ZONE 0



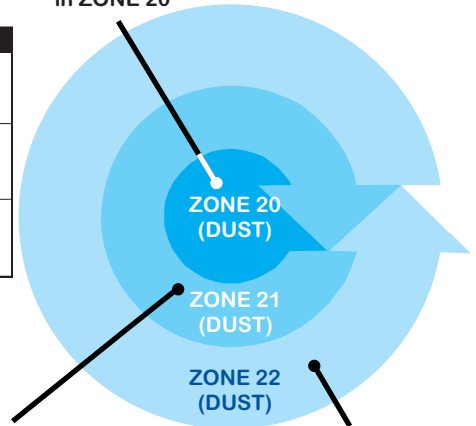
GAS		DUST	
Zone 0	Explosive Gases present continuously	Zone 20	Explosive Dust Atmosphere present continuously
Zone 1	Explosive Gases likely to occur in normal service	Zone 21	Explosive Dust Atmosphere likely to occur in normal service
Zone 2	Explosive Gases unlikely to occur and would be infrequent and short term	Zone 22	Explosive Dust Atmosphere unlikely to occur and would be infrequent and short term

G - gas symbol		D - dust symbol	
Zone 0	Category 1G	Zone 20	Category 1D
Zone 1	Category 2G	Zone 21	Category 2D
Zone 2	Category 3G	Zone 22	Category 3D

Ⓒ...Ⓔ II 2G Ex-d, Ex-d(e)
 Ⓒ...Ⓔ II 2G Ex-e
 Ⓒ...Ⓔ II 2G Ex-d, EEx-d(e)
 Ⓒ...Ⓔ II 2G Ex-e
 Ⓒ...Ⓔ II 3G Ex-nA

Electric Motors for **DUST** Explosive Atmospheres

No motors can be installed in ZONE 20



Ⓒ...Ⓔ II 2D IP65
 Ⓒ...Ⓔ II 3D IP55 (non-conductive dust)
 Ⓒ...Ⓔ II 2D IP65 (conductive dust)

CE 123 **Ex** II 2G Ex de II C T1 to T4

- CE Marking**
- Notified Body (Testing Authority) Identification number**
- Specific marking of explosive protection**
- G - Gas symbol**
Zone 0 - Category 1G
Zone 1 - Category 2G
Zone 2 - Category 3G
- Ex - Explosion protection**
d - Flameproof to EN 50018
e - Increased safety to EN 50019
nA - Non-sparking to EN 50021
de - Flameproof motor with Increased safety Terminal box EN 50018&19
- Gas Group**
II General
IIA Propane, etc
IIB Ethylene, etc
IIC Hydrogen, etc
- Temp Class**
T1 450°C
T2 300°C
T3 200°C
T4 135°C
T5 100°C
T6 85°C
- Equipment Group:** I-Mining Application, II-Non-mining Application

CE 123 **Ex** II 2D T125°C

- CE Marking**
- Notified Body (Testing Authority) Identification number**
- Specific marking of explosive protection**
- D - Dust symbol**
Zone 20 - Category 1D
Zone 21 - Category 2D
Zone 22 - Category 3D
- Max Surface Temp**
T = 125°C
T = 100°C
- Equipment Group:** I-Mining Application, II-Non-mining Application

ATEX Motors - Scope of Delivery:

For more information and prices, please contact the Sales at Rotor (UK)

ATEX - Gas:

- rotor nl® AOM series - **ATEX, EX II 2G Exd IIC T4** -Zone 1- Category 2G (pressure tight enclosure, motor & terminal box) 71-132 frame
- rotor nl® AOM series - **ATEX, EX II 2G Exd IIB+H₂T4** -Zone 1- Category 2G (pressure tight enclosure, motor & terminal box) 160-200 frame
- rotor nl® 4RD series - **ATEX, EX II 2G Exde IIC T4** -Zone 1- Category 2G (pressure tight motor & increased safety terminal box)
- SIEMENS 1MJ series - **ATEX, EX II 2G Exde IIC T4** -Zone 1- Category 2G (pressure tight motor & increased safety terminal box)
- rotor nl® 5RE series - **ATEX, EX II 2G Ex-e-II-T3** -Zone 1- Category 2G (increased safety)
- rotor nl® 5RN series - **ATEX, EX II 3G Ex-nA-II-T3** -Zone 2- Category 3G (non sparking)

ATEX - Dust:

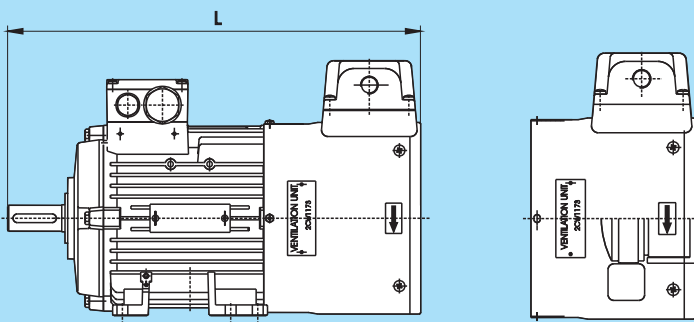
- rotor nl® 5RN series - **ATEX, EX II 2D T125°C** -Zone 21- Category 2D
- rotor nl® 5RN series - **ATEX, EX II 3D T125°C** -Zone 22- Category 3D

Force Ventilation Units - Assembly Kit for Three-phase Motors

Recommended if motors are used for frequency inverter applications.

Protection IP54

SIZE	Fan Type	Voltage	Frequency	Fan Output	Current	Speed	Weight	LIST PRICE
VU63	4655	Single-phase 230V	50/60Hz	19W/18W	0.12A/0.11A	2650rpm/3050rpm	1.21kg	£247
VU71	4655	Single-phase 230V	50/60Hz	19W/18W	0.12A/0.11A	2650rpm/3050rpm	1.47kg	£247
VU80	A2S 130	Single-phase 230V	50/60Hz	46W/42W	0.32A/0.25A	2750rpm/3150rpm	1.95kg	£309
VU90	A2E 170	Single-phase 230V	50/60Hz	50W/62W	0.22A/0.27A	2650rpm/3050rpm	2.76kg	£316
VU100	A2D 185	3ph 200-290VDELTA/346-500VSTAR	50Hz	62W	0.24A/0.14A	2740rpm	3.62kg	£322
		3ph 200-290VDELTA/346-500VSTAR	60Hz	52W	0.16A/0.09A	3120rpm		
VU112	A2D 210	3ph 200-290VDELTA/346-500VSTAR	50Hz	97W	0.43A/0.25A	2800rpm	3.94kg	£352
		3ph 200-290VDELTA/346-500VSTAR	60Hz	98W	0.29A/0.17A	3220rpm		
VU132	A2D 250	3ph 200-290VDELTA/346-500VSTAR	50Hz	164W	0.59A/0.34A	2740rpm	4.60kg	£383
		3ph 200-290VDELTA/346-500VSTAR	60Hz	212W	0.52A/0.30A	3060rpm		
VU160	A2D 300	3ph 200-290VDELTA/346-500VSTAR	50Hz	269W	0.95A/0.55A	2740rpm	6.24kg	£431
		3ph 200-290VDELTA/346-500VSTAR	60Hz	354W	0.84A/0.48A	3080rpm		



These dimensions are for rotor nI® motors and Siemens 1LA7 Motors. Contact Rotor for dimensions on Siemens 1LE1 Motors.

Frame	63	71	80	90S	90L	100L	112M	132S	132M	160M	160L
"L"	234.5	268.5	314.5	381.5	381.5	456	480	560	560	711	711

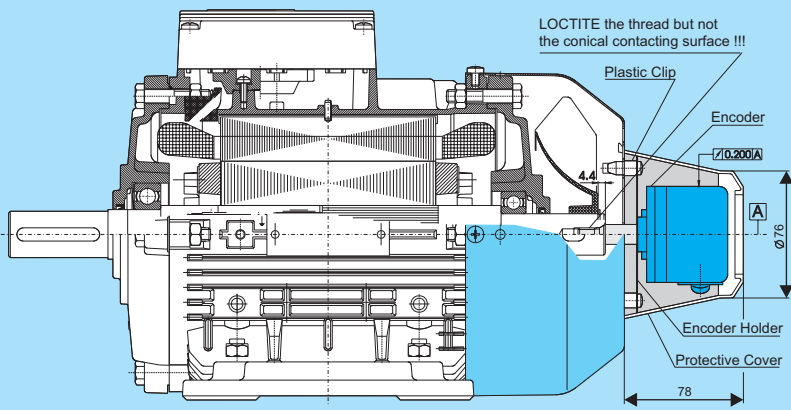
VU... Consist of a special fan cover fitted with a motorised fan and a terminal box. The fan is designed to deliver the same (or more) cooling air that is normally delivered by the motors' own fan at the rated speed.

UNITS FOR LARGER FRAME SIZES AVAILABLE! ASK FOR DETAILS!

Assembly instructions:

Remove motor's fan cover and fan, cut the NDE shaft end and fit the VU unit to the back of the motor.

1XP8 - Pulse Encoder - Assembly Kit for Three-phase Motors



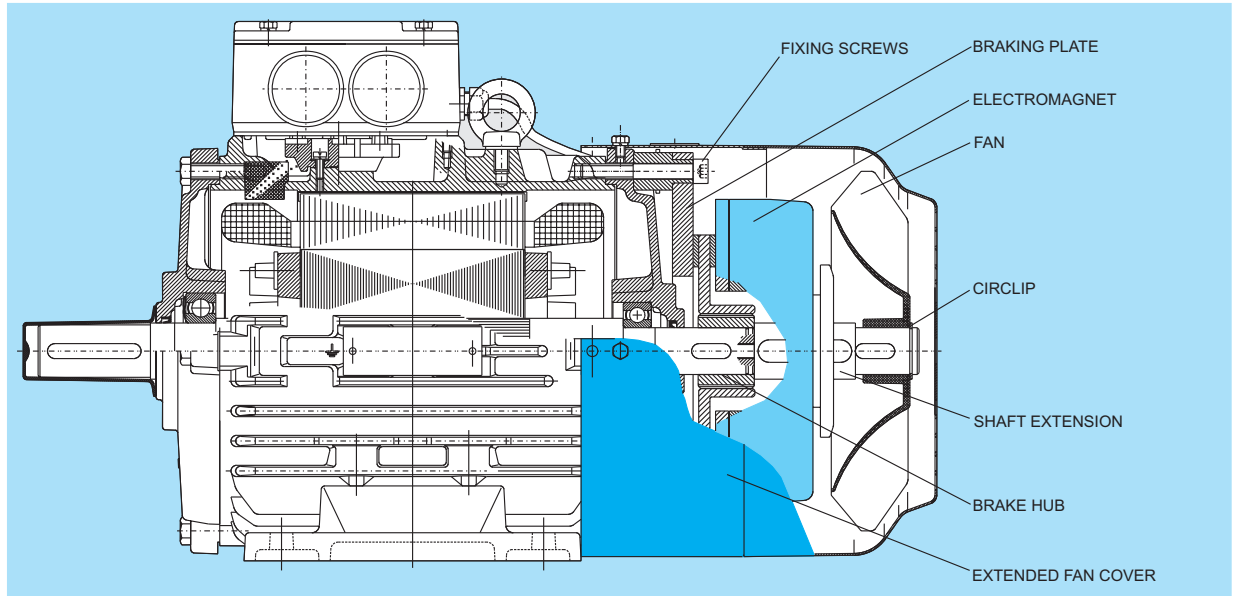
ENCODER TYPE: 1XP8 001

The pulse generator can be supplied fitted as an **HTL** version (**1XP8 001-1**) or as **TTL** version (**1XP8 001-2**).

It can also be supplied loose as an Assembly Kit. A provision for its fitting (drilled and tapped NDE shaft) has been made as standard on all 1LA motor frame sizes 100L to 315L listed in this catalogue.

ENCODER	Supply voltage UB	Current input at no load	Maximum load current per output	Pulses per revolution	Outputs	Pulse offset between the two outputs	Output amplitude	Minimum edge interval
1XP8 001-1 (HTL version)	+10 V to +30 V	200 mA	max. 100 mA	1024	2 square-wave pulses A,B -2 inverted square-wave pulses A,B. Zero pulse and inverted zero pulse.	90° +/- 20 %	U _{High} > UB-3.5V	U _{Low} < 3V
1XP8 001-2 (TTL version)	5 V +/-10 %	150 mA	max. 100 mA	1024		90° +/- 20 %	U _{High} ≥ 2.5V	U _{Low} ≤ 0.5V

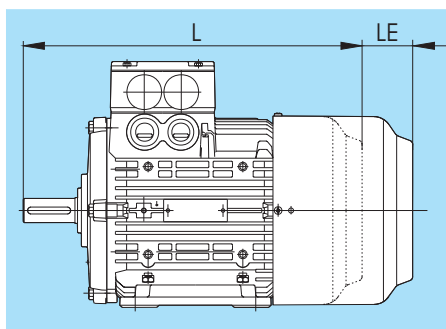
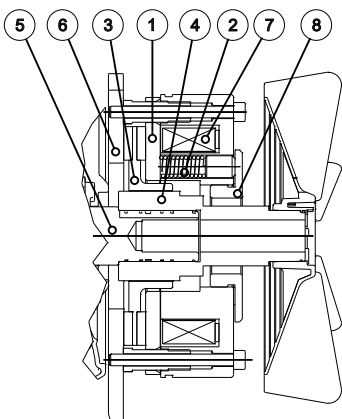
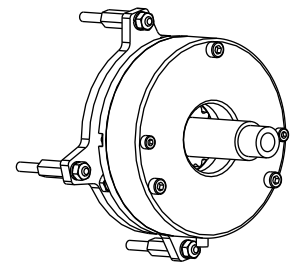
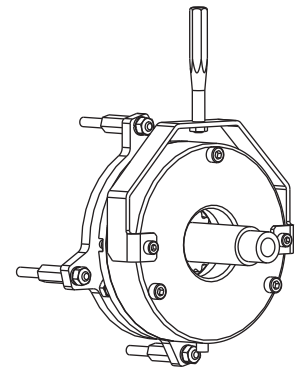
ENCODER	Edge steepness (without load or cable)	Maximum frequency	Maximum speed	Temperature range	Degree of protection	Maximum radial cantilever force	Maximum axial force	Termination system (socket supplied)	LIST PRICE
1XP8 001-1 (HTL version)	t ₊ , t ₋ ≤ 200 ns	160 kHz	9000 rpm	-20°C to +100°C	IP66	60 N	40 N	12-way plug	frames 100-200: P.O.A. frames 225-280: P.O.A.
1XP8 001-2 (TTL version)	t ₊ , t ₋ ≤ 100 ns	300 kHz	12000 rpm	-20°C to +100°C	IP66	60 N	40 N	12-way plug	frames 100-200: P.O.A.



Any 71-132 (160) frame off-the-shelf rotor nI® and Siemens electric motor can be retrofitted with a brake supplied as an assembly kit, which can be with or without a hand release.

Brake Kit (IP55)	Motor size	Brake Torque	Current (at 20°C)	Input	Speed max	Moment of Inertia [kgm ²]	Weight	LIST PRICE			
								rotor nI® Motors 1LA7 Motors		1LE1 Motors	
								no Hand Release	with Hand Release	no Hand Release	with Hand Release
EBM 0.5	71	5Nm	0.11A	22W	3000	2.8x10 ⁻⁵	1.28 kg	£190	£201	--	--
EBM 1	80	10Nm	0.15A	31W	3000	8.6x10 ⁻⁵	2.35 kg	£208	£222	--	--
EBM 2	90	20Nm	0.15A	31W	3000	36.1x10 ⁻⁵	4.2 kg	£283	£301	--	--
EBM 4	100	40Nm	0.24A	49W	3000	81.7x10 ⁻⁵	6.7 kg	£387	£408	£387	£408
EBM 6.3	112	63Nm	0.30A	61W	3000	105x10 ⁻⁵	9.8 kg	£476	£499	£476	£499
EBM 10	132	100Nm	0.31A	63W	3000	274x10 ⁻⁵	14.3 kg	£631	£658	£631	£658
EBM 25	160	250Nm	0.41A	84W	1500	1060x10 ⁻⁵	29.5 kg	£1,036	£1,066	£1,036	£1,066

Not suitable for 2pole motors.
Factory built brake recommended.



Extra Length - 1LA7 Motors							
Frame	71	80	90	100	112	132	160
LE	51	54	75	78	87	106	129

Extra Length - 1LE1 Motors							
Frame	71	80	90	100	112	132	160
LE	-	-	-	81	88	114	130

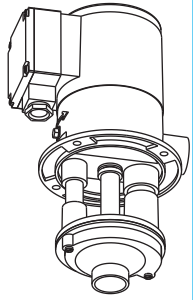
The Brakes are single disc brakes with 2 friction surfaces. The brake torque is achieved by springs. The disengagement is electromechanical. The **Rotating Disc (3)** is shifted on the **Toothed Hub (4)** mounted on the **Shaft (5)** and pressed against the friction surface of the steel **Braking Plate (6)** during braking. The movement is actioned by **Push Springs (2)** through the **Stationary Disc (1)** and the **Electromagnet (7)**. To disengage the brake a DC voltage must be supplied to the **Electromagnet (7)**. The electromagnetic force then pulls the **Stationary Disc (1)** towards the **Electromagnet (7)** enabling the **Rotating Disc (3)** free rotation.

RECTIFIERS - Suitable rectifiers are delivered as a part of the brake kit. The input voltage is **230V±10% 50/60Hz (or 400V±10% 50/60Hz upon request)**, which must be connected to the 2 terminals designated (∞). The Electromagnet leads must be connected to **(+), (-)**. The polarity is not essential.

FACTORY BUILT BRAKE MOTORS ARE AVAILABLE IN ALL FRAME SIZES !

Factory built 230VAC rectified DC brake motors available with options of 24V DC input, hand release, combined with force ventilation unit and/or encoder.

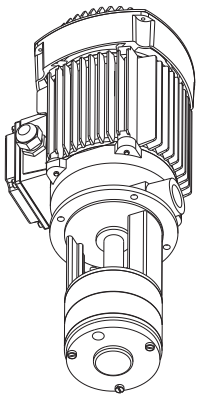
Coolant Pumps COA (3ph & 1ph) and COV (3ph High Pressure)



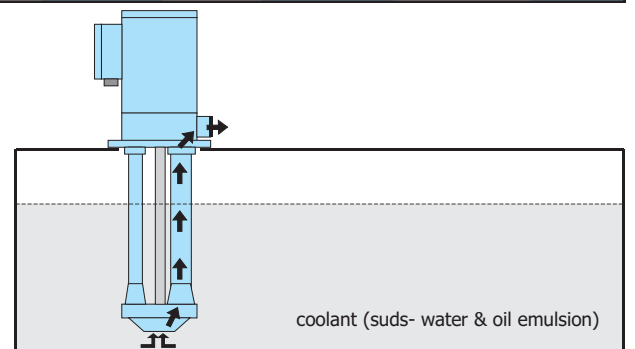
COA

	TYPE	HEAD metres	PRESSURE kPa	FLOW		POWER W	CURRENT Amps	SPEED rpm	CAPACITOR μ F/V	IMMERSION mm	LIST PRICE								
				litres/sec	litres/min														
THREE-PHASE	3COA 1-09	2	20	0.27	16	60	0.23	2800	---	90	£122								
	3COA 1-10									100	£122								
	3COA 1-12									120	£123								
	3COA 1-14									140	£123								
	3COA 1-17									170	£125								
	3COA 1-22									220	£127								
	3COA 1-27									270	£128								
	3COA 2-09	4	40	0.42	25	90	0.24	2800	---	90	£134								
	3COA 2-10									100	£134								
	3COA 2-12									120	£135								
	3COA 2-14									140	£136								
	3COA 2-17									170	£139								
	3COA 2-22									220	£143								
	3COA 2-27									270	£153								
	3COA 4-10	4	40	0.67	40	120	0.29	2800	---	100	£163								
	3COA 4-12									120	£164								
	3COA 4-17									170	£171								
	3COA 4-22									220	£180								
	3COA 4-27									270	£184								
	3COA 6-12									4	40	1.05	63	155	0.38	2800	---	120	£207
	3COA 6-17																	170	£208
	3COA 6-22	220	£212																
	3COA 6-27	270	£219																
	3COA 10-17	4	40	1.67	100	360	0.85	2800	---	170	£325								
	3COA 10-27									270	£337								
	3COA 10-35									350	£347								
	3COA 14-17	4	40	2.33	140	410	0.67	2800	---	170	£354								
	3COA 14-27									270	£356								
	3COA 14-35									350	£363								
	3COA 16-18	4	40	2.67	160	495	0.95	2800	---	180	£416								
	3COA 16-28									280	£431								
	3COA 16-36									360	£450								
	4COA 25-18	4	40	4.17	250	800	1.40	2800	---	180	£513								
	SINGLE-PHASE	9COA 1-09	2	20	0.27	16	60	0.55	2800	6/400	90	£122							
		9COA 1-10									100	£122							
		9COA 1-12									120	£123							
9COA 1-14		140									£123								
9COA 1-17		170									£125								
9COA 1-22		220									£127								
9COA 1-27		270									£128								
9COA 2-09		4	40	0.42	25	90	0.61	2800	6/400	90	£134								
9COA 2-10										100	£134								
9COA 2-12										120	£135								
9COA 2-14										140	£136								
9COA 2-17										170	£139								
9COA 2-22										220	£143								
9COA 2-27										270	£153								
9COA 4-10		4	40	0.67	40	120	0.78	2800	6/400	100	£163								
9COA 4-12										120	£164								
9COA 4-17										170	£171								
9COA 4-22										220	£180								
9COA 4-27										270	£184								
9COA 6-12										4	40	1.05	63	155	1.04	2800	9/400	120	£207
9COA 6-17																		170	£208
9COA 6-22		220	£212																
9COA 6-27		270	£219																
9COA 10-17		4	40	1.67	100	360	1.80	2800	14/400	170	£338								
9COA 10-27										270	£348								
9COA 10-35										350	£355								
HIGH PRESSURE		COV 23-15	20	200	0.47	28	0.55	1.1	2800	---	150	£457							
	COV 23-25	250									£475								
	COV 33-18	30	300	0.53	32	0.8	1.8	2800	---	180	£541								
	COV 33-28									280	£549								
	COV 43-25	40	400	0.53	32	1.35	2.6	2800	---	250	£645								
	COV 43-39									350	£658								
	COV 54-25	50	500	0.73	44	2.55	4.7	2800	---	250	£684								
	COV 54-39									390	£699								
COV 56-25	50	500	1.00	60	3.2	5.7	2800	---	250	£809									
COV 56-39									390	£831									

Three-phase: 400V±10% 50Hz
Single-phase: 230V 50Hz



COV



MICROMASTER 420 - (The Universal)					
Supply Voltage: single-phase 200-240V					
Rating	Frame	Industrial	List price	Filtered*	List price
0.12 kW /0.9 A	A	6SE6420-2UC11-2AA1	£115	6SE6420-2AB11-2AA1	£130
0.25 kW /1.7 A	A	6SE6420-2UC12-5AA1	£126	6SE6420-2AB12-5AA1	£140
0.37 kW /2.3 A	A	6SE6420-2UC13-7AA1	£133	6SE6420-2AB13-7AA1	£152
0.55 kW /3.0 A	A	6SE6420-2UC15-5AA1	£145	6SE6420-2AB15-5AA1	£163
0.75 kW /3.9 A	A	6SE6420-2UC17-5AA1	£160	6SE6420-2AB17-5AA1	£179
1.1 kW /5.5 A	B	6SE6420-2UC21-1BA1	£182	6SE6420-2AB21-1BA1	£207
1.5 kW /7.4 A	B	6SE6420-2UC21-5BA1	£208	6SE6420-2AB21-5BA1	£239
2.2 kW /10.4 A	B	6SE6420-2UC22-2BA1	£247	6SE6420-2AB22-2BA1	£282
3 kW /13.6 A	C	6SE6420-2UC23-0CA1	£285	6SE6420-2AB23-0CA1	£329
Supply Voltage: three-phase 380-480V					
Rating	Frame	Industrial	List price	Filtered*	List price
0.37 kW /1.2 A	A	6SE6420-2UD13-7AA1	£289	6SE6400-2FA00-6AD0	£61 *
0.55 kW /1.6 A	A	6SE6420-2UD15-5AA1	£300	6SE6400-2FA00-6AD0	£61 *
0.75 kW /2.1 A	A	6SE6420-2UD17-5AA1	£312	6SE6400-2FA00-6AD0	£61 *
1.1 kW /3.0 A	A	6SE6420-2UD21-1AA1	£330	6SE6400-2FA00-6AD0	£61 *
1.5 kW /4.0 A	A	6SE6420-2UD21-5AA1	£349	6SE6400-2FA00-6AD0	£61 *
2.2 kW /5.9 A	B	6SE6420-2UD22-2BA1	£393	6SE6420-2AD22-2BA1	£440
3 kW /7.7 A	B	6SE6420-2UD23-0BA1	£446	6SE6420-2AD23-0BA1	£499
4 kW /10.2 A	B	6SE6420-2UD24-0BA1	£490	6SE6420-2AD24-0BA1	£550
5.5 kW /13.2 A	C	6SE6420-2UD25-5CA1	£624	6SE6420-2AD25-5CA1	£699
7.5 kW /19.0 A	C	6SE6420-2UD27-5CA1	£751	6SE6420-2AD27-5CA1	£842
11 kW /26.0 A	C	6SE6420-2UD31-1CA1	£966	6SE6420-2AD31-1CA1	£1,085

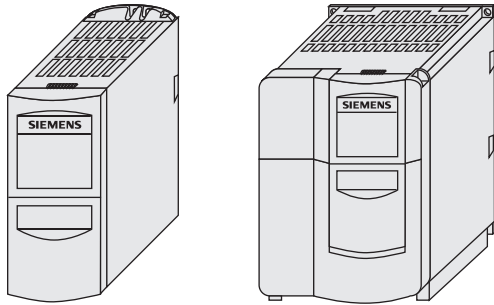
*Class A EMC filtered for commercial or light industrial applications. Additional filter options (eg class B) on request.

MICROMASTER 440 - (The All Purpose)						
Supply Voltage: single-phase 200-240V						
Rating	Frame	Industrial	List price	Filtered**	List price	
0.12 kW /0.9 A	A	6SE6440-2UC11-2AA1	£164	6SE6440-2AB11-2AA1	£184	
0.25 kW /1.7 A	A	6SE6440-2UC12-5AA1	£173	6SE6440-2AB12-5AA1	£196	
0.37 kW /2.3 A	A	6SE6440-2UC13-7AA1	£187	6SE6440-2AB13-7AA1	£213	
0.55 kW /3.0 A	A	6SE6440-2UC15-5AA1	£204	6SE6440-2AB15-5AA1	£231	
0.75 kW /3.9 A	A	6SE6440-2UC17-5AA1	£214	6SE6440-2AB17-5AA1	£242	
1.1 kW /5.5 A	B	6SE6440-2UC21-1BA1	£246	6SE6440-2AB21-1BA1	£278	
1.5 kW /7.4 A	B	6SE6440-2UC21-5BA1	£281	6SE6440-2AB21-5BA1	£317	
2.2 kW /10.4 A	B	6SE6440-2UC22-2BA1	£331	6SE6440-2AB22-2BA1	£373	
3 kW /13.6 A	C	6SE6440-2UC23-0CA1	£387	6SE6440-2AB23-0CA1	£435	
Supply Voltage: three-phase 380-480V						
Rating	Frame	Industrial	List price	Filtered**	List price	
0.37 kW /1.3 A	A	6SE6440-2UD13-7AA1	£360	6SE6400-2FA00-6AD0***	£61 *	
0.55 kW /1.7 A	A	6SE6440-2UD15-5AA1	£377	6SE6400-2FA00-6AD0***	£61 *	
0.75 kW /2.2 A	A	6SE6440-2UD17-5AA1	£390	6SE6400-2FA00-6AD0***	£61 *	
1.1 kW /3.1 A	A	6SE6440-2UD21-1AA1	£416	6SE6400-2FA00-6AD0***	£61 *	
1.5 kW /4.1 A	A	6SE6440-2UD21-5AA1	£467	6SE6400-2FA00-6AD0***	£61 *	
2.2 kW /5.9 A	B	6SE6440-2UD22-2BA1	£541	6SE6440-2AD22-2BA1	£608	
3 kW /7.7 A	B	6SE6440-2UD23-0BA1	£608	6SE6440-2AD23-0BA1	£683	
4 kW /10.2 A	B	6SE6440-2UD24-0BA1	£684	6SE6440-2AD24-0BA1	£768	
Constant Torque		Variable Torque				
5.5 kW /13 A	7.5 kW /19 A	C	6SE6440-2UD25-5CA1	£839	6SE6440-2AD25-5CA1	£942
7.5 kW /19 A	11 kW /26 A	C	6SE6440-2UD27-5CA1	£1,025	6SE6440-2AD27-5CA1	£1,155
11 kW /26 A	15 kW /32 A	C	6SE6440-2UD31-1CA1	£1,325	6SE6440-2AD31-1CA1	£1,485
15 kW /32 A	18.5 kW /38 A	D	6SE6440-2UD31-5DA1	£1,675	6SE6440-2AD31-5DA1	£1,810
18.5 kW /38 A	22 kW /45 A	D	6SE6440-2UD31-8DA1	£1,920	6SE6440-2AD31-8DA1	£2,075
22 kW /45 A	30 kW /62 A	D	6SE6440-2UD32-2DA1	£2,230	6SE6440-2AD32-2DA1	£2,410
30 kW /62 A	37 kW /75 A	E	6SE6440-2UD33-0EA1	£2,870	6SE6440-2AD33-0EA1	£3,100
37 kW /75 A	45 kW /90 A	E	6SE6440-2UD33-7EA1	£3,315	6SE6440-2AD33-7EA1	£3,580
45 kW /90 A	55 kW /110 A	F	6SE6440-2UD34-5FA1	£3,830	6SE6440-2AD34-5FA1	£4,140
55 kW /110 A	75 kW /145 A	F	6SE6440-2UD35-5FA1	£4,350	6SE6440-2AD35-5FA1	£4,695
75 kW /145 A	90 kW /178 A	F	6SE6440-2UD37-5FA1	£5,120	6SE6440-2AD37-5FA1	£5,530
90 kW /178 A	110 kW /205 A	FX	6SE6440-2UD38-8FA1	£6,370	6SL3000-0BE32-5AA0***	£950 *
110 kW /205 A	132 kW /250 A	FX	6SE6440-2UD41-1FA1	£7,360	6SL3000-0BE34-4AA0***	£1,560*
132 kW /250 A	160 kW /302 A	GX	6SE6440-2UD41-3GA1	£8,275	6SL3000-0BE34-4AA0***	£1,560*
160 kW /302 A	200 kW /370 A	GX	6SE6440-2UD41-6GA1	£9,350	6SL3000-0BE34-4AA0***	£1,560*
200 kW /370 A	250 kW /477 A	GX	6SE6440-2UD42-0GA1	£10,920	6SL3000-0BE36-0AA0***	£1,800*

**Class A EMC filtered for commercial or light industrial applications. Additional filter options (eg class B) on request.
***External module to be used in conjunction with the standard industrial drive.

MICROMASTER 430 - (The Specialist for Pumps & Fans)

The MICROMASTER 430 is specifically designed for integration into systems requiring variable speed control on industrial pump and fan applications including HVAC.
Please call Rotor (UK) for more information & prices



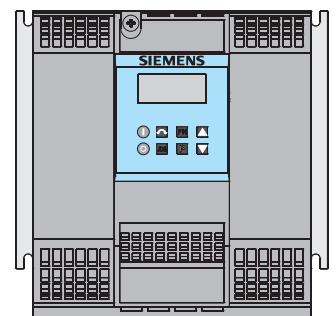
MicroMaster 420	MicroMaster 440	OPTIONS	Price
6SE6400-0BP00-0AA0	6SE6400-0BP00-0AA0	Basic Operator Panel (BOP)	£28
6SE6400-0AP00-0AA1	6SE6400-0AP00-0AA1	Advanced Operator Panel (AOP)	£105
6SE6400-1PC00-0AA0	6SE6400-1PC00-0AA0	PC – MICROMASTER Connection Kit	£24
6SE6400-0MD00-0AA0	6SE6400-0MD00-0AA0	Multidrop Panel Mounting Kit (for AOP)	£77
6SE6400-0PM00-0AA0	6SE6400-0PM00-0AA0	Standard Panel Mounting Kit (for BOP or AOP)	£70
6SE6400-1PB00-0AA0	6SE6400-1PB00-0AA0	PROFIBUS Module	£94
6SE6400-1DN00-0AA0	6SE6400-1DN00-0AA0	Device Net Module	£94
6SE6400-1CB00-0AA0	6SE6400-1CB00-0AA0	CAN Bus Module	£94
N/A	6SE6400-0EN00-0AA0	Encoder Feedback Module	£116
6SE6400-0GP00-0AA0	6SE6400-0GP00-0AA0	Frame Size A Gland Plate	£9
6SE6400-0GP00-0BA0	6SE6400-0GP00-0BA0	Frame Size B Gland Plate	£15
6SE6400-0GP00-0CA0	6SE6400-0GP00-0CA0	Frame Size C Gland Plate	£23
6SE6400-5AB00-1AP0	6SE6400-5AD00-1AP0	Docu pack – supplied with drive	£4

* This is additional price for External Footprint Module to add to the industrial unit.

Dimensions

- (W x H x D Max mm)
 Size AA - 150 x 69 x 118
 Size AB - 150 x 69 x 138
 Size A - 73 x 173 x 149
 Size B - 149 x 202 x 172
 Size C - 185 x 245 x 195
 Size D - 275 x 520 x 245
 Size E - 275 x 650 x 245
 Size F - 350 x 850 x 320
 Size F Class A - 350 x 1150 x 320
 Size FX - 326 x 1400 x 356
 Size GX - 326 x 1533 x 545

SINAMICS G110 - "NEW GENERATION"					
Supply Voltage: single-phase 200-240V					
Rating	Frame	Industrial	List price	Filtered	List price
0.12 kW /0.9 A	A	6SL3211-0AB11-2UA0	£85	6SL3211-0AB11-2BA0	£95
0.25 kW /1.7 A	A	6SL3211-0AB12-5UA0	£92	6SL3211-0AB12-5BA0	£104
0.37 kW /2.3 A	A	6SL3211-0AB13-7UA0	£98	6SL3211-0AB13-7BA0	£112
0.55 kW /3.2 A	A	6SL3211-0AB15-5UA0	£108	6SL3211-0AB15-5BA0	£120
0.75 kW /3.9 A	A	6SL3211-0AB17-5UA0	£118	6SL3211-0AB17-5BA0	£132
1.1 kW /6.0 A	B	6SL3211-0AB21-1UA0	£135	6SL3211-0AB21-1AA0	£154
1.5 kW /7.8 A	B	6SL3211-0AB21-5UA0	£153	6SL3211-0AB21-5AA0	£177
2.2 kW /11.0 A	C	6SL3211-0AB22-2UA0	£183	6SL3211-0AB22-2AA0	£209
3 kW /13.6 A	C	6SL3211-0AB23-0UA0	£212	6SL3211-0AB23-0AA0	£243
Options					Price
6SL3255-0AA00-4BA0	Basic Operator Panel				£20
6SL3255-0AA00-2AA0	Connection kit for PC to Inverter				£23
6SL3271-0CA00-0AG0	Documentation DVD with operating instructions, parameter list etc				£10
6SL3072-0AA00-0AG0	STARTER commissioning tool (on DVD)				£23



Frequency Inverters

AC Tech SCF Series Frequency Inverters

Footprint FILTERS for FREQUENCY INVERTERS

AC Tech

Protection IP20							
TYPE	MOTOR OUTPUT kW	MOTOR CURRENT Amps	Dimensions			Weight kg	LIST PRICE
			Height mm	Width mm	Depth mm		
Single-phase input* - Three-phase output			208V-240V 50Hz/60Hz				
SF203Y	0.18kW	1.4	146	73	96	0.9	£153
SF205Y	0.37kW	2.2	146	73	96	0.9	£159
SF210Y	0.75kW	4	146	73	116	1.1	£172
SF215Y	1.1kW	5.4	146	96	133	1.6	£203
SF220Y	1.5kW	6.8	146	96	171	2.0	£225
SF230Y	2.2kW	9.6	146	96	171	2.2	£274
SF250Y	4kW	15.2	197	128	182	3.5	£409
Three-phase input - Three-phase output			380V-480V 50Hz/60Hz				
SF405	0.37kW	1.3	146	73	96	0.9	£178
SF410	0.75kW	2.2	146	73	116	1.1	£192
SF415	1.1kW	3.1	146	73	141	1.3	£209
SF420	1.5kW	3.7	146	73	141	1.4	£231
SF430	2.2kW	5.3	146	73	141	1.5	£258
SF450	4kW	8.4	146	96	171	2.1	£359
SF475	5.5kW	12.1	197	128	182	3.3	£468
SF4100	7.5kW	15.5	197	128	182	3.4	£560
SF4150	11kW	24.2	248	170	203	6.0	£733
SF4200	15kW	31.1	248	170	203	6.1	£897
SF4250	18.5kW	39.1	248	170	203	6.3	£1,067

TYPE	RATED CURRENT Amps	Dimensions			LIST PRICE
		Height mm	Width mm	Depth mm	
SINGLE-PHASE		max 250V AC			
RF1010-ACT	10	180	102	42	£27
RF1020-ACT	20	180	124	42	£36
RF1030-ACT	30	230	156	46	£53
THREE-PHASE		max 480V AC			
RF3008-ACT	8	180	102	46	£47
RF3010-ACT	10	180	124	46	£58
RF3020-ACT	20	230	156	46	£68
RF3050-ACT	50	296	228	75	£103



*With possibility of Three-phase Input for the voltage range 208V-240V 50Hz/60Hz

AC Tech SCL Series Frequency Inverters

Essential Featured - LOW COST! with Built-in Filter

Protection IP20

TYPE	MOTOR OUTPUT kW	MOTOR CURRENT Amps	Dimensions			Weight kg	LIST PRICE
			Height mm	Width mm	Depth mm		
Single-phase input* - Three-phase output			208V-240V 50Hz/60Hz				
SL204S	0.25kW	1.7	146	73	83	0.9	£104
SL205S	0.37kW	2.4	146	73	83	0.9	£112
SL208S	0.55kW	3.2	146	73	92	0.9	£121
SL210S	0.75kW	4.2	146	73	92	0.9	£127
SL215S	1.1kW	6.0	146	96	124	1.2	£161
SL220S	1.5kW	7.0	146	96	124	1.2	£180
SL230S	2.2kW	9.6	146	96	141	1.4	£196

*With possibility of Three-phase Input for the voltage range 208V-240V 50Hz/60Hz

SCF, SCL Accessories

DIN RAIL - set of 6pcs		LIST
SL204S, SL205S, SL208S, SL210S, SF203Y, SF205Y, SF210Y, SF405, SF410, SF415, SF420, SF430		£6.30
SL215S, SL220S, SL230S, SF215Y, SF220Y, SF230Y, SF450		£7.40
SF250Y, SF475, SF4100		£8.40
REMOTE KEYPAD		LIST
Remote Keypad		£49.20
Programming Module (EPM)		LIST
EPM Programmer		£177.70
EPM Bulk Pack (10pcs)		£37.70
Dynamic Brake Modules		LIST
0.18-0.37kW, 0.75-1.1kW, 1.5-2.2kW, 4kW, 5.5kW, 7.5kW, or with no resistors		P.O.A.

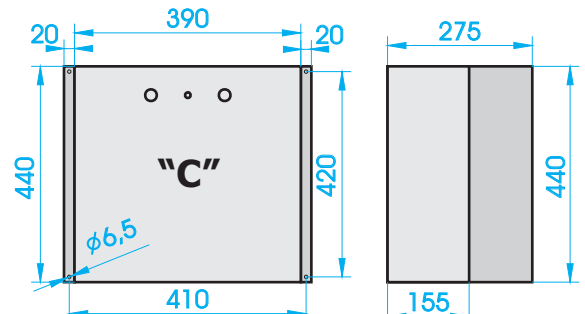
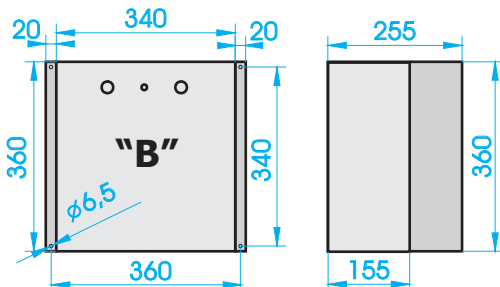
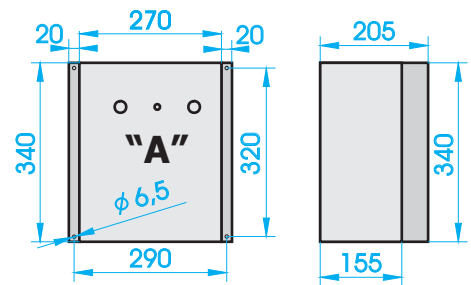
AC Tech SCF Frequency Inverters built in IP55 STEEL ENCLOSURES

Front panel equipped with On/Off switch, Potentiometer to control the speed and Forward/Reverse switch.

TYPE	MOTOR		EMC FILTER (built-in)		Size	Dimensions			LIST PRICE
	OUTPUT kW	CURRENT Amps	TYPE	CURRENT Amps		Height mm	Width mm	Depth mm	
Single-phase input* - Three-phase output			208V-240V 50Hz/60Hz						
ESF210YF	0.75kW	4	RF1010-ACT	10	A	340	310	205	£277
ESF215YF	1.1kW	5.4	RF1020-ACT	20					£314
ESF220YF	1.5kW	6.8							£350
ESF230YF	2.2kW	9.6	RF1030-ACT	30	B	360	380	255	£416
ESF250YF	4kW	15.2			C	410	470	275	£536
Three-phase input - Three-phase output			380V-480V 50Hz/60Hz						
ESF410F	0.75kW	2.2	RF3008-ACT	8	A	340	310	205	£333
ESF415F	1.1kW	3.1							£340
ESF420F	1.5kW	3.7							£367
ESF430F	2.2kW	5.3	RF3010-ACT	10	B	360	380	255	£396
ESF450F	4kW	8.4							£530
ESF475F	5.5kW	12.1	RF3020-ACT	20	C	410	470	275	£708
ESF4100F	7.5kW	15.5							£729

*With possibility of Three-phase Input for the voltage range 208V-240V 50Hz/60Hz

EMC filters ensure compliance with EN 55011:1991 Group1, ClassB (equipment in domestic/ light industrial environment) when recommended installation instructions are followed.



Parker SSD **AC650** drives 380-460V, **IP20**, Air-cooled AC inverters, **EMC** filter built-in
Three-phase input - three-phase output



Part Number	Nominal Power	Motor Current	Frame Size	List Price
AC650 - General Purpose Inverters				
650-43115020-BF0P00-A1	0.37 kW	1.5 A	2	£255
650-43120020-BF0P00-A1	0.55 kW	2 A	2	£269
650-43125020-BF0P00-A1	0.75 kW	2.5 A	2	£284
650-43135020-BF0P00-A1	1.1 kW	3.5 A	2	£295
650-43145020-BF0P00-A1	1.5 kW	4.5 A	2	£325
650-43155020-BF0P00-A1	2.2 kW	5.5 A	2	£395
650-43168030-BF0P00-A1	3 kW	6.8 A	3	£492
650-43190030-BF0P00-A1	4 kW	9 A	3	£521
650-43212030-BF0P00-A1	5.5 kW	12 A	3	£623
650-43216030-BF0P00-A1	7.5 kW	16 A	3	£825

The 650 and 650V series is a family of AC drives that provide a cost effective solution for the simplest to most complex open-loop AC motor control applications.

The 650 has single key selectable pre-programmed applications so set-up is quick and easy without unnecessary complications.

Parker SSD **AC650V** drives 380-460V, **IP20**, Air-cooled AC inverters, **EMC** filter built-in
Three-phase input - three-phase output

Part Number	Nominal Power		Motor Current		Frame Size	List Price
AC650V - General Purpose High Performance Inverters						
650V-43115020-BF1P00-A1	0.37 kW		1.5 A		2	£345
650V-43120020-BF1P00-A1	0.55 kW		2 A		2	£370
650V-43125020-BF1P00-A1	0.75 kW		2.5 A		2	£395
650V-43135020-BF1P00-A1	1.1 kW		3.5 A		2	£420
650V-43145020-BF1P00-A1	1.5 kW		4.5 A		2	£465
650V-43155020-BF1P00-A1	2.2 kW		5.5 A		2	£535
650V-43168030-BF1P00-A1	3 kW		6.8 A		3	£561
650V-43190030-BF1P00-A1	4 kW		9 A		3	£604
650V-43212030-BF1P00-A1	5.5 kW		12 A		3	£707
650V-43216030-BF1P00-A1	7.5 kW		16 A		3	£905
Torque	Constant	Variable	Constant	Variable		
650V-432160C0-B01P00-A3	7.5 kW	11 kW	16 A	23 A	C	£1,050
650V-432230C0-B01P00-A3	11 kW	15 kW	23 A	30 A	C	£1,175
650V-432200C0-B01P00-A3	15 kW	18 kW	30 A	38 A	C	£1,625
650V-432380D0-001P00-A3	18 kW	22 kW	38 A	45 A	D	£2,050
650V-432450D0-001P00-A3	22 kW	30 kW	45 A	59 A	D	£2,385
650V-432590D0-001P00-A3	30 kW	37 kW	59 A	73 A	D	£2,745
650V-432730E0-001P00-A3	37 kW	45 kW	73 A	87 A	E	£3,435
650V-432870E0-001P00-A3	45 kW	55 kW	87 A	105 A	E	£3,920
650V-433105F1-001P00-A3	55 kW	75 kW	105 A	145 A	F	£4,765
650V-433145F1-001P00-A3	75 kW	90 kW	145 A	165 A	F	£5,130
650V-433156F1-001P00-A3	90 kW	110 kW	180 A	205 A	F	£6,115

In addition the 650V has the added benefit of an ultra-high torque sensorless vector algorithm and the control flexibility of fully configurable Function Block Programming.

Powers are available up to 110kW on 400V three-phase supplies and all units are available with integral EMC compliant filters.

- Overload – 150% for 30 seconds
- Motor Thermistor Input
- Integral Programming/Control Module
- 6 Button password protectable keypad giving control of
 - start/stop
 - direction
 - raise/lower speed
 - menu navigation
 - parameter setting
- Back lit LCD giving 4 digit readout of
 - output current
 - setpoint frequency
 - output frequency
 - drive rotating warning
 - status alarms

Variable torque rating is for centrifugal pump and fan applications

Frame Size	Height	Width	Depth	Weight
1	137	73	142	0.85 kg
2	192	73	173	1.4 kg
3	257	96	195	2.7 kg
C	348	201	208	9.3 kg
D	453	252	245	17.4 kg
E	669	257	312	32.5 kg
F	720	257	349	41 kg



In-Line Helical Gearboxes - European Foot Print & Dimensions

DOUBLE REDUCTION

TYPE	E BOX List Price	E SHAFT List Price	For Motor	FLAT FLANGE for B5 List Price	TOTAL LIST PRICE	FLAT FLANGE for B14A List Price	TOTAL LIST PRICE		
E BOX 21	£172	£16	63	63 frame: 140 mm	£9	£197	80 frame: 120 mm 90 frame: 140 mm 100,112 frame: 160 mm 100,112 frame: 160 mm	£6 £9 £12 £12	£194 £197 £200 £200
			71	71 frame: 160 mm	£12	£200			
			80	80,90 frame: 200 mm	£16	£204			
			90	80,90 frame: 200 mm	£16	£204			
			100	100,112 frame: 250 mm	£23	£211			
E BOX 22	£262	£23	112	100,112 frame: 250 mm	£24	£212	80 frame: 120 mm 90 frame: 140 mm 100,112 frame: 160 mm 100,112 frame: 160 mm 132 frame: 200 mm	£6 £9 £12 £12 £16	£291 £294 £297 £297 £301
			71	71 frame: 160 mm	£12	£297			
			80	80,90 frame: 200 mm	£16	£301			
			90	80,90 frame: 200 mm	£16	£301			
			100	100,112 frame: 250 mm	£23	£308			
E BOX 23	£318	£29	112	100,112 frame: 250 mm	£23	£308	80 frame: 120 mm 90 frame: 140 mm 100,112 frame: 160 mm 100,112 frame: 160 mm 132 frame: 200 mm	£6 £9 £12 £12 £16	£353 £356 £359 £359 £363
			132	132 frame: 300 mm	£30	£377			
			160	160,180 frame: 350 mm	£44	£391			
			90	80,90 frame: 200 mm	£16	£363			
			100	80,90 frame: 200 mm	£16	£363			
E BOX 24	£366	£40	112	100,112 frame: 250 mm	£23	£429	100,112 frame: 160 mm 100,112 frame: 160 mm 132 frame: 200 mm	£12 £12 £16	£418 £418 £422
			132	132 frame: 300 mm	£30	£436			
			160	160,180 frame: 350 mm	£44	£450			
			90	80,90 frame: 200 mm	£16	£422			
			100	100,112 frame: 250 mm	£23	£429			
E BOX 25	£641	£53	112	100,112 frame: 250 mm	£23	£717			
			132	132 frame: 300 mm	£30	£724			
			160	160,180 frame: 350 mm	£44	£738			
			180	160,180 frame: 350 mm	£44	£738			
			200	200 frame: 400 mm	£51	£745			
E BOX 26	£1,013	£65	100	100,112 frame: 250 mm	£23	£1,101			
			112	100,112 frame: 250 mm	£23	£1,101			
			132	132 frame: 300 mm	£30	£1,108			
			160	160,180 frame: 350 mm	£44	£1,122			
			180	160,180 frame: 350 mm	£44	£1,122			
E BOX 27	£1,335	£89	200	200 frame: 400 mm	£51	£1,129			
			132	132 frame: 300 mm	£30	£1,454			
			160	160,180 frame: 350 mm	£44	£1,468			
			180	160,180 frame: 350 mm	£44	£1,468			
			225	225 frame: 450 mm	£59	£1,483			

E BOX

Suitable for Standard Motors

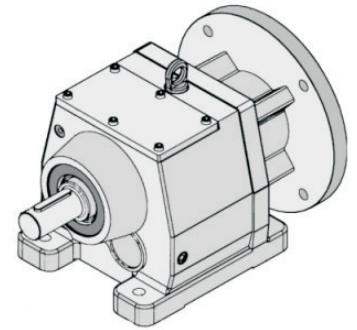
Interchangeable with G/boxes of major European manufacturers

Low noise operation

Case hardened and ground gears

Low maintenance

Reliable operation

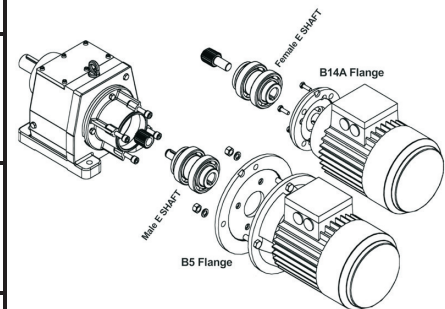


TRIPLE REDUCTION

TYPE	E BOX List Price	E SHAFT List Price	For Motor	FLAT FLANGE for B5 List Price	TOTAL LIST PRICE	FLAT FLANGE for B14A List Price	TOTAL LIST PRICE		
E BOX 31	£223	£16	63	63 frame: 140 mm	£9	£248	80 frame: 120 mm 90 frame: 140 mm	£6 £9	£245 £248
			71	71 frame: 160 mm	£12	£251			
			80	80,90 frame: 200 mm	£16	£255			
E BOX 32	£292	£23	90	80,90 frame: 200 mm	£16	£255	80 frame: 120 mm 90 frame: 140 mm 100,112 frame: 160 mm	£6 £9 £12	£321 £324 £327
			63	63 frame: 140 mm	£9	£324			
			71	71 frame: 160 mm	£12	£327			
			80	80,90 frame: 200 mm	£16	£331			
E BOX 33	£364	£29	90	80,90 frame: 200 mm	£16	£331	80 frame: 120 mm 90 frame: 140 mm 100,112 frame: 160 mm 100,112 frame: 160 mm	£6 £9 £12 £12	£399 £402 £405 £405
			100	100,112 frame: 250 mm	£23	£416			
			112	100,112 frame: 250 mm	£23	£416			
			71	71 frame: 160 mm	£12	£405			
E BOX 34	£445	£40	80	80,90 frame: 200 mm	£16	£409	80 frame: 120 mm 90 frame: 140 mm 100,112 frame: 160 mm 100,112 frame: 160 mm 132 frame: 200 mm	£6 £9 £12 £12 £16	£491 £494 £497 £497 £501
			90	80,90 frame: 200 mm	£16	£501			
			100	100,112 frame: 250 mm	£23	£508			
			112	100,112 frame: 250 mm	£23	£508			
			132	132 frame: 300 mm	£30	£515			
E BOX 35	£699	£53	71	71 frame: 160 mm	£12	£764			
			80	80,90 frame: 200 mm	£16	£768			
			90	80,90 frame: 200 mm	£16	£768			
			100	100,112 frame: 250 mm	£23	£775			
			112	100,112 frame: 250 mm	£23	£775			
E BOX 36	£1,123	£65	132	132 frame: 300 mm	£30	£1,218			
			160	160,180 frame: 350 mm	£44	£1,232			
			80	80,90 frame: 200 mm	£16	£1,204			
			90	80,90 frame: 200 mm	£16	£1,204			
			100	100,112 frame: 250 mm	£23	£1,211			
E BOX 37	£1,851	£89	112	100,112 frame: 250 mm	£23	£1,963			
			132	132 frame: 300 mm	£30	£1,970			
			160	160,180 frame: 350 mm	£44	£1,984			
			180	160,180 frame: 350 mm	£44	£1,984			
			200	200 frame: 400 mm	£51	£1,991			

SUITABLE FOR STANDARD MOTORS

Motors not included in List Prices



Gearbox Selector can be found on the Internet:

www.rotor.co.uk/gearboxes/ebox_selection.htm

RECORD YOUR DISCOUNTS:

Electric Motors Three-phase (eff2)	%
Electric Motors Three-phase (eff1)	%
Electric Motors Single-phase	%
Electric Motors Three-phase Explosion-proof	%
Motor Accessories (Brakes, Force Fan Units, Slide Rails)	%
Coolant Pumps & Vibrator Motors	%
Frequency Inverters made by Siemens	%
Frequency Inverters made by Parker SSD	%
Frequency Inverters made by AC Tech	%
In-Line Gearboxes	%

Credit Account Application form can be downloaded from our website:
www.rotor.co.uk/price_list/CreditApplication.pdf

Prices published in this Price List may differ from official price lists published from time to time by the individual manufacturers. All orders placed with Rotor (UK) Limited will be strictly governed by this Price List or any other price list published by Rotor (UK) Limited.

IMPORTANT !

Upon receipt of a consignment from Rotor (UK) Limited please check the contents for damaged items before you sign a carriers' note. The carriers will not accept liability if signed for as "Received in good condition" and consequently Rotor (UK) Limited cannot entertain damage claims under these circumstances. Thank you.

Specials

All orders for non-standard items should be thoroughly considered before order placement as the goods cannot be accepted back and credit issued should the items became unwanted. This applies also to the items modified by Rotor (UK) upon customers' requests (includes brakes, gearboxes which cannot be disassembled, etc)

GOODS RETURN - authorisation

All products are normally covered by a manufacturers' 12 month warranty. Any item/s you may wish to return, for whatever reason, must have been issued with a 'RAN' (Returns Authorisation Number and form) which is obtainable from Rotor (UK). The RAN form must be completed and returned together with the goods. Failure to obtain and return the RAN may delay any warranty processing.

Out of Hours Stock Service - Tel. 07788-428315

Stock items can be checked, collected or delivered 24 hours a day.

Out of Hours service charges may be applicable and vary upon requirements.



STANDARD TERMS AND CONDITIONS ROTOR (UK) LIMITED

1. DEFINITIONS

The "Seller" means Rotor (UK) Limited.

The "Buyer" means the person, firm or company so named in the Order Acknowledgement.

The "goods" means all goods specified in the Order Acknowledgement.

The "contract" means the contract between the Buyer and the Seller consisting of the Order Acknowledgement, any documents referred to therein and these terms and conditions.

The "parties" means the Buyer and the Seller.

2. APPLICABILITY OF CONDITIONS

All contracts for the sale of goods between the parties shall take effect subject to these terms and conditions, which shall not be varied, waived, added to or deleted whether wholly or in part, save with the written consent of both parties (whether before or after the conclusion of the contract).

3. PAYMENT TERMS

(a) Unless otherwise stated in the Order Acknowledgement, payment of the price of the goods shall be made within 30 days of the date of the invoice.

(b) Interest shall run on the price at two percent above Base Rate of HSBC Bank from the due date until payment.

(c) The price of the goods shall be deemed earned at the date of invoice and the Buyer shall not be entitled to withhold all or any part of the price on account of complaints relating to the goods, or delivery thereof, whether by way of set off, counterclaim or otherwise.

4. ENGLISH LAW

The contract shall be covered by English Law.

5. DELIVERY BY INSTALMENTS

(a) Unless otherwise agreed the Seller may deliver by installments, in which case the price shall likewise be payable by installments in proportion to the contract value of the goods delivered.

(b) Should default be made by the Buyer in paying any sum due under this contract or any other contract between the parties, the Seller shall have the right (without prejudice to any other rights hereunder) either to suspend all further deliveries until the default be made good or to cancel this contract and any other contract between the parties as far as any goods remain to be delivered.

6. DELIVERY

(a) The time for delivery of goods shall be that specified in the Order Acknowledgement unless agreed otherwise in writing by the parties.

(b) If the Seller fails to deliver the goods at the place and time agreed, the Buyer may, by written notice to the Seller, require that the goods be delivered within 21 days of the receipt by the Seller of such notice, failing which the Buyer shall be entitled to repudiate the contract.

(c) No action for damages or loss of profit and/or other expense shall lie against the Seller on account only of failure to comply with the requirements of the contract as to time and place of delivery.

7. INSURANCE AND TRANSPORT

Unless otherwise stated in the Order Acknowledgement the Seller shall arrange insurance and transport of the goods to the agreed place of delivery. Where the price of the goods does not exceed the current "small purchases limit" fixed by the Seller from time to time, the cost of insurance and transport shall be added to the price of the goods and payable by the Buyer as part of such price.

8. QUALITY AND OTHER DISPUTES INCLUDING TIME LIMITS

(a) The Buyer shall inspect the goods immediately on delivery and shall notify the Seller in writing of any complaint whether as to quantity, quality or otherwise, as follows:

(i) if the matter complained of is apparent within 7 days (goods received damaged must be reported the same day)

(ii) in any other case within 12 months

(iii) in either of the above cases with a description of the motor(s) and the production number(s)

failing which the Buyer shall be deemed to accept the goods as of merchantable quality, fit for the purpose for which they were sold and in all respects in accordance with the contract.

(b) Upon receipt of notification as aforesaid the Seller may within 21 days inspect the goods. Should the complaint be valid the Seller may at its own option replace and/or repair the goods, make good any shortage in quantity or make up an appropriate refund or credit to the Buyer within 21 days of the Seller's inspection.

(c) The Buyer shall not, in any event, be entitled to claim damages from the Seller for loss of profits and/or other expense due to the goods failing to comply with the contract by reason of quality, quantity or otherwise.

9. FORCE MAJEURE

Where prevented from or hindered in performing its obligations under the contract by reason of any circumstances outside its reasonable control, including any form of Government intervention, act of foreign power, war, civil commotion, lockout or strike, the Seller shall be relieved of all liability in respect of the consequences of such prevention or hindrance.

10. RISK AND RESERVATION OF TITLE

(a) Risk in the goods shall pass to the Buyer when the goods have been delivered.

(b) Property in the goods shall remain vested in the Seller until the price in respect thereof has been received by the Seller.

(c) Where the Buyer obtains possession of the goods with the consent of the Seller before the property therein has passed to it, the Buyer shall have the right to re-sell the goods in the ordinary course of its business and any proceeds of sale thereof shall be property of the Seller as soon as the same are received, and the Buyer shall hold such proceeds as bare trustee for the Seller.

(d) The Buyer's right to re-sell in accordance with para. (c) shall automatically cease if the Buyer fails to pay the price or any part thereof on the date agreed and/or if the Buyer becomes insolvent, goes into liquidation (whether voluntary or compulsory) or bankruptcy, makes any arrangement or composition with its creditors or has a receiver appointed over any or all of its assets.

(e) In the event of the Buyer losing its right to re-sell in any of the circumstances specified in para. (d) hereof the Seller may, with or without recourse to legal process, enter upon the Buyer's premises (using reasonable force where necessary) and repossess any goods being the property of the Seller provided that the Seller shall make good any damage caused by such entry.



EFF 2

Page 2,3,4,10,11,13



EFF 1

Page 5,12



NEMA

Ask for details



ATEX

Page 14,15,16



Single phase

Page 8



Marine Motors

Ask for details



DC Motors

Ask for details



Slip Ring

Ask for details



Vibrator Motors

Page 7



SIEMENS Inverters

Page 22



Parker SSD Inverters

Page 24



AC Tech Inverters

Page 23



In-line Gearboxes

Page 25



Worm Gearboxes

Ask for details



Coolant Pumps

Page 21



Servo Motors

Ask for details



Spindle Motors

Ask for details



Availability key:



in stock in the UK



in stock in Holland



at lead time

STOCKIST/DISTRIBUTOR:

ROTOR (UK) LIMITED
16 Everitt Close
Denington Industrial Estate
Wellingborough
Northamptonshire NN8 2QF

Tel. 01933-230900
Fax 01933-272152
www.rotor.co.uk
info@rotor.co.uk

OUT OF HOURS EMERGENCY HELP LINE: 07788-428315

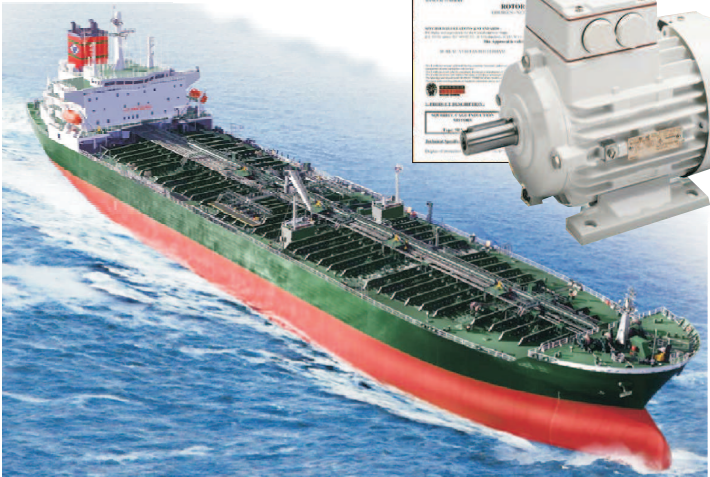


All prices exclude VAT.

The technical data and list prices contained in this Price List are all subject to change or alteration without prior notice.



rotor ni[®] MARINE MOTORS



rotor ni[®] marine motors have been approved by the following authorities:

- ABS (American Bureau of Shipping)
- LR (Lloyd's Register of Shipping)
- GL (Germanischer Lloyds)
- BV (Bureau Veritas)
- DNV (Det Norske Veritas)
- CCS (China Classification Society)
- CCRS (Chinese Corporation Register of Shipping)
- RINA (Registro Italiano Navale)
- KR (Korean Register)
- NKK (Nippon Kaiji Kyokai) (Japanese Register)
- MRS (Russian Register)

INFORMATION NECESSARY FOR QUOTATION

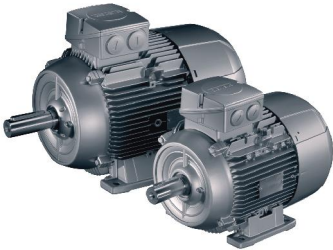
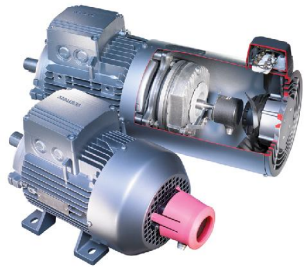
- Output power (kW)
- Motor speed (rpm)
- Motor mounting
- IEC motor frame size
- Voltage (V) and frequency (Hz)
- Method of starting (D.O.L. or Star/Delta)
- Use of frequency inverter/ encoder
- Ambient temperature
- Protection class (IP..) (IP55 is standard)
- With or without a brake
- Method of cooling: TEFC (IC411 - fan cooled) or TENV (IC410 - non fan ventilated)
- For hazardous areas: Zone Classification and Gas Group





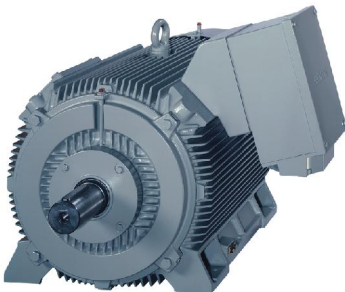
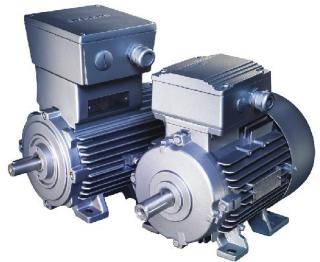
1LG4 and 1LA7 Motors

Modular Concept:
Brake, Encoder &
Force Vent Unit



The "New Generation":
1LE1 Motors

Explosion-proof Motors



Large LV 1LA8 Motors

MV Motors



NEMA Motors



1FK7 Servomotors



1PM6 Spindle Motors

FLENDER



In-Line Gearbox



Helical Bevel Unit



Parallel Shaft Unit

quality
Frequency Inverters



Combimaster

SIEMENS



Sinamics G110



AC Tech



SCF Series



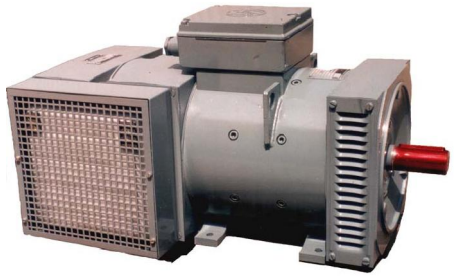
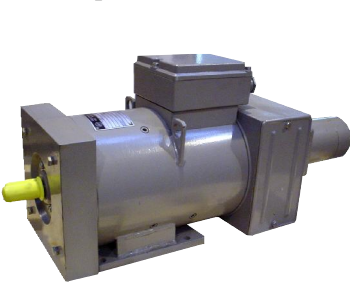
SCL Series

A range of Frequency Inverters
to suit every customer's needs!

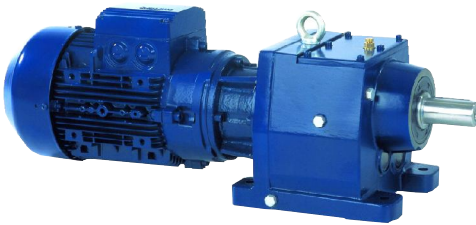
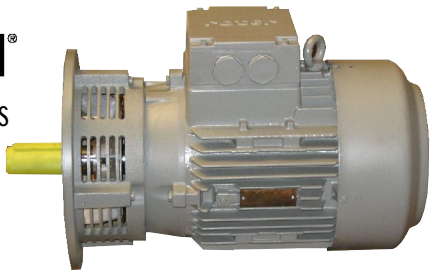
ALSO AVAILABLE FROM **rotor**



DC Motors



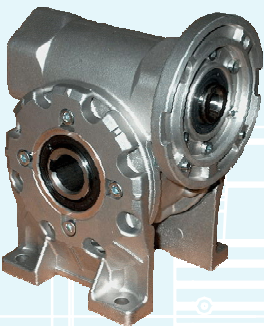
rotor nl[®]
Special Custom Made Motors



E BOX
In-Line Gearboxes

MRT Worm Gear Reducers

rotor



The UK Distributor of **rotor nl**[®]
MRT Worm Reducers:

NET Nottingham Electrical Transmissions

Telephone: 0115-9753655

Website: www.net-eng.co.uk

- § The worm gear assembly consists of brass single or multi-flight worm and worm gear.
- § Selection of ratios from $i = 5 \div 100$
- § Low noise operation
- § High torque utilisation
- § Self-locking gears
- § Low weight
- § Easy integration in driven equipment

Gearbox Selector: http://www.rotor.co.uk/gearboxes/mrt_select.htm