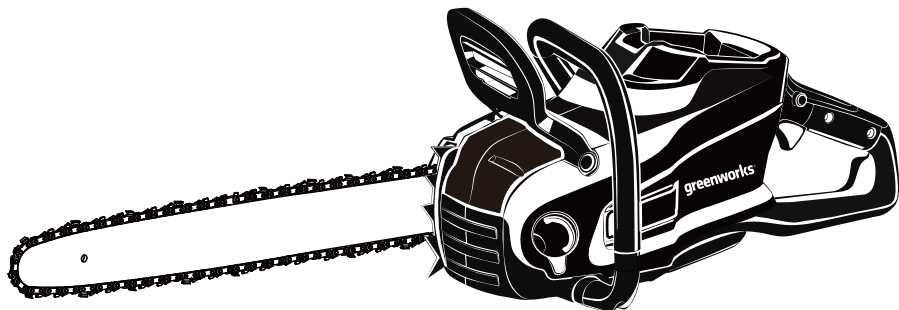


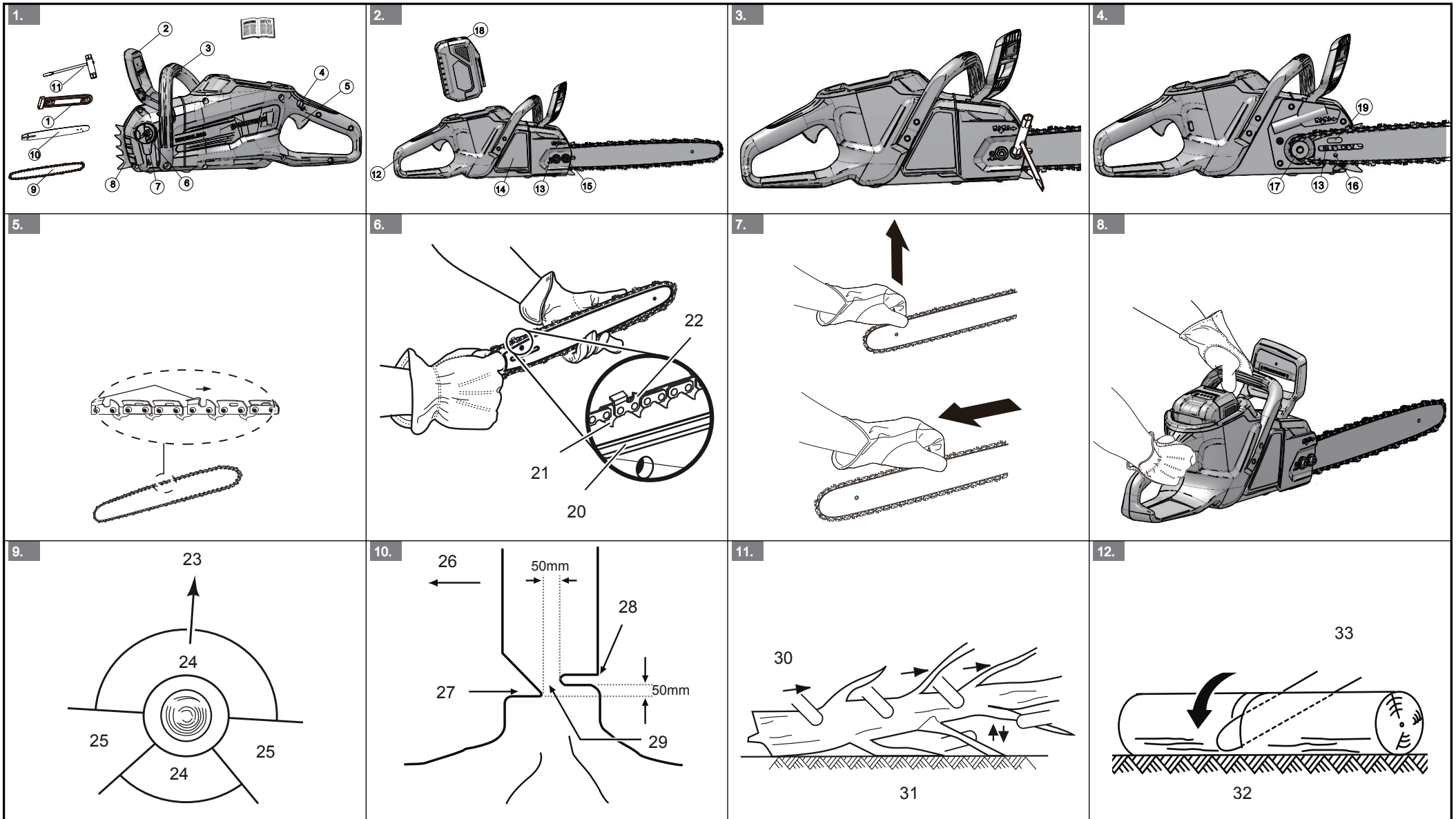
greenworks®

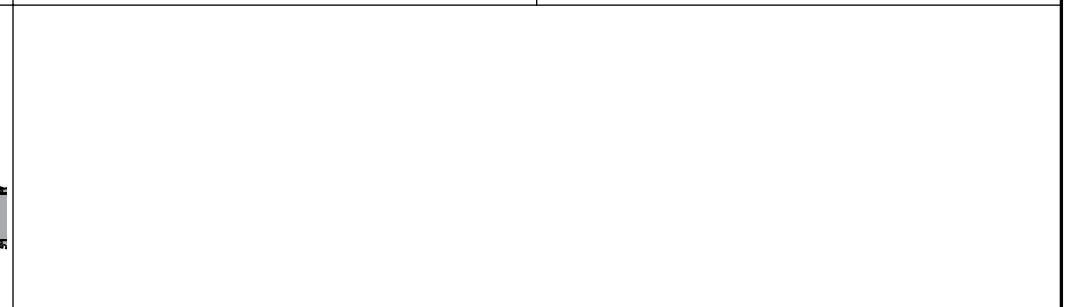
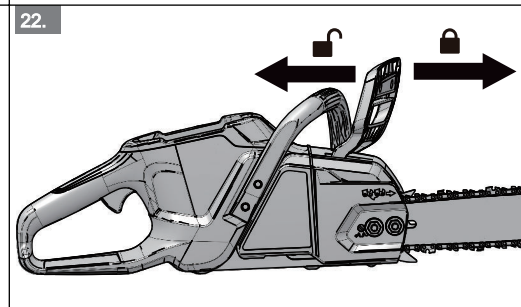
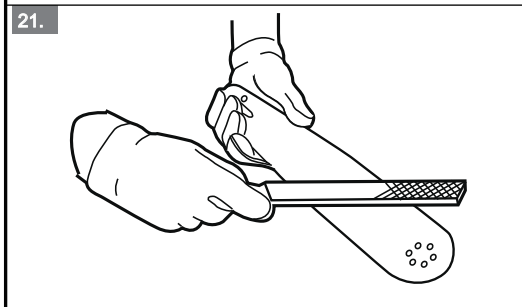
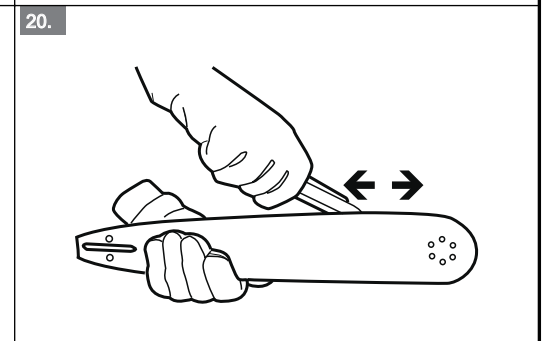
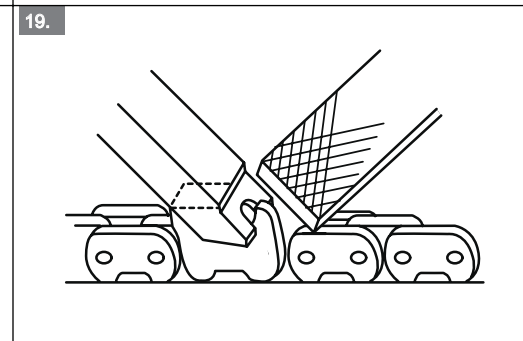
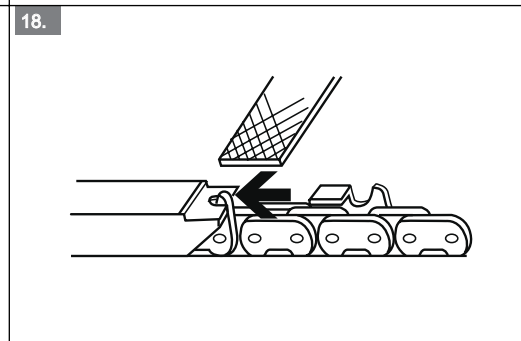
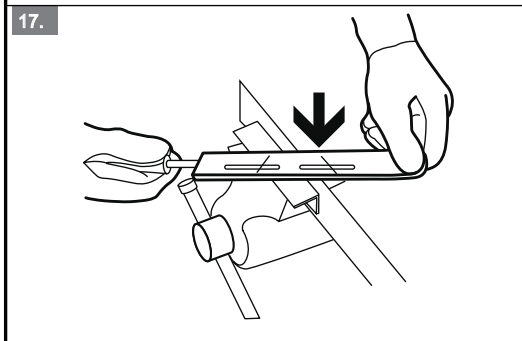
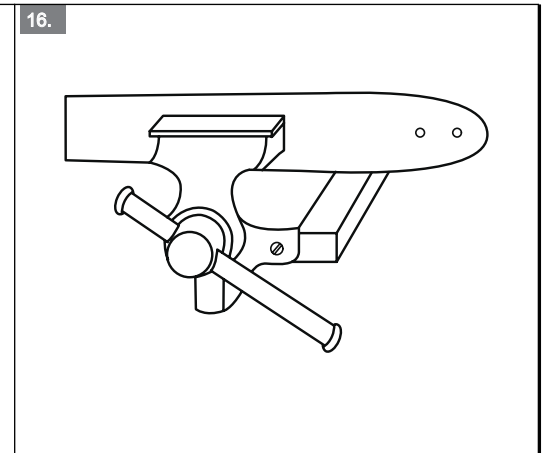
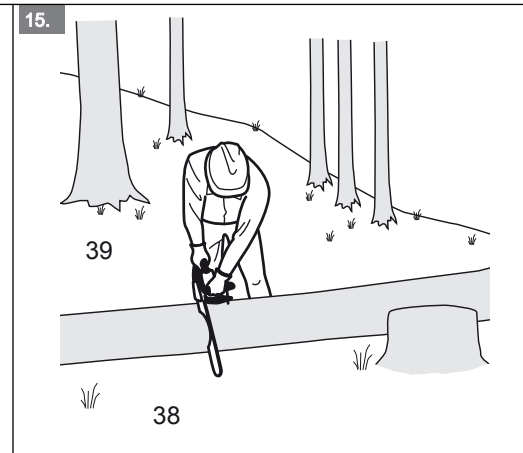
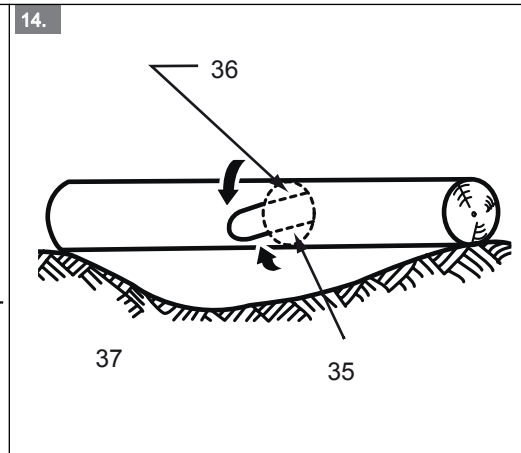
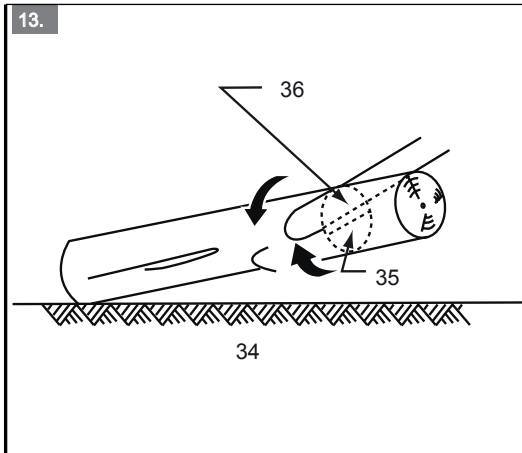


EN	CHAINSAW	OPERATOR MANUAL
FR	CHAINSAW	MANUEL D'UTILISATION
ES	SIERRA DE CADENA	MANUAL DEL OPERADOR



CSE402





1	Description.....	2	11.2 Assemble the guide bar and the chain.....	6
1.1	Overview.....	2	11.3 Install the battery pack.....	6
2	Introduction.....	2	11.4 Remove the battery pack.....	6
2.1	Intended use.....	2	12 Operation.....	6
2.2	Residual risks.....	2	12.1 Examine the chain lubrication.....	6
3	General power tool safety		12.2 Hold the machine.....	7
	warnings.....	2	12.3 Start the machine.....	7
3.1	Work area safety.....	2	12.4 Stop the machine.....	7
3.2	Electrical safety.....	2	12.5 Operate the chain brake.....	7
3.3	Personal safety.....	2	12.6 Fell a tree.....	7
3.4	Power tool use and care.....	3	12.7 Limb a tree.....	8
3.5	Battery tool use and care.....	3	12.8 Buck a log.....	8
3.6	Service.....	3	13 Maintenance.....	8
4	Chainsaw safety warnings.....	3	13.1 Adjust the chain tension.....	8
5	Prevent operator kickback.....	4	13.2 Sharpen the cutters.....	8
6	Additional warnings.....	4	13.3 Guide bar maintenance.....	9
7	Proposition 65.....	5	13.4 Add the bar and chain lubricant.....	9
8	Symbols on the product.....	5	14 Transportation and storage.....	9
9	Risk levels.....	5	15 Troubleshooting.....	10
10	Recycle.....	5	16 Technical data.....	11
11	Installation.....	6	17 Limited warranty.....	11
11.1	Unpack the machine.....	6	18 Exploded view.....	12

1 DESCRIPTION

1.1 OVERVIEW

Figure 1-22

1	Guide bar cover	24	Danger zone
2	Front handle guard / chain brake	25	Escape route
3	Front handle	26	Direction of fall
4	Lock out button	27	Notch
5	Trigger	28	Felling back cut
6	Oil tank cap	29	Hinge
7	Oil indicator	30	Limb cut
8	Spike bumpers	31	Keep work off ground leave support limbs until log is cut
9	Saw chain	32	Log supported along the entire length
10	Guide bar	33	Cut from top (over buck) avoid cutting earth
11	Wrench	34	Log supported one end
12	Rear handle	35	Under buck
13	Chain tension screw	36	Over buck
14	Chain cover	37	Log supported both ends
15	Chain cover nuts	38	Bucking a log
16	Bolt for saw chain tension	39	Stand on uphill side when cutting because log may roll
17	Sprocket		
18	Battery release button		
19	Oil outlet		
20	Bar groove		
21	Chain drive links		
22	Cutter		
23	Felling direction		

2 INTRODUCTION

Your product has been engineered and manufactured to high standards for dependability, ease of operation, and operator safety. When properly cared for, it will give you years of rugged, trouble-free performance.

2.1 INTENDED USE

This chainsaw is designed for cutting branches, trunks, logs and beams of a diameter determined by the cutting length of the guide bar. It is only designed to cut wood.

It is only to be used in an outdoor, domestic application by adults.

Do not use the chainsaw for any purpose not listed above.

This chainsaw is not to be used for professional tree services. It is not to be used by children or by persons not wearing adequate personal protective equipment and clothing.

2.2 RESIDUAL RISKS

Even with the intended use of the power tool, there is other risk which cannot be prevented.

According to the type and construction of the power tool, the following potential hazards might happen:

- Contact with exposed saw teeth of the saw chain (cutting hazards).
- Access to the rotating saw chain (cutting hazards).
- Unforeseen, abrupt movement of the guide bar (cutting hazards).
- Flung out of parts from the saw chain (cutting / injection hazards).
- Flung out of parts of the work piece.
- Inhalation of work piece particles.
- Skin contact with the fuel oil.
- Loss of hearing, if no ear protection is used during work.

3 GENERAL POWER TOOL SAFETY WARNINGS

▲ WARNING

Read all safety warnings and all instructions. *Failure to follow the warnings and instructions may result in electric shock, fire and/or serious injury.*

Save all warnings and instructions for future reference.

The term "power tool" in the warnings refers to your battery-operated (cordless) power tool.

3.1 WORK AREA SAFETY

- **Keep work area clean and well lit.** *Cluttered or dark areas invite accidents.*
- **Do not operate power tools in explosive atmospheres, such as in the presence of flammable liquids, gases or dust.** *Power tools create sparks which may ignite the dust or fumes.*
- **Keep children and bystanders away while operating a power tool.** *Distractions can cause you to lose control.*

3.2 ELECTRICAL SAFETY

- **Do not expose power tools to rain or wet conditions.** *Water entering a power tool will increase the risk of electric shock.*

3.3 PERSONAL SAFETY

- **Stay alert, watch what you are doing and use common sense when operating a power tool. Do not use a power tool while you are tired or under the influence of drugs, alcohol or medication.** *A lapse of attention while operating power tools may result in serious personal injury.*

- **Use personal protection. Always wear eye protection.** *Protective products such as dust mask, non-skid safety shoes, hard hat or hearing protection used appropriately will reduce personal injuries.*
- **Prevent unintentional starting. Ensure the switch is in the off position before connecting to power source and/or battery pack and when picking up or carrying the tool.** *Carrying power tools with your finger on the switch or energizing power tools that have the switch on invites accidents.*
- **Remove any adjusting key or wrench before turning the power tool on.** *A wrench or a key left attached to a rotating part of the power tool may result in personal injury.*
- **Do not over-reach. Keep proper footing and balance at all times.** *This enables better control of the power tool in unexpected situations.*
- **Dress properly. Do not wear loose clothing or jewellery. Keep your hair, clothing and gloves away from moving parts.** *Loose clothes, jewellery or long hair can be caught in moving parts.*
- **If devices are provided for the connection of dust extraction and collection facilities, ensure these are connected and properly used.** *Use of dust collection can reduce dust related hazards.*

3.4 POWER TOOL USE AND CARE

- **Do not force the power tool. Use the correct power tool for your application.** *The correct power tool will do the job better and safer at the rate for which it was designed.*
- **Do not use the power tool if the switch does not turn it on and off.** *Any power tool that cannot be controlled with the switch is dangerous and must be repaired.*
- **Disconnect the plug from the power source and/or the battery pack from the power tool before making any adjustments, changing accessories, or storing power tools.** *Such preventive safety measures reduce the risk of starting the power tool accidentally.*
- **Store idle power tools out of the reach of children and do not allow persons unfamiliar with the power tool or these instructions to operate the power tool.** *Power tools are dangerous in the hands of untrained users.*
- **Maintain power tools. Check for misalignment or binding of moving parts, breakage of parts and any other condition that may affect the power tool's operation. If damaged, have the power tool repaired before use.** *Many accidents are caused by poorly maintained power tools.*
- **Keep cutting tools sharp and clean.** *Properly maintained cutting tools with sharp cutting edges are less likely to bind and are easier to control.*

- **Use the power tool, accessories and tool bits etc. in accordance with these instructions, taking into account the working conditions and the work to be performed.** *Use of the power tool for operations different from those intended could result in a hazardous situation.*

3.5 BATTERY TOOL USE AND CARE

- **Recharge only with the charger specified by the manufacturer.** *A charger that is suitable for one type of battery pack may create a risk of fire when used with another battery pack.*
- **Use power tools only with specifically designated battery packs.** *Use of any other battery packs may create a risk of injury and fire.*
- **When battery pack is not in use, keep it away from other metal objects like paper clips, coins, keys, nails, screws, or other small metal objects that can make a connection from one terminal to another.** *Shorting the battery terminals together may cause burns or fire.*
- **Under abusive conditions, liquid may be ejected from the battery; avoid contact. If contact accidentally occurs, flush with plenty of soap and water. If liquid contacts eyes, immediately seek medical help.** *Liquid ejected from the battery may cause irritation or burns.*

3.6 SERVICE

- **Have your power tool serviced by a qualified repair person using only identical replacement parts.** *This will ensure that the safety of the power tool is maintained.*

4 CHAINSAW SAFETY WARNINGS

- **Keep all parts of the body away from the saw chain when the chainsaw is operating. Before you start the chainsaw, make sure the saw chain is not in contact with anything.** *A moment of inattention while operating chainsaws may cause entanglement of your clothing or body with the saw chain.*
- **Hold the power tool by insulated gripping surfaces only, because the saw chain may contact hidden wiring. Saw chains contacting a "live" wire may make exposed metal parts of the power tool "live" and could give the operator an electric shock.**
- **Always hold the chainsaw with your right hand at the rear handle and your left hand at the front handle.** *Holding the chainsaw with a reversed hand configuration increases the risk of personal injury and should never be done.*
- **Wear safety glasses and hearing protection. Further protective product for head, hands, legs and feet is recommended.** *Adequate protective clothing will*

reduce personal injury from flying debris or accidental contact with the saw chain.

- **Do not operate a chainsaw in a tree.** Operation of a chainsaw while up in a tree may result in personal injury.
- **Always keep proper footing and operate the chainsaw only when standing on fixed, secure and level surface.** Slippery or unstable surfaces such as ladders may cause loss of balance or control of the chainsaw.
- **When cutting a limb that is under tension, be alert of spring back.** When the tension in the wood fibres is released, the spring loaded limb may strike the operator and/or throw the chainsaw out of control.
- **Use extreme caution when cutting brush and saplings.** The slender material may catch the saw chain and be whipped toward you or pull you off balance.
- **Carry the chainsaw by the front handle with the chainsaw switched off and away from your body. When transporting or storing the chainsaw, always fit the guide bar cover.** Proper handling of the chainsaw will reduce the likelihood of accidental contact with the moving saw chain.
- **Follow instructions for lubricating, chain tensioning and changing accessories.** Improperly tensioned or lubricated chain may either break or increase the chance for kickback.
- **Keep handles dry, clean, and free from oil and grease.** Greasy, oily handles are slippery, causing loss of control.
- **Cut wood only. Do not use chainsaw for purposes not intended. For example: do not use chainsaw for cutting plastic, masonry or non-wood building materials.** Use of the chainsaw for operations other than intended could result in a hazardous situation.

5 PREVENT OPERATOR KICKBACK

Kickback may occur when the nose or tip of the guide bar touches an object, or when the wood closes in and pinches the saw chain in the cut.

Tip contact in some cases may cause a sudden reverse reaction, kicking the guide bar up and back towards the operator.

Pinching the saw chain along the top of the guide bar may push the guide bar rapidly back towards the operator.

Either of these reactions may cause you to lose control of the saw which could result in serious personal injury. Do not rely exclusively upon the safety devices built into your saw. As a chainsaw user, you should take several steps to keep your cutting jobs free from accident or injury.

Kickback is the result of tool misuse and/or incorrect operating procedures or conditions and can be avoided by taking proper precautions as given below:

- **Maintain a firm grip, with thumbs and fingers encircling the chainsaw handles, with both hands on the saw and your body and arm positioned to allow you to resist kickback forces.**

Kickback forces can be controlled by the operator, if proper precautions are taken. Do not let go of the chainsaw.

- **Do not overreach and do not cut above shoulder height.** This helps prevent unintended tip contact and enables better control of the chainsaw in unexpected situations.
- **Only use replacement bars and chains specified by the manufacturer.** Incorrect replacement bars and chains may cause chain breakage and/or kickback.
- **Follow the manufacturer's sharpening and maintenance instructions for the saw chain.** Decreasing the depth gauge height can lead to increased kickback.

6 ADDITIONAL WARNINGS

It has been reported that vibrations from hand-held tools may contribute to a condition called Raynaud's Syndrome in certain individuals. Symptoms may include tingling, numbness and blanching of the fingers, usually apparent upon exposure to cold and dampness. Diet, smoking and work practices are all thought to contribute to the development of these symptoms. It is presently unknown what, if any, vibrations or extent of exposure may contribute to the condition. There are measures that can be taken by the operator to possibly reduce the effects of vibration:

- Keep your body warm in cold weather. When operating the unit, wear gloves to keep the hands and wrists warm. It is reported that cold weather is a major factor contributing to Raynaud's Syndrome.
- After each period of operation, exercise to increase blood circulation.

Take frequent work breaks. Limit the amount of exposure per day.

If you experience any of the symptoms of this condition, immediately discontinue use and see your physician about these symptoms.

- The recommended cutting capacity of this chainsaw is 153 mm and smaller to prolong the life of the tool and allow for safest operation.
- Cutting logs with a diameter larger than this will cause excess wear on your tool. Logs with a maximum diameter of 229 mm can be cut, but should only be done so rarely and with caution.
- The metal bucking spikes are designed to assist cutting. When forced against the log while cutting it provides a more stable pivot point.

- Any chainsaw is potentially lethal if used inappropriately. It is strongly suggested that you seek professional training in the safety and use of this tool.

7 PROPOSITION 65

▲ WARNING

This product contains a chemical known to the state of California to cause cancer, birth defects or other reproductive harm. Some dust created by power sanding, sawing, grinding, drilling, and other construction activities contains chemicals known to cause cancer, birth defects or other reproductive harm. Some examples of these chemicals are:

- Lead from lead-based paints;
- Crystalline silica from bricks and cement and other masonry products;
- Arsenic and chromium from chemically treated lumber.

Your risk of exposure to these chemicals varies depending on how often you do this type of work. To reduce your exposure to these chemicals, work in a well-ventilated area, and work with approved safety equipment, such as dust masks that are specially designed to filter out microscopic particles.

Save these instructions.

8 SYMBOLS ON THE PRODUCT

Some of the following symbols may be used on this product. Please study them and learn their meaning. Proper interpretation of these symbols will allow you to operate the product better and safer.

Symbol	Explanation
	Direct current-Type or characteristic of current.
	Precautions that involve your safety.
	Read and understand all instructions before operating the product, and follow all warnings and safety instructions.
	Wear eye and ear protection.
	Do not expose the product to rain or moist conditions.
	Avoid bar nose contact.

Symbol	Explanation
	Hold with both hands.
	DANGER! Be careful with kick-backs.
	Wear non-slip, heavy duty gloves.
	Keep all bystanders at least 15m away.

9 RISK LEVELS

The following signal words and meanings are intended to explain the levels of risk associated with this product.

SYMBOL	SIGNAL	MEANING
	DANGER	Indicates an imminently hazardous situation, which, if not avoided, will result in death or serious injury.
	WARNING	Indicates a potentially hazardous situation, which, if not avoided, could result in death or serious injury.
	CAUTION	Indicates a potentially hazardous situation, which, if not avoided, may result in minor or moderate injury.
	CAUTION	(Without Safety Alert Symbol) Indicates a situation that may result in property damage.

10 RECYCLE

	Separate collection. You must not discard with usual household waste. If it is necessary to replace the machine, or if it is no more use to you, do not discard it with household waste. Make this machine available for separate collection.
	Separate collection of used machine and packaging let you recycle materials and use them again. Use of the recycled materials helps prevent environmental pollution and decreases the requirements for raw materials.



At the end of their useful life, discard batteries with a precaution for our environment. The battery contains material that is dangerous to you and the environment. You must remove and discard these materials separately at a equipment that accepts lithium-ion batteries.

11 INSTALLATION

▲ WARNING

Do not change or make accessories that are not recommended by the manufacturer.

▲ WARNING

Do not put in the battery pack until you assemble all the parts.

11.1 UNPACK THE MACHINE

▲ WARNING

Make sure that you correctly assemble the machine before use.

▲ WARNING

- If the parts have damage, do not use the machine.
- If you do not have all the parts, do not operate the machine.
- If the parts are damaged or missing, speak to the service center.

1. Open the package.
2. Read the documentation in the box.
3. Remove all the unassembled parts from the box.
4. Remove the machine from the box.
5. Discard the box and package in compliance with local regulations.

11.2 ASSEMBLE THE GUIDE BAR AND THE CHAIN

Figure 1-7.

1. Remove the chain cover nuts with the wrench.
2. Remove the chain cover.
3. Put the chain drive links into the bar groove.
4. Put the chain cutters in the direction of the chain operation.
5. Put the chain in position and make sure that the loop is behind the guide bar.
6. Hold the chain and bar.
7. Put the chain loop around the sprocket.

8. Make sure the chain tension pin hole on the guide bar fits correctly with the bolt.
9. Install the chain cover.
10. Tighten the chain. Refer to *Adjust the chain tension*.
11. Tighten the nuts when the chain is well tensioned.

i NOTE

If you start the chain saw with a new chain, have a test for 2-3 minutes. A new chain gets longer after the first use, examine the tension and tighten the chain if necessary.

11.3 INSTALL THE BATTERY PACK

Figure 2

▲ WARNING

- If the battery pack or charger is damaged, replace the battery pack or the charger.
- Stop the machine and wait until the motor stops before you install or remove the battery pack.
- Read, know, and do the instructions in the battery and charger manual.

1. Align the lift ribs on the battery pack with the grooves in the battery compartment.
2. Push the battery pack into the battery compartment until the battery pack locks into place.
3. When you hear a click, the battery pack is installed.

11.4 REMOVE THE BATTERY PACK

Figure 2

1. Push and hold the battery release button.
2. Remove the battery pack from the machine.

12 OPERATION

i NOTE

Remove the battery pack and keep hands clear of the lock out button when you move the machine.

i IMPORTANT

Examine the chain tension before each use.

12.1 EXAMINE THE CHAIN LUBRICATION

i NOTE

Do not use the machine without sufficient chain lubrication.

Figure 1

1. Examine the lubricant level of the machine from the oil indicator.
2. Add the lubricant if it is necessary.

12.2 HOLD THE MACHINE

Figure 8

1. Hold the chainsaw with your right hand at the rear handle and left hand at the front handle.
2. Hold the handles with the thumbs and the fingers around them.
3. Make sure that your left hand holds the front handle and your thumb is below the handle.

12.3 START THE MACHINE

Figure 1.

1. Press the lock-out button.
2. Press the trigger while you hold the lock-out button.
3. Release the lock-out button.

i IMPORTANT

The chain brake must be engaged when the chain saw is started. Activate the brake by moving the front hand guard forwards.

12.4 STOP THE MACHINE

Figure 1.

1. Release the trigger to stop the machine.

12.5 OPERATE THE CHAIN BRAKE

▲ WARNING

Make sure that your hands are on the handles at all times.

Figure 22

1. Start the machine.
2. Turn your left hand around the front handle to engage the chain brake.
3. Pull the handle guard / chain brake toward the front handle to disengage the chain brake.
4. Call approved service center for repair before use if
 - The chain brake does not stop the chain immediately.
 - The chain brake does not stay in the disengaged position without aid.

12.6 FELL A TREE

Figure 9-10.

Recommendation that the first-time user should, as a minimum practice, cutting logs on a saw-horse or cradle.

Before you start to fell a tree, make sure that

- The minimum distance between the areas of bucking and felling is two times the height of the tree.
- The operation does not
 - Cause injury to personnel.
 - Hit utility lines. If the tree touches utility lines, immediately tell the utility company.
 - Cause losses in property.
- The user is not in the dangerous area, for example, the downhill side of the area.
- The escape paths that extend back and diagonally behind the felling direction are clear. The felling direction is controlled by
 - The natural lean of the tree.
 - The location of larger branches.
 - The wind direction.
- There are no dirt, stones, loose bark, nails, and staples on the tree.

1. **Make a lower level notching cut. Make sure that this cut is**

- a) 1/3 wide of the diameter of the tree.
- b) Perpendicular to the felling direction.

▲ CAUTION

The level notching cut helps prevent pinching of the saw chain or the guide bar when you make the second notch.

2. **Make the felling cut no less than 50 mm and higher than the level notching cut. Make sure that this cut**

- a) Is parallel to the level notching cut.
- b) Keeps sufficient wood to become a hinge which prevents the tree from twisting and felling to the wrong direction.

When the felling cut gets near the hinge, the tree falls. Stop the felling cut if the tree

- Does not fall to the correct direction or
- Move rearward and forward and stuck the chain.

3. **Use felling wedge to open the cut and let the tree fall to the correct direction.**

4. **When the tree starts to fall,**

- a) Remove the chainsaw from the cut.
- b) Stop the machine.
- c) Put the machine down.
- d) Go away through the escape path. Be careful with overhead branches and your footing.

12.7 LIMB A TREE

Figure 11.

Limbing is to remove the branches from a fallen tree.

1. Keep the larger lower branches to hold the log off the ground.
2. Remove the small limbs in one cut.
3. Limb the branches with tension from the bottom to up.
4. Keep the larger lower branches as a support until the log is limbed.

12.8 BUCK A LOG

Figure 12-15.

Bucking is to cut a log into lengths. Keep your body balance. If it is possible, lift the log and hold it with branches, logs or chock.

- When the log is held along the full length, cut it from the top.
 - When the log is held on one end,
 1. Cut the first time 1/3 of the diameter from the bottom.
 2. Cut the second time from the top to complete the bucking.
- When the log is held on two ends,
 1. Cut the first time 1/3 of the diameter from the top.
 2. Cut the second time lower 2/3 from the bottom to complete the bucking.
- When the log is on a slope,
 1. Stand on the uphill side.
 2. Control the chainsaw.
 3. Hold the handles tightly.
 4. Release the cut pressure near the end of the cut.

i NOTE

Do not let the chain touch the ground.

When bucking is complete,

1. Release the trigger.
2. Stop the chainsaw fully.
3. Move the chainsaw from tree to tree.

13 MAINTENANCE

▲ CAUTION

Do not let brake fluids, gasoline, petroleum-based materials touch the plastic parts. Chemicals can cause damage to the plastic, and make the plastic unserviceable.

▲ CAUTION

Do not use strong solvents or detergents on the plastic housing or components.

▲ WARNING

Remove the battery pack from the machine before maintenance.

13.1 ADJUST THE CHAIN TENSION

Figure 2-7.

The more you use a chain the longer it becomes. It is therefore important to adjust the chain regularly to take up the slack.

Tension the chain as tightly as possible, but not so tight that you cannot pull it round freely by hand.

▲ WARNING

A slack chain may jump off and cause serious or even fatal injury.

▲ CAUTION

Wear protective gloves if you touch the chain, bar or areas around the chain.

1. Stop the machine.
2. Loosen the lock nuts with the wrench.

i NOTE

It is not necessary to remove the chain cover to adjust the chain tension.

3. Turn the chain adjustment screw clockwise to increase the chain tension.
4. Turn the chain adjustment screw counterclockwise to decrease the chain tension.
5. When the chain is at the wanted tension, tighten the lock nuts.

13.2 SHARPEN THE CUTTERS

Sharpen the cutters if it is not easy for the chain to go into the wood.

i NOTE

We recommend a service center which has the electric sharpener, does the high level or important sharpening work.

Figure 16-19.

1. Tensioning chain.
2. Sharpen the cutters corner with a 5/32 in. (4 mm) diameter round file .

- Sharpen the top plate, side plate and depth gauge with a flat file.
- File all the cutters to the specified angles and the same length.

i NOTE

During the process,

- Keep the file flat with the surface to be sharpened.
- Use the midpoint of the file bar.
- Use light but firm pressure when sharpening the surface.
- Lift the file away on each return stroke.
- Sharpen the cutters on one side and then move to the other side.

Replace the chain if:

- The length of the cutting edges is less than 5 mm.
- There is too much space between the drive links and the rivets.
- The cut speed is slow
- Sharpening the chain many times but it does not increase the cutting speed. The chain is worn.

13.3 GUIDE BAR MAINTENANCE

Figure 20-21.

i NOTE

Make sure that it is turned over periodically to keep symmetrical wear on the bar.

- Lubricate the bearings on the nose sprocket (if present) with the syringe (not included).
- Clean the bar groove with the scraping hook (not included).
- Clean the lubrication holes.
- Remove burr from the edges and level the cutters with a flat file.

Replace the bar if:

- the groove is not fit with the height of the drive links (which must never touch the bottom).
- the inside of the guide bar is worn and make the chain lean to one side.

13.4 ADD THE BAR AND CHAIN LUBRICANT

Examine the amount of oil in the machine. If the oil level is low, add the bar and chain lubricant as follows.

i IMPORTANT

Use bar and chain lubricant that is only for chains and chain oilers.

i NOTE

The machine comes from the factory without bar and chain lubricant.

- Loosen and remove the cap from the oil tank.
- Put the oil into the oil tank.
- Monitor the oil indicator to make sure that no dirt in the oil tank while you add the oil.
- Put the oil cap on.
- Tighten the oil cap.
- The whole oil tank can use for 20- 40 minutes.

i IMPORTANT

Do not use dirty, used or contaminated oil. Damage can occur to the bar or chain.

14 TRANSPORTATION AND STORAGE

Before you move the machine, always

- Remove the battery pack from the machine.
- Keep hands clear of the lock-out button.
- Put the scabbard on the guide bar and the chain.

Before you put the machine into storage, always

- Remove the battery pack from the machine.
- Clean all unwanted material from the machine.
- Make sure that the storage area is
 - Not available to children.
 - Away from agents which can cause corrosion, such as garden chemicals and de-icing salts.

15 TROUBLESHOOTING

Problem	Possible cause	Solution
The guide bar and the chain become hot and release smoke.	The chain is too tight.	Adjust the chain tension.
	The oil tank is empty.	Add lubricants.
	Contamination causes a blockage of the discharge port.	Remove the guide bar and clean the discharge port.
	Contamination causes a blockage of the oil tank.	Clean the oil tank. Add new lubricant.
	Contamination causes a blockage of the guide bar and the oil tank cap.	Clean the guide bar and the oil tank cap.
The motor runs but the chain does not rotate.	Contamination causes a blockage of the sprocket or guide wheels.	Clean the sprocket and the guide wheels.
	The chain is too tight.	Adjust the chain tension.
	The guide bar and the chain are damaged.	Replace the guide bar and the chain if it is necessary.
	The motor is damaged.	<ol style="list-style-type: none"> 1. Remove the battery pack from the machine. 2. Remove the guide bar cover. 3. Remove the bar and saw chain. 4. Clean the machine. 5. Install battery pack and operate the machine.
		If the sprocket rotates, it means the motor works properly. If not, call service center.

Problem	Possible cause	Solution
The motor runs and the chain rotates, but the chain does not cut.	The chain is blunt.	Sharpen or replace the saw chain.
	The chain is in the incorrect direction.	Turn the chain loop to the other direction.
	The chain is tight or loose.	Adjust the chain tension.
The machine does not start.	The chain brake is engaged.	Pull the chain brake in the direction of the user to disengage it.
	The machine and battery are not connected correctly.	Make sure that the battery release button clicks when you install the battery pack.
	The battery level is low.	Charge the battery pack.
	The lock out button and the trigger are not pushed at the same time.	<ol style="list-style-type: none"> 1. Push the lock-out button and hold it. 2. Push the trigger to start the machine.
	The battery is too hot or too cold.	Refer to battery and charger manual.

Problem	Possible cause	Solution
The motor runs, but the chain does not cut correctly, or the motor stops after around 3 seconds.	The machine is in the protection mode to protect the PCB.	Release the trigger and start the machine again. Do not force the machine to cut.
	The battery is not charged.	Charge the battery. Refer to the battery and charger manual for correct charging procedures.
	The chain is not lubricated.	Lubricate the chain to decrease the friction. Do not let the guide bar and the chain operate without sufficient lubricant.
	Incorrect battery storage temperature	Cool the battery pack until it decreases to the ambient temperature.

16 TECHNICAL DATA

Voltage	48 V DC
No load speed	20 m/s
Guide bar length	400 mm
Chain pitch	3/8" LP (9.5 mm)
Chain gauge	.043" (1.1 mm)
Drive links	56
Chain oil capacity	200 ml
Weight (without battery pack)	3.8 kg
Chain	90PX056X
Guide bar	164MLEA041

17 LIMITED WARRANTY



Greenworks hereby warrants this product, to the original purchaser with proof of purchase, for a period of four (4) years against defects in materials, parts or workmanship. Greenworks, at its own discretion will repair or replace any and all parts found to be defective, through normal use, free of charge to the customer. This warranty is valid only for units which have been used for personal use that have not been hired or rented for industrial/commercial use, and that have been maintained in accordance with the instructions in the owners' manual supplied with the product from new.

ITEMS NOT COVERED BY WARRANTY:

1. Any part that has become inoperative due to misuse, commercial use, abuse, neglect, accident, improper maintenance, or alteration; or
2. The unit, if it has not been operated and/or maintained in accordance with the owner's manual; or
3. Normal wear, except as noted below;
4. Routine maintenance items such as lubricants, blade sharpening;
5. Normal deterioration of the exterior finish due to use or exposure.

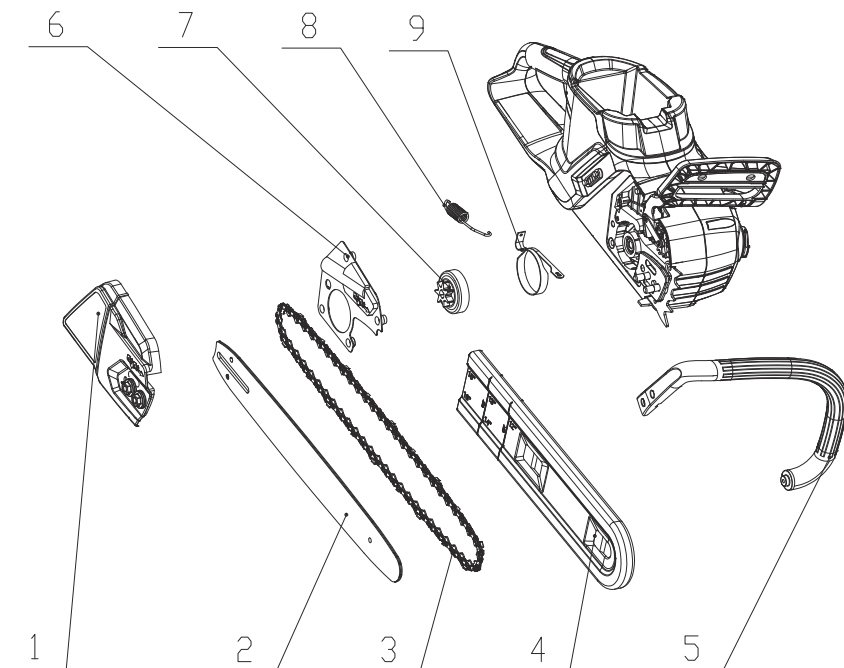
HELPLINE:

Warranty service is available by calling our toll-free helpline, at 1-833-493-5483.

TRANSPORTATION CHARGES:

Transportation charges for the movement of any power equipment unit or attachment are the responsibility of the purchaser. It is the purchaser's responsibility to pay transportation charges for any part submitted for replacement under this warranty unless such return is requested in writing by Greenworks.

18 EXPLODED VIEW



No	Part No.	Qty	Description	No	Part No.	Qty	Description
1	341202035	1	Side cover	6	341092035	1	Middle cover
2	31100590LB	1	Bar	7	339012028A	1	Brake disc
3	31101590	1	Chain	8	329012028	1	Brake tension spring
4	341182031E	1	Scabbard	9	339022028	1	Brake steel strip
5	341032035	1	Assiatant handle				

Greenworks Tools
 PO Box 1238
 Mooresville, NC 28115