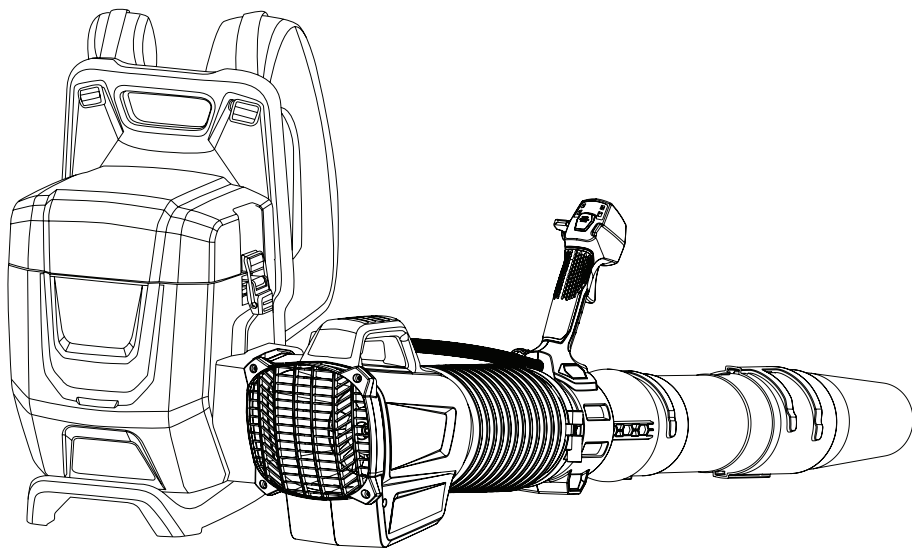

GREENWORKS

COMMERCIAL

82V Dual Port Backpack Blower
GBB 700



Owner's Manual
TOLL-FREE HELPLINE: 1-855-470-4267
www.GreenworksCommercial.com

 Read all safety rules and instructions carefully before operating this tool.

CONTENTS

Contents	2
Product Specifications	2
Important Safety Instructions.....	3
Symbols	6
Know Your Blower.....	8
Assembly	10
Operation.....	16
Environmentally Safe Battery Disposal.....	19
Troubleshooting.....	20
Limited Warranty.....	21
Exploded View	23
Parts List.....	24

PRODUCT SPECIFICATIONS

82V DUAL PORT BACKPACK BLOWER

Type	Cordless, battery-operated
Motor	Brushless
Voltage.....	82V Lithium -Ion
Air Volume	690 CFM
Air Velocity.....	165 MPH
Turbo Button	Yes
Cruise Control.....	Yes
Adjustable Handle.....	Yes
Adjustable Tube	Yes
Weight (Without Battery).....	15.8 lbs. (7.16 kg)



IMPORTANT SAFETY INSTRUCTIONS

READ ALL INSTRUCTIONS BEFORE USING (THIS POWER TOOL)

⚠ W A R N I N G

Read and understand all instructions before using this product. Failure to follow all instructions listed below may result in electric shock, fire, and/or serious personal injury. When using an electrical appliance, basic precautions should always be followed, including the following:

1. BEFORE USING

WARNING: To reduce the risk of fire, electric shock, or injury:

- **Use extra care when cleaning on stairs.**
- **Do not use on wet surfaces.**
- **Do not allow to be used as a toy.** Close attention is necessary when used by or near children.
- **Use only as described in this manual.** Use only manufacturer's recommended attachments.
- **Keep hair, loose clothing, fingers and all body parts away from openings and moving parts.**
- **Store indoors.** Do not expose to rain or water. Avoid direct sunshine.

2. WHEN USING THIS BLOWER

- **Do not use to pick up flammable or combustible liquids, such as gasoline, or use in areas where they may be present.**
 - **To reduce the risk of electric shock, the battery charger has a polarized plug (one blade is wider than the other) and will require the use of a polarized extension cord.** The plug will only fit into a polarized extension cord one way. If the plug does not fit fully into the extension cord, reverse the plug. If the plug still does not fit, obtain a correct polarized extension cord. A polarized extension cord will require the use of a polarized wall outlet. This plug will only fit into the polarized wall outlet one way. If the plug does not fit fully into the wall outlet, reverse the plug. If the plug still does not fit, contact a qualified electrician to install the proper wall outlet. Do not change the equipment plug, extension cord receptacle, or extension cord plug in any way.
 - **Never allow children to operate the equipment.** Never allow adults to operate the equipment without proper instruction.
 - **Wear eye protection that is marked to comply with ANSI Z87.1 when operating this product.**
 - **Do not handle charger, including charger plug, and charger terminals with wet hands.**
 - **Do not charge the unit outdoors.**
 - **Wear heavy long pants, boots, and gloves.** Avoid loose garments or jewelry that could get caught in moving parts of the machine or its motor.
 - **Do not force the tool.** Use the correct tool for your application. The correct tool will work more efficiently and safely when it is used at the rate that it was designed to work at.
-

IMPORTANT SAFETY INSTRUCTIONS

- **Do not incinerate the appliance even if it is severely damaged.** The batteries can explode in a fire.
- **Do not leave appliance when plugged in/before removing the battery.**
- **Do not operate the equipment while barefoot or when wearing sandals or similar lightweight footwear.** Wear protective footwear that will protect your feet and improve your footing on slippery surfaces.
- **Secure long hair so it is above shoulder level to prevent entanglement in any moving parts.**
- **Keep firm footing and balance.** Do not overreach. Overreaching can result in loss of balance.
- **Do not allow children or untrained individuals to use this unit.**
- **Do not use the tool if the switch does not turn it on or off.** Any tool that cannot be controlled with the switch is dangerous, and must be repaired.
- **Keep all bystanders, children, and pets at least 50 ft. (15 m) away.**
- **Use only with Greenworks Commercial battery: GL 500.**
- **Use only with Greenworks Commercial Chargers: GC 400.**
- **Do not operate this unit when you are tired, ill, or under the influence of alcohol, drugs, or medication.**
- **Do not operate in poor lighting.**
- **Do not pull or carry by the cord.**
- **Keep all parts of your body away from any moving parts and all hot surfaces of the unit.**
- **Do not put any object into the openings.** Do not use with any opening blocked. Keep openings free of dust, lint, hair, and anything that may reduce air flow.
- **Check the work area before each use.** Remove all objects that can be thrown or become entangled in the machine, such as rocks, broken glass, nails, wire, or string.
- **Use only identical manufacturer's replacement parts and accessories.** Use of any other parts may create a hazard or cause product damage.

3. FOR BATTERY-OPERATED EQUIPMENT:

- **Prevent unintentional starting.** Ensure the switch is in the off-position before connecting to battery pack, picking up or carrying the equipment. Carrying the equipment with your finger on the switch or energizing equipment that have the switch on invites accidents.
- **Turn off all the controls before removing the battery.**
- **Disconnect the battery pack from the equipment before making any adjustments, changing accessories, or storing equipment.** Such preventive safety measures reduce the risk of starting the equipment accidentally.
- **Recharge only with the charger specified by the manufacturer.** A charger that is suitable for one type of battery pack may create a risk of fire when used with another battery pack.
- **Use only the charger supplied by the manufacturer to recharge.**

IMPORTANT SAFETY INSTRUCTIONS

- **Use equipment only with specifically designated battery packs.** Use of any other battery packs may create a risk of injury and fire.
- **When battery pack is not in use, keep it away from other metal objects like paper clips, coins, keys, nails, screws or other small metal objects that can make a connection from one terminal to another.**
- **Shorting the battery terminals together may cause burns or a fire.**
- **Under abusive conditions, liquid may be ejected from the battery; avoid contact.** If contact accidentally occurs, flush with water. If liquid contacts eyes, additionally seek medical help. Liquid ejected from the battery may cause irritation or burns.
- **Do not use a battery pack or equipment that is damaged or modified.** Damaged or modified batteries may exhibit unpredictable behavior resulting in fire, explosion or risk of injury.
- **Do not expose a battery pack or equipment to fire or excessive temperature.** Exposure to fire or temperature above 265°F (130°C) may cause an explosion.
- **Have servicing performed by a qualified repair person using only identical replacement parts.** This will ensure that the safety of the product is maintained.

4. CHILD SAFETY

Tragic accidents can occur if the operator is not aware of the presence of children.

- Keep children out of the working area and under the watchful care of a responsible adult.
- Do not allow children under the age of 14 to operate this blower. Children who are 14 years of age and older must read and understand the operating instructions and safety rules in this manual and must be trained and supervised by a parent.
- Stay alert, and turn the blower off if a child or any other person enters the working area.
- Use extreme care when approaching blind corners, doorways, shrubs, trees, or other objects that may obscure your view of a child who may run into the path of the blower.

▲ WARNING (PROPOSITION 65)

This product contains a chemical known to the state of California to cause cancer, birth defects or other reproductive harm.











Some dust created by power sanding, sawing, grinding, drilling, and other construction activities contains chemicals known to cause cancer, birth defects or other reproductive harm. Some examples of these chemicals are:

- Lead from lead-based paints
- Crystalline silica from bricks and cement and other masonry products, and
- Arsenic and chromium from chemically treated lumber.

Your risk of exposure to these chemicals varies depending on how often you do this type of work. To reduce your exposure to these chemicals, work in a well-ventilated area, and work with approved safety equipment, such as dust masks that are specially designed to filter out microscopic particles.




SYMBOLS

Some of the following symbols may be used on this product. Please study them and learn their meaning. Proper interpretation of these symbols will allow you to operate the product better and safer.

SYMBOL	NAME	DESIGNATION/EXPLANATION
V	Volts	Voltage
A	Amperes	Current
Hz	Hertz	Frequency (cycles per second)
W	Watts	Power
min	Minutes	Time
~	Alternating Current	Type of current
≡	Direct Current	Type or a characteristic of current
/min	Per Minute	Revolutions, strokes, surface speed, orbits etc., per minute
	Wet Conditions Alert	Do not expose to rain or use in damp locations
	Read The Operator's Manual	To reduce the risk of injury user must read and understand operator's manual before using this product.
	Eye Protection	Always wear eye protection with side shields marked to comply with ANSI Z87.1 when operating this equipment.
	Wear ear protection	Wear ear protection when operating this equipment.
	Safety Alert	Precautions that involve your safety.
	Long Hair	Failure to keep long hair away from the air inlet could result in personal injury.
	Loose Clothing	Failure to keep loose clothing from being drawn into air intake could result in personal injury.
	Keep Bystanders Away	Keep all bystanders at least 50 ft. away.
	Blower Tubes	Do not operate without tubes in place.
	Impeller Blades	Rotating impeller blades can cause severe injury.

SYMBOLS

The following signal words and meanings are intended to explain the levels of risk associated with this product.

SYMBOL	SIGNAL	MEANING
	DANGER	Indicates an imminently hazardous situation, which, if not avoided, will result in death or serious injury.
	WARNING	Indicates a potentially hazardous situation, which, if not avoided, could result in death or serious injury.
	CAUTION	Indicates a potentially hazardous situation, which, if not avoided, may result in minor or moderate injury.
	CAUTION	(Without Safety Alert Symbol) Indicates a situation that may result in property damage.

SERVICE

Servicing requires extreme care and knowledge and should be performed only by a qualified service technician. For service we suggest you return the product to your nearest AUTHORIZED SERVICE CENTER for repair. When servicing, use only identical replacement parts.

W A R N I N G

To avoid serious personal injury, do not attempt to use this product until you have read this Owner's Manual thoroughly and understand it completely. If you do not understand the warnings and instructions in this Owner's Manual, do not use this product. Call the Toll-free Helpline (1-855-470-4267) for assistance.

W A R N I N G



The operation of any power tool can result in foreign objects being thrown into your eyes, which can result in severe eye damage. Before beginning power tool operation, always wear safety goggles or safety glasses with side shields and, when needed, a full face shield. We recommend Wide Vision Safety Mask for use over eyeglasses or standard safety glasses with side shields. Always use eye protection which is marked to comply with ANSI Z87.1.

SAVE THESE INSTRUCTIONS

KNOW YOUR BLOWER

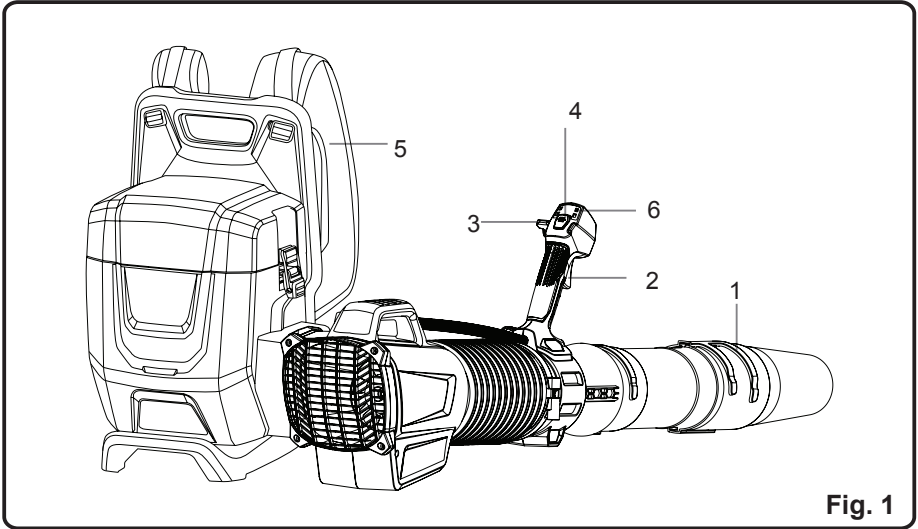


Fig. 1

KNOW YOUR BLOWER (See Fig.1)

The safe use of this product requires an understanding of the features on the product and the information in the operator's manual. Before use of this product, familiarize yourself with all operating features and safety rules.

1. BLOWER TUBE

The blower tube can be installed onto the blower without additional tools.

2. TRIGGER

Starts and Stops the flow of air.

3. CRUISE CONTROL LEVER

Press down on the cruise control lever to engage and lock the trigger. Pull up on the cruise control lever to release and disengage the trigger.

4. TURBO BUTTON

Press the turbo button to run at peak performance. Release the turbo button to run at normal speed.

5. HARNESS

A well adjusted backpack blower and harness makes work easier. Adjust the harness to give you the best working stance. Adjust the side straps so the weight is equally distributed across your shoulders.

6. BATTERY LIFE INDICATOR

This is located on the blower handle. There are 4 green LED lights, where each one represents 25% of battery life. This calculates the estimated remaining battery life of one battery. If one battery is depleted, the machine will stop working, and the LED lights on the trigger handle will flash. On this occasion, please release the trigger, the other battery can be used once the trigger pressed again.

KNOW YOUR BLOWER

The recommended ambient temperature range:

Item	Temperature
Blower Storage Temperature Range	-4 °F (-20 °C) ~ 158 °F (70 °C)
Blower Operation Temperature Range	-4 °F (-20 °C) ~ 104 °F (40 °C)
Battery Charging Temperature Range	39°F (4°C) ~ 104 °F (40 °C)
Charger Operation Temperature Range	39°F (4°C) ~ 104 °F (40 °C)
Battery Storage Temperature Range	1 year 32°F (0°C) ~ 73 °F (23 °C)
	3 months 32°F (0°C) ~ 113 °F (45°C)
	1 month 32°F (0°C) ~ 140 °F (60 °C)
Battery Discharging temperature Range	-4 °F (-20 °C) ~ 113 °F (45°C)


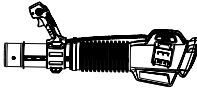
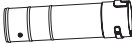
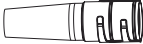

ASSEMBLY

UNPACKING

This product requires assembly.

- Carefully remove the product and any accessories from the box. Make sure that all items listed in the package contents section are included.
- Inspect the product carefully to make sure no breakage or damage occurred during shipping.
- Do not discard the packing material until you have carefully inspected and satisfactorily operated the product.
- If any parts are damaged or missing, please call (1-855-470-4267) for assistance.

PACKING LIST

PART NAME	FIGURE	QTY
Backpack Assembly		1
Blower Tube Assembly		1
Middle Blower Tube		1
Front Blower Tube		1
Operator's Manual		1

▲ WARNING

If any parts are damaged or missing, do not operate this product until the parts are replaced. Using a product with damaged or missing parts could result in serious personal injury.

▲ WARNING

Do not attempt to modify this product or create accessories not recommended for use with this product. Any such alteration or modification is misuse and could result in a hazardous condition leading to possible serious personal injury.

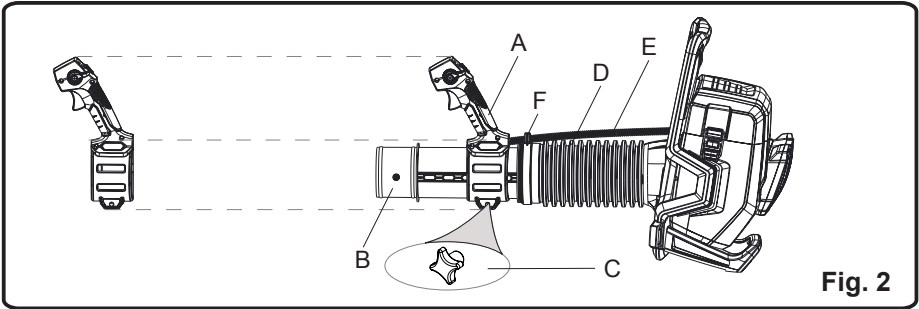
▲ WARNING

Do not insert the battery until assembly is complete. Failure to comply could result in accidental starting and possible serious personal injury.

ASSEMBLY

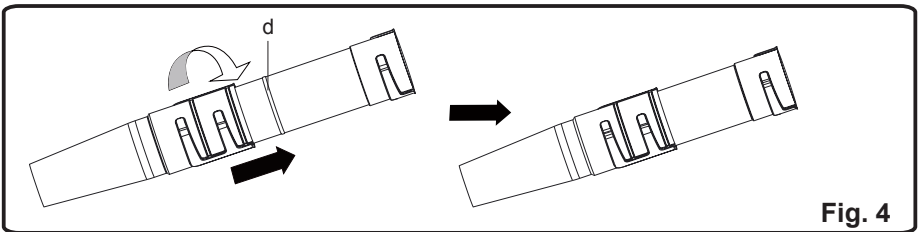
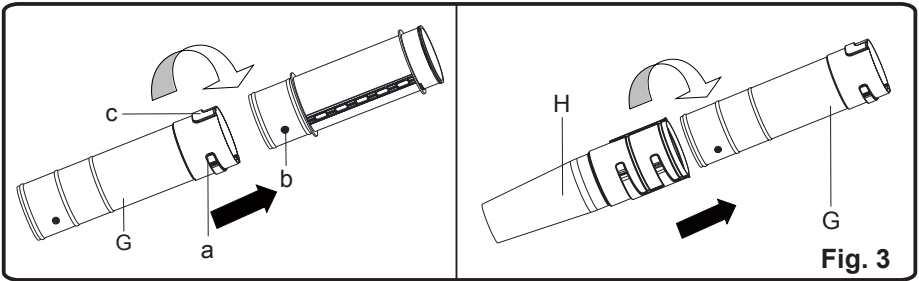
ASSEMBLING THE TRIGGER HANDLE (See Fig.2)

1. Slide trigger handle (A) on the front tube (B).
2. Move trigger handle to desired location before fully tightening. Use supplied knob (C) to tighten trigger handle to the blower tube.
3. Place the cord (E) in the cord retainer (F).



ASSEMBLING THE BLOWER TUBE (See Fig.3-Fig.4)

1. The flexible tube (D) is connected to the fan outlet tube from the manufacturer.
2. Align either of the grooves (a) in tube (G) with the tabs (b) on tube (B). Turn the tube in the direction of the arrow until both of the tabs slide into the lock positions (c).
3. Connect tube (H) to tube (G). For shorter tube application, turn rear tube counterclockwise and move tube to upper position (d).

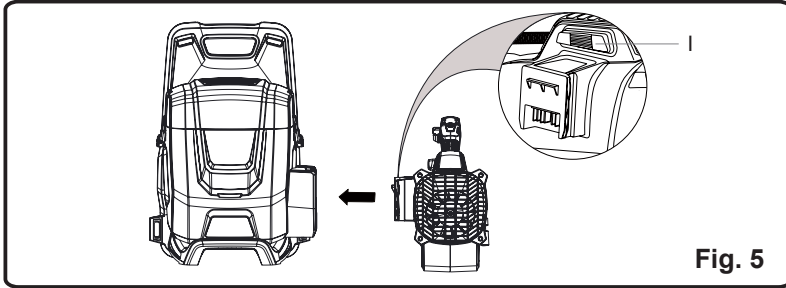


ASSEMBLY

ASSEMBLING THE TUBE ASSEMBLY (See Fig.5)

The tube assembly can be disconnected from the backpack assembly.

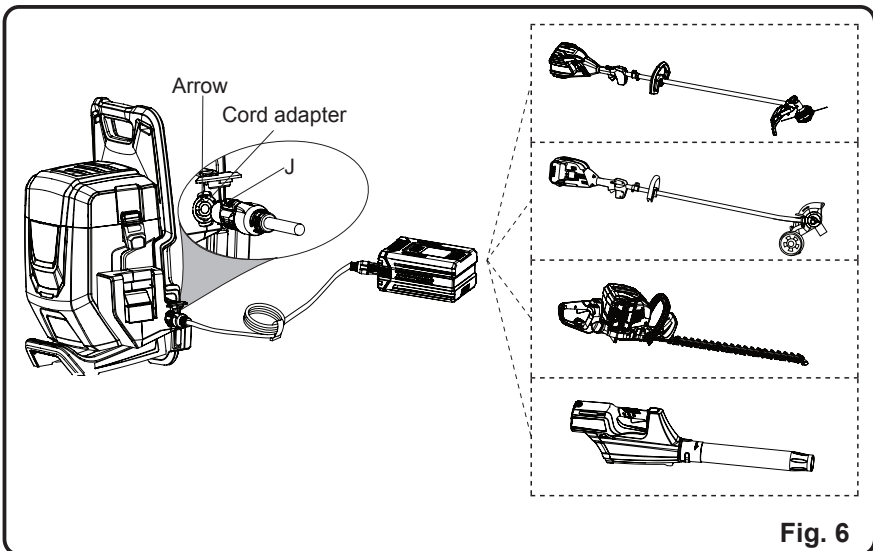
1. Press the blower release button (I) and pull up to disconnect the tube assembly from the backpack assembly.



BACK PACK ASSEMBLY APPLICATION (See Fig.6)

The backpack assembly is designed with a cord adapter (sold separately) so that other 82V products can be connected.

1. Align the plug release button (J) with the arrow on the socket
2. Insert the plug into the cord adapter, and turn clockwise until the release button engages.
3. To disengage the plug, pull the plug release button back (J) and turn counterclockwise.



ASSEMBLY

REMOVING THE DUST COVER (See Fig 7.)

1. Unlock the latches on both sides to release the dust cover.
2. Remove the dust cover to expose the battery compartment.

NOTE: Please keep the battery cap installed to prevent entry of dust or water.

BATTERY

IMPORTANT! The battery pack is not charged when it is purchased. Before using the blower for the first time, place the battery pack in the battery charger and charge. Make sure to read all safety precautions, and follow the instructions in the Battery Charger section.

To Remove (See Fig 7.)

1. Press and hold the battery release button (K) with firm grip.
2. Grasp the backpack firmly. Pull the battery pack out of the compartment.

NOTE: The blower can hold two batteries, but only one of the batteries works during operation.

To Install (See Fig 7.)

1. Align the battery pack with the cavity in the backpack housing.
2. Insert the battery pack into the backpack housing.
3. Grasp the backpack firmly.
4. Push the battery pack into the backpack until it locks into place. You will hear a click once it is locked into place.
5. Do not use force when inserting the battery pack. It should slide into place and click.

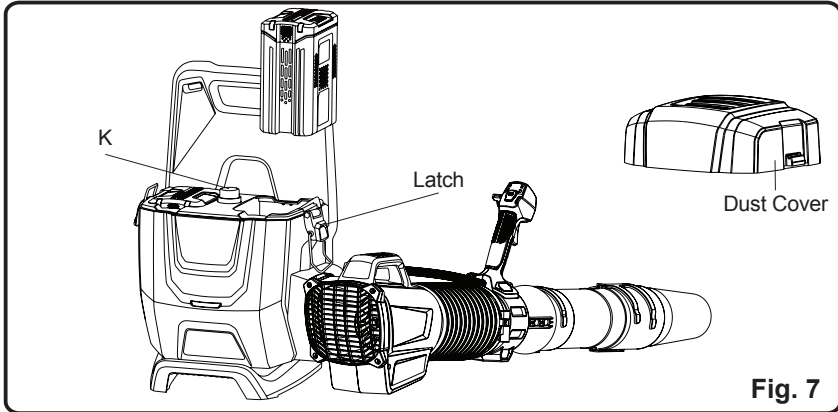


Fig. 7

▲ WARNING

Follow these instructions in order to avoid injury and to reduce the risk of electric shock or fire:

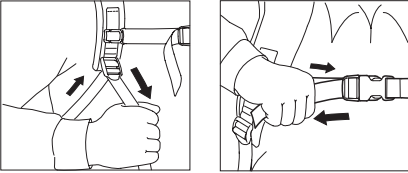
- Replace the battery pack or the charger immediately if the battery case or charger cord is damaged.
- Verify that the switch is in the OFF position before inserting or removing the battery pack.
- Verify that the battery pack is removed and the switch is in the OFF position before inspecting, adjusting, or performing maintenance on any part of the blower.
- Read, understand, and follow the instructions contained in the section entitled Charging Procedure.

ASSEMBLY

HARNESS ADJUSTMENT

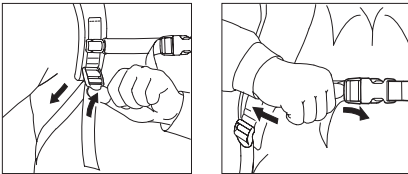
A well adjusted backpack blower and harness makes work easier. Adjust the harness to give you the best working stance. Adjust the side straps so the weight is equally distributed across your shoulders.

A



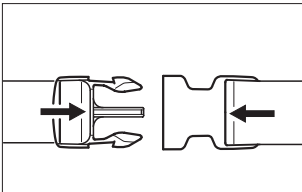
A Once the blower is properly fitted on your back, pull the ends of the straps downward to tighten the harness. Connect the horizontal chest strap, and pull the end of the strap to tighten.

B

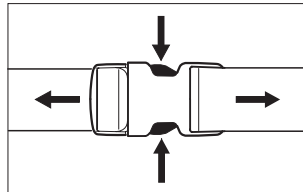


B Lift the tabs of the adjusters to loosen the straps.

C



D



C Close and lock the quick-release fastener by pushing it together.

D Squeeze the hooks to open the quick-release fastener.

HARNESS REMOVAL

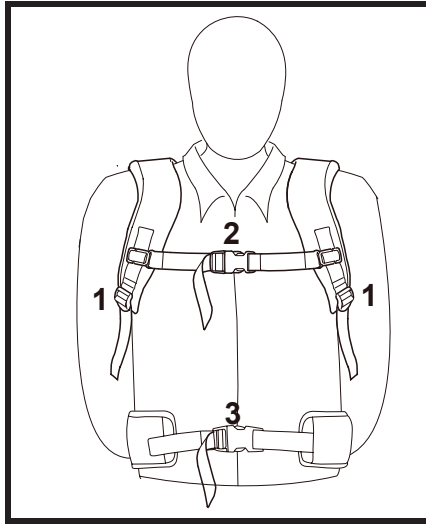
- Open the quick-release fasteners on both chest strap and waist strap. (See Fig D.)
- Loosen the harness straps by lifting the sliding adjusters and then take off the blower. (See Fig B.)

▲ WARNING

The backpack blower must be quickly removed in the event of imminent danger. The chest and waist strap must be released before putting the backpack blower on the ground.

ASSEMBLY

PUT ON THE SHOULDER STRAP.



1. Adjust the harness straps (1) to the correct length.
2. Adjust chest strap (2) and waist strap (3) to correct length and fasten it together.

Note: The back padding must fit firmly and securely against your back.

OPERATION

▲ WARNING

Do not allow familiarity with this product to make you careless. Remember that a careless fraction of a second is sufficient to inflict serious injury.

▲ WARNING

Always wear eye protection with side shields marked to comply with ANSI Z87.1, along with hearing protection. Failure to do so could result in objects being thrown into your eyes and other possible serious injuries.

▲ WARNING

Do not use any attachments or accessories not recommended by the manufacturer of this product. The use of attachments or accessories not recommended can result in serious personal injury. Before each use, inspect the entire product for damaged, missing, or loose parts, such as screws, nuts, bolts, caps, etc. Tighten securely all fasteners and caps and do not operate this product until all missing or damaged parts are replaced.

HOLDING THE TOOL (See Fig 8.)

The operator should wear proper clothing, such as boots, safety glasses or goggles, ear/hearing protection, gloves, long pants and a long-sleeved shirt.

This backpack blower is designed to be operated with one hand.

The user can carry it holding the control lever with the left or right hand.

Always walk slowly while working.

Always check the blowing nozzle outlet area.

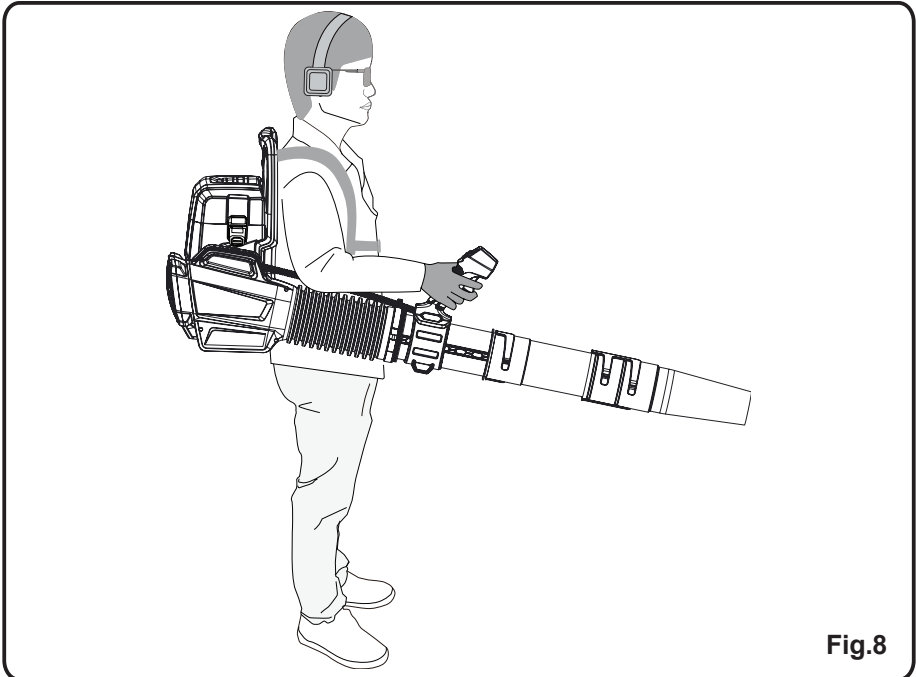


Fig.8

OPERATION

STARTING/STOPPING THE BLOWER (See Fig 9.)

Before start-up, make sure that the blower is in perfect condition to guarantee safe operation.

- Squeeze the switch trigger to start.
- To change speed, press or release trigger to increase or decrease the speed.

USING CRUISE CONTROL (See Fig 9.)

This blower is equipped with a cruise control function. Please read and understand the function of the cruise control lever.

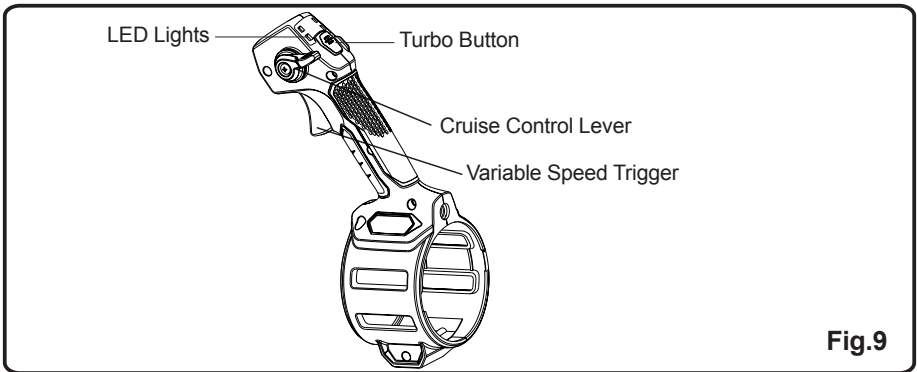
- Squeeze the trigger to start the unit.
- Once the unit is on, pull the lever back clockwise to increase the speed. This will lock the speed at the desired setting.
- To decrease the speed, push the lever counter clockwise to decrease the speed to the desired setting.

NOTE: If you decrease the speed all the way, the unit will shut off and step one will need to be repeated.

USING TURBO BUTTON (See Fig 9.)

This blower is equipped with a turbo button. Please read and understand the function of the turbo button.

- Squeeze the switch trigger to start.
- To boost speed, press the turbo button so that the blower can be operated at the highest speed. Once the turbo button is released, the blower will be operated at the normal speed.



⚠ WARNING

- To avoid serious personal injury, wear goggles or safety glasses at all times when operating this unit. Wear a face mask or dust mask in dusty locations.
- To prevent serious personal injury or damage to the unit, make sure the blower tube is in place before operating the unit.

OPERATION

LED APPLICATION

The trigger handle is equipped with LED light which has the below indication.

4 LED Lights	100% Est. Battery Life Remaining
3 LED Lights	75% Est. Battery Life Remaining
2 LED Lights	50% Est. Battery Life Remaining
1 LED Lights	25% Est. Battery Life Remaining

OPERATING TIPS

- To keep from scattering debris, blow around the outer edges of a debris pile. Never blow directly into the center of a pile.
- To reduce sound levels, limit the number of pieces of equipment used at any one time.
- Use rakes and brooms to loosen debris before blowing. In dusty conditions, slightly dampen surfaces when water is available.
- Conserve water by using power blowers instead of hoses for many lawn and garden applications, including areas such as gutters, screens, patios, grills, porches, and gardens.
- Watch out for children, pets, open windows, or freshly washed cars, and blow debris safely away.
- After using blowers or other equipment, clean up. Dispose of debris properly.

AIR VENTS

Never cover air vents. Keep them free of obstructions and debris. They must always remain clear for proper motor cooling.

OPERATING THE BLOWER

Hold the blower firmly. Sweep from side to side with the nozzle several inches above the ground or floor. Slowly advance the unit, keeping the accumulated pile of debris in front of you. Most dry blowing operations are better suited to low speeds, rather than high speeds. High speed blowing is a better way to move heavier items like large debris or gravel.

▲ WARNING

- To avoid serious personal injury, do not wear loose-clothing or articles such as scarves, strings, chains, ties, etc., that could be drawn into the air vents. Tie back long hair to make sure it does not get drawn into the air vents.
- To avoid serious personal injury, ensure the unit is in OFF position and unplugged before clearing the impeller.
- To avoid serious personal injury, always wear gloves to protect yourself from the impeller blades or other sharp objects.

ENVIRONMENTALLY SAFE BATTERY DISPOSAL

▲ W A R N I N G

The following toxic and corrosive materials are in the batteries used in this blower battery pack:
Lithium-Ion, a toxic material.



All toxic materials must be disposed of in a specified manner to prevent contamination of the environment. Before disposing of damaged or worn out Lithium-Ion battery packs, contact your local waste disposal agency, or the local Environmental Protection Agency for information and specific instructions. Take the batteries to a local recycling and/or disposal center, certified for lithium-ion disposal.

▲ W A R N I N G

If the battery pack cracks or breaks, with or without leaks, do not recharge it and do not use.

Dispose of it and replace with a new battery pack. **DO NOT ATTEMPT TO REPAIR IT!**

To avoid injury and risk of fire, explosion, or electric shock, and to avoid damage to the environment:

- Cover the battery's terminals with heavy-duty adhesive tape.
 - DO NOT attempt to remove or destroy any of the battery pack components.
 - DO NOT attempt to open the battery pack.
 - If a leak develops, the released electrolytes are corrosive and toxic. DO NOT get the solution in the eyes or on skin, and do not swallow it.
 - DO NOT place these batteries in your regular household trash.
 - DO NOT incinerate.
 - DO NOT place them where they will become part of any waste landfill or municipal solid waste stream.
 - Take them to a certified recycling or disposal center.
-

TROUBLESHOOTING

PROBLEM	POSSIBLE CAUSE	SOLUTION
Unit will not start.	Battery is not secure.	Check to ensure the latches are tightly secured into place on the back of the blower and the battery. (Reference Page 13 of the instruction manual).
	Battery is not charged.	Charge the battery pack according to the instructions included with your battery.
	Defective power switch	Return to place of purchase or return the unit to a repair center.
Unit will not blow.	Blocked tube.	Clear the blockage.
Cruise Control Lever doesn't work.	The screw is loose.	Tighten the screw with a phillips head screwdriver.
Unit has blinking LED lights.	One battery has been depleted.	Re-engage the trigger to activate the second battery.

LIMITED WARRANTY



GREENWORKS™ hereby warranties this product, to the original purchaser with **proof of purchase**, 2 year commercial power train warranty, 2 year commercial battery warranty against defects in materials, parts or workmanship. GREENWORKS™, at its own discretion will repair or replace any and all parts found to be defective, through normal use, free of charge to the customer. This warranty is valid only for units which have been used for personal use that have not been hired or rented and that have been maintained in accordance with the instructions in the owners' manual supplied with the product from new.

2 YEAR LIMITED POWER TRAIN WARRANTY COVERAGE:

- Motor
- PCB Boards
- Gear Box
- 2 years from the date of purchase (non transferable)

2 YEAR LIMITED BATTERY WARRANTY COVERAGE:

- Greenworks Commercial Battery Packs (GL 200, GL 250, GL 300, GL 400, GL 500, GL 900)
- 2 years from the date of purchase (non transferable)

60 DAY LIMITED WEARABLE PARTS WARRANTY COVERAGE:

- Bars
- Blades
- Guards
- Chains
- Bump Feed Heads
- Tines
- 60 Days from date of purchase (non transferable)

LIMITED WARRANTY

WARRANTY EXCLUSIONS, LIMITATIONS AND RIGHTS:

1. All warranties may not be transferred by the consumer to any subsequent purchaser.
2. Parts or components not supplied by the warrantor, or parts or components that have been modified.
3. Any failure resulting from the use of improper tools or improper repair procedures.
4. Any failure or part that has become inoperative due to accident, impact, abuse, misuse, neglect, mishandling, dulling of cutting edges, or failure to operate the product in accordance with the information provided in the instruction manual supplied with the product.
5. Normal deterioration of the exterior due to use or exposure, and any repairs made necessary by normal wear, improper maintenance, improper lubrication, improper storage, dirt, abrasives, impact, moisture, water, rain, snow, rust, corrosion, varnish, or other similar conditions.
6. Routine maintenance items such as lubricants, blade sharpening.
7. The unit, if it has not been operated and/or maintained in accordance with the owner's manual.
8. Improper voltage for electric products and batteries that have been exposed to temperatures beyond those specified in the product's instruction manual, batteries that have not been properly charged or batteries that have reached their useful life.

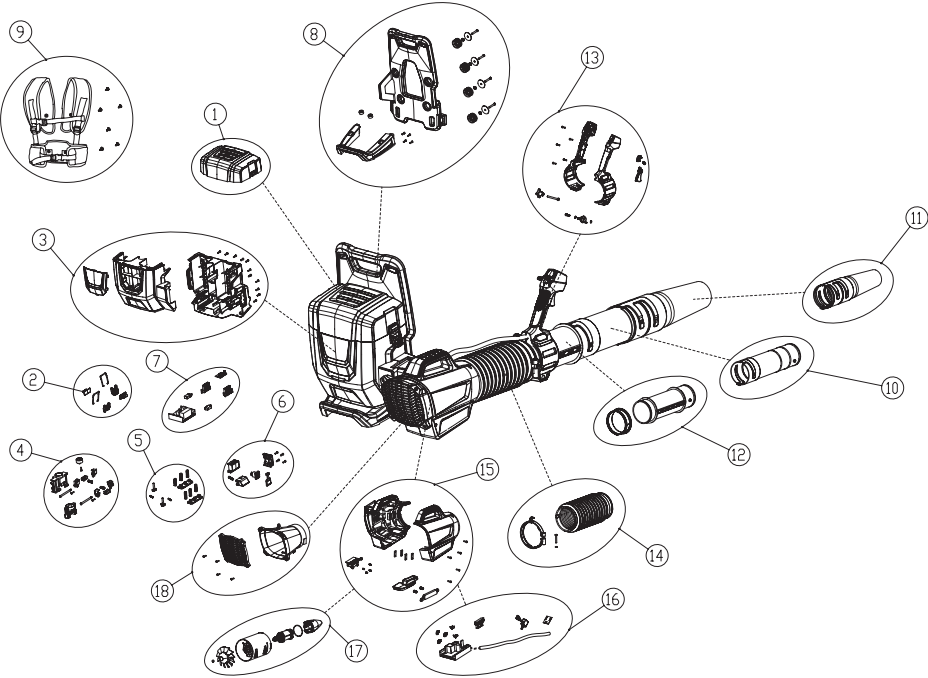
GREENWORKS HELPLINE:

Warranty service is available by calling our toll-free helpline, at **1-855-470-4267**.

TRANSPORTATION CHARGES:

Transportation charges for the movement of any power equipment unit or attachment are the responsibility of the purchaser. It is the purchaser's responsibility to pay transportation charges for any part submitted for replacement under this warranty unless such return is requested in writing by **GREENWORKS**.

EXPLODED VIEW



PARTS LIST

NO.	PART NO.	QTY	DESCRIPTION
1	RB341061959	1	COVER, TOP
2	RB311111959	1	KIT, HASP
4	RB311201959	1	KIT, BATTERY RELEASE BUTTON
5	RB341071959	1	KIT, SUPPORT, CLAMPING
6	RB311091959	1	KIT, OUTPUT
7	RB362031959	1	KIT, BOARD, TRANSDUCER
8	RB341031959	1	KIT, BACKBOARD
9	RB311291959	1	KIT, BELT
10	RB341341959	1	TUBE, DRAFT
11	RB341281959	1	TUBE, BOTTOM
12	RB341291959	1	KIT, TUBE, ADJUSTMENT
13	RB341301959	1	KIT, HANDLE
14	RB341261959	1	TUBE, FLEXIBLE
15	RB341181959	1	KIT, HOUSING
16	RB362011959	1	BOARD, CONTROL, MOTOR
17	RB361002246	1	KIT, MOTOT
18	RB341161959	1	KIT, INLET GUARD

GREENWORKS

COMMERCIAL

**Greenworks Tools
PO Box 1238
 Mooresville, NC 28115**

TOLL-FREE HELPLINE: 1-855-470-4267

