

MAGNUM LOW RIDER

USER GUIDE



Please read before use!



www.magnumbikes.com

Foreword

These operating instructions must be carefully read in order to quickly familiarize yourself with your bicycle. The knowledgeable treatment, regular maintenance, and care of the bicycle is essential for its preservation and safety.

For reasons of safety, please also pay attention to the information on chargers, accessories and other spare parts.

Note to Magnum dealers: Please provide the operating instructions for the new owner when selling the bicycle.

The factory is constantly working on the further development of all models. Please understand that changes to the scope of delivery in form, equipment and technology are possible at times.

All texts, illustrations, and instructions in this manual are based on information at the time of printing. All graphics are renderings and may have differences from the actual product. The information contained in this manual is valid at the time of issue.

Reproduction, duplication or translation of this user manual is prohibited without explicit permission from Magnum Bikes. All rights under the copyright law remain expressly reserved.

Symbols used

Important notes for your safety are specially marked. Be sure to follow these instructions to avoid injury and damage to the unit:

“WARNING” Warns of dangers to your health and indicates possible risk of injury.

“DANGER” Indicates a potential hazard to the unit or others.

“NOTE” Highlights tips and information for the user.

TABLE OF CONTENTS

USE

Right view	4
Function and operation handlebar components	4
Mounting instructions for handlebars	5
Pedal mounting	7
Seating position	8
Adjusting the seat height	9
Adjusting the saddle	9
Safety instructions - charger	10
Charger functions	11
Safety precautions - battery	12
Handling the battery and charger	13
Charging the battery	14
Tire pressure	15
Riding	16
Support level	16
Range	16
Brakes	16
Leaving the bike	17
Display overview	18

DRIVING

Safety instructions	23
Transport with car	24
Carrying loads	24
Antitheft	24

Vehicle Care

Vehicle care and care products	25
Winter care and maintenance	26
Corrosion protection	26
Disposal	26
Tire care	27
Technical changes, accessories, spare parts	27

MAINTENANCE

Maintenance and care	28
Cranks	29
Pedals	29
Steering bearings	30
Spokes	31
Check battery fuse	31

TECHNICAL SPECIFICATIONS 32

WARRANTY

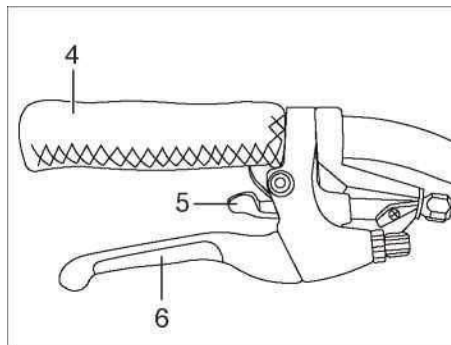
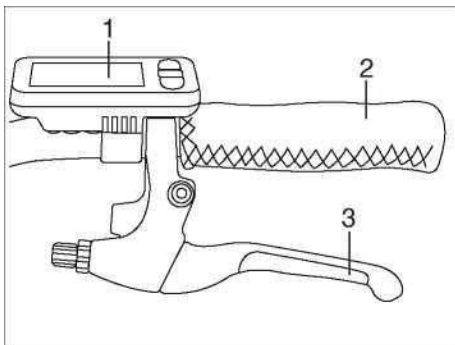
Parts and service	33
Warranty conditions	34



RIGHT SIDE VIEW

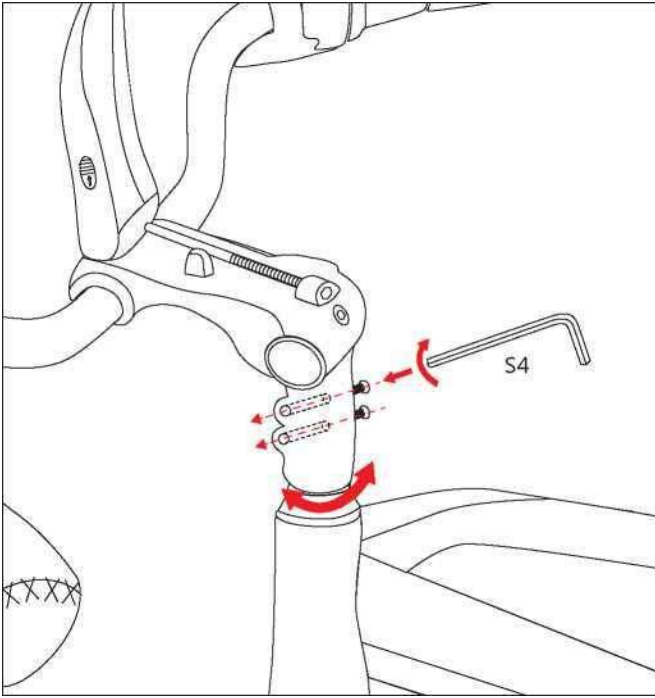
1. Display	6. Motor
2. Brakes	7. Derailleur
3. Seatpost	8. Crankset
4. Battery	9. Pedals
5. Disk brake	

Function and operation of handlebar components

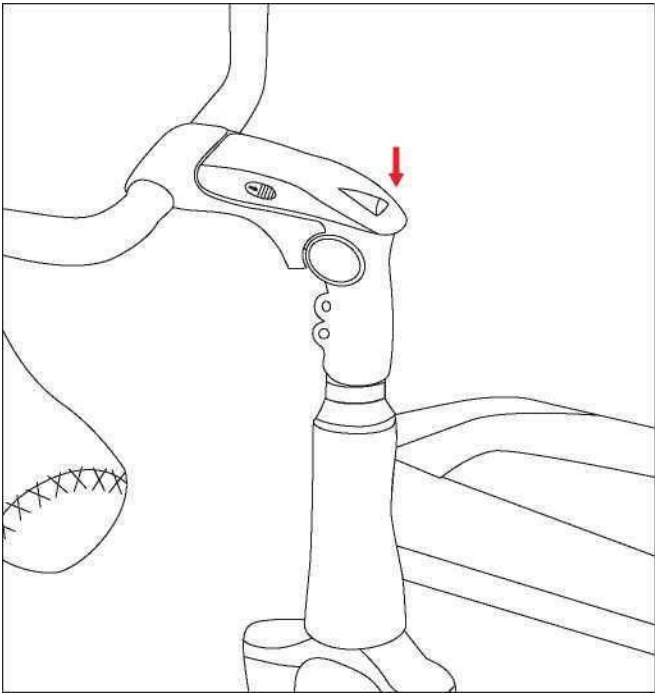


1. Display	4. Right grip
2. Left grip	5. Right shift lever
3. Left brake lever	6. Right brake lever

USE



2. Adjust the handlebar to the desired position and tighten the screws on the right side.



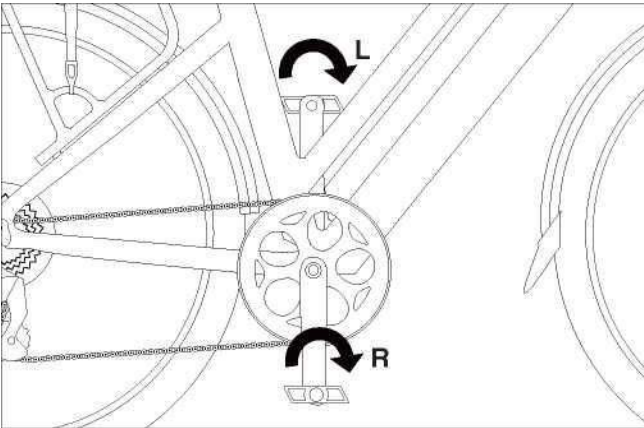
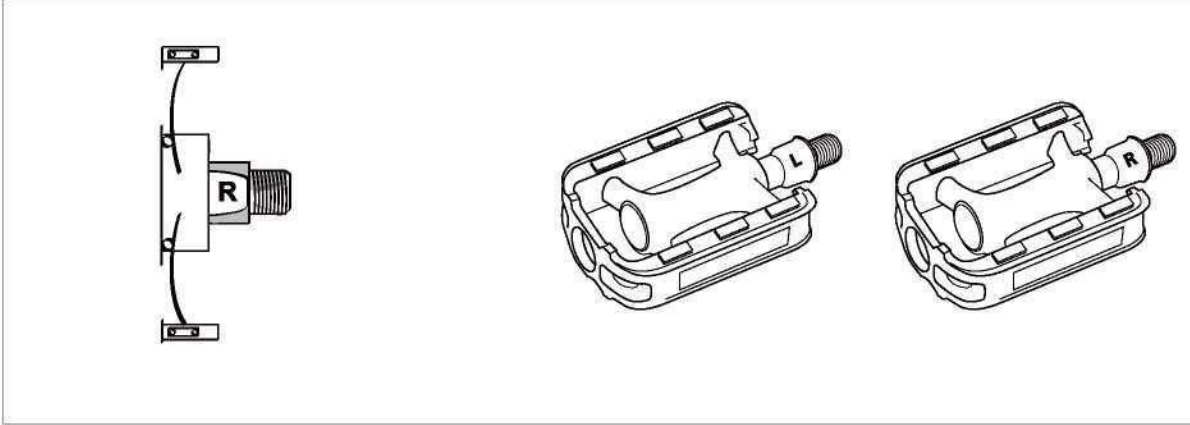
4. Close the cover plate to complete the setting.

Pedal mounting

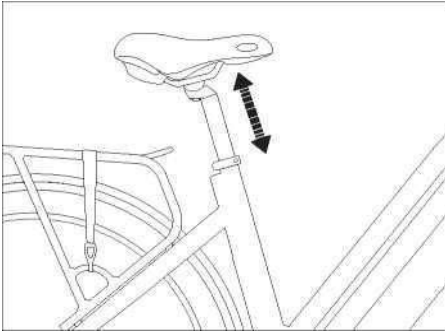
WARNING

Do not tighten the pedals by hand, use a suitable wrench.

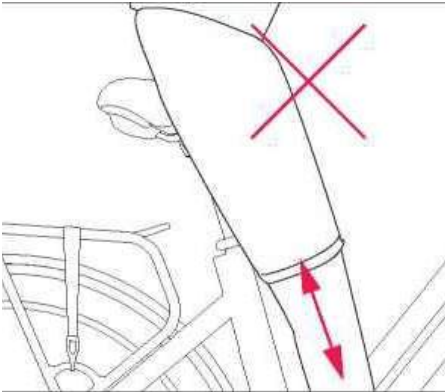
- Identify your pedal: Check the letter on the pedal: "L" or "R".
- The pedal marked "R" is for the right. Turn the wrench handle clockwise.
- The pedal marked "L" is for the left. To tighten the pedal, turn it counterclockwise.



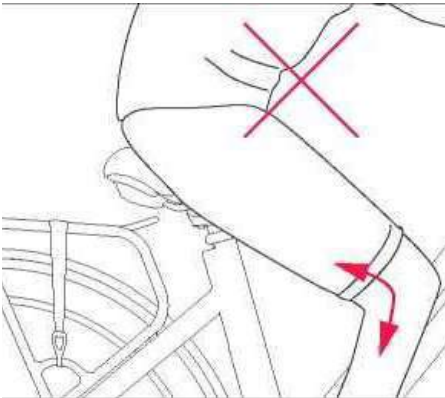
Seating Position



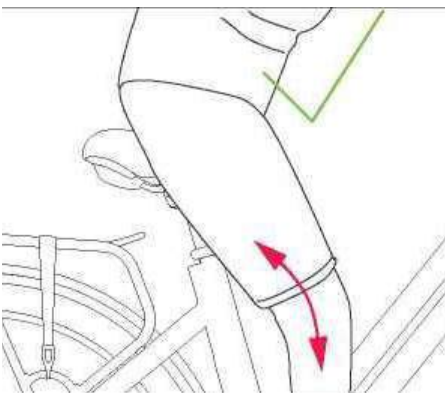
To ensure comfortable, fatigue-free and safe riding, the saddle and handlebar height should be adjusted to the rider's body size. The saddle height is correct when the foot is resting on the pedal at the lowest position while the leg is not fully extended. The tips of the toes should be able to touch the ground. Raising or lowering the seat to the height of the rider's hip, while they are standing on the ground next to the bike, is a good starting point.



Too high



Too low



Ideal
USE

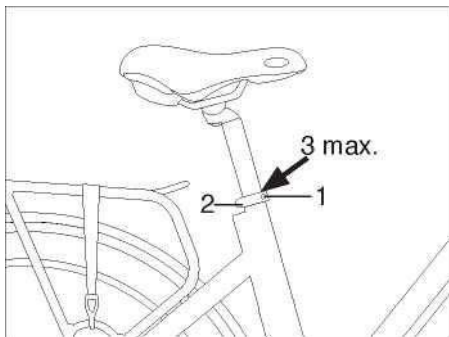
Adjusting the seat height

WARNING

A quick release lever that is not fully closed can open while riding allowing the saddle to move. This can lead to severe injury. The tension on the quick release lever should be strong enough to need two hands when closing.

The saddle can be extended up to the "MINIMUM INSERT" line that is imprinted on the seat post (3).

- Loosen the quick release lever (1), measure the saddle height to the rider's hip and tighten the clamp to close.
- By adjusting the nut (2) on the quick release lever, the clamping tension can be increased or decreased.
- The quick release lever (1) must close with a noticeable pressure.



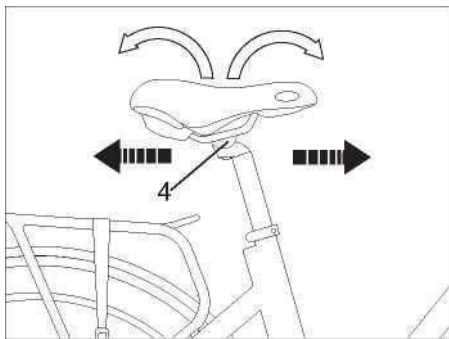
Adjusting the saddle

The saddle can also be tilted and adjusted in the longitudinal direction.

- Loosen the screw (4).
- Place the saddle in the desired horizontal position, move it forward or back and tighten the screw (4).

NOTE

In order to avoid seat discomfort, the saddle should be adjusted as close to horizontal as possible.



Important safety precautions for the charger

Before using the charger, please read these safety instructions.

WARNING

Protect your charger from children. To prevent injury use the charger that comes with your e-bike. Other battery types can explode when charged with the incorrect charger. This can lead to personal injury and material damage.

The use of accessories or batteries which are not sold or recommended by us can lead to fire, electrical shock, or injuries.

Avoid operating the charging unit in a damp or wet environment.

Avoid water penetration into the charger. If liquid has entered, unplug the charger from the outlet and take it to your dealer for inspection.

Make sure you have a flat surface on which the unit is secure.

Disconnect the device from the power supply when fully charged.

Do not pull on the cable to avoid damage to the cable and the risk of electric shock.

Make sure the power cord is unrolled or unwound after use so as not to damage the cord.

Do not operate the charger with a damaged cable or plug. Ensure immediate replacement by the dealer if damaged.

Do not operate the charger after it has been damaged.

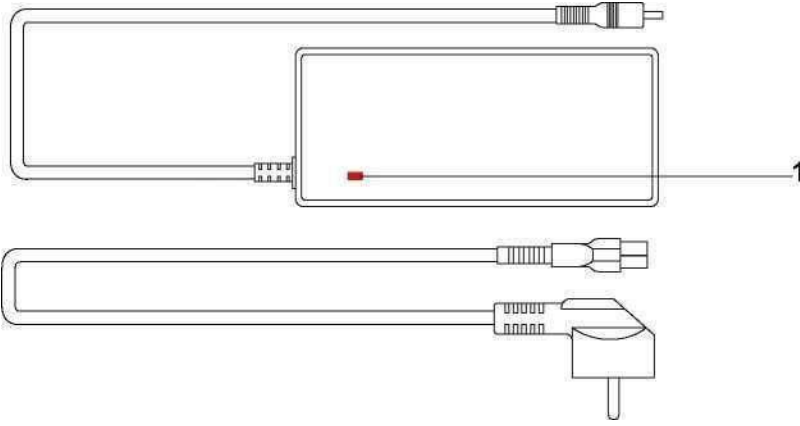
Do not disassemble the charger yourself. Faulty repair may result in electric shock or fire. To prevent electrical shock, disconnect the charger from the outlet before cleaning it.

Any cleaning of the charger should only be done with a dry cloth. Do not use oil, water or other solvents.

An extension cable should only be used when absolutely necessary. The use of a faulty extension cables can result in fire or electric shock. If an extension cable needs to be used, make sure that:

- the pins of the plug in number, size and shape exactly correspond to those.
- the extension cable is correctly wired and in good electrical condition.
- the extension cord has no visible damage.
- when using cable drums, the drum is fully unwound.

Charger functions



Charge cycle and LED indicators for lithium-ion battery	
LED	STATUS
Green	Battery not connected yet
Red	Charging
Green	Charging completed

The LED light (1) on the charger keeps you constantly informed about the charge state of your battery.

Troubleshooting your charger

Please check:

- Check that the power cable is properly connected to the wall outlet and the battery socket.
- Check that the contacts of the charger and battery are clean and not damaged or bent.
- Check that the battery isn't damaged or defective in any way.

If the battery will not charge:

- Unplug the charger from the outlet then plug it back in.
- Check that the outlet your charger is plugged into is functioning properly, if necessary connect other devices to it to confirm.
- Check the contacts of the plug connections.
- If charging is still not possible, please have the battery and charger checked by a Magnum Bikes licensed dealer.

Important instructions for the battery

Important information, which you should read before use:

- The batteries of the vehicle are approximately 50% charged when new.
- Before using the battery for the first time please fully charge the battery.
- The battery develops its max. output after approx. five discharge / charge cycles.

WARNING

The battery of the bicycle is matched with the charger. Never charge the batteries with another charger.

- Protect the battery from moisture.

- Before you connect the charger to the outlet, please check that the voltage of your power supply matches the input voltage indicated on the charger (e.g. 120V).

- The maximum lifetime of the batteries is achieved if you use them between 20-80% discharge at an ambient temperature between + 50 ° F and max. + 86 ° F. Overcharge and overdischarge of the battery will weaken the cycle life over time.

- The batteries will heat up under a heavy load. Before charging a battery that has heated up, please cool to room temperature or allow to cool for approx. 30 minutes.

WARNING

- **Keep out of reach of children.**

- **Do not open or disassemble the battery.**

- **Do not short-circuit metallic objects on the battery.**

- **Do not immerse in any liquid.**

- **Do not incinerate! There is a risk of explosion!**

NOTE

A battery pack contains toxic heavy metals and is therefore subject to special waste treatment.

Lithium batteries cannot be disposed of with regular trash. All batteries must be disposed of at a household hazardous waste collection point (check with your local landfill) or battery recycling drop off location, NOT placed in the trash.

(Find a battery recycling drop off location near you here <https://www.call2recycle.org/locator/>)

Handling of battery and charger



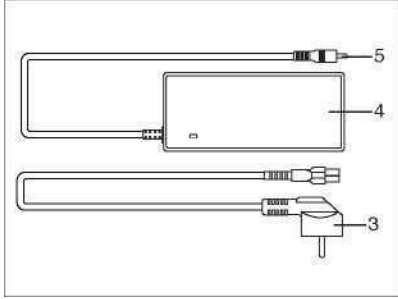
In order to achieve the longest possible battery life, the following notes should be observed:

- The charger should not be activated when the battery temperature is below + 32 ° F or above + 140 ° F. Before charging, be sure to bring the battery to about room temperature.
- The charger will stop charging when the battery is fully charged. Please unplug the charger once the battery is fully charged.
- Do not leave the charger to charge the battery for more than 24 hours.
- The battery should not be connected to the charger during extended periods of non-use.
- Keep the battery at 40 - 60% battery capacity in a dry place at approx. 50 ° to 68 ° F when storing (eg in winter).
- **Recharge every 3 months for 2 hours.**
- If the battery is to be used again after a long period of non-use (for example after winter shutdown), the battery should be left to charge for approximately 24 hours.

DANGER

**Failure to observe these precautions may result in low battery charge.
No warranty will be provided for a deeply discharged battery.**

Recharging the battery



NOTE

The battery (1) can be removed from the e-bike.

The battery is secured with a lock (2).

IMPORTANT NOTE!

The new 48V battery has USB port on the right side of the battery near the top.

TO CHARGE THE BATTERY

1. Connect the plug of the charger to the power supply
2. Connect the charger to the battery.

NOTE

The USB port provides 5V 1A charging power. Cell phone & tablet charging is possible.

Removing the battery



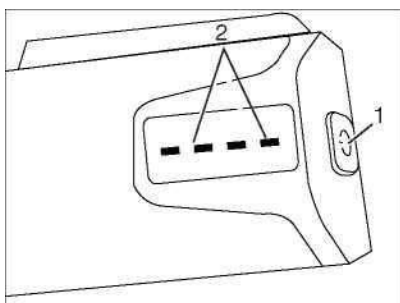
To pull out the battery, insert and turn the key. Hold the key in the unlock position (2) and then pull out battery (1).

Insert the battery



To reinsert the battery push the bottom of the battery (1) into the frame as far as it will go and then insert the top end of the battery into the frame until it clicks in place. You may then remove the key.

Battery charge status



The charge state can also be checked with the battery removed.

While the button (1) is pressed, the LED (2) will light up depending on the charge state:

green 4	The battery is fully charged.
green 3	The battery is about 3/4 charged.
green 2	The battery is about 2/4 charged.
green 1	The battery is almost empty, you should charge it soon (about 1/4 residual capacity).
red	The battery is empty.

Tire pressure

To avoid flats, keep tire pressure at the recommended PSI. On off-road terrain a slightly lower PSI will provide more grip but flats can occur.

WARNING

Caution should be exercised when inflating tires with compressor air pressure equipment (eg gas stations). Due to the relatively small volume of air required be sure not to overinflate the tires as this can cause them to burst.

Correct tire pressure should be adjusted according to the terrain within the range of. 26 to 54 psi.

Riding instructions

NOTE

The battery must be secured and locked into the frame before riding.

Before riding, be sure that the battery is correctly inserted into the frame and remove the key. If left in place the key can break in case of impact.



WARNING - FALL HAZARD!

To avoid injury be sure to follow the instructions below:

1. Before starting to ride, hold the handlebars (1) straight.
2. To start practicing, start with the motor switched off. Only switch on the motor when you are comfortable riding the bike.
3. Do not use the pedals (2) to start until a safe riding position is assumed.
4. When starting to ride, apply the brakes slightly. This inhibits the motor and enables a safe start to your ride.

The bicycle can be driven with the auxiliary drive switched on or without it.

When the auxiliary drive is activated, the electric motor is activated immediately upon pedaling with a half pedal rotation.

On long uphill runs, the motor could potentially become so hot that the current is reduced by the temperature sensor in the motor. The internal heat sensor may cut out the electrical system of the e-bike if it overheats.

If the e-bike cuts out let the system rest for a few minutes and resume riding while being sure to pedal in order to alleviate the stress on the electrical system.

Range per charge

The achievable range with a charge of the battery depends on a variety of factors. These include the battery and vehicle condition, the total load and above all the route elevation. Under normal conditions, the Li Ion battery has a range of approximately 50 miles per charge.

Please remember:

- Before each major ride, recharge the battery and check the tire pressure.
- The battery develops its max power after approximately five discharge / charge cycles.
- The battery is subject to normal self-discharge over a long period of time.

Brakes

The front and rear brakes operate independently of each other.

When stopping or slowing down, operate both brakes at the same time.

The Magnum Peak e-bike is equipped with hydraulic disc brakes, which have a very high braking power.

USE

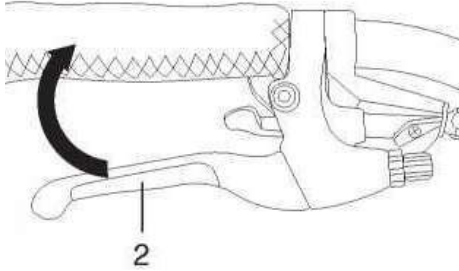
WARNING

The model with hydraulic disc brakes can achieve very rapid braking performance.

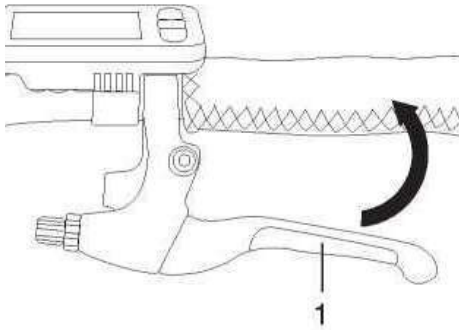
In tight corners and on trails with loose dirt, on wet asphalt, and on ice, the front wheel brake should be carefully applied so that the front wheel does not slip while braking.

Please slow down carefully.

When turning always brake before turning and not during the turn itself as this could cause skidding.

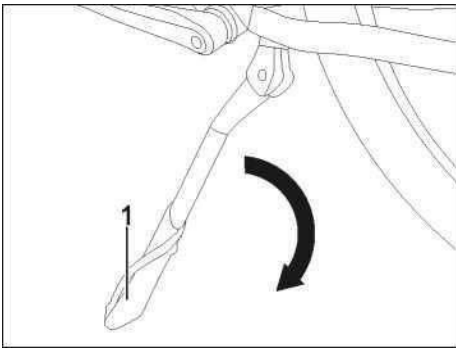


The right brake lever (2) controls the rear wheel



The left brake lever (1) controls the front brake

Parking the bike



WARNING

When unfolding the kickstand (1), always make sure that the stand is stable and firm before leaving the bike in place, so as to prevent the bike from falling over. Do not place additional weight on the bike when the kickstand is in use.

NOTE

Be sure that your kickstand's adjustable leg is adjusted to the position of your preference and screw it tightly in place.

***See L7 Display Manual for Display Information

RIDING

Safety instructions

Traffic safety

An e-bike must be equipped with two mutually independent, functional brakes, a clearly audible bell, headlights, tail lamps, reflective pedals, reflectors for wheels and integrated light strips on the tire as well as front and rear reflectors.

The e-bike is only suitable for rides on fixed roads and paths. Do not use the e-bike for water crossings, for terrain jumps, or racing.

During the ride, you should note that at an average speed of approx. 11 miles per hour per will be returned. Keep enough distance from other road users.

For your own safety do not ride with your e-bike freehand or next to each other.

You must be able to perceive warning noises. Do not use headphones on the road.

Riding safety

For riding safety, check the correct adjustment of seat and handlebar height according to the body size, the recommended tire pressure, still sufficient tire profile and perfect function of the brakes and the lighting.

After a while, nuts, bolts, and screws will loosen. It is therefore necessary to check axle nuts, headset bearings, handlebars, saddles, seatposts, pedal cranks and pedals for parking and, if necessary, by the dealer before riding and every six months.

DANGER

In your own interest for the e-bike use only expressly approved accessories and original EBike spare parts. For these accessories and parts safety, suitability and reliability have been tested especially for the EBike.

For other accessories and other parts, we can not assess a usability despite ongoing market observations and are not liable for it.

Lighting

Electric bicycles do not need lighting equipment during the day, but only when they are not recognized by other road users in time. Resting light, forward white, backwards red. However, a forward and a rearward directed reflector of at least 2 square inches of luminous surface, fixed on the electric bicycles, is required. The front and rear pedals must be equipped with reflectors (reflectors) with a luminous area of at least 1 square inch. In addition, yellow reflectors, which may be attached to the wheels, are permitted, which may also be located on the wheels. Damaged or bent safety-relevant parts such as frames, forks, handlebars, seatposts or pedal cranks must never be exchanged. There is a risk of breakage. If in doubt, please contact your dealer.

Is the e-bike ready?

Perform the following checks at regular intervals:

- Is the tire pressure correct? (See chapter "Technical data")
- Are the steering bearing and the cranks correct? (See chapter "Steering bearings" and "Crank")
- Are all the spokes tight? (See chapter "Spokes").

After a fall or accident, make sure that the e-bike is not bent or damaged (frame, handlebars, rims, etc.).

If one of the above points is not correct, do not use the e-bike. The errors must be corrected immediately. If you can not correct the errors yourself, please contact your dealer.

What do I look for when driving?

If the e-bike is in proper condition, it can go. It depends on your own driving behavior and ability to avoid dangerous situations. Familiarize yourself with your e-bike.

RIDING

WARNING

Before you go, hold the handlebars straight.

Do not start with the motor switched on until you start practicing. Do not operate the motor while riding!

- Always follow the traffic rules.
- Never drive away from the roads.
- Do not drive in the blind spot from other road users.
- Show where you want to turn.
- Remember that the agility of bicycles can surprise other road users, and fall victim to the mistakes of other road users.
- Drive defensively and adapted to the circumstances.
- Hold the handlebars on both hands. This is the only way to react to sudden danger situations, For example, obstacles.
- On sandy soil, foliage and wet road the tires do not have as much soil adhesion as on dry asphalt. Take this into account when cornering and braking, so as not to slip away. Also consider the longer braking distance.
- Slow down before slopes.

What do I wear?

Many accidents happen because e-bikers are not recognized in time. Therefore, it is useful to wear bright and eye-catching clothes. Be careful not to wear loose clothing that can stick to the chain, handlebar, pedals, or wheels. It should be self-evident to wear a helmet. Make sure that your helmet complies with the safety standards SNELL and ANSI or the new ECE standard. Wear a bicycle glasses to protect your eyes.

Transport with car

WARNING

The bicycle may only be mounted on the wheels for transportation on appropriate loading areas (passenger cars, other transport vehicles, roof trusses or trunk carriers, trailers).

Before transporting your bike, be sure to remove all parts that can be removed during transport.

Carrying loads

WARNING

- Do not transport bulky loads.
- Do not cover the light.
- Do not take anyone with you.
- Do not connect the trailer.

The driving behavior changes by carrying loads in any shape. The greater the load, the more critical this condition becomes. In principle, loads (shopping bags, etc.) should not be transported on the handlebars, but on the luggage carrier intended for this purpose.

Observe the permissible total load on the bicycle.

Max. 265 lbs.

Antitheft

Secure your bicycle with an additional bicycle lock against theft, and only lock it to fixed devices, such as light posts or fences. The cable lock should secure the frame and the rear wheel. Make sure that the lock closes tightly around the bike and the fixed device.

We recommend using a sturdy U-Lock and a cable lock to insure the highest security.

Shut off the battery or remove it.

Vehicle care / care products

NOTE

Regular and expert care is essential for the maintenance of the bicycle and is one of the prerequisites for the recognition of warranty claims. Corrosion caused by lack of care or by winter operation is not guaranteed.

DANGER

Rubber and plastic parts must not be damaged by aggressive or penetrating cleaning agents or solvents.

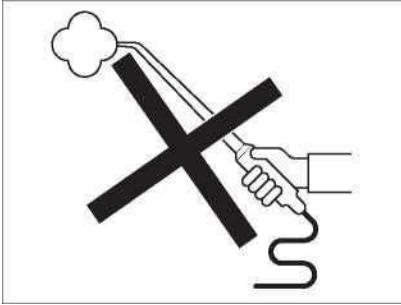
WARNING

Always carry out a braking test after cleaning or before the start of the ride!

DANGER

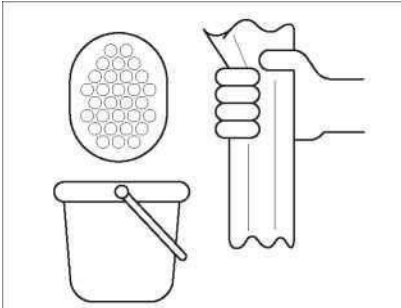
Do not use steam or high pressure equipment!

The high water pressure can lead to damage to the bearings, seals, battery and the entire electrical system.



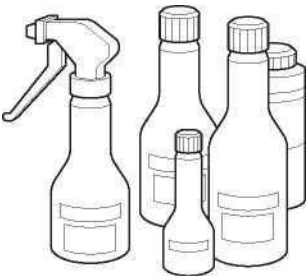
Cleaning

- For washing, use only a soft sponge and clean water.
- Only polish with soft cloth!
- Do not wipe the dust or dirt with a dry cloth (scratches in the lacquer and on the panels).



Care products

If necessary, the bicycle should be treated with commercially available preservatives and care products. Prevent corrosion-prone parts from becoming a problem, especially during winter, with preservatives and care products.



DANGER

Do not use silicone-containing cleaning agents or varnish polishes for plastic parts.

- Carefully clean the frame and aluminum parts after prolonged rides and preserve them with a commercially available anti-corrosive agent.

Winter operation and corrosion protection

NOTE

In the interests of environmental protection, we ask you to use care products sparingly and to use only those which are marked as environmentally friendly. If the bike is used during the winter months, considerable damage can be caused by corrosion.

Corrosion Protection

Do not use warm water - increased salt effect.

- Immediately clean the bicycle with cold water after traveling on salted roads.
- Dry the bike well.
- Treat corrosion-damaged parts with wax-based corrosion inhibitors before use and repeat this several times.

Disposal

NOTE

Electrical and electronic equipment must not be disposed of with household waste.

The consumer is legally obliged to return electrical and electronic equipment at the end of their service life to the appropriate public collection points or to the specialist dealer. Details of this are governed by the respective national law.

The symbol on the product indicates this requirement:



By recycling, recycling or other forms of recycling of old equipment, you are making an important contribution to the protection of our environment.

Batteries are subject to disposal, they contain toxic heavy metals and are therefore subject to special waste treatment. The specialist takes over the disposal.

Charger

Dispose of the device according to the environmental regulations in force in your country. Electrical waste must not be disposed of together with household waste. Contact your local authority or the dealer for information. When the end of use is reached, make sure the device is unusable by unplugging the charger and cutting the power cord.

Repairing paint damage

Repair small lacquer damage immediately with varnish.

Tire care

If the bicycle is not used for an extended period of time, it is advisable to park the bike so that the tires are not loaded.

Bicycles and / or tires can not be stored in rooms that are too warm for an extended period of time - Such as heaters.

DANGER

The tire profile thickness must not be less than 1 mm.

Driving over edges, sharp-edged obstacles, floor recesses, potholes, etc. can cause damage to the rim (spoke breakage) or to the tire, whereby too low tire pressure may be the cause.

There is no warranty claim.

Technical changes, accessories and spare parts

Technical modifications to the vehicle may void the EC type-approval.

If technical changes are to be made, our guidelines must be observed. This ensures that no damage is caused to the vehicle, traffic and operational safety are maintained, and the changes are permissible. The retailer carries out this work conscientiously.

Before purchasing any accessories or technical modifications, always consult the dealer.

DANGER

In your own interest, we recommend using only expressly approved accessories and original spare parts for Magnum bicycles. For these accessories and these parts, safety, suitability and reliability have been specially tested for the vehicle.

For other accessories and parts, we can not, nor will we be liable, in spite of ongoing market observation - even if in a particular case an inspection by an officially recognized Technical Inspection and Monitoring Association or an official approval should exist.

You can obtain approved accessories and original spare parts from the dealer. There, the assembly is carried out professionally.

Other components

Dispose of the components in accordance with the environmental regulations applicable in your country.

Electrical waste must not be disposed of together with household waste. Contact your local authority or the dealer for recycling advice.

Maintenance and Care

WARNING

For reasons of safety, it is prohibited to carry out repairs and adjustments independently. Improper working on safety-related parts puts you at risk and other people. This applies in particular to work on: steering, braking and lighting.

DANGER

Before any work on the electrical system, disconnect the plug from the battery, even when replacing an incandescent lamp. Do not interfere with the electronics. In case of non-compliance, the guarantee claim expires.

Any work on the motor unit, the cable harness, the battery and the charger or their disassembly will void the warranty claims.

Please note the following:

- Have maintenance carried out during the warranty period and then without exception by a specialist dealer.

- Only use original spare parts. The various work is described in the maintenance plan.

H = from specialist dealer

F = driver

H = Maintenance by the dealer F = Test by the driver				
Work to be done	Before driving	Monthly	Yearly	If necessary
Check all bolts and nuts, which are important for driving safety and function, if necessary. Axle nut - steering bearing - handlebar - saddle - seatpost - brakes - pedal crank	F	F	H	F H
Clean chain and lubricate with chain spray. Check the rear wheel if necessary .		F	H	F H
Check the steering bearing.	F			F
Check steering bearing, adjust if necessary. Grease and adjust if necessary.			H	H
Check the cables.	F			
Check and adjust the cables.			H	H
Check the adjustment of the circuit, adjust if necessary.		F		F H
Grease the kick stand.			F H	F H
Check brake system for proper operation.	F			F
Maintenance by the dealer F = Test by the driver				
Work to be done	Before each commissioning	Monthly	Yearly	necessary
Brakes The dealer is responsible for poor braking or low brake pressure	F		H	H
Check the rims and spokes for side and vertical impact.	F	F		
Check the rims and spokes for side and vertical impact. Spoke tension			H	H
Check, adjust.	F	F		H F
Check tire pressure regularly.		F		H F
Check tire thickness.	F			H F
Check the lighting and signal system, including the headlight, adjust if necessary.	F			F
Charge the battery with the charger.				H

Cranks

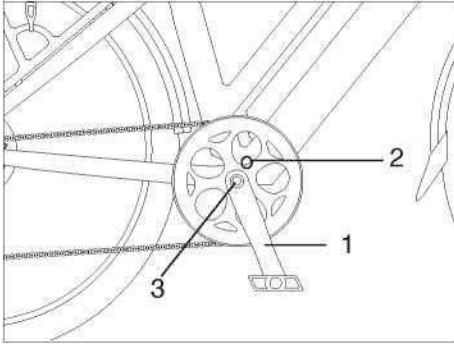
The cranks (1) can be loosened during riding. Regularly check that the cranks are tight.

If you move the cranks firmly sideways, no play should be felt. Also the bottom bracket (2) must not have any play and the cranks must be easily rotatable, then the bearing is in the proper condition. Check the bottom bracket regularly. Move the cranks back and forth sideways. If you find that the cranks or the bottom bracket are loose, please contact the dealer.

The cranks are equipped with max. 35 Nm.

Tightening:

- Tighten the screws (3) on both sides.



NOTE

If the cranks have already loosened, the inner quadrant is mostly knocked out. The pedal cranks, and if necessary the spindle, must then be re-tightened. Only dismantle the crank handle with a crank puller, never pull it out with force.

When installing, the square bearing surfaces of crank and axle must be completely free of grease.

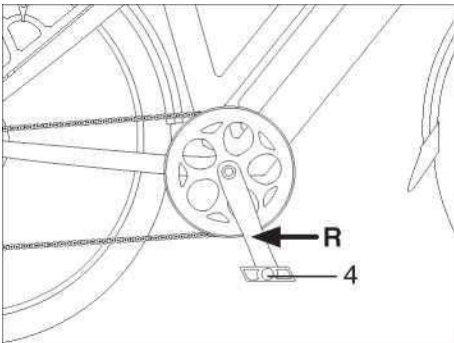
Pedals

Check regularly whether the pedals (4) are firmly screwed onto the cranks. Note that the pedals are equipped with different threads.

Left pedal with left-hand thread; It is tightened counterclockwise.

Right pedal with right-hand thread; It is screwed clockwise. On the pedals there is a corresponding marking near the key surface: "L" for the left side, "R" for the right side.

Tighten the pedals with a 15 mm wrench.



Steering bearings

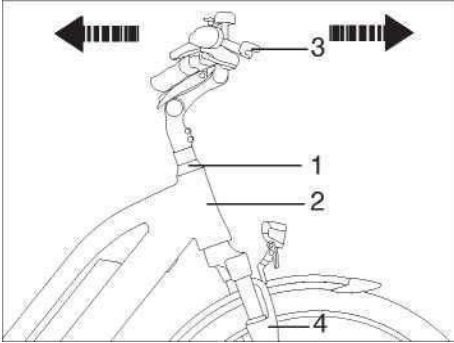
WARNING

Observe inspection intervals. In the case of extended driving with a loose steering bearing (1), a breakage of the fork shaft (2) can not be ruled out. A fall with serious injuries could result.

Check:

- Use the handbrake lever (3) to move the bicycle back and forth. If there is play in the steering bearing (1), it must be adjusted.

NOTE



The front fork (4) must not become stuck in the steering position and must swing easily in both directions.

DANGER

The adjustment must be made by the dealer.

Spoke

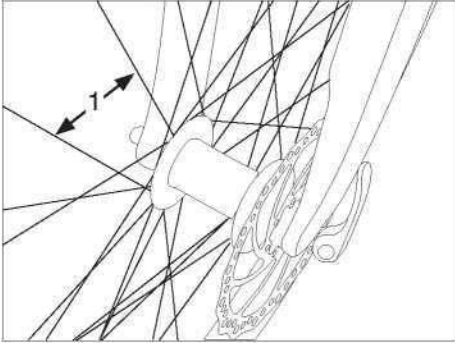
A tight fit of the spokes (1) is important for the smooth running of the wheels. Spokes loosen over time.

The broken spoke and the spoke opposite the broken spoke must be replaced immediately and the wheel must be trued.

Spoke fracture and an imbalance of the wheel often result from the improper tensioning of the spokes.

DANGER

The exchange or replacement of spokes is the responsibility of the specialist.



Check battery fuse

Under no circumstances should a stronger fuse be used or the fuse be repaired. Improper handling can destroy the entire electrical system!

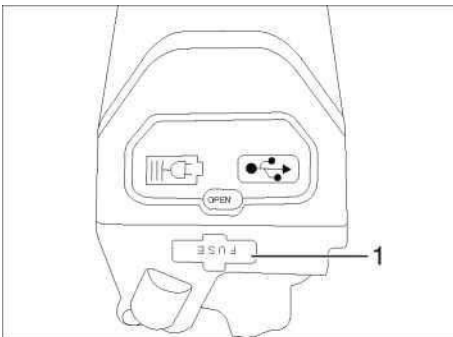
If the fuse is blown for any reason, contact your dealer.

NOTE

The fuse for the battery is located on the left side. When replacing the fuse, use a 30A fuse.

Replace fuse

- Press the ON / OFF button to switch off the display and the power supply.
- Remove the battery.
- Open cover (1) and replace fuse.
- When replacing the fuse, ensure that it is seated properly. Lots of fuses burn through.
- Installation is the reverse order.



TECHNICAL SPECIFICATIONS

Components	Metro
motor	DAS-KIT, 48V 500W, 28 mph, rear hub motor
battery pack	I6 48V 13Ah, with USB connection
display	DAS-KIT C7 LCD display
fork	RST, Neon-TNL with oil suspension and lock out
brake lever	Tektro, with electronic cut-off sensor
brakes	Tektro, hydraulic disc brakes
derailleur	Shimano Acera
sprocket	Shimano, Acera M360, 8 speed
tire	Schwalbe, Big Ben, 26" * 2.25
Components	Metro+
motor	DAS-KIT, 48V 500W, 28 mph, rear hub motor
battery pack	I6 48V 13Ah with USB connection
display	DAS-KIT C7 LCD display
fork	RST, Neon-TNL with oil suspension and lock out
Brake lever	Tektro, with cut-off sensor
brakes	Tektro, hydraulic disc brakes
derailleur	Shimano Acera
sprocket	Shimano, Acera M360, 8 speed
tire	Schwalbe, Marathon, 700c

Wear parts list

Wear parts	Wear limit
Tires, tubes, rims	Depending on riding conditions, load and air pressure the wear limit can be reached 300 miles or earlier.
Wheels, spokes, hubs	Depending on riding conditions, load and air pressure, the wear limit can be reached at 600 miles or earlier. Oxidation is a lack of care!
Lighting, light bulbs, electrical system, control electronics	Depending on the road surface / road surface, the service life is reduced, this can happen after 300 miles.
Brake pads, rotors	Depending on driving conditions and load, these can be worn at 300 miles.
Shaft seals on motor, suspension fork and wheels	Depending on the pavement texture and care, wear is possible over 300 miles. Pollution reduces life. Control at every maintenance. Do not wash with the high pressure cleaner!
Wheel bearing, steering bearing	Depending on the pavement texture and care, wear is possible over 300 miles. Contamination of the wheel hub reduces the service life. Control at every maintenance. Do not wash with the high pressure cleaner!
Cables, cable connections, switches	Depending on care from 300 miles. Control at every maintenance.
Cleaning and lubrication of the chain	After 300 miles and every cleaning.
Pinions, chain wheels, chain guides	Depending on the pavement texture and care, wear is possible over 300 miles. Do not wash with the high pressure cleaner! Control at every maintenance.
Battery, fuse	Depending on the external temperature, a breakdown from the 6th month is to be expected, in the case of short-distance operation earlier.
Cable pulls, brake cables	Depending on use and care from the 6th month.
Freewheel sprocket	Depending on care from the 6th month.
Self-locking nuts, cotter pins, glued	At any maintenance or opening of the nut or fuse.
Screw connections, fuse plates	Depending on driving conditions and load, these can be worn at 300 miles.

WARRANTY CONDITIONS

We at Magnum Bikes offer a warranty of:

- 12 months on the frame and all electronic components including battery on the new product advertised with the guarantee promise. The period for the calculation of the warranty period begins with the date of the invoice. If material or manufacturing defects occur during this period, we offer as guarantor under the warranty one of the following services at our discretion:
- Free repair of the goods (repair time 1-4 weeks from receipt of goods) or
- Free exchange of the goods in whole or in part against an equivalent article (possibly also a successor model if the original product is no longer available). Any articles or parts which have been replaced are our property. Warranty claims are excluded in case of damage to the goods by:
 - Abusive or improper handling (eg operating errors, mechanical damage, incorrect operating voltage, faulty storage, improper connection, or faulty installations).
 - Excessive environmental influences (moisture, heat, overvoltage, dust, etc.)
 - Failure to observe any safety precautions.
 - Failure to observe the operating instructions and / or recommended maintenance intervals.
 - Use of force (eg impact, impact, fall)
 - Unauthorized repair attempts without our prior written consent or by a third party not authorized for the service or if the article is used for commercial purposes.
 - Defects due to normal wear and tear, unless we voluntarily provide goodwill within the first 6 months, without recognizing a right-hand wear for wear parts such as:

Saddle, suspension fork, brakes / brake pads, disc brakes, spokes, luggage carriers, brake cables, handlebar grips, tubes / tires, bells, reflectors, front and rear lights, pedal arms / pedals, kickstands, gear shifters, bottom bracket, sprockets / cassettes, chain. Removal or alteration of the type plate attached to the product, the serial number or any safety label will invalidate the warranty claim. A claim of the guarantee service presupposes that we as guarantor check the guarantee is made possible by the dispatch of the goods. Care must be taken to ensure that damage is avoided by means of a suitable packaging. Warranty does not imply an extension or restoration of the warranty period for this appliance; Replaced parts become our property.

You must enclose a copy of the original invoice for the warranty. We ask for your understanding that we can reject the guarantee without having to settle this invoice. The transmission of the invoice copy is used to calculate the guarantee period.

Please provide warranty claims by phone, e-mail or fax. All statutory warranty rights to which you are entitled shall remain unaffected by the above guarantee provisions. If you have questions regarding the warranty or a guarantee, you can also contact us by email or telephone.

Magnum Bicycles
629 S State Street
Unit A
Salt Lake City, UT 84111
Phone: 323-375-2666
E-Mail: info@magnumbikes.com