

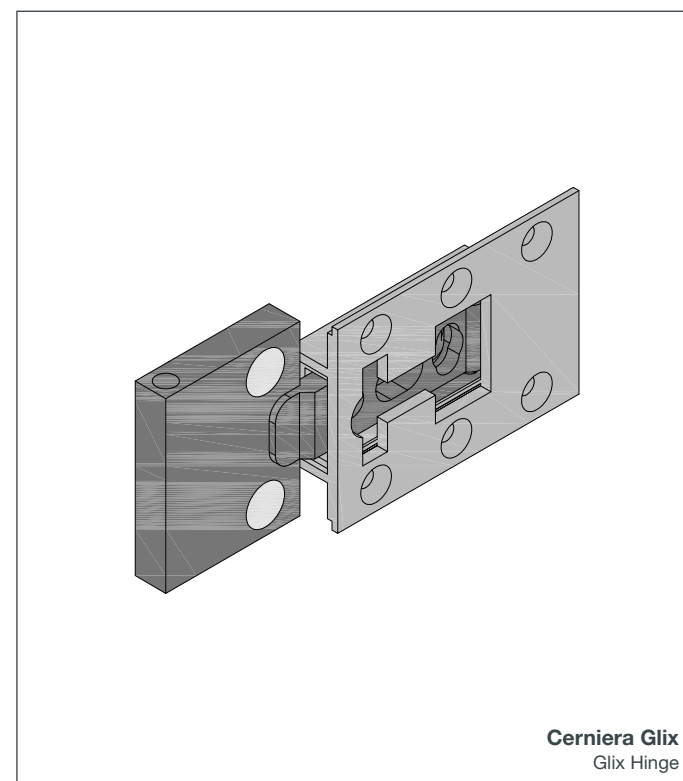
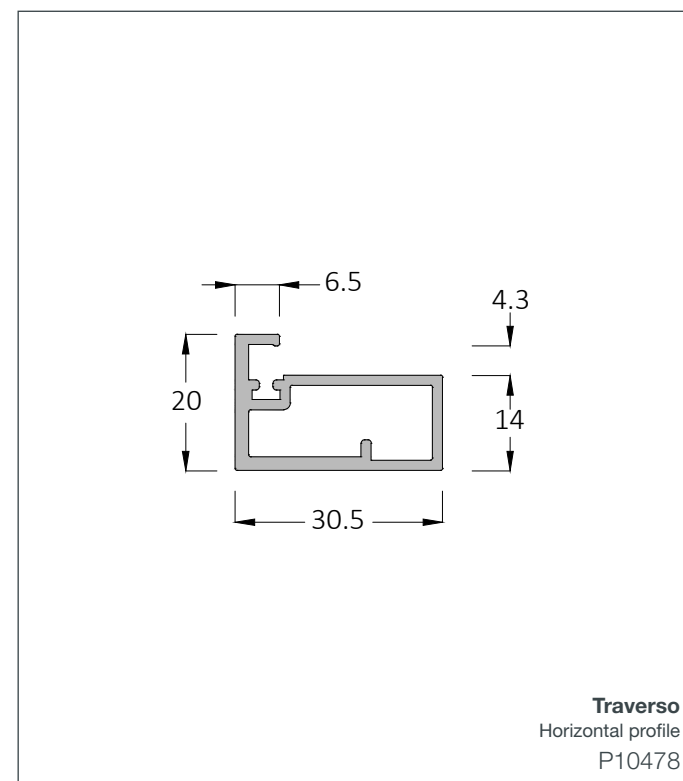
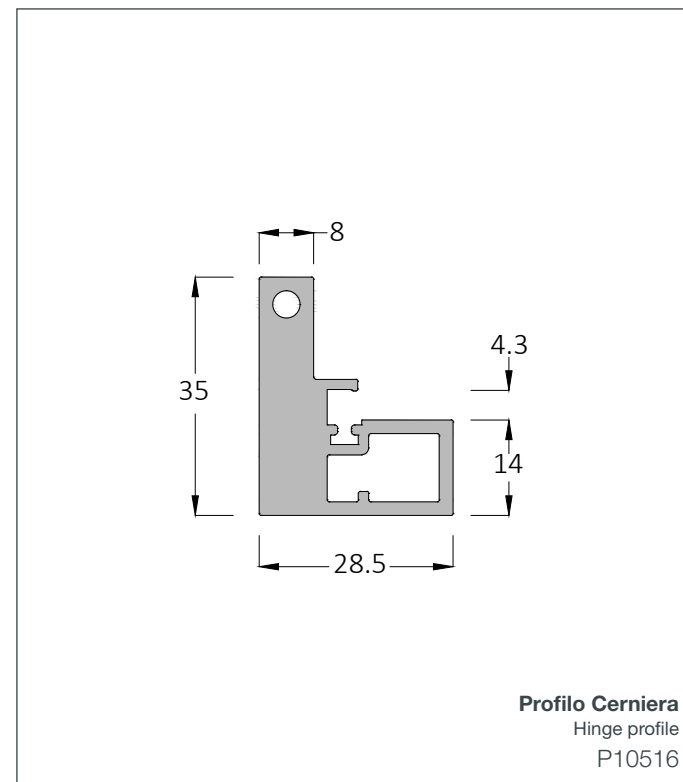
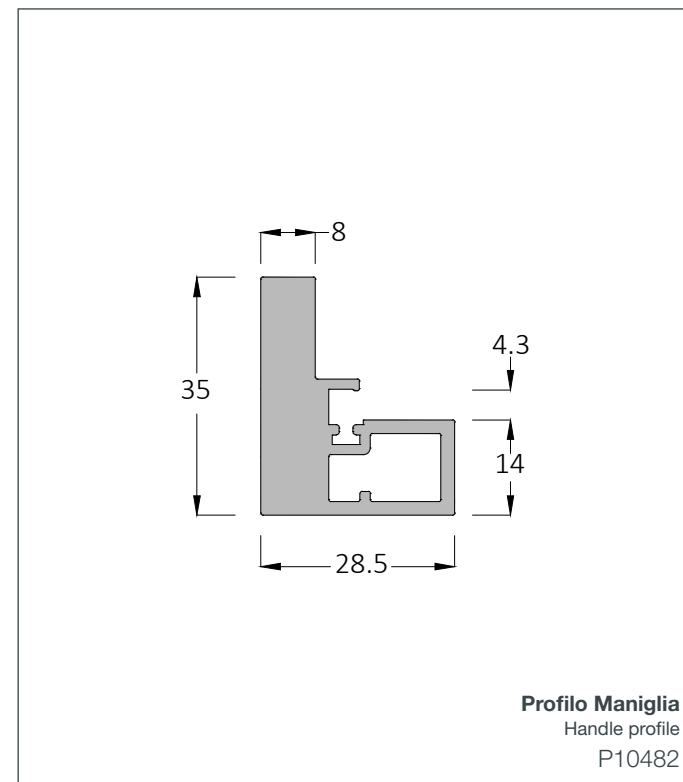


Glix

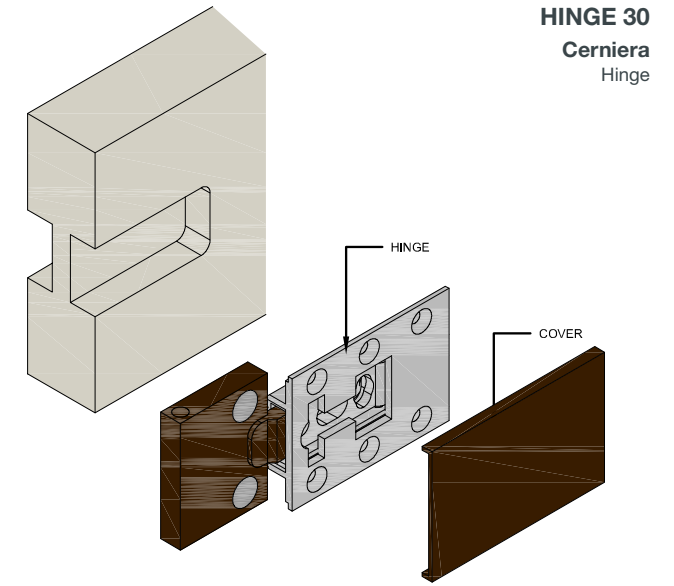
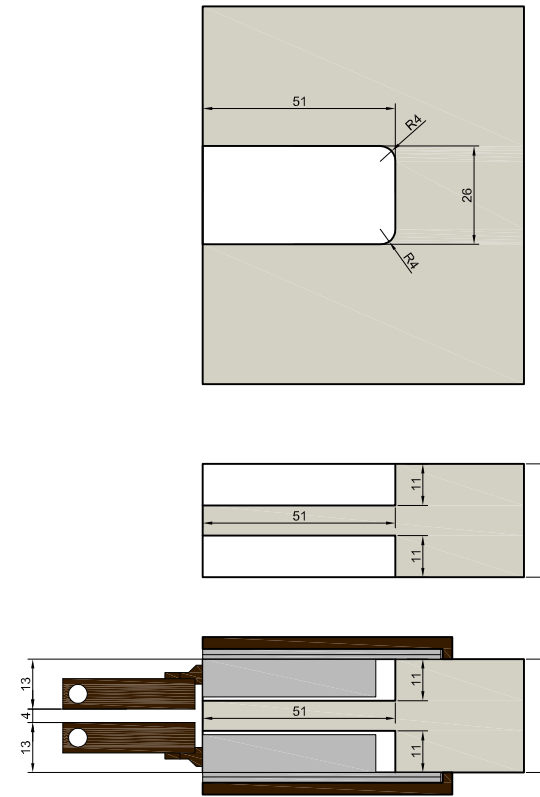
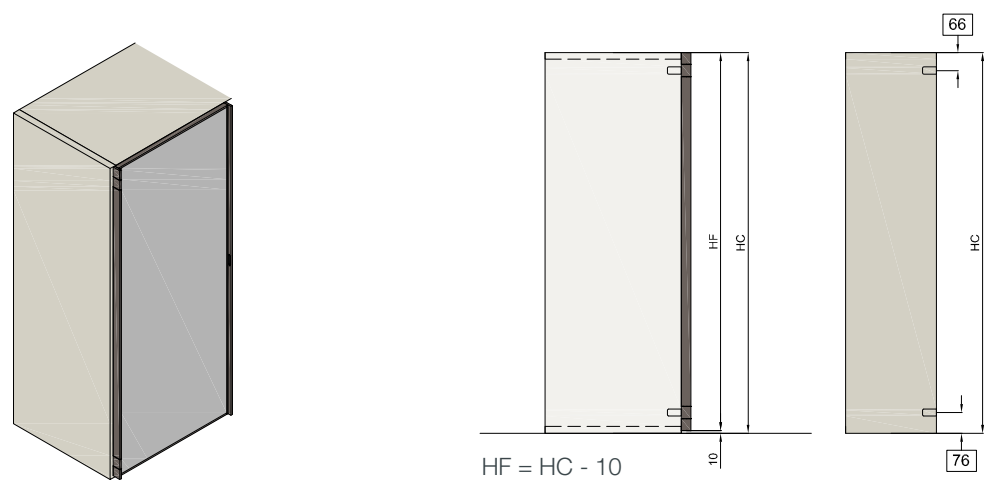
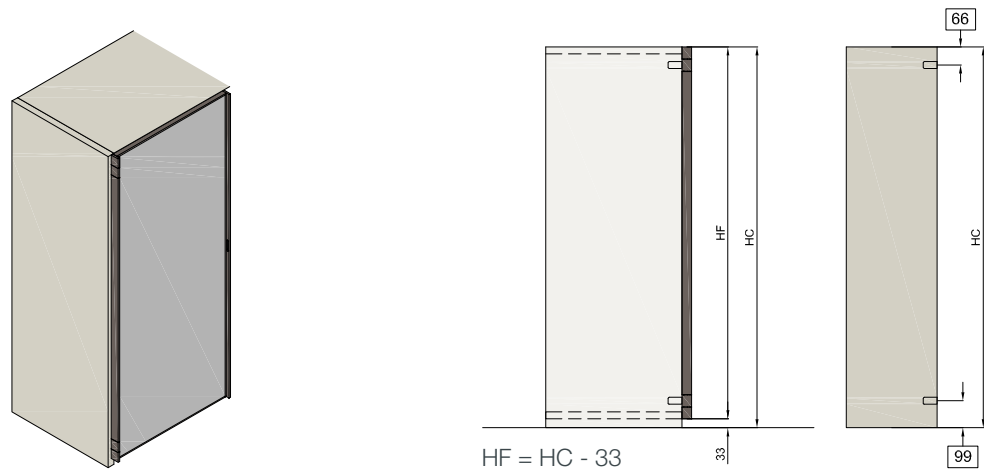
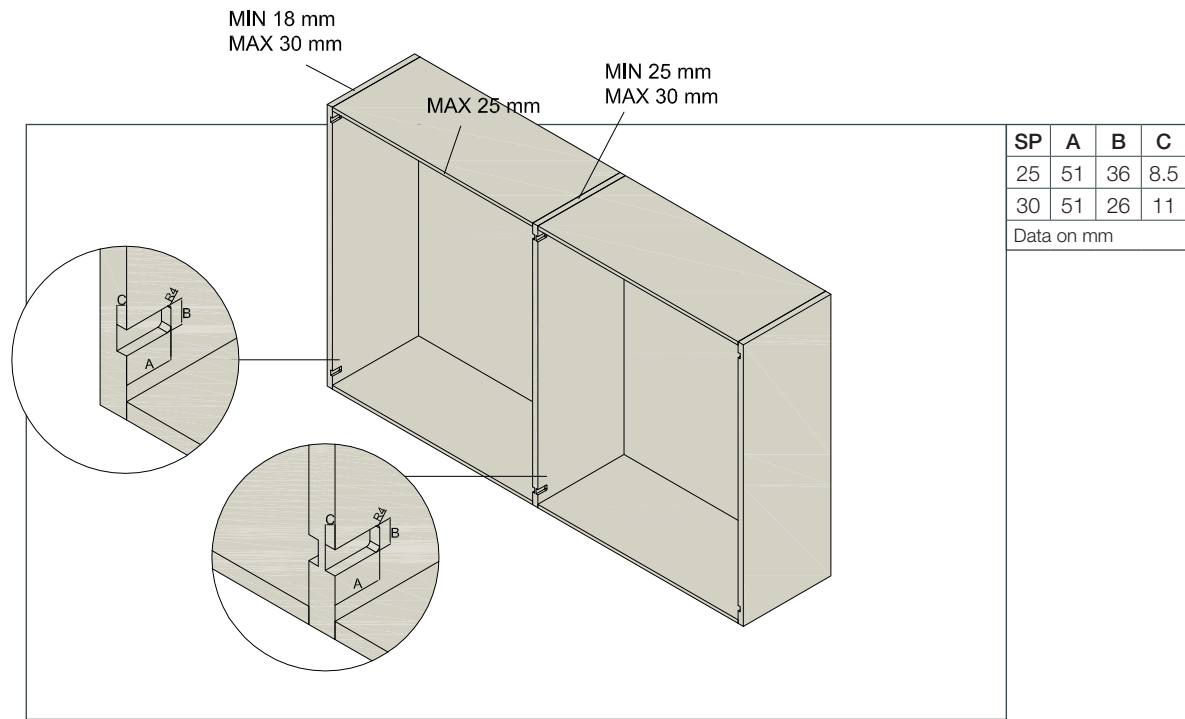
ANTE IN ALLUMINIO

ALUMINIUM FRAMES



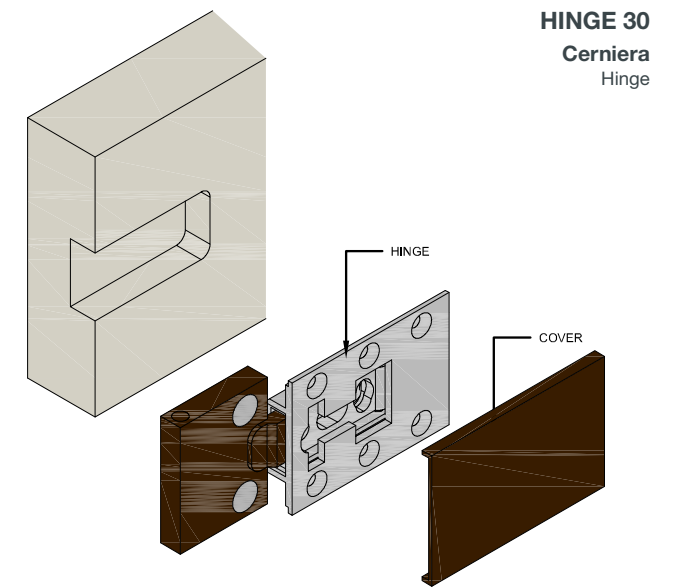
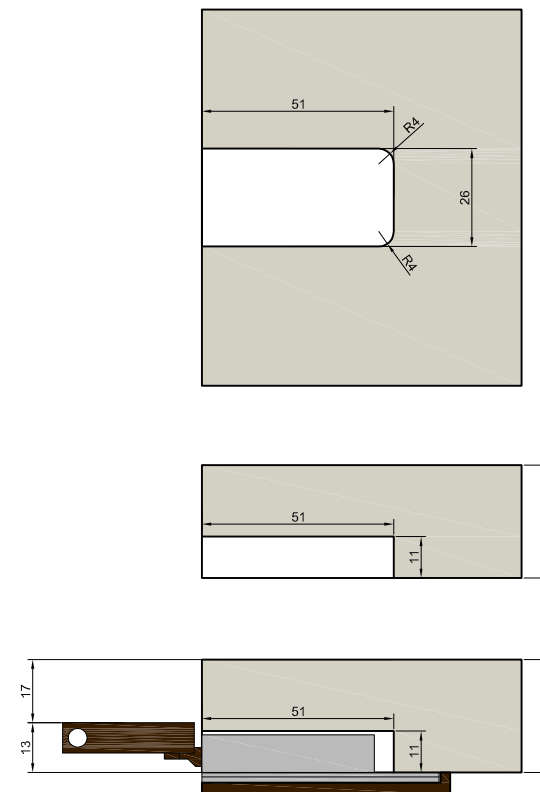


Patented pending



DOUBLE HINGES APPLICATION

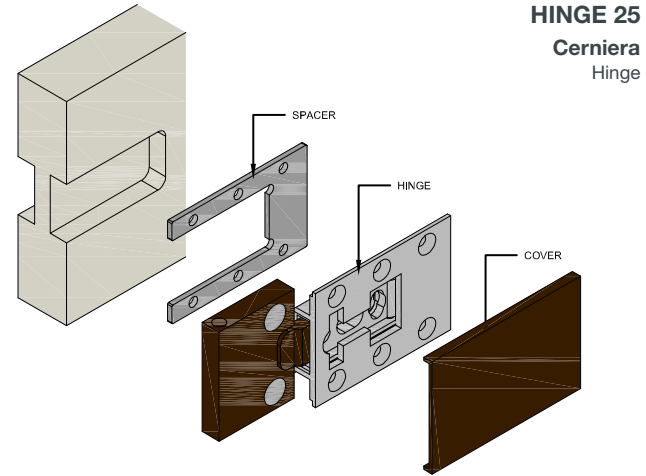
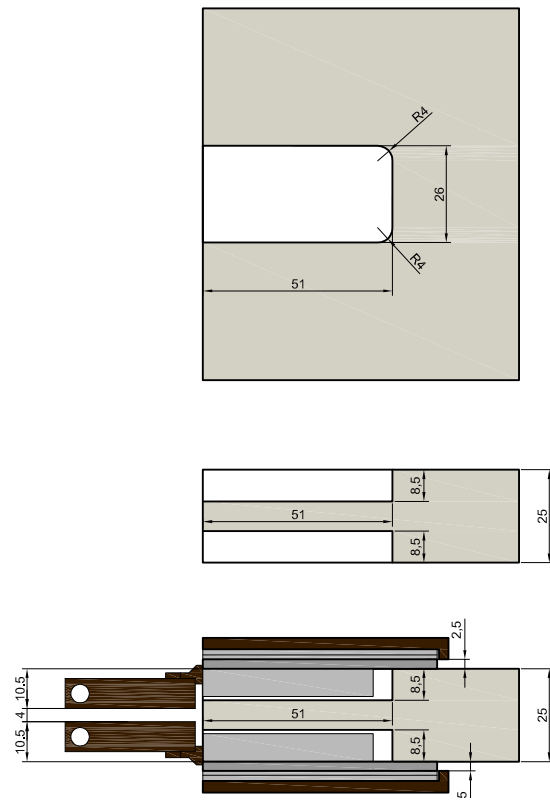
Side Panel sp. 30



SINGLE HINGE APPLICATION

Side Panel sp. 30

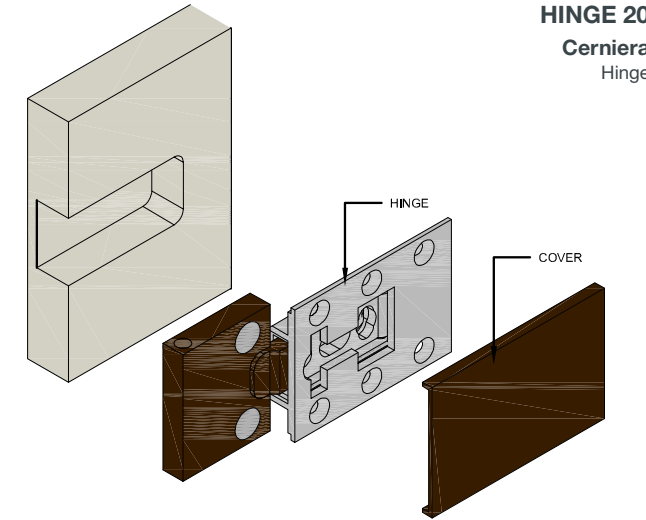
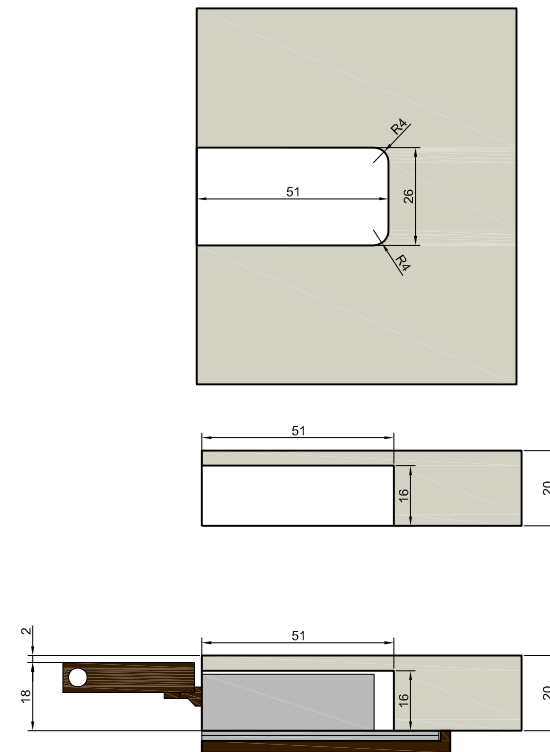
HINGE 30
Cerniera
Hinge



HINGE 25
Cerniera
Hinge

DOUBLE HINGES
APPLICATION

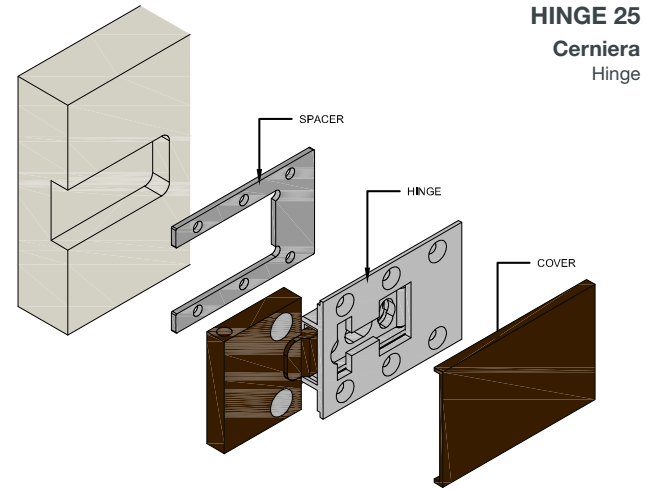
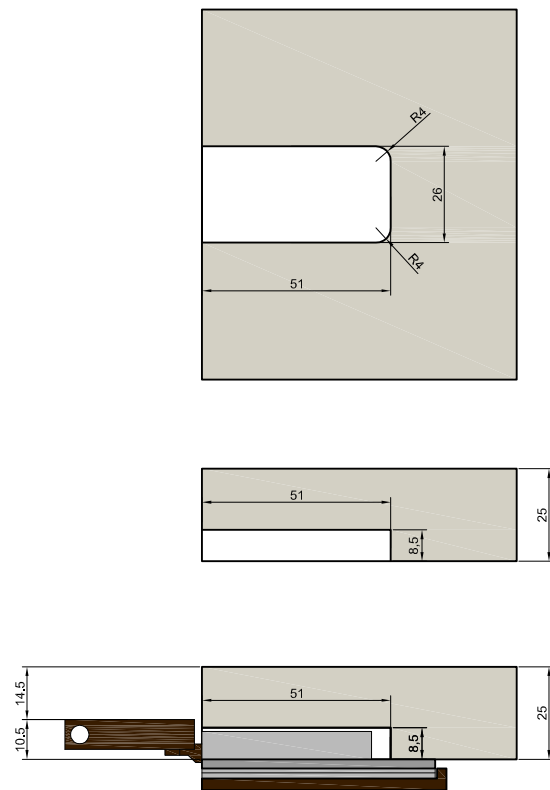
Side Panel sp. 25



HINGE 20
Cerniera
Hinge

SINGLE HINGE
APPLICATION

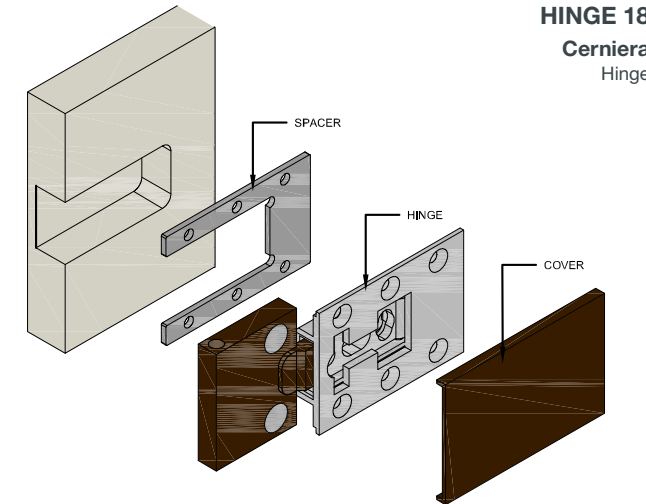
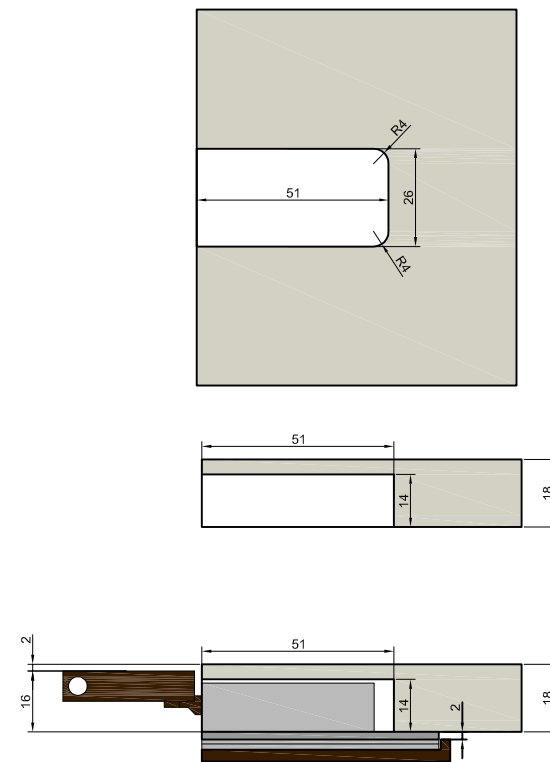
Side Panel sp. 20



HINGE 25
Cerniera
Hinge

SINGLE HINGE
APPLICATION

Side Panel sp. 25



HINGE 18
Cerniera
Hinge

SINGLE HINGE
APPLICATION

Side Panel sp. 18