

Glix

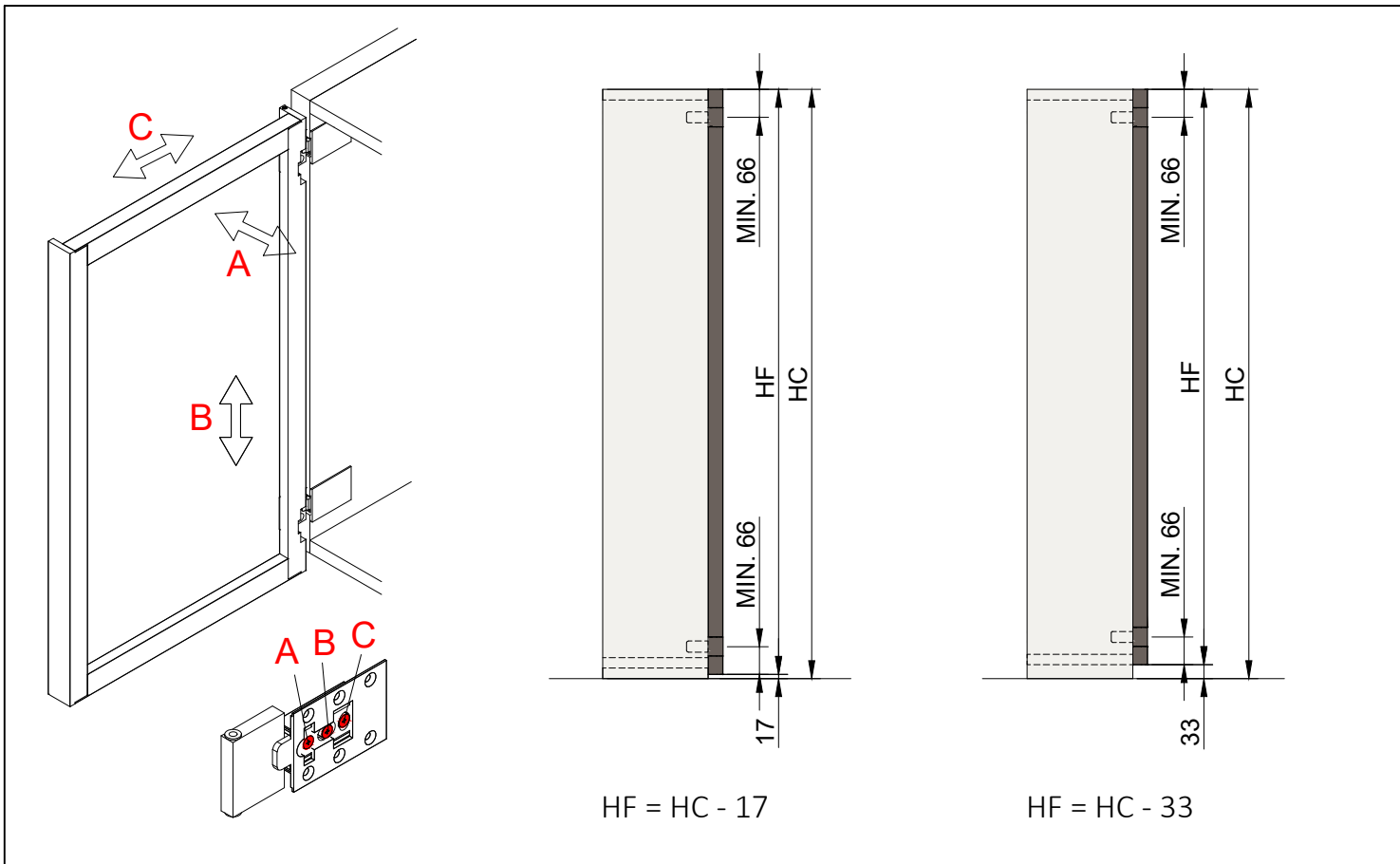
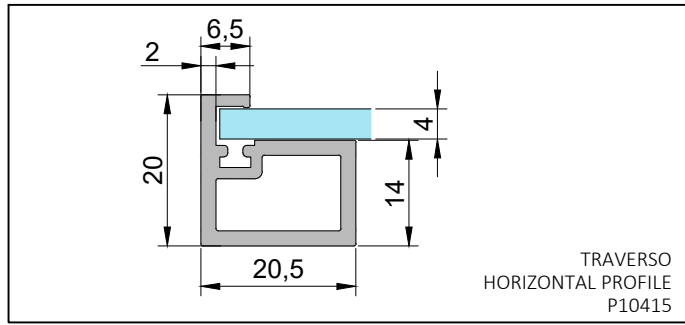
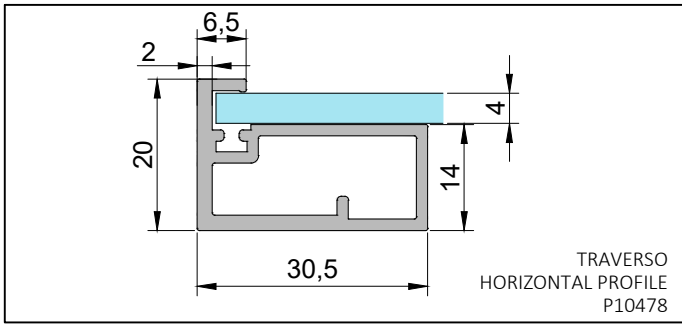
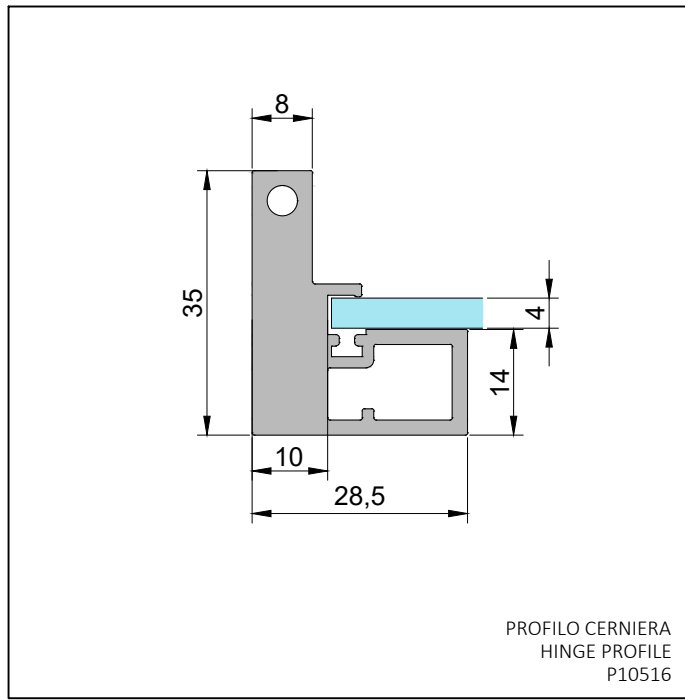
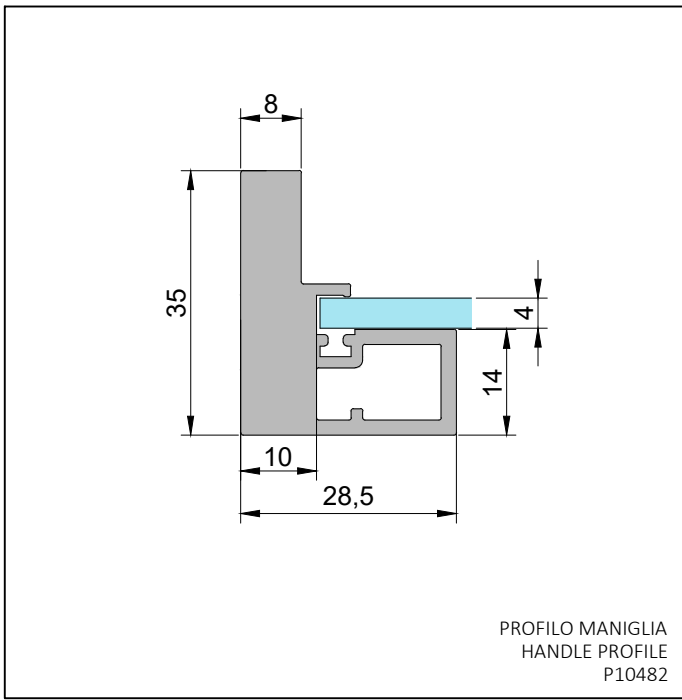
CERNIERA + ANTA TELAIO

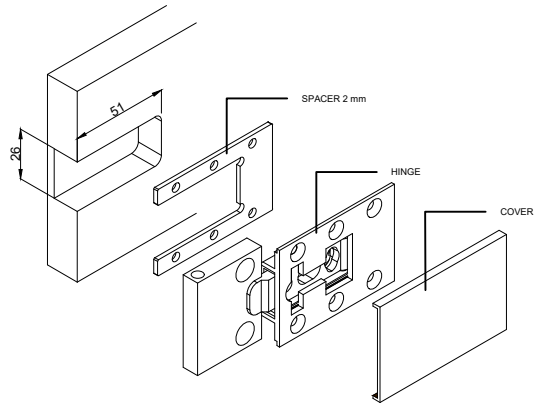
HINGE + ALU FRAME



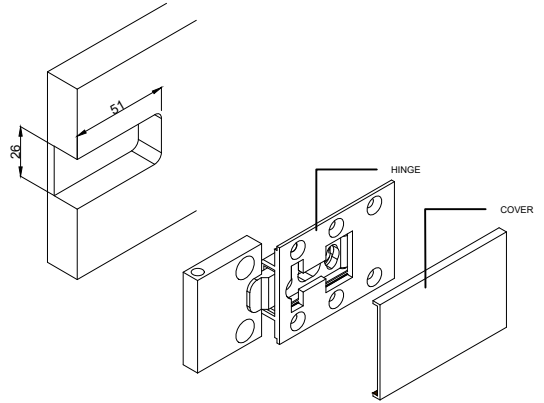
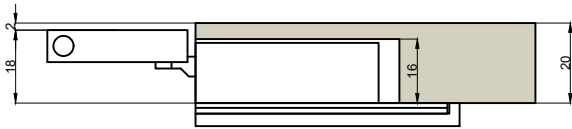
PATENT



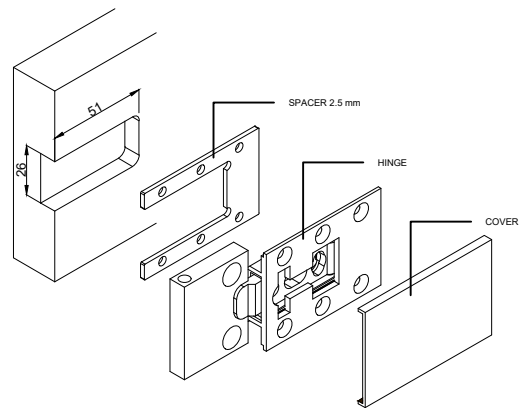
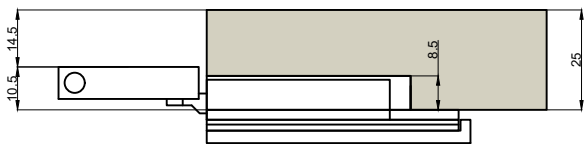




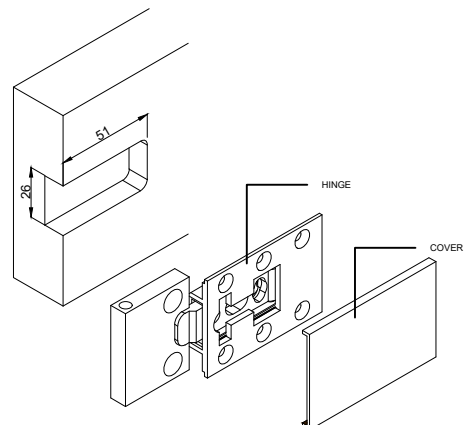
HINGE 18



HINGE 20

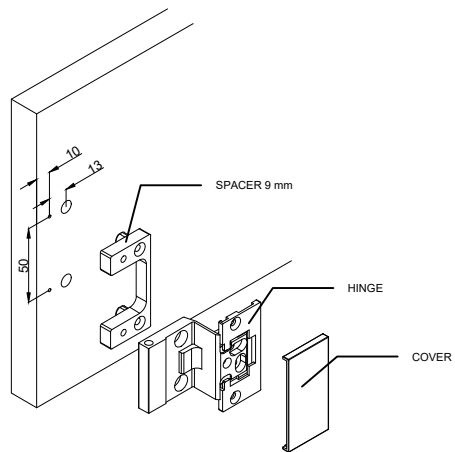
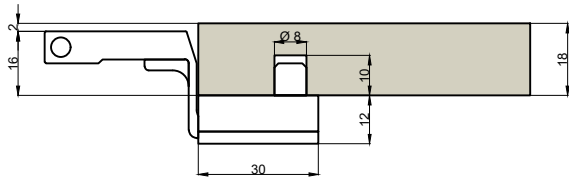


HINGE 25

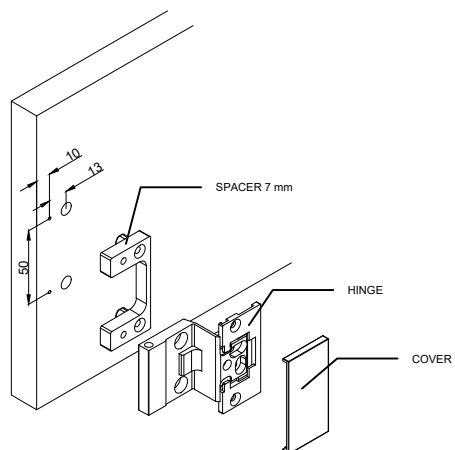
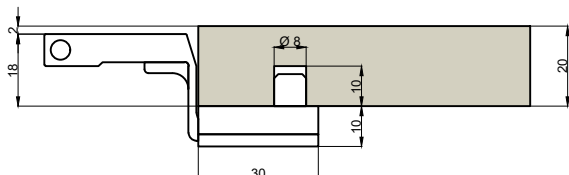


HINGE 30

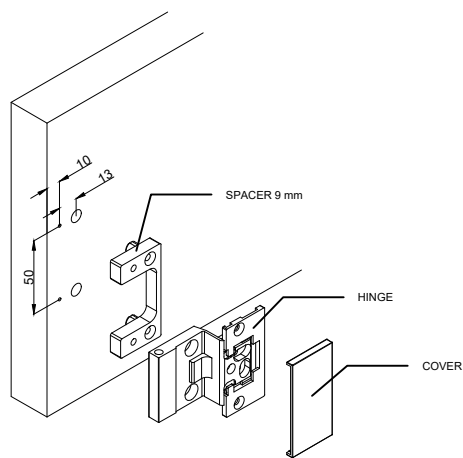
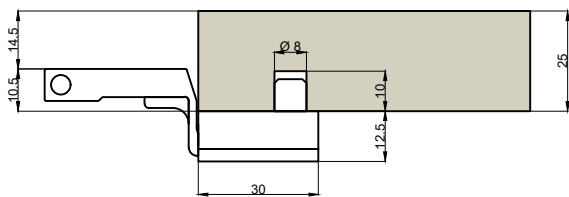
Glix 3.0



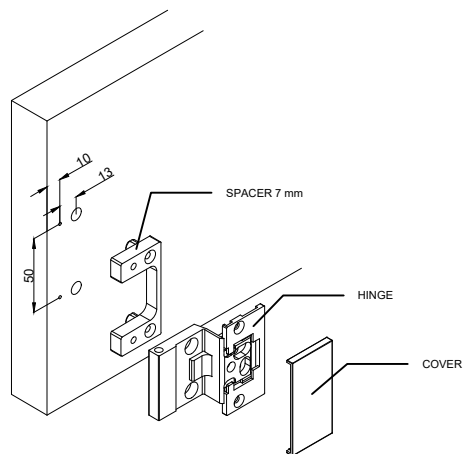
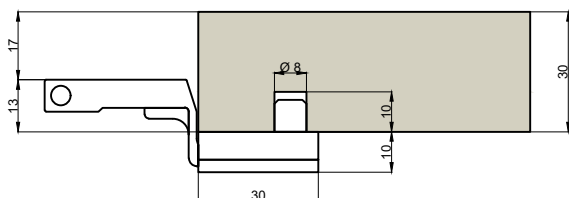
HINGE 18 3.0



HINGE 20 3.0



HINGE 25 3.0

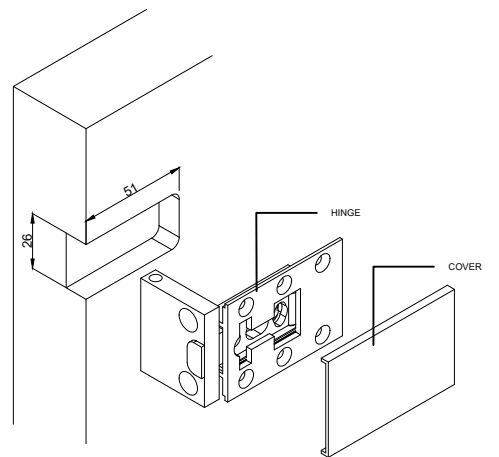
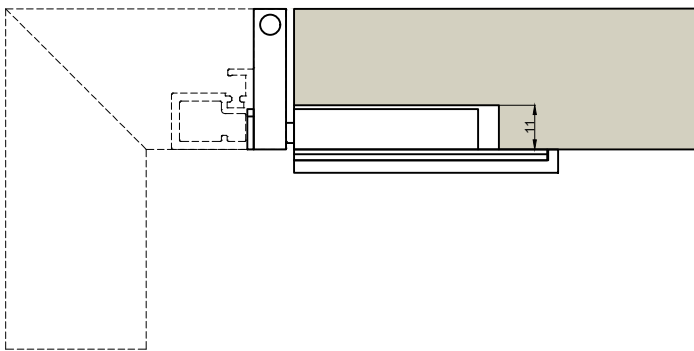
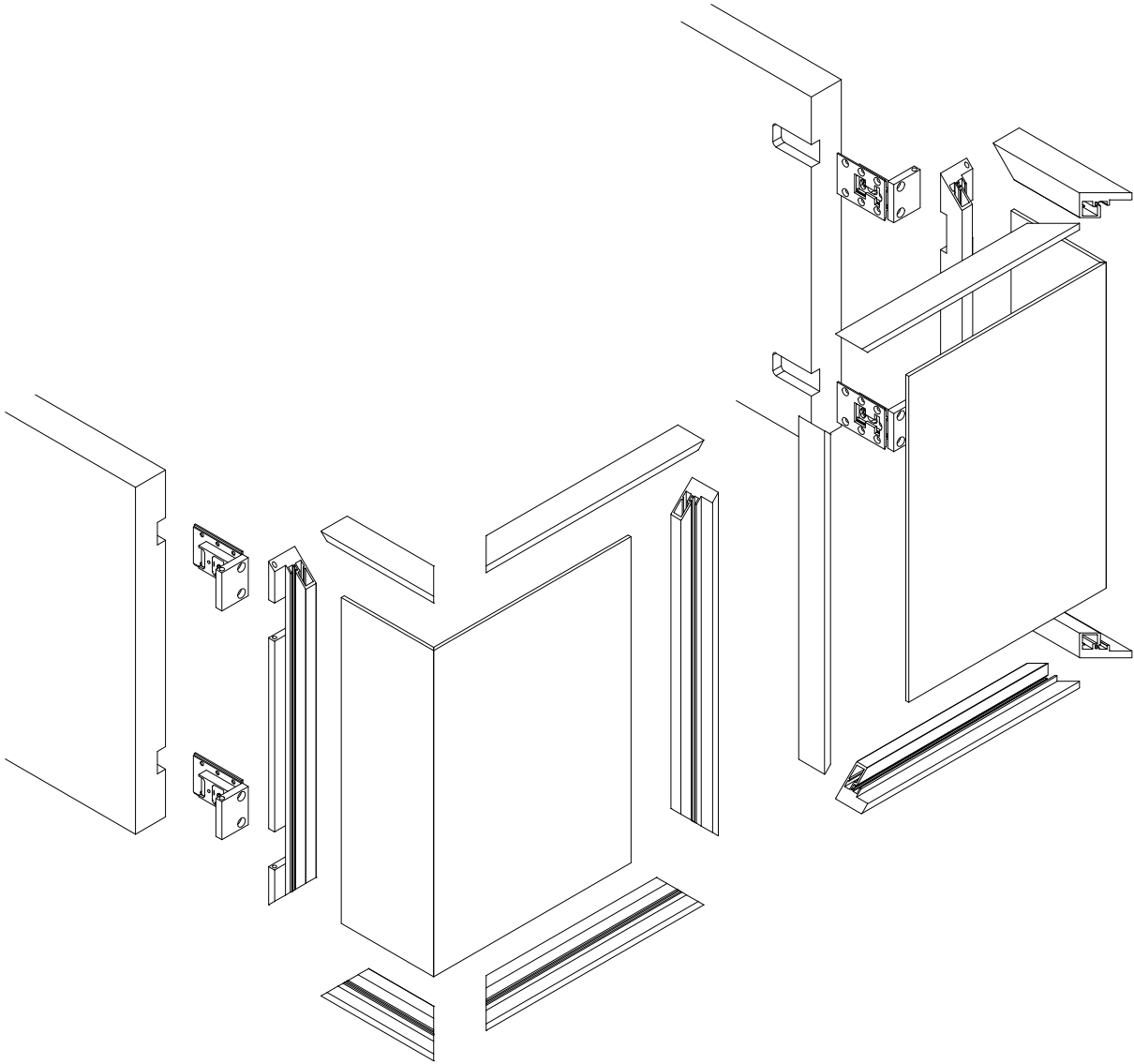


HINGE 30 3.0

Glix 90



PATENT

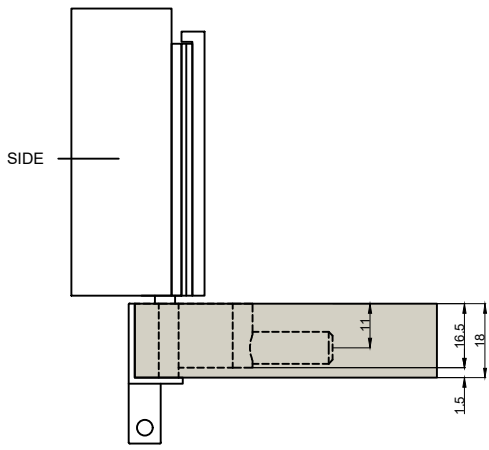


Glix ON

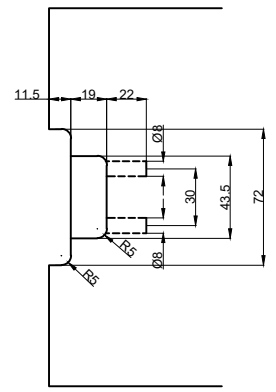
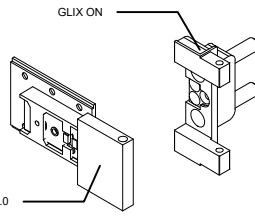
CERNIERA PER ANTA LEGNO

WOODEN HINGE

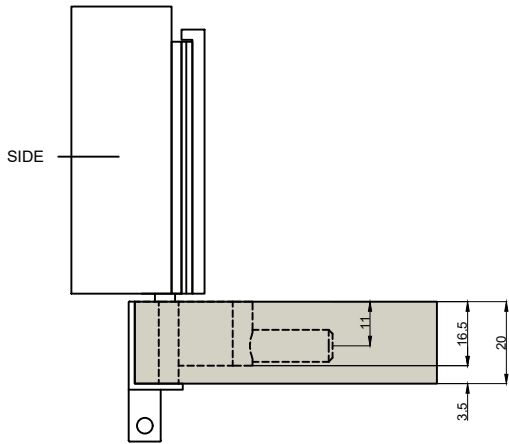




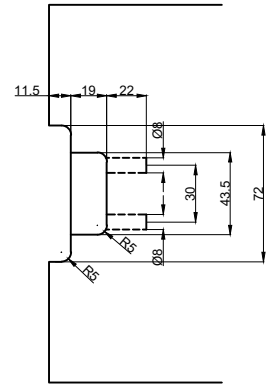
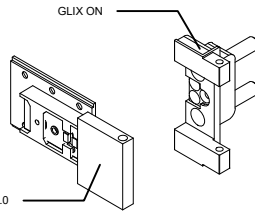
GLIX OR GLIX 3.0



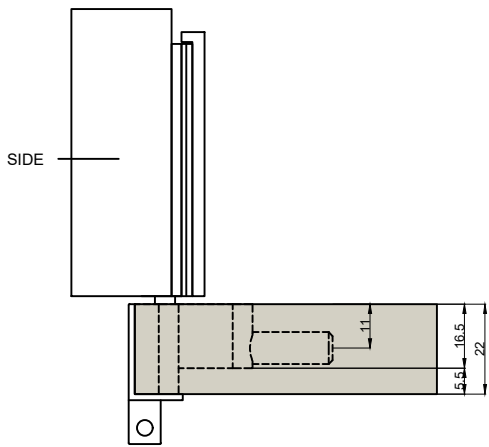
DOORS 18



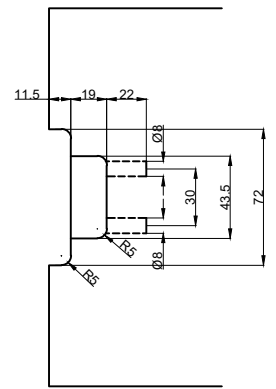
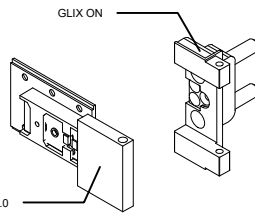
GLIX OR GLIX 3.0



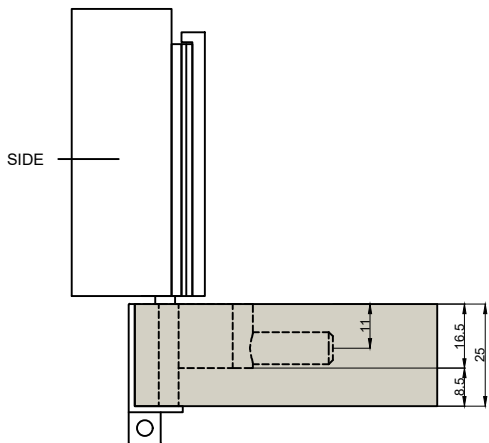
DOORS 20



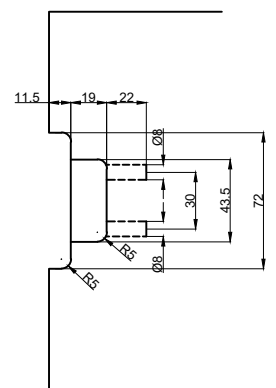
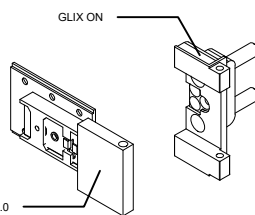
GLIX OR GLIX 3.0



DOORS 22



GLIX OR GLIX 3.0



DOORS 25