



The Fuelpod Versatile range has been designed for multi purpose applications.



Available Sizes

- ✓ FPV-2500L
- ✓ FPV-5500L
- ✓ FPV-9000L
- ✓ FPV-11000L
- ✓ FPV-16000L
- ✓ FPV-22000L

fuelpod
versatile



fuelpod

versatile

Enhanced Design Features

Maintenance & Environment

The FuelPod is comprised of an innovative double wall tank design which comes with a removable flow forge spill tray floor. It is constructed with a raised pedestrian door to allow for seepage control and employs a man-way cover conveniently located on the rooftop to provide easy access for cleaning, maintenance and inspections.

Safety & Security

The FuelPod Versatile Bunded Tank has a walk in pedestrian door with a secure 3 point locking system, ensuring it is static and safe during fuelling.

Dispensing & Accessibility

The FuelPod Bunded Tank Range has an easily accessible camlock fill pipe connection point conveniently located just inside the pedestrian door. The Range also has an ingenious bracket system that houses 4m to 6m standard hose reels and dispensing nozzles with either analog or digital gauges. An optional 8m to 15m retractable hose is also available.

Finally the FuelPod Bunded Tanks can be conveniently adapted with a fuel management system.



Design Innovation

Take a look inside

The innovative Fuelpod versatile range of fuel storage tanks comprises a double wall tank in tank design and has an extra large equipment compartment area located behind a walk in pedestrian access door with 3 point locking system for extra security.

The range has been designed with an Internal over fill protection valve and comes complete with four ISO lifting eyes providing convenient maneuverability and is finished off with a sturdy integrated frame design, allowing it to be the tank of choice for discerning rental companies' worldwide.



Superior Features



4 x lifting hooks for easy lifting. Easy access to the inner tank. External ports and fittings.



Internal ladder for ease of access for routine maintenance. Submersible shut off valve.



Flow forge floor for spillage and leak protection. Multiple ports and fitting options.

Optional Accessories



Fitted with a Piusi fuel management system, Donaldson inline partial filter, and 12M retractable hose reel.



Fitted with a Panther 56 Piusi pump kit, which includes a 4M hose and dispensing nozzle.



3 point lockable door, complete with a 3" fill pipe and Camlock fitting as standard.

fuelpod

versatile

Model (FPV-2500L)

The FuelPod Versatile FPV-2500L Bunded Tank has been designed with safety in mind.

It safely secures the storage of bulk fuels and is designed for static application.



Specifications

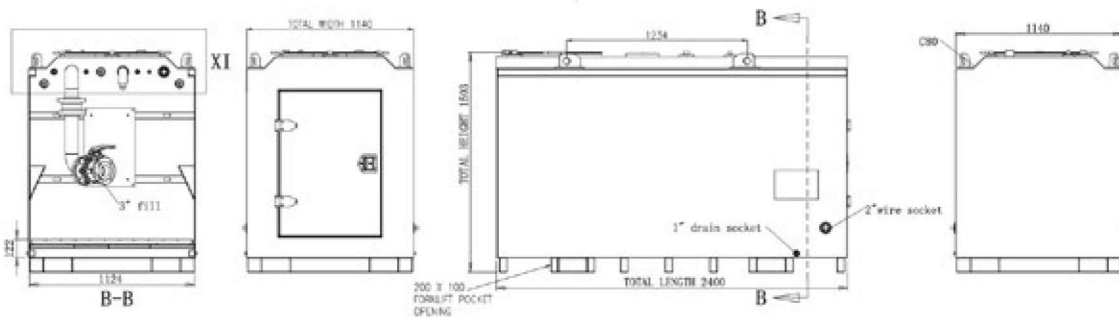
Metric

Capacity	2500 Litres
Length	2400 mm
Width	1140 mm
Height	1503 mm
Cabinet Depth	508 mm
Tank Material	S235 (3 mm)
Mass (empty)	1061 kg
Mass (with fuel)	3199 kg

Approvals and Certifications

UK & Europe

- ✓ Static Tank Design
- ✓ 110% Bunded Tank
- ✓ Adhering to BS799 Part 5 Standard
- ✓ PG 2 (Protection Pollution Guidelines)
- ✓ Coded Welding Standards UK and European



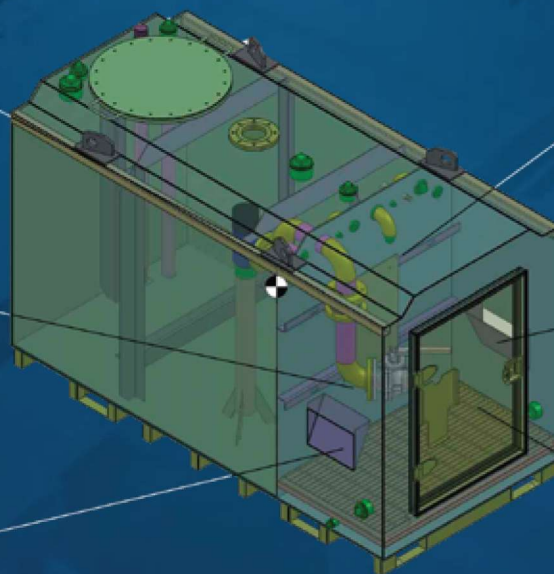
DISPENSING NOZZLE VARIATIONS



HOSES WITH ISO QUICK RELEASE COUPLERS



UP TO 15M / 50FT RETRACTABLE HOSE REELS



(FMS) FUEL MANAGEMENT SYSTEM



ENGINE DRIVEN OR ELECTRIC PUMPS



IN LINE PARTIAL SEPARATION FILTERS

fuelpod

versatile

Model (FPV-5500L)

The FuelPod Versatile FPV-5500L Bunded Tank has been designed with safety in mind.

It safely secures the storage of bulk fuels and is designed for static application.



Specifications

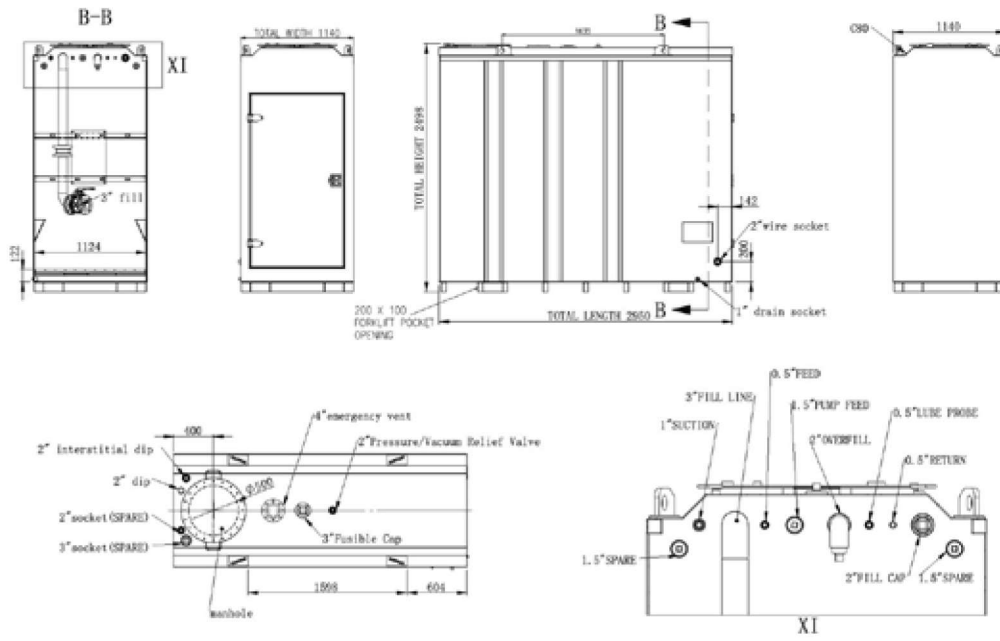
Metric

Capacity	5500 Litres
Length	2950 mm
Width	1140 mm
Height	2498 mm
Cabinet Depth	688 mm
Tank Material	S235 (3 mm)
Mass (empty)	1808 kg
Mass (with fuel)	6511 kg

Approvals and Certifications

UK & Europe

- ✓ Static Tank Design
- ✓ 110% Bunded Tank
- ✓ Adhering to BS799 Part 5 Standard
- ✓ PG 2 (Protection Pollution Guidelines)
- ✓ Coded Welding Standards UK and European



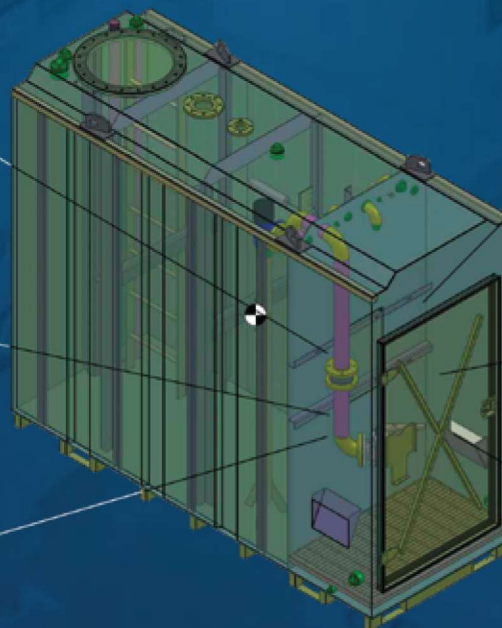
DISPENSING NOZZLE VARIATIONS



HOSES WITH ISO QUICK RELEASE COUPLERS



UP TO 15M / 50FT RETRACTABLE HOSE REELS



(FMS) FUEL MANAGEMENT SYSTEM



ENGINE DRIVEN OR ELECTRIC PUMPS



IN LINE PARTIAL SEPARATION FILTERS

fuelpod

versatile

Model (FPV-9000L)

The FuelPod Versatile FPV-9000L Bunded Tank has been designed with safety in mind.

It safely secures the storage of bulk fuels and is designed for static application.



Specifications

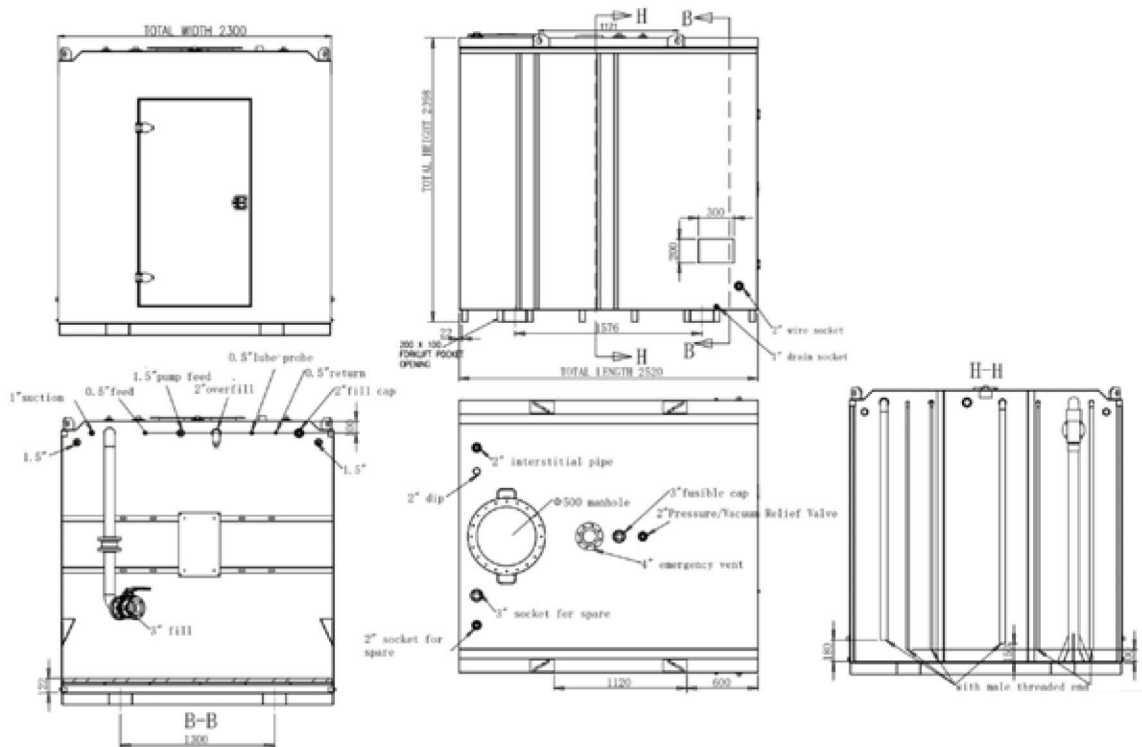
Metric

Capacity	9000 Litres
Length	2520 mm
Width	2300 mm
Height	2398 mm
Cabinet Height	500 mm
Tank Material	S235 (4 mm)
Mass (empty)	2810 kg
Mass (with fuel)	10505 kg

Approvals and Certifications

UK & Europe

- ✓ Static Tank Design
- ✓ 110% Bunded Tank
- ✓ Adhering to BS799 Part 5 Standard
- ✓ PG 2 (Protection Pollution Guidelines)
- ✓ Coded Welding Standards UK and European



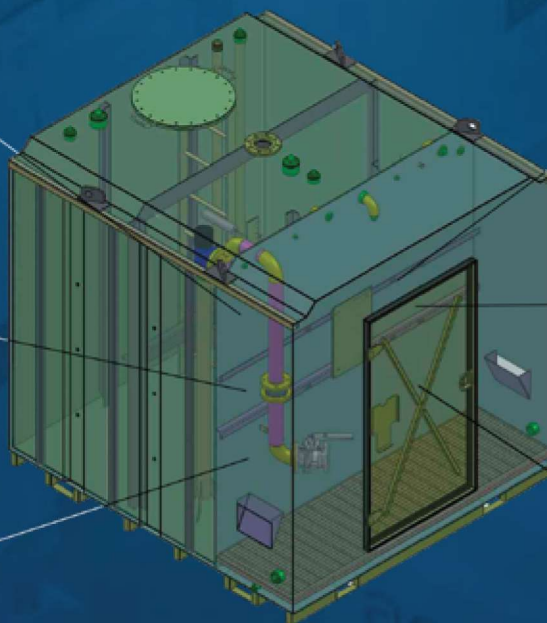
DISPENSING NOZZLE VARIATIONS



HOSES WITH ISO QUICK RELEASE COUPLERS



UP TO 15M / 50FT RETRACTABLE HOSE REELS



(FMS) FUEL MANAGEMENT SYSTEM



ENGINE DRIVEN OR ELECTRIC PUMPS



IN LINE PARTIAL SEPARATION FILTERS

fuelpod

versatile

Model (FPV-11000L)

The FuelPod Versatile FPV-11000L Bunded Tank has been designed with safety in mind.

It safely secures the storage of bulk fuels and is designed for static application.



Specifications

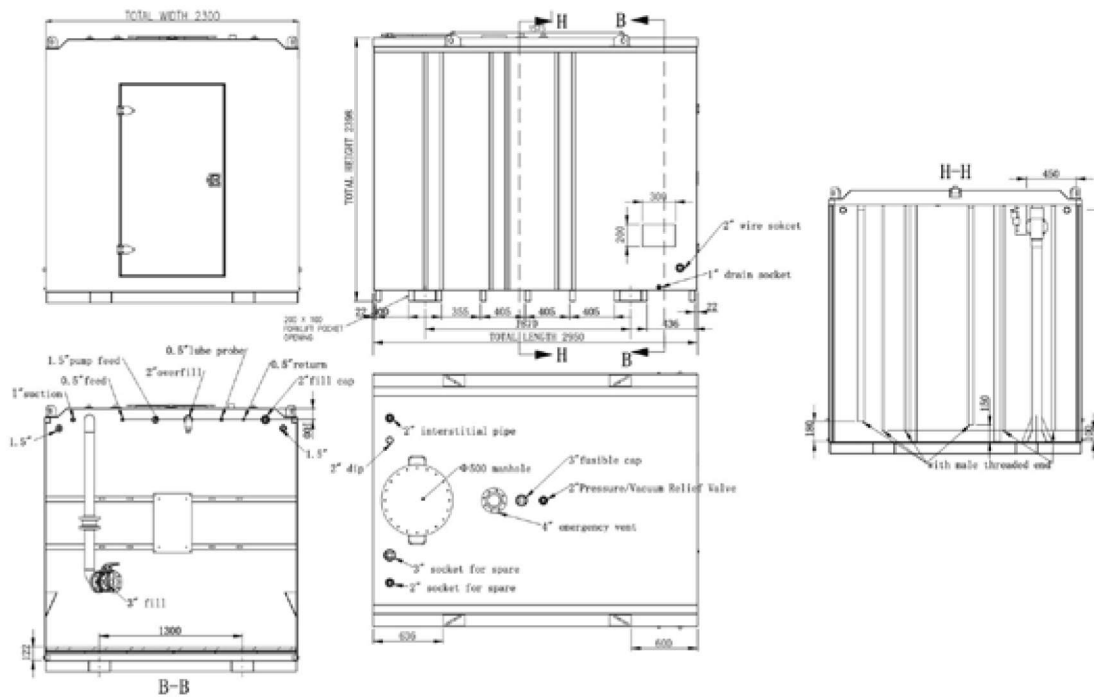
Metric

Capacity	11000 Litres
Length	2950 mm
Width	2300 mm
Height	2398 mm
Cabinet Height	688 mm
Tank Material	S235 (3 mm)
Mass (empty)	2544 kg
Mass (with fuel)	11949 kg

Approvals and Certifications

UK & Europe

- ✓ Static Tank Design
- ✓ 110% Bunded Tank
- ✓ Adhering to BS799 Part 5 Standard
- ✓ PG 2 (Protection Pollution Guidelines)
- ✓ Coded Welding Standards UK and European



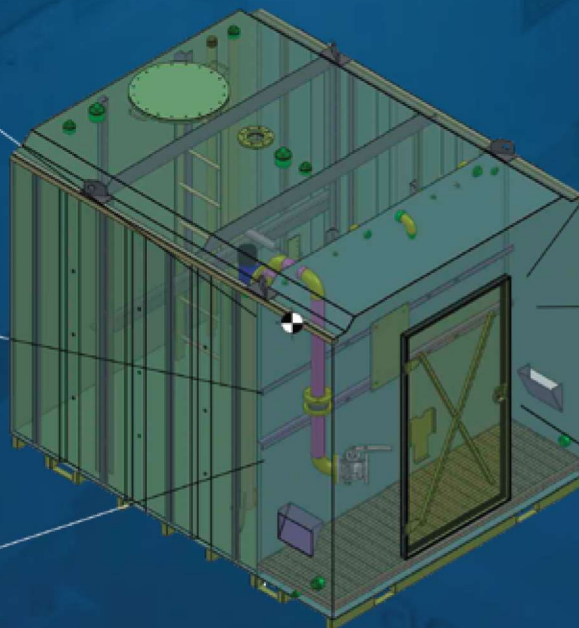
DISPENSING NOZZLE VARIATIONS



HOSES WITH ISO QUICK RELEASE COUPLERS



UP TO 15M / 50FT RETRACTABLE HOSE REELS



(FMS) FUEL MANAGEMENT SYSTEM



ENGINE DRIVEN OR ELECTRIC PUMPS



IN LINE PARTIAL SEPARATION FILTERS

fuelpod

versatile

Model (FPV-16000L)

The FuelPod Versatile FPV-16000L Bunded Tank has been designed with safety in mind.

It safely secures the storage of bulk fuels and is designed for static application.



Specifications

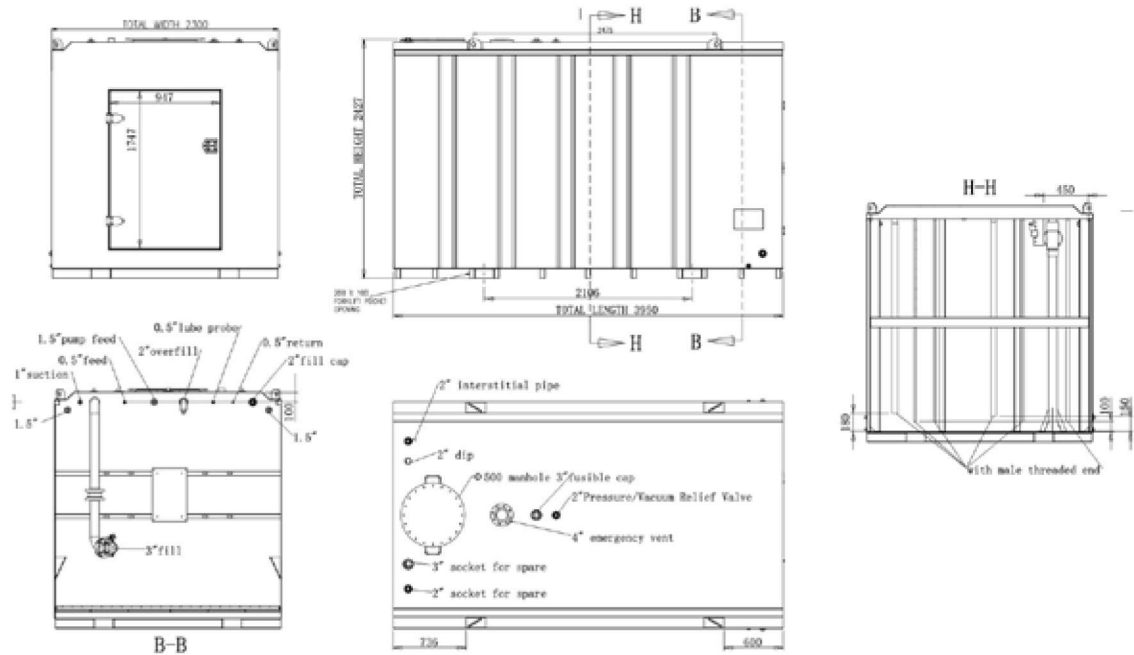
Metric

Capacity	16000 Litres
Length	3950 mm
Width	2300 mm
Height	2472 mm
Cabinet Height	688 mm
Tank Material	S235 (3 mm)
Mass (empty)	3087 kg
Mass (with fuel)	16767 kg

Approvals and Certifications

UK & Europe

- ✓ Static Tank Design
- ✓ 110% Bunded Tank
- ✓ Adhering to BS799 Part 5 Standard
- ✓ PG 2 (Protection Pollution Guidelines)
- ✓ Coded Welding Standards UK and European



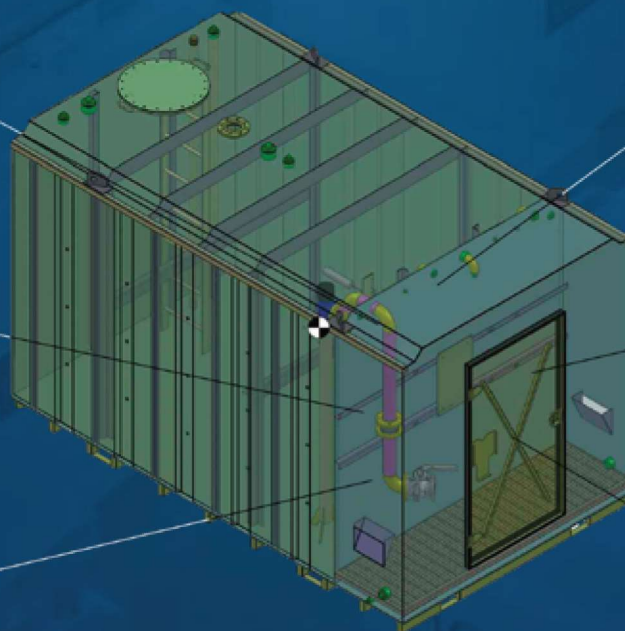
DISPENSING NOZZLE VARIATIONS



HOSES WITH ISO QUICK RELEASE COUPLERS



UP TO 15M / 50FT RETRACTABLE HOSE REELS



(FMS) FUEL MANAGEMENT SYSTEM



ENGINE DRIVEN OR ELECTRIC PUMPS



IN LINE PARTIAL SEPARATION FILTERS

fuelpod

versatile

Model (FPV-22000L)

The FuelPod Versatile FPV-22000L Bunded Tank has been designed with safety in mind.

It safely secures the storage of bulk fuels and is designed for static application.



Specifications

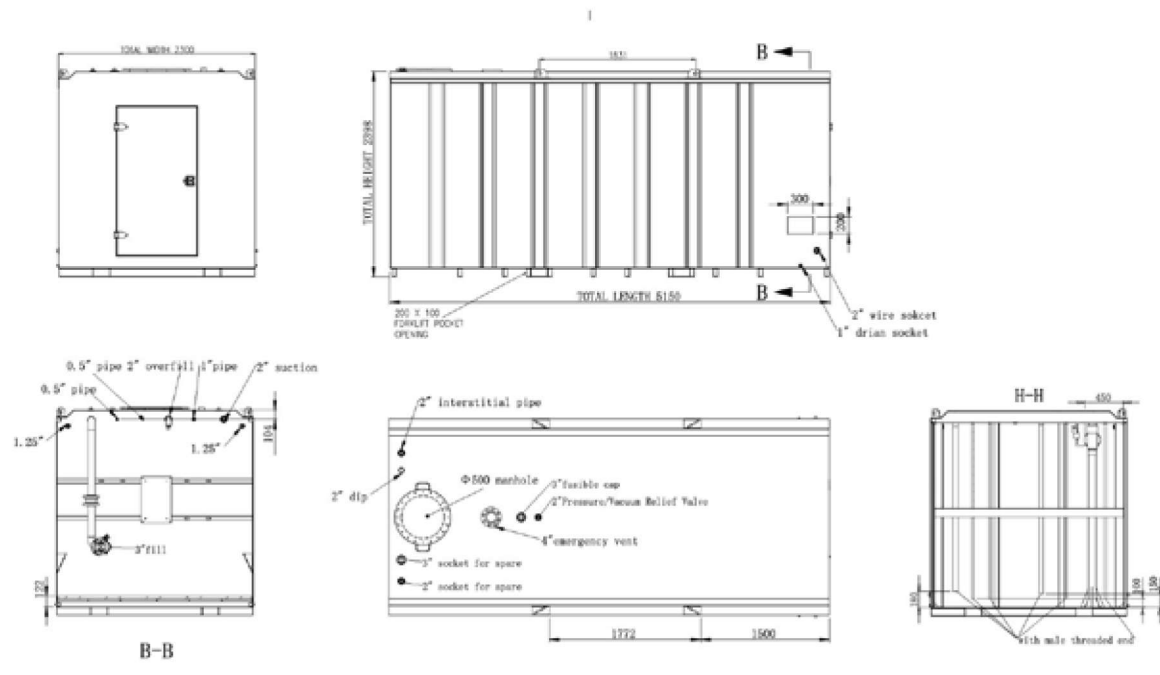
Metric

Capacity	22000 Litres
Length	5150 mm
Width	2300 mm
Height	2398 mm
Cabinet Height	688 mm
Tank Material	S235 (3 mm)
Mass (empty)	3615 kg
Mass (with fuel)	22425 kg

Approvals and Certifications

UK & Europe

- ✓ Static Tank Design
- ✓ 110% Bunded Tank
- ✓ Adhering to BS799 Part 5 Standard
- ✓ PG 2 (Protection Pollution Guidelines)
- ✓ Coded Welding Standards UK and European



DISPENSING NOZZLE VARIATIONS



HOSES WITH ISO QUICK RELEASE COUPLERS



UP TO 15M / 50FT RETRACTABLE HOSE REELS



(FMS) FUEL MANAGEMENT SYSTEM



ENGINE DRIVEN OR ELECTRIC PUMPS



IN LINE PARTIAL SEPARATION FILTERS



Fuelling Your Progress

DyMac Global LTD / DYMAC UK

E: sales@dymacglobal.com

T: +44 300 303 3353

LONG LANE FARM

ASCOT ROAD, HOLYPORT

MAIDENHEAD

BERKSHIRE SL6 3LG

UNITED KINGDOM

DYMAC INDIA PVT

E: india@dymacglobal.com

T: +918243559370

CITY GATE COMMERCIAL

COMPLEX, FOURTH FLOOR

KADRI TOLL GATE, KADRI

MANGALORE - 575002

INDIA

DYMAC CANADA INC

E: canada@dymacglobal.com

T: +1905 564 3654

MISSISSAUGA

TORONTO

CANADA

DYMAC IRELAND

E: ireland@dymacglobal.com

T: +353 1 442 0516

BROWNSTOWN ROAD

COMMONS, NEWCASTLE,

CO. DUBLIN,

D22 Y2F2

IRELAND

DYMAC USA INC

E: usa@dymacglobal.com

T: +1 905 564 3654

3028 GREENMOUNT AVE #2038

BALTIMORE, MD

UNITED STATES 21218