



Tennessee State Tournament Packet

Softball

9-11

8-10



*little
league*



Welcome

To: State Tournament Participants

Subject: Little League Tennessee State Softball Tournament

Congratulations on your achievement as District Champions as well as your participation in the 2024 Little League Tennessee State Baseball and Softball Tournament. We are extremely pleased to welcome teams from across the state, and look forward to several days of skill, sportsmanship, competition and camaraderie. This information packet has important information that will assist you in preparing for and participating in this tournament. Please review the contents carefully and let me know if you have any questions. With your support and cooperation, everyone associated with the District 9 Little League program is certain that this will be a memorable and rewarding experience for players, parents, family, friends and officials.





Location

Civitan Park
650 Bellamy Lane
Clarksville TN

Home of St Bethlehem Little League





Schedule

NOTE: Managers must bring their team affidavit and all supporting documentation for review by tournament officials to the Manager/Coach Meeting.

Friday, July 12 5:00 pm CDT Coaches Meeting for All Teams

Friday, July 12 4:30 pm CDT Opening Ceremony for All Teams
All Managers (or 1 assistant coach) must attend the mandatory

Manager/Coach meeting

The meeting will be conducted by the Tournament Director and multiple local league officials will be present to answer any questions.



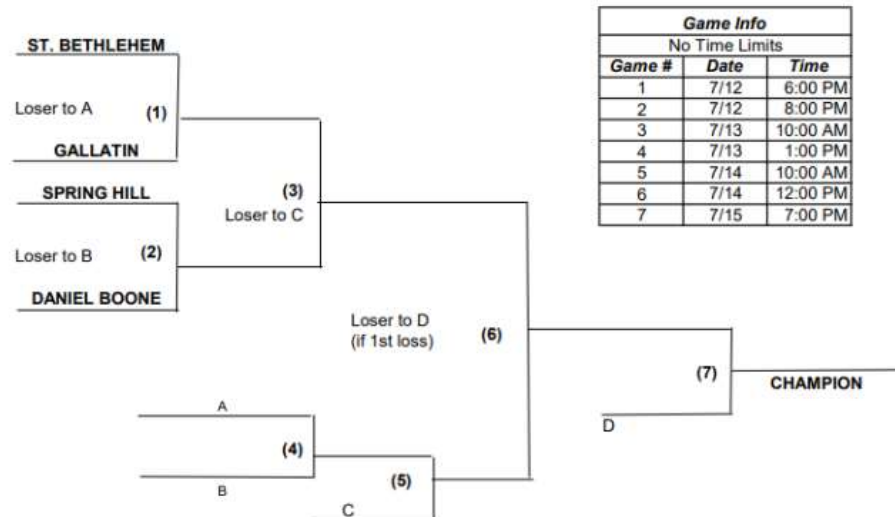


Schedule

9-11 SOFTBALL

St. Bethlehem Civitan Park, 650 Bellamy Lane, Clarksville, Tennessee
All games of Field # 7

**CALL OR TEXT
WINNERS DAILY TO
865-850-4176**





Schedule

8-10 SOFTBALL

St. Bethlehem Civitan Park, 650 Bellamy Lane, Clarksville, Tennessee

**CALL OR TEXT
WINNERS DAILY
TO 865-850-4176**

LaFAYETTE

Loser to A (1)
DICKSON CO.

Loser to F (5)

UNICOI

Loser to B (2)
SPRING HILL

Loser to G (11)

MORRISTOWN

Loser to C (3)
MBSHC

(6)

Loser to E

LEXINGTON

Loser to D (4)
ST. BETH.

(14)
Loser to H
(if 1st loss)

E

(9)

A

(7)

B

(12)

C

(8)

D

(10)

F

(13)

(12)

(10)

Game Info			
No Time Limits			
Game #	Date	Time	Field #
1	7/12	6:00 PM	5
2	7/12	6:00 PM	6
3	7/12	8:00 PM	5
4	7/12	8:00 PM	6
5	7/13	10:00 AM	5
6	7/13	10:00 AM	6
7	7/13	1:00 PM	5
8	7/13	1:00 PM	6
9	7/13	6:00 PM	5
10	7/13	6:00 PM	6
11	7/14	10:00 AM	5
12	7/14	12:00 PM	5
13	7/15	7:00 PM	5
14	7/16	7:00 PM	5
15	7/17	7:00 PM	5

Champion

(15)

H





General Information

Tournament Format

The tournament is double elimination. There may be double headers on the schedule due to weather. The tournament bracket will be sent to you shortly. Games will start shortly after opening ceremony.

Rules

All official Little League Tournament Baseball and Softball rules will apply and will be strictly enforced.

Food

Concession stands will be open and available each day.

Determining Home Team

Arrive 60 minutes prior to the start of your posted game.

Little League Tournament Baseball rules require that the home team be determined by coin toss prior to each game. The Tournament Director or Head Umpire will be responsible for the coin toss to be attended by each team's Manager.





General Information

Lineups:

Your lineup must be completed and turned into the appropriate press box no later than 30 minutes prior to the scheduled start of your game (even if the game before yours is running late). The lineup must legibly include each player's name, uniform number and starting position. The lineup must also include the names of the Manager and all assistant coaches as they will be introduced prior to the start of the game. If any player or coach has a unique name, please tell the PA announcer the correct pronunciation.

Player introductions, National Anthem and Little League Pledge:

10 minutes before game time the PA announcer will introduce players, coaches and umpires. Players and coaches will assemble on their respective baseline as they are announced and remain on the line for the National Anthem and Little League Pledge.

Following the Little League Pledge, Managers will immediately meet with the umpires at home plate for the pregame conference, after which the game will begin.





General Information

Tournament Umpires:

Please remember the umpires are volunteers. They are graciously donating their time and efforts for your team. As such we insist that players, coaches and fans always show sportsmanship and fair play.

Equipment:

Each team should bring only Little League-approved equipment. Umpires will check equipment prior to the start of every game. If equipment does not meet Little League standard of play, equipment will be removed and secured. Equipment will be returned at the end of team's participation in tournament.

