



ALBERTA TARP SYSTEMS, LTD CATALOG

**AUTHORIZED DEALER
OF SIOUX CITY TARP**



SIOUX CITY TARP, Inc.

Alberta Tarp Systems, Ltd.

#7 Main Street, Haynes
Alberta, Canada

Owner: Larry Cocks

Toll Free: 1-866-374-9548

Local Call/Text: 1-403-304-3934

info@albertatarpsystems.com

www.albertatarpsystems.com

CONTENTS

10

LOCKNRELEASE®

Loaded with the best features of any Electric Roll Tarp system on the Market. Our ease of use, dependability and HD components make up the backbone of this premier system. Our patented systems are packed with features you're sure to love.

16

SMOOTHROLL XTREME®

The SMOOTHROLL XTREME® electric roll tarp system from Sioux City Tarp has been designed and built to survive the harsh hauling conditions of side dump applications! Our patented systems are packed with features and won't hurt your bottom line.

LOCK RELEASE



ON SITE INSTALLS

888.258.6939

When the need arises, Sioux City Tarp is only a phone call away. Whether it's installs or troubleshooting your electrical system, we are the go to company to keep your fleet performing.



12

REMOTE BOX SYSTEM

Whether your installing new or updating your current electric system Sioux City Tarp's Remote Box System is the perfect addition to your rig.





4-9 PARTS

Our extensive parts department can get you back on the road in no time.



19-21 SYSTEMS

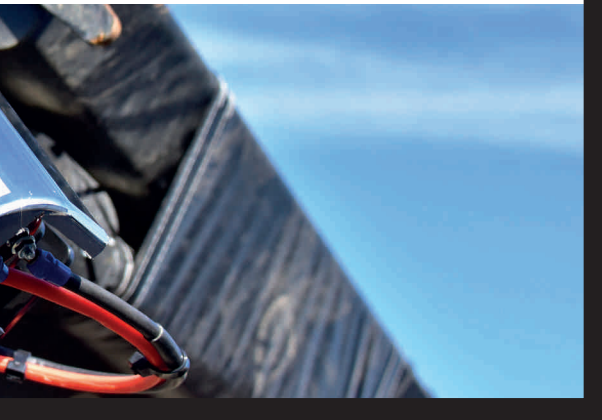
We got you covered, no matter what your need. From OTR to the field, we're your shop.



KITS FOR EVERY INDUSTRY

No matter what your need, we have the complete kits needed to cover your load.

LOCK DOWN



22-26 REPLACEMENT TARPS

Replacements tarps are the foundation of our business, after all it's how we got started. Always a fair price and quick turnaround, Sioux City Tarp is your one stop shop. Our 50 years of experience gives us the knowledge and our customers the confidence in our product.

WELCOME

Sioux City Tarp, Inc. of Sioux City, Iowa was founded in 1973 by Donald Bremer. Sioux City Tarp, Inc. provided the tri-state area with quality same day service for installing, repairing, and manufacturing tarps for a wide variety of trailer types. Donald started the business to supply truckers with replacement parts and tarps at a fair price.

In 1995, Bill Bremer, son of Donald Bremer became the CEO and today Sioux City Tarp, Inc. is one of the nation's largest manufacturers and wholesalers of complete roll-up tarp systems, replacement parts, and lumber tarps. Sioux City Tarp, Inc. has hundreds of dealers nationwide ranging from small companies to large trailer manufacturers.

ROLL TUBE DEFLECTORS

PARTS

Protect your investment with our roll tube deflectors. Keep the sides of your cart looking new. New stronger design prevents dings, dents and scratches even better.

1100	Molded Roll Tube Deflector	
1102	Aluminum Sidemount Latch Plate - 8'	
1103	Aluminum Sidemount Latch Plate - 20'	



1100



1102/1103

REPLACEMENT PARTS

PARTS

1104	Nylon U Clamp	
1106	Spline Weldment 2' Includes part 1107	
1107	Spline Shaft Replacement	
1108	Self Drilling Screw 1/4" X 3/4"	



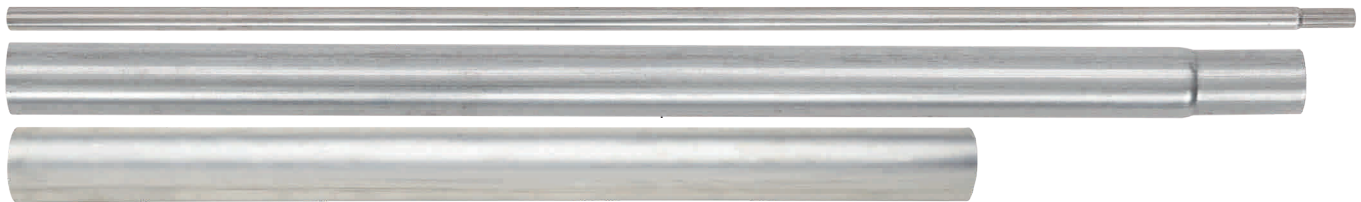
1104/1108



1107

ROLL TUBES

PARTS



1109	Fixed Tube 1-1/8" X 20'	
1110	Fixed Tube 1-1/8" X 24'	
1182	Black Plug For 1-1/8" Fixed Tube	
1296	Connector For 1-1/8" Fixed Tube	
1111	Roll Tube With Spline 2" X 20'	
1112	Roll Tube Without Spline 2" X 20'	
1113	Roll Tube With Spline 2" X 24'	
1114	Roll Tube Without Spline 2" X 24'	

1115	Ridge Pole Protector	
1117	Ridge Pole 20' 1-1/2" 14 gauge	
1118	Ridge Pole 24' 1-1/2" 14 gauge	
1119	Roll Tube Square Key Insert	
1280	Roll Tube 2" Connector	
2062	Roll Tube 3-1/2" x 20' with connector	
2063	Roll Tube 3-1/2" x 20' no connector	
2064	Roll Tube Splice for 3-1/2" Roll Tube	

TARP REPAIR KIT

PARTS

HH-66-03	Quart of Glue	
HH-66-04	Gallon of Glue	
7701	Tarp Repair Tape	
HH-66-QT	Repair Kit w/ Quart of Glue & 1' X 10' Piece of Vinyl and Thinner	
7702	Bow Reinforcement (Per Bow)	



REPAIR KIT

PARTS

TARP STOPS

Tarp Stops show exceptional resistance through a wide range of environmental conditions. These Tarp Stops are impact and abrasion resistant over a wide moisture and temperature range.



1120	Standard Bolt-On Old Style	
1121	Standard Quick Release Complete Assembly	
1122	Standard 6" Offset Quick Release Complete Assembly	
1123	Flexible Quick Release Complete Assembly	
1124	6" Offset Flexible Quick Release Complete Assembly	
1126	Standard Aluminum Upright Only	
1127	6" Offset Aluminum Upright Only	
1128	Flexible Upright Only	
1129	6" Offset Flexible Upright Only	

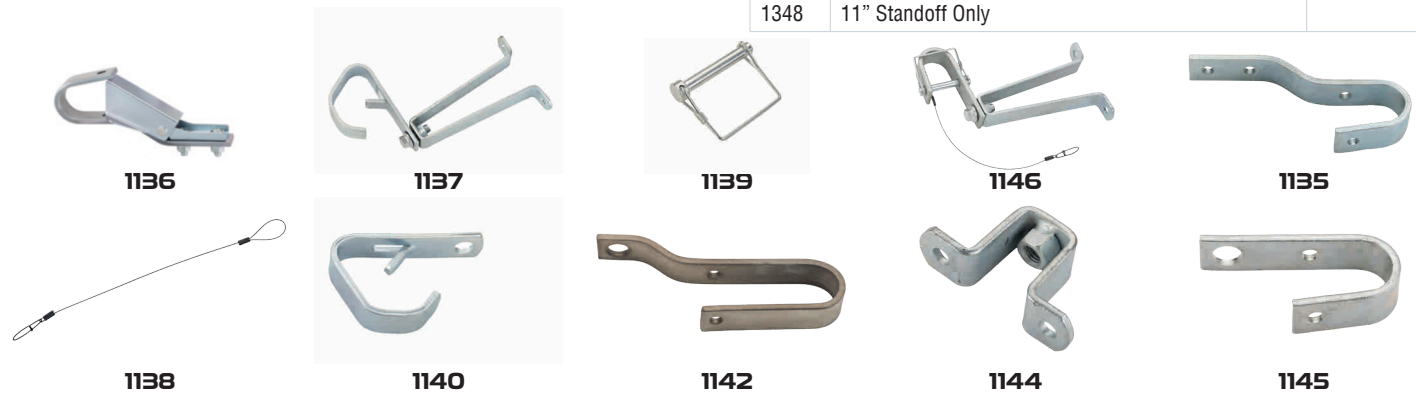
1130	Stop Body	
1131	Clevis Pin	
1132	Kickout Ring	
1133	Protective Cap For Old Style	
1228	Standard Offset Tarp Stop	
1172	Recessed Tarp Stop	
R0234	6" Belted Upright Only	
R0235	6" Offset Belt Style Tarp Stop Complete Assembly	
R0236	Standard Belted Upright Only	
R0237	Standard Belted Style Tarp Stop Complete Assembly	

PARTS

CRANK RETAINERS

1134	Pinless Crank Retainer Kit w/ 7" Standoff Assembly	
1135	Offset Crank Retainer	
1136	Offset Pinless Crank Retainer	
1137	Pinless Crank Retainer Kit w/ 11" Standoff Assembly	
1138	Cable w/ Snap	
1139	Wire Lock Pin 3/8" X 2-1/2"	
1140	Pinless Crank Retainer Only	

1141	Crank Retainer 7" Standoff Only	
1142	Super Crank Retainer Only	
1143	Super Crank Retainer Complete Assembly	
1144	2" Standoff	
1145	Standard Crank Retainer J Only	
1146	Standard Crank Retainer Complete Assembly	
1151	Retainer Bushing 11/16"	
1348	11" Standoff Only	



CRANKS: SPLINE SHAFT INCLUDED

PARTS

Sioux City Tarp's Cranks are made of only the highest quality materials to ensure longevity.

1147	Standard Crank Arm Kit w/ 80" extension
1148	Long Crank Arm Kit w/ 96" extension
1149	Short Crank Ann Kit w/ 54" extension
1150	Splined U Joint
1139	Wire Lock Pin 3/8" X 2-1/2"
1152	Spring Pin 3/8" X 2"
1153	Crank Extension - 80"
1154	Crank Extension - 54"
1155	Crank Extension - 96"
1156	Hex Head Cap Screw 3/8" X 1-3/4"
1157	Standard Crank Arm- 24"
1158	Long Crank Ann - 60"
1159	Center Lock Hex Nut - 3/8"
1160	Nylon Handle Grip Only
1116	6" Carriage Bolts



CRANKS: BELT & RATCHET ROLL TARPS

PARTS

1161	Standard Belt & Ratchet Crank Arm Kit w/ Econo U Joint
1162	Long Belt & Ratchet Crank Arm Kit w/ Econo U Joint
1283	Econo U Joint
1163	Spring Pin 1/4" X 1-1/2"
1164	Offset Crank Arm
1165	Square Key
1166	Spring Pin 1/4" X 1-3/16"



TARP KEEPER CORDS

PARTS

9100 B	Tarp Keeper Cord (Set of 3 Cords)
9100 S	Tarp Keeper Cord (1 Cord)
9100	Tarp Keeper Cord (Set of 2 Cords)
9100W	Tarp Keeper Cords - Extra Wide (Set of 2)
9100SW	Tarp Keeper Cords - Extra Wide (1 cord)



PBR STYLE TARPING HOLD DOWNS

PARTS

1167	Strap Hold-Down Kit - 9'	1171	Strap Assembly - 5'
1168	Strap Hold-Down Kit w/ hook - 5'	1108	Self Drilling Screw 1/4" X 3/4"
1169	Strap Hold-Down Kit w/ hook - 7'	1173	Ratchet 2"
1170	Strap Assembly- 9'	1174	Self Tapping Bolt 3/8" X 1"

PARTS

ALUMINUM & GALVANIZED END CAPS (FRONT & REAR)



WILSON

TIMPETE

GALVANIZED

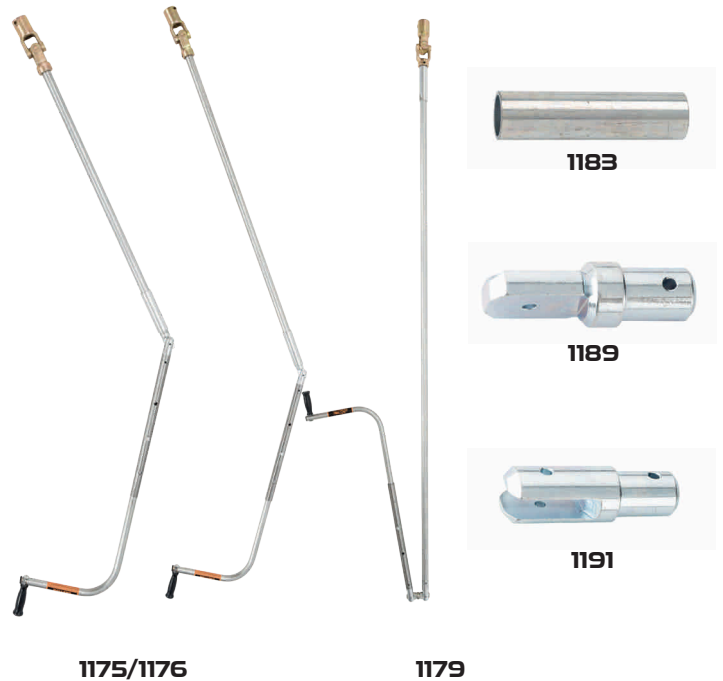
1318	Wilson Aluminum 96" Radius Front End Cap	
1311	Wilson Aluminum 96" Radius Rear End Cap	
1312	Wilson Aluminum 102" Radius Front End Cap	
1313	Wilson Aluminum 102" Radius Rear End Cap	
1314	Timpete Aluminum 96" Radius Front End Cap	
1315	Timpete Aluminum 96" Radius Rear End Cap	
1316	Timpete Aluminum 102" Radius Front End Cap	
1317	Timpete Aluminum 102" Radius Rear End Cap	
1319	Wilson Vent Cap	

1286	7' 6"	
1287	8'	
1288	8' 6"	
1289	9'	
1290	9' 6"	
1291	10'	
1292	10' 6"	
1293	11'	
1294	11' 6"	
1295	12'	

PARTS

FLEX CRANK HANDLES (ALL CRANK KITS INCLUDE SPLINE SHAFT)

1175	Flex Crank Kit - 40" Extension Assembly	
1176	Flex Crank Kit - 54" Extension Assembly	
1177	Double Flex Crank Kit - 54" Assembly	
1178	Flex Crank Kit - 80" Extension Assembly	
1179	Double Flex Crank Kit - 96" Assembly	
1180	Flex Crank Kit - 96" Extension Assembly	
1139	Wire Lock Pin 3/8" X 2-1/2"	
1183	Lock Tube - 5-1/2"	
1152	Spring Pin 3/8" X 2"	
1185	Upper Crank Extension - 40"	
1186	Upper Crank Extension - 54"	
1187	Upper Crank Extension - 96"	
1188	Crank Extension - 80"	
1189	Male Knuckle	
1190	Double Male Knuckle	
1191	Female Knuckle	
1192	Lower Extension - 20"	
1160	Nylon Handle Grip Only	



PARTS

REPLACEMENT ROLLUP PARTS

Includes: Aluminum End Caps and Two Ridge Strap Loops (welded on)

1207	Sq. Front - 96"	
1208	Sq. Front - 102"	
1209	Sq. Back - 96"	
1210	Sq. Back - 102"	
1211	Trim Seal - Per Foot	

1107490	Universal Front Cap - 96"	
1108453	Universal Front Cap - 102"	



FRONT ROLL RETURNS

PARTS

1195	Front Roll Return Kit	
1196	X-Wide Roll Return Kit	
1197	PVC Roll Tube Set	
1198	Roll Return Cord - 11.5'	
1199	Roll Return Cord - 16.5'	
1200	Roll Return Cord - Per Foot (300' minimum)	
1201	Nylon Roll Return End Plug	
1202	Flat Washer 3/8"	
1203	Eyebolt Assembly	
1204	Protective Stretch Cord Cover	
57118	Rear Bungee Assist w/ Collar	



1198



1201



1195

CABLE RETURNS

PARTS



1205	Front Return Kit	
------	------------------	--

1206	Rear Return Kit	
------	-----------------	--

RIDGE STRAPS

PARTS



1233



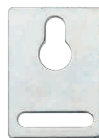
1235



1281/1282



1284



1285

1" Ridge Straps

1231	Ridge Strap Kit w/ Anchor - 25'	
1232	Ridge Strap Kit w/ Anchor - 39'	
1233	Ridge Strap Kit w/ Anchor - 46'	
1234	Ridge Strap Kit w/ Anchor - 56'	
1235	Ridge Strap Kit w/ Hook - 46'	
1236	Ratchet w/ Ridge Strap & Hook	
1237	Ratchet w/ Ridge Strap & Anchor	
1238	Ratchet for 1" Web	
1239	Ridge Strap w/ Hook - 46'	
1240	Ridge Strap w/ Anchor - 25'	
1241	Ridge Strap w/ Anchor - 39'	
1242	Ridge Strap w/ Anchor - 46'	
1243	Ridge Strap w/ Anchor - 56'	
1244	Self-Tapping Bolt - 3/8" X 1"	
1245	Anchor Bushing	
1246	Flat Washer - 3/8"	
1247	Center Lock Hex Nut - 3/8" "	
1281	Hook only - 1"	
1284	Anchor only - 1"	

2" Ridge Straps

1251	Ridge Strap Kit w/ Anchor - 25'	
1252	Ridge Strap Kit w/ Anchor - 39'	
1253	Ridge Strap Kit w/ Anchor - 46'	
1254	Ridge Strap Kit w/ Anchor - 56'	
1255	Ridge Strap Kit w/ Hook - 46'	
1256	Ratchet w/ Ridge Strap & Hook	
1257	Ratchet w/ Ridge Strap & Anchor	
1258	Ratchet for 2" Web	
1259	Ridge Strap w/ Hook - 46'	
1260	Ridge Strap w/ Anchor - 25'	
1261	Ridge Strap w/ Anchor - 39'	
1262	Ridge Strap w/ Anchor - 46'	
1263	Ridge Strap w/ Anchor - 56'	
1174	Self-Tapping Bolt - 3/8" X 1"	
1265	Flat Washer - 3/8"	
18625	Nut - 3/8"	
1267	Hex Head Cap Screw - 1/4" X 1"	
1268	Box Hook w/ holes - 5/16"	
1269	Lock Washer - 1/4"	
1270	Nut-1/4"	
1282	Hook only - 2"	
1266	Anchor only - 2"	

PARTS

STANDARD STEEL BOWS



STANDARD STEEL BOW



STANDARD SHANK

1212	Standard Flat Bow Kit	
1213	Standard Low Rise Bow Kit - 8" Rise	
1214	Standard High Rise Bow Kit - 10" Rise	
1215	Standard Low Rise Bow - 8" Rise	
1216	Standard High Rise Bow - 10" Rise	
1322	Extra Wide Bow Kit - 12' Wide Bow	

1217	Standard Low Rise Shank	
1218	Standard Flat Bow Shank	
1219	Standard High Rise Shank	
1220	Single Bow Bracket	
1221	Standard Flat Bow	
1323	Extra Wide Bow 12' Bow Only	

PARTS

HEAVY DUTY BOWS



HEAVY DUTY BOW



HEAVY DUTY BOW SHANK



HEAVY DUTY BOW BRACKET



LYNCH PIN



HD BOW PIN

1222	Heavy Duty Low Rise Bow Kit	
1223	Heavy Duty Bow Shank	
1224	Heavy Duty Low Rise Bow	
1225	Heavy Duty Bow Bracket	
1226	Lynch Pin 5/16" X 1-3/4"	

1227	Heavy Duty Bow Pin	
1300	Heavy Duty Flat Bow Kit	
1301	Heavy Duty High Rise Bow Kit	
1302	Heavy Duty Flat Bow	
1303	Heavy Duty High Rise Bow	

PARTS

FLEXBOWS®

1274	Flexbow® Bow Kit - Aluminum Bracket	
1275	Flexbow® Bow Sock	
1277	Flexbow®	
1279	Aluminum Flexbow® Bracket	



PARTS

WILSON & TIMPTE BOWS



WILSON BOW 10" RISE



TIMPTE BOW WITHOUT STRUT



TIMPTE BOW WITH STRUT

1305	96" Wilson Bow with 10" Rise	
1306	102" Wilson Bow with 10" Rise	
1307	96" Timppte Bow With Out Strut	
1308	96" Timppte Bow With Strut	

1309	102" Timppte Bow With Out Strut	
1310	102" Timppte Bow With Strut	
TBA1	96" Cornhusker Bow	
TBA2	102" Cornhusker Bow	
41361	Trinity Tarp Bow Only	

SIoux CITY TARPS

LOCKNRELEASE



INTRODUCING:

Lock-N-Release, the latest innovation from Sioux City Tarp, the leading developer of motorized tarp covering systems. Traditionally, grain hopper trailers have to be unloaded using a manual crank system. This difficult task is time consuming and can even be dangerous, but no more! The Lock-N-Release hopper door control system alleviates the hassle of opening and closing hopper doors

With a powerful motor, now hopper doors quickly open and close with just a push of a button. Each hopper door can be moved in small increments to completely control grain release. Our system works with both rack & pinion as well as strap trap doors, and the straps don't have to be removed when the Lock-N-Release is installed.



FEATURES:

- :: Alleviates The Hassle Of Opening And Closing Hopper Doors.
- :: Door Can Be Moved In Small Increments To Completely Control Grain Release.
- :: Works With Both Rack & Pinion As Well As Strap Trap Doors.
- :: Easy Installation - Integrates Into Existing Set-Ups... No Matter The Manufacturer.
- :: Easy & Rapid Operation. Economical Pricing.
- :: Electronic Control Direct From The Cab Or Remote.
- :: Motor Comes With A Full Three-Year Warranty.
- :: Designed To Work In The Toughest Of Conditions.
- :: Mounts Higher On The Trailer To Avoid Damage.

PART LIST

LOCKNRELEASE

SCT-LNR-001	The hopper drive unit with 12-volt power	
SCT-LNR-002	The mounting motor cover	
SCT-LNR-003	The hinge bracket attached to the motor	
SCT-LNR-004	The mounting motor bracket	
SCT-LNR-005	The direct replacement bracket	
SCT-LNR-006	The bearings that mount to the replacement bracket	
SCT-LNR-007	The control box and inside it is the wireless remote control	
SCT-LNR-008	Control box wireless remote control	
SCT-LNR-009	The hard wire manual switch w self-tapping screws	
SCT-LNR-010	Wire extensions connectors for your quick connects	
SCT-LNR-011	3/4" shrink wrap kits	
SCT-LNR-012	A package of wire clamps and screws	
SCT-LNR-013	A tractor wiring kit including a 50-amp breaker, eyelets both 3/8 and 1/4, 25' wire	
SCT-LNR-014	Eyelets for the motor	
SCT-LNR-015	A package of 2 1/4 inch grade 8 mounting bolts with lock nuts and washers	
SCT-LNR-016	Male and female plugs	
SCT-LNR-017	U-joints	
SCT-LNR-018	Two-hole straps	
SCT-LNR-019	A manual crank adapter	
SCT-LNR-020	A package of rubber grommets	
SCT-LNR-021	6 pieces of 5' long PVC conduits including 90s and couplers	
SCT-LNR-022	1/4" bolts, washers and lock nuts	
SCT-LNR-023	Drive couplers	
SCT-LNR-024	New axles if replacement is needed	
SCT-LNR-025	Hex weldments	
SCT-LNR-026	Universal Manual Switch Mounting Bracket	
SCT-LNR-027	Universal Manual Switch Mounting Bracket Bolts, nuts and washers	
SCT-LNR-1000	LockNRelease Kit	

SIoux CITY TARPS LOCKDOWN ELECTRIC®

Product covered by Patent numbers 8931823 and 8918996 and other Pending Patents.



FEATURES:

- :: Hd Motors
- :: Dual Arm System
- :: Single Touch Remote System
- :: Tractor Wiring Kit
- :: Lifetime Warranty On Arms
- :: 3-Year Warranty On Motor
- :: 1-Year Warranty On Electric Components
- :: Waterproof Remote Box
- :: Backed By Strong Company That Has Been In Business For 50 Years
- :: Friendly Customer Service Staff Always Ready To Help



**SINGLE TOUCH
REMOTE KIT**

If you have an electric tarp system, you need to add this feature! Increase operator efficiency and safety with this easy to operate and install feature.



ACESSORIES

Molded Roll Tube Deflectors are designed to help protect your investment. This easy add-on is not only practical but is a cinch to install.



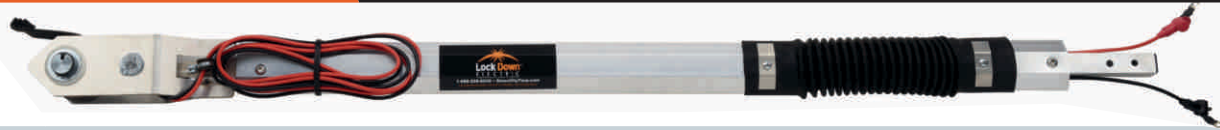
ACESSORIES

From wiring accessories to Lockdowns. We have the equipment that will help protect or improve the life of your system.

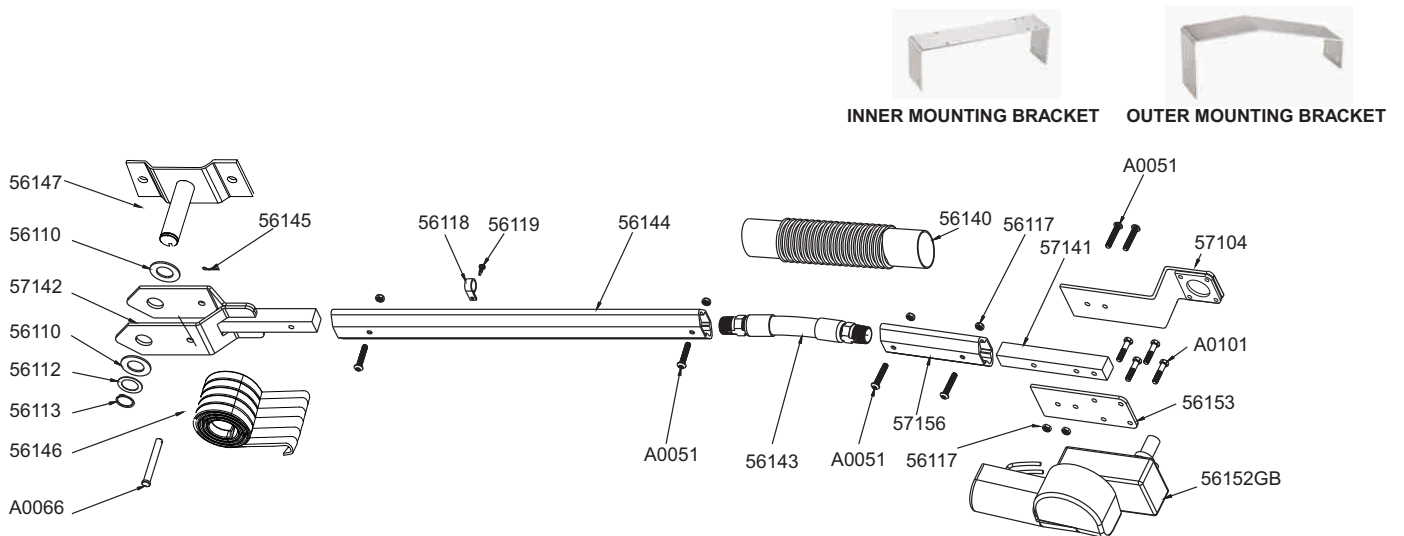


TARPS

Always a fair price and quick turnaround, Sioux City Tarp is your one stop shop for a durable tarp. We have all the traps to fit any electric tarp system.

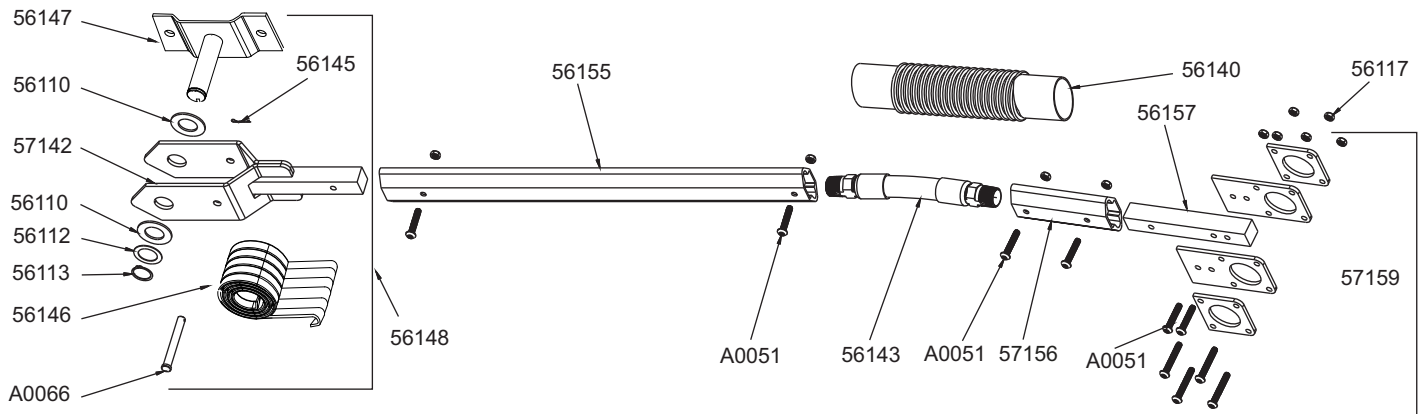


56149	Complete Front Arm without Mounting Bracket and Motor
56150	Complete Front Arm with Mounting Hardware (without Motor)
56151	Complete Front Arm with Mounting Hardware and Motor
56154	Wiring for Front Arm
A0101	3/8" Hex Cap Screw
56119	Screw - Self Drilling Pan Head
56118	Cushioned Loop Clamp
5700-M	MotorWith Gearbox Assembly
5700	Lockdown Electric Grain Trailer Conversion Kit
5700-Dflex	Lockdown Electric /End Dump/Belt Trailer Conversion Kit
5700-RBRA	Lockdown Electric /End Dump/Belt Trailer Conversion Kit Bunji Assist
5700-LDKF	Key Fob
57152	Inner Mounting Bracket Lockdown Electric
57153	Outer Mounting Bracket Lockdown Electric
5797	Quick Connect Control Box For Lockdown Electric With Key Fob
57-TRWK	Tractor Wiring Kit Lockdown Electric
57102	Aluminum Motor Insert
57104	Safety Plate
1285	36" Swagged Roll Tube Extension
1417	12V Motor Only
1434	Chrome Motor Cover
57103	1-1/8" Locking Collar
1455V	Dual Pole Socket Vertical
1456V	Dual Pole Plug Vertical
5794	Female Vertical Plug w/ Lead Wires
56152GB	Gear Box Assembly - Lockdown
5793	Toggle Switch for Control Box
5797-3	Three Function Control Box w/ Three Function Remote
57141	Short Arm Bar, Front Arm
5700 - 3LDKF	Three Function Remote





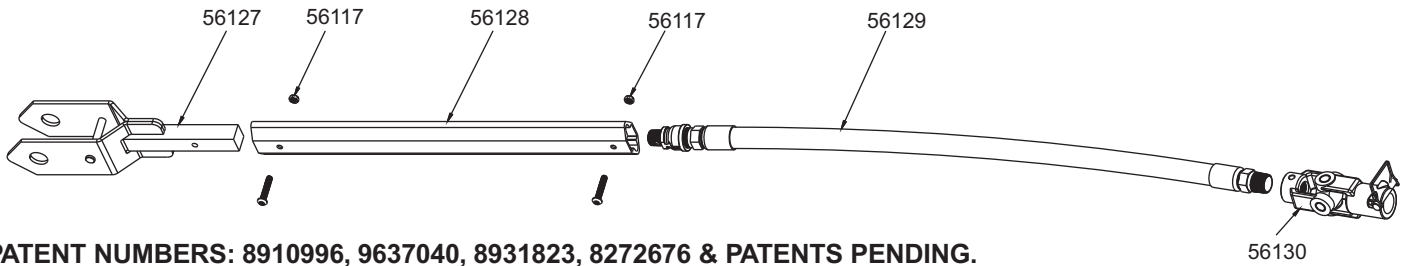
57120	Complete Rear Arm Assembly With Mounting Brackets
56140	Flex Cover
56117	Hex Nut 3/8"
A0051	BTN SKT CAP Screw 3/8" - 16X2"
57159	Rear Arm Roll Tube Bracket Kit
56157	Short Arm Bar
57156	Short Rear Arm Extrusion
56143	Short Flex Arm
56155	Arm Extrusion
56145	Cotter Pin 1/8" Dia.
A0066	Clevis Pin 1/2" Dia. X 4"
56113	External Ring Steel 1-1/4"
56112	Machinery Bushing
56146	Torsion Spring
56147	Pivot Pin Bracket Weld
56110	Nylon Flat Washer
56148	Complete Pivot Pin Assembly
57142	Arm Fork Only
5799	2" Locking Collar
5790	D Flex 90 degree Aluminum Drive Elbow
57140	White Bushing for Rear Arm & Safety Bracket



LOCK DOWN
ELECTRIC



56131	Complete Rear Flex Arm Assembly With Mounting Brackets
56130	U Joint for Flex Arm with Pin
56129	Flex Arm with Adapter
56117	Hex Nut
56128	Flex Arm Extrusion
56127	Flex Arm Fork
57127	Inner Mounting Bracket For Flex Arm Bracket
57128	Outer Mounting Bracket For Flex Arm Bracket
57118	Rear Bunj Assit With Collar
57154	3-Piece Front Mounting Brackets for End Dump



PATENT NUMBERS: 8910996, 9637040, 8931823, 8272676 & PATENTS PENDING.



LOCK DOWN ELECTRIC

SIoux CITY TARPS SMOOTH ROLL XTREME®

Product covered by Patent numbers 8910996, 9637040, 8931823, 8272676 and other Pending Patents.



- :: Lightweight Strong Aluminum Arms.
- :: Pivots Made From Heavy Duty Steel For Strength.
- :: Roll Over Heaping Loads.
- :: Easy Installation - No Compression Spring To Adjust Or Replace.
- :: Easy & Rapid Operation. Economical Pricing.
- :: Electronic Control Direct From The Cab Or Remote.
- :: Choice Of Mesh Or Vinyl Tarp.
- :: Designed To Work In The Toughest Of Conditions.
- :: 3 1/2" OD Extruded Aluminum Roll Tube Thicker And Stronger Than Competitors.
- :: Heavy Duty Spring Assist (8.5 Coils Made With 5160H Material) And Quiet Operations.



SINGLE TOUCH REMOTE KIT

If you have an electric tarp system, you need to add this feature! Increase operator efficiency and safety with this easy to operate and install feature.



SPRING SIZE

Sioux City Tarp's heavy-duty rear and front arm springs are product tested tough. Our springs are second to none! Built to endure the rigors associated with everyday side dump use.



HEAVY DUTY ARM

Sioux City Tarps heavy duty arms have been designed to take bumps and grinds associated with the constant abuse of side dump trailers. Our products are built to last.



TARPS

From solid vinyl to mesh tarps, Sioux City Tarp is your one stop shop for a durable tarp. We have all the tarps to fit any electric tarp system.

PRODUCTS

SMOOTH ROLL XTREME

1108	Self Drilling Screws 1/4" x 3/4"
1264	Aluminum Extrusion for Smooth Roll Extreme (Front & Rear)
1350 SRX	Complete Smooth Roll System with Tarp
2109	Complete Smooth Roll System without Tarp
2048	Complete Front Offset Arm Assembly
2049	Complete Rear Offset Arm Assembly
2050	Complete Front Straight Arm Assembly
2051	Complete Rear Straight Arm Assembly
2052	Front Spring
2053	Rear Spring
2054	Front Mounting Plate
2055	Rear Mounting Plate
2060	Fixed Tube 1-1/2" x 24' with connector
2061	Complete Rolltube
2062	Roll Tube 3-1/2" x 20' with connector
2063	Roll Tube 3-1/2" x 20' no connector
2064	Roll Tube Splice for 3-1/2" Roll Tube - 24"
2065	Switch Kit
2066	Straight Lower Arm Plate for Smooth Roll Xtreme (Front & Rear)
2067	Offset Lower Arm Plate for Smooth Roll Xtreme (Front & Rear)
2068	Tarp Cradle
2069	Front Pivot Plate
2070	Rear Pivot Plate
2072	Tarp Clatch (holds 1-1/8" tube)
2073	Traction Sleeve

2076	1" Lock Collar
2074	Rubber Wheel
2081	Arm Power Cord
2086	Rear Roll Tube Head Assembly for Smooth Roll Extreme
2087	Self Tapping Bolt 3/8" x 2"
2088	Hinge Weldment (on side of trailer)
2089	Front Motor Gear Box
2090	Rear Motor Gear Box
2093	Female Socket Mounting Bracket
2094	Tarp Mounting Bracket (Universal)
2095	Pigtail Vert./Hor. Electrical Cord
2096	Hockey Stick
2097	Hockey Stick Back Plate
2098	Hockey Stick Washer
2099	Female Socket Boot Cover
2100	Rocker Switch with Mounting Bracket
2101	Solenoid for Switch
2102	50 amp. Breaker
2103	Power Cord for Switch Kit - 6 Gauge
2104	Roller Chain
2107	Smooth Roll Xtreme Tarp Motor Assembly
2110	Pillow Block Bearing
1455V	Dual Pole Socket Vertical
1456V	Dual Pole Plug Vertical
13502	Rear Roll Tube Adaptor for Smooth Roll Extreme
13501	Front Roll Tube Adaptor for Smooth Roll Extreme



2052



2104



2107



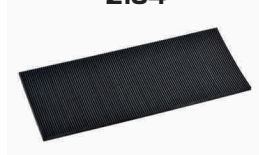
1455V



1456V



2068



2073



2074



2096



2101



2072



2088



13502



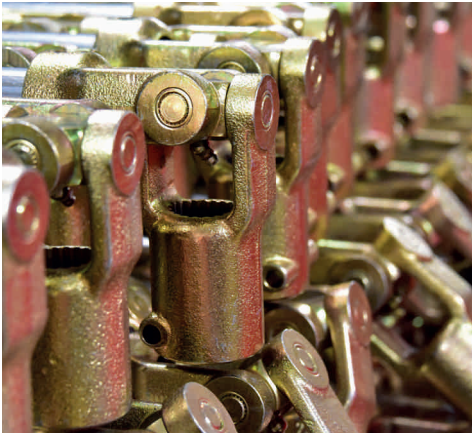
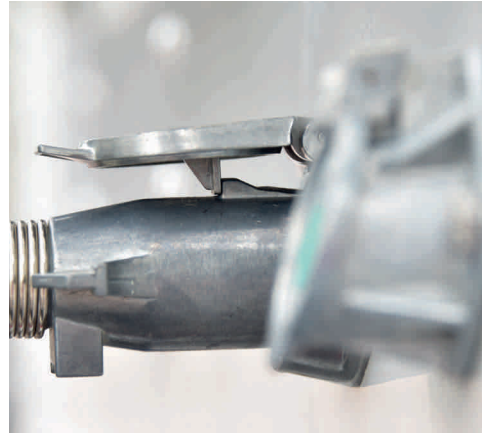
13501

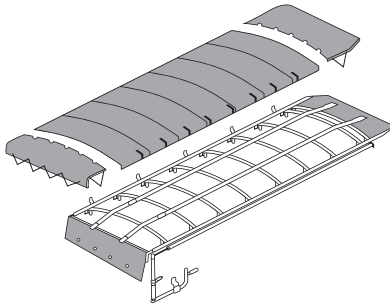
TARPS

MESH ROLL TARPS

2105	33' 11" x 12' Black Mesh Roll Tarp	530.01
------	------------------------------------	--------

2106	35' 11" x 12' Black Mesh Roll Tarp	564.52
------	------------------------------------	--------





End Dump Rollup System Kits Include:

- :: Aluminum Latch Plate
- :: Quick Release Tarp Stops
- :: Front Fabric Cap
- :: Rear Fabric Cap
- :: 4 Offset Crank Retainers
- :: Flex Crank Arm
- :: 22 oz. Vinyl Coated Tarp

Standard Kit Includes:

- :: Standard Bows
- :: Stretch Return
- :: Ridge Straps (Set of 2}

Heavy Duty Kit Includes

- :: Heavy Duty Bows
- :: Rolling Ridge Pole
- :: Stretch Return

Hardware Quantity. for Super Duty End Dumps

Size	STD Bows	HD bows	Tarp Stops	U Clamps
22'-26'	5	2	4	10
27"-30"	6	2	5	12
31'-34'	7	2	5	12
35'-38'	8	3	6	16
39'-43'	9	3	6	16

End Dump Kits		
	Standard Kit	Heavy Duty Kit
24'		
25'		
26'		
27'		
28'		
29'		
30'		
31'		
32'		
33'		

End Dump Kits		
	Standard Kit	Heavy Duty Kit
34'		
35'		
36'		
37'		
38'		
39'		
40'		
41'		
42'		
43'		

Hardware Only		
	Standard	Heavy Duty
24'		
26'		
28'		
30'		
32'		
34'		
36'		
38'		
40'		
42'		

FARM TRUCK ROLL UP SYSTEM

ROLLUP SYSTEMS

Standard Kit	
10'	
11'	
12'	
13'	
14'	
15'	
16'	
17'	
18'	
19'	
20'	
21'	
22'	
23'	
24'	

- :: Aluminum Latch Plate
- :: Standard Tarp Stops
- :: Standard Steel Bows
- :: Aluminum End Caps
- :: Pinless Crank Retainer w/ 7" Standoff
- :: 1" Ridge Straps (Set of 2)
- :: Stretch Cord Return
- :: Standard Crank Arm
- :: 18 oz. Vinyl Coated Tarp

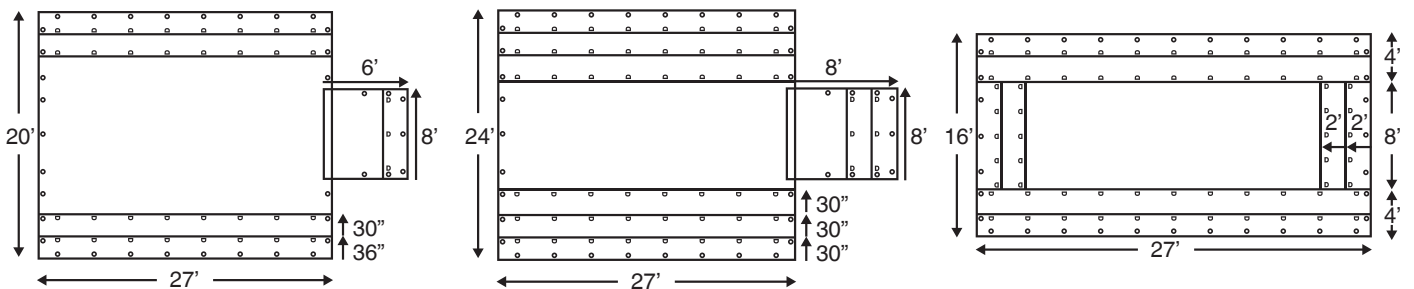
Hardware Only	
10'	
12'	
14'	
16'	
18'	
20'	
22'	
24'	



FARM TRUCK ROLL UP SYSTEM KITS INCLUDE

FLATBED TARPS

TARPS



20' X 27' - 6' Drop Lumber Tarp (18oz. Vinyl, 3 rows of D-Rings, 1 row Grommets on Hem)	
20' X 27' - 6' Drop Lumber Tarp (18oz. Vinyl, 3 rows of D-Rings, 1 row Grommets on Hefil)-SET OF 2	
24' X 27' - 8' Drop Lumber Tarp (18oz. Vinyl, 3 rows of D-Rings, 1 row Grommets on Hem)	
24' X 27' - 8' Drop Lumber Tarp (18oz. Vinyl, 3 rows of D-Rings, 1 row Grommets on Hem) -SET OF 2	
16' X 27' - Steep Tarp (18oz. Vinyl, 2 rows of D-Rings, 1 row Grommets)	
16' X 27' - Steep Tarp (18oz. Vinyl, 2 rows of D-Rings, 1 row Grommets) -SET OF 2	
SCT903 21" Rubber Bungee with S Hook	

Grain Cart & Wagon Rollup System Kits include:

- :: Aluminum Latch Plate
- :: Recessed Tarp Stops
- :: Standard Steel Bows w/ Brackets
- :: 18 oz. Vinyl Coated Tarp
- :: Galvanized Steel End Caps
- :: Pinless Crank Retainer w/ 7” Standoff
- :: Ridge Strap
- :: Stretch Cord Return
- :: Long Straight Crank Arm
- :: 22 oz. Vinyl Coated Tarp

	Super Duty		Heavy Duty (With RP Pocket)							
	8'	9'	10'	11'	12'	13'	14'	15'	16'	
10'										
11'										
12'										
13'										
14'										
15'										
16'										
17'										
18'										
19'										
20'										
21'										
22'										
23'										
24'										
25'										
26'										
27'										
28'										
29'										
30'										
31'										
32'										
33'										
34'										
35'										

REPLACEMENT TARPS

TARPS

	18 oz.		22 oz.	
	96"	102"	96"	102"
25'				
26'				
27'				
28'				
29'				
30'				
31'				
32'				
33'				
34'				
35'				
36'				
37'				
38'				
39'				



REPLACEMENT TARPS

TARPS

	18 oz.		22 oz.	
	96"	102"	96"	102"
40'				
41'				
42'				
43'				
44'				
45'				
46'				
47'				
48'				
49'				
50'				
51'				
52'				
53'				
54'				



**LOCK DOWN
ELECTRIC**



ROLL UP SYSTEM

SEMI GRAIN TRAILERS ROLL UP SYSTEM

Standard Kit

25'	
26'	
27'	
28'	
29'	
30'	
31'	
32'	
33'	
34'	
35'	
36'	
37'	
38'	
39'	
40'	
41'	
42'	
43'	
44'	
45'	
46'	
47'	
48'	

Hardware Only

26'	
28'	
30'	
32'	
34'	
36'	
38'	
40'	
42'	
44'	
46'	
48'	

SEMI GRAIN TRAILER 5 STEM KITS INCLUDE:

- :: Aluminum Latch Plate
- :: Standard Tarp Stops
- :: Aluminum End Caps
- :: Pinless Crank Retainer w/ 7" Standoff
- :: Stretch Cord Return
- :: Standard Crank Arm
- :: 18 oz. Vinyl Coated Tarp
- :: 1" Ridge Straps (Set of 2)



MESH TARPS

TARPS

	DSS1A	DSS1A-X	DSS1B	DSS1B-X
	7'	7'	7' 6"	7' 6"
		Extra Web		Extra Web
10' - 16'				
17'				
18'				
19'				
20'				
21'				
22'				
23'				
24'				
25'				
26'				
27'				
28'				
29'				
30'				
31'				
32'				
33'				
34'				



VINYL TARPS

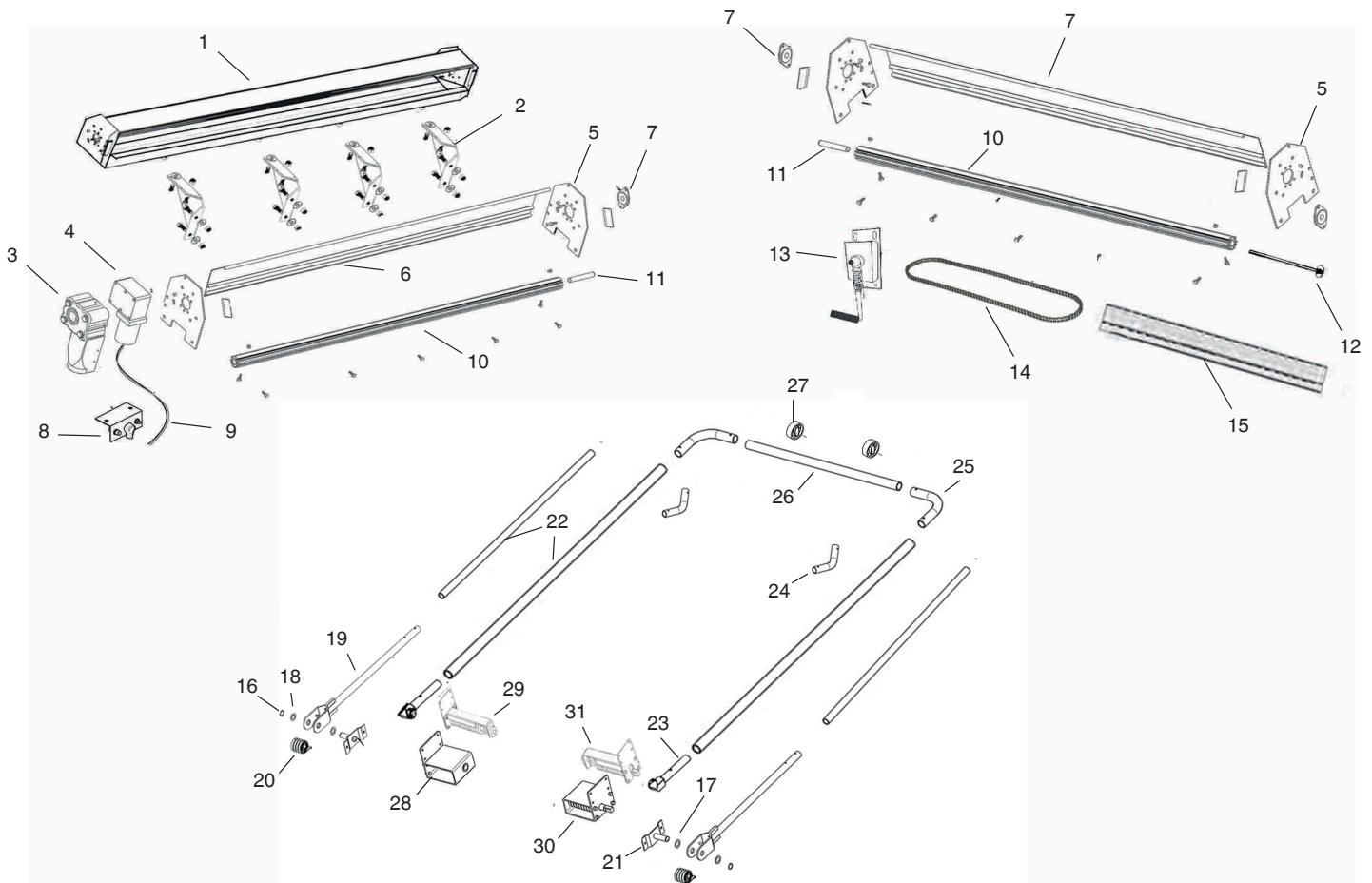
TARPS

	DSA1A	DSA1B
	7'	7' 6"
10'		
11'		
12'		
13'		
14'		
15'		
16'		
17'		

	DSA1A	DSA1B
	7'	7' 6"
18'		
19'		
20'		
21'		
22'		
23'		
24'		

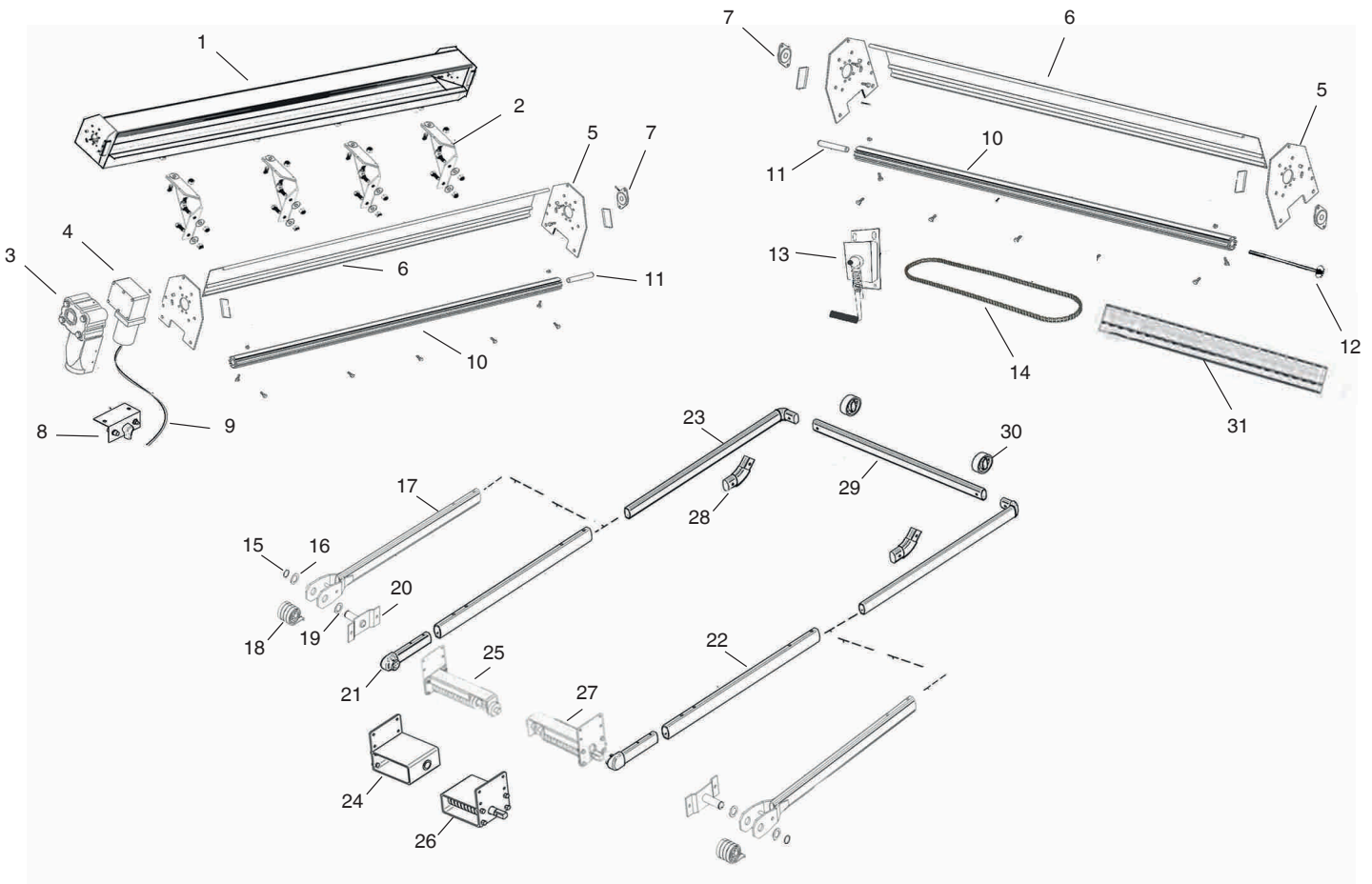
VINYL TARP COLOR SELECTION





T-98AH	98" Alminum Housing	
T-AHSB	Aluminum Housing Support Braces	
T-CMC	Chrome Motor Cover	
T-APACHE	Apache Slim Motor	
T-ATSMB	Aluminum Tarp Spool Mounting Bracket	
T-AWDK	Aluminum Wind Deflector	
T-ABWF	Axle Bearing With Flange	
T-RSK	Rotoary Switch Kit	
T-W6G	6 Or 8 Gauge Wire	
T-W8G		
T-ATA	Aluminum Tarp Axle	
T-SS	Stud Shaft	
T-SB14	Sprocket Bar 14"	
T-CBGL	Ground Level Crank Box	
T-C#40	Chain For Ground Level Crank	
T-CG	Chain Guard	
T-ERR	External Retaining Ring	

T-PFBC	Plastic Flange Bushing	
T-SSB	Stainless Steel Bushing	
T-SLA36	Stell Lower Arm 36" Or 60"	
T-SLA60		
T-STC	Spiral Torsion Springs	
T-PP4SP	4 Or 5 Spring Pivot Pin	
T-PP5SP		
T-SUA	Steel Upper Arm	
T-SUBPC	Steel Underbody Pivot Casting	
T-S30CA	Steel 30° Or 45° Corners	
T-S45CA		
T-S90CA	Steel 90° Corners	
T-SCT	Steel Cross Tube	
T-STCF	Steel Tarp Centering Flanges	
T-UBSD10	Underbody Driver Side 10 Spring	
T-UBSD58	Underbody Driver Side 5/8 Coil Spring	
T-UBSP10	Underbody Passenger 10 Spring	
T-UBSP58	Underbody Passenger 5/8 Coil Spring	

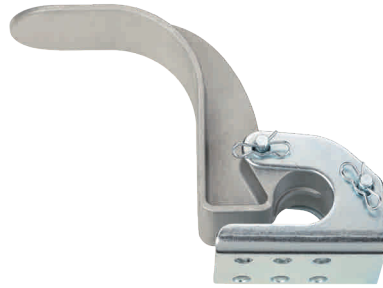


T-98AH	98" ALUMINUM HOUSING
T-AHSB	ALUMINUM HOUSING SUPPORT BRACES
T-CMC	CHROME MOTOR COVER
T-APACHE	APACHE SLIM MOTOR
T-ATSMB	ALUMINUM TARP SPOOL MOUNTING BRACKET
T-AWDK	ALUMINUM WIND DEFLECTOR
T-ABWF	1 or 2 AXLE BEARING WITH FLANGE
T-RSK	ROTOARY SWITCH KIT
T-W6GT-W8G	16 OR 8 GAUGE WIRE
T-ATA	ALUMINUM TARP AXLE
T-SS	STUD SHAFT
T-SB14	SPROCKET BAR 14"
T-CBGL	GROUND LEVEL CRANK BOX
T-C#40	CHAIN FOR GROUND LEVEL CRANK
T-ERR	EXTERNAL RETAINING RING
T-PFBC	PLASTIC FLANGE BUSHING
T-ALA60 T-ALA84	PATRIOT ALUMINUM LOWER ARM 60" OR 84"

T-STC	SPIRAL TORSION SPRING
T-SSB	STAINLESS STEEL BUSHING
T-PP4SP T-PP5SP	PATRIOT 4 OR 5 SPRING PIVOT PIN
T-AUBPC	ALUMINUM UNDERBODY PIVOT CASTING
T-AUBLA84 T-AUBLA144	ALUMINUM UNDERBODY LOWER ARM 84" OR 144"
T-ASAWC	ALUMINUM SIDE ARM WITH CASTING
T-UBSD10	DRIVER SIDE UNDERBODY 10 SPRING
T-UBSD58	DRIVER SIDE UNDERBODY 5/8 COIL SPRING
T-UBSP10	PASSENGER SIDE UNDERBODY 10 SPRING
T-UBSP58	PASSENGER SIDE UNDERBODY 5/8 COIL SPRING
T-A30CA T-A45CA	ALUMINUM 30° OR 45° CORNER
T-ACT	ALUMINUM CROSS TUBE
T-PTCF	PLASTIC TARP CENTERING FLANGE
T-CG	CHAIN GUARD



1121



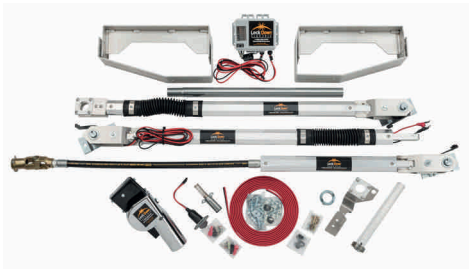
1122



1136



1150



9100



1821



1137

