

Prescient^x

AutoUV

Jan 29, 2020

24/7 Room Disinfection

Fully autonomous

Every exit

Every 4h

Mesh capable

Cloud option



The ASEPT.1X MAX AutoUV from Prescient^x takes surface disinfection and patient protection to the next level by automatically disinfecting bathrooms, equipment rooms, and utility rooms 5, 10, 20 times per day. Autonomously. For just pennies a day.

Magnetic door contacts and dual passive infrared occupancy sensors ensure safe operation.

Wireless programming and communication built-in.

Effective Against:

C diff

MRSA

VRE

Viruses

Molds

Yeasts

Spores

Protozoa



ASEPT.1X MAX

manufactured in Canada by **SANUVOX**

Prescient^x

AutoUV

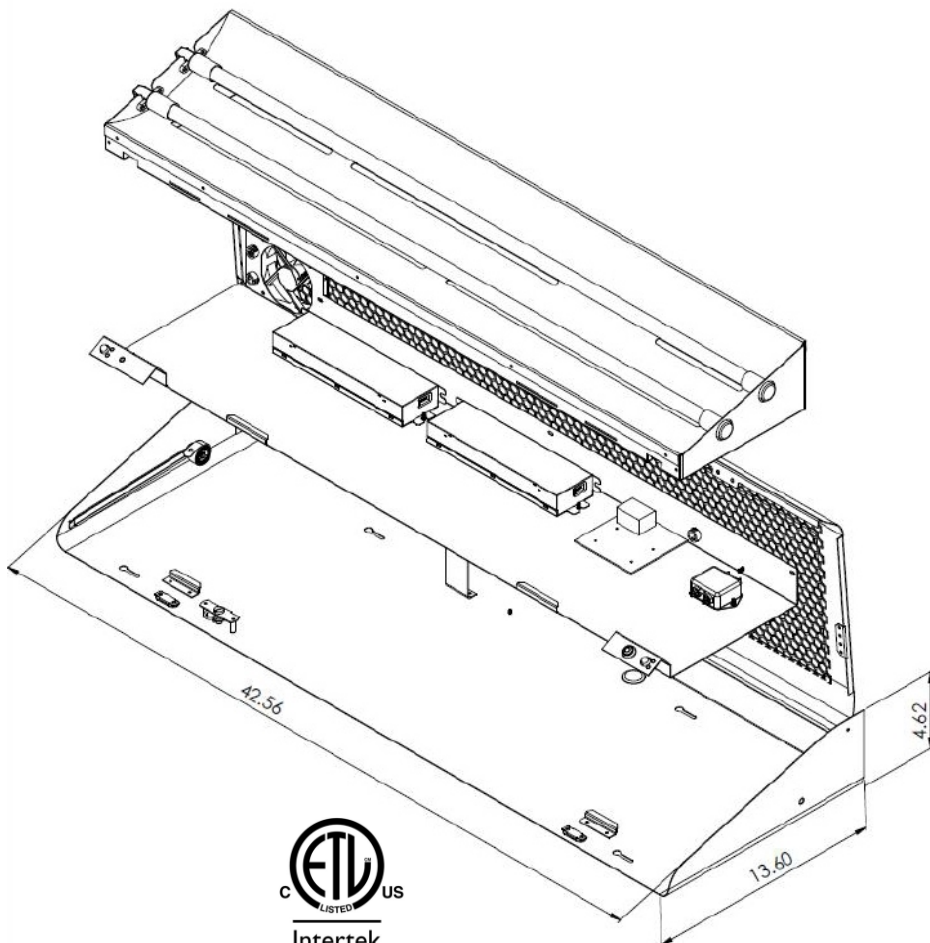
Jan 29, 2020

AutoUV rapid disinfectant to provide autonomous, unattended, UVC room disinfection after every room use and every four hours. Unit to include a surface-mount, magnetically latched, quick access housing suitable for ceiling or wall installation and horizontal or vertical operation. Housing to be designed to allow back-to-back and end-to-end installations. Lamp and control insert to be a single module, easily accessed for service and easily removable for replacement. Unit to be complete with magnetic door contact(s), dual passive infrared occupancy sensors, front mount on/off switch and LED use and fault indicator. Unit to be connected to Essential Power.

Disinfection time(s) shall be programmable with standard disinfection cycle set for 5 minutes. Disinfectant shall include Bluetooth 5.0, WiFi, and programming for communication with SmartEIP devices and integration with SmartEIP controllers. Date and time-stamped events shall be recorded and shall include: presence, door openings, cycle times, cycle interruptions, and faults.

Unit shall be commissioned on-site by the supplier. Commissioning shall include programming, dose testing, and verification report. Service training shall be provided by the supplier to hospital engineering and maintenance staff. Education training shall be provided by the supplier to clinical staff including nursing, infection prevention, patient safety and quality management.

Standard of acceptance: Prescient^x Model Asept.1X MAX, manufactured in Canada by Sanuvax.



1080mm W x 345mm D x 117mm H

H110V, 60 Hz, 1.6A

cETLus and CE certified