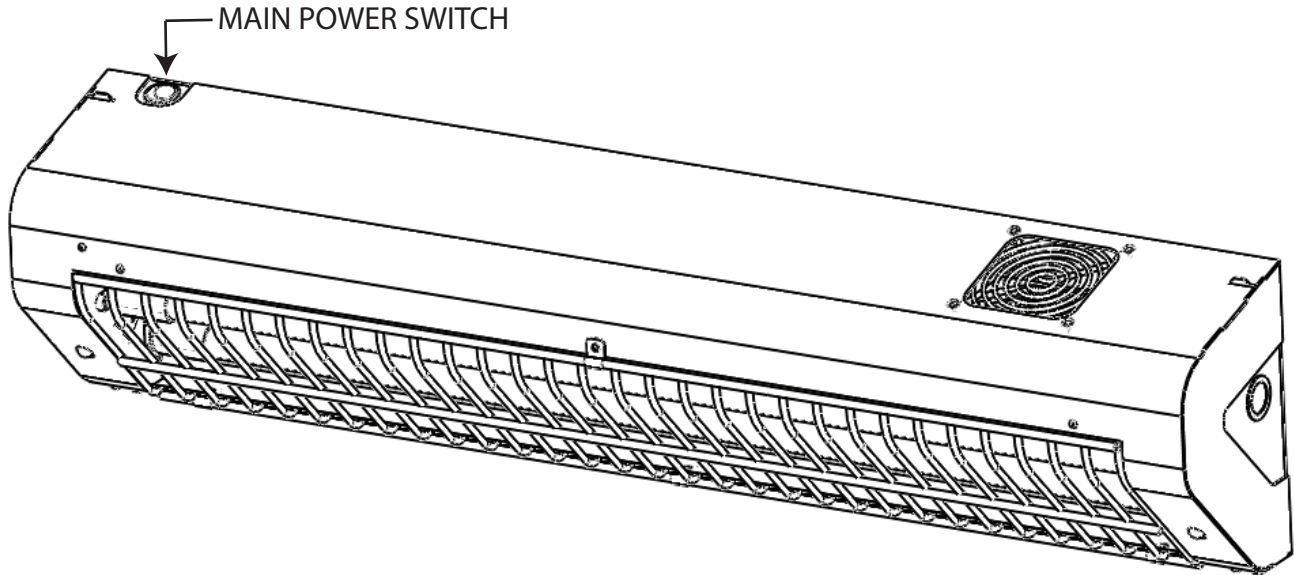


INSTALLATION INSTRUCTIONS FOR THE ASEPT.1X

www.prescientx.com
info@prescientx.com



WARNING

Before installing or performing maintenance or service on the purifier, turn off main power switch to unit. Electrical shock can cause injury or death. There may be more than one disconnect switch.

WARNING

Do not touch Lamp glass without gloves. Reduced performance of Lamp may result. Clean Lamp after handling.

WARNING

Never expose eyes or skin to ultraviolet light from any source. The Purifier **MUST** be **DISCONNECTED** from power source before performing maintenance or service. Personal injury may result.

WARNING

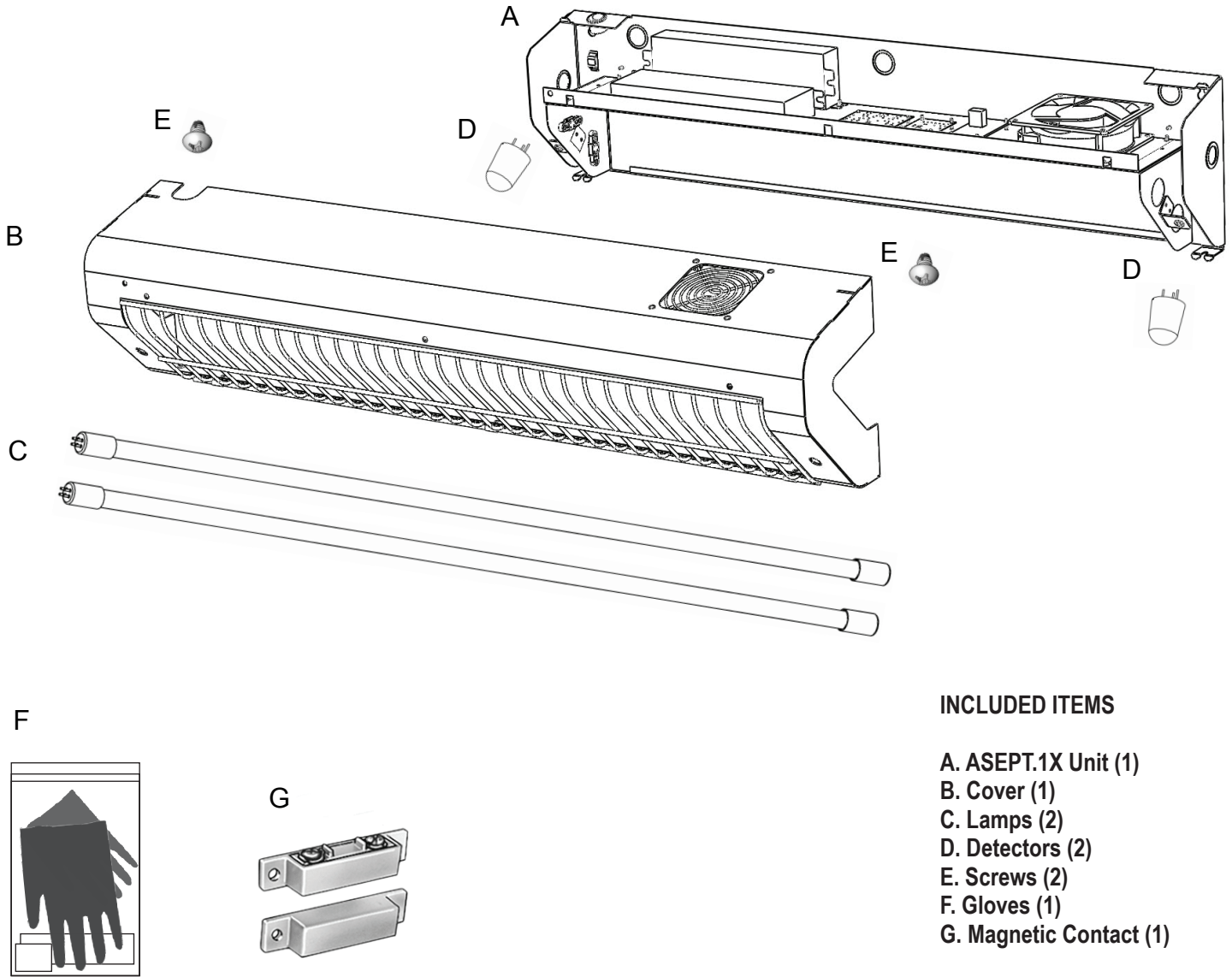
The UV Lamp contains a small quantity of mercury. If a Lamp breaks, clean and dispose of with care.

WARNING

Use only specified replacement Lamps with you Purifier. Use of an incorrect Lamp can result in damage to the Purifier and/or Lamp.

**INSTALLATION QUESTIONS?
CALL CLASS 1 INC 1-800-242-9723**

INCLUDED ITEMS



INCLUDED ITEMS

- A. ASEPT.1X Unit (1)
- B. Cover (1)
- C. Lamps (2)
- D. Detectors (2)
- E. Screws (2)
- F. Gloves (1)
- G. Magnetic Contact (1)

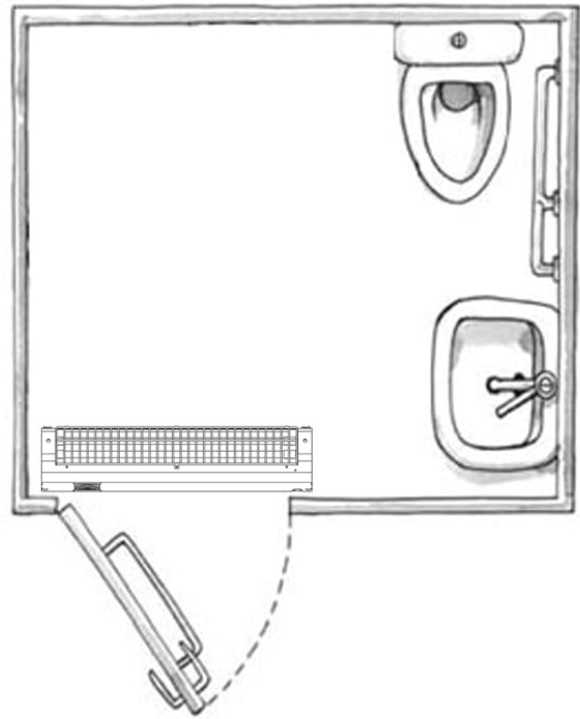
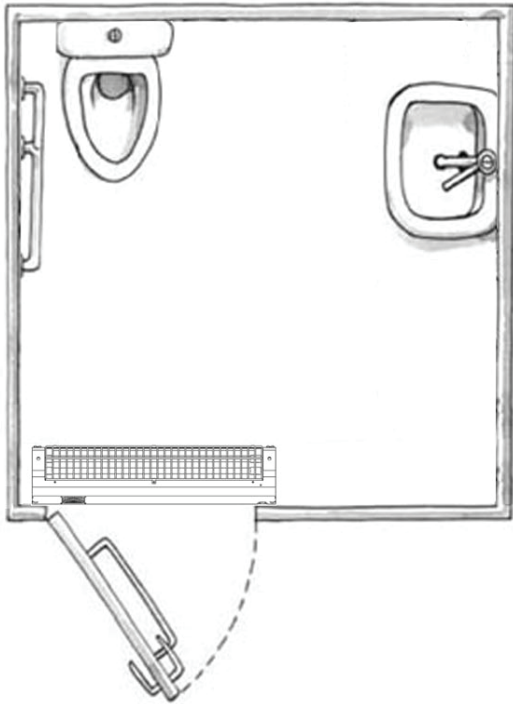
NOTES

CAUTION

Only certified electricians should be installing and maintaining this unit.

The lamp change can be performed by regular maintenance staff. All other operations must be performed by trained and certified electricians. Please read instructions, name plates carefully.

CHOOSE APPROPRIATE INSTALLATION LOCATION



INSTALLATION INSTRUCTIONS FOR THE ASEPT.1X

Electrical wiring connection

1. Choose which one of the 5 holes will be used where your electrical connection will be inserted in the unit knock-outs (3 in the back and 1 on each side) of the unit.
2. Open accordingly ($\frac{1}{2}$ or $\frac{3}{4}$ inch npt).

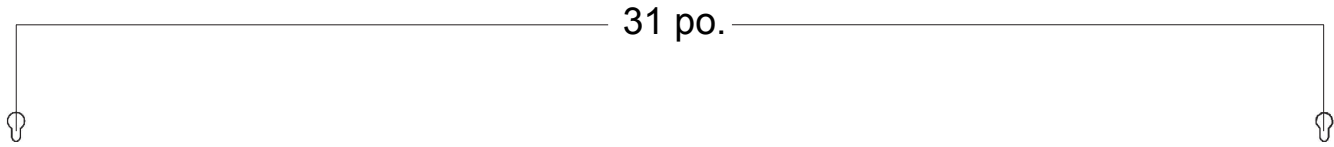
Unit mounting installation

1. Drill 2 holes 31 inches apart center to center at a minimal distance of 8" from the frame of the door.
 - For optimal performance the unit should be installed at a minimum of 84" from the floor.
2. Choose the appropriate (anchor) dowel according to the type of surface that the unit is mounted to (concrete or gyproc). Insert the screws and leave $\frac{3}{8}$ of an inch not tightened.
3. Remove the cover as indicated as per drawing. Figure A (lift upwards from bottom).
 - IMPORTANT Please note that once the cover installed and the motion detector in place, you will have to remove the cover another way. Not following this important notice will damage the motion detectors.
4. Insert the base of the unit on the screws previously mounted on the wall. Tighten the screws to make sure the unit is safely secured against the wall.
5. Install the door magnetic interrupter on the top of the door frame (same side as the door handle as close as possible to the door. (bottom of the frame).
 - Identical to an alarm system installation.
6. Install the door magnetic contact on the door itself right the door interrupter that was installed on the frame of the door.
 - a. Note that both pieces must be centered and aligned to one another.
 - b. The grey wire for the door interrupter is inside the base of the unit.
 - i. If the door interrupter is on the left hand side make sure to run the wire inside the unit all the way to the left side and pull it out between the aluminum module and the white base of the unit.
 - ii. If the door interrupter is on the right hand side make sure to run the wire inside the unit all the way to the right side and pull it out between the aluminum module and the white base of the unit.
7. Insert the motion detection sensor (2) at each end of the unit as shown in Figure B
 - Note that there are 3 male pins to each detector and 4 holes inside the female connector.
 - a. No male pins should be inserted in the hole that has a black spot on to the female receptacle.
8. Connect line black, neutral white and ground green to your electrical connection.
 - ONLY CERTIFIED ELECTRICIANS SHOULD BE INSTALLING THE UNIT.
9. Install the cover on the unit by inserting the bottom part of the cover and close the cover by pushing the top of the cover towards the wall. Figure C (make sure that the motion detectors are clear when you are closing the cover).
 - FAILURE TO INSERT THE COVER AS INDICATED WILL DAMAGE THE MOTION DETECTORS.
10. Install the lamps inside the unit.
 - a. Remove the screw on the top side that holds the front grill and lower the grill towards the bottom of the unit.
 - b. Please use the gloves supplied with the unit to manipulate the lamps in order not to leave any oil imprint on the surface of the glass.
 - i. Insert the end of the lamp that has the rubber over the ceramic en cap in the hole on the right side of the unit and slide towards the right.
 - ii. Bring the lamp back towards the left and insert the pins in the connector.
 1. Note that the pins do not form a square but a rectangular, which leaves only 2 possible ways of inserting the pins in the connectors.
 - c. Repeat above steps for the second lamp.
11. Close the grill and secure with the screw at the top of the cover.
12. Turn the unit switch ON by pressing the switch on the top left corner.

INSTALLATION

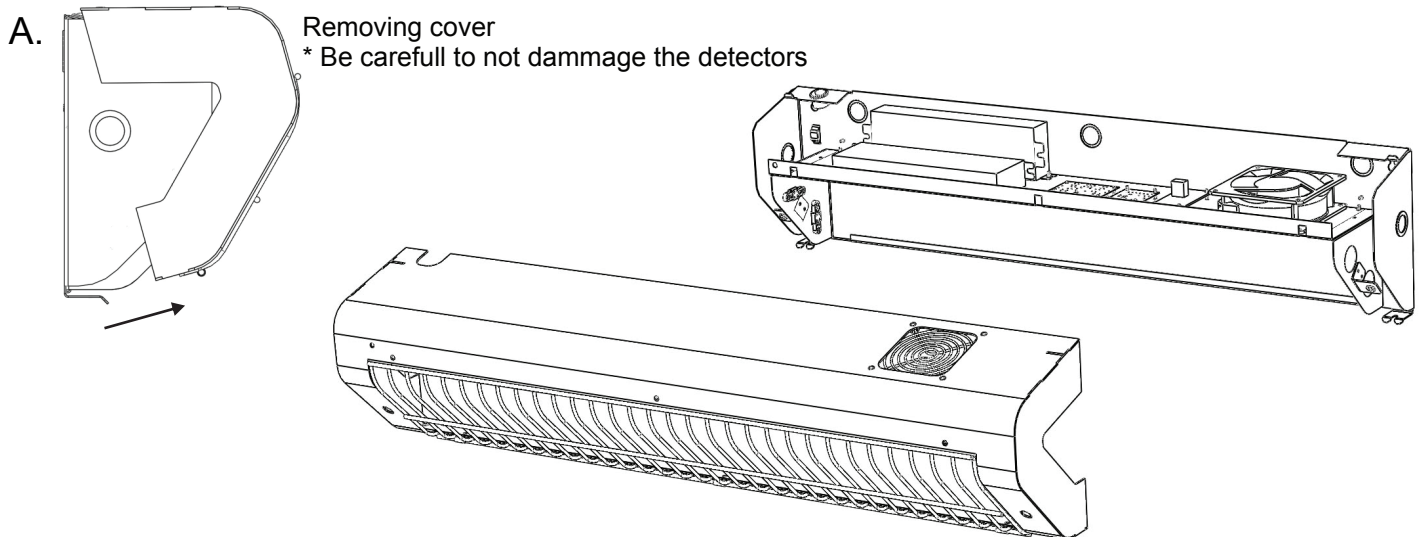
Unit mounting installation

1. Drill 2 holes 31 inches apart center to center at a minimal distance of 8" from the frame of the door.
- For optimal performance the unit should be installed at a minimum of 84" from the floor.



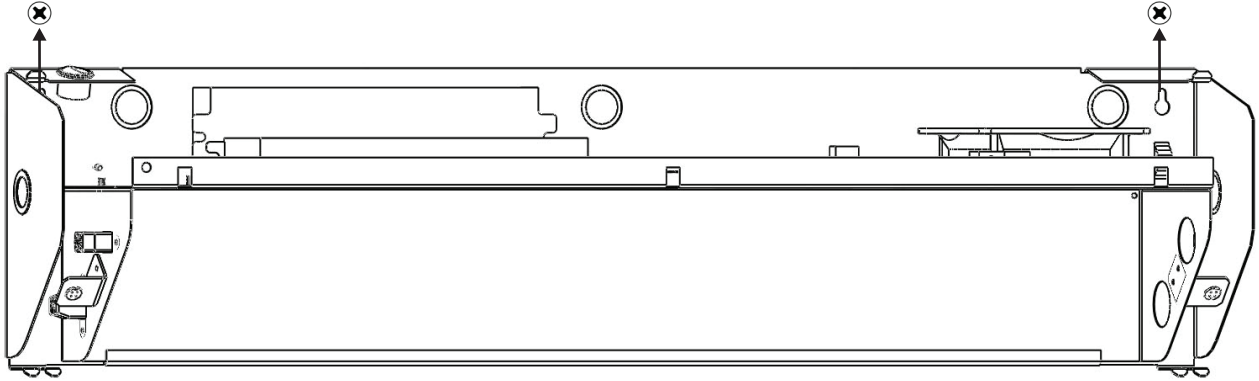
2. Choose the appropriate (anchor) dowel according to the type of surface that the unit is mounted to (concrete or gyproc). Insert the screws and leave 3/8 of an inch not tightened.

3. Remove the cover as indicated as per drawing. Figure A (lift upwards from bottom).
- IMPORTANT Please note that once the cover installed and the motion detector in place, you will have to remove the cover another way. Not following this important notice will damage the motion detectors.



INSTALLATION

4. Insert the base of the unit on the screws previously mounted on the wall. Tighten the screws to make sure the unit is safely secured against the wall.



5. Install the door magnetic interrupter on the top of the door frame (same side as the door handle as close as possible to the door. (bottom of the frame).
 - Identical to an alarm system installation.

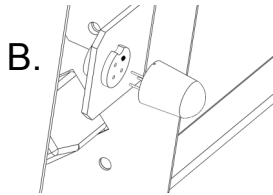
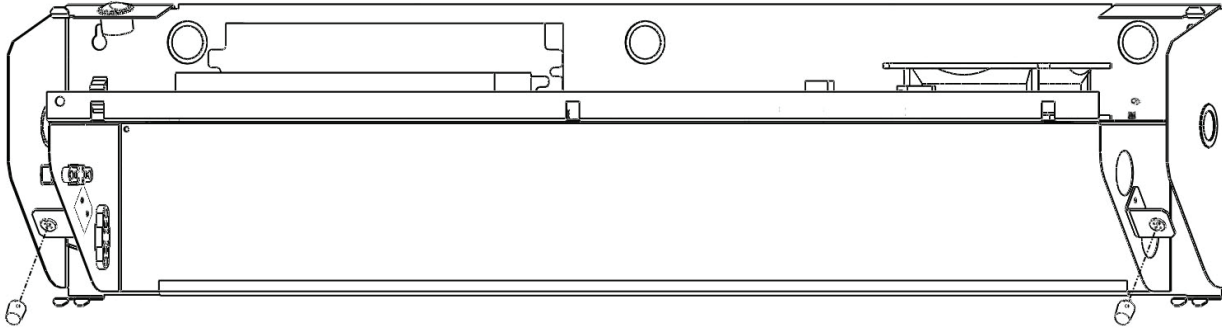
5.



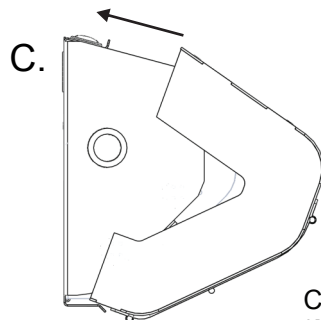
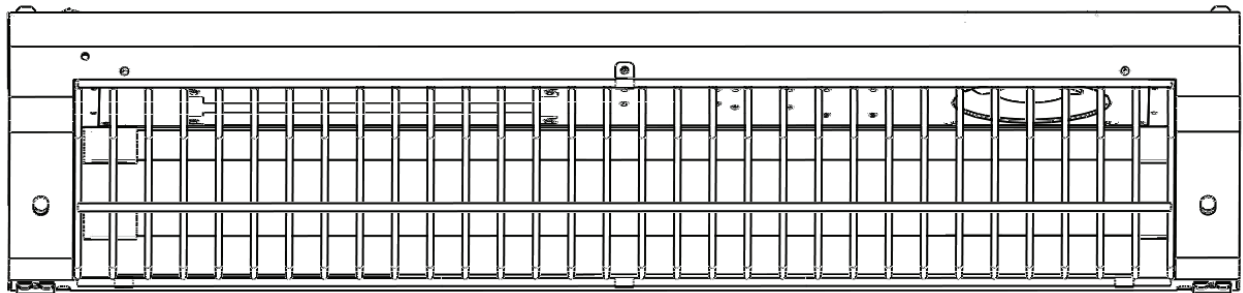
6. Install the door magnetic contact on the door itself right the door interrupter that was installed on the frame of the door.
 - a. Note that both pieces must be centered and aligned to one another.
 - b. The grey wire for the door interrupter is inside the base of the unit.
 - i. If the door interrupter is on the left hand side make sure to run the wire inside the unit all the way to the left side and pull it out between the aluminum module and the white base of the unit.
 - ii. If the door interrupter is on the right hand side make sure to run the wire inside the unit all the way to the right side and pull it out between the aluminum module and the white base of the unit.

INSTALLATION

7. Insert the motion detection sensor (2) at each end of the unit as shown in Figure B
 - Note that there are 3 male pins to each detector and 4 holes inside the female connector.
 - a. No male pins should be inserted in the hole that has a black spot on to the female receptacle.



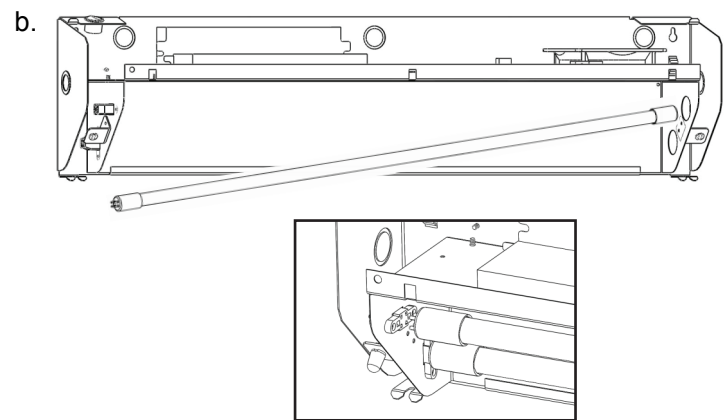
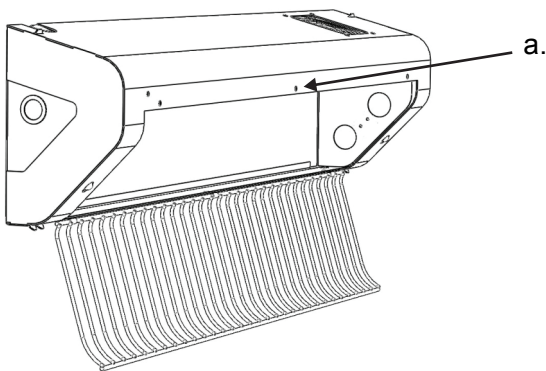
8. Connect line black, neutral white and ground green to your electrical connection.
 - ONLY CERTIFIED ELECTRICIANS SHOULD BE INSTALLING THE UNIT.
9. Install the cover on the unit by inserting the bottom part of the cover and close the cover by pushing the top of the cover towards the wall. Figure C (make sure that the motion detectors are clear when you are closing the cover).
 - FAILURE TO INSERT THE COVER AS INDICATED WILL DAMAGE THE MOTION DETECTORS.



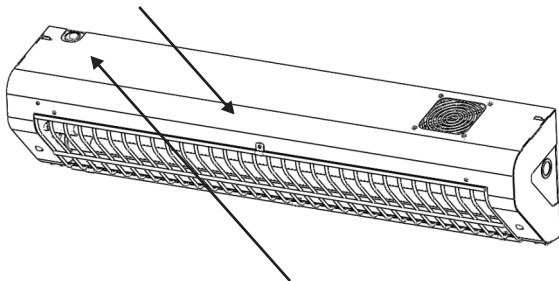
Cover installation
*Must be install from bottom to the top

INSTALLATION

10. Install the lamps inside the unit.
 - a. Remove the screw on the top side that holds the front grill and lower the grill towards the bottom of the unit.
 - b. Please use the gloves supplied with the unit to manipulate the lamps in order not to leave any oil imprint on the surface of the glass.
 - i. Insert the end of the lamp that has the rubber over the ceramic en cap in the hole on the right side of the unit and slide towards the right.
 - ii. Bring the lamp back towards the left and insert the pins in the connector.
 1. Note that the pins do not form a square but a rectangular, which leaves only 2 possible ways of inserting the pins in the connectors.
 - c. Repeat above steps for the second lamp.



11. Close the grill and secure with the screw at the top of the cover.



12. Turn the unit switch ON by pressing the switch on the top left corner.

Activating the unit

1. Enter the room - close the door while remaining inside the room.
 - a. Wait 15 seconds inside the room.
2. Open the door.
3. Exit from the room and close the door behind you.
4. Close the door and Wait 90 seconds after which you may enter the room again and you will notice a blue light (indicating that the unit was ON and automatically cut-off when you entered the room interrupting the disinfecting cycle).
5. Look inside to the blade of the fan still running, it should be turning.
 - a. Note that even if the fan has stopped because the cycle was interrupted, the blades should still turn for a few seconds after which they will stop completely.