



TWO-WING REVOLVING DOOR



Shangri-la Plaza Mall, Manila

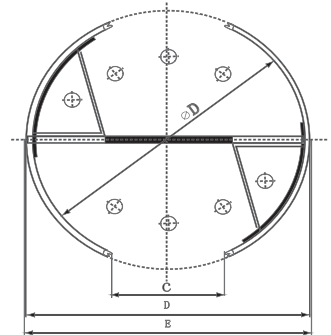
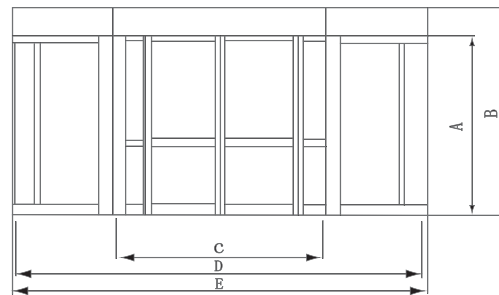
FUNCTION:

- Innovative design.
- Advanced PLC control system.
- German made motor gearbox.
- Optimum safety features.
- Door always close but always open. Prevents inside cold air from escaping outside and hot humid air, noise and dust from entering the edifice.

TECHNICAL DATA:

Power Supply : AC 220V±10%, 50 - 60 HZ
 Power Consumption : 200 - 600W, light 500W
 Activation Sensor : Infra-red & radar motion sensors

| ∅ | 3600 | 4200 | 4800 |
|---|-----------|------|------|
| A | 2200-2400 | | |
| B | 2500-2700 | | |
| C | 1670 | 1970 | 2270 |
| D | 3600 | 4200 | 4800 |
| E | 3770 | 4370 | 4970 |



PLACES OF APPLICATION:

For shopping malls, airport and seaport terminals, hospitals, school, office buildings etc..

MANUFACTURED EXCLUSIVELY FOR CARGEM MANAGEMENT CORPORATION AND CMC NIVRA Industries Corp.

HEAD OFFICE:

P & E Bldg. no. 12 United
 cor. 1st Sts., Bo. Kapitolyo
 Pasig City 1603
 Tel. : (+632) 631-9520
 (+632) 634-4746
 Fax : (+632) 631-9512

CEBU BRANCH OFFICE:

Unit 3 Salustina Bldg.
 M. L. Quezon Ave., Casuntingan
 Mandaue City, Cebu City 6014
 Tel. : (+032) 511-9774
 Fax : (+032) 236-9907

DAVAO BRANCH OFFICE:

Door 1, Usman Bldg.
 Diversion Road, Buhangin
 Davao City 8000, PH
 Tel. : (+082) 224-3426

ILOILO BRANCH:

Tydyco Commercial Complex
 Kahilwayan Ave.,
 Santa Barbara, Iloilo City
 5002 PH
 Tel. : (+032) 511-9774
 : (+63) 917-7103628

CAGAYAN DE ORO BRANCH:

Unit 10 Kauswagan Arcade
 Cagayan de Oro City 9000
 Tel. : (+632) 088-881-3947

Sales, Assembly, Installation, Commissioning, Maintenance and service after Sales
 Exclusively by CARGEM MANAGEMENT Corp.