

Combined Active Infrared and Microwave Door Sensors



OAM-DUAL series



Black

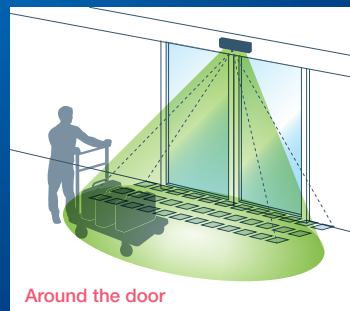
Silver



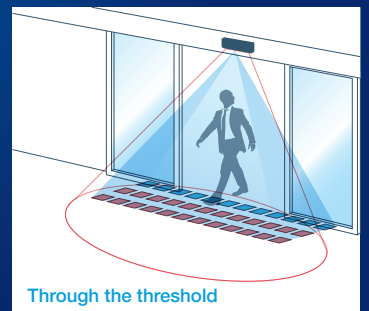
Hybrid Sensor

The OAM-DUAL series provide safety around the door and through the threshold at the same time.

The microwave detection area guarantees comfortable opening at all times.



Around the door

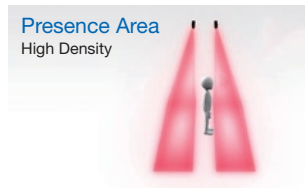
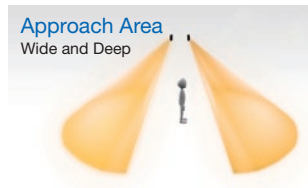


Through the threshold

BLUE ZONE Technology™

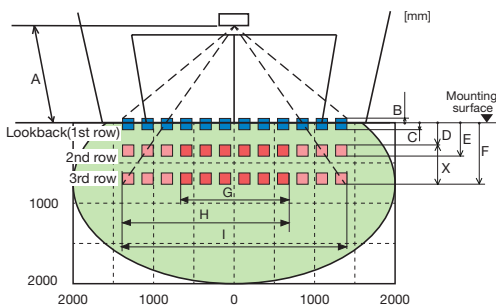


The "BLUE ZONE" is unique and is setting the trend for automatic door threshold safety. The "BLUE ZONE" provides the ultimate threshold coverage that adds value to the end user. Optex is focused on being better and presenting the "BLUE ZONE" technology matches our commitment to leading the industry with providing safety in the threshold.



*This feature is intended to improve the safety, it does not guarantee the prevention of accidents.

Detection Area

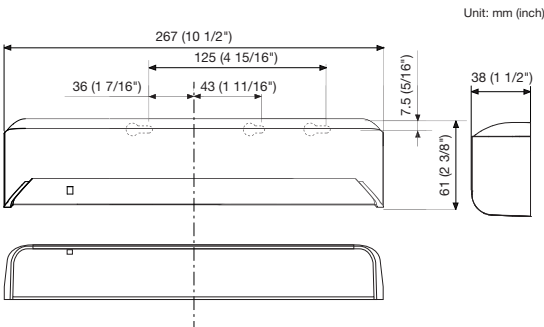


AIR emitting area

The chart shows the values at depth angle +6°

	m (feet, inch)					
A	2.00 (6'7")	2.20 (7'2")	2.50 (8'2")	2.70 (8'10")	3.00 (9'10")	3.50 (11'6")
B	0.05 (2")	0.06 (2")	0.07 (3")	0.074 (3")	0.08 (3")	0.09 (4")
C	0.07 (3")	0.08 (3")	0.09 (4")	0.10 (4")	0.11 (4")	0.12 (5")
D	0.23 (9")	0.25 (10")	0.28 (11")	0.31 (1')	0.34 (1'1")	0.39 (1'4")
E	0.35 (1'2")	0.39 (1'3")	0.44 (1'5")	0.48 (1'7")	0.53 (1'9")	0.61 (2")
F	0.59 (1'11")	0.65 (2'2")	0.74 (2'5")	0.80 (2'8")	0.89 (2'11")	1.03 (3'5")
G	1.21 (3'12")	1.33 (4'4")	1.51 (4'11")	1.63 (5'4")	1.81 (5'11")	2.11 (5'11")
H	1.86 (6'1")	2.05 (6'9")	2.32 (7'7")	2.51 (8'3")	2.79 (9'2")	3.25 (10'8")
I	2.52 (8'3")	2.78 (9'1")	3.15 (10'4")	3.40 (11'2")	3.79 (5'11")	4.42 (14'6")

Dimensions



Specifications

Model	OAM-DUAL T/TV/TF
Cover color	Black / Silver
Mounting height	2.0 (6'6") to 3.5 m (11'6")
Detection method	Active infrared reflection Microwave doppler effect
Detection angle adjustment	AIR area -6 to +6° Microwave area +25 to +45°
Power supply	12 to 24 V AC ±10% (50/60 Hz) 12 to 30 V DC ±10%
Power consumption	< 2.5 W (< 4 VA at AC)
Test input	Opto coupler, voltage 5 to 30 VDC current 6 mA max. (30 VDC)
Activation output	See chart in below
Safety/Test output	Opto coupler (NPN), voltage 5 to 50 VDC current 100 mA max., dark current 600 nA max. (resistance load)
Noise level	< 70 dBA
Output hold time	< 0.5 sec.
Response time	< 0.3 sec.
Operating temperature	-20 to +55°C (-4 to +131°F)
Operating humidity	< 80 %
IP rate	IP54
Weight	320 g
Accessories	Manual, mounting screws, mounting template, area adjustment tool, cable

Activation / Safety Testoutput

	OAM-DUAL T	OAM-DUAL TV	OAM-DUAL TF
1	12 to 24 VAC ±10% / 12 to 30 VDC ±10%		
2	Form A relay 50 V 0.3 A Max.	(+) Voltage output 3.2 V@ 10 mA min. 4.5 V(no load) (-)	Frequency output 100 Hz ±10%
3	Opto coupler(NPN) / Voltage: 5 to 50 VDC		
4	Opto coupler / Voltage: 5 to 30 VDC		

CARGEM Management Corporation

P & E Bldg. #12 United cor. 1st Sts.
Bo. Kapitolyo, Pasig City 1603
Manila, Philippines
Tel: (632) 631-9520
Fax: (632) 631-9512
Website: www.doormax.com.ph