

 HealthCraft Group



EVERY SPACE A SAFER PLACE

healthcraftproducts.com



SUPERPOLE SYSTEM

SUPERPOLE	6
SUPERBAR	7
SUPERTRAPEZE	8
SUPERPOLE ACCESSORIES	9
ADVANTAGE RAIL	10
ADVANTAGE POLE	11
SUPERPOLE FRS	24

BED SAFETY

SMART-RAIL	12
ASSISTA-RAIL	13
E2 CEILING MOUNT TRAPEZE	14



GRAB BARS

PT-RAIL ANGLE	15
EASY MOUNT GRAB BARS	16
EASY MOUNT HOLLOW WALL ANCHOR	17
DEPENDA-BAR	18
L-SHAPED GRAB BAR	19
120° GRAB BAR	19

BATHROOM SAFETY

PT RAIL	20
PT RAIL FLOOR MAST	21
WALL PLATE	21
TOILET ROLL HOLDER	21
SHOWER STOOL	22
TUB RAIL	23



PLUS SERIES - 2 IN 1 BATHROOM SAFETY

CORNER SHELF	27
SHAMPOO SHELF	28
CRESCENT GRAB BAR	29
TOILET PAPER HOLDER	30
TOWEL HOOK	31
TOWEL RING	32
TOWEL BAR	33



INVISIA - ACCESSORIES

ACCENT RING	36
CORNER SHELF	37
TOWEL BAR	38
SOAP DISH	39
TOILET ROLL HOLDER	40
SHAMPOO SHELF	41
ACCENT BAR	42
LINEAR BAR	43

INVISIA - SEATING

SERENASEAT PRO	44
SERENASEAT	46
CORNER SEAT	47
BATH BENCH	48
SHOWER BENCH	49



EMBRACE LIFE



OUR COMMITMENT

We are inspired by potential, ours and that of our customers. That's why we've spent the last two decades designing and manufacturing innovative support products that help people continue to live independently. We believe that nothing should keep you from living the way you want to live. We're dedicated to continue developing new ways to help you continue doing what you love.

OUR PRODUCTS

We create home safety solutions for every room in the house. Healthcraft products help get you to where you need to go.

SUPERPOLE

When it comes to innovative and adaptable home safety products that can be used anywhere in the house, the SuperPole is the industry leader. The SuperPole is a safety pole that can be easily installed between any floor and ceiling by simply turning a jackscrew. The pressure created by the jackscrew is strong enough to support you, yet it does not typically require drilling holes into the floor or ceiling. This is ideal for relocating or removing the pole. Also, it features a grip that provides comfort and an improved surface to grab onto. All this functionality is contained in a clean, modern design that blends into any room.

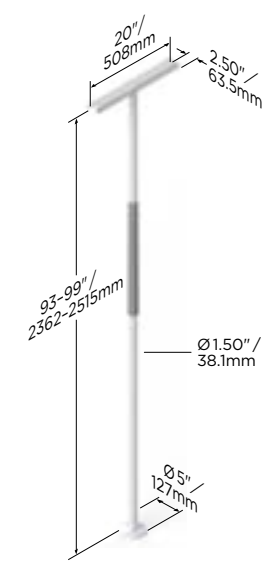


SPECS

Floor to Ceiling Range	93-99" / 2362-2515mm
Pole Diameter	1.5" / 38.1mm
Material	Alloy Steel
Finish	Anti-microbial powder coat white
Code (Weight Capacity)	SP-S (300lbs/136kgs) SP-HD (450lbs/204kgs) SP-CUT (300lbs/136kgs) <i>Custom Cut</i>



PRODUCT DIMENSIONS



SUPERPOLE ADD-ONS

SuperBar	See page 7
SuperTrapeze	See page 8

SUPERPOLE INSTALLATION ACCESSORIES

Uni-Fit Extender	See page 9
SuperPole Ultra	See page 9
Ceiling Plate Extender	See page 9
Angled Ceiling Plate	See page 9

SUPERBAR

With the simple addition of the SuperBar, the SuperPole transforms into an even more versatile product with both horizontal and vertical support. Additionally, with 8 locking positions around the SuperPole (one every 45 degrees), you can stay closer to your support as you move. Push, pull, or lean on the horizontal SuperBar - it offers support that is tailored to your needs.

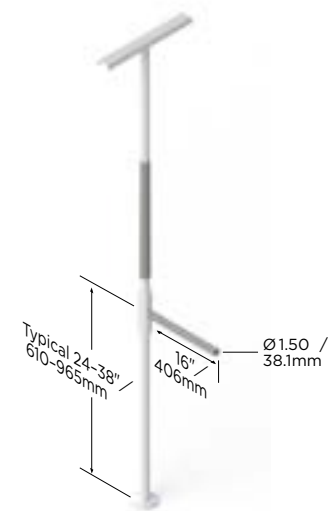


SPECS

Bar Length	16" / 406mm
Bar Diameter	1.50" / 38.1mm
Bar Height on Pole	24-38" / 610-965mm from floor
Bar Locking Positions	8 (every 45 degrees)
Material	Alloy steel
Finish	Anti-microbial powder coat white
Code (Weight Capacity)	SPB-S (300lbs / 136kgs) <i>SuperPole with SuperBar</i> SPB-HD (450lbs / 204kgs) <i>SuperPole Bariatric with SuperBar</i> SPB-AK <i>SuperBar Add On Kit</i>



PRODUCT DIMENSIONS



SUPERBAR INSTALLATION ACCESSORIES

Uni-Fit Extender	See page 9
Ceiling Plate Extender	See page 9
Angled Ceiling Plate	See page 9

SUPERTRAPEZE

The SuperTrapeze is an add-on to the SuperPole that increases its functionality to also include in-bed support. While the SuperPole and SuperBar help you get out and move from the bed, the SuperTrapeze assists in one of the most difficult motions — transferring from a lying position to a seated position in bed. It uses two offset rails to allow for improved use of arm strength and increased comfort. Additionally, it can easily be stored out of the way when not being used.

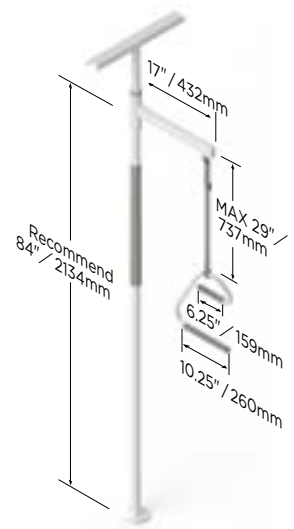


SPECS

Strap Range	3-29" / 76.2-737mm
Support Arm Length	17" / 432mm
Material	Alloy steel
Weight Capacity	300lbs/136kg * 300lbs/136kgs applies to the grab bars. No more than 150lbs/68kgs should be exerted on the trapeze system.
Finish	Anti-microbial powder coat white
Code	STP-S STP-AK (<i>SuperTrapeze Add On Kit</i>)

Install Yourself

PRODUCT DIMENSIONS



SUPERTRAPEZE INSTALLATION ACCESSORIES

Ceiling Plate Extender	See page 9
------------------------	------------

UNI-FIT EXTENDER

Increases SuperPole floor to ceiling range from 93-99" to 99-120" / 2362-2515mm to 2515-3048mm.

Weight Capacity 300lbs/136kgs

Code SP-UF

* Not to be used with SuperTrapeze, SuperPole HD, or SuperPole Ultra.

Install Yourself



SUPERPOLE ULTRA

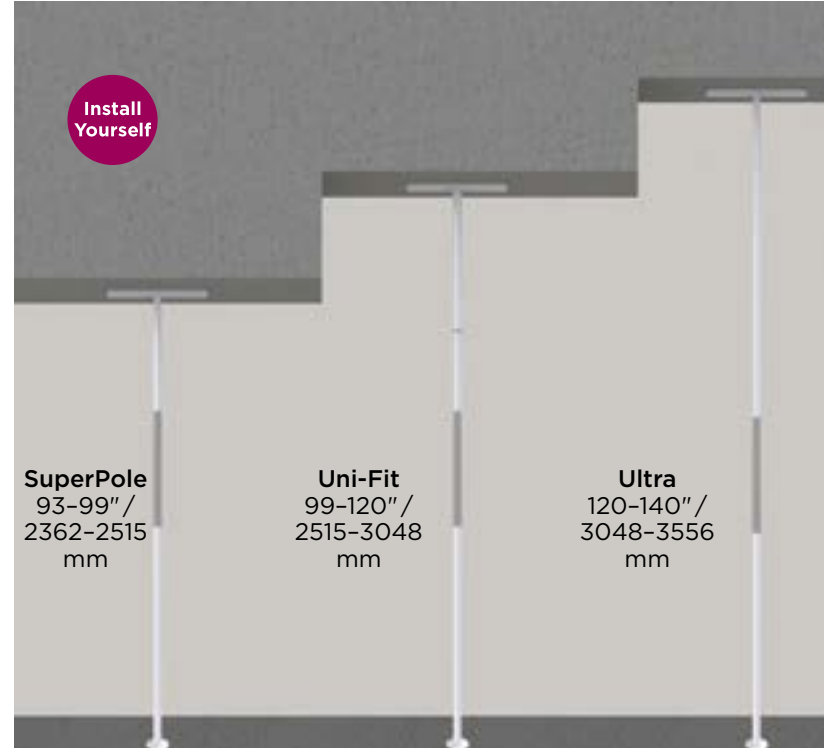
A longer version of the SuperPole with a floor to ceiling range from 120-140" / 3048-3556mm.

Weight Capacity 300lbs/136kgs

Code SP-ULTRA

* Not to be used with SuperBar, SuperTrapeze, Uni-Fit Extender, and Angled Ceiling Plate.

Install Yourself



CEILING PLATE EXTENDER

Allows standard ceiling plate 20" / 508mm length to span 30" / 762mm with holes for ceiling attachment to 24" / 610mm ceiling beam centers.

Code SP-CPE

Install Yourself



ANGLED CEILING PLATE

Installs to ceilings angled between 0-45 degrees. Plate diameter is 18" / 457mm.

Code SP-ACP (300lbs/136kgs)
(Weight Capacity) SP-ACP-AK (Add-On Kit)

* Not to be used with SuperTrapeze, SuperPole HD, or Ceiling Plate Extender.

Install Yourself



ADVANTAGE RAIL

The Advantage Rail is a floor mounted support rail that features our innovative pivot and lock technology for improved versatility and stability. Featuring 8 different locking positions (one at every 45 degrees), the Advantage Rail is the perfect solution for getting where you need to go in rooms that will not accommodate a floor to ceiling support pole.

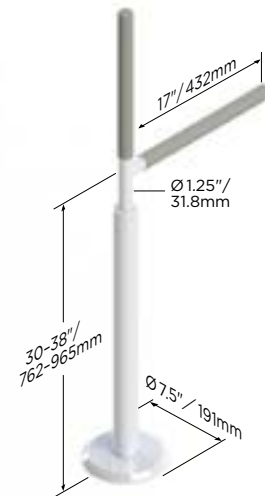


SPECS — ADVANTAGE RAIL

Rail Diameter	1.50" / 38.1mm
Rail Height Range	30-38" / 762-965mm
Rail Length	17" / 432mm
Rail Locking Positions	8 (every 45 degrees)
Material	Alloy Steel
Finish	Anti-microbial powder coat white
Code (Weight Capacity)	AR-T (300lbs/136kgs) AR-T-HD (450lbs/204kgs)

**Contractor
Recommended**

PRODUCT DIMENSIONS



ADVANTAGE POLE

If you do not require the pivot and lock action of the Advantage Rail, but can benefit from a floor mounted support pole, the Advantage Pole is ideal for you. It has a clean and modern design that compliments any décor and is ideal for rooms that will not accommodate a floor to ceiling support pole.



PRODUCT DIMENSIONS



SPECS — ADVANTAGE POLE

Material	Alloy Steel
Finish	Anti-microbial powder coat white
Pole Diameter	1.50" / 38.1mm
Height	54" / 1372mm
Code (Weight Capacity)	AR-AP-HD (450lbs)

ADVANTAGE RAIL/POLE INSTALLATION OPTIONS

ADVANTAGE RAIL/POLE PORTABLE

Each portable model secures and releases from a low profile floor mounted plate. Simply remove rail/pole when it is not needed.

Install additional floor plates to use rail/pole in multiple locations.

SPECS

Code	AR-PT (300lbs/136kgs) <i>Advantage Rail Portable</i>
	AR-PT-HD (450lbs/204kgs) <i>Advantage Rail Bariatric Portable</i>
	AR-AP-P-HD (450lbs/204kgs) <i>Advantage Pole Portable</i>
	AR-FP <i>Floor Plate</i>

Contractor Recommended



SMART-RAIL

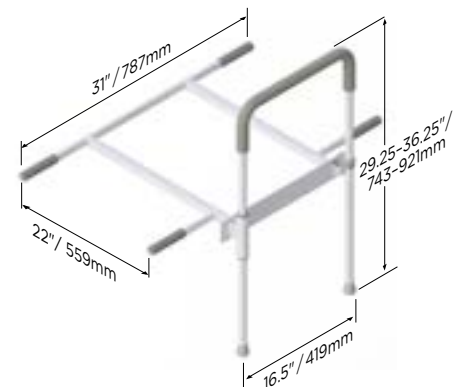
Sitting up and transferring out of bed is made easier with the innovative Smart-Rail. Unlike other bed rails, the Smart-Rail has two positions: closed and open. In the closed position (parallel to the side of the bed), the rail provides support for making adjustments while in bed. In the open position, the rail pivots out from the bed and touches down to the ground to assist movement to a standing position. The Smart-Rail is also easily installed between your mattress and box spring.



SPECS	
Rail (grip) Diameter	1.50" / 38.1mm
Rail Width	16.5" / 419mm
Rail Height Range	29.25-36.25" / 743-921mm
Material	Alloy steel
Finish	Anti-microbial powder coat white
Weight Capacity	300lbs / 136kgs
Code	SRS-S-1PK

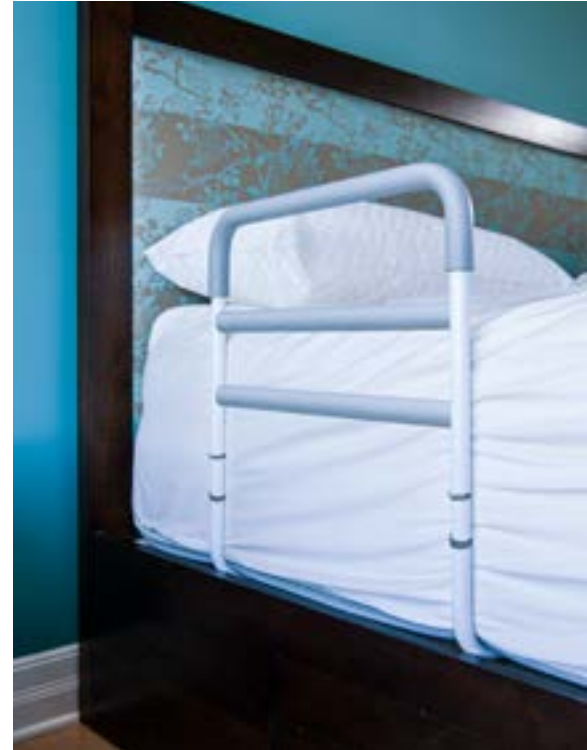
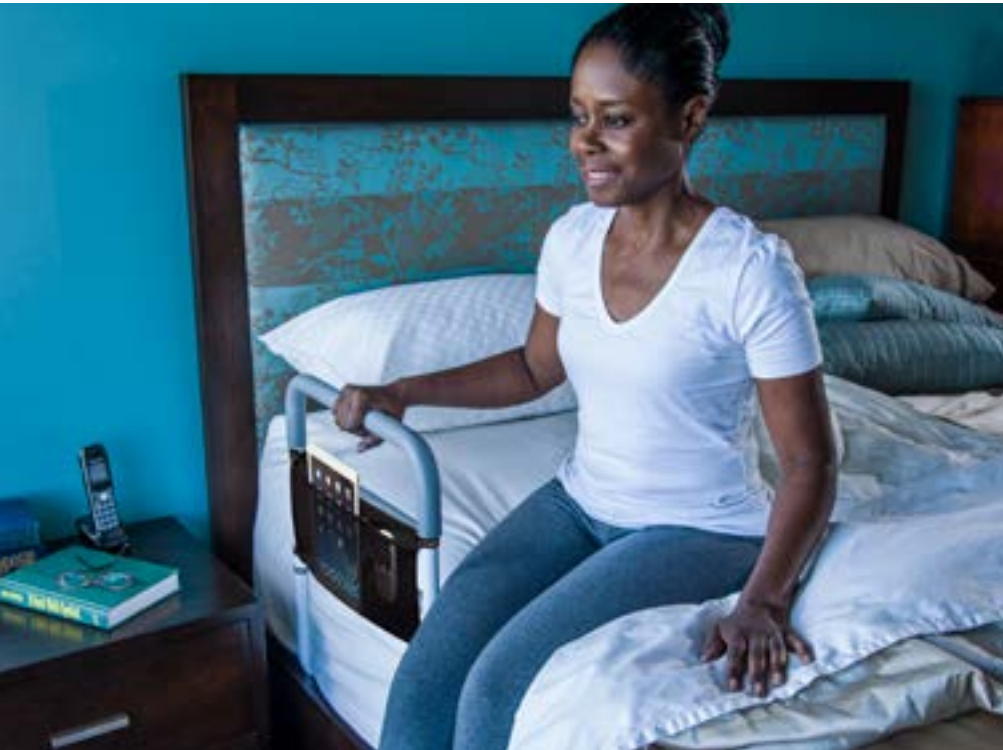
Install Yourself

PRODUCT DIMENSIONS



ASSISTA-RAIL

For in-bed support that's secure and easy to install, nothing compares to the Assista-Rail. Simply install it between your mattress and box spring, and secure in place with safety strap. Rail is height adjustable to accommodate various mattress thicknesses. Includes a convenient bed organizer that keeps your belongings in reach, right beside you.

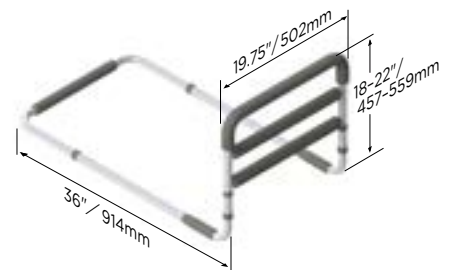


SPECS

Rail (grip) Diameter	1.50" / 38.1mm
Rail Width	19.75" / 502mm
Rail Height Range	18-22" / 457-559mm
Material	Alloy steel
Finish	Anti-microbial powder coat white
Weight Capacity	300lbs / 136kgs
Code	AST-S-1PK



PRODUCT DIMENSIONS



e2 CEILING MOUNT TRAPEZE

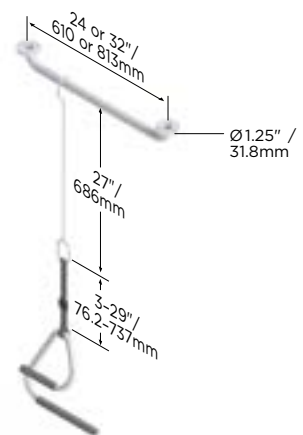
For those who need help sitting up in bed but don't have the room for a SuperPole, there's the e2 Ceiling Mounted Trapeze. Like the SuperTrapeze, it assists you in moving from a lying position to a seated position in bed by using two offset rails. However, instead of attaching to the SuperPole, the e2 Trapeze hangs from a ceiling mounted grab bar. This means it can easily be slid to one side of the bed or removed and stored out of the way when not in use.



SPECS	
Ceiling Bar Length	24" or 32" / 610mm or 813mm
Hook Length	27" / 686mm
Strap Range	3-29" / 76.2-737mm
Material	Alloy steel
Weight Capacity	300lbs/136kg * 300lbs/136kgs applies to the grab bars. No more than 150lbs/68kgs should be exerted on the trapeze system.
Finish	Anti-microbial powder coat white
Code	STP-CM-24 (24" ceiling bar) STP-CM-32 (32" ceiling bar)

Contractor Recommended

PRODUCT DIMENSIONS



PT RAIL ANGLED

We created the PT Rail Angled for additional support when going up and down two or three stairs. Like the PT Rail, it mounts to the wall and can be lifted out of the way when not in use. However, it can be adjusted between 0 and 30 degrees to suit the angle of the stairs it's mounted beside.



SPECS

Rail Length	32" / 813mm
Rail Diameter	1.50" / 38.1mm
Rail Angle Range	0-30 degrees
Material	Alloy steel
Finish	Anti-microbial powder coat white
Weight Capacity	400lbs / 181kgs
Code	PT-ANG-32-PCW

Contractor Recommended

PRODUCT DIMENSIONS



INSTALLATION OPTIONS

PT Mast	See page 21
Wall Plate	See page 21

EASY MOUNT GRAB BARS

Easy Mount Grab Bars provide secure support to assist you in any room in your house. While other bars have standard three hole flanges, the Easy Mount Grab Bar has nine holes, which means greater versatility during installation. The extra holes provide mounting options for angled grab bar installations, and for areas where stud spacing may vary from 16" centers. It is easy to add an additional mounting screw for peace of mind. Flange covers conceal the screws for a simple and modern finish.

Easy Mount
9-Hole
Flange

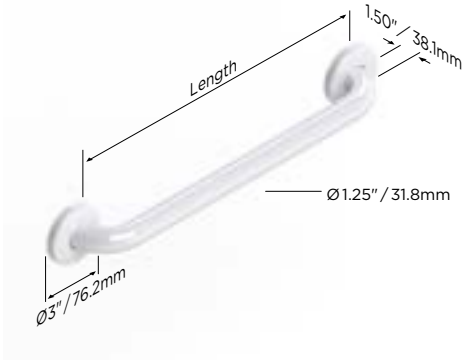


SPECS

Rail Diameter	1.25" / 31.8mm (ADA Compliant)		
Wall Clearance	1.50" / 38.1mm (ADA Compliant)		
Material	Stainless Steel		
Weight Capacity	500lbs / 227kgs (12, 18, 24) 400lbs / 181kgs (32, 36, 42)		
Finish	Smooth White (SW)	Polished Chrome (CP)	Knurled (SK)
Length	12" / 305mm	12" / 305mm	12" / 305mm
	18" / 457mm	18" / 457mm	18" / 457mm
	24" / 610mm	24" / 610mm	24" / 610mm
		32" / 813mm	32" / 813mm
		36" / 914mm	36" / 914mm
		42" / 1067mm	
Code	G125		

Contractor Recommended

PRODUCT DIMENSIONS



EASY MOUNT HOLLOW WALL ANCHOR

*Available Summer 2023

The Easy Mount Hollow Wall Anchor is intended to assist in grab bar installations where there is no structural wood backing by distributing the loads onto the wall substrate. The mounting plate is installed on the front of the wall, and bolts directly to the anchor which is positioned behind the wall. The mounting plate provides threaded holes for a grab bar to be secured with machine screws. The foam gasket on the back of the mounting plate provides a seal to protect from water penetration.

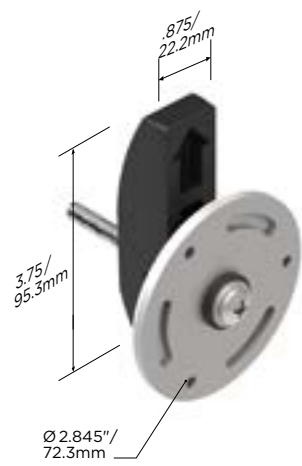


SPECS

Anchor Material	Nylon
Plate Material	Stainless Steel
Weight Capacity	300lbs/136kgs
Compatilby	Healthcrafts 9-hole flange (Easy Mount, Plus Series)
Hole in Wall	Ø1.25" / 31.75mm
Wall Thickness Requirement	½ or ⅝ drywall ½ or ⅝ drywall with tile/marble ⅛ or ¼ fiberglass tub surround
Code	HWA-S

Install Yourself

PRODUCT DIMENSIONS



DEPENDA-BAR

The Dependa-Bar offers an unparalleled range of bathtub and shower support. Along with providing traditional grab bar support, the Dependa-Bar features our pivot and lock technology allowing for 5 different positions (one every 45 degrees). This means the Dependa-Bar is where you need it when bathing or showering, and can be locked out of the way against the wall when not being used.



SPECS		
Rail Diameter	1.25" / 31.8mm	
Pivot Rail Length	18" / 457mm	Contractor Recommended
Pivot Rail Locking Positions	5 (every 45 degrees)	
Fixed Grab Bar Length	18" / 457mm	
Material	Stainless Steel	
Weight Capacity	325lbs/147kgs	
Finishes	Anti-microbial powder coat white (PCW) Knurled (SK)	
Code	DB-18-PCW DB-18-SK	

PRODUCT DIMENSIONS



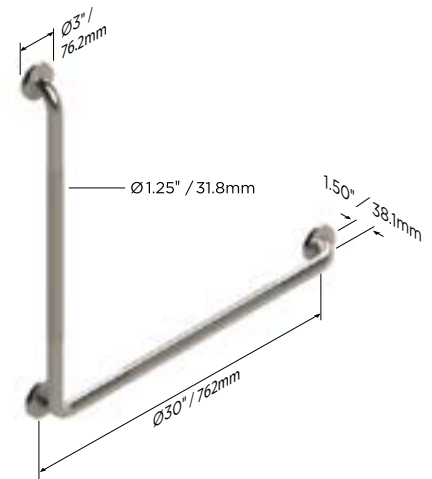
L-SHAPED GRAB BAR / 120° GRAB BAR



SPECS

Angle	90 degrees
Rail Diameter	1.25" / 31.8mm (ADA Compliant)
Wall Clearance	1.50" / 38.1mm (ADA Compliant)
Material	Stainless Steel
Finish	Knurled
Length	30x30" / 762x762cm
Weight Capacity	500lbs / 227kgs
Code	G125SK30X30F9

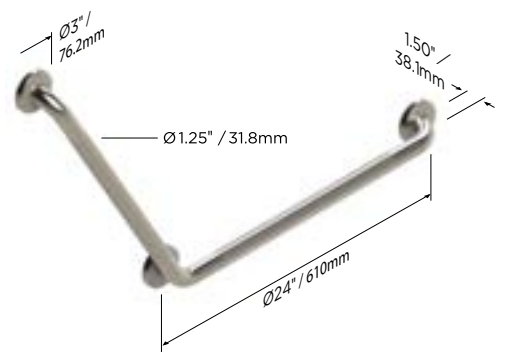
PRODUCT DIMENSIONS



SPECS

Angle	120 degrees
Rail Diameter	1.25" / 31.8mm (ADA Compliant)
Wall Clearance	1.50" / 38.1mm (ADA Compliant)
Material	Stainless Steel
Finish	Knurled
Length	24x24" / 610x610cm
Weight Capacity	500lbs / 227kgs
Code	G125SK24X24F9

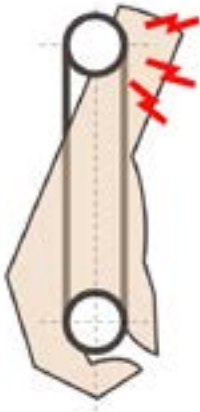
PRODUCT DIMENSIONS



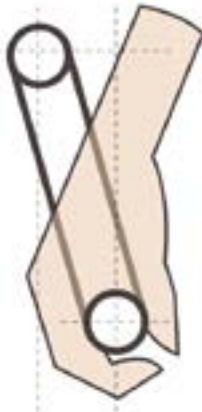
PT RAIL

Mobility around the toilet is made much easier and more secure with the PT Rail. It provides sturdy support featuring offset rails to help reduce wrist strain (when gripping the lower rail). Additionally, when not in use, you can lift the PT Rail up and store it flush against your bathroom walls.

STANDARD DUAL RAIL



OFFSET P.T.RAIL



SPECS

Rail Diameter	1.50" / 38.1mm	Contractor Recommended
Weight Capacity	400lbs / 181kgs	
Finish/Material	Anti-microbial powder coat white on Alloy Steel (PCW) Brushed Pattern on Stainless Steel (SS)	
Side	Right (R) or Left (L)	



28" / 711mm (28)	PT-WR28R-PCW PT-WR28R-SS	PT-WR28L-PCW PT-WR28L-SS
32" / 813mm (32)	PT-WR32R-PCW PT-WR32R-SS	PT-WR32L-PCW PT-WR32L-SS
36" / 914mm (36)	PT-WR32R-PCW PT-WR32R-SS	PT-WR32L-PCW PT-WR32L-SS

PRODUCT DIMENSIONS



PT RAIL FLOOR MAST

If fastening to the wall isn't an option, a Floor Mast can provide an alternative mounting structure to install a PT Rail. The rail is height adjustable on the mast.

SPECS

Mast Height	39" / 991mm
Base Plate	4x6" / 102x152mm
Clamp Plate	5.5x9" / 140x229mm
Weight Capacity	400lbs / 181kgs

A. Finish/Material Anti-microbial powder coat white on Alloy Steel (PCW)
 Brushed Pattern on Stainless Steel (SS)

Code PT-WRM-PCW
 PT-WRM-SS
 *PT-RAIL sold seperately

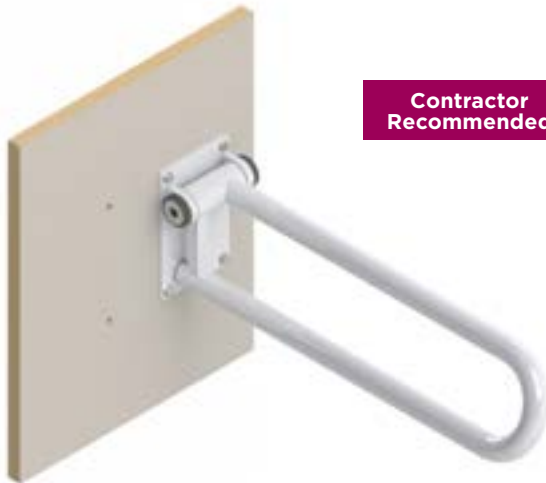
Contractor Recommended



WALL PLATE

A high quality Baltic 11-ply wood construction that allows the installation of the PT Rail without having to open walls and create structural reinforcement.

Weight Capacity	400lbs / 181kgs
Code	PT-WP-WD *PT-RAIL sold seperately



Contractor Recommended

TOILET ROLL HOLDER

Add to any PT Rail to minimize reaching and twisting for toilet paper.

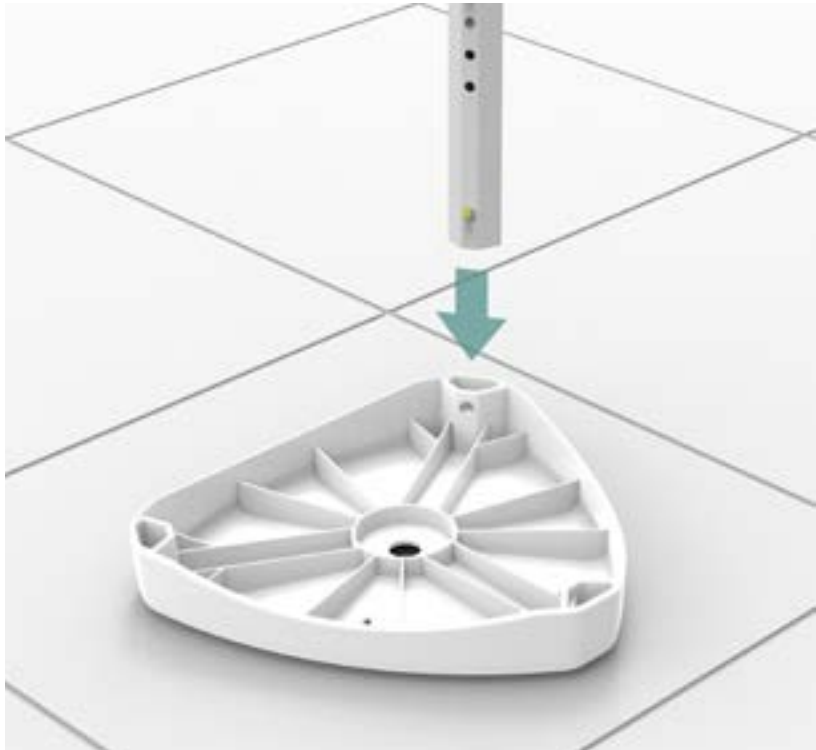
Code	PT-TRH *PT-RAIL sold seperately
------	------------------------------------



Install Yourself

SHOWER STOOL

The perfect place to sit safely and comfortably in the shower. Lightweight, solid and secure, our Shower Stool assembles in minutes with no tools required. The seat is height adjustable, and the aluminum legs will never rust. Featuring drainage holes, cleaning the seat is easy and the rubber feet are non-marking.



SPECS	
Seat Height	16.75-23" / 425-584mm
Seat	14.25" / 362mm
Seat Material	ABS Plastic
Leg Material	Anodized Aluminum
Weight Capacity	300lbs/136kgs
Code	SST-S-1Pk

Install Yourself

PRODUCT DIMENSIONS



TUB RAIL

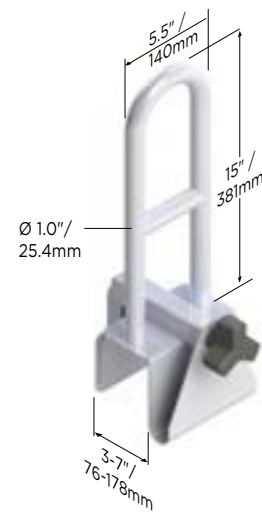
Provide safety while entering and exiting the bathtub. Designed to fit a variety of tub widths, the Easy Mount Tub-Rail installs easily and securely with no tools required. The 15" handle has gripping surfaces at two different heights for comfort. Powder coat over steel provides a strong and rust resistant gripping surface.



SPECS	
Rail Height	15" / 381mm
Rail Width	5.5" / 140mm
Rail Diameter	1.0" / 25.4mm
Fits Tub Threshold	3-7" / 76-178mm
Material	Steel
Finish	White
Weight Capacity	300lbs / 136kgs
Code	TBR-S-1PK



PRODUCT DIMENSIONS



SUPERPOLE FRS

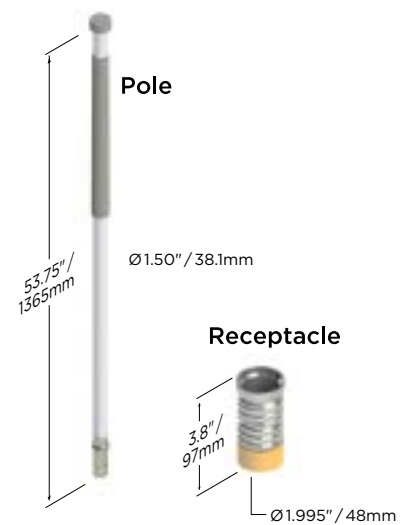
The SuperPole FRS is a floor mounted support pole that's specially made for care facilities. A floor receptacle is permanently installed into the concrete, flush with the floor surface to reduce trip hazards. When not in use, the receptacle is sealed with a liquid tight cap. When support is needed, the cap is easily removed and the pole can be inserted into the receptacle. The SuperPole FRS makes adapting to the needs of different clients in a care facility easier than ever.



SPECS	
Pole Diameter	1.50" / 38.1mm
Pole Height (Installed)	53.75" / 1365mm
Floor Receptacle	3.8" x 1.9" diameter / 97mm x 48mm diameter
Concrete Slab Min Depth	6" / 152mm
Material	Alloy steel
Finish	Anti-microbial powder coat white
Weight Capacity	450lbs / 204kgs
Code	FRS-P (Pole only) FRS-FR (Receptacle only)

Contractor Recommended

PRODUCT DIMENSIONS







PLUS SERIES

Combines grab bars with everyday bathroom accessories.



CORNER SHELF

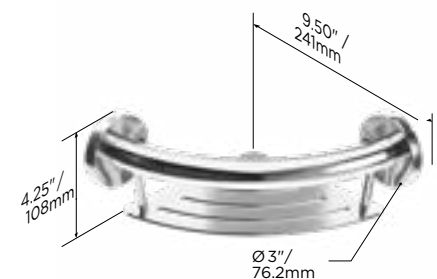
Offering grab bar support but working as a shelf, the PLUS Corner Shelf gives you the benefit of bathroom support with an affordable design. The shelf fits even the largest bottles and has integrated drainage to prevent soap and water build up. Keep your bathroom products off the floor or in hard to reach areas by having them exactly at the height you need them.



SPECS

Rail Diameter	1.25" / 31.8mm (ADA Compliant)	
Material	Stainless Steel	
Weight Capacity	500lbs/227kg (Exceeds ADA 4.26.3 structural strength requirements for shower seats and fasteners (250lbs/113kgs))	
Finish/Code	Polished Chrome	PLUS-CS-CP
	Brushed Stainless	PLUS-CS-BS
	Matte Black	PLUS-CS-BLK

PRODUCT DIMENSIONS



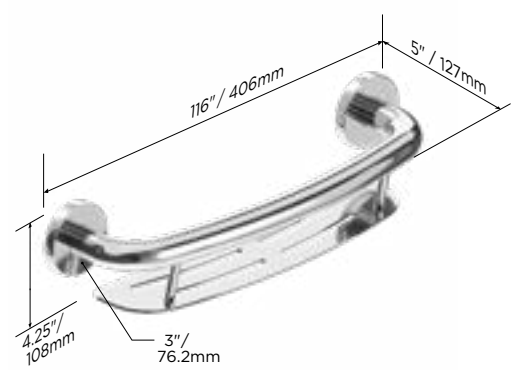
SHAMPOO SHELF

No more bending down to grab fallen bottles. Have your shampoo at the height you want it. The PLUS Shampoo Shelf holds even the largest bottles but supports like a grab bar when you need it. The integrated drainage helps prevent water and soap build up and keep the shelf clean.



SPECS		
Rail Diameter	1.25" / 31.8mm (ADA Compliant)	
Material	Stainless Steel	
Weight Capacity	500lbs/227kg (Exceeds ADA 4.26.3 structural strength requirements for shower seats and fasteners (250lbs/113kgs))	
Finish /Code	Polished Chrome	PLUS-SHS-CP
	Brushed Stainless	PLUS-SHS-BS
	Matte Black	PLUS-SHS-BLK

PRODUCT DIMENSIONS



*Aligns with 16" centers for an easy installation.



CRESCENT GRAB BAR

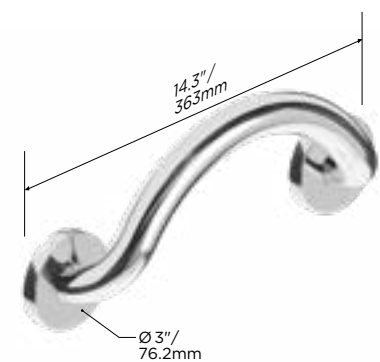
There is no need to use your faucets as a grab bar. The PLUS Crescent Grab Bar can be installed above your shower faucet or on a bathroom wall to give you support exactly where you need it. Use it when getting out of a relaxing bath or when turning on the water.



SPECS

Rail Diameter	1.25" / 31.8mm (ADA Compliant)	
Wall Clearance	1.5" / 38.5mm (ADA Compliant)	
Material	Stainless Steel	
Weight Capacity	500lbs/227kg (Exceeds ADA 4.26.3 structural strength requirements for shower seats and fasteners (250lbs/113kgs))	
Finish /Code	Polished Chrome	PLUS-CGB-CP
	Brushed Stainless	PLUS-CGB-BS
	Matte Black	PLUS-CGB-BLK

PRODUCT DIMENSIONS



*Aligns with vertical stud for easy installation.



TOILET PAPER HOLDER

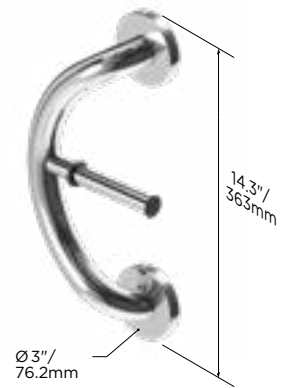
Using the wall as a grab bar doesn't have to happen. The PLUS Toilet Paper Holder mounts against the wall to give you support where you need it when you need it.



SPECS

Rail Diameter	1.25" / 31.8mm (ADA Compliant)	
Wall Clearance	1.5" / 38.5mm (ADA Compliant)	
Material	Stainless Steel	
Weight Capacity	500lbs/227kg (Exceeds ADA 4.26.3 structural strength requirements for shower seats and fasteners (250lbs/113kgs))	
Finish /Code	Polished Chrome	PLUS-TP-CP
	Brushed Stainless	PLUS-TP-BS
	Matte Black	PLUS-TP-BLK

PRODUCT DIMENSIONS



*Aligns with vertical stud for easy installation.



TOWEL HOOK

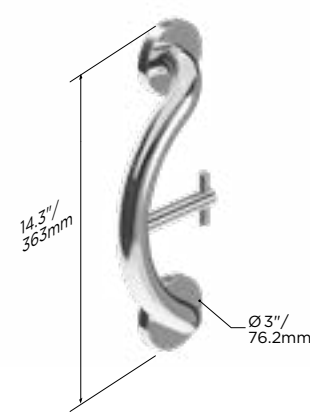
Your bathroom can feel like a spa when you have your bathroom or towel in the perfect place. The PLUS Towel Hook allows you to hold on to the fixture for support when you grab your towel or robe.



SPECS

Rail Diameter	1.25" / 31.8mm (ADA Compliant)	
Wall Clearance	1.5" / 38.5mm (ADA Compliant)	
Material	Stainless Steel	
Weight Capacity	500lbs/227kg (Exceeds ADA 4.26.3 structural strength requirements for shower seats and fasteners (250lbs/113kgs))	
Finish /Code	Polished Chrome	PLUS-TH-CP
	Brushed Stainless	PLUS-TH-BS
	Matte Black	PLUS-TH-BLK

PRODUCT DIMENSIONS



*Aligns with vertical stud for easy installation.



TOWEL RING

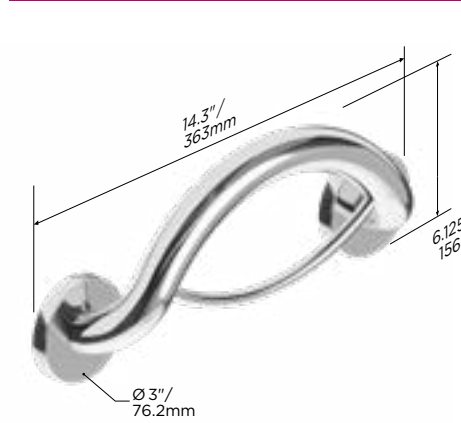
Get ready for your day with confidence. The PLUS Towel Ring holds your face clothes and small towels at the perfect height without having you reach across to grab. Place the Towel Ring near your mirror or sink for support where you need it.



SPECS

Rail Diameter	1.25" / 31.8mm (ADA Compliant)	
Wall Clearance	1.5" / 38.5mm (ADA Compliant)	
Material	Stainless Steel	
Weight Capacity	500lbs/227kg (Exceeds ADA 4.26.3 structural strength requirements for shower seats and fasteners (250lbs / 113kgs))	
Finish /Code	Polished Chrome	PLUS-TR-CP
	Brushed Stainless	PLUS-TR-BS
	Matte Black	PLUS-TR-BLK

PRODUCT DIMENSIONS



TOWEL BAR

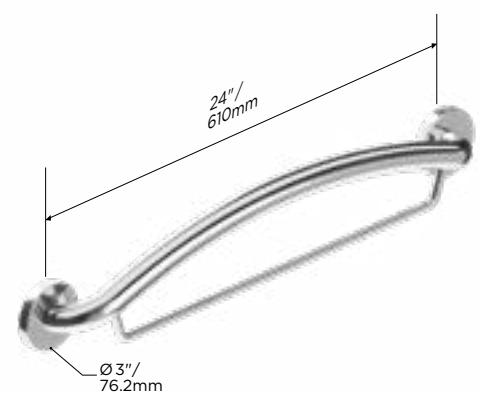
Your towel bar should do more than just hold your towels. The PLUS Towel Bar holds even your largest of towels but can be grabbed onto when you need the support.



SPECS

Rail Diameter	1.25" / 31.8mm (ADA Compliant)	
Wall Clearance	1.5" / 38.5mm (ADA Compliant)	
Material	Stainless Steel	
Weight Capacity	500lbs/227kg (Exceeds ADA 4.26.3 structural strength requirements for shower seats and fasteners (250lbs/113kgs))	
Finish /Code	Polished Chrome	PLUS-TB24-CP
	Brushed Stainless	PLUS-TB24-BS
	Matte Black	PLUS-TB24-BLK

PRODUCT DIMENSIONS



*Aligns with 24" centers to easily replace existing towel bars.





INVISIA



WHERE ELEGANCE MEETS FUNCTIONALITY

OUR DESIGN APPROACH

At Invisia, We believe the bathroom should be a beautiful, peaceful, and calming place. A place where you can relax after a long day and forget about your worries. We also believe that the bathroom should be a safe place.

Everything we design and manufacture is inspired by the idea that style and safety are not mutually exclusive. Something that's elegant can also be functional. Something that's beautiful can also provide security. Something stunning can be safe. Invisia products get noticed. Most people just don't realize how safe they are.

OUR COMMITMENT

We think that people shouldn't have to choose between a beautiful bathroom and a safe bathroom.

That's why we're committed to designing and manufacturing bathroom accessories that blend style and safety. So you can have peace of mind without sacrificing your design aesthetic.

ACCENT RING

A beautiful addition to any bathroom, the Accent Ring elegantly frames your shower valve while providing unparalleled support.



SPECS

Rail Diameter	1.25" / 31.8mm	
Weight Capacity	500lbs/227kg (Exceeds ADA 4.26.3 structural strength requirements for shower seats and fasteners (250lbs/113kgs))	
Wall Clearance	1.5" / 38.1mm	
Material	Stainless Steel	
Finish/Code	Polished Chrome	INV-ACR-CP
	Brushed Stainless	INV-ACR-BS
	Matte Black	INV-ACR-BLK
	Oil Rubbed Bronze	INV-ACR-ORB

PRODUCT DIMENSIONS



CORNER SHELF

You can never have too much shelf space in the shower, especially when it looks this good. The Corner Shelf incorporates a solid support bar for added assistance. It also features a removable tray for easy cleaning.



SPECS

Rail Diameter	1.25" / 31.8mm	
Weight Capacity	500lbs/227kg (Exceeds ADA 4.26.3 structural strength requirements for shower seats and fasteners (250lbs/113kgs))	
Material	Stainless Steel	
Finish/Code	Polished Chrome	INV-CS-CP
	Brushed Stainless	INV-CS-BS
	Matte Black	INV-CS-BLK
	Oil Rubbed Bronze	INV-CS-ORB

PRODUCT DIMENSIONS



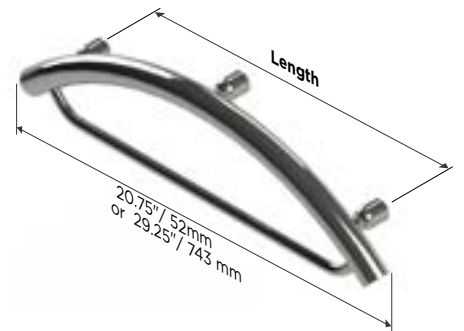
TOWEL BAR

The sleek Towel Bar gives any bathroom a modern look while providing a secure bar to hold onto when drying off.



SPECS		
Rail Diameter	1.25" / 31.8mm	
Wall Clearance	1.5" / 38.1mm	
Weight Capacity	500lbs/227kg (Exceeds ADA 4.26.3 structural strength requirements for shower seats and fasteners (250lbs/113kgs))	
Material	Stainless Steel	
Finish/Code 16"/406mm	Polished Chrome Brushed Stainless Matte Black Oil Rubbed Bronze	INV-TB-16-CP INV-TB-16-BS INV-TB-16-BLK INV-TB-16-ORB
Finish/Code 24"/610mm	Polished Chrome Brushed Stainless Matte Black Oil Rubbed Bronze	INV-TB-24-CP INV-TB-24-BS INV-TB-24-BLK INV-TB-24-ORB

PRODUCT DIMENSIONS



SOAP DISH

*While quantities last

The perfect place to store your soap also offers just the right amount of assistance. It also features a removable soap tray for easy cleaning.



SPECS

Rail Diameter	1.25" / 31.8mm	
Wall Clearance	1.5" / 38.1mm	
Material	Stainless Steel, Corian	
Weight Capacity	500lbs/227kg (Exceeds ADA 4.26.3 structural strength requirements for shower seats and fasteners (250lbs/113kgs))	
Finish/Code	Brushed Stainless	INV-SD-BS
	Matte Black	INV-SD-BLK
	Oil Rubbed Bronze	INV-SD-ORB

PRODUCT DIMENSIONS



TOILET ROLL HOLDER

A stunning addition to any bathroom that offers discreet support for sitting down on and getting up from the toilet.



SPECS

Rail Diameter	1.25" / 31.8 mm	
Wall Clearance	1.5" / 38.1 mm	
Material	Stainless Steel	
Weight Capacity	500lbs/227kg (Exceeds ADA 4.26.3 structural strength requirements for shower seats and fasteners (250lbs/113kgs))	
Finish/Code	Polished Chrome	INV-WTRH-CP
	Brushed Stainless	INV-WTRH-BS
	Matte Black	INV-WTRH-BLK
	Oil Rubbed Bronze	INV-WTRH-ORB

PRODUCT DIMENSIONS



SHAMPOO SHELF

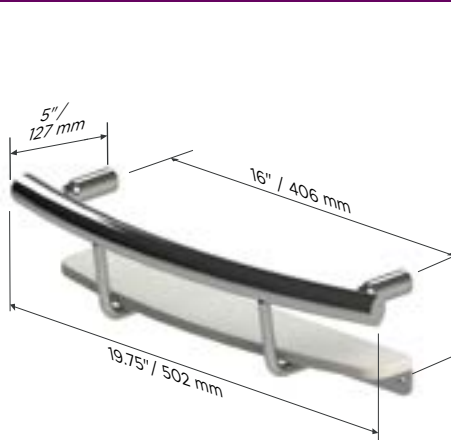
Store your shampoo bottles on a sophisticated shelf that incorporates a support bar to provide peace of mind. It also features a removable tray for easy cleaning.



SPECS

Rail Diameter	1.25" / 31.8mm	
Weight Capacity	500lbs/227kg (Exceeds ADA 4.26.3 structural strength requirements for shower seats and fasteners (250lbs/113kgs))	
Material	Stainless Steel, Corian	
Finish/Code	Polished Chrome	INV-SHS-CP
	Brushed Stainless	INV-SHS-BS
	Matte Black	INV-SHS-BLK
	Oil Rubbed Bronze	INV-SHS-ORB

PRODUCT DIMENSIONS



ACCENT BAR

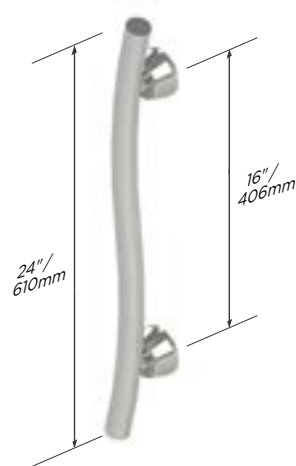
A bold, stylish way to breathe new life into any bathroom, our Accent Bar can be placed wherever support is needed.



SPECS

Rail Diameter	1.25" / 31.8mm	
Wall Clearance	1.5" / 38.1mm	
Weight Capacity	500lbs/227kg (Exceeds ADA 4.26.3 structural strength requirements for shower seats and fasteners (250lbs/113kgs))	
Material	Stainless Steel	
Finish/Code	Polished Chrome	INV-ACB-CP
	Brushed Stainless	INV-ACB-BS
	Matte Black	INV-ACB-BLK
	Oil Rubbed Bronze	INV-ACB-ORB

PRODUCT DIMENSIONS



LINEAR BAR

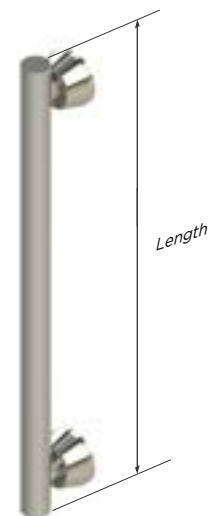
A simple and clean way to add support without compromising the beauty of the space. Install vertically, horizontally or on a diagonal.



SPECS

Rail Diameter	1.25" / 31.8mm	
Wall Clearance	1.5" / 38.1mm	
Weight Capacity	500lbs/227kg (Exceeds ADA 4.26.3 structural strength requirements for shower seats and fasteners (250lbs/113kgs))	
Material	Stainless Steel	
Finish/Code 12" / 305mm (12)	Polished Chrome	INV-LB12-CP
	Brushed Stainless	INV-LB12-BS
	Matte Black	INV-LB12-BLK
	Oil Rubbed Bronze	INV-LB12-ORB
Finish/Code 18" / 457mm (18)	Polished Chrome	INV-LB18-CP
	Brushed Stainless	INV-LB18-BS
	Matte Black	INV-LB18-BLK
	Oil Rubbed Bronze	INV-LB18-ORB
Finish/Code 24" / 610mm (24)	Polished Chrome	INV-LB24-CP
	Brushed Stainless	INV-LB24-BS
	Matte Black	INV-LB24-BLK
	Oil Rubbed Bronze	INV-LB24-ORB

PRODUCT DIMENSIONS



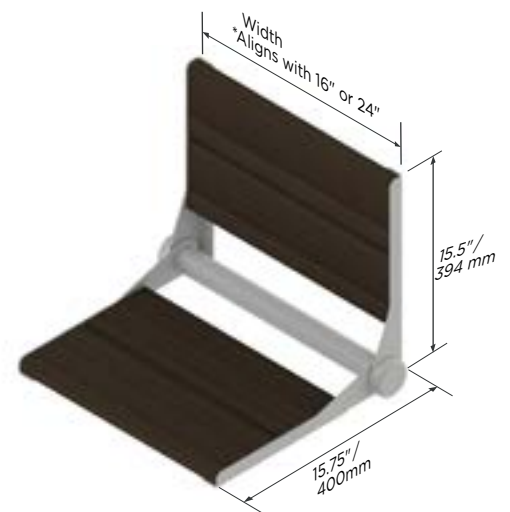
SERENASEAT PRO

Inspired by the spa, this beautiful seat provides an area for rest and relaxation. Can easily fold up against the wall when not in use. Easily adjust the friction required to fold the seat thanks to the hidden mechanism.



SPECS	
Frame Material	Stainless Steel
Wood Type	1" Thick Bamboo
Weight Capacity	500lbs/227kg (Exceeds ADA 4.26.3 structural strength requirements for shower seats and fasteners (250lbs/113kgs))
Wood Stain	Waterproof Polyurethane
Width	18" / 457mm (18) 26" / 660mm (26)
Wood Finish	Light (LIGHT) Medium (MEDIUM)
Frame Finish	Polished Chrome (CP) Brushed Stainless (BS) Matte Black (BLK) Oil Rubbed Bronze (ORB) Matte White (WHT)
Code	INV-WSFD

PRODUCT DIMENSIONS





SERENASEAT

Inspired by the spa, this beautiful seat provides an area for rest and relaxation. Can easily fold up against the wall when not in use.

IMPROVED
DESIGN



SPECS

Frame Material	Aluminum
Wood Type	3/4" Thick Bamboo
Wood Stain	Waterproof Polyurethane
Weight Capacity	400lbs/181kg (Exceeds ADA 4.26.3 structural strength requirements for shower seats and fasteners (250lbs/113kgs))
Width	18" / 457mm (18) 26" / 660mm (26)
Wood Finish	Walnut (WNT)
Frame Finish	Matte Black (BLK) Powder Coat Grey (PCG) Oil Rubbed Bronze (ORB)
Code	INV-WSAL

PRODUCT DIMENSIONS



CORNER SEAT

Add a little luxury to your shower with our elegant Corner Seat that provides a solid surface to sit on while contributing to a peaceful bathroom environment.



SPECS

Frame Material	Stainless Steel
Wood Type	Bamboo
Weight Capacity	500lbs/227kg (Exceeds ADA 4.26.3 structural strength requirements for shower seats and fasteners (250lbs/113kgs))
Wood Finish	Medium (MEDIUM) Light (LIGHT) Honey (HNY) Ash (ASH)
Frame Finish	Polished Chrome (CP) Brushed Stainless (BS) Matte Black (BLK) Oil Rubbed Bronze (ORB) Matte White (WHT) Powder Coat Grey (PCG)
Code	INV-WSCS

PRODUCT DIMENSIONS



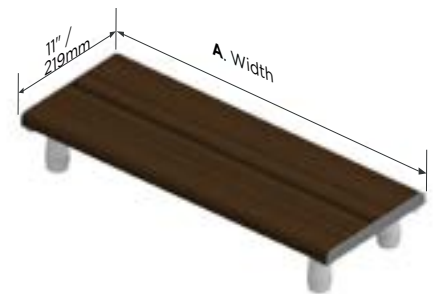
BATH BENCH

The perfect place to put a glass of wine and a good book also doubles as a seating surface. Can easily be removed and stored out of the way.



SPECS	
Frame Material	Stainless Steel
Wood Type	Bamboo
Weight Capacity	500lbs/227kg (Exceeds ADA 4.26.3 structural strength requirements for shower seats and fasteners (250lbs/113kgs))
Width	30" / 762mm (30) 35" / 889mm (35)
Wood Finish	Walnut (WNT) Ash (ASH) Honey(HNY) Medium (MEDIUM)
Frame Finish	Brushed Stainless (BS) Matte Black (BLK) Oil Rubbed Bronze (ORB) Matte White (WHT) Powder Coat Grey (PCG)
Code	INV-WSBB

PRODUCT DIMENSIONS



SHOWER BENCH

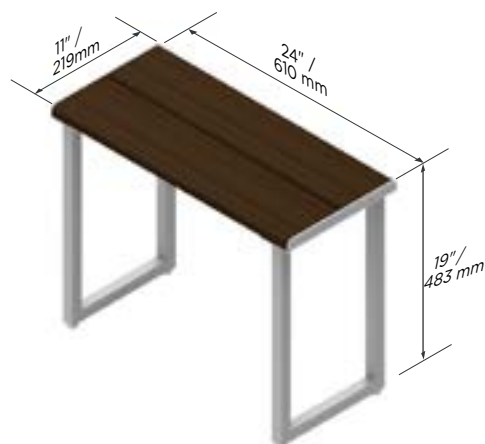
An elegant free standing bench with clean lines that provides a luxurious focal design suited for any bathroom – a perfect resting place to enjoy a spa like experience.



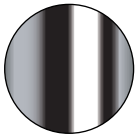
SPECS

Frame Material	Stainless Steel
Wood Type	Bamboo
Weight Capacity	500lbs/227kg (Exceeds ADA 4.26.3 structural strength requirements for shower seats and fasteners (250lbs/113kgs))
Wood Finish	Medium (MEDIUM) Light (LIGHT) Honey (HNY) Walnut (WNT) Ash (ASH)
Frame Finish	Polished Chrome (CP) Brushed Stainless (BS) Oil-Rubbed Bronze (ORB) Matte Black (BLK) Matte White (WHT) Powder Coat Grey (PCG)
Code	INV-WSSB

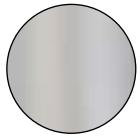
PRODUCT DIMENSIONS



METAL FINISHES



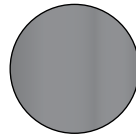
Polished
Chrome



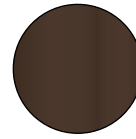
Brushed
Stainless



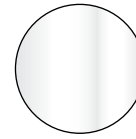
Matte
Black



Matte
Grey



Oil Rubbed
Bronze



Matte
White

BAMBOO STAINS



Walnut



Ash



Honey



Light



Medium

WARRANTY

All Invisia™ Collection products are covered by a one year limited. Buyer hereby indemnifies, agrees to hold harmless and defend the manufacturer/distributor of the Invisia™ Collection from and against any and all liabilities, claims, (founded and unfounded), losses, damages, costs and expenses (including without limitation consequential damages and reasonable professional fees) resulting from buyers specification, application, or improper use of goods described hereon; buyers omission or neglect. The manufacturer/ distributor of the Invisia™ Collection does not assume any liability for damage resulting from services performed by others or faulty installation, misuse or misapplication of goods. The manufacturer/ distributor of the Invisia™ Collection shall not be liable for prospective profits or special, indirect, or consequential damages, or for the cost of any corrective work done without prior approval. Manufacturer/ distributor of the Invisia™ Collection total liability hereunder shall in no event exceed the purchase price of the goods specified hereon.

BAMBOO

To retain the natural beauty of bamboo, each slat is finished with an extremely durable 2 part natural oil finish that does not contain volatile organic compounds (VOCs) or other harmful chemicals. While uncommon, water discoloration may be noticed when exposed to the wood and this is due to the natural oils in the wood reacting with minerals present in certain types of water (referred to as leaching). The applied oil finish reduces the effects of this natural discoloration and it should fade over time, but wipe down after use if discoloration is observed. No two seats are exactly alike and indentations, slight cracks and color variations are to be expected. WOOD CONTACT SENSITIVITY: Sensitivity to bamboo is uncommon but some people may experience skin irritation. Test if unsure.

All designs & specifications subject to change without notice.

 HealthCraft Group



2790 Fenton Road
Ottawa, Canada
K1T 3T7

T: 1(613)822-1885
F: 1(613)822-1886
TF: 1(888)619-9992

healthcraftproducts.com
E: info@healthcraftproducts.com
Youtube Channel