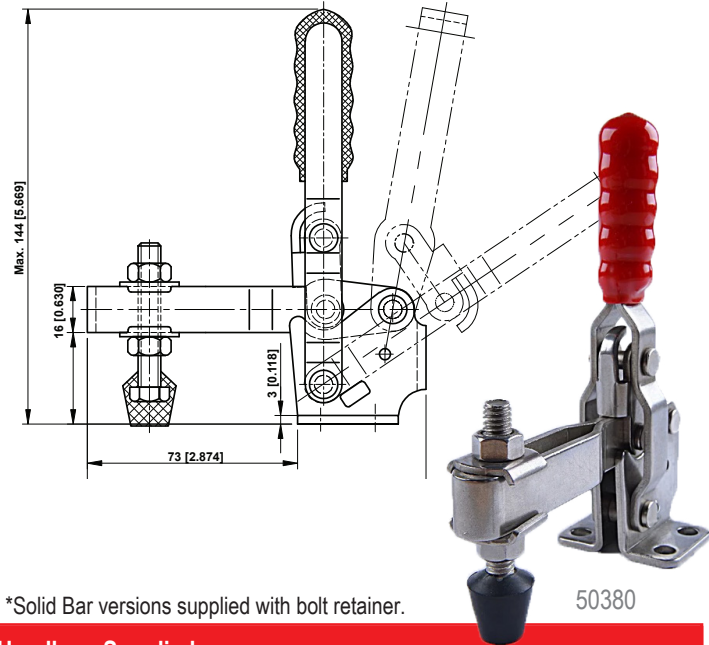
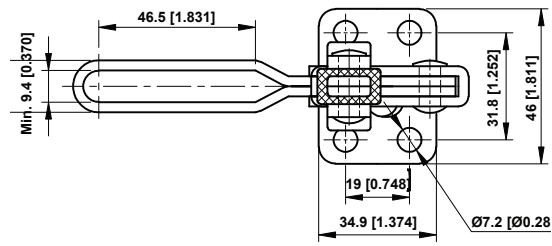
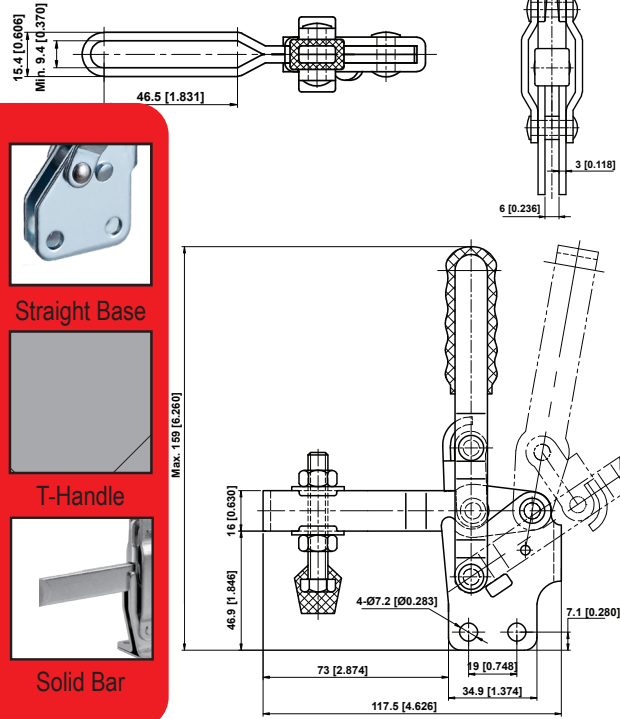


# Vertical Handle Toggle Clamps

## Spindle

70165 5/16-18 x 2-1/2

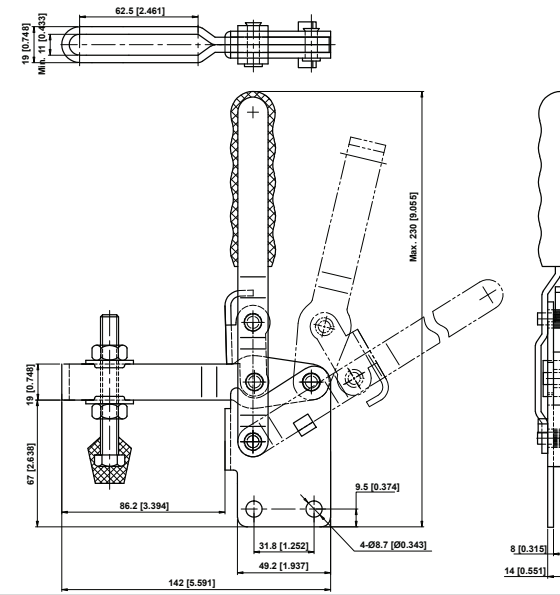


\*Solid Bar versions supplied with bolt retainer.

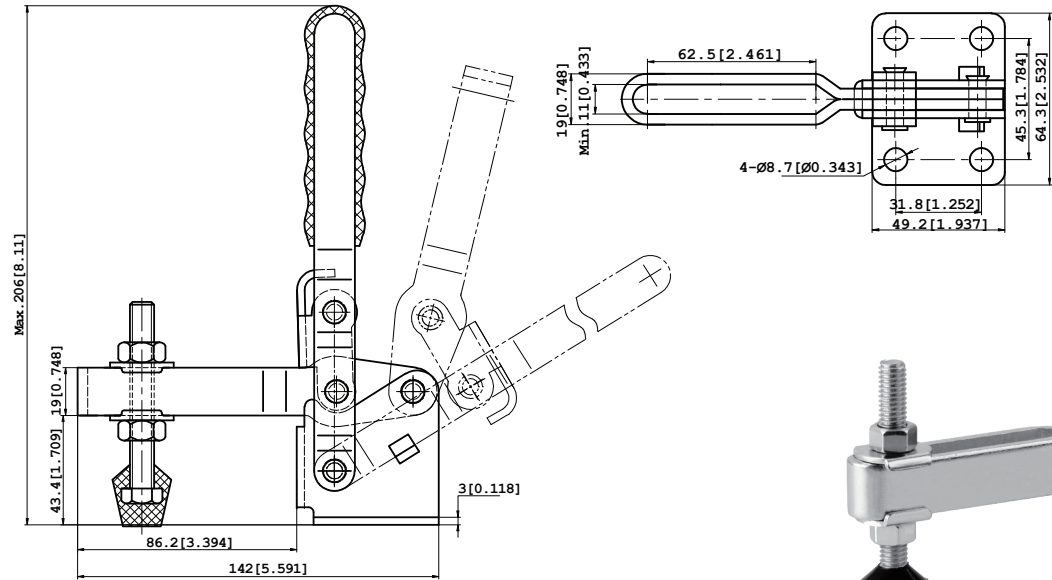
50380

## Spindle

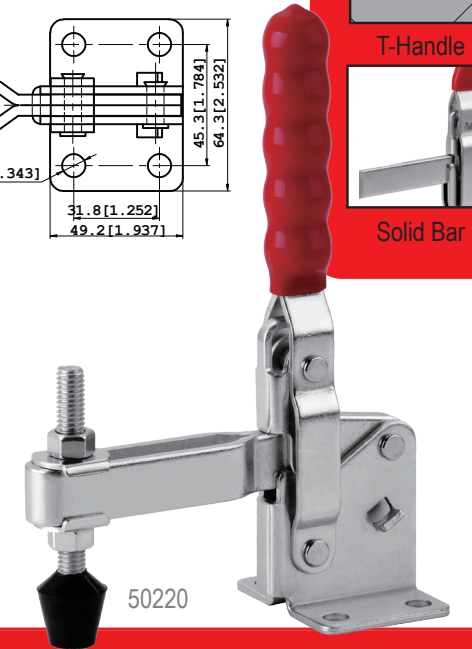
70160 3/8-16 x 3-1/2



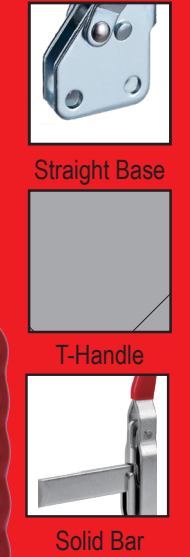
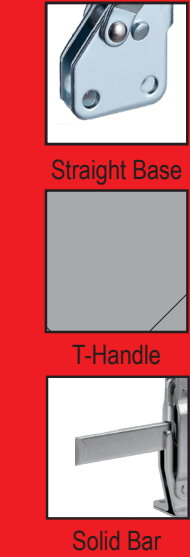
50120



\*Solid Bar versions supplied with bolt retainer.



50220



Model	Holding Capacity N (lbf) Kg (lb.)	Weight Kg (lb.)	Bar Opens	Handle Opens	Supplied Spindle	Description
50360	2270 510.75	0.37 0.82	100°	60°	70165	Flanged Base, Long U-Bar, Straight Handle
50380	2270 510.75	0.355 0.78	100°	60°	70165	Flanged Base, Short U-Bar, Straight Handle
17060 (stainless steel)	2270 510.75	0.355 0.78	100°	60°	70165	Flanged Base, Short U-Bar, Straight Handle
50340	2270 510.75	0.355 0.78	100°	60°	70165	Straight Base, Short U-Bar, Straight Handle
50400	2270 510.75	0.37 0.82	100°	60°	70165	Flanged Base, Short U-Bar, T-Handle
50300	2270 510.75	0.34 0.75	100°	60°	70165	Flanged Base, Short Solid Bar, Straight Handle
50240	2270 510.75	0.355 0.78	100°	60°	70165	Straight Base, Long U-Bar, Straight Handle
50280	2270 510.75	0.355 0.78	100°	60°	70165	Flanged Base, Long Solid Bar, Straight Handle
50320	2270 510.75	0.34 0.75	100°	60°	70165	Straight Base, Short Solid Bar, Straight Handle
50260	2270 510.75	0.355 0.78	100°	60°	70165	Straight Base, Long Solid Bar, Straight Handle

Model	Holding Capacity N (lbf) Kg (lb.)	Weight Kg (lb.)	Bar Opens	Handle Opens	Supplied Spindle	Description
50220	3400 765	0.635 1.40	105°	58°	70160	Flanged Base, U-Bar, Straight Handle
50160	3400 765	0.68 1.5	105°	58°	70160	Flanged Base, Solid Bar, Straight Handle
50200	3400 765	0.68 1.5	105°	58°	70160	Straight Base, Solid Bar, Straight Handle
50120	3400 765	0.635 1.40	105°	58°	70160	Straight Base, U-Bar, Straight Handle
50180	3400 765	0.712 1.57	105°	58°	70160	Flanged Base, U-Bar, T-Handle