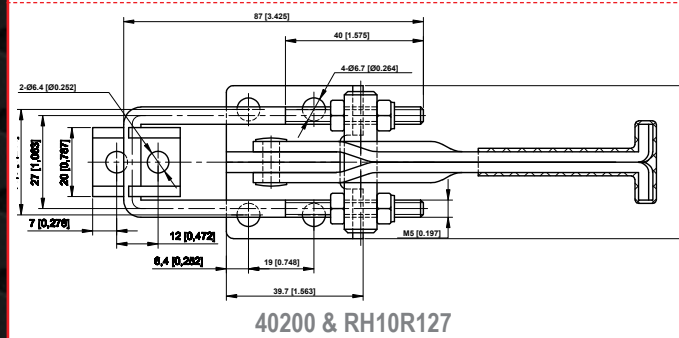
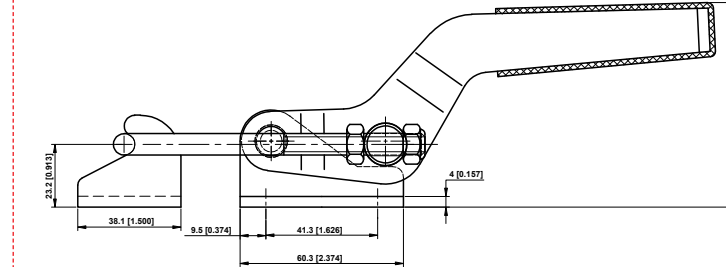
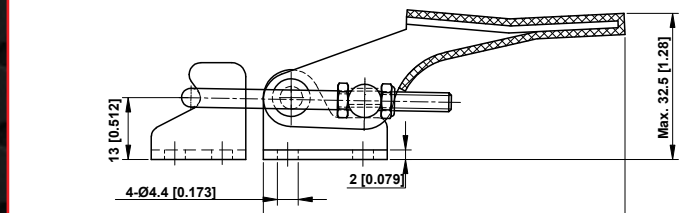
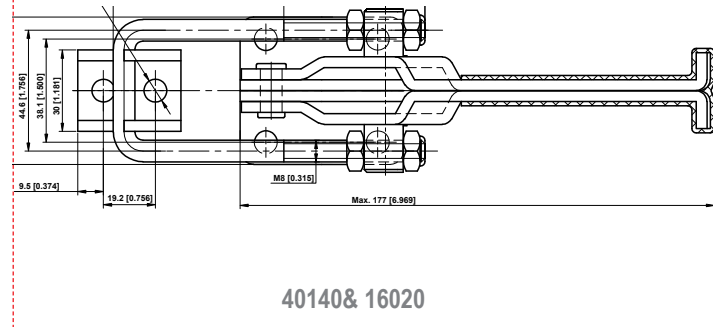
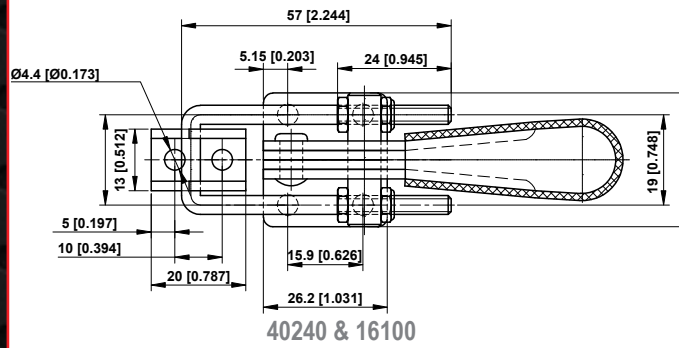
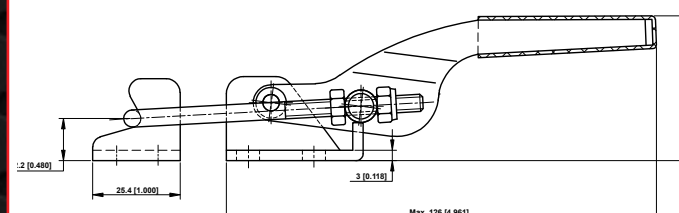


Latch Type Toggle Clamps

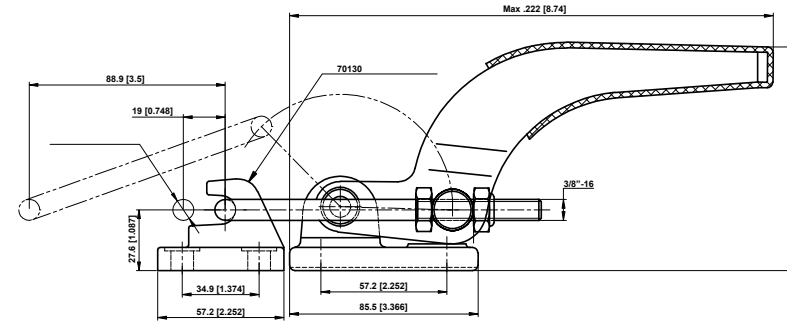
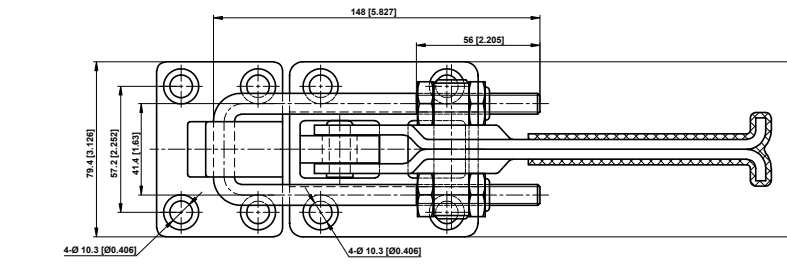
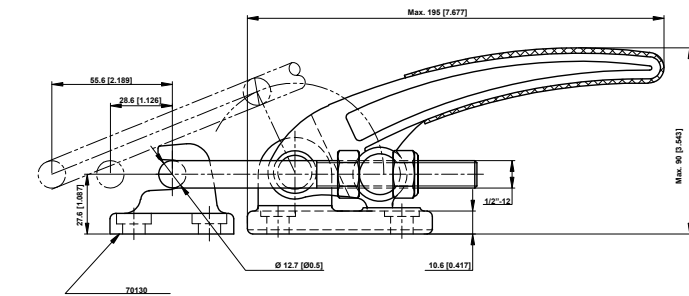
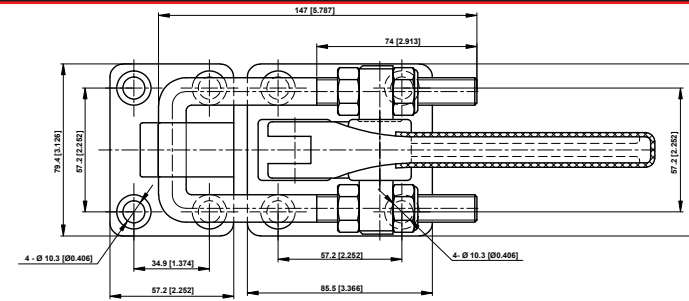
Latch Type Toggle Clamps



Model	Description
70005	M4*57 U-bolt Spindle Accessory
70100	Latch Plate Accessory
70010	M4*57-SS U-bolt Spindle Accessory
70060	M5*87 U-bolt Spindle Accessory
70135	M6*100 U-bolt Spindle Accessory
70065	M5*87-SS U-bolt Spindle Accessory
70140	Latch Plate Accessory
70035	M8*115 U-bolt Spindle Accessory
70115	Latch Plate Accessory
70040	M8*115-SS U-bolt Spindle Accessory

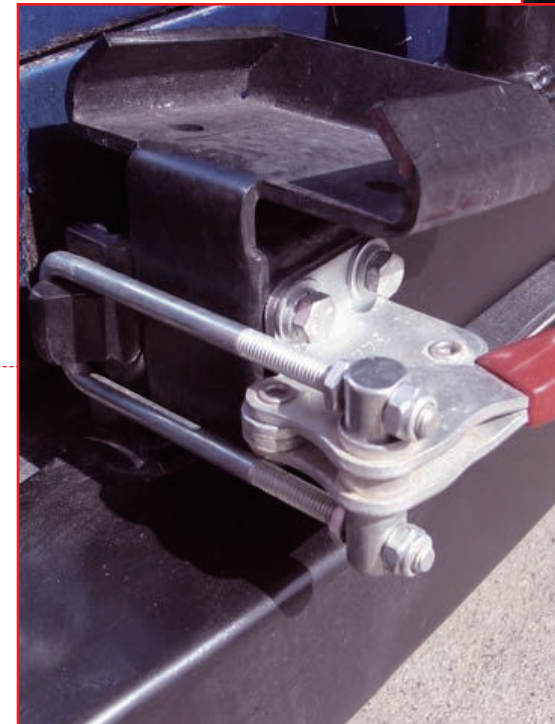


Model	Holding Capacity	Weight	Accessories
	N (lbf)	Kg (lb.)	
40240	1630 366.75	0.07 0.15	70005, 70010
16100 (stainless steel)	1630 366.75	0.07 0.15	70010, 70100
40200	3180 715.5	0.225 0.50	70060, 70135
16080 (stainless steel)	3180 715.5	0.225 0.50	70065, 70140
40140	9000 2025	0.68 1.50	70035, 70115
16020 (stainless steel)	9000 2025	0.68 1.50	70040, 70115



Model	Holding Capacity	Weight	Accessories
	N (lbf)	Kg (lb.)	
40040	18,180 4,090.5	1.26 2.78	70000, 70125, 70130
40000	34,000 7,650	1.59 3.51	70130, 70055

Model	Description
70000	3/8-16*5.82 U-bolt Spindle Accessory
70125	3/8-16*8.66 U-bolt Spindle Accessory
70130	Latch Plate Accessory
70055	1/2-12*5.79 U-bolt Spindle Accessory



Latch Plate Sold Separately