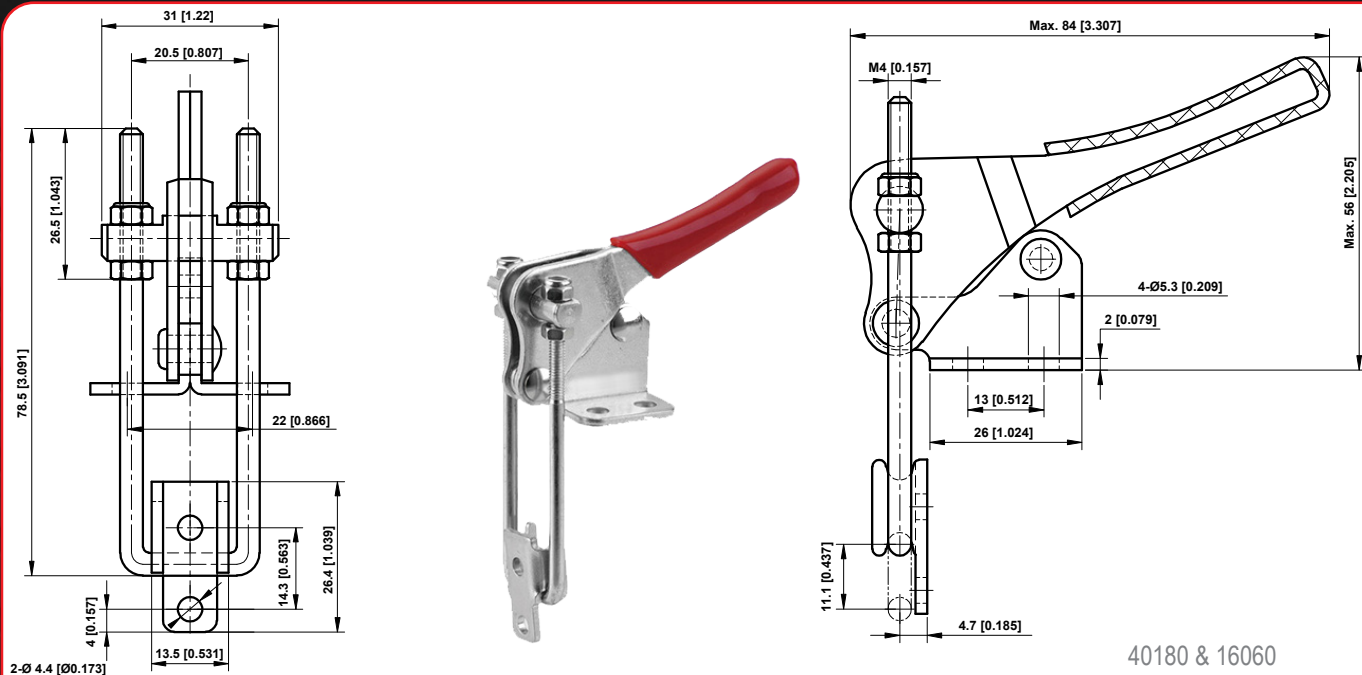
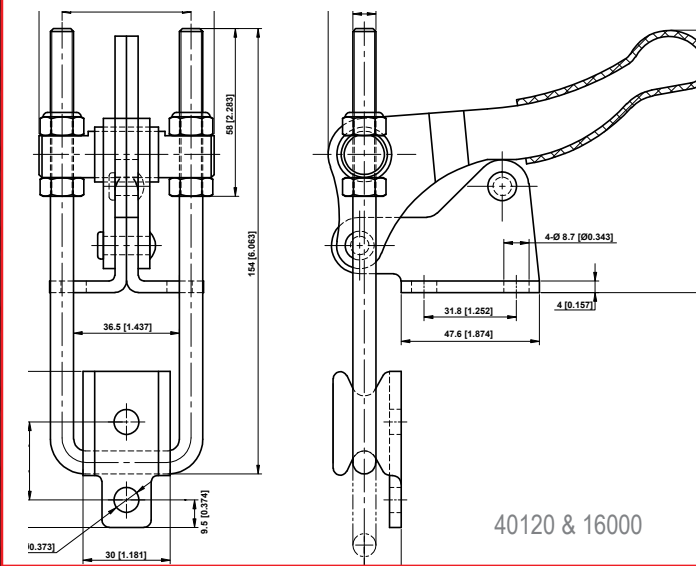


Latch Type Toggle Clamps

Latch Type Toggle Clamps



40180 & 16060

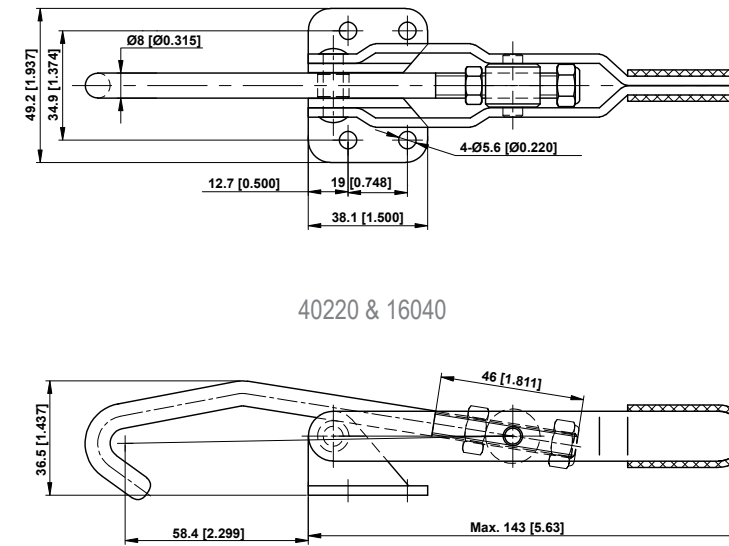


40120 & 16000

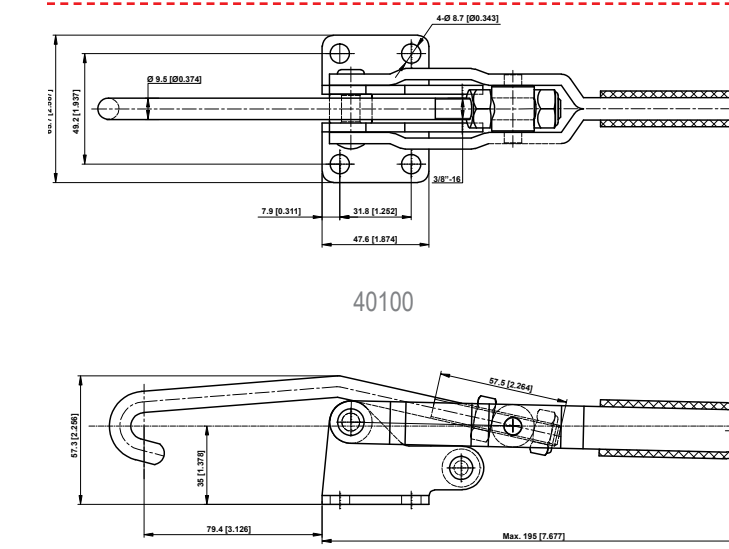
Model	Description
70015	M4*78 U-bolt Spindle Accessory
70105	Latch Plate Accessory
70020	M4*78-SS U-bolt Spindle Accessory
70025	M6*114 U-bolt Spindle Accessory
70110	Latch Plate Accessory
70030	M6*114-SS U-bolt Spindle Accessory
70045	M8*154 U-bolt Spindle Accessory
70120	Latch Plate Accessory



Model	Holding Capacity N (lbf)	Weight Kg (lb.)	Accessories
40180	2,250	0.10	70015, 70105
	506.25	0.22	
16060 (stainless steel)	2,250	0.10	70020, 70105
	506.25	0.22	
40120	4,500	0.29	70025, 70110
	1,012.5	0.64	
16000 (stainless steel)	4,500	0.29	70030, 70100
	1012.5	0.64	
40080	9,000	0.70	70045, 70120
	2,025	1.54	

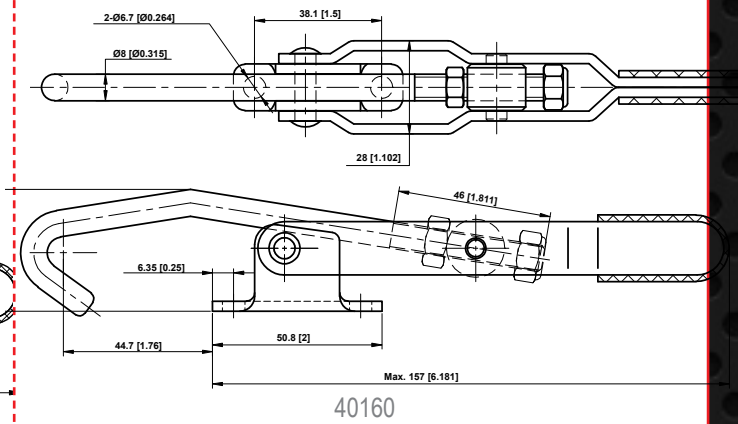


40220 & 16040

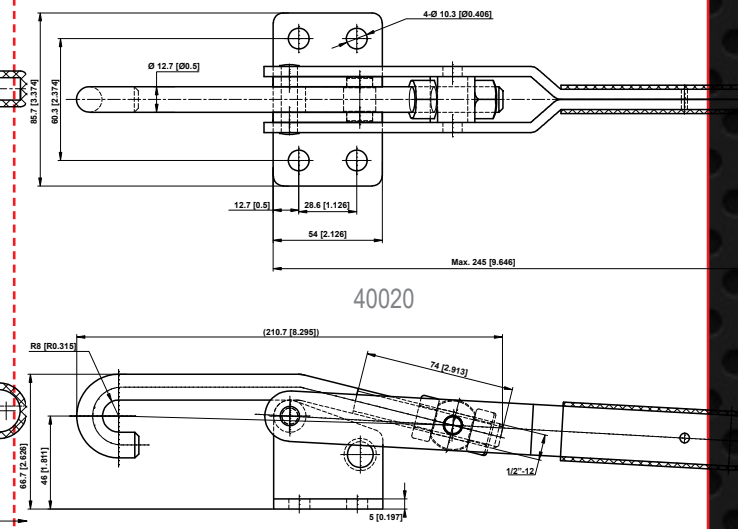


40100

Model	Description
70070	Hook Spindle Accessory
70075	Hook Spindle Accessory
70080	Hook Spindle Accessory
70050	Hook Spindle Accessory
70145	Hook Spindle Accessory



40160



40020

Model	Holding Capacity N (lbf)	Weight Kg (lb.)	Accessories
40220	1700	0.27	70070
	382.5	0.60	
16040 (stainless steel)	1700	0.27	70070
	382.5	0.60	
40160	1700	0.255	70080
	382.5	0.56	
40100	3400	0.69	70050
	765	1.52	
40020	4500	1.13	70145
	1012.5	2.49	