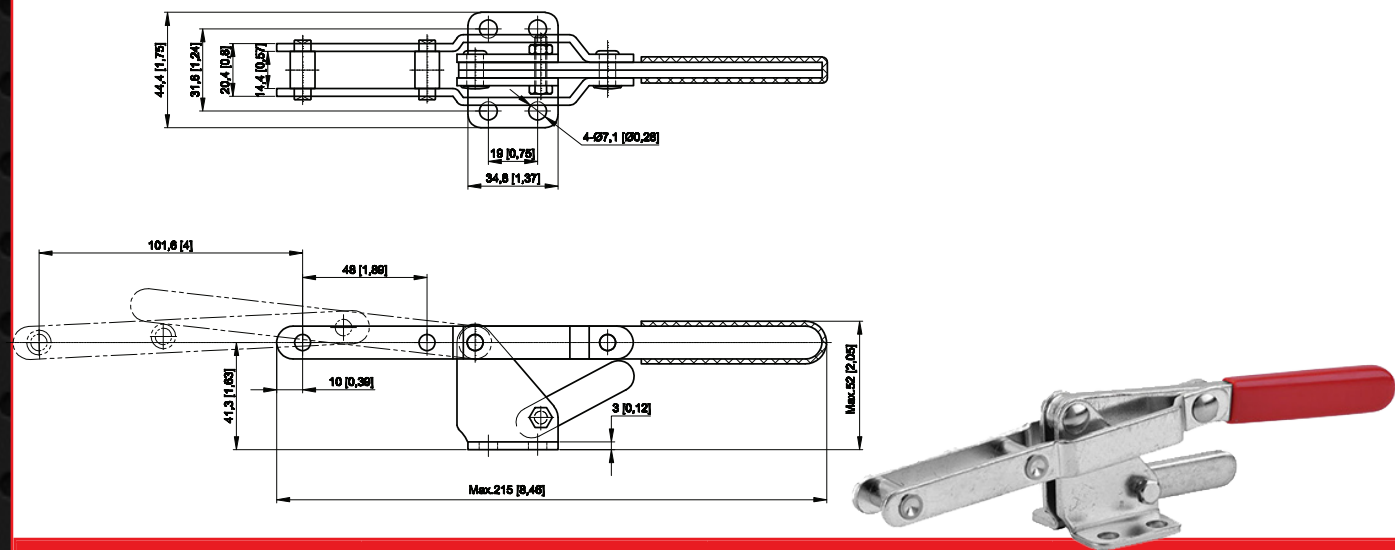


Push/Pull Toggle Clamps

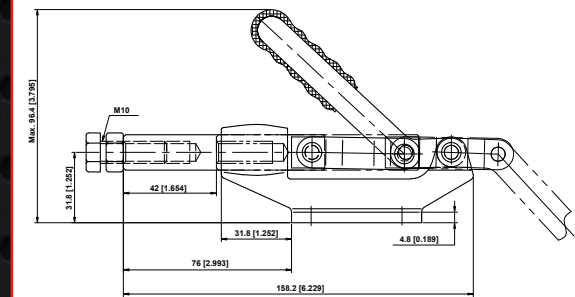
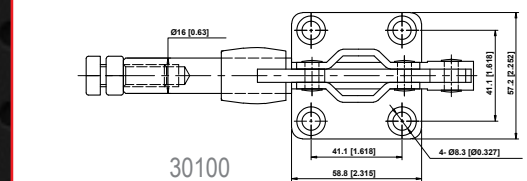
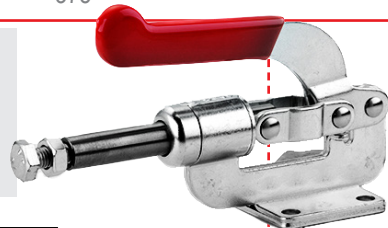
Push/Pull Toggle Clamps



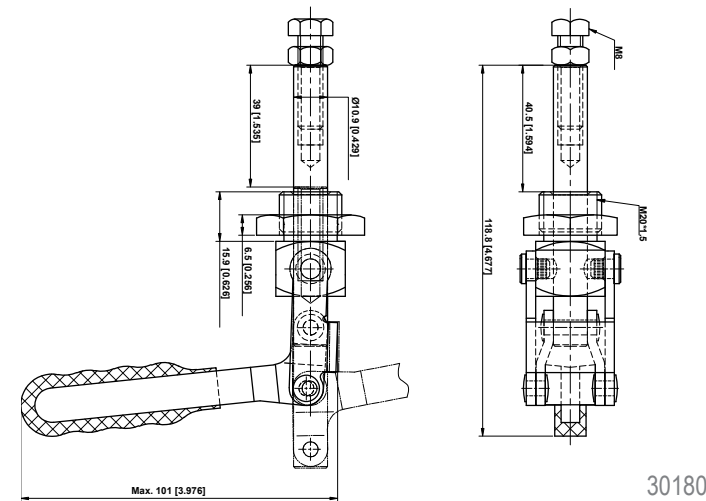
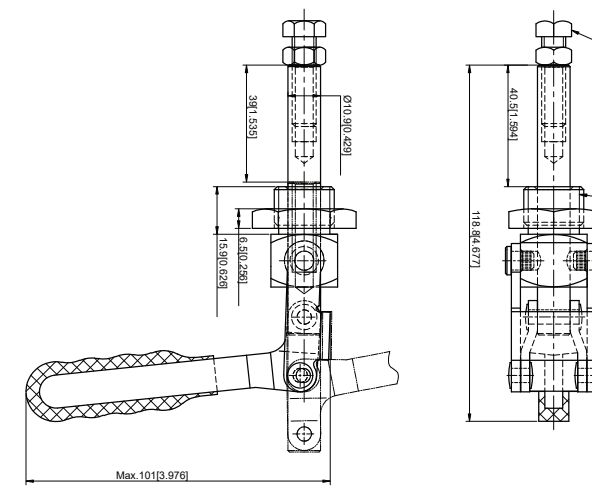
Model	Holding Capacity	Weight	Description
	N (lbf)	Kg (lb)	
40060	170	0.31	Flanged Base, Solid Hook
	375	0.68	

Spindle

70220 M10 X 50P X 1.5

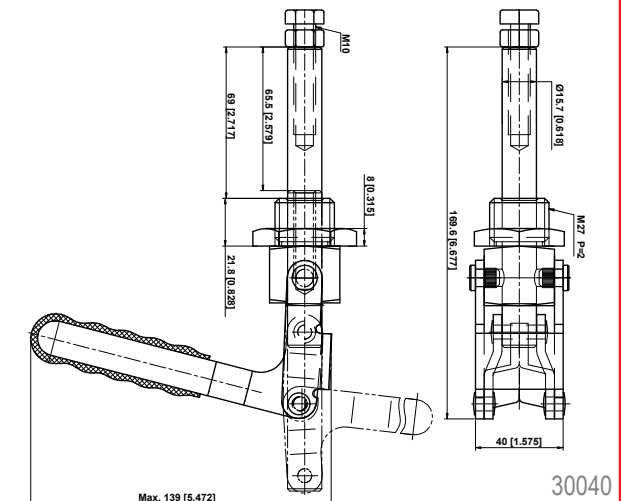
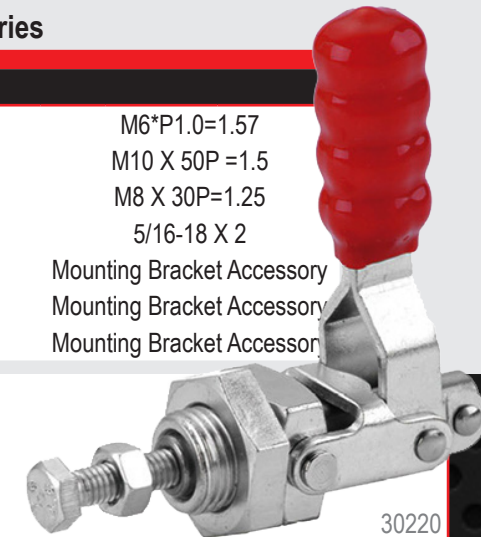


Model	Holding Capacity	Weight	Supplied Spindle	Handle Opens	Plunger Stroke	Description
	N (lbf)	Kg (lb)			mm (inches)	
30080	3640	0.8	70220	180°	40.9	Flanged Base, Imperial Thread
	819	1.76			1.61"	
30100	3860	0.58	70220	180°	42	Flanged Base, Metric Thread
	868.5	1.28			1.65"	



Accessories

- 70195 M6*P1.0=1.57
- 70220 M10 X 50P =1.5
- 70205 M8 X 30P=1.25
- 70230 5/16-18 X 2
- 70085 Mounting Bracket Accessory
- 70090 Mounting Bracket Accessory
- 70095 Mounting Bracket Accessory



Model	Holding Capacity	Weight	Supplied Spindle	Plunger Stroke	Description
	N (lbf)	Kg (lb)		mm (inches)	
30220	900	0.113	70195	20 mm	Imperial Thread
	200	0.25		0.79"	
30160	900	0.113	70195	20 mm	Metric Thread
	200	0.25		0.79"	
15060 (stainless steel)	910	0.113	70195	20 mm	Metric Thread
	204.75	0.25		0.79"	
15040 (stainless steel)	910	0.113	70195	20 mm	Imperial Thread
	204.75	0.25		0.79"	
30180	1360	0.27	70210	39 mm	Metric Thread
	306	0.60		1.54"	
30200	1360	0.27	70230	39 mm	Imperial Thread
	306	0.60		1.54"	
15020 (stainless steel)	1360	0.27	70210	39 mm	Metric Thread
	306	0.60		1.54"	
15000 (stainless steel)	1360	0.27	70230	39 mm	Imperial Thread
	306	0.60		1.54"	
30060	3180	0.77	70305	65.5 mm	Imperial Thread
	715.5	1.70		2.58"	
30040	3180	0.77	70220	65.5 mm	Metric Thread
	715.5	1.70		2.58"	