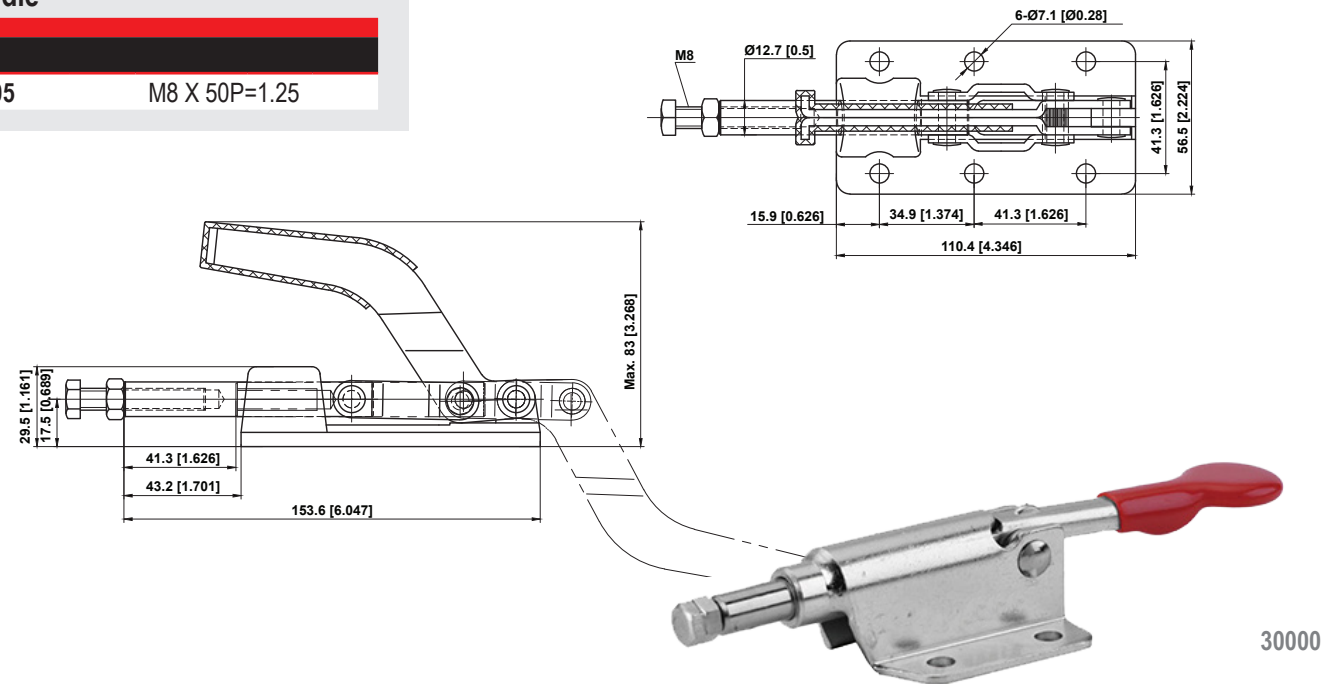


Push/Pull Toggle Clamps

Spindle

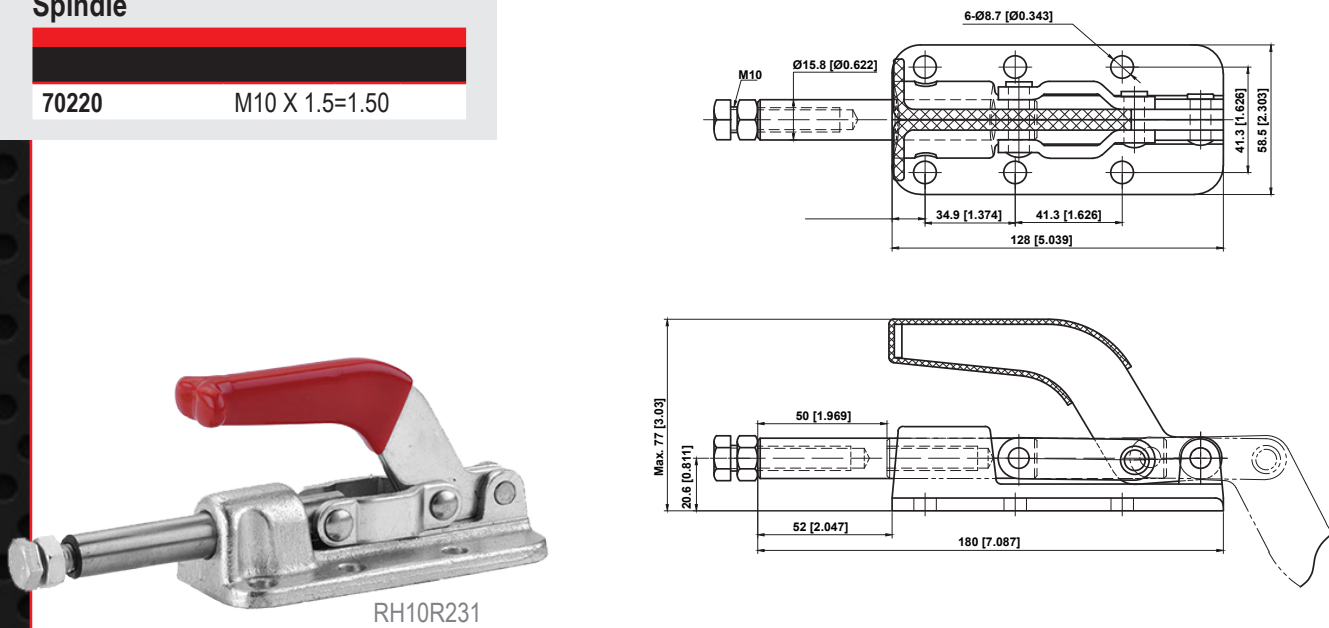
70205 M8 X 50P=1.25



30000

Spindle

70220 M10 X 1.5=1.50



RH10R231

Model	Holding Capacity		Handle Opens	Plunger Stroke	Supplied Spindle
	N (lbf)	Kg (lb)			
30000	3180	0.7	180°	41.3 mm (1.63")	70230
	715.5	1.54			
30020	11360	1.05	180°	50.8 mm (2")	70220
	2556	2.31			



Phone: 855-737-3672

31525 Aurora Rd. • Unit 1B
Solon, Ohio 44139

★ Veteran Owned ★

