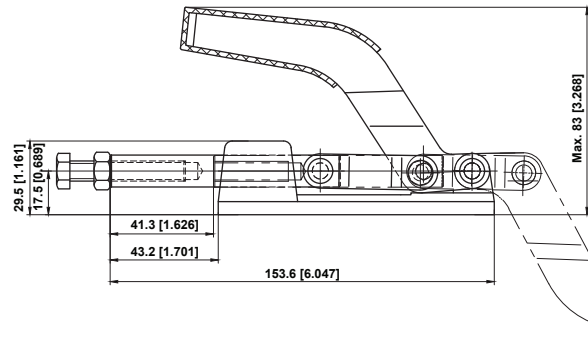
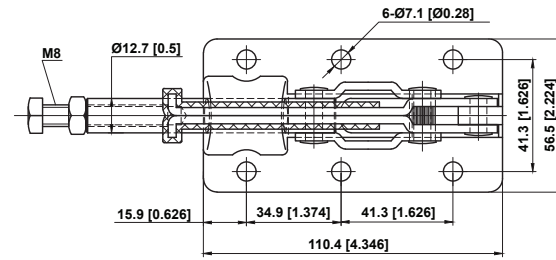


Push/Pull Toggle Clamps

Cross Reference

Spindle

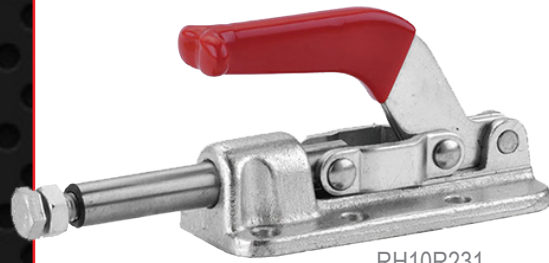
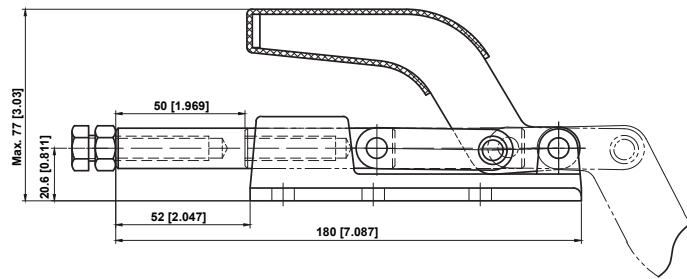
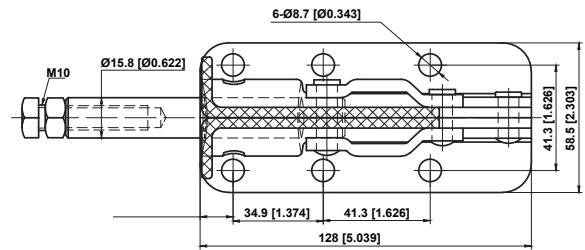
70205 M8 X 50P=1.25



30000

Spindle

70220 M10 X 1.5=1.50



RH10R231

Model	Holding Capacity	Weight	Handle Opens	Plunger Stroke	Supplied Spindle
	N (lb)	Kg (lb)		mm (inches)	
30000	3180	0.7	180°	41.3 mm (1.63")	70230
	715.5	1.54			
30020	11360	1.05	180°	50.8 mm (2")	70220
	2556	2.31			

SHOPFORCE	CLAMP-RITE	DESTACO	CARRLANE	CENTURY	ESSENTRA	GOODHAND	JERGENS	KAKUTA	BRAUER
50540	11011CR	201-U	CL-150-VTC	CT-11011	ETC-11011	GH-101-A	70000	HV 150	V75/2B
50560	11012CR	201-UB	CL-151-VTC	CT-11012	ETC-11012	GH-101-AI	70001	HV 151-B	V75/1B
17040	11011CR-SS	201-USS		CT-11011-SS	ETC-11011-SS	GH-101-ASS	70000-SS		
50020	11671CR	267-U	CL-1050-VTC	CT-11671	ETC-11671	GH-101-J	70016	HV 1050	V550/2B
50000	11674CR	267-S	CL-1050-VTC	CT-11674	ETC-11674	GH-101-JS	70053		
50100	11471CR	247-U	CL-850-VTC	CT-11471	ETC-11471	GH-10247	70014	HV 850	V450/2B
50080	11472CR	247-UB		CT-11472	ETC-11472	GH-10248	70135		
50060	11474CR	247-S	CL-750-VTC	CT-11474	ETC-11474	GH-10249	70015	HV 750	V450/2A
50040	11477CR	247-SB		CT-11477	ETC-11477	GH-10250	70134		
50500	11020CR	202	CL-250-VTC	CT-11020	ETC-11020	GH-12050	70002	HV 250	V150/2C
50520	11021CR	202-U	CL-253-VTC	CT-11021	ETC-11021	GH-12050-U	70003	HV 250-U	V150/2B
17000	11021CR-SS	202-USS		CT-11021-SS	ETC-11021-SS		70003-SS		
50460	11025CR	202-B	CL-251-VTC	CT-11025	ETC-11025	GH-12055	70005	HV 251-B	V150/1C
50440	11022CR	202-UB		CT-11022	ETC-11022		70004	HV 251-UB	V150/1B
50480	11023CR	202-TU		CT-11023	ETC-11023		70131		
50420	11026CR	202-T		CT-11026	ETC-11026	GH-12070	70121		
50380	11071CR	207-U	CL-450-VTC	CT-11071	ETC-11071	GH-12130	70007	HV 450	V250/2B
17060	11071CR-SS	207-USS		CT-11071-SS	ETC-11071-SS	GH-12130-SS	70007-SS		
50400	11073CR	207-TU	CL-452-VTC	CT-11073	ETC-11073	GH-12131	70009	HV 452-T	
50360	11018CR	207-UL		CT-11018	ETC-11018	GH-12132	70006	HV 253-L	
50340	11072CR	207-UB	CL-451-VTC	CT-11072	ETC-11072	GH-12135	70008	HV 451-B	V250/1B
50240	11019CR	207-ULB		CT-11019	ETC-11019	GH-12137	70133		
50300	11074CR	207-S	CL-350-VTC	CT-11074	ETC-11074	GH-12140	70010	HV 350	V250/2A
50280	11078CR	207-L		CT-11078	ETC-11078	GH-12142	70123		
50320	11077CR	207-SB		CT-11077	ETC-11077	GH-12145	70122		
50260	11079CR	207-LB		CT-11079	ETC-11079	GH-12147	70132		
50220	11101CR	210-U	CL-650-VTC	CT-11101	ETC-11101	12265	70011	HV 650	V350/2B
50120	11102CR	210-UB		CT-11102	ETC-11102		70124		
50160	11104CR	210-S	CL-550-VTC	CT-11104	ETC-11104	GH-12275	70012	HV 550	V350/2A
50200	11107CR	210-SB	CL-551-VTC	CT-11107	ETC-11107	12280	70013	HV 551-B	V350/1A
50180	11103CR	210-TU		CT-11103	ETC-11103	GH-12285	70125		
60220	16051CR	305-U	CL-200-VTC	CT-16051	ETC-16051	GH-13005	70026		V70/2BT
18000	16051CR-SS	305-USS		CT-16051-SS	ETC-16051-SS	GH-13005-SS	70026-SS (70130)		
60080	16071CR	307-U	CL-300-VTC	CT-16071	ETC-16071	GH-13007	70027		
17020	16071CR-SS	307-USS							
60020	16091CR	309-U	CL-500-VTC	CT-16091	ETC-16091	GH-13008	70028		
60240	14051CR	205-U	CL-250-HTC	CT-14051	ETC-14051	GH-201	70018		H50/2B
60260	14054CR	205-S	CL-150-HTC	CT-14054	ETC-14054	GH-201-A	70019		H50/2C
60280	14057CR	205-SB		CT-14057	ETC-14057	GH-201-AI	70138		
60160	14151CR	215-U	CL-350-HTC	CT-14151	ETC-14151	GH-201-B	70020		
60200	14152CR	215-UB	CL-351-HTC	CT-14152	ETC-14152	GH-201-BSS	70021		
60180	14154CR	215-S		CT-14154	ETC-14154	GH-201-BSS	70128		
60140	14157CR	215-SB		CT-14157	ETC-14157	GH-201-BSI	70129		
60300	14052CR	205-UB							
19000	14051CR-SS	205-USS		CT-14051-SS	ETC-14051-SS	GH-201-SS	70127		
60000	14351CR	235-U	CL-550-HTC	CT-14351	ETC-14351	GH-20235	70024		H350/2B
60040	14352CR	235-UB		CT-14352	ETC-14352	GH-20236	70025		
60060	14131CR	213-U		CT-14131CR	ETC-14131CR		70137		
50140	11170CR	317-U	CL-475-HTC	CT-11170	ETC-11170	GH-20820	70017		
60100	14251CR	225-U	CL-450-HTC	CT-14251	ETC-14251	GH-225-D	70022		
60120	14252CR	225-UB	CL-451-HTC	CT-14252	ETC-14252	GH-225-DI	70023		
19060	14251CR-SS	225-USS		CT-14251-SS	ETC-14251-SS	GH-225-DSS	70022-SS		
30300	13010CR	601	CL-50-SPC	CT-13010	ETC-13010	GH-301-A	70042		
30280	13010CRM	601-M	CLM-50-SPC	CT-13010M	ETC-13010M	301-AM		SL 10	P50
30240	13050CR	605	CL-150-SPC	CT-13050	ETC-13050	GH-302-F	70046		
30100	13485CRM	608-M	CLM-200-PC	CT-13485M	ETC-13485M	304-EM		SL 210	
30000	13070CR	607		CT-13070	ETC-13070	GH-30607	70051		
30140	13030CR	603	CL-100-PC	CT-13030	ETC-13030	GH-36003	70047		
30120	13030CRM	603-M	CLM-100-PC	CT-13030M	ETC-13030M	36003M		SL 105-2	
30080	13100CR	610	CL-250-SPC	CT-13100	ETC-13100	GH-36010	70050		
30260	13090CR	609		CT-13090	ETC-13090	GH-36092, GH-36020	70049		
30220	13020CR	602	CL-150-TPC	CT-13020	ETC-13020	GH-36202	70043		
30160	13020CRM	602-MM	CLM-150-TPC	CT-13020M	ETC-13020M	36202M		FM 50	P100
15060	13020CRM-SS	602-MSS		CT-13020M-SS	ETC-13020M-SS				
15040	13020CR-SS	602-SS		CT-13020-SS	ETC-13020-SS			70043-SS	
30200	13040CR	604	CL-250-TPC	CT-13040	ETC-13040	GH-36204	70044		
30180	13040CRM	604-MM	CLM-250-TPC	CT-13040M	ETC-13040M	36204M		FM 150	P200
15020	13040CRM-SS	604-MSS		CT-13040M-SS	ETC-13040M-SS				
15000	13040CR-SS	604-SS		CT-13040-SS	ETC-13040-SS			70044-SS	
30060	13240CR	624	CL-350-TPC	CT-13240	ETC-13240	GH-36224	70045		
30040	13240CRM	624-MM	CLM-350-TPC	CT-13240M	ETC-13240M	36224M		FM 250	
30020	13300CRM	630-M	CLM-350-TPC	CT-13300M	ETC-13300M	36330M		SL 350	
40240	12230CR	323	CL-100-PA	CT-12230	ETC-12230	GH-40323	70029	FA 100	LU200H
16100	12230CR-SS	323-SS		CT-12230-SS	ETC-12230-SS	GH-40323-SS	70136		
40180	12240CR	324	CL-110-PA	CT-12240	ETC-12240	GH-40324	70034	FA 130	LU200V
16060	12240CR-SS	324-SS		CT-12240-SS	ETC-12240-SS		70034-SS		
40120	12340CR	334	CL-210-PA	CT-12340	ETC-12340	GH-40334	70035	FA 230	LU400V
16000	12340CR-SS	334-SS		CT-12340-SS	ETC-12340-SS		70035-SS		
40140	12410CR	341	CL-300-PA	CT-12410	ETC-12410	GH-40341	70031	FA 300	
16020	12410CR-SS	341-SS		CT-12410-SS	ETC-12410-SS	GH-40341-SS	70031-SS		
40080	12440CR	344	CL-310-PA	CT-12440	ETC-12440	GH-40344	70036	FA 330	LU700V
40040	12750CR	375	CL-400-PA	CT-12750	ETC-12750	40370	70032	FA 600	
40100	12710CR	371		CT-12710	ETC-12710	GH-40371	70033	FA 270	
40000	12850CR	385	CL-500-PA	CT-12850	ETC-12850	GH-40380	70033	FA 700	
40200	12310CR	331	CL-200-PA	CT-12310	ETC-12310	GH-431	70030	FA 200	LU400H
40060	12010CR	301	CL-150-PA	CT-12010	ETC-12010	GH-43101	70041	PA 150	
16080	12310CR-SS	331-SS		CT-12310-SS	ETC-12310-SS	GH-431-SS	70030-SS		
40020	12810CR	381		CT-12810	ETC-12810	GH-43810	70040	PA 350	
40220	12510CR	351	CL-250-PA	CT-12510	ETC-12510	GH-451	70037	PA 250	LH200
16040	12510CR-SS	351-SS		CT-12510-SS	ETC-12510-SS	GH-451-SS	70037-SS		
40160	12515CR	351-B	CL-251-PA	CT-12515	ETC-12515	GH-452	70038	PA 251-B	

