

Essential Products for Your World



CH Custom
Hoists, Inc.
www.customhoists.com

The Ultimate in Hydraulic Cylinder Performance

Established in 1973, Custom Hoists manufactures hydraulically operated single and double acting multi-stage telescopic cylinders and single stage welded rod cylinders which have been proven and are being used in a wide range of applications.

Gegründet 1973, Custom Hoists produziert hydraulisch arbeitende einfach- und doppeltwirkende, mehrstufige Teleskopzylinder und geschweißte Stangenzylinder, die sich bewährt haben und in einem weiten Anwendungsbereich eingesetzt werden. Unser Ziel ist es, eng mit unseren Kunden zusammenzuarbeiten, um deren komplette Zufriedenstellung sicher zu stellen und ein Custom Hoists Produkt zu haben, das ultimative Ergebnisse liefert und gleichzeitig deren Produktpreis konkurrenzfähig bleiben lässt.

Fundada en 1973, Custom Hoists fabrica cilindros con vástago soldado de tramo único, así como cilindros telescópicos de múltiples tramos con acción única y doble. Todos ellos son operados hidráulicamente con eficacia comprobada y se usan en una amplia gama de aplicaciones. Nuestra meta es trabajar estrechamente con nuestros clientes para garantizarles la completa satisfacción de contar con un producto Custom Hoists que brinda lo mejor en rendimiento mientras mantiene sus equipos a precios competitivos.

Estabelecida em 1973, a Custom Hoists fabrica cilindros telescópicos multi-estágio, hidráulicamente operados, com acionamento único ou duplo, e cilindros de haste soldados de estágio único com atuação comprovada em diversas aplicações diferentes. Nossa meta é trabalhar em estreita cooperação com nossos clientes, para garantir a sua completa satisfação, com produtos Custom Hoists que proporcionam o máximo em termos de desempenho, ao mesmo tempo mantendo o preço competitivo do equipamento.



CH Custom Hoists, Inc.



Phone: 419-368-4721 | 800-837-4668

Fax: 419-368-4209 | 800-224-6478

www.customhoists.com



Table of Contents
Inhaltsverzeichnis
Contenido
Índice

2-3.....	1500 Series
4-5.....	2000 Series
6-7.....	2500 Series
8-9.....	3000 Series
10-11.....	4000 Series
12.....	Double Acting Telescopic Cylinders Doppeltwirkende Teleskopzylinder Cilindros telescópicos de acción doble Cilindros Telescópicos de Ação Dupla
13.....	Double / Single Acting Rod Cylinders Doppelt-/ Einfachwirkende Stangenzyylinder Cilindros con Vástago de Acción Única y Doble Cilindros de Haste de Ação Dupla/Única
14.....	Mounting Brackets Montage-Konsolen Soportes de montaje Braçadeiras de Fixação
15.....	Lifting Brackets Krahnösen Soportes de Elevación Braçadeiras de Elevação
16.....	Cylinder Selection
17.....	Wet Kits Mobilhydraulik Kit's Kits hidráulicos Kits Hidráulicos

1500 SERIES

MODEL NUMBER I.D.
MODELLNUMMER
ID. NÚM. MODELO
NÚMERO DO MODELO

Largest Moving Stage
Größte Ausfahrstufe
Tramo móvil más grande
Maior estágio móvel

185 5- 1518-6233

Number of Moving Stages
Zahl der Ausfahrstufen
Número de tramos móviles
Número de Estágios Móveis

185 5- 1518-6233

Stroke in Millimeters
Hub in mm

Carrera en milímetros
Curso em milímetros

1855- 1518- 6233

Design Sequence Number
Konstruktionsnummer

Número de secuencia del diseño
Número sequencial do projeto

1855- 1518 -6233

Cylinder Size
Zylindergröße

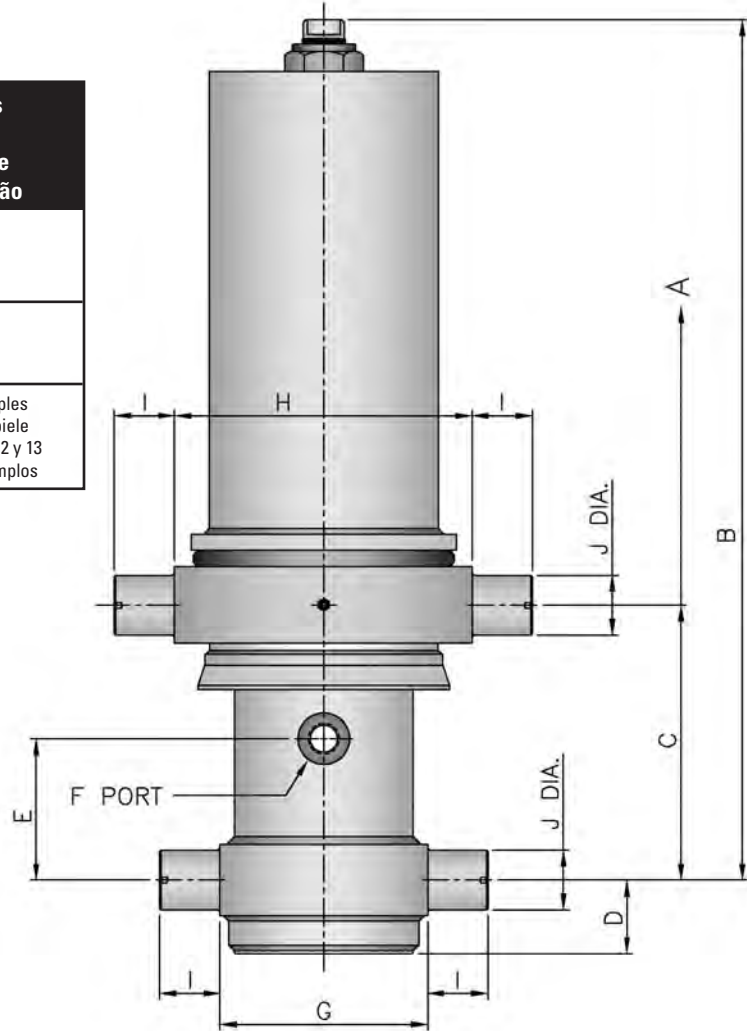
Tamaño del cilindro
Dimensão do cilindro

1855- 1518 -6233

Mounting Brackets
Montagekonsolen
Soportes de montaje
Braçadeiras de fixação



See pages 12 & 13 for examples
Siehe Blatt 12 & 13 als Beispiele
Vea ejemplos en las páginas 12 y 13
Ver páginas 12 e 13 para exemplos



Required cylinder pullout
Geforderter Zylinderauszug
Extracción del cilindro requerida
Exigência de retirada de cilindro

Dimension C does not include required min. 25 mm pullout.
Maß C schließt den geforderten Zylinderauszug nicht ein.
La dimensión C no incluye la extracción mín. de 25 mm. requerida
A dimensão C não inclui a exigência mínima de retirada, 25 mm.

LIFTING CAPACITY – HUBKRAFT – CAPACIDAD DE ELEVACIÓN – CAPACIDADE DE ELEVAÇÃO

Stage Diameter Stufen-Ø Diámetro tramo Diâmetro do estágio	PRESSURE – DRUCK – PRESIÓN – PRESSÃO (bar/psi)						
	100/1450	125/1812	150/2175	175/2538	200/2900	225/3262	240/3480
mm / in.	kg/lbs.						
232 / 9.12	42,991/94,777	53,724/118,438	103,178/227,465	103,178/227,465	103,178/227,465	103,178/227,465	103,178/227,465
207 / 8.12	34,084/75,142	42,226/93,902	51,126/112,713	59,659/131,525	68,169/150,285	76,678/169,044	81,802/180,341
185 / 7.25	27,138/59,829	33,913/74,766	40,708/89,744	47,502/104,722	54,277/119,659	61,505/134,595	65,132/143,590
162 / 6.38	21,016/46,332	26,263/57,899	31,524/69,498	36,785/81,097	42,032/92,664	47,279/104,231	50,438/111,196
140 / 5.50	15,618/34,432	19,517/43,028	23,427/51,648	27,337/60,268	31,236/68,864	35,135/77,460	37,484/82,637
121 / 4.75	11,649/25,682	14,557/32,093	17,474/38,523	20,390/44,952	23,298/51,364	26,206/57,775	27,958/61,636
102 / 4.00	8,261/18,212	10,323/22,759	12,391/27,318	14,459/31,877	16,522/36,424	18,584/40,971	19,826/43,709
81 / 3.19	5,254/11,583	6,565/14,475	7,881/17,374	9,196/20,274	10,508/23,166	11,820/26,058	12,609/27,799

1500 SERIES TECHNICAL DATA – TECHNISCHE DATEN – DATOS TÉCNICOS – DADOS TÉCNICOS

MODEL NUMBER MODELL-NR. NÚMERO MODELO NÚMERO DO MODELO	STROKE HUB CARRERA CURSO	CLOSED EINGEFÄHREN CERRADO FECHADO										OIL CAPACITY HUBVOLUMEN CAPACIDAD ACEITE CAPACIDADE DE ÓLEO	OIL CAPACITY HUBVOLUMEN CAPACIDAD ACEITE CAPACIDADE DE ÓLEO
	A mm/in.	B mm/in.	C mm/in.	D mm/in.	E mm/in.	F BSP	G mm/in.	H mm/in.	I mm/in.	J mm/in.	l/Gal. FILL	l/Gal. EXT.	
1403-1506-4270	4140/163.00	1759/69.25	320/12.62	70/2.75	165/6.48	1	209/8.23	340/13.38	60/2.38	63/2.49	6.2/1.6	49.5/13.1	
1403-1508-4270	4267/168.00	1759/69.25	320/12.62	70/2.75	165/6.48	1	209/8.23	340/13.38	60/2.38	63/2.49	6.2/1.6	49.5/13.1	
1404-1512-4280	4273/168.25	1372/54.00	320/12.62	70/2.75	165/6.48	1	209/8.23	340/13.38	60/2.38	63/2.49	5.8/1.5	42.7/11.3	
1404-1512-4640	4642/182.75	1467/57.75	320/12.62	70/2.75	165/6.48	1	209/8.23	340/13.38	60/2.38	63/2.49	6.3/1.7	46.0/12.2	
1404-1513-4200	4210/165.75	1356/53.38	320/12.62	70/2.75	165/6.48	1	188/7.40	340/13.38	50/2.00	63/2.49	5.7/1.5	42.0/11.1	
1404-1513-5200	5188/204.25	1600/63.00	320/12.62	70/2.75	165/6.48	1	188/7.40	340/13.38	50/2.00	63/2.49	7.1/1.9	51.8/13.7	
1404-1513-5600	5569/219.25	1695/66.75	320/12.62	70/2.75	165/6.48	1	188/7.40	340/13.38	50/2.00	63/2.49	7.6/2.0	55.6/14.7	
1623-1501-4280	4283/168.63	1753/69.00	320/12.62	85/3.35	165/6.48	1	242/9.51	340/13.38	70/2.76	63/2.49	7.3/1.9	67.8/17.9	
1624-1509-4280	4274/168.25	1372/54.00	320/12.62	85/3.35	165/6.48	1	242/9.51	340/13.38	70/2.76	63/2.49	6.8/1.8	59.2/15.6	
1624-1509-4640	4636/182.50	1467/57.75	320/12.62	85/3.35	165/6.48	1	242/9.51	340/13.38	70/2.76	63/2.49	7.3/1.9	64.2/16.9	
1624-1509-5190	5182/204.00	1623/63.88	320/12.62	85/3.35	165/6.48	1	242/9.51	340/13.38	70/2.76	63/2.49	8.1/2.2	71.7/18.9	
1624-1509-5460	5461/215.00	1692/66.63	320/12.62	85/3.35	165/6.48	1	242/9.51	340/13.38	70/2.76	63/2.49	8.6/2.3	75.6/20.0	
1625-1505-5625	5620/221.25	1419/55.88	320/12.62	85/3.35	165/6.48	1	235/9.25	318/12.52	50/1.96	60/2.36	8.2/2.2	67.9/17.9	
1625-1505-5850	5852/230.38	1397/55.00	320/12.62	85/3.35	165/6.48	1	235/9.25	318/12.52	50/1.96	60/2.36	8.5/2.2	70.7/18.7	
1854-1509-5390	5391/212.25	1676/66.00	320/12.62	85/3.35	165/6.48	1	242/9.53	348/13.69	70/2.76	70/2.75	9.77/2.5	99.5/25.3	
1854-1509-5460	5461/215.00	1695/66.75	320/12.62	85/3.35	165/6.48	1	242/9.53	348/13.69	70/2.76	70/2.75	9.9/2.6	100.8/26.6	
1854-1509-5780	5785/227.75	1794/70.63	320/12.62	85/3.35	165/6.48	1	242/9.53	348/13.69	70/2.76	70/2.75	10.5/2.8	107.3/28.4	
1854-1509-6100	6102/240.25	1880/74.00	320/12.62	85/3.35	165/6.48	1	242/9.53	348/13.69	70/2.76	70/2.75	11.1/2.9	113.4/30.0	
1855-1509-6190	6191/243.75	1880/74.00	320/12.62	85/3.35	165/6.48	1	242/9.53	348/13.69	70/2.76	70/2.75	11.2/3.0	115.0/30.4	
1855-1511-5780	5779/227.50	1463/57.63	320/12.62	85/3.35	165/6.48	1	242/9.53	348/13.69	70/2.76	70/2.75	9.8/2.6	94.6/25.0	
1855-1511-6190	6191/243.75	1572/61.88	320/12.62	85/3.35	165/6.48	1	242/9.53	348/13.69	70/2.76	70/2.75	10.5/2.8	101.3/26.8	
1855-1518-5733	5731/225.62	1480/58.25	320/12.62	85/3.35	165/6.48	1	242/9.53	348/13.69	70/2.76	63/2.48	9.7/2.6	93.9/24.8	
1855-1518-7233	7223/284.38	1778/70.00	320/12.62	85/3.35	165/6.48	1	242/9.53	348/13.69	70/2.76	63/2.48	12.2/3.3	118.1/31.2	
1855-1518-9000	9001/354.38	2159/85.00	343/12.62	85/3.35	165/6.48	1	242/9.53	348/13.69	70/2.76	63/2.48	15.2/4.0	147.5/39.0	
2075-1506-9030	9033/355.62	2175/85.63	467/18.38	85/3.35	165/6.48	1	267/10.51	350/13.78	70/2.76	70/2.75	18.4/4.9	193.7/51.2	
2075-1508-7190	7191/283.12	1778/70.00	343/12.62	85/3.35	165/6.48	1	267/10.51	350/13.78	70/2.76	70/2.75	14.5/3.8	154.2/40.7	

2000 SERIES

MODEL NUMBER I.D.
MODELLNUMMER
ID. NÚM. MODELO
NÚMERO DO MODELO

Largest Moving Stage
Größte Ausfahrstufe
Tramo móvil más grande
Maior estágio móvel

185 5- 2000-6233

Number of Moving Stages
Zahl der Ausfahrstufen
Número de tramos móviles
Número de Estágios Móveis

185 5- 2000-6233

Stroke in Millimeters
Hub in mm
Carrera en milímetros
Curso em milímetros

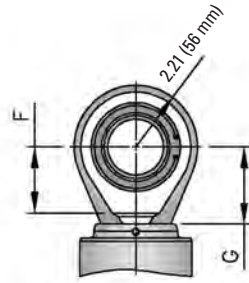
1855- 2000- 6233

Design Sequence Number
Konstruktionsnummer
Número de secuencia del diseño
Número sequencial do projeto

1855- 2000 -6233

Cylinder Size
Zylindergröße
Tamaño del cilindro
Dimensão do cilindro

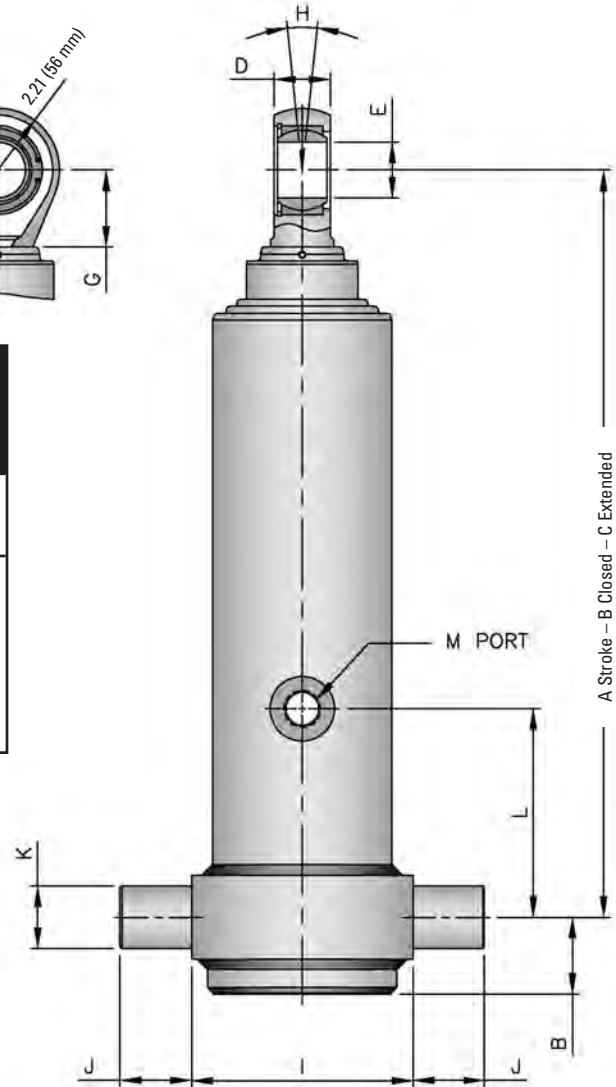
1855- 2000 -6233



Mounting Brackets
Montagekonsolen
Soportes de montaje
Braçadeiras de fixação



See pages 12 & 13 for examples
Siehe Blatt 12 & 13 als Beispiele
Vea ejemplos en las páginas 12 y 13
Ver páginas 12 e 13 para exemplos



Required cylinder pullout
Geforderter Zylinderauszug
Extracción del cilindro requerida
Exigência de retirada de cilindro

Dimension C does not include required min. 25 mm pullout.
Maß C schließt den geforderten Zylinderauszug nicht ein.
La dimensión C no incluye la extracción mín. de 25 mm. requerida
A dimensão C não inclui a exigência mínima de retirada, 25 mm.

LIFTING CAPACITY – HUBKRAFT – CAPACIDAD DE ELEVACIÓN – CAPACIDADE DE ELEVAÇÃO

Stage Diameter Stufen-Ø Diámetro tramo Diâmetro do estágio	PRESSURE – DRUCK – PRESIÓN – PRESSÃO (bar/psi)						
	100/1450	125/1812	150/2175	175/2538	200/2900	225/3262	240/3480
mm / in.	kg/lbs.						
232 / 9.12	42,991/94,777	53,724/118,438	103,178/227,465	103,178/227,465	103,178/227,465	103,178/227,465	103,178/227,465
207 / 8.12	34,084/75,142	42,226/93,902	51,126/112,713	59,659/131,525	68,169/150,285	76,678/169,044	81,802/180,341
185 / 7.25	27,138/59,829	33,913/74,766	40,708/89,744	47,502/104,722	54,277/119,659	61,505/134,595	65,132/143,590
162 / 6.38	21,016/46,332	26,263/57,899	31,524/69,498	36,785/81,097	42,032/92,664	47,279/104,231	50,438/111,196
140 / 5.50	15,618/34,432	19,517/43,028	23,427/51,648	27,337/60,268	31,236/68,864	35,135/77,460	37,484/82,637
121 / 4.75	11,649/25,682	14,557/32,093	17,474/38,523	20,390/44,952	23,298/51,364	26,206/57,775	27,958/61,636
102 / 4.00	8,261/18,212	10,323/22,759	12,391/27,318	14,459/31,877	16,522/36,424	18,584/40,971	19,826/43,709
81 / 3.19	5,254/11,583	6,565/14,475	7,881/17,374	9,196/20,274	10,508/23,166	11,820/26,058	12,609/27,799

2000 SERIES TECHNICAL DATA – TECHNISCHE DATEN – DATOS TÉCNICOS – DADOS TÉCNICOS

MODEL NUMBER MODELL-NR. NÚMERO MODELO NÚMERO DO MODELO	STROKE HUB CARRERA CURSO	CLOSED EINGEFÄHREN CERRADO FECHADO	EXTENDED AUSGEFÄHREN EXTENDIDO ESTENDIDO	D	E	F	G	H	I	L	OIL CAPACITY HUBVOLUMEN CAPACIDAD ACEITE CAPACIDADE DE ÓLEO	OIL CAPACITY HUBVOLUMEN CAPACIDAD ACEITE CAPACIDADE DE ÓLEO
	A	B	C	mm/in.	mm/in.	mm/in.	mm/in.	mm/in.	mm/in.	mm/in.	l/Gal.	l/Gal.
1213-2001-4300	4296/169.12	1737/68.38	6033/237.5	51/2.00	60/2.36	70/2.75	197/7.76	60/2.38	57/2.24	190/7.48	5.2/1.4	35.3/9.3
1403-2001-2750	2746/108.12	1178/46.38	3924/154.5	51/2.00	60/2.36	70/2.75	197/7.76	60/2.38	57/2.24	190/7.48	4.0/1.1	31.9/8.4
1403-2001-3415	3410/134.25	1543/60.75	4953/195	51/2.00	60/2.36	70/2.75	197/7.76	60/2.38	57/2.24	190/7.48	5.0/1.3	39.6/10.5
1403-2007-3830	3829/150.75	1632/64.24	5461/215	51/2.00	60/2.36	70/2.75	197/7.76	60/2.38	57/2.24	190/7.48	5.6/1.5	44.5/11.7
1404-2006-4000	4000/157.50	1356/53.38	5356/211	51/2.00	60/2.36	70/2.75	197/7.76	60/2.38	57/2.24	190/7.48	5.5/1.4	40.0/10.6
1404-2002-4500	4496/177.00	1429/56.25	5925/233	51/2.00	60/2.36	70/2.75	197/7.76	60/2.38	57/2.24	190/7.48	6.6/1.6	44.9/11.9
1404-2002-4700	4699/185.00	1480/58.25	6179/243	51/2.00	60/2.36	70/2.75	197/7.76	60/2.38	57/2.24	190/7.48	6.3/1.7	46.9/12.4
1404-2002-4900	4902/193.00	1527/60.12	6429/253	51/2.00	60/2.36	70/2.75	197/7.76	60/2.38	57/2.24	190/7.48	6.6/1.7	49.0/12.9
1404-2005-4940	4940/194.50	1511/59.50	6451/254	51/2.00	60/2.36	70/2.75	197/7.76	60/2.38	57/2.24	190/7.48	6.7/1.8	49.3/13.0
1404-2002-5100	5105/201.00	1578/62.12	6683/263	51/2.00	60/2.36	70/2.75	197/7.76	60/2.38	57/2.24	190/7.48	6.8/1.8	51.0/13.5
1404-2001-5190	5182/204.00	1584/62.38	6766/266	51/2.00	60/2.36	70/2.75	197/7.76	60/2.38	57/2.24	190/7.48	6.9/1.8	51.7/13.7
1404-2006-5420	5423/213.50	1734/68.25	7157/282	51/2.00	60/2.36	70/2.75	197/7.76	60/2.38	57/2.24	190/7.48	7.4/2.0	54.1/14.3
1623-2001-3720	3720/146.44	1532/60.31	5252/207	51/2.00	60/2.36	70/2.75	197/7.76	70/2.76	63/2.48	190/7.48	6.3/1.7	58.6/15.5
1623-2001-3875	3877/152.62	1584/62.38	5461/215	51/2.00	60/2.36	70/2.75	242/9.53	70/2.76	63/2.48	190/7.48	6.6/1.7	61.1/16.1
1624-2001-3875	3874/152.50	1349/53.12	5223/206	51/2.00	60/2.36	70/2.75	242/9.53	70/2.76	63/2.48	190/7.48	6.1/1.6	53.6/14.2
1624-2001-4595	4597/181.00	1483/58.38	6080/239	51/2.00	60/2.36	70/2.75	242/9.53	70/2.76	63/2.48	190/7.48	7.2/1.9	63.6/16.8
1624-2001-4900	4902/193.00	1521/59.88	6423/253	51/2.00	60/2.36	70/2.75	242/9.53	70/2.76	63/2.48	190/7.48	7.7/2.0	67.8/17.9
1624-2001-5100	5105/201.00	1572/61.88	6677/263	51/2.00	60/2.36	70/2.75	242/9.53	70/2.76	63/2.48	190/7.48	8.0/2.1	70.6/18.7
1624-2001-5145	5144/202.50	1619/63.75	6763/266	51/2.00	60/2.36	70/2.75	242/9.53	70/2.76	63/2.48	190/7.48	8.1/2.1	71.2/18.8
1625-2001-5574	5572/219.38	1473/58.00	7045/277	51/2.00	60/2.36	70/2.75	242/9.53	70/2.76	63/2.48	190/7.48	8.1/2.1	67.3/17.8
1625-2006-5733	5731/225.63	1445/56.88	7176/283	51/2.00	60/2.36	70/2.75	242/9.53	70/2.76	63/2.48	190/7.48	8.3/2.2	69.2/18.3
1625-2002-5850	5852/230.38	1610/63.37	7462/294	51/2.00	60/2.36	70/2.75	242/9.53	70/2.76	63/2.48	190/7.48	8.5/2.2	70.7/18.7
1625-2006-6145	6144/241.88	1527/60.12	7672/302	51/2.00	60/2.36	70/2.75	242/9.53	70/2.76	63/2.48	190/7.48	8.9/2.4	74.2/19.6
1625-2002-6800	6801/267.75	1670/65.75	8471/333	51/2.00	60/2.36	70/2.75	242/9.53	70/2.76	63/2.48	190/7.48	9.9/2.6	82.3/21.7
1625-2002-7050	7049/277.50	1724/67.88	8773/345	51/2.00	60/2.36	70/2.75	242/9.53	70/2.76	63/2.48	190/7.48	10.2/2.7	85.2/22.4
1625-2002-8050	8049/316.88	1975/77.75	10024/395	51/2.00	60/2.36	70/2.75	242/9.53	70/2.76	63/2.48	190/7.48	11.7/3.1	97.3/25.7
1855-2001-5345	5347/210.50	1375/54.12	6722/265	51/2.00	60/2.36	70/2.75	242/9.53	70/2.76	63/2.48	190/7.48	9.0/2.4	87.6/23.2
1855-2001-5536	5556/218.75	1451/57.12	7007/276	51/2.00	60/2.36	70/2.75	242/9.53	70/2.76	63/2.48	190/7.48	9.4/2.5	90.7/24.0
1855-2001-5705	5705/224.62	1549/61.00	7254/286	51/2.00	60/2.36	70/2.75	242/9.53	70/2.76	63/2.48	190/7.48	9.6/2.5	93.1/24.6
1855-2009-5733	5731/225.62	1448/57.00	7179/283	51/2.00	60/2.36	70/2.75	242/9.53	70/2.76	63/2.48	190/7.48	9.7/2.6	93.8/24.8
1855-2002-6145	6147/242.00	1549/61.00	7696/303	51/2.00	60/2.36	70/2.75	242/9.53	70/2.76	63/2.48	190/7.48	10.4/2.7	100.7/26.6
1855-2009-6233	6233/245.38	1537/60.50	7770/306	51/2.00	60/2.36	70/2.75	242/9.53	70/2.76	63/2.48	190/7.48	10.5/2.8	102.1/27.0
1855-2009-7145	7150/281.50	1759/69.25	8909/351	51/2.00	60/2.36	70/2.75	242/9.53	70/2.76	63/2.48	190/7.48	12.1/3.2	117.3/31.0
1855-2003-9000	9001/354.38	2226/84.25	11227/442	51/2.00	60/2.36	70/2.75	242/9.53	70/2.76	63/2.48	190/7.48	15.2/4.0	147.5/39.0
2075-2005-5700	5699/224.38	1470/57.88	7169/282	51/2.00	60/2.36	70/2.75	267/10.51	70/2.76	63/2.48	190/7.48	11.6/3.1	122.1/32.3
2075-2005-5970	5969/235.00	1524/60.00	7493/295	51/2.00	60/2.36	70/2.75	267/10.51	70/2.76	63/2.48	190/7.48	12.2/3.2	127.9/33.8
2075-2005-6180	6182/243.38	1651/61.62	7873/308	51/2.00	60/2.36	70/2.75	267/10.51	70/2.76	63/2.48	190/7.48	12.5/3.3	132.4/35.0
2075-2005-7050	7049/277.50	1740/68.50	8789/346	51/2.00	60/2.36	70/2.75	267/10.51	70/2.76	63/2.48	190/7.48	14.2/3.8	151.1/39.9
2075-2005-7190	7191/283.12	1746/68.75	8937/352	51/2.00	60/2.36	70/2.75	267/10.51	70/2.76	63/2.48	190/7.48	14.5/3.8	154.2/40.7

**MODEL NUMBER I.D.
MODELLNUMMER
ID. NÚM. MODELO
NÚMERO DO MODELO**

Largest Moving Stage
Größte Ausfahrstufe
Tramo móvil más grande
Maior estágio móvel

185 5- 2500-6233

Number of Moving Stages
Zahl der Ausfahrstufen
Número de tramos móviles
Número de Estágios Móveis

185 5- 2500-6233

Stroke in Millimeters
Hub in mm
Carrera en milímetros
Curso em milímetros

1855- 2500- 6233

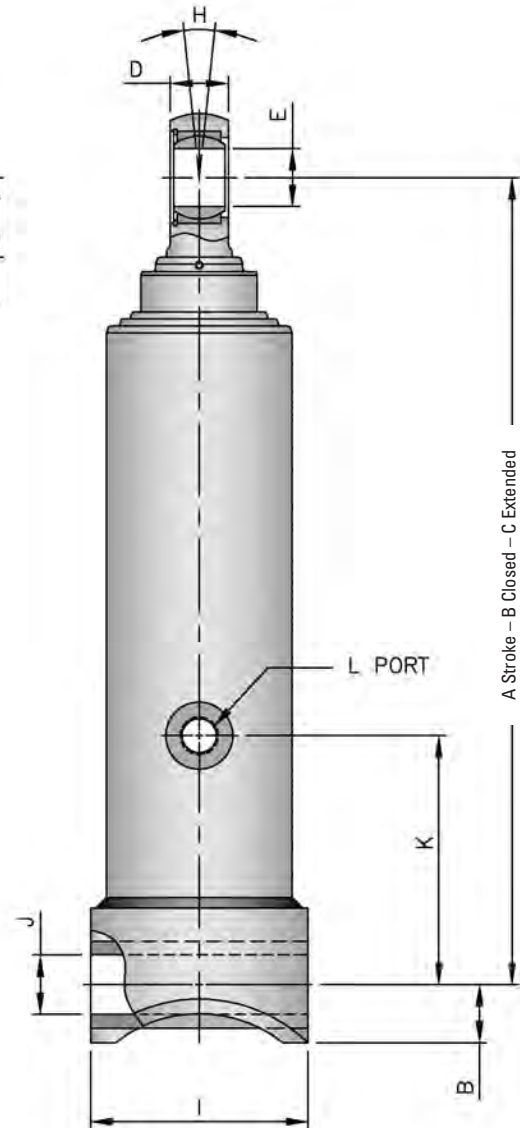
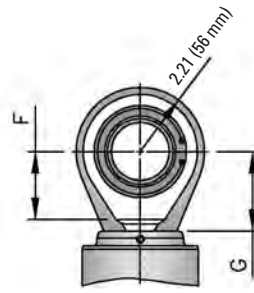
Design Sequence Number
Konstruktionsnummer
Número de secuencia del diseño
Número sequencial do projeto

1855- 2500 -6233

Cylinder Size
Zylindergröße
Tamaño del cilindro
Dimensão do cilindro

1855- 2500 -6233

2500 SERIES



**Required cylinder pullout
Geforderter Zylinderauszug
Extracción del cilindro requerida
Exigência de retirada de cilindro**

Dimension C does not include required min. 25 mm pullout.
Maß C schließt den geforderten Zylinderauszug nicht ein.
La dimensión C no incluye la extracción mín. de 25 mm. requerida
A dimensão C não inclui a exigência mínima de retirada, 25 mm.

LIFTING CAPACITY – HUBKRAFT – CAPACIDAD DE ELEVACIÓN – CAPACIDADE DE ELEVAÇÃO

Stage Diameter Stufen-Ø Diámetro tramo Diâmetro do estágio	PRESSURE – DRUCK – PRESIÓN – PRESSÃO (bar/psi)						
	100/1450	125/1812	150/2175	175/2538	200/2900	225/3262	240/3480
mm / in.	kg/lbs.						
232 / 9.12	42,991/94,777	53,724/118,438	103,178/227,465	103,178/227,465	103,178/227,465	103,178/227,465	103,178/227,465
207 / 8.12	34,084/75,142	42,226/93,902	51,126/112,713	59,659/131,525	68,169/150,285	76,678/169,044	81,802/180,341
185 / 7.25	27,138/59,829	33,913/74,766	40,708/89,744	47,502/104,722	54,277/119,659	61,505/134,595	65,132/143,590
162 / 6.38	21,016/46,332	26,263/57,899	31,524/69,498	36,785/81,097	42,032/92,664	47,279/104,231	50,438/111,196
140 / 5.50	15,618/34,432	19,517/43,028	23,427/51,648	27,337/60,268	31,236/68,864	35,135/77,460	37,484/82,637
121 / 4.75	11,649/25,682	14,557/32,093	17,474/38,523	20,390/44,952	23,298/51,364	26,206/57,775	27,958/61,636
102 / 4.00	8,261/18,212	10,323/22,759	12,391/27,318	14,459/31,877	16,522/36,424	18,584/40,971	19,826/43,709
81 / 3.19	5,254/11,583	6,565/14,475	7,881/17,374	9,196/20,274	10,508/23,166	11,820/26,058	12,609/27,799

2500 SERIES TECHNICAL DATA – TECHNISCHE DATEN – DATOS TÉCNICOS – DADOS TÉCNICOS

MODEL NUMBER MODELL-NR. NÚMERO MODELO NÚMERO DO MODELO	STROKE HUB CARRERA CURSO	CLOSED EINGEFÄHREN CERRADO FECHADO	EXTENDED AUSGEFÄHREN EXTENDIDO ESTENDIDO	D	E	F	G	I	J	K	OIL CAPACITY HUBVOLUMEN CAPACIDAD ACEITE CAPACIDADE DE ÓLEO	OIL CAPACITY HUBVOLUMEN CAPACIDAD ACEITE CAPACIDADE DE ÓLEO
	A	B	C	mm/in.	mm/in.	mm/in.	mm/in.	mm/in.	FILL	EXT.	l/Gal.	l/Gal.
1213-2502-2755	2756/108.50	1283/159.00	4039/159.00	42/1.62	50.8/2.00	56/2.19	70/2.75	170/6.69	52.4/2.063	330/13.00	3.3/0.9	22.7/6.0
1403-2503-3205	3207/126.25	1464/57.63	4671/183.88	42/1.62	50.8/2.00	56/2.19	70/2.75	194/7.62	52.4/2.063	330/13.00	4.7/1.2	37.3/9.8
1403-2504-3205	3178/125.12	1435/56.50	4613/181.62	42/1.62	50.8/2.00	56/2.19	70/2.75	219/8.62	52.4/2.063	375/14.75	4.6/1.2	36.9/9.8
1404-2503-3683	3683/145	1384/54.5	5067/199.5	42/1.62	50.8/2.00	56/2.19	70/2.75	240/9.44	52.4/2.063	330/13.00	4.9/1.3	36.9/9.7
1404-2504-3683	3626/142.75	1283/50.50	4909/193.25	42/1.62	50.8/2.00	56/2.19	70/2.75	219/8.62	52.4/2.063	330/13.00	4.9/1.3	36.2/9.6
1404-2506-3680	3613/142.25	1283/50.5	4896/192.75	42/1.63	50.8/2.00	56/2.20	70/2.76	219.8.63	52.4/2.064	330/13.01	4.8/1.3	36.1/9.5
1624-2511-3680	3613/142.25	1283/50.5	4896/192.75	42/1.63	50.8/2.00	56/2.20	70/2.76	241/9.50	52.4/2.063	170/6.69	5.7/1.5	50.0/13.2
1624-2508-4280	4178/164.50	1435/56.50	5613/221.00	42/1.62	50.8/2.00	56/2.21	70/2.75	219/8.62	52.4/2.063	330/13.00	6.6/1.7	57.8/15.3
1624-2509-4280	4223/166.25	1435/56.50	5658/222.75	42/1.62	50.8/2.00	56/2.19	70/2.75	241/9.50	52.4/2.063	170/6.69	6.6/1.8	58.4/15.4
1854-2506-5180	5182/204.00	1702/67.00	6884/271.00	42/1.62	50.8/2.00	56/2.19	70/2.75	260/10.25	52.4/2.063	280/11.02	9.4/2.5	95.9/25.3
1854-2508-4089	3994/157.25	1394/54.88	5388/212.13	50.8/2.0	50.8/2.01	56/2.20	70/2.76	241/9.50	52.4/2.064	127/5.0	7.2/1.9	66.9/17.7
1855-2504-5355	5334/210.00	1470/57.88	6804/267.88	42/1.62	50.8/2.00	56/2.19	70/2.75	260/10.25	52.4/2.063	290/11.42	9.0/2.4	87.3/23.1
1855-2507-5355	5271/207.50	1448/57.00	6718/264.50	42/1.62	50.8/2.00	56/2.19	70/2.75	260/10.25	52.4/2.063	290/11.41	8.9/2.4	86.5/22.9
1855-2507-5780	5759/226.75	1540/60.62	7299/287.37	42/1.62	50.8/2.00	56/2.19	70/2.75	260/10.25	52.4/2.063	290/11.41	9.7/2.6	94.4/24.9
1855-2509-5355	5280/207.88	1441/56.75	6721/264.63	42/1.62	50.8/2.00	56/2.19	70/2.75	260/10.25	52.4/2.063	170/6.69	8.9/2.4	86.4/22.8
1855-2510-5588	5588/220.00	1521/59.88	7109/279.88	50.8/2.0	50.8/2.00	60/2.38	70/2.75	241/9.50	52.4/2.063	254/10.00	9.4/2.5	91.4/24.2
1855-2510-5969	5969/235.00	1651/65.00	7620/300.00	50.8/2.0	50.8/2.00	60/2.38	70/2.75	241/9.50	52.4/2.063	254/10.00	9.4/2.5	91.4/24.2
1855-2510-6350	6350/250.00	1727/68.00	8077/318.00	50.8/2.0	50.8/2.00	60/2.38	70/2.75	241/9.50	52.4/2.063	254/10.00	10.7/2.8	104.0/27.5
1855-2510-6731	6731/265.00	1800/70.88	8531/335.88	50.8/2.0	50.8/2.00	60/2.38	70/2.75	241/9.50	52.4/2.063	254/10.00	11.4/3.0	110.2/29.1
1855-2510-7112	7033/276.88	1835/72.25	8868/349.12	50.8/2.0	50.8/2.00	60/2.38	70/2.75	241/9.50	52.4/2.063	254/10.00	11.9/3.1	115.2/30.4
2075-2503-6731	6731/265.00	1921/75.62	8652/340.62	50.8/2.0	50.8/2.00	60/2.38	70/2.74	267/10.51	52.4/2.063	167/6.57	13.7/3.6	144.3/38.1
2075-2504-7620	7620/300.00	1984/78.12	9604/378.12	50.8/2.1	50.8/2.00	60/2.38	70/2.74	267/10.51	52.4/2.063	167/6.57	15.5/4.1	163.4/43.2
2075-2503-8636	8636/340.00	2187/86.12	10823/426.12	50.8/2.2	50.8/2.00	60/2.38	70/2.74	267/10.51	52.4/2.063	167/6.57	17.4/4.6	184.0/48.6
2076-2503-5980	5969/235	1422/56.00	7391/291	50.8/2.4	50.8/2.00	56/2.19	70/2.75	260/10.25	52.4/2.063	305/12.00	9.0/2.4	87.5/23.1
2076-2503-6940	6858/270.00	1540/60.62	8398/330.62	50.8/2.5	50.8/2.00	56/2.19	70/2.75	260/10.25	52.4/2.063	305/12.00	13.2/3.5	131.7/34.8

3000 SERIES

MODEL NUMBER I.D.
MODELLNUMMER
ID. NÚM. MODELO
NÚMERO DO MODELO

Largest Moving Stage
Größte Ausfahrstufe
Tramo móvil más grande
Maior estágio móvel

6.5 4-3004-150

Number of Moving Stages
Zahl der Ausfahrstufen
Número de tramos móviles
Número de Estágios Móveis

6.5 4-3004-150

Stroke in Inches
Hub in Zoll
Carrera en pulgadas
Curso em polegadas

6.54-3004-150

Design Sequence Number
Konstruktionsnummer
Número de secuencia del diseño
Número sequencial do projeto

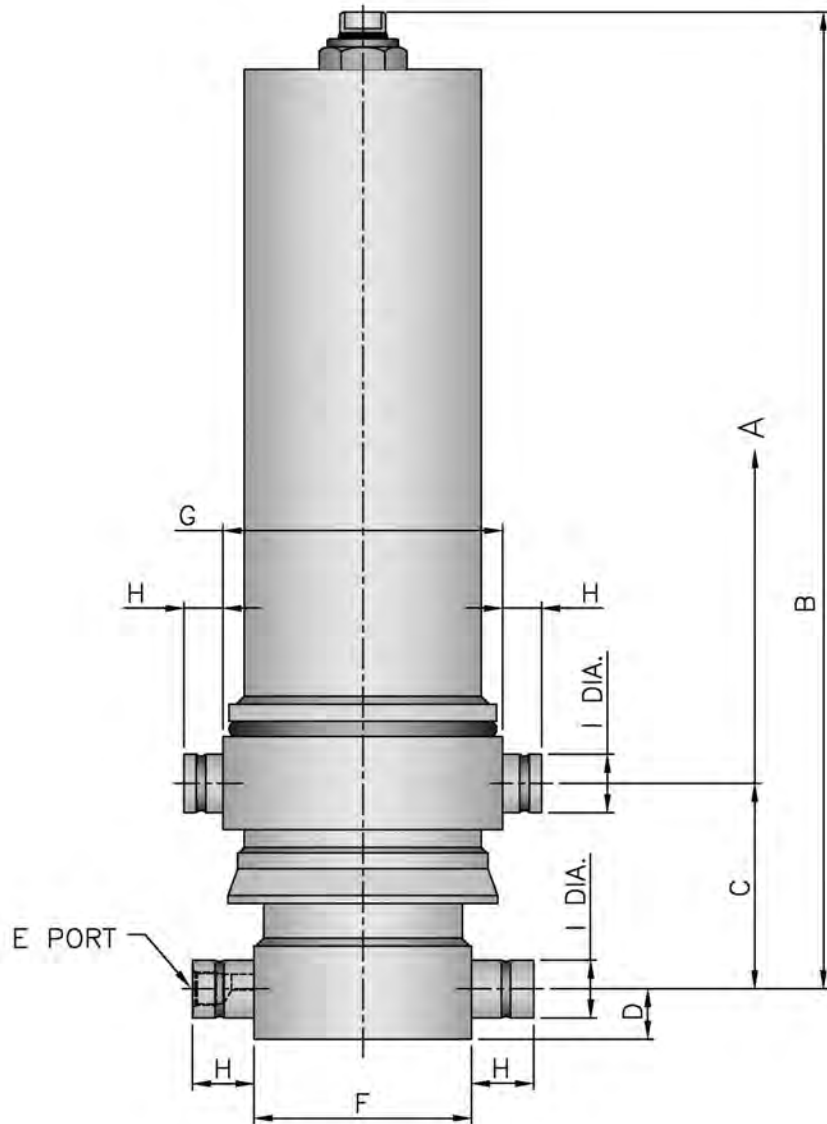
6.54-3004-150

Cylinder Size
Zylindergröße
Tamaño del cilindro
Dimensão do cilindro

6.54-3004-150

Required cylinder pullout
Geforderter Zylinderauszug
Extracción del cilindro requerida
Exigência de retirada de cilindro

Dimension C does not include required min. 25 mm pullout.
Maß C schließt den geforderten Zylinderauszug nicht ein.
La dimensión C no incluye la extracción mín. de 25 mm. requerida
A dimensão C não inclui a exigência mínima de retirada, 25 mm.



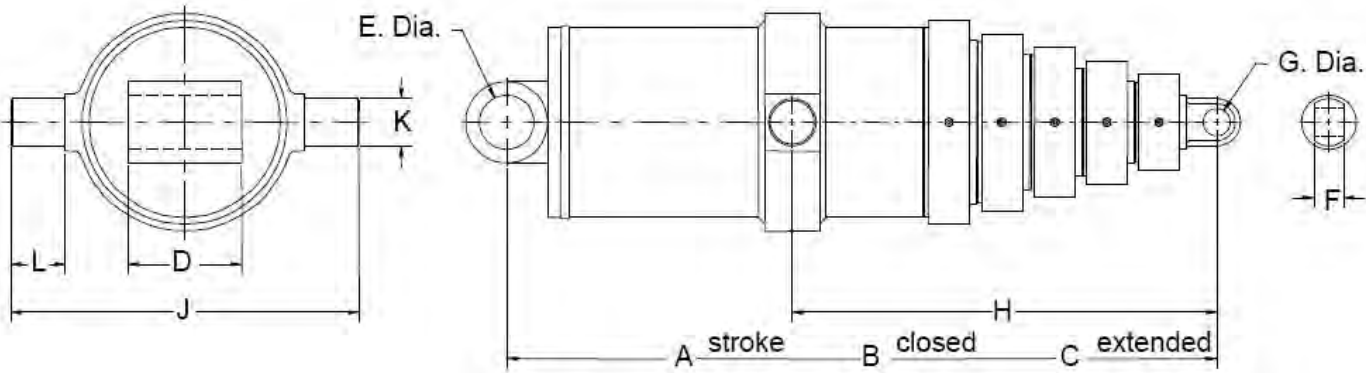
LIFTING CAPACITY – HUBKRAFT – CAPACIDAD DE ELEVACIÓN – CAPACIDADE DE ELEVAÇÃO

Stage Diameter Stufen-Ø Diámetro tramo Diâmetro do estágio	PRESSURE – DRUCK – PRESIÓN – PRESSÃO (bar/psi)			
	100/1450	125/1812	150/2175	172/2500
in./mm	kg/lbs.			
7.25 / 185	27,138/59,829	33,913/74,766	40,708/89,744	46,790/103,153
6.38 / 162	21,016/46,332	26,263/57,899	31,524/69,498	36,234/79,882
5.50 / 140	15,618/34,432	19,517/43,028	23,427/51,648	26,928/59,365
4.75 / 121	11,649/25,682	14,557/32,093	17,474/38,523	20,085/44,279
4.00 / 102	8,261/18,212	10,323/22,759	12,391/27,318	14,243/31,400
3.19 / 81	5,254/11,583	6,565/14,475	7,881/17,374	9,058/19,970

3000 SERIES TECHNICAL DATA – TECHNISCHE DATEN – DATOS TÉCNICOS – DADOS TÉCNICOS

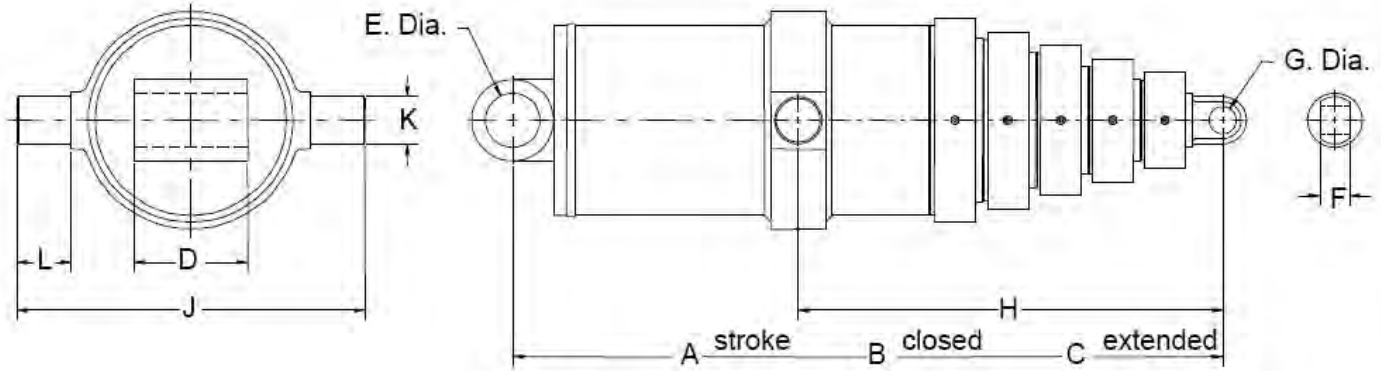
MODEL NUMBER MODELL-NR. NÚMERO MODELO NÚMERO DO MODELO	STROKE HUB CARRERA CURSO	CLOSED EINGEFÄHREN CERRADO FECHADO										OIL CAPACITY HUBVOLUMEN CAPACIDAD ACEITE CAPACIDADE DE ÓLEO	OIL CAPACITY HUBVOLUMEN CAPACIDAD ACEITE CAPACIDADE DE ÓLEO
	A	B	C	D	E	F	G	H	I	J	Gal./l FILL	Gal./l EXT.	
4.43-3003-90	90.38/2295	42.75/1086	5.25/133	1.62/41	1.06/27	5.75/146	8.0/203	2.0/50.8	1.873/47.6	1.25/31.75	0.7/2.7	5.0/18.9	
4.43-3003-100	99.75/2534	45.87/1165	5.25/133	1.62/41	1.06/27	5.75/147	8.0/203	2.0/50.8	1.873/47.6	1.25/31.75	0.8/3.0	5.5/20.8	
5.53-3002-120	120/3048	53.88/1368	6.38/162	1.62/41	1.06/27	7/178	9.0/229	2.0/50.8	1.873/47.6	1.25/31.75	1.2/4.5	9.3/35.2	
5.53-3002-130	130.12/3305	57.26/1454	6.38/162	1.62/41	1.06/27	7/178	9.0/229	2.0/50.8	1.873/47.6	1.25/31.75	1.3/4.9	10.1/38.2	
5.53-3002-140	139.88/3553	60.50/1537	6.38/162	1.62/41	1.06/27	7/178	9.0/229	2.0/50.8	1.873/47.6	1.25/31.75	1.4/5.3	10.9/41.2	
6.54-3004-140	140/3556	50.37/1279	7.62/194	1.88/48	1.312/33	8.0/203	10.19/259	2.0/50.8	2.248.57.1	1.5/38.1	1.4/5.3	12.8/48.4	
6.54-3004-150	150/3810	52.87/1343	7.62/194	1.88/48	1.312/33	8.0/203	10.19/259	2.0/50.8	2.248.57.1	1.5/38.1	1.5/5.7	13.0/49.2	
6.54-3004-160	160/4064	55.37/1406	7.62/194	1.88/48	1.312/33	8.0/203	10.19/259	2.0/50.8	2.248.57.1	1.5/38.1	1.7/6.4	14.9/56.4	
6.54-3004-170	170/4318	57.87/1470	7.62/194	1.88/48	1.312/33	8.0/203	10.19/259	2.0/50.8	2.248.57.1	1.5/38.1	1.8/6.8	15.8/59.8	
6.54-3004-180	180/4572	60.00/1524	7.62/194	1.88/48	1.312/33	8.0/203	10.19/259	2.0/50.8	2.248.57.1	1.5/38.1	1.9/7.2	16.7/63.2	
6.55-3001-205	205.5/5120	60/1524	7.62/194	1.88/48	1.312/33	8.0/203	10.19/259	2.0/50.8	2.248.57.1	1.5/38.1	2.1/7.9	17.9/67.7	
6.55-3001-216	216/5486	62.12/1578	7.62/194	1.88/48	1.312/33	8.0/203	10.19/259	2.0/50.8	2.248.57.1	1.5/38.1	2.2/8.3	18.9/71.5	
7.54-3002-185	185/4699	61.58/1613	9.63/245	1.88/48	1.312/33	9.0/229	12.0/305	2.0/50.8	2.248.57.1	1.5/38.1	2.3/8.7	22.9/86.7	
7.54-3002-195	195/4953	64.12/1676	9.63/245	1.88/48	1.312/33	9.0/229	12.0/305	2.0/50.8	2.248.57.1	1.5/38.1	2.4/9.1	24.2/91.6	

4000 SERIES



MODEL NUMBER MODELL-NR. NÚMERO MODELO NÚMERO DO MODELO	STROKE HUB CARRERA CURSO	CLOSED EINGEFahren CERRADO FECHADO	EXTENDED AUSGEFahren EXTENDIDO ESTENDIDO	BASE MOUNT BASIS MONTAGE MONTAJE BASE SUPPORTO DA BASE		PLUNGER MOUNT KOPFMONTAGE MONTAJE ÉMBOLO SUPPORTO DO PISTÃO		TRUNNION DIMENSIONS BOLZENDURCHMESSER DIMENSIONES MUNHÓN DIMENSÕES DO MUNHÃO				FILL VOLUME FÜLLVOLUMEN VOLUMEN LLENADO VOLUME DE ENCHIMENTO	EXTENDED VOLUME HUBVOLUMEN VOLUMEN EXTENSION VOLUME ESTENDIDO	WEIGHT GEWICHT PESO PESO
	A	B	C	D	E	F	G	H	I	J	K	Gal./l	Gal./l	lbs./kg
	in./mm	in./mm	in./mm	in./mm	in./mm	in./mm	in./mm	in./mm	in./mm	in./mm	in./mm			
53-4592-72	71.9/1827	36.62/930	108.6/2757	7.00/178	2.06/52.3	1.5/38.1	2.06/52.3					1.3/4.9	4.0/15.1	156/71
53-4592-84	84.2/2138	41.12/1044	125.3/3183	7.00/178	2.06/52.3	1.5/38.1	2.06/52.3					1.4/5.3	4.7/17.8	176/80
53-4592-106	106.1/2694	48.00/1219	154.1/3913	7.00/178	2.06/52.3	1.5/38.1	2.06/52.3					1.7/6.4	6.0/22.7	204/93
53-4559-122	122.8/3120	54.00/1372	176.8/4491	7.00/178	2.06/52.3	1.5/38.1	1.78/45.2					2.0/7.6	6.9/26.1	225/102
53-4459-128	125.9/3199	54.50/1384	180.4/4583	7.00/178	2.06/52.3	1.5/38.1	1.78/45.2					2.0/7.6	7.1/26.9	232/105
53-4531-130	126.1/3203	54.56/1386	180.7/4590	7.00/178	2.06/52.3	2.0/50.8	1.78/45.2					2.0/7.6	7.1/26.9	233/106
63-4402-84	84.4/2143	41.00/1041	125.4/3185	7.00/178	2.12/53.8	2.0/50.8	2.06/52.3					1.8/6.8	7.3/27.6	214/97
63-4402-104	103.8/2635	47.62/1210	151.4/3845	7.00/178	2.12/53.8	2.0/50.8	2.06/52.3					2.1/7.9	9.0/34.1	247/112
63-4402-108	108.4/2753	49.00/1245	157.4/3997	7.00/178	2.12/53.8	2.0/50.8	2.06/52.3					2.2/8.3	9.4/35.6	254/115
63-4402-120	120.4/3058	53.00/1346	173.4/4404	7.00/178	2.12/53.8	2.0/50.8	2.06/52.3					2.4/9.1	10.4/39.4	274/124
63-4402-126	126.4/3210	55.00/1397	181.4/4607	7.00/178	2.12/53.8	2.0/50.8	2.06/52.3					2.5/9.5	11.0/41.6	284/129
63-4402-132	132.4/3362	57.00/1448	189.4/4810	7.00/178	2.12/53.8	2.0/50.8	2.06/52.3					2.7/10.2	11.5/43.5	294/133
63-4402-140	140.6/3572	59.75/1518	200.4/5090	7.00/178	2.12/53.8	2.0/50.8	2.06/52.3					2.8/10.6	12.2/46.2	307/139
63-4582-140	139.9/3553	60.00/1524	199.9/5077	N/A/N/A	N/A/N/A	3.97/100.8	1.56/39.6	14.38/365	12.38/314	1.75/44.4	1.69/42.9	3.5/13.2	8.0/30.3	330/150
63-4586-121	121.0/3073	54.00/1372	175.0/4445	8.00/203	2.5/63.5	2.0/50.8	2.25/57.2					3.0/11.4	6.9/26.1	273/124
63-4586-139	130.0/3302	60.00/1524	199.0/5055	8.00/203	2.5/63.5	2.0/50.8	2.25/57.2					3.5/13.2	7.9/29.9	302/137
64-4435-135	134.8/3423	47.13/1197	181.9/4620	8.00/203	1.87/47.5	2.69/68.3	1.56/39.6					2.5/9.5	9.7/36.7	271/123
64-4435-156	155.8/3956	52.38/1330	208.1/5287	8.00/203	1.87/47.5	2.69/68.3	1.56/39.6					2.8/10.6	11.2/42.4	301/137
64-4467-156	155.8/3956	52.63/1337	208.4/5293	7.25/184	2.06/52.3	1.75/44.5	2.03/51.6					2.8/10.6	11.2/42.4	300/136
73-4500-110	108.9/2767	49.88/1267	158.8/4034	8.62/219	2.12/53.8	2.0/50.8	2.06/52.3					2.7/10.2	13.5/51.1	319/145
73-4500-118	117.2/2976	52.12/1324	169.3/4300	8.62/219	2.12/53.8	2.0/50.8	2.06/52.3					2.8/10.6	14.5/54.9	331/150
73-4500-127	126.2/3205	55.12/1400	181.3/4605	8.62/219	2.12/53.8	2.0/50.8	2.06/52.3					3.0/11.4	15.7/59.4	348/158
73-4500-142	141.2/3586	60.12/1527	201.3/5113	8.62/219	2.12/53.8	2.0/50.8	2.06/52.3					3.3/12.5	17.5/66.2	378/171
73-4500-151	150.2/3815	63.12/1603	213.3/5418	8.62/219	2.12/53.8	2.0/50.8	2.06/52.3					3.5/13.2	18.7/70.8	396/180
74-4401-120	119.9/3046	44.75/1137	164.7/4183	8.62/219	2.12/53.8	2.0/50.8	2.06/52.3					2.8/10.6	12.6/47.7	310/141
74-4401-135	134.7/3421	48.25/1226	182.9/4646	8.62/219	2.12/53.8	2.0/50.8	2.06/52.3					3.1/11.7	14.2/53.7	333/151
74-4401-140	139.7/3548	49.50/1257	189.2/4805	8.62/219	2.12/53.8	2.0/50.8	2.06/52.3					3.2/12.1	14.8/56.0	342/155
74-4401-156	155.2/3942	53.38/1356	208.6/5297	8.62/219	2.12/53.8	2.0/50.8	2.06/52.3					3.5/13.2	16.5/62.5	368/167
74-4401-161	160.2/4069	54.62/1387	214.8/5456	8.62/219	2.12/53.8	2.0/50.8	2.06/52.3					3.6/13.6	17.0/64.3	377/171
74-4401-167	166.7/4234	56.25/1429	222.9/5663	8.62/219	2.12/53.8	2.0/50.8	2.06/52.3					3.7/14.0	17.7/67.0	388/176
74-4401-180	179.7/4564	59.50/1511	239.2/6075	8.62/219	2.12/53.8	2.0/50.8	2.06/52.3					4.0/15.1	19.0/71.9	410/186
84-4466-148	145.0/3683	51.50/1308	196.5/4991	9.50/241	2.12/53.8	2.0/50.8	2.06/52.3					3.9/14.8	21.2/80.2	447/203
84-4466-156	153.0/3886	53.50/1359	206.5/5245	9.50/241	2.12/53.8	2.0/50.8	2.06/52.3					4.1/15.5	22.4/84.8	464/210
84-4466-161	157.5/4001	54.88/1394	212.4/5394	9.50/241	2.12/53.8	2.0/50.8	2.06/52.3					4.2/15.9	23.1/87.4	475/215
84-4466-170	167.0/4242	57.00/1448	224.0/5690	9.50/241	2.12/53.8	2.0/50.8	2.06/52.3					4.4/16.7	24.5/92.7	494/224
84-4466-180	176.5/4483	59.50/1511	236.0/5994	9.50/241	2.12/53.8	2.0/50.8	2.06/52.3					4.6/17.4	25.9/98.0	515/234

4000 SERIES



MODEL NUMBER MODELL-NR. NÚMERO MODELO NÚMERO DO MODELO	STROKE HUB CARRERA CURSO	CLOSED EINGEFahren CERRADO FECHADO	EXTENDED AUSGEFahren EXTENDIDO ESTENDIDO	BASE MOUNT BASIS MONTAGE MONTAJE BASE SUPPORTO DA BASE		PLUNGER MOUNT KOPFMONTAGE MONTAJE EMBOLO SUPPORTO DO PISTÃO		TRUNNION DIMENSIONS BOLZENDURCHMESSER DIMENSIONES MUÑOÑ DIMENSÕES DO MUNHAO				FILL VOLUME FÜLLVOLUMEN VOLUMEN LLENADO VOLUME DE ENCHIMENTO	EXTENDED VOLUME HUBVOLUMEN VOLUMEN EXTENSION VOLUME ESTENDIDO	WEIGHT GEWICHT PESO PESO
				D	E	F	G	H	I	J	K			
				in./mm	in./mm	in./mm	in./mm	in./mm	in./mm	in./mm	in./mm			
85-4402-170	168.6/4283	49.88/1267	218.5/5550	9.50/241	2.12/53.8	2.0/50.8	2.06/52.3					4.2/15.9	21.3/80.6	455/206
85-4402-190	188.6/4791	53.88/1369	242.5/6160	9.50/241	2.12/53.8	2.0/50.8	2.06/52.3					4.6/17.4	23.8/90.1	492/223
85-4511-190	188.6/4791	53.88/1369	242.5/6160	9.50/241	2.12/53.8	2.0/50.8	2.06/52.3					4.6/17.4	23.8/90.1	492/223
85-4402-220	218.6/5553	59.88/1521	278.5/7074	9.50/241	2.12/53.8	2.0/50.8	2.06/52.3					5.2/19.7	27.7/104.8	548/249
85-4511-220	218.6/5553	59.88/1521	278.5/7074	9.50/241	2.12/53.8	2.0/50.8	2.06/52.3					5.2/19.7	27.7/104.8	548/249
85-4499-220	219.9/5585	60.38/1534	280.3/7118	N/A/N/A	N/A/N/A	3.0/76.2	2.06/52.3	15.5394	14/356	2.25/57	1.25/38	7.3/27.6	28.2/106.7	566/257
85-4402-235	234.3/5950	65.00/1651	299.3/7601	9.50/241	2.12/53.8	2.0/50.8	2.06/52.3					5.8/22.0	29.7/112.4	604/274
85-4511-235	234.3/5950	65.00/1651	299.3/7601	9.50/241	2.12/53.8	2.0/50.8	2.06/52.3					5.8/22.0	29.7/112.4	604/274
85-4499-235	234.9/5966	65.38/1661	300.3/7626	N/A/N/A	N/A/N/A	3.0/76.2	2.06/52.3	15.5394	14/358	2.25/59	1.25/40	7.8/29.5	30.1/113.9	621/282
85-4402-250	249.3/6331	68.00/1727	317.3/8058	9.50/241	2.12/53.8	2.0/50.8	2.06/52.3					6.1/23.1	31.7/120.0	632/287
85-4511-250	249.3/6331	68.00/1727	317.3/8058	9.50/241	2.12/53.8	2.0/50.8	2.06/52.3					6.1/23.1	31.7/120.0	632/287
85-4499-250	249.9/6347	68.38/1737	318.3/8084	N/A/N/A	N/A/N/A	3.0/76.2	2.06/52.3	15.5394	14/360	2.25/61	1.25/42	8.2/31.0	32.0/121.1	649/294
85-4453-265	263.6/6696	70.88/1800	334.5/8496	9.50/241	2.12/53.8	2.0/50.8	2.06/52.3					5.6/21.2	33.9/128.3	659/299
85-4512-265	263.6/6696	70.88/1800	334.5/8496	9.50/241	2.12/53.8	2.0/50.8	2.06/52.3					5.6/21.2	33.9/128.3	659/299
85-4499-265	264.9/6728	74.88/1902	339.8/8630	N/A/N/A	N/A/N/A	3.0/76.2	2.06/52.3	15.5394	14/362	2.25/63	1.25/44	8.7/32.9	33.9/128.3	721/327
85-4466-265	264.3/6712	74.38/1889	338.6/8601	9.50/241	2.12/53.8	2.0/50.8	2.06/52.3					6.8/25.7	33.7/127.6	702/318
85-4510-265	264.3/6712	74.38/1889	338.6/8601	9.50/241	2.12/53.8	2.0/50.8	2.06/52.3					6.8/25.7	33.7/127.6	702/318
85-4499-280	279.9/7109	77.88/1978	357.8/9087	N/A/N/A	N/A/N/A	3.0/76.2	2.06/52.3	15.5394	14/364	2.25/65	1.25/46	9.2/34.8	35.8/135.5	749/340
85-4466-280	279.3/7093	77.50/1969	356.8/9061	9.50/241	2.12/53.8	2.0/50.8	2.06/52.3					7.1/26.9	35.7/135.1	733/332
85-4466-285	284.3/7220	78.50/1994	362.8/9214	9.50/241	2.12/53.8	2.0/50.8	2.06/52.3					7.2/27.3	36.4/137.8	742/337
95-4461-220	219.6/5578	60.88/1546	280.5/7125	10.68/271	2.12/53.8	2.0/50.8	2.06/52.3					6.6/25.0	38.0/143.8	711/323
95-4461-235	232.8/5912	65.00/1651	297.8/7563	10.68/271	2.12/53.8	2.0/50.8	2.06/52.3					7.2/27.3	40.1/151.8	770/349
95-4461-250	249.9/6347	72.62/1845	322.5/8192	10.68/271	2.12/53.8	2.0/50.8	2.06/52.3					8.2/31.0	43.6/165.0	876/397
95-4461-265	264.9/6728	75.62/1921	340.5/8649	10.68/271	2.12/53.8	2.0/50.8	2.06/52.3					8.6/32.6	46.3/175.2	911/413
95-4500-265	264.9/6728	75.62/1921	340.5/8649	10.68/271	2.12/53.8	2.0/50.8	2.06/52.3					8.6/32.6	46.3/175.2	911/413
95-4461-280	279.9/7109	78.62/1997	358.5/9106	10.68/271	2.12/53.8	2.0/50.8	2.06/52.3					8.9/33.7	48.9/185.1	947/430
95-4461-300	299.9/7617	82.62/2099	382.5/9716	10.68/271	2.12/53.8	2.0/50.8	2.06/52.3					9.5/36.0	52.4/198.3	994/451
95-4461-320	319.9/8125	86.62/2200	406.5/10325	10.68/271	2.12/53.8	2.0/50.8	2.06/52.3					10.0/37.9	55.9/211.6	1567/711
95-4461-340	339.9/8633	90.62/2302	430.5/10935	10.68/271	2.12/53.8	2.0/50.8	2.06/52.3					10.5/39.7	59.4/224.8	1677/761

DOUBLE ACTING TELESCOPIC CYLINDERS DOPPELTWIRKENDE TELESKOPZYLINDER CILINDROS TELESCÓPICOS DE ACCIÓN DOBLE CILINDROS TELESCÓPICOS COM AÇÃO DUPLA



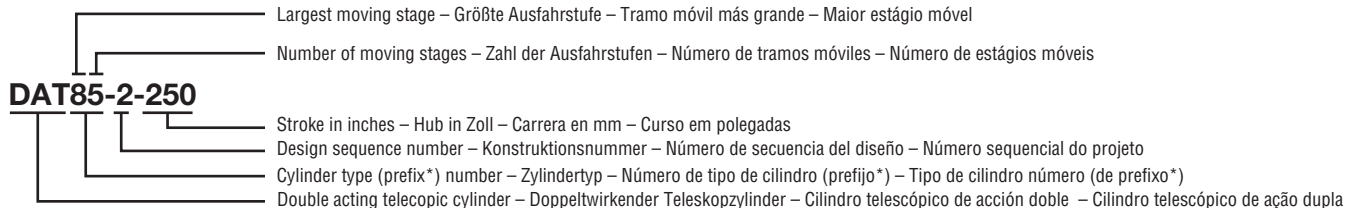
For use in refuse, oil & gas industry and specialized tipping applications.
Consult your factory representative for designs to meet your requirements.
Special plunger sizes are available upon request.

Für den gebrauch in müllfahrzeugen, öl & gas industrie und speziellen kippanwendungen
Konsultieren sie ihre konstruktion, um ihre forderungen einzuhalten
Spezielle stufengrößen sind auf anfrage vorrätig.

Para usarse en la industria de desechos, petróleo y gas, y aplicaciones de inclinación especializadas.
Consulte a su representante de fábrica sobre diseños que cumplan sus requisitos.
Se ofrecen tamaños de émbolo especiales a pedido.

Para uso nos setores de resíduos sólidos, petróleo e gás e outras aplicações basculantes especializadas.
Consulte nosso representante para obter informações sobre os diversos modelos, para atender as suas necessidades.
Pistões com dimensões especiais disponíveis mediante solicitação.

The following is an example of Custom Hoists, Inc. model numbers:
Im Folgenden ist ein Beispiel des Custom Hoists, Inc. Modelles Nr.:
Lo siguiente es un ejemplo de los números de modelo de Custom Hoists, Inc.
A seguir, um exemplo de números de modelos da Custom Hoists, Inc.:



Double-Acting Telescopic Cylinders – Doppeltwirkender Teleskopzylinder – Cilindros telescópicos de acción doble – Cilindros Telescópicos com Ação Dupla

Bore (in./mm) Innen-Ø (in./mm) Diám. interno (pulg/mm) Diâmetro interno (pol/mm)	Area (in. ² /cm ²) Kolbenfläche (in ² -mm ²) Área (pulg ² /cm ²) Área (pol ² /cm ²)	Dia. (in./cm) Durchmesser (in./mm) Diám. (pulg/cm) Diâmetro (pool/cm)	Force (lbs./kg) – Kraft (lbs./kg) – Fuerza (lbs./kg) – Força		
			psi/Bar 1500/103	psi/Bar 1800/124	psi/Bar 2000/138
2-1/2/64	4.90/32	2/5.1	7,350/3,334	8,820/4,000	9,800/4,445
3-1/2/89	9.62/62	3/7.62	14,340/6,505	17,316/7,854	19,240/8,727
4-1/2/114	15.90/103	4/10.2	23,850/10,818	28,620/12,982	31,800/14,424
5-1/2/140	23.75/153	5/12.7	35,625/16,159	42,750/19,391	47,500/21,546
6-1/2/165	33.18/201	6/15.2	49,770/22,575	59,724/27,091	66,360/30,101
7-1/2/191	44.17/285	7/17.8	66,255/30,053	79,506/36,064	88,340/40,071
8-1/2/216	56.74/366	8/20.3	85,110/38,606	102,132/46,327	113,480/51,475
9-3/4/248	74.50/481	9-1/8/23.2	111,170/50,427	134,100/60,828	149,000/67,586
10-1/2/268	86.59/559	9-3/4/24.8	129,885/58,916	155,862/71,950	173,180/78,554

DOUBLE / SINGLE ACTING ROD CYLINDERS DOPPELT-/ EINFACHWIRKENDE STANGENZYLINDER CILINDROS CON VÁSTAGO DE ACCIÓN ÚNICA Y DOBLE CILINDROS DE HASTE DE AÇÃO DUPLA/ÚNICA



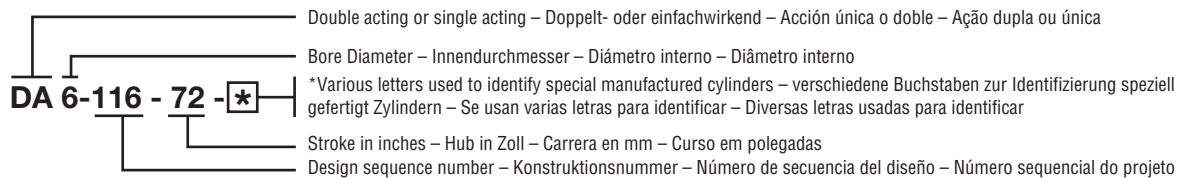
For use in refuse equipment, specialized tipping applications and various industries
Consult your factory representative for designs to meet your requirements.
Special plunger sizes are available upon request.

Für den gebrauch in müllfahrzeugen, speziellen kipp- und verschiedenen industrieanwendungen
Konsultieren sie ihre konstruktion, um ihre forderungen einzuhalten
Spezielle stufengrößen sind auf anfrage vorrätig.

Para usarse en equipos de desechos, aplicaciones de inclinación especializadas y diversas industrias.
Consulte a su representante de fábrica sobre diseños que cumplan sus requisitos.
Se ofrecen tamaños de émbolo especiales a pedido.

Para uso nos setores de resíduos sólidos, petróleo e gás e outras aplicações basculantes especializadas.
Consulte nosso representante para obter informações sobre os diversos modelos, para atender as suas necessidades. Pistões com dimensões especiais disponíveis mediante solicitação

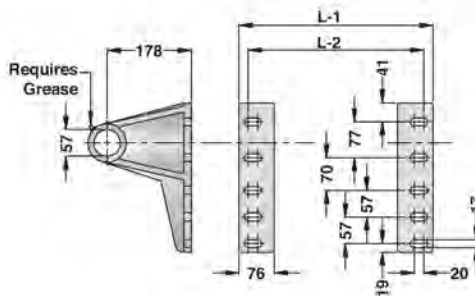
The following is an example of Custom Hoists, Inc. model numbers:
Im Folgenden ist ein Beispiel des Custom Hoists, Inc. Modelles Nr.:
Lo siguiente es un ejemplo de los números de modelo de Custom Hoists, Inc.
A seguir, um exemplo de números de modelos da Custom Hoists, Inc.:



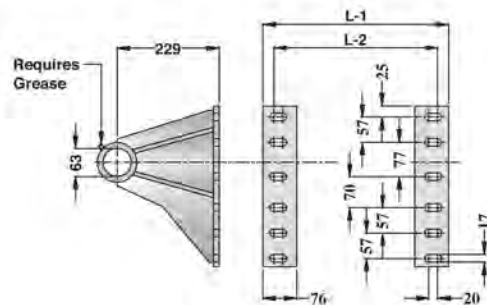
Double-Acting Telescopic Cylinders – Doppeltwirkender Teleskopzylinder – Cilindros telescópicos de acción doble – Cilindros Telescópicos com Ação Dupla

Bore (in./mm) Innen-Ø (in./mm) Diám. interno (pulg/mm) Diámetro interno (pol/mm)	Area (in. ² /cm ²) Kolbenfläche (in ² -mm ²) Área (pulg ² /cm ²) Área (pol ² /cm ²)	Dia. (in./cm) Durchmesser (in./mm) Diám. (pulg/cm) Diámetro (pool/cm)	Force (lbs./kg) – Kraft (lbs./kg) – Fuerza (lbs./kg) – Força		
			psi/Bar 1500/103	psi/Bar 1800/124	psi/Bar 2000/138
2/51	3.14/20	5,672	6,280	7,850	9,420
2-1/2/64	4.90/124	8,820	9,800	12,250	14,700
3/76	7.06/46	12,708	14,120	17,650	21,180
3-1/2/89	9.62/62	17,316	19,240	24,050	28,860
4/102	12.56/81	22,608	25,120	31,400	37,680
4-1/2/114	15.90/103	28,620	31,800	39,750	47,700
5/127	19.63/127	35,334	39,260	49,075	58,890
5-1/2/140	23.75/153	42,750	47,500	59,375	71,250
6/152	28.27/182	50,886	56,540	70,675	84,810
6-1/2/165	33.18/214	59,724	66,360	82,950	99,540
7/178	38.48/248	69,264	76,960	96,200	115,440
7-1/2/191	44.17/285	79,506	88,340	110,425	132,510
8/203	50.26/324	90,468	100,520	125,650	150,780
8-1/4/210	53.50/345	96,300	107,000	133,750	160,500
8-1/2/216	56.74/366	102,132	113,480	141,850	170,220
9/229	63.61/410	114,498	127,220	159,025	190,830
9-1/2/241	71.00/458	127,800	142,000	177,250	213,000
9-3/4/248	74.50/481	134,100	149,000	186,250	223,500
10/254	78.54/507	141,372	157,080	196,350	235,620
10-1/2/268	86.59/559	155,862	173,180	216,475	259,770

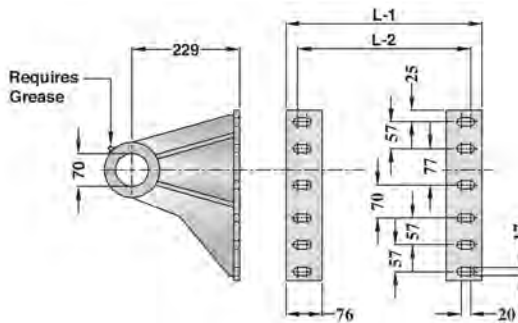
MOUNTING BRACKETS MONTAGE-KONSOLEN SOPORTES DE MONTAJE BRAÇADEIRAS DE FIXAÇÃO



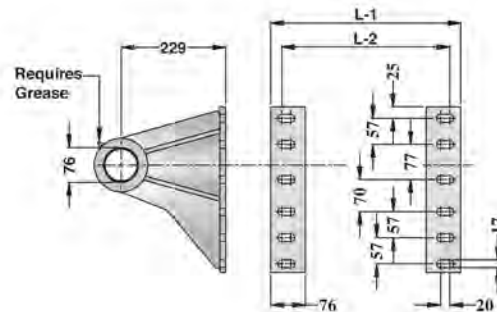
Model	L-1	L-2	Bracket No.	
			Right	Left
140x-	392	349	2MB-26	2MB-25



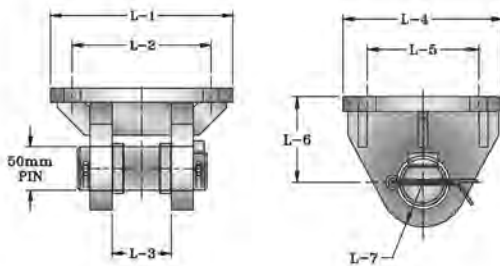
Model	L-1	L-2	Bracket No.	
			Right	Left
162x-	484	441	2MB-50	2MB-51
185x-	491	449	2MB-50	2MB-51



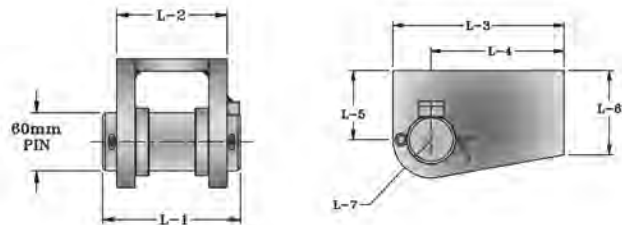
Model	L-1	L-2	Bracket No.	
			Right	Left
185x-	491	449	2MB-53	2MB-54
207x-	494	451	2MB-53	2MB-54



Model	L-1	L-2	Bracket No.	
			Right	Left
232x-	550	507	2MB-47	2MB-48

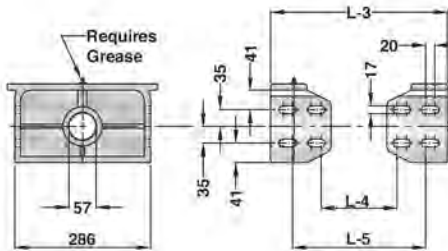


BRACKET	L-1	L-2	L-3	L-4	L-5	L-6	L-7
2MBA-40	210	120	68	171	120	91	48

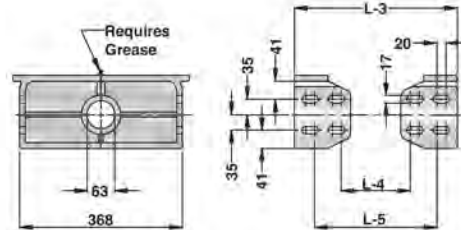


BRACKET	L-1	L-2	L-3	L-4	L-5	L-6	L-7
2MBA-42	143	114	213	165	86	105	48

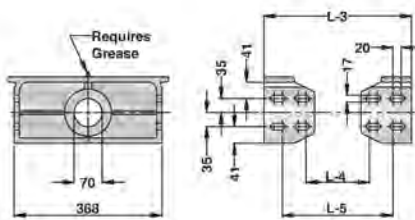
LIFTING BRACKETS KRAHNÖSEN SOPORTES DE ELEVACIÓN BRAÇADEIRAS DE ELEVAÇÃO



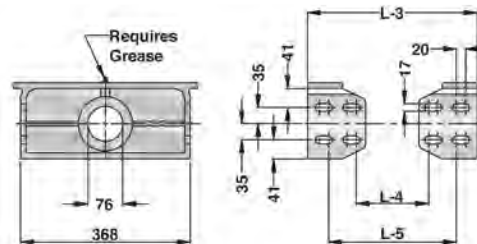
Model	L-3	L-4	L-5	Bracket No.
140x-	369	157	277	2MB-31



Model	L-3	L-4	L-5	Bracket No.
162x-	386	174	294	2MB-49
185x-	386	174	294	2MB-49



Model	L-3	L-4	L-5	Bracket No.
185x-	386	174	294	2MB-52
207x-	411	199	319	2MB-52



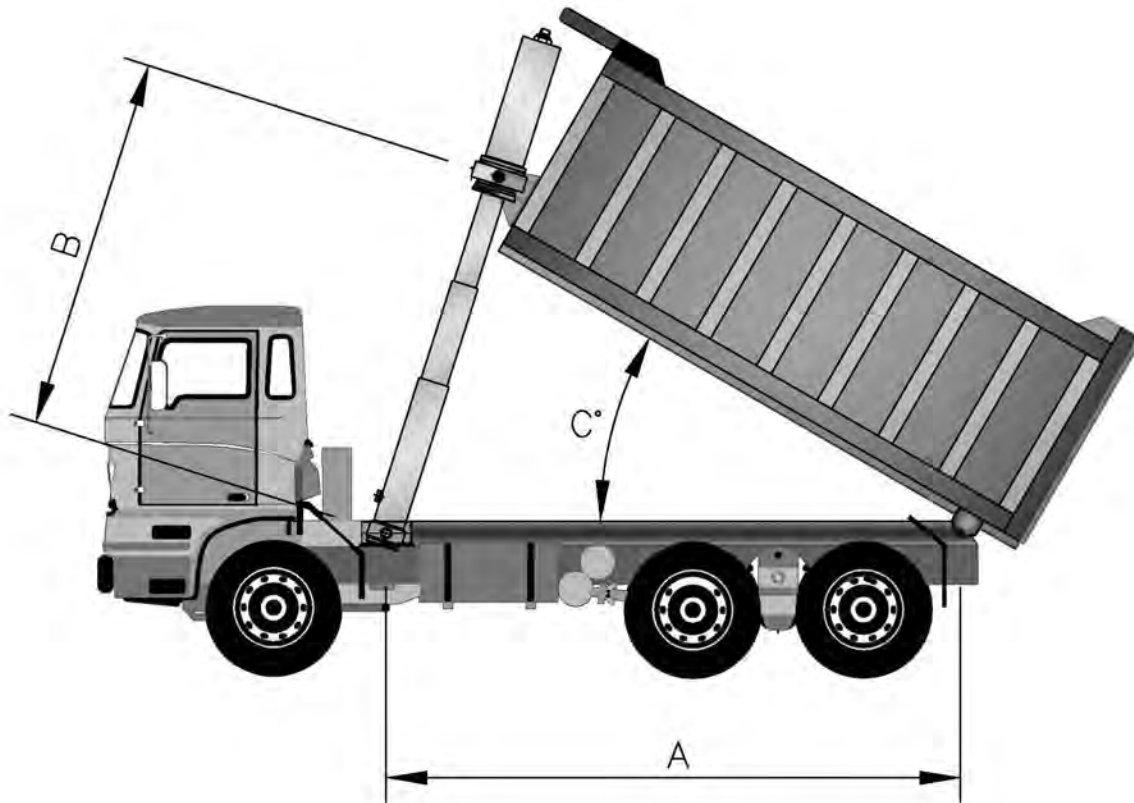
Model	L-3	L-4	L-5	Bracket No.
232x-	448	236	356	2MB-46

Mounting Bracket Bolt and Lock Nut Specifications

Size	DIN		Quality	Torque
	Bolt	Lock Nut		
M16	931	985	8.8	210 Nm

PART NO.	BOLT KIT NO.		
	1-BK-1	1-BK-2	1-BK-3
BOLT – 1SC-16-11 (60 mm)	12 pcs.		
BOLT – 1SC-16-12 (70 mm)		12 pcs.	
BOLT – 1SC-16-10 (50 mm)			16 pcs.
LOCK NUT – 1NT-66	12 pcs.	12 pcs.	16 pcs.
WASHER – 1LW-14-1	12 pcs.	12 pcs.	16 pcs.

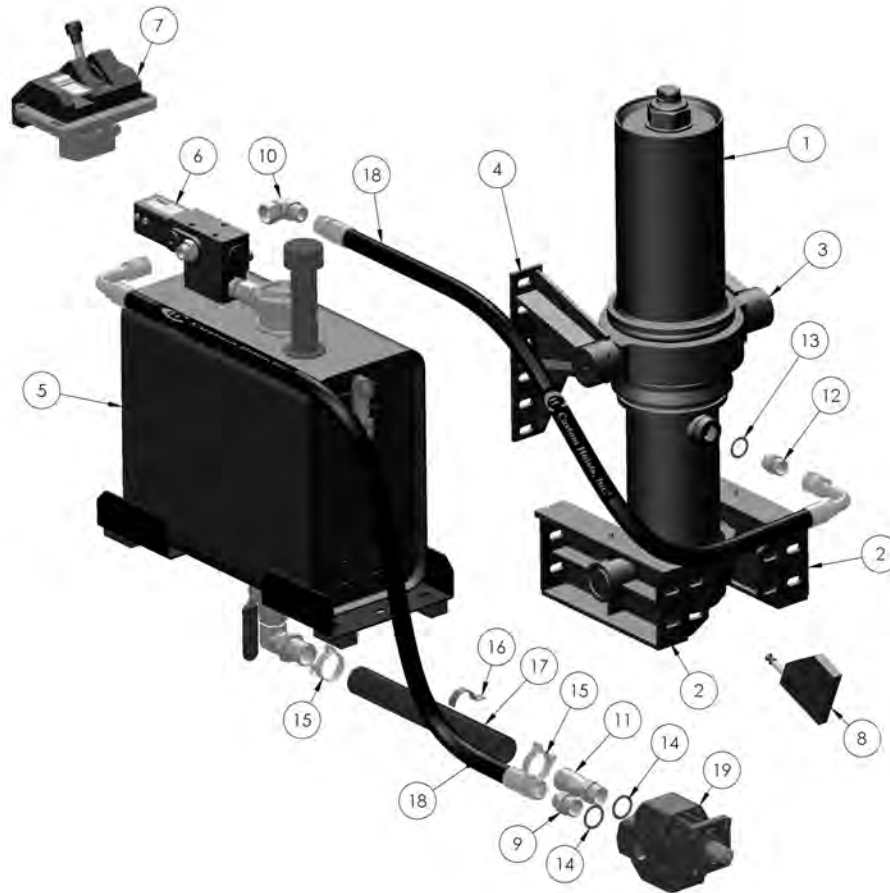
**CYLINDER SELECTION
ZYLINDER AUSWAHL
SELECCIÓN DEL CILINDRO
SELEÇÃO DE CILINDROS**



A (mm/in.)	STROKE SELECTION CHART – HUB AUSWAHL TABELLE – TABLA DE SELECCIÓN DE CARRERA – TABELA DE SELEÇÃO DE CURSOS								
	TIPPING ANGLE° – KIPPWINKEL – ÂNGULO DE INCLINAÇÃO – ANGLULO DE INCLINAÇÃO°								
	42	44	46	48	50	52	54	56	58
4000/157	2867/113	2996/118	3125/123	3253/128	3380/133	3506/138	3630/143	3754/148	3876/153
4500/177	3225/127	3371/133	3516/138	3660/144	3802/150	3944/155	4084/161	4223/166	4361/172
5000/197	3583/141	3745/147	3906/154	4066/160	4225/166	4382/173	4538/179	4692/185	4845/191
5500/216	3941/155	4120/162	4297/169	4473/176	4647/183	4820/190	4992/197	5162/203	5330/210
6000/236	4300/169	4494/177	4688/185	4880/192	5070/200	5259/207	5446/214	5631/222	5814/229
6500/256	4658/183	4869/192	5078/200	5286/208	5492/216	5697/224	5899/232	6100/240	6299/248
7000/275	5016/197	5244/206	5469/215	5693/224	5915/233	6135/242	6353/259	6569/259	6783/267
7600/300	5446/214	5693/224	5938/234	6181/243	6422/253	6661/262	6898/272	7132/281	7365/290
8000/315	5733/226	5993/236	6250/246	6506/256	6760/266	7011/276	7261/286	7508/296	7753/305
8600/338	6163/243	6442/254	6719/265	6994/275	7267/286	7537/297	7805/307	8071/318	8334/328
9000/354	6450/254	6742/265	7032/277	7319/288	7605/300	7888/310	8168/322	8446/333	8722/343
9600/378	6880/271	7191/283	7500/295	7807/307	8112/319	8414/331	8713/343	9009/355	9303/366
10000/394	7166/282	7491/295	7813/308	8133/320	8450/333	8764/345	9076/318	9385/370	9691/382
10500/413	7525/296	7865/310	8204/323	8539/336	8872/349	9202/362	9530/375	9854/388	10175/400
11000/433	7883/310	8240/324	8594/338	8946/352	9295/366	9641/379	9984/393	10323/406	10660/420

STROKE (mm/in.) HUB (mm/in.) -
CARRERA (mm/pulg.) - CURSO (mm/in.)

Wet Kits Mobilhydraulik Kits Kits hidráulicos Kits Hidráulicos



NO. ITEM	DESCRIPTION* BESCHRIEBEN* DESCRIPCIÓN* DESCRIÇÃO*	QTD.
1	CYLINDER – ZYLINDER – CILINDRO – CILINDRO	1
2	BRACKET – KONSOLE – SOPORTE – BRAÇADEIRA	2
3	BRACKET – KONSOLE – SOPORTE – BRAÇADEIRA	1
4	BRACKET – KONSOLE – SOPORTE – BRAÇADEIRA	1
5	OIL RESERVOIR – ÖL-TANK – DEPÓSITO DE ACEITE – TANQUE DE ÓLEO	1
6	TIPPING VALVE – KIPPVENTIL – VÁLVULA DE BÁSCULA – VÁLVULA BASCULANTE	1
7	CAB CONTROL – LUFTGEBER – CONTROL DE CABINA – CONTROLE DE CABINE	1
8	END OF STROKE DEVICE – KIPPABSCHALTUNG – DISPOSITIVO DE FIN DE CARRERA – DISPOSITIVO DE FINAL DE CURSO	1
9	ADAPTOR – ADAPTER – ADAPTADOR – ADAPTADOR	1
10	90° ELBOW – BOGEN – CODO DE 90° – COTOVELO DE 90°	1
11	ADMISSION CONNECTOR – PUMPENANSCHLUß – CONECTOR DE ADMISIÓN – CONECTOR DE ADMISSÃO	1
12	UNION – FITTING – UNIÓN – JUNÇÃO	1
13	BONDED WASHER – DICHTRING – ARANDELA A PRESIÓN – ARRUELA REFORÇADA	1
14	BONDED WASHER – DICHTRING – ARANDELA A PRESIÓN – ARRUELA REFORÇADA	2
15	HOSE CLAMP – SCHLAUCHSCHELLE – ABRAZADERA DE MANGUEIRA – PRESILHA DE MANGUEIRA	2
16	SUPPORT – SCHLAUCHKLEMMME – APOYO – SUPORTE	1
17	SUCTION HOSE – SAUGSCHLAUCH – MANGUEIRA DE SUCCIÓN – MANGUEIRA DE SUCCÃO	1
18	HIGH PRESSURE HOSE – DRUCKSCHLAUCH – MANGUEIRA DE ALTA PRESSÃO – MANGUEIRA DE ALTA PRESSÃO	2
19	PUMP – PUMPE – BOMBA – BOMBA	1

* VARIOUS SIZES AND MOUNTING CONFIGURATIONS AVAILABLE TO SUIT YOUR REQUIREMENTS
 VERSCHIEDENE GRÖßEN UND MONTAGEKONFIGURATIONEN SIND ENTSPRECHEND IHRE ANFORDERUNGEN VERFÜGBAR
 SE OFRECEN DIVERSOS TAMAÑOS Y CONFIGURACIONES DE MONTAJE PARA ADAPTARSE A SUS REQUISITOS
 DIVERSAS DIMENSÕES E CONFIGURAÇÕES DE MONTAGEM DISPONÍVEIS DE ACORDO COM AS SUAS NECESSIDADES



Custom Hoists, Inc.

P. O. Box 98
771 Rt. 30A West
Hayesville, Ohio 44838, U.S.A.
Phone: 419-368-4721 | 800-837-4668
Fax: 419-368-4209 | 800-224-6478



Custom Hoists Hydraulics (Tianjin) Co., Ltd.

61# Huasheng Road
Beichen High-Tech Industrial Park
Tianjin 300409, China
Phone: (86) 22-86993870
Fax: (86) 22-86996885

Custom Hoists, GmbH

Kölner Stasse 352-354
Krefeld 47807
Germany
Phone: + 49 171 363 4292
Fax: + 49 7544 969871
Contact: Mr. Erich Sieger
e-mail: erichs@customhoists.de



www.customhoists.com