

Fixture Manufacturer: EUREKA

Fixture Model Number: Focus 4547

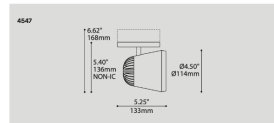
Spec Sheets Folder

Type:

A1

FOCUS 4547

PROJECT / PROJET
SPEC TYPE
NOTES



ORDERING SPECIFICATION / SPÉCIFICATION DE COMMANDE

MODEL / MODÈLE	FOCUS	CODE
4547	FOCUS	4547
LIGHT SOURCE / SOURCE LUMINEUSE		
LED 18	18W LED	
LED 25	25W LED	
COLOR TEMPERATURE / TEMPÉRATURE DE COULEUR		
30	3000K	
35	3500K	
40	4000K	
BEAM ANGLE / ANGLE DE FASCEAU		
15	15°	
38	38°	
55	55°	
VOLTAGE / VOLTAJE		
120V	120 VOLT	
277V	277 VOLT	
DIMMING OPTION / OPTION DE GRADATION		
0V	0-10V DIMMING (120-277V)	
DP	PHASE DIMMING (200-277V) LED DIMMING DRIVER IS STANDARD IN THIS PRODUCT. PLEASE SPECIFY YOUR DIMMING TYPE.	
MOUNTING / MONTAGE		
IC	ROUND CANOPY / RAYONNOR BOND FOR NON-IC INSTALLATION. 1.5\"/>	
IC-IC	FOR NON-IC INSTALLATION. 1.5\"/>	
IC-IC	FOR IC INSTALLATION. 1.5\"/>	
STRUCTURE FINISH / FINI DE STRUCTURE		
BLK	BLACK FINE TEXTURE	
WHT	WHITE FINE TEXTURE	
	—NON-IC CANOPY FINISH	
SHADE FINISH / FINI DE LA CLOQUE		
BLK	BLACK FINE TEXTURE	
WHT	WHITE FINE TEXTURE	
ACCESSORY / ACCESSOIRE		
3983	DEEP JUNCTION BOX (PROVIDED WITH 240IC CANOPY)	

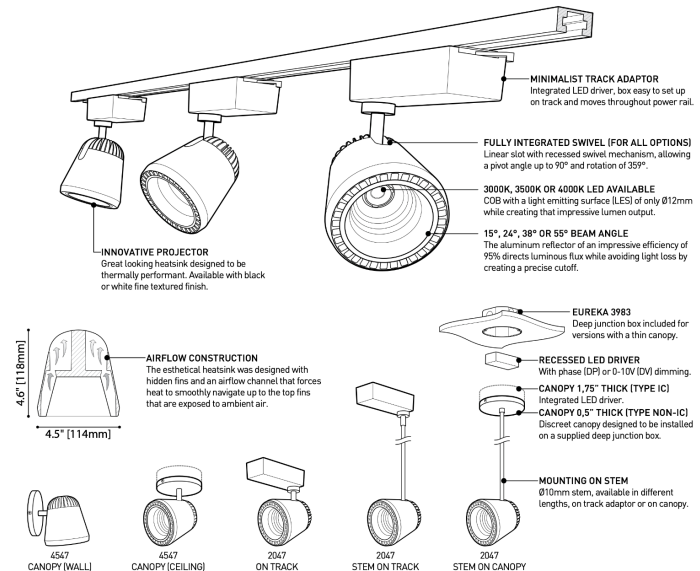
PRODUCT CHARACTERISTICS / CARACTÉRISTIQUES DU PRODUIT

BIM	DIM	IES	LED	0-10V	4
DESIGN:	Focus is simply the most powerful spotlight designed by Eureka. This performance is achievable through the combination of a clever heatsink construction, a high quality LED and an efficient reflector.				
INSTALLATION:	Focus is mounted on a round discreet canopy for wall or ceiling installation and is designed with a friction swivel. It is assembled on a deep junction box (included) with integrated LED driver.				
LIGHT SOURCE:	18W or 25W Chip-on-board COB providing an impressive output of more than 2000 delivered lumens. Available with phase or 0-10V dimming.				
STRUCTURE:	The custom built heatsink was designed with hidden fins and an airflow channel that forces heat to smoothly navigate up to the top fins that are exposed to ambient air. Available with black or white architectural grade fine textured finish.				
REFLECTOR:	Aluminum reflector with an impressive efficiency of 90% available with 15°, 38° or 55° beam angle (F966).				
CERTIFIED:	c-USA-us				
CONCEPTION:	Focus est tout simplement le projecteur le plus puissant conçu par Eureka! Cette performance est possible en combinant un dissipateur thermique brillamment conçu, une LED haute qualité et un réflecteur efficace.				
INSTALLATION:	Focus est monté sur un pavillon rond pouvant être installé au mur ou au plafond et il est conçu avec un pivot à friction. Il est assemblé sur une boîte de jonction profonde (incluse) avec une unité d'alimentation LED intégrée.				
SOURCE LUMINEUSE:	LED de type « Chip-on-board » (COB) de 18W ou 25W offre une flux lumineux impressionnant de plus de 2000 lumens livrés. Disponible avec gradateurs phase ou 0-10V.				
STRUCTURE:	Le radiateur esthétique intègre des ailettes dissimulées et un canal de ventilation, qui dirige le flux d'air vers la section supérieure exposée à l'air ambiant. Offert avec finition architecturale finement texturée noire ou blanche.				
REFLECTEUR:	Fait d'aluminium et de classe d'efficacité impressionnante de 90%, il est offert avec un angle de faisceau de 15°, 38° ou 55° (F966).				
CERTIFIÉ:	c-USA-us				

ANATOMY



FOCUS



SPECIFICATIONS	LED 18W	LED 25W
LIGHT SOURCE	1 x COB LED - System Wattage 21.3W Total	1 x COB LED - System Wattage 30.6W Total
LUMENS (DELIVERED)	2177 lumens (102lm/W)	2803 lumens (92lm/W)
CRI	83 CRI (typical)	
CCT	4000K 3-step MacAdam Ellipse binning	
HEATSINK	Custom diecast aluminum, black or white fine textured finish	
LIGHT DISTRIBUTION	Directional projector (2047 and 4547)	
REFLECTOR	Aluminum, FWHM 15°, 24°, 38° or 55°	
LED DRIVER	Constant Current 500mA, UL Recognized	Constant Current 700mA, UL Recognized
DIMMING (VOLTAGE)	Phase dimming (DPI) 120V or 0-10V dimming (DVI) 120-277V	
LM-79	Upon request	
WARRANTY	5 years	

EUREKA SPECIFICATION
Eureka Lighting © 2020 www.eurekalinghting.com V1.0 2020-04

EUREKA 225 de L'Église Ouest, Suite #200 Montréal (QC), Canada H2P 1H4 Tel : 514.382.5515 Fax : 514.385.4169 www.eurekalinghting.com
Eureka Lighting © 2017 www.eurekalinghting.com
EUREKA 2047 4547 V3.9-201705

MO Max Okst Lighting Design
maxokst@gmail.com
(631) 605-9525
www.maxokst.com

Project: The Edison: An American Bistro
R1: 5/4/22

Fixture Manufacturer: EUREKA

Fixture Model Number: 1112AD

Type:

Spec Sheets Folder

B1

1112AD/1152AD/1152SD

PROJECT PROJÉT

SPEC TYPE

NOTES

1112AD 1152AD

1152SD

1112AD/1152AD 1152SD

ORDERING SPECIFICATION SPÉCIFICATION DE COMMANDE CODE

A complete unit consists of a trim (A) and a housing (B) selected according to light source, using the matrix below. Additionally, use section (C) to specify Eureka LED Modules, Accessories (D) are additional options.

(A) TRIM ORDERING COMMANDE ENCASTÉE

MODEL MODULE

1112AD ROUND FIXED FLAT DOWN FIRM WITH CONICAL Baffle

1152AD ROUND FLAT SHOWER TRIM WITH DIRECTIONAL CONICAL Baffle

1152SD SQUARE FLAT SHOWER TRIM WITH DIRECTIONAL CONICAL Baffle

STRUCTURE FINISH FINI STRUCTURE

BLK BLACK (1112AD, 1152AD ONLY)

CRK CHROME

EC SATIN CHROME

WH WHITE

DIFFUSER FINISH FINI DIFFUSEUR FRO Frosted

(B) LED ORDERING COMMANDE DEL EUREKA LED MODULES MODULES DEL EUREKA

WATTAGE COULUMEN/POWER/BEAM ANGLE

LED A 1x Nichia COB LED

LED B1 1x Nichia COB LED (FOR 1112AD ONLY)

EUREKA LED MODULES MODULES DEL EUREKA

30 3000K

35 3000K

40 4000K

ANGLE BEAM ANGLE DE FAISCEAU

LED A 17°

17 45°

48 45°

LED B1 27°

27 40°

40 40°

(C) HOUSING ORDERING COMMANDE BOÎTIER

HOUSINGS BOÎTIÈRES

Select housing with matrix below based on light source, voltage options and housing type

(D) ACCESSORY ORDERING COMMANDE ACCESSOIRES

ACCESSORIES ACCESSOIRES

1112A FLUSH** MOUNTING ACCESSORY (FOR 1112AD, 1152AD ONLY)

1151S FLUSH** MOUNTING ACCESSORY (FOR 1152SD ONLY)

PRODUCT CHARACTERISTICS CARACTÉRISTIQUES DU PRODUIT

DIM LED DIMMABLE 4000K BASS

HOUSING SELECTION MATRIX MATRICE DE SÉLECTION DU BOÎTIER

LIGHT SOURCE SOURCE LUMINEUSE	VOLTAGE VOLTAGE	REMODELING RENOVATION	NEW INSTALLATION NOUVELLE INSTALLATION	NEW INSTALLATION (AIR RETURN PLUNJIN) NOUVELLE INSTALLATION (ESPACE À RETOUR D'AIR)	NEW INSTALLATION (INSULATED CEILING - AIR TIGHT) NOUVELLE INSTALLATION (CROUILLÉE - PLANCHER-ISOLÉ)
30W HAL MR16 GU5.3 Base	120V ELECT.				1800-0-35-E
30W HAL MR16 GU5.3 Base	277V ELECT.				1800-0-35-E.3
30W HAL MR16 GU5.3 Base	120V MAG.	15200-0-35	16000-0-35	17000-0-35	1800-0-35-E.3
30W HAL MR16 GU5.3 Base	120V ELECT.	15000-0-35-E	16000-0-35-E	17000-0-35-E	1800-0-35-E.3
30W HAL MR16 GU5.3 Base	277V ELECT.	15000-0-35-E.3	16000-0-35-E.3	17000-0-35-E.3	1800-0-35-E.3
30W HAL MR16 GU5.3 Base	120V	15010-2-35	16010-2-35	17100-2-35	1810-2-35
30W HAL MR16 GU5.3 Base	120V	15010-2-35	16010-2-35	17100-2-35	1810-2-35
30W CMR MR16 GU5.3 Base (FOR 1152AD, 1152SD ONLY)	120V ELECT.	15230-4-35-E	16030-4-35-E	17130-4-35-E	1810-4-35-E
30W CMR MR16 GU5.3 Base (FOR 1152AD, 1152SD ONLY)	277V ELECT.	15230-4-35-E.3	16030-4-35-E.3	17130-4-35-E.3	1810-4-35-E.3
4W EUREKA LED MODULE	120V ELECT.	15040-9-35.4	16040-9-35.4	17040-9-35.4	18040-9-35.4
4W EUREKA LED MODULE	277V ELECT.	15040-9-35.4.3	16040-9-35.4.3	17040-9-35.4.3	18040-9-35.4.3
4W EUREKA LED MODULE - Phase Dimming	120V ELECT.	15040-9-35.4.DP	16040-9-35.4.DP	17040-9-35.4.DP	18040-9-35.4.DP
4W EUREKA LED MODULE - 0-10V Dimming	120-277V ELECT.	15240-9-35.4.DV8	16040-9-35.4.DV8	17040-9-35.4.DV8	18040-9-35.4.DV8
17W EUREKA LED MODULE - Phase Dimming	120V ELECT.	15048-9-35.11.DP	16048-9-35.11.DP	17048-9-35.11.DP	18048-9-35.11.DP
17W EUREKA LED MODULE - 0-10V Dimming	120-277V ELECT.	15048-9-35.11.DV8	16048-9-35.11.DV8	17048-9-35.11.DV8	18048-9-35.11.DV8
18W Max. LED MR16 GU5.3 Base	120V ELECT.	15040-0-35-E	16040-0-35-E	17040-0-35-E	18040-0-35-E
18W Max. LED MR16 GU5.3 Base	277V ELECT.	15040-0-35-E.3	16040-0-35-E.3	17040-0-35-E.3	18040-0-35-E.3

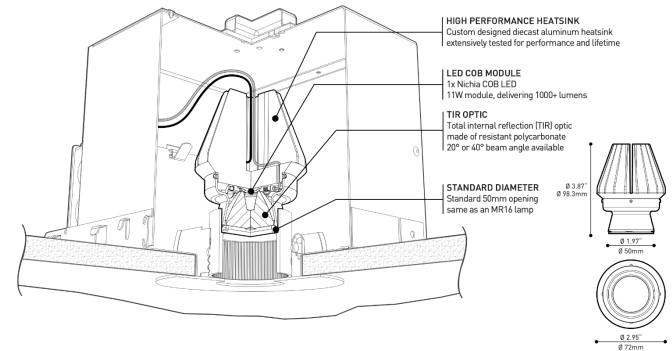
EUREKA SPECIFICATION

Eureka Lighting © 2017 www.eurekalighting.com V1.0-201705

ANATOMY

BIM IES LED

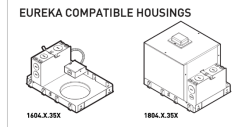
11W LED MODULE



EUREKA COMPATIBLE TRIMS

1121A	1112AD	1173A
1181A	1153A	1173AD
1111A	1153AD	1173S
1151A	1153S	1173SD
1151S	1153SD	8AS5'
1112A		MEGA BASS

* LIMITED ADJUSTMENT ANGLE



Get the latest compatible trims & compatible housings lists by consulting the eureka website: www.eurekalighting.com

CHARACTERISTICS

11w

LED EMITTER** 1x Nichia Chip On Board (COB) LED - 14w total system wattage

OPTICS TIR - 20° & 40° beam angle

MODULE UL recognized - Made in USA

LUMENS** 1067 delivered lumens

EFFICACY 90 lumens / Watt

CRI 83 CRI typical

DRIVER (DIMMING) Phase dimming 120V only ***

VOLTAGE 0-10V dimming 120-277V ***

L70 / LM-79 120V or 277V

CERTIFICATION / WARRANTY C-UL-us / 5 years

** VALUES VALIDATED ON SSL LIGHTING FACTS LABELS. 1067 DELIVERED LUMENS WITH 40 DEGREES OPTIC. LUMENS MAY VARY WITH TRIM USED.

*** PLEASE CONSULT FACTORY FOR DIMMING & CONTROLLER OPTIONS.

EUREKA 225 de Liège Ouest, Suite #200 Montreal (QC), Canada H2P 1H4 Tel: 514.385.2515 Fax: 514.385.4169 www.eurekalighting.com

Eureka Lighting © 2017 www.eurekalighting.com V3.0-201705

MO

Max Okst Lighting Design

maxokst@gmail.com
(631) 605-9525
www.maxokst.com

Project:

The Edison:
An American Bistro

R1: 5/4/22

Fixture Manufacturer: LEVITON

Fixture Model Number: 9878

Spec Sheets Folder

Type:

C1



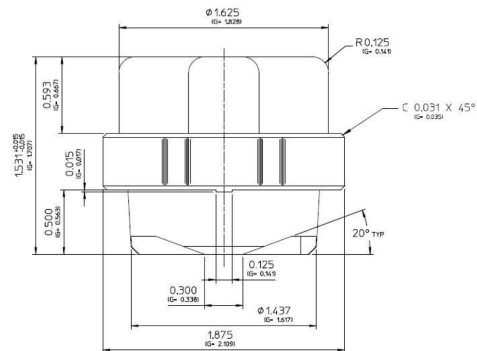
Leviton 9878

UPC Code: 07847719967

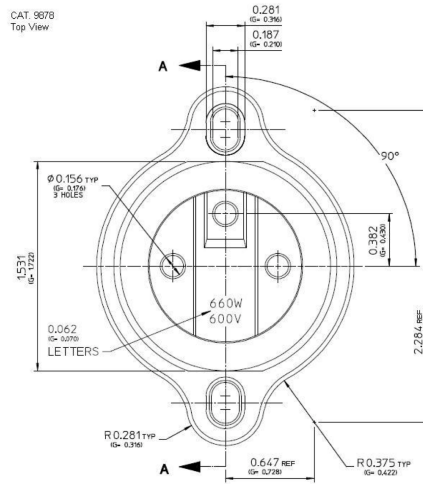
Country of Origin: China
Description

Incandescent lampholder, keyless, porcelain, medium base, 660W
600V, white.

CAT 9878
Side view



CAT 9878
Top View



Max Okst Lighting Design

maxokst@gmail.com
(631) 605-9525
www.maxokst.com

Project:

The Edison:
An American Bistro

R1: 5/4/22

Fixture Manufacturer: EUREKA

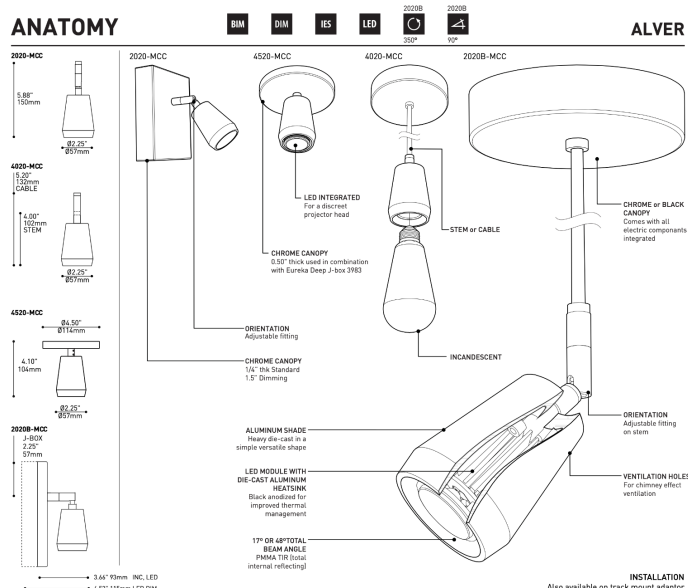
Fixture Model Number: Aliver 4020-MCC

Type:

Spec Sheets Folder

D1

ANATOMY



SPECIFICATIONS	LED	INCANDESCENT
LIGHT SOURCE	4 x high powered LEDs on MCPCB - total ±4 w	Inc Medium Base - 60W
MODULE	UL recognized - made in USA	N/A
DELIVERED LUMENS	330 lm - 350 lm (4000K)	N/A
CRI	80 CRI (typical)	N/A
HOUSING	Die-cast aluminum	N/A
HEATSINK	Black anodized aluminium	N/A
LIGHT DISTRIBUTION	Directional projector [2020] [Direct] [4020]	N/A
OPTICS	Total Internal Reflection [TIR] of 17° & 48° beam angle	N/A
VOLTAGE	120V (DP) or 120-277V (DV or non-dimming)	120V
DRIVER	Constant Current driver 350 mA, UL Recognized	
DIMMING	Phase Dimming (DP) and 0-10V Dimming (DV)	Dimmable
LM-79	On request	
WARRANTY	5 years (on electronic components)	
CERTIFICATION	CSA recognized	

EUREKA 225 de Liège Ouest, Suite #200
 Montréal (QC), Canada H2P 1R4
 Tel: +1 514 285 2515 Fax: +1 514 285 4169
 www.eurekaighting.com

2020-MCC 4020-MCC
2020B-MCC 4520-MCC

Eureka Lighting ©2017 www.eurekaighting.com V2.0-201705

ALIVER 4020-MCC

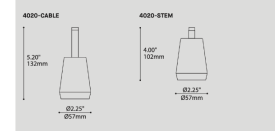
PROJECT	PROJECT
SPEC TYPE	
NOTES	



OVERALL HEIGHT	HAUTEUR HORS TOUT
LIGHT SOURCE	INC TRACK 1200T2C LED 1200T2C LED 1200T2C LED 1200T2C LED 1200T2C
MOUNTING	2734B 2734E 2401C 2401E 2401G
STEM	4520* 4418* 4222* 4222* 4222*
CABLE	6020* 4440* 4440* 4440* 4440*
	FOR 2020 (ADD 1.88" FOR 3960L)
	*OVERALL HEIGHT DOES NOT INCLUDE TRACK THICKNESS

MOUNTING OPTIONS	OPTIONS DE MONTAGE
2734B	1.60" x 1.80" 2734B
2734E	1.60" x 1.80" 2734E
2401C	0.83" x 0.80" 2401C
2401E	0.83" x 0.80" 2401E
2401G	0.83" x 1.20" 2401G
	0.83" x 1.20" 2401G
	*OVERALL HEIGHT DOES NOT INCLUDE TRACK THICKNESS

STEM OPTIONS	OPTIONS DE TIGE
STEM	570 36" 944mm



EUREKA SPECIFICATION

Eureka Lighting © 2017 www.eurekaighting.com V2.0-201705

ORDERING SPECIFICATION	SPECIFICATION DE COMMANDE	CODE
MODEL / MODELE	ALIVER (SUSPENDED)	4020-MCC
NOTE		
LIGHT SOURCE / SOURCE LUMINEUSE		
INCANDESCENT / SOURCE INCANDESCENTE	60W, INC. A19 / B10 / G30 / HAL T/O, MEDIUM BASE (220V ONLY)	
LED / LED	4x LED	
COLOR TEMPERATURE / TEMPERATURE DE COULEUR		
FOR LED ONLY		
30	3000K	
35	3500K	
40	4000K	
ANGLE BEAM / ANGLE DE FAISCEAU		
FOR LED ONLY		
17	17°	
48	48°	
VOLTAGE / VOLTAJE		
120V	120V VOLT	
277V*	277V VOLT	
	*NOT AVAILABLE WITH A TRACK ADAPTOR	
DIMMING OPTION / OPTION DE CREATION		
FOR LED ONLY		
DP*	0-10V DIMMING (0-20-277V)	
	PHASE DIMMING (220V ONLY)	
	*NOT AVAILABLE WITH A TRACK ADAPTOR	
STEM OR CABLE / TIGE OU CABLE		
86	1/4" (6MM) STEM, FIELD ADJUSTABLE	
	CLEAR CABLE, FIELD ADJUSTABLE	
STEM OR CABLE LENGTH / LONGUEUR DE TIGE OU CABLE		
36	36" STEM (STD LENGTH)	
60	60" CABLE (STD LENGTH)	
**	CUSTOM STEM LENGTH (PLEASE SPECIFY)**	
**	CUSTOM CABLE LENGTH (PLEASE SPECIFY)**	
	**FOR SMALL LENGTH PLEASE CONTACT YOUR AREA REPRESENTATIVE.	
	**CABLE ACCESSORY PROVIDED FOR LED WITH A TRACK ADAPTOR 1/2"	
MOUNTING / MONTAGE		
RC	ROUND CANOPY / FAVILON ROND	
	FOR LED & STEM CABLES ≤ 12" / 0.50" CANOPY (2401C)	
	FOR INCANDESCENT / 1.00" CANOPY (2401E)	
	FOR DIMMING LED 1.75" CANOPY (2401G)	
TA1	TRACK ADAPTOR / ADAPTEUR DE RAIL	
	1 CROUSET	
	INC 120V ADAPTOR (2734B)	
	LED DIMMING & NON-DIMMING 120V ADAPTOR (2734E)	
MOUNTING OPTION / OPTION DE MONTAGE		
SDA*	SLOPE DEL RAIL ADAPTOR / ADAPTEUR DE PLATON EN PENTE (POSITION 350°, 90°)	
	*NOT AVAILABLE WITH A TRACK ADAPTOR	
TRACK ADAPTOR FINISH / FINI ADAPTEUR DE RAIL**		
WH	WHITE	
BLK	BLACK	
M/G	METALLIC GRAY (2734B ONLY)	
	**FILL IN A TRACK ADAPTOR IS SELECTED OTHERWISE LEAVE EMPTY	
STRUCTURE FINISH / FINI STRUCTURE		
BLK	BLACK	
CHR	CHROME	
CUP FINISH / FINI COUPE		
BLK	BLACK	
CHR	CHROME	
ACCESSORY / ACCESSoire		
3963	DEEP JUNCTION BOX (PROVIDED FOR LED WITH STEM 1/2" AS PER ABOVE)	
PRODUCT CHARACTERISTICS / CARACTÉRISTIQUES DU PRODUIT		
DIM		
DIM		
IES		
LED		

Max Okst Lighting Design
 maxokst@gmail.com
 (631) 605-9525
 www.maxokst.com

Project:
 The Edison:
 An American Bistro
 R1: 5/4/22

Fixture Manufacturer: EUREKA

Fixture Model Number: SLIM STACK 2036

Type:

Spec Sheets Folder

E1

SLIM STACK 2036

PROJECT / PROJET
SPEC TYPE
NOTES



OPTIONS



OVERALL HEIGHT HAUTEUR HORS TOUT					
LIGHT SOURCE	HO TRACK	INC TRACK	LED TRACK	INC HAL	LED DIM
2734	2734	2734	2411	2492	2492
320" x 230"	140" x 130"	61" x 230"	88 1/2" x 130"	88 1/2" x 130"	88 1/2" x 130"
963.5mm	355.6mm	1524.5mm	2251.4mm	2276.8mm	2276.8mm
STEM	43.20"	42.30"	44.50"	43.10"	43.60"
					43.80"
*FOR 2036, ADD 1.50" (FOR SHIMEL)					

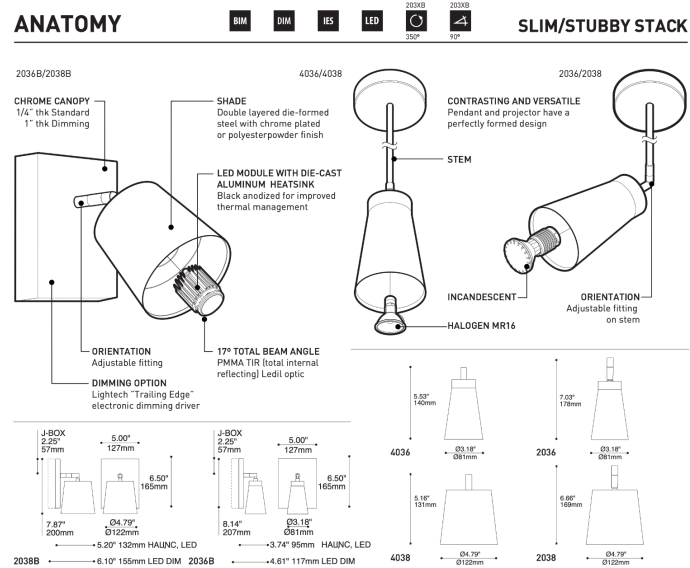
MOUNTING OPTIONS OPTIONS DE MONTAGE					
2734	2734	2734	2411	2492	
320" x 230"	140" x 130"	61" x 230"	88 1/2" x 130"	88 1/2" x 130"	
963.5mm	355.6mm	1524.5mm	2251.4mm	2276.8mm	
*OVERALL HEIGHT DOES NOT INCLUDE TRACK THICKNESS					

STEM OR CABLE OPTIONS OPTIONS DE TIGE OU CÂBLE	
STEM	STD 30"
	914mm



ORDERING SPECIFICATION	SPECIFICATION DE COMMANDE	CODE			
MODEL / MODELE	2036	2036			
2036	SLIM STACK (PROJECTOR HEAD)				
LIGHT SOURCE / SOURCE LUMINEUSE					
MR16 G3	50W, HAL, MR16C, GUS 3 BASE				
GZ12 G3	50W, HAL, MR16, GZ12 G3 BASE (120V ONLY)				
PAR20 G3	50W, INC, PAR20, MEDIUM BASE (120V ONLY)				
LED 4	4W LED				
COLOR TEMPERATURE / TEMPERATURE DE COULEUR					
30	3000K				
35	3500K				
40	4000K				
VOLTAGE / VOLTAJE					
120V	120 VOLT				
277V*	277 VOLT				
	*NOT AVAILABLE WITH A TRACK ADAPTOR				
DIMMING OPTION / OPTION DE GRADATION					
FOR LED ONLY					
DP*	0-10V DIMMING (200-277V)				
DP	PHASE DIMMING (120V ONLY)				
	*NOT AVAILABLE WITH A TRACK ADAPTOR				
STEM / TIGE					
36	1 1/4" (30MM) STEM, FIELD ADJUSTABLE				
-	NO STEM (2036 ONLY)				
STEM LENGTH / LONGUEUR DE TIGE					
36	36" STEM (STD LENGTH)				
**	CUSTOM STEM LENGTH (PLEASE SPECIFY)				
	*FOR OVERALL LENGTH PLEASE CONTACT YOUR EUREKA REPRESENTATIVE				
MOUNTING / MONTAGE					
RC	ROUND CANOPY / REVILLON ROND				
	FOR INC, HAL & LED 120V CANOPY (2401)				
	FOR DIMMING LED 17° CANOPY (2403)				
TA†	TRACK ADAPTOR / ADAPTEUR DE RAIL				
	1 CIRCUIT				
	HAL 120V ADAPTOR (2734)				
	INC, GZ12 120V ADAPTOR (2734)				
	LED DIMMING 5-WAY DIMMING 120V ADAPTOR (2734)				
MOUNTING OPTION / OPTION DE MONTAGE					
SCA	SLOPE CEILING ADAPTOR / ADAPTEUR DE PLAFOND EN PENTE (ROTATION: 350°, PIVOT: 50°)				
TRACK ADAPTOR FINISH / FINI ADAPTEUR DE RAIL**					
WH	WHITE				
BLK	BLACK				
MG	METALLIC GRAY (2734, 2734B ONLY)				
	**ALL IF A TRACK ADAPTOR IS SELECTED, OTHERWISE LEAVE EMPTY				
STRUCTURE FINISH / FINI STRUCTURE**					
BLK	BLACK				
CHR	CHROME				
WH	WHITE				
BAFFLE FINISH / FINI DEFLECTEUR					
BLK	BLACK				
WH	WHITE				
PRODUCT CHARACTERISTICS / CARACTÉRISTIQUES DU PRODUIT					
BIM	DIM	IES	LED	3500K	3500K
				350°	70°
DESIGN:	Contrasting and versatile, the Slim Stack pendant and projector have a perfectly formed aluminum design.				
LIGHT SOURCE:	LED and other light sources available.				
STRUCTURE:	Double layered die-formed steel shade with chrome plated or polyester powder finish.				
CERTIFIED:	c-USA-us				

ANATOMY



SPECIFICATIONS	LED	HALOGEN	INCANDESCENT
LIGHT SOURCE	4 x Nichia - total 4w	MR16 C, GUS 3 Base- 50W	INC, PAR20, Medium Base- 50W
MODULE	UL recognized - made in USA	N/A	N/A
LUMENS (DELIVERED)	504lm (4000K)	N/A	N/A
CRI	85 CRI (typical)	N/A	N/A
ROHS	Compliant		
HOUSING	Die-formed steel		
HEATSINK	Black anodized aluminum	N/A	N/A
LIGHT DISTRIBUTION	Directional projector [203X(B)]/Direct [403X]		
OPTICS	LEDIL TIR - 17° total beam angle	N/A	N/A
VOLTAGE	120V or 277V	120V (MR16), 120V or 277V (MR16C)	120V
DRIVER	350 mA	Electronic low voltage transformer	N/A
DIMMING	Phase dimming (DPI) or 0-10V dimming (DVI)	Dimmable	Dimmable
LM-79	On request		
WARRANTY	5 years (on electronic components)	3-5 years (on transformer, depending of the transformer)	
CERTIFICATION	CSA recognized		

EUREKA SPECIFICATION
Eureka Lighting © 2017 www.eurekalinghting.com V2.0-201706

EUREKA 225 de Liège Ouest, Suite #200
Montreal (QC), Canada H2Z 1K4
Tel: 514.385.3515 Fax: 514.385.4169
www.eurekalinghting.com
Eureka Lighting © 2017 www.eurekalinghting.com V4.0-202010

MO Max Okst Lighting Design
maxokst@gmail.com
(631) 605-9525
www.maxokst.com

Project:
The Edison:
An American Bistro
R1: 5/4/22

Fixture Manufacturer: EUREKA

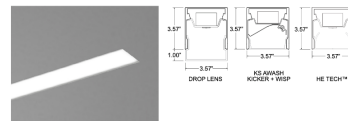
Fixture Model Number: ACCOLADE D5

Type:

Spec Sheets Folder

F1

D5 | SPECIFICATION GUIDE



ORDERING CODE

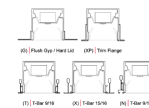
D5

PROJECT INFO	DATE
TYPE	QUANTITY

BASELINE PERFORMANCE (80 CRI - 4000K)

OUTPUT	OPTICS	NOMINAL LUMEN OUTPUT	INPUT WATTS	EFFICACY
High (LH)	HE Tech**	762 lm/ft	9.5 W/ft	80 lm/W
	WISP (Asymmetric)	665 lm/ft	9.5 W/ft	70 lm/W
	Drop Lens	692 lm/ft	9.5 W/ft	73 lm/W
Standard (LS)	Louvers	527 lm/ft	9.5 W/ft	55 lm/W
	HE Tech**	408 lm/ft	4.5 W/ft	90 lm/W
	WISP (Asymmetric)	333 lm/ft	4.5 W/ft	70 lm/W
	Drop Lens	370 lm/ft	4.5 W/ft	82 lm/W
	Louvers	282 lm/ft	4.5 W/ft	62 lm/W

MOUNTING OPTIONS



Custom tuned output available from 25% to 125% of high output. Please consult factory for custom lumen output and wattage. *Flat Blade Louver calculated using the aluminum finish.

SERIES	LENGTH OR PATTERN TYPE	INTERSECTION TYPE	OUTPUT	LED CCT	LED CRI	VOLTAGE	DIRECT OPTICS
D5	Nominal Length**	IT ** Intersection**	LS Standard Output	27 2700K	80+ CRI	U 120V - 277V	HE HE Tech**
	Exact Length**	IX *X Intersection**	LH High Output	30 3000K	90+ CRI	3 347V	KS Awash Kicker + WISP
	PL "L" Shape***	IY ** Intersection**	C Custom Output	35 3500K			DL 1" Drop Lens*
	PU "U" Shape***			40 4000K			LV Flat Blade Louvers**
	PR Rectangle / Square***						PFW Polycarbonate Flush WISP
	CF Custom Pattern***						

MOUNTING	FINISH*	DIMMING	EMERGENCY
G Flush Gyp / Mud Over Flange	T Titanium	D Standard 0-10V*	EC Emergency - circled**
RG 1" Regressed Gyp / Mud Over Flange	W White	D1 HiLume Ecosystems 1% (LDE1)	E Emergency - battery**
XP 1/2" Trim Flange	B Black	D2 Phase Dimming**	
T T-Bar 9/16"	O Other**	D3 DMX 0.1% dim-to-dark	
X T-Bar 15/16"		D4 DALI dim-to-off	
N T-Bar 9/16 Slot		NAIR nLight 8AIR (dim-to-off)	
T4 4" On Center Standard T-Bar 9/16"		NWIR nLight 8Wired (dim-to-off)	
M4 4" On Center Slot T-Bar 9/16"		DO Other Dimming	

SENSORS	OPTIONS
OC Occupancy Sensor - Ceiling	MRL 2' LED Downlight Module*
PC Photocell / Daylight Sensor - Ceiling	M Multi-Circuit**
OF Occupancy Sensor - Fixture	R Right Endcap Feed
PF Photocell / Daylight Sensor - Fixture	L Left Endcap Feed
OPC Occupancy & daylight Sensor - Ceiling	N New York City Code
OPF Occupancy & daylight Sensor - Fixture	

a | light

3728 MARITIME WAY | OCEANSIDE, CA 92056 | 760.727.7475
ALIGHTS.COM | REV.2.1 2021/11/30



Max Okst Lighting Design

maxokst@gmail.com
(631) 605-9525
www.maxokst.com

Project:

The Edison:
An American Bistro

R1: 5/4/22

Fixture Manufacturer: EUREKA

Fixture Model Number: 1112AD

Type:

Spec Sheets Folder

G1

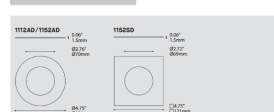
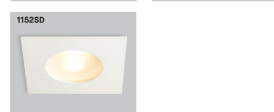
1112AD/1152AD/1152SD

PROJECT PROJET

SPEC TYPE

NOTES

1112AD 1152AD



HOUSING SELECTION MATRIX MATRICE DE SÉLECTION DU BOÎTIER

LIGHT SOURCE SOURCE LUMINEUSE	VOLTAGE VOLTAJE	REMODELING RÉNOVATION	NEW INSTALLATION NOUVELLE INSTALLATION		
			NEW INSTALLATION NOUVELLE INSTALLATION	NEW INSTALLATION (AIR RETURN PLENUM) NOUVELLE INSTALLATION (ESPACE À RETOUR D'AIR)	NEW INSTALLATION (CEILING + AIR TIGHT) NOUVELLE INSTALLATION (PLAFOND BOULÉ)
35W HAL MR16, GU5.3 Base	120V ELECT.				18100-0.35.E
35W HAL MR16, GU5.3 Base	277V ELECT.				18100-0.35.E.3
30W HAL MR16, GU5.3 Base	120V WAG.		16000-0.35	171000-0.35	18100-0.35.E
30W HAL MR16, GU5.3 Base	120V ELECT.		15000-0.35.E	171000-0.35.E	18100-0.35.E.3
30W HAL MR16, GU5.3 Base	277V ELECT.		16000-0.35.E.3	171000-0.35.E.3	
35W HAL MR16, G270 Base	120V				18110-2.35
30W HAL MR16, G270 Base	120V		16010-2.35	171100-2.35	
30W CMH MR16, G270 Base (FOR 1152AD, 1152SD ONLY)	120V ELECT.		15200-4.35.E	171200-4.35.E	18130-4.35.E
30W CMH MR16, G270 Base (FOR 1152AD, 1152SD ONLY)	277V ELECT.		16030-4.35.E.3	171200-4.35.E.3	18130-4.35.E.3
4W EUREKA LED MODULE	120V ELECT.		15040-9.35.4	170400-9.35.4	18040-9.35.4
4W EUREKA LED MODULE	277V ELECT.		16040-9.35.4.3	170400-9.35.4.3	18040-9.35.4.3
4W EUREKA LED MODULE, Phase Dimming	120V ELECT.		15240-9.35.4.DP	170400-9.35.4.DP	18040-9.35.4.DP
4W EUREKA LED MODULE, 0-10V Dimming	120V ELECT.		15240-9.35.4.DV.8	170400-9.35.4.DV.8	18040-9.35.4.DV.8
11W EUREKA LED MODULE, Phase Dimming	120V ELECT.		1604-9.35.11.DP	17040-9.35.11.DP	1804-9.35.11.DP
11W EUREKA LED MODULE, 0-10V Dimming	120V ELECT.		1604-9.35.11.DV.8	17040-9.35.11.DV.8	1804-9.35.11.DV.8
16W Max. LED MR16, GU5.3 Base	120V ELECT.		15040-0.35.E	170400-0.35.E	18040-0.35.E
16W Max. LED MR16, GU5.3 Base	277V ELECT.		15040-0.35.E.3	170400-0.35.E.3	18040-0.35.E.3

EUREKA SPECIFICATION

Eureka Lighting © 2017 www.eurekalinghting.com V1.0-201705

ORDERING SPECIFICATION SPÉCIFICATION DE COMMANDE CODE

A complete unit consists of a trim (A) and a housing (D) selected according to light source, using the matrix below. Additionally, use section (B) to specify Eureka LED Modules, Accessories (C) are additional options.

(A) TRIM ORDERING COMMANDE ENCASTRÉE

MODEL NUMBER

112AD ROUND FLAT SHOWER TRIM WITH CONICAL Baffle

112AD ROUND FLAT SHOWER TRIM WITH DIRECTIONAL CONICAL Baffle

1152SD SQUARE FLAT SHOWER TRIM WITH DIRECTIONAL CONICAL Baffle

STRUCTURE FINISH FINI STRUCTURE

BLK BLACK (112AD, 1152AD ONLY)

CHR CHROME

EC SATIN CHROME

WH WHITE

DIFFUSER FINISH FINI DIFFUSEUR FRO FROSTED

(B) LED ORDERING COMMANDE DEL

EUREKA LED MODULES MODULES DEL EUREKA

IMMAGE COULEUR TRANSPARENT, BEAM ANGLE

LED.4 4W, LED

LED.11 11W, LED (FOR 112AD ONLY)

EUREKA LED MODULES MODULES DEL EUREKA

30 3000K

35 3500K

40 4000K

ANGLE BEAM ANGLE DE FASCICAU

LED.4 19°

45 48°

LED.11 20°

40 40°

(D) HOUSING ORDERING COMMANDE BOÎTIER

HOUSING BOÎTIER

Select housing code in matrix below based on light source, voltage options and housing type

(E) ACCESSORY ORDERING COMMANDE ACCESSOIRE

ACCESSORIES ACCESSOIRES

191A FLUSH* MOUNTING ACCESSORY (FOR 112AD, 1152AD ONLY)

191B FLUSH** MOUNTING ACCESSORY (FOR 1152SD ONLY)

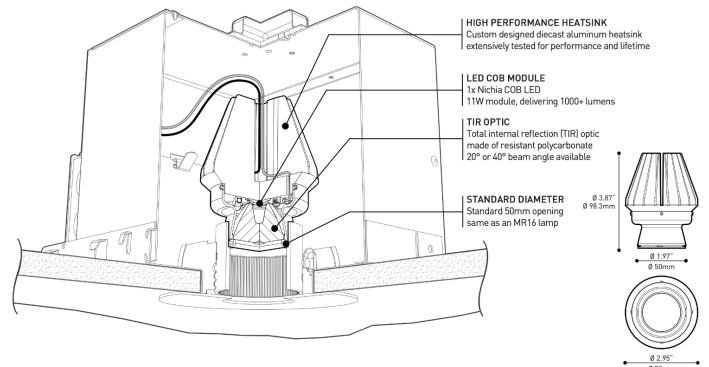
PRODUCT CHARACTERISTICS CARACTÉRISTIQUES DU PRODUIT

DIM LED

ANATOMY

BIM IES LED

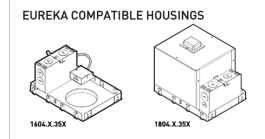
11W LED MODULE



EUREKA COMPATIBLE TRIMS

1121A	1112AD	1173A
1181A	1153A	1173AD
1111A	1153AD	1173S
1151A	1153S	1173SD
1151S	1153SD	BASS*
1112A		MEGA BASS

* LIMITED ADJUSTMENT ANGLE



Get the latest compatible trims & compatible housings lists by consulting the eureka website:

www.eurekalinghting.com

CHARACTERISTICS

11w

LED EMITTER** 1x Nichia Chip On Board (COB) LED - 14w total system wattage

OPTICS TIR - 20° & 40° beam angle

MODULE UL recognized - Made in USA

LUMENS** 1047 delivered lumens

EFFICACY 90 lumens / Watt

CRI 83 CRI typical

DRIVER (DIMMING) (Phase dimming) 120V only ***

DRIVER (DIMMING) (0-10V dimming) 120-277V ***

VOLTAGE 120V or 277V

L70 / LM-79 50 000 hrs / On request

CERTIFICATION / WARRANTY C-UL-us / 5 years

** VALUES VALIDATED ON SSL LIGHTING FACTS LABELS. 1047 DELIVERED LUMENS WITH 40 DEGREES OPTIC. LUMENS MAY VARY WITH TRIM USED.

*** PLEASE CONSULT FACTORY FOR DIMMING & CONTROLLER OPTIONS.

EUREKA LED.11.XX.XX

226 de Lévesque Ouest, Suite #200
Montreal (QC), Canada H2P 1H4
Tel. : 514.385.3515 Fax : 514.385.4169
www.eurekalinghting.com

Eureka Lighting ©2017 www.eurekalinghting.com V3.0-201705

MO Max Okst Lighting Design

maxokst@gmail.com
(631) 605-9525
www.maxokst.com

Project: The Edison: An American Bistro

R1: 5/4/22

Fixture Manufacturer: EUREKA

Fixture Model Number: PLATE OUT SINGLE 3449

Type: Spec Sheets Folder

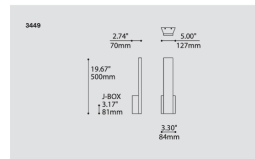
H1

PLATE OUT SINGLE 3449

PROJECT / PROJET
SPEC TYPE
NOTES



OPTIONS

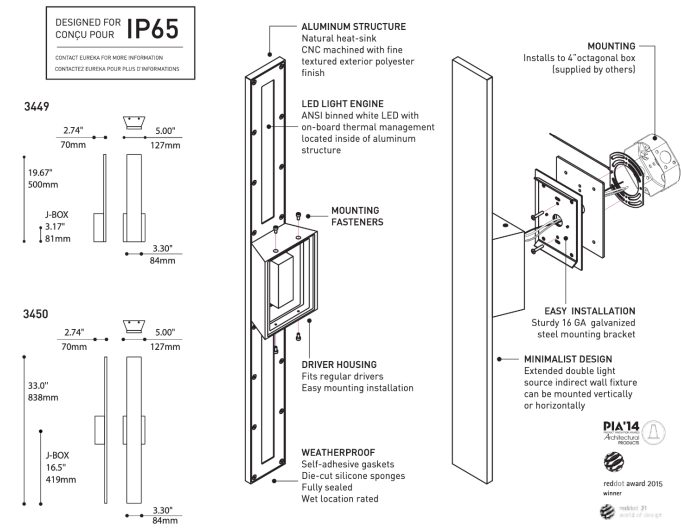


ORDERING SPECIFICATION	SPECIFICATION DE COMMANDE	CODE
MODEL / MODÈLE		3449
3449	PLATE OUT SINGLE	
LIGHT SOURCE / SOURCE LUMINEUSE		
LEAD TIME / DÉLAI	REGULAR OUTPUT / SORTIE NORMALE	
LEAD TIME / DÉLAI	HIGH OUTPUT / SORTIE ÉLEVÉE	
COLOR TEMPERATURE / TEMPÉRATURE DE COULEUR		
27°	2700K	
30	3000K	
35	3500K	
40	4000K	
*LOWER LEAD TIME MAY APPLY PLEASE CONTACT YOUR EUREKA REPRESENTATIVE		
VOLTAGE / VOLTAJE		
180V	180 VOLT	
277V	277 VOLT	
DIMMING OPTION / OPTION DE GRADATION		
DV	0-10V DIMMING (0-10V/0-10V)	
HOUSING / BOÎTIER		
WHE	WHITE FINE TEXTURE	
ANTE	ANTHRACITE FINE TEXTURE	
BLKE	BLACK FINE TEXTURE	

PRODUCT CHARACTERISTICS / CARACTÉRISTIQUES DU PRODUIT

ADA	BIM	DIM	IES	LED	+
DESIGN: Designed for use in corridors and public areas, these wall mounted indirect luminaires are outdoor versions of our Plate and are built to be rugged and withstand the elements. They are available in a classic simple version or with the extended double light source version. Both are ADA compliant and can be used indoors.					
LIGHT SOURCE: Linear LED strip with self-modulating temperature control for an optimal performance and lifetime. Available with standard 0-10V dimming.					
CONSTRUCTION: CNC machined aluminum, die-stamped galvanized steel and four levels of die-cut silicone gaskets for secure weather resistance.					
DIFFUSER: Translucent frosted acrylic.					
CERTIFIED: CSA Listed to US and Canadian safety standards; 20°C ambient and wet locations, IP65 rated.					
CONCEPTION: Conçues pour être utilisées dans les couloirs et espaces publics, ces appliques murales à éclairage indirect sont des versions extérieures de notre Plaque et sont conçues pour être robustes et résister aux intempéries. Elles sont offertes en version simple et en version étendue avec sources lumineuses doubles. Elles sont conformes à la norme ADA et peuvent être installées à l'intérieur.					
SOURCE LUMINEUSE: Bande lumineuse LED, avec autocontrôle de température pour une performance et durée de vie optimales. Offert avec gradation standard 0-10V.					
CONSTRUCTION: Aluminium usiné par commande numérique, acier galvanisé découpé et plié avec les joints d'étanchéité en silicone comprimé pour résister aux intempéries.					
DIFFUSEUR: Acrylique froissé translucide.					
CERTIFIÉ: Homologué CSA aux standards UL, Canada et E.-U. - Température ambiante 25°C et environnements mouillés. Conforme à la norme IP65.					

PLATE OUT 3449/3450



PRODUCT SPECIFICATION	3449 - REG	3449 - HO	3450 - REG	3450 - HO
PERFORMANCE				
SYSTEM WATTAGE	4.9 W	7.3 W	9.9 W	14.6 W
DELIVERED LUMENS (4000K)	384 LM	582 LM	797 LM	1182 LM
EFFICACY	80.4 LM/W	78.9 LM/W	79.5 LM/W	78.9 LM/W
OTHER INFORMATION				
LUMINAIRE'S WEIGHT	6.03 LB (2.73 KG)	6.55 LB (2.97 KG)	8.40 LB (3.84 KG)	8.40 LB (3.84 KG)
L70 (LUMEN MAINTENANCE)	> 60,000 HRS	> 60,000 HRS	> 60,000 HRS	> 60,000 HRS

EFFICACY MULTIPLIERS			LIGHT DISTRIBUTION			
CRI	CCT	FACTOR	3449-REG	3449-HO	3450-REG	3450-HO
80+	4000K	1.00				
80+	3500K	0.98				
80+	3000K	0.94				
80+	2700K	0.91				
90+	4000K	0.88				
90+	3500K	0.85				
90+	3000K	0.81				
90+	2700K	0.77				

EUREKA SPECIFICATION
Eureka Lighting © 2021 www.euralighting.com V1.0-2021.08

EUREKA TECHNICAL DATA
All right reserved and all designs protected by copyrights. Eureka Lighting reserves the right to change or modify specification without notification. V1.0 - 2021.08

MO Max Okst Lighting Design
maxokst@gmail.com
(631) 605-9525
www.maxokst.com

Project: The Edison: An American Bistro
R1: 5/4/22

Fixture Manufacturer: EUREKA

Fixture Model Number: NOVA 3300

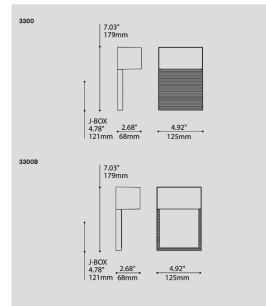
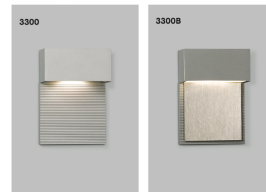
Spec Sheets Folder

Type:

I1

NOVA 3300 / 3300B

PROJECT / PROJET
SPEC TYPE
NOTES



ORDERING SPECIFICATION / SPÉCIFICATION DE COMMANDE	CODE
MODEL / MODÈLE	
3300 NOVA	
3300B NOVA B	
LIGHT SOURCE / SOURCE LUMINEUSE	LED 1
EMITTER / ÉMETTEUR	INX LED
COLOR TEMPERATURE / TEMPÉRATURE DE COULEUR	
30 3000K	
35 3000K	
40 4000K	
VOLTAGE / VOLTAJE	100V
120V 120 VOLT	
STRUCTURE FINISH / FINI STRUCTURE	MG
MG METALLIC GRAY	
DECORATIVE PLATE FINISH / FINI PLAQUE DÉCORATIVE	
SA SATIN ALUMINUM	

PRODUCT CHARACTERISTICS / CARACTÉRISTIQUES DU PRODUIT

ADA LED Classic way-finding fixture can be ordered with custom artwork for orders over ten units.

DESIGN: Energy saving LED standard.
STRUCTURE: Die-cast aluminum structure.
FINISH: Metallic gray powder coated finish.
OPTIC: Standard conical aluminum face plate or smooth polymer face plate (3300B).
CERTIFIED: c-USA us

CONCEPTION: Produit classique de signalisation offert avec des illustrations sur-mesure pour une commande de plus de dix unités.
SOURCE LUMINEUSE: DEL à faible consommation.
STRUCTURE: Structure d'aluminium injectée.
FINI: Revêtement électrostatique gris métallique.
OPTIQUE: Plaque d'aluminium standard conique ou plaque face de polymère (3300B).
CERTIFIÉ: c-USA us



Max Okst Lighting Design

maxokst@gmail.com
 (631) 605-9525
 www.maxokst.com

Project:

The Edison:
 An American Bistro

R1: 5/4/22

Fixture Manufacturer: EUREKA

Fixture Model Number: SCOUT 3049

Spec Sheets Folder

Type:

J1

SCOUT 3049

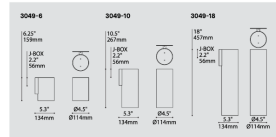
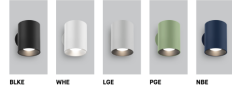
PROJECT PROJET

SPEC TYPE

NOTES



FINISH FINI



ORDERING SPECIFICATION SPÉCIFICATION DE COMMANDE CODE

MODEL	MODELE						
3049-6	SCOUT 6'						
3049-10	SCOUT 10'						
3049-18	SCOUT 18'						
LIGHT SOURCE	SOURCE LUMINEUSE						
LED	REGULABLE OUTPUT						
LED-HO	HIGH OUTPUT						
COLOR TEMPERATURE	TEMPÉRATURE DE COULEUR						
27*	2700K						
30	3000K						
35	3500K						
40	4000K						
	*DIMMER LEAD TIME NOT APPLICABLE. PLEASE CONTACT YOUR EUREKA REPRESENTATIVE.						
COLOR RENDERING INDEX (CRI)	INDICE DE RENDU DE COULEUR (IRC)						
80	80+ CRI						
90*	90+ CRI						
	*DIMMER LEAD TIME NOT APPLICABLE. PLEASE CONTACT YOUR EUREKA REPRESENTATIVE.						
VOLTAGE	VOLTAGE						
120V	120 VOLT						
277V	277 VOLT						
CONTROL OPTION	OPTION DE CONTRÔLE						
DV	0-10V DIMMING (120V-277V)						
DP	PHASE DIMMING (120V ONLY)						
NLIGHT2*	NIGHT WIRE CONTROL, 2-WIRE						
NLIGHT*	NIGHT WIRE CONTROL						
	*LIGHT OPERATION REQUIRES A REMOTE POWER PACK (SUPPLIED TO ALL MODELS) OR DIMMERS FOR NIGHTS.						
	*EMERGENCY BATTERY NOT AVAILABLE IN 18' & 24' HIGHT OPT. CODES.						
	*EMERGENCY BATTERY NOT AVAILABLE IN 18' & 24' HIGHT OPT. CODES.						
	*EMERGENCY BATTERY NOT AVAILABLE IN 18' & 24' HIGHT OPT. CODES.						
EMERGENCY BATTERY	BATTERIE D'URGENCE						
	FOR 10-277V, ON ORDER BOX INCLUDED. INSTALLED REMOTELY. SEE DIM GUIDE FOR DETAILS.						
EMB*	EMERGENCY BATTERY FOR REMOTE BOX						
	*EMERGENCY BATTERY NOT AVAILABLE.						
BEAM ANGLE	ANGLE DE FASCICULE						
NA	NARROW (38°)						
ME	MEDIUM (48°)						
WB	WIDE (60°)						
OPTICAL ACCESSORIES	ACCESSOIRES OPTIQUES						
CLR	CLEAR GLASS LENS						
FRO	FROSTED GLASS LENS						
HON	HONEYCOMB COVER						
SOL	SOFTENING LENS						
CYLINDER FINISH	FINI CYLINDRIQUE						
	CHOOSE FROM FINISHES BASED ON COLOR SELECTION						
BLK	BLACK FINE TEXTURE						
WHT	WHITE FINE TEXTURE						
LGE	LIGHT GREEN FINE TEXTURE						
PGE	PALE GREEN FINE TEXTURE						
NBE	NAVY BLUE FINE TEXTURE						
BLA*	PLEASE SPECIFY PAINT CODE						
	*DIMMER LEAD TIME NOT APPLICABLE. PLEASE CONTACT YOUR EUREKA REPRESENTATIVE.						
BAFFLE FINISH	FINI DÉFLECTEUR						
BLK	BLACK FINE TEXTURE						
WHT	WHITE FINE TEXTURE						
ACCESSORY	ACCESSOIRE						
3B83	DEEP JUNCTION BOX (PROVIDED FOR 3049-6)						
3B83LA	NIGHT WIRE CONTROL REMOTE POWER PACK						
3B83LWA	NIGHT WIRE CONTROL REMOTE POWER PACK						
EMERGENCY BATTERY ACCESSORY	ACCESSOIRE BATTERIE D'URGENCE						
3B81EA	ELECTRICAL BOX FOR EMB EMERGENCY BATTERY						
PRODUCT CHARACTERISTICS	CARACTÉRISTIQUES DU PRODUIT						
BIM	DIM	EMB	IES	LED	!	Wi-Fi	Bluetooth



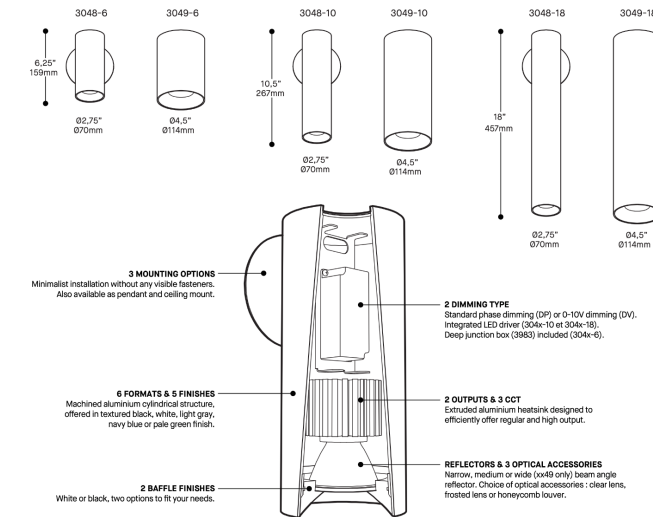
Eureka Lighting © 2022

www.eurekalinghting.com

SPECIFICATION

V4.0 - 2022.03

SCOUT



PRODUCT SPECIFICATION	XX49-NA	XX49-ME	XX49-NA	XX49-ME	XX49-WI	
PERFORMANCE	REG	HO	REG	HO	REG	HO
SYSTEM WATTAGE	9.5W	13.6W	9.5W	13.6W	13.7W	20W
DELIVERED LUMENS (4000K)	1051 LM	1425 LM	1051 LM	1425 LM	1028 LM	2073 LM
EFFICACY	110.6 LM/W	104.7 LM/W	110.6 LM/W	104.7 LM/W	95.4 LM/W	107.4M/W
OTHER INFORMATION						
BEAM ANGLE	24°	30°	30°	30°	48°	64°
LUMINAIRE'S WEIGHT	1.29KG / 1.48KG / 1.81KG	1.29KG / 1.48KG / 1.81KG	1.29KG / 2.09KG / 2.60KG	1.29KG / 2.09KG / 2.60KG	1.29KG / 2.09KG / 2.60KG	1.29KG / 2.09KG / 2.60KG
L70 (LUMEN MAINTENANCE)	2,833,859 / 3,325,859 / 3,999,859	2,833,859 / 3,325,859 / 3,999,859	3,769,859 / 4,598,859 / 5,726,859	3,769,859 / 4,598,859 / 5,726,859	3,769,859 / 4,598,859 / 5,726,859	3,769,859 / 4,598,859 / 5,726,859
EFFICACY MULTIPLIERS						
LIGHT DISTRIBUTION						
CRI	80+	80+	80+	80+	80+	80+
CCT	4000K	4000K	4000K	4000K	4000K	4000K
FACTOR	1.0	0.99	0.97	0.94	0.89	0.86
	3000K	3000K	3000K	3000K	3000K	3000K
	2700K	2700K	2700K	2700K	2700K	2700K
	2700K	2700K	2700K	2700K	2700K	2700K
	2700K	2700K	2700K	2700K	2700K	2700K



Eureka Lighting © 2022

TECHNICAL DATA

All right reserved and all designs protected by copyrights. Eureka Lighting reserves the right to change or modify specification without notification.

V1.0 - 2021.06

Max Okst Lighting Design

MO

maxokst@gmail.com
(631) 605-9525
www.maxokst.com

Project:

The Edison:
An American Bistro

R1: 5/4/22