

QUANTUM Hardware

2018



Hinges &
Drawer Slides

Concealed Hinges	2
General EU Type	2
General US Type	10
Mini Hinges	14
Glass Hinges	15
Metal Frame Hinges	16
Special Hinges	17
Self-Closing Hinges	23
Damping Buffers	24
Ball Bearing Slides	25
Keyboard Slides	44
Drawer Slides	45

HG-204

General EU Type Hinge Series 110° Opening Angle One Way



Depth of Hinge Cup: **11.3 mm**
 Diameter of Hinge Cup: **35 mm**
 Face Panel (K) Measurement: **3 – 7 mm**
 Recommended Plank Thickness: **14 – 23 mm**

Type of Hinge Cup (steel)

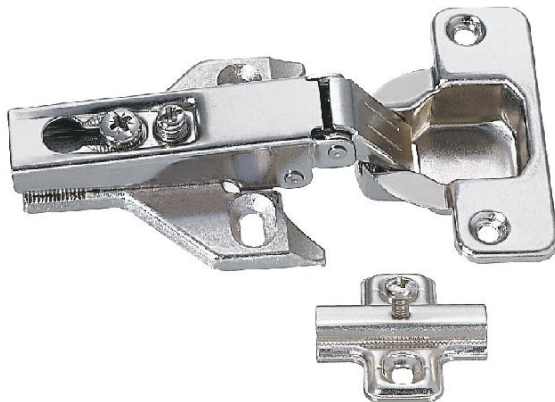
with self-tapping screw with M8 dowel with M10 dowel with euro screw

<p>HG-204-A (Full Cover)</p>		<p>$H=15+K-D$</p> <table border="1"> <thead> <tr> <th>D \ H \ K</th> <th>3</th> <th>4</th> <th>5</th> <th>6</th> <th>7</th> </tr> </thead> <tbody> <tr> <th>0</th> <td>18</td> <td>19</td> <td>20</td> <td>21</td> <td>22</td> </tr> <tr> <th>2</th> <td>16</td> <td>17</td> <td>18</td> <td>18</td> <td>20</td> </tr> <tr> <th>4</th> <td>14</td> <td>15</td> <td>16</td> <td>16</td> <td>18</td> </tr> </tbody> </table>	D \ H \ K	3	4	5	6	7	0	18	19	20	21	22	2	16	17	18	18	20	4	14	15	16	16	18	
D \ H \ K	3	4	5	6	7																						
0	18	19	20	21	22																						
2	16	17	18	18	20																						
4	14	15	16	16	18																						
<p>HG-204-B (Half Cover)</p>		<p>$H=6+K-D$</p> <table border="1"> <thead> <tr> <th>D \ H \ K</th> <th>3</th> <th>4</th> <th>5</th> <th>6</th> <th>7</th> </tr> </thead> <tbody> <tr> <th>0</th> <td>10</td> <td>11</td> <td>12</td> <td>13</td> <td>14</td> </tr> <tr> <th>2</th> <td>8</td> <td>9</td> <td>10</td> <td>11</td> <td>12</td> </tr> <tr> <th>4</th> <td>6</td> <td>7</td> <td>8</td> <td>9</td> <td>10</td> </tr> </tbody> </table>	D \ H \ K	3	4	5	6	7	0	10	11	12	13	14	2	8	9	10	11	12	4	6	7	8	9	10	
D \ H \ K	3	4	5	6	7																						
0	10	11	12	13	14																						
2	8	9	10	11	12																						
4	6	7	8	9	10																						
<p>HG-204-C (Insert)</p>		<p>$H=-3+K+A$</p> <table border="1"> <thead> <tr> <th>D \ H \ K</th> <th>3</th> <th>4</th> <th>5</th> <th>6</th> <th>7</th> </tr> </thead> <tbody> <tr> <th>0</th> <td>-1</td> <td>-2</td> <td>-3</td> <td>-4</td> <td>-5</td> </tr> <tr> <th>2</th> <td>1</td> <td>0</td> <td>-1</td> <td>-2</td> <td>-3</td> </tr> <tr> <th>4</th> <td>3</td> <td>2</td> <td>1</td> <td>0</td> <td>-1</td> </tr> </tbody> </table>	D \ H \ K	3	4	5	6	7	0	-1	-2	-3	-4	-5	2	1	0	-1	-2	-3	4	3	2	1	0	-1	
D \ H \ K	3	4	5	6	7																						
0	-1	-2	-3	-4	-5																						
2	1	0	-1	-2	-3																						
4	3	2	1	0	-1																						

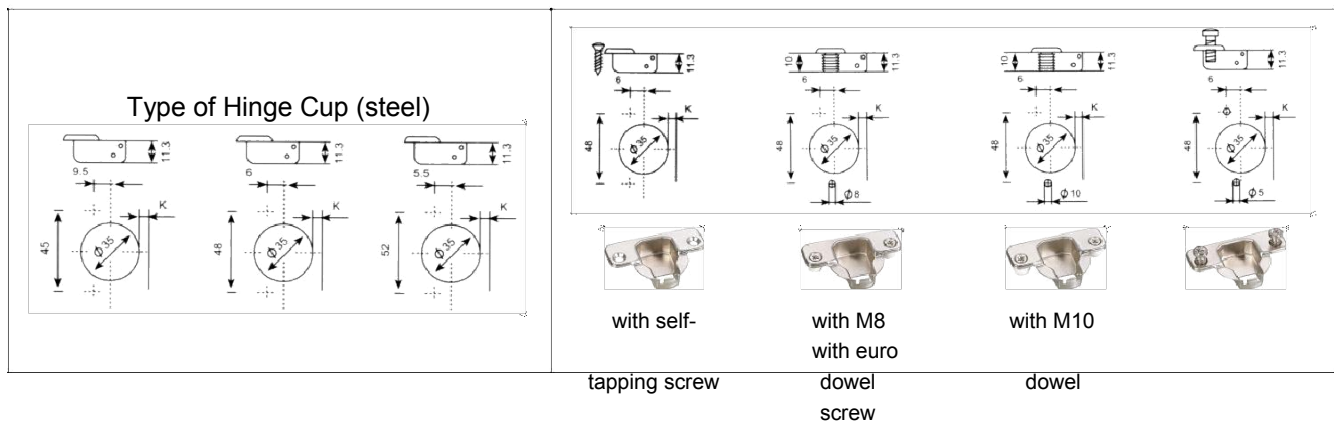
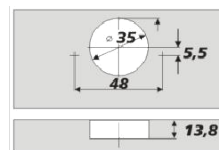
Not available in stock! Place order.


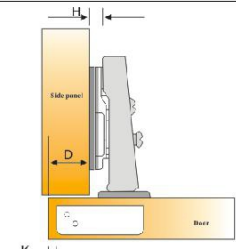
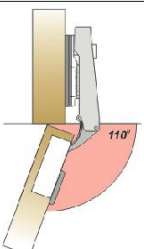

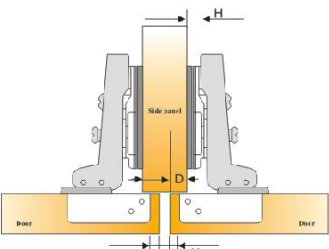
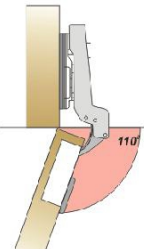

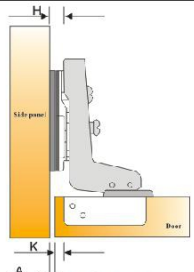
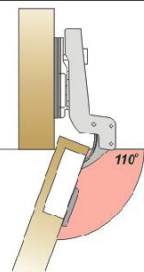
HG-280

General EU Type Hinge Series 110° Opening Angle Two Way



Depth of Hinge Cup: **11.3 mm**
Diameter of Hinge Cup: **35 mm**
Face Panel (K) Measurement: **3 – 7 mm**
Recommended Plank Thickness: **14 – 23 mm**



<p>HG-280A (Full Cover)</p> 		<p>$H=15+K-D$</p> <table border="1" data-bbox="1033 192 1344 351"> <thead> <tr> <th>D \ H \ K</th> <th>3</th> <th>4</th> <th>5</th> <th>6</th> <th>7</th> </tr> </thead> <tbody> <tr> <td>0</td> <td>18</td> <td>19</td> <td>20</td> <td>21</td> <td>22</td> </tr> <tr> <td>2</td> <td>16</td> <td>17</td> <td>18</td> <td>18</td> <td>20</td> </tr> <tr> <td>4</td> <td>14</td> <td>15</td> <td>16</td> <td>16</td> <td>18</td> </tr> </tbody> </table>	D \ H \ K	3	4	5	6	7	0	18	19	20	21	22	2	16	17	18	18	20	4	14	15	16	16	18	
D \ H \ K	3	4	5	6	7																						
0	18	19	20	21	22																						
2	16	17	18	18	20																						
4	14	15	16	16	18																						
<p>HG-280B (Half Cover)</p> 		<p>$H=6+K-D$</p> <table border="1" data-bbox="1033 464 1344 623"> <thead> <tr> <th>D \ H \ K</th> <th>3</th> <th>4</th> <th>5</th> <th>6</th> <th>7</th> </tr> </thead> <tbody> <tr> <td>0</td> <td>10</td> <td>11</td> <td>12</td> <td>13</td> <td>14</td> </tr> <tr> <td>2</td> <td>8</td> <td>9</td> <td>10</td> <td>11</td> <td>12</td> </tr> <tr> <td>4</td> <td>6</td> <td>7</td> <td>8</td> <td>9</td> <td>10</td> </tr> </tbody> </table>	D \ H \ K	3	4	5	6	7	0	10	11	12	13	14	2	8	9	10	11	12	4	6	7	8	9	10	
D \ H \ K	3	4	5	6	7																						
0	10	11	12	13	14																						
2	8	9	10	11	12																						
4	6	7	8	9	10																						
<p>HG-280C (Insert)</p> 		<p>$H=-3+K+A$</p> <table border="1" data-bbox="1033 748 1344 907"> <thead> <tr> <th>D \ H \ K</th> <th>3</th> <th>4</th> <th>5</th> <th>6</th> <th>7</th> </tr> </thead> <tbody> <tr> <td>0</td> <td>-1</td> <td>-2</td> <td>-3</td> <td>-4</td> <td>-5</td> </tr> <tr> <td>2</td> <td>1</td> <td>0</td> <td>-1</td> <td>-2</td> <td>-3</td> </tr> <tr> <td>4</td> <td>3</td> <td>2</td> <td>1</td> <td>0</td> <td>-1</td> </tr> </tbody> </table>	D \ H \ K	3	4	5	6	7	0	-1	-2	-3	-4	-5	2	1	0	-1	-2	-3	4	3	2	1	0	-1	
D \ H \ K	3	4	5	6	7																						
0	-1	-2	-3	-4	-5																						
2	1	0	-1	-2	-3																						
4	3	2	1	0	-1																						

Not available in stock! Place order.

3

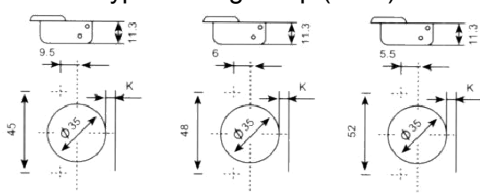
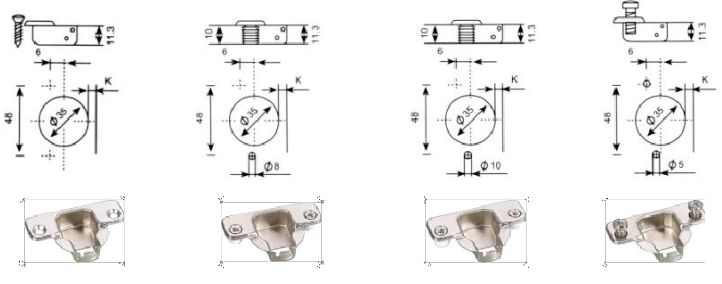
www.quantum-hardware.com

HG-201

General EU Type Hinge Series 110° Opening Angle Two Way Slide-On




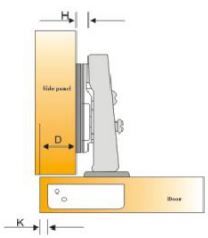
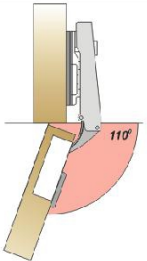

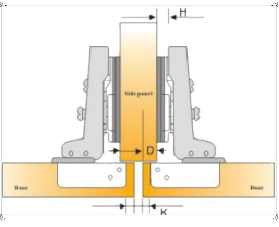
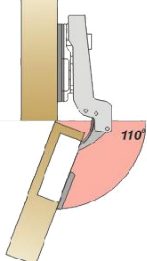

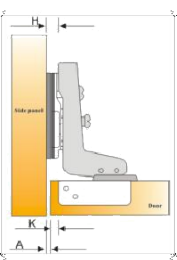
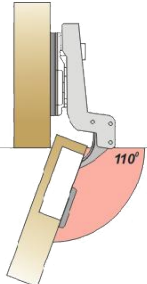
Depth of Hinge Cup: **11.3 mm**
 Diameter of Hinge Cup: **35 mm**
 Face Panel (K) Measurement: **3 – 7 mm**
 Recommended Plank Thickness: **14 – 23 mm**

<p>Type of Hinge Cup (steel)</p> 	 <p>with self with M8 with M10 with euro</p>
--	---

tapping screw

dowel
screw

dowel

<p>HG-201-A (Full Cover)</p> 		<p>$H=15+K-D$</p> <table border="1" data-bbox="1038 328 1370 487"> <thead> <tr> <th>D \ H \ K</th> <th>3</th> <th>4</th> <th>5</th> <th>6</th> <th>7</th> </tr> </thead> <tbody> <tr> <th>0</th> <td>18</td> <td>19</td> <td>20</td> <td>21</td> <td>22</td> </tr> <tr> <th>2</th> <td>16</td> <td>17</td> <td>18</td> <td>18</td> <td>20</td> </tr> <tr> <th>4</th> <td>14</td> <td>15</td> <td>16</td> <td>16</td> <td>18</td> </tr> </tbody> </table>	D \ H \ K	3	4	5	6	7	0	18	19	20	21	22	2	16	17	18	18	20	4	14	15	16	16	18	
D \ H \ K	3	4	5	6	7																						
0	18	19	20	21	22																						
2	16	17	18	18	20																						
4	14	15	16	16	18																						
<p>HG-201-B (Half Cover)</p> 		<p>$H=6+K-D$</p> <table border="1" data-bbox="1038 601 1370 759"> <thead> <tr> <th>D \ H \ K</th> <th>3</th> <th>4</th> <th>5</th> <th>6</th> <th>7</th> </tr> </thead> <tbody> <tr> <th>0</th> <td>10</td> <td>11</td> <td>12</td> <td>13</td> <td>14</td> </tr> <tr> <th>2</th> <td>8</td> <td>9</td> <td>10</td> <td>11</td> <td>12</td> </tr> <tr> <th>4</th> <td>6</td> <td>7</td> <td>8</td> <td>9</td> <td>10</td> </tr> </tbody> </table>	D \ H \ K	3	4	5	6	7	0	10	11	12	13	14	2	8	9	10	11	12	4	6	7	8	9	10	
D \ H \ K	3	4	5	6	7																						
0	10	11	12	13	14																						
2	8	9	10	11	12																						
4	6	7	8	9	10																						
<p>HG-201-C (Insert)</p> 		<p>$H=-3+K+A$</p> <table border="1" data-bbox="1038 895 1370 1054"> <thead> <tr> <th>D \ H \ K</th> <th>3</th> <th>4</th> <th>5</th> <th>6</th> <th>7</th> </tr> </thead> <tbody> <tr> <th>0</th> <td>-1</td> <td>-2</td> <td>-3</td> <td>-4</td> <td>-5</td> </tr> <tr> <th>2</th> <td>1</td> <td>0</td> <td>-1</td> <td>-2</td> <td>-3</td> </tr> <tr> <th>4</th> <td>3</td> <td>2</td> <td>1</td> <td>0</td> <td>-1</td> </tr> </tbody> </table>	D \ H \ K	3	4	5	6	7	0	-1	-2	-3	-4	-5	2	1	0	-1	-2	-3	4	3	2	1	0	-1	
D \ H \ K	3	4	5	6	7																						
0	-1	-2	-3	-4	-5																						
2	1	0	-1	-2	-3																						
4	3	2	1	0	-1																						

www.quantum-hardware.com



Depth of Hinge Cup: **11.3 mm**
 Diameter of Hinge Cup: **35 mm**
 Face Panel (K) Measurement: **3 – 7 mm**
 Recommended Plank Thickness: **14 – 23 mm**

Type of Hinge Cup (steel)

with self-tapping screw with M8 dowel with M10 dowel with euro screw

<p>HG-6201-A (Full Cover)</p>		<p>$H = 15 + K - D$</p> <table border="1"> <thead> <tr> <th>D \ H \ K</th> <th>3</th> <th>4</th> <th>5</th> <th>6</th> <th>7</th> </tr> </thead> <tbody> <tr> <td>0</td> <td>18</td> <td>19</td> <td>20</td> <td>21</td> <td>22</td> </tr> <tr> <td>2</td> <td>16</td> <td>17</td> <td>18</td> <td>18</td> <td>20</td> </tr> <tr> <td>4</td> <td>14</td> <td>15</td> <td>16</td> <td>16</td> <td>18</td> </tr> </tbody> </table>	D \ H \ K	3	4	5	6	7	0	18	19	20	21	22	2	16	17	18	18	20	4	14	15	16	16	18	
D \ H \ K	3	4	5	6	7																						
0	18	19	20	21	22																						
2	16	17	18	18	20																						
4	14	15	16	16	18																						
<p>HG-6201-B (Half Cover)</p>		<p>$H = 6 + K - D$</p> <table border="1"> <thead> <tr> <th>D \ H \ K</th> <th>3</th> <th>4</th> <th>5</th> <th>6</th> <th>7</th> </tr> </thead> <tbody> <tr> <td>0</td> <td>10</td> <td>11</td> <td>12</td> <td>13</td> <td>14</td> </tr> <tr> <td>2</td> <td>8</td> <td>9</td> <td>10</td> <td>11</td> <td>12</td> </tr> <tr> <td>4</td> <td>6</td> <td>7</td> <td>8</td> <td>9</td> <td>10</td> </tr> </tbody> </table>	D \ H \ K	3	4	5	6	7	0	10	11	12	13	14	2	8	9	10	11	12	4	6	7	8	9	10	
D \ H \ K	3	4	5	6	7																						
0	10	11	12	13	14																						
2	8	9	10	11	12																						
4	6	7	8	9	10																						
<p>HG-6201-C (Insert)</p>		<p>$H = -3 + K + A$</p> <table border="1"> <thead> <tr> <th>D \ H \ K</th> <th>3</th> <th>4</th> <th>5</th> <th>6</th> <th>7</th> </tr> </thead> <tbody> <tr> <td>0</td> <td>-1</td> <td>-2</td> <td>-3</td> <td>-4</td> <td>-5</td> </tr> <tr> <td>2</td> <td>1</td> <td>0</td> <td>-1</td> <td>-2</td> <td>-3</td> </tr> <tr> <td>4</td> <td>3</td> <td>2</td> <td>1</td> <td>0</td> <td>-1</td> </tr> </tbody> </table>	D \ H \ K	3	4	5	6	7	0	-1	-2	-3	-4	-5	2	1	0	-1	-2	-3	4	3	2	1	0	-1	
D \ H \ K	3	4	5	6	7																						
0	-1	-2	-3	-4	-5																						
2	1	0	-1	-2	-3																						
4	3	2	1	0	-1																						

Depth of Hinge Cup: **11.3 mm**
 Diameter of Hinge Cup: **35 mm**
 Face Panel (K) Measurement: **3 – 7 mm**
 Recommended Plank Thickness: **14 – 23 mm**



Type of Hinge Cup (steel)

with self-tapping screw with M8 dowel with M10 dowel with euro screw

<p>HG-6301-A (Full Cover)</p>		<p>$H=15+K-D$</p> <table border="1"> <thead> <tr> <th>D \ H \ K</th> <th>3</th> <th>4</th> <th>5</th> <th>6</th> <th>7</th> </tr> </thead> <tbody> <tr> <th>0</th> <td>18</td> <td>19</td> <td>20</td> <td>21</td> <td>22</td> </tr> <tr> <th>2</th> <td>16</td> <td>17</td> <td>18</td> <td>18</td> <td>20</td> </tr> <tr> <th>4</th> <td>14</td> <td>15</td> <td>16</td> <td>16</td> <td>18</td> </tr> </tbody> </table>	D \ H \ K	3	4	5	6	7	0	18	19	20	21	22	2	16	17	18	18	20	4	14	15	16	16	18	
D \ H \ K	3	4	5	6	7																						
0	18	19	20	21	22																						
2	16	17	18	18	20																						
4	14	15	16	16	18																						
<p>HG-6301-B (Half Cover)</p>		<p>$H=6+K-D$</p> <table border="1"> <thead> <tr> <th>D \ H \ K</th> <th>3</th> <th>4</th> <th>5</th> <th>6</th> <th>7</th> </tr> </thead> <tbody> <tr> <th>0</th> <td>10</td> <td>11</td> <td>12</td> <td>13</td> <td>14</td> </tr> <tr> <th>2</th> <td>8</td> <td>9</td> <td>10</td> <td>11</td> <td>12</td> </tr> <tr> <th>4</th> <td>6</td> <td>7</td> <td>8</td> <td>9</td> <td>10</td> </tr> </tbody> </table>	D \ H \ K	3	4	5	6	7	0	10	11	12	13	14	2	8	9	10	11	12	4	6	7	8	9	10	
D \ H \ K	3	4	5	6	7																						
0	10	11	12	13	14																						
2	8	9	10	11	12																						
4	6	7	8	9	10																						
<p>HG-6301-C (Insert)</p>		<p>$H=-3+K+A$</p> <table border="1"> <thead> <tr> <th>D \ H \ K</th> <th>3</th> <th>4</th> <th>5</th> <th>6</th> <th>7</th> </tr> </thead> <tbody> <tr> <th>0</th> <td>-1</td> <td>-2</td> <td>-3</td> <td>-4</td> <td>-5</td> </tr> <tr> <th>2</th> <td>1</td> <td>0</td> <td>-1</td> <td>-2</td> <td>-3</td> </tr> <tr> <th>4</th> <td>3</td> <td>2</td> <td>1</td> <td>0</td> <td>-1</td> </tr> </tbody> </table>	D \ H \ K	3	4	5	6	7	0	-1	-2	-3	-4	-5	2	1	0	-1	-2	-3	4	3	2	1	0	-1	
D \ H \ K	3	4	5	6	7																						
0	-1	-2	-3	-4	-5																						
2	1	0	-1	-2	-3																						
4	3	2	1	0	-1																						

HG-997

General EU Type Clip-On Hinge Series 110° Opening Angle Hydraulic Buffering



Depth of Hinge Cup: **11.3 mm**
 Diameter of Hinge Cup: **35 mm**
 Face Panel (K) Measurement: **3– 17 mm**
 Recommended Plank Thickness: **14 – 23 mm**



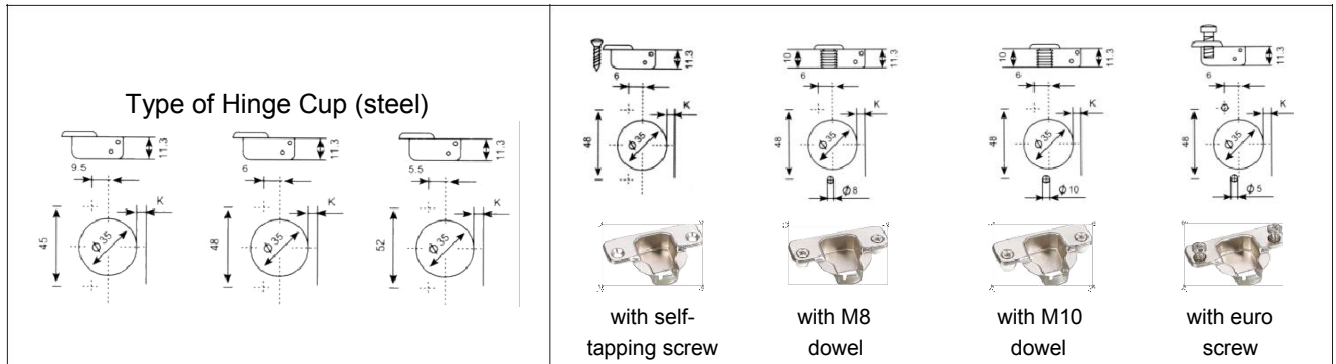
Model	Diagram	Equation	Table	Angle																								
HG-997-A (Full Cover)		$H=15+K-D$	<table border="1"> <thead> <tr> <th>D \ H \ K</th> <th>3</th> <th>4</th> <th>5</th> <th>6</th> <th>7</th> </tr> </thead> <tbody> <tr> <th>0</th> <td>18</td> <td>19</td> <td>20</td> <td>21</td> <td>22</td> </tr> <tr> <th>2</th> <td>16</td> <td>17</td> <td>18</td> <td>18</td> <td>20</td> </tr> <tr> <th>4</th> <td>14</td> <td>15</td> <td>16</td> <td>16</td> <td>18</td> </tr> </tbody> </table>	D \ H \ K	3	4	5	6	7	0	18	19	20	21	22	2	16	17	18	18	20	4	14	15	16	16	18	110°
D \ H \ K	3	4	5	6	7																							
0	18	19	20	21	22																							
2	16	17	18	18	20																							
4	14	15	16	16	18																							
HG-997-B (Half Cover)		$H=6+K-D$	<table border="1"> <thead> <tr> <th>D \ H \ K</th> <th>3</th> <th>4</th> <th>5</th> <th>6</th> <th>7</th> </tr> </thead> <tbody> <tr> <th>0</th> <td>10</td> <td>11</td> <td>12</td> <td>13</td> <td>14</td> </tr> <tr> <th>2</th> <td>8</td> <td>9</td> <td>10</td> <td>11</td> <td>12</td> </tr> <tr> <th>4</th> <td>6</td> <td>7</td> <td>8</td> <td>9</td> <td>10</td> </tr> </tbody> </table>	D \ H \ K	3	4	5	6	7	0	10	11	12	13	14	2	8	9	10	11	12	4	6	7	8	9	10	110°
D \ H \ K	3	4	5	6	7																							
0	10	11	12	13	14																							
2	8	9	10	11	12																							
4	6	7	8	9	10																							
HG-997-C (Insert)		$H=-3+K+A$	<table border="1"> <thead> <tr> <th>D \ H \ K</th> <th>3</th> <th>4</th> <th>5</th> <th>6</th> <th>7</th> </tr> </thead> <tbody> <tr> <th>0</th> <td>-1</td> <td>-2</td> <td>-3</td> <td>-4</td> <td>-5</td> </tr> <tr> <th>2</th> <td>1</td> <td>0</td> <td>-1</td> <td>-2</td> <td>-3</td> </tr> <tr> <th>4</th> <td>3</td> <td>2</td> <td>1</td> <td>0</td> <td>-1</td> </tr> </tbody> </table>	D \ H \ K	3	4	5	6	7	0	-1	-2	-3	-4	-5	2	1	0	-1	-2	-3	4	3	2	1	0	-1	110°
D \ H \ K	3	4	5	6	7																							
0	-1	-2	-3	-4	-5																							
2	1	0	-1	-2	-3																							
4	3	2	1	0	-1																							

HG-012

General EU Type Smooth Motion Hinge Series 92° Opening Angle Hydraulic Buffering



Depth of Hinge Cup: **11.3 mm**
 Diameter of Hinge Cup: **35 mm**
 Face Panel (K) Measurement: **3 – 17 mm**
 Recommended Plank Thickness: **14 – 23 mm**



<p>HG-012A (Full Cover C=0mm)</p>		<p>$H=15+K-D$</p> <table border="1"> <tr> <td>$\frac{D}{H \setminus K}$</td> <td>3</td> <td>4</td> <td>5</td> <td>6</td> <td>7</td> </tr> <tr> <td>0</td> <td>18</td> <td>19</td> <td>20</td> <td>21</td> <td>22</td> </tr> </table>	$\frac{D}{H \setminus K}$	3	4	5	6	7	0	18	19	20	21	22	
$\frac{D}{H \setminus K}$	3	4	5	6	7										
0	18	19	20	21	22										
<p>HG-012B (Half Cover C=8mm)</p>		<p>$H=7+K-D$</p> <table border="1"> <tr> <td>$\frac{D}{H \setminus K}$</td> <td>3</td> <td>4</td> <td>5</td> <td>6</td> <td>7</td> </tr> <tr> <td>0</td> <td>12</td> <td>13</td> <td>14</td> <td>15</td> <td>16</td> </tr> </table>	$\frac{D}{H \setminus K}$	3	4	5	6	7	0	12	13	14	15	16	
$\frac{D}{H \setminus K}$	3	4	5	6	7										
0	12	13	14	15	16										
<p>HG-012C (Insert C=15mm)</p>		<p>$H=2+K+A$</p> <table border="1"> <tr> <td>$\frac{D}{H \setminus K}$</td> <td>3</td> <td>4</td> <td>5</td> <td>6</td> <td>7</td> </tr> <tr> <td>0</td> <td>-1</td> <td>-2</td> <td>-3</td> <td>-4</td> <td>-5</td> </tr> </table>	$\frac{D}{H \setminus K}$	3	4	5	6	7	0	-1	-2	-3	-4	-5	
$\frac{D}{H \setminus K}$	3	4	5	6	7										
0	-1	-2	-3	-4	-5										

HG-205

General EU Type Slide-On Hinge Series 165° Opening Angle Two Way

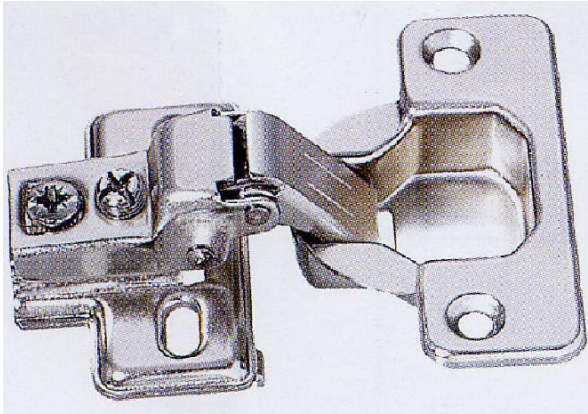


Depth of Hinge Cup: **11.3 mm**
 Diameter of Hinge Cup: **35 mm**
 Face Panel (K) Measurement: **3 – 8 mm**
 Recommended Plank Thickness: **14 – 25 mm**

Type of Hinge Cup (steel)

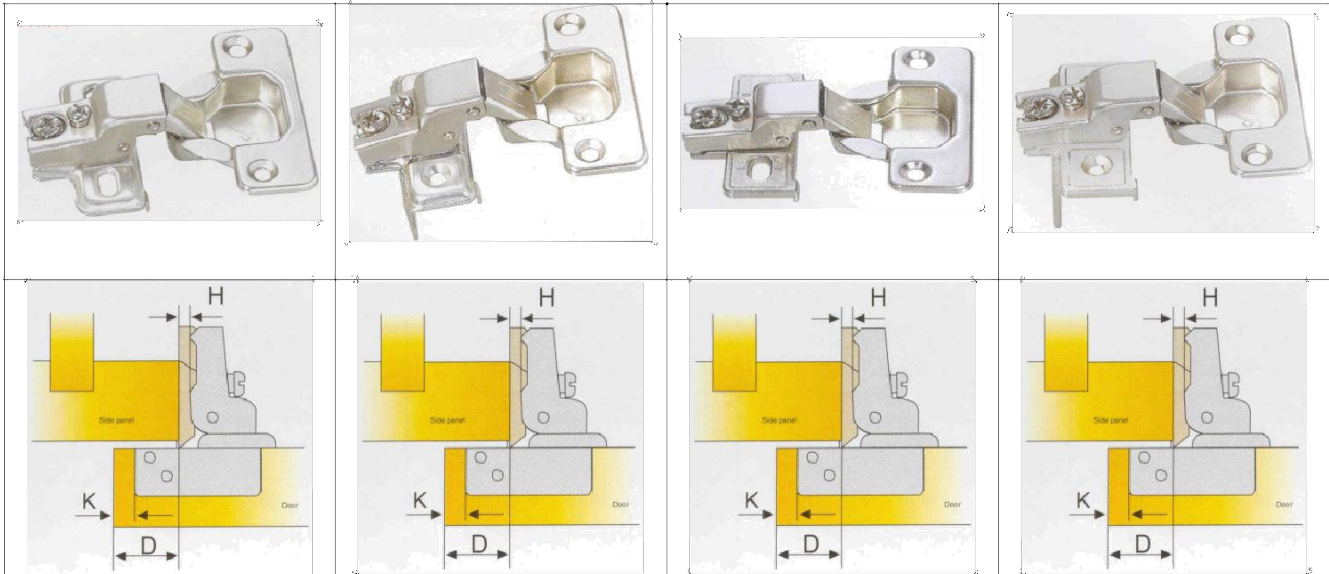
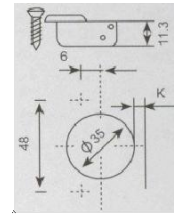
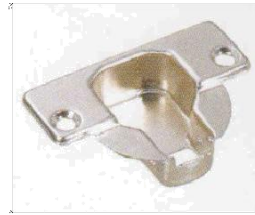
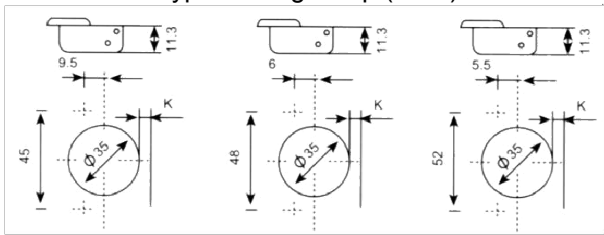
with self-tapping screw with M8 dowel with M10 dowel with euro screw

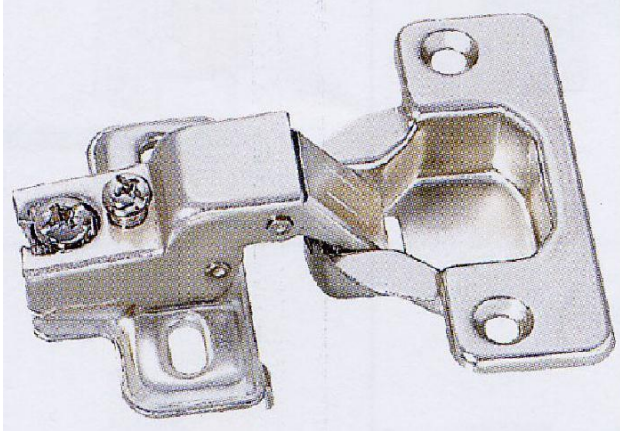
<p>HG-205-A (Full Cover)</p>		<p>$H=14+K-D$</p> <table border="1"> <thead> <tr> <th>D \ H</th> <th>3</th> <th>4</th> <th>5</th> <th>6</th> <th>7</th> <th>8</th> </tr> </thead> <tbody> <tr> <td>-2</td> <td>20</td> <td>21</td> <td>22</td> <td>23</td> <td>24</td> <td>25</td> </tr> <tr> <td>0</td> <td>18</td> <td>19</td> <td>20</td> <td>21</td> <td>22</td> <td>23</td> </tr> <tr> <td>2</td> <td>16</td> <td>17</td> <td>18</td> <td>19</td> <td>20</td> <td>21</td> </tr> <tr> <td>4</td> <td>14</td> <td>15</td> <td>16</td> <td>16</td> <td>18</td> <td>19</td> </tr> </tbody> </table>	D \ H	3	4	5	6	7	8	-2	20	21	22	23	24	25	0	18	19	20	21	22	23	2	16	17	18	19	20	21	4	14	15	16	16	18	19	
D \ H	3	4	5	6	7	8																																
-2	20	21	22	23	24	25																																
0	18	19	20	21	22	23																																
2	16	17	18	19	20	21																																
4	14	15	16	16	18	19																																
<p>HG-205-B (Half Cover)</p>		<p>$H=5+K-D$</p> <table border="1"> <thead> <tr> <th>D \ H</th> <th>3</th> <th>4</th> <th>5</th> <th>6</th> <th>7</th> <th>8</th> </tr> </thead> <tbody> <tr> <td>-2</td> <td>12</td> <td>13</td> <td>14</td> <td>15</td> <td>16</td> <td>17</td> </tr> <tr> <td>0</td> <td>10</td> <td>11</td> <td>12</td> <td>13</td> <td>14</td> <td>15</td> </tr> <tr> <td>2</td> <td>8</td> <td>9</td> <td>10</td> <td>11</td> <td>12</td> <td>13</td> </tr> <tr> <td>4</td> <td>6</td> <td>7</td> <td>8</td> <td>9</td> <td>10</td> <td>11</td> </tr> </tbody> </table>	D \ H	3	4	5	6	7	8	-2	12	13	14	15	16	17	0	10	11	12	13	14	15	2	8	9	10	11	12	13	4	6	7	8	9	10	11	
D \ H	3	4	5	6	7	8																																
-2	12	13	14	15	16	17																																
0	10	11	12	13	14	15																																
2	8	9	10	11	12	13																																
4	6	7	8	9	10	11																																
<p>HG-205-C (Insert)</p>		<p>$H=-3+K+A$</p> <table border="1"> <thead> <tr> <th>D \ H</th> <th>3</th> <th>4</th> <th>5</th> <th>6</th> <th>7</th> </tr> </thead> <tbody> <tr> <td>0</td> <td>-1</td> <td>-2</td> <td>-3</td> <td>-4</td> <td>-5</td> </tr> <tr> <td>2</td> <td>1</td> <td>0</td> <td>-1</td> <td>-2</td> <td>-3</td> </tr> <tr> <td>4</td> <td>3</td> <td>2</td> <td>1</td> <td>0</td> <td>-1</td> </tr> </tbody> </table>	D \ H	3	4	5	6	7	0	-1	-2	-3	-4	-5	2	1	0	-1	-2	-3	4	3	2	1	0	-1												
D \ H	3	4	5	6	7																																	
0	-1	-2	-3	-4	-5																																	
2	1	0	-1	-2	-3																																	
4	3	2	1	0	-1																																	



Depth of Hinge Cup: **11.3 mm**
 Diameter of Hinge Cup: **35 mm**
 Face Panel (K) Measurement: **3 – 7 mm**
 Recommended Plank Thickness: **3/4"**

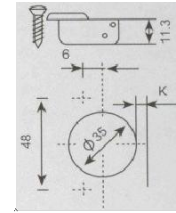
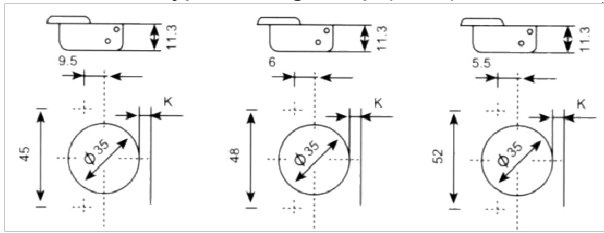
Type of Hinge Cup (steel)



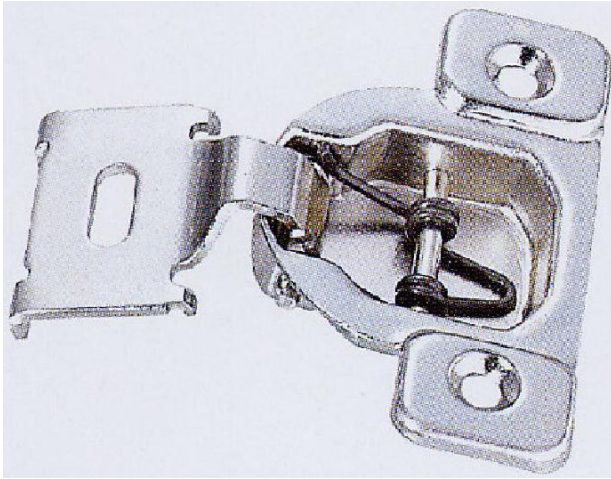


Depth of Hinge Cup: **11.3 mm**
 Diameter of Hinge Cup: **35 mm**
 Face Panel (K) Measurement: **3 – 7 mm**
 Recommended Plank Thickness: **3/4"**

Type of Hinge Cup (steel)

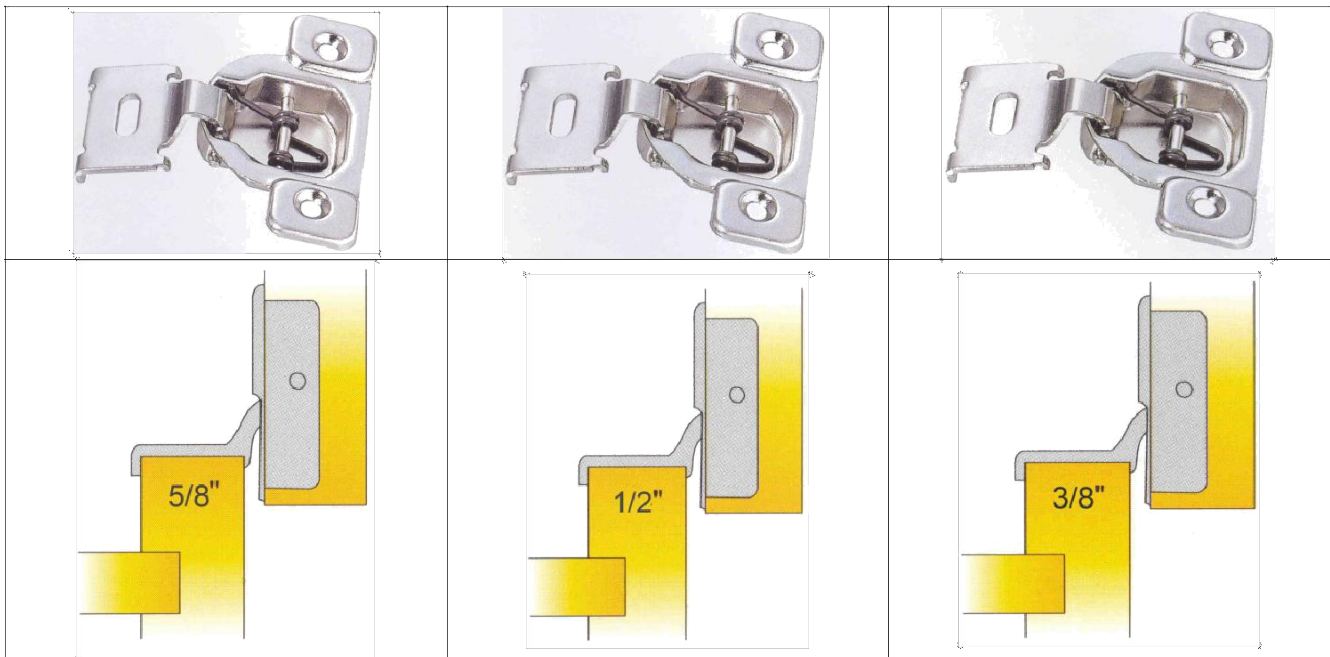
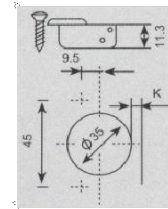
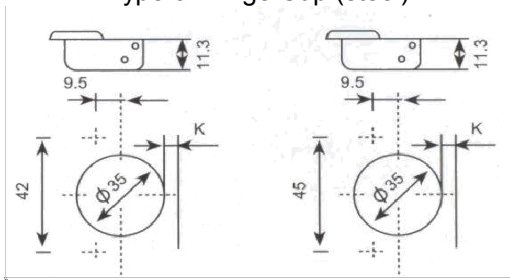


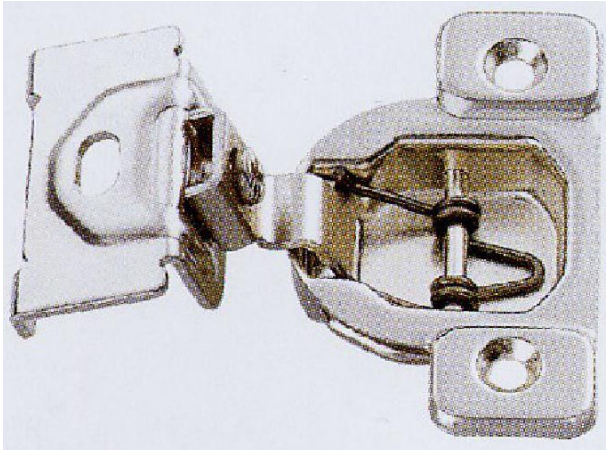
		Zinc alloy	Zinc alloy



Depth of Hinge Cup: **11.3 mm**
 Diameter of Hinge Cup: **35 mm**
 Face Panel (K) Measurement: **3 – 5 mm**
 Recommended Plank Thickness: **5/8", 1/2", 3/8"**

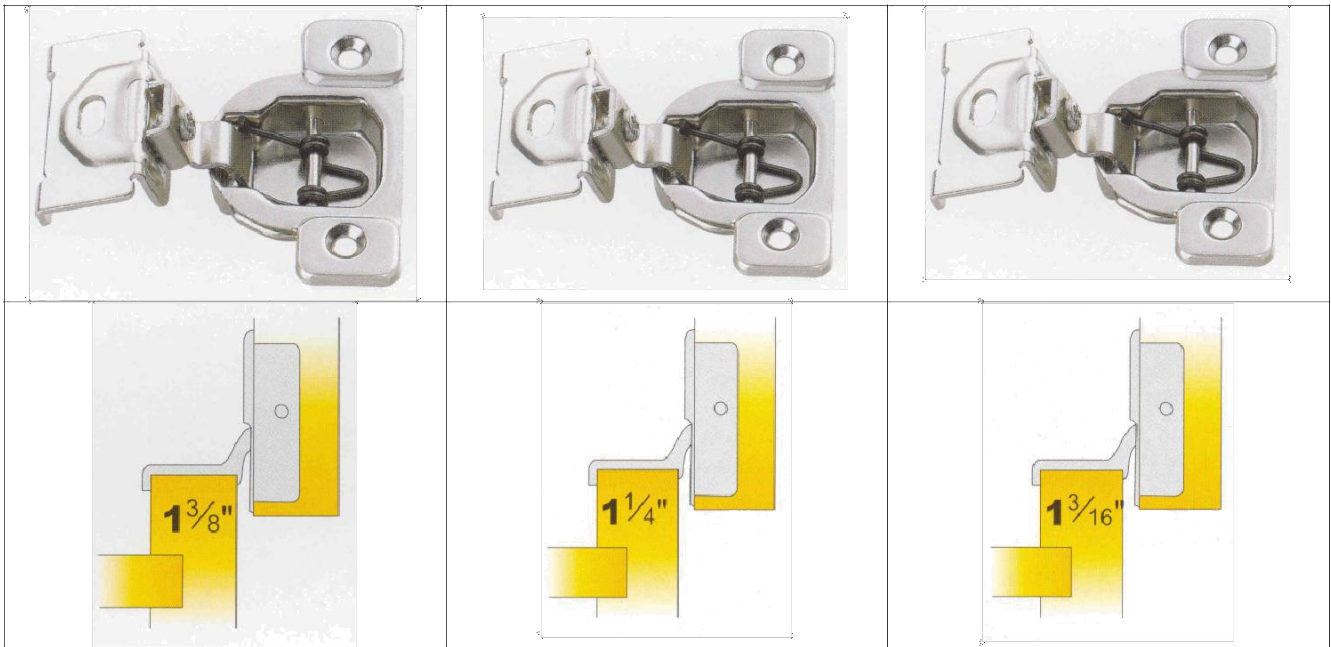
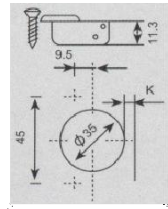
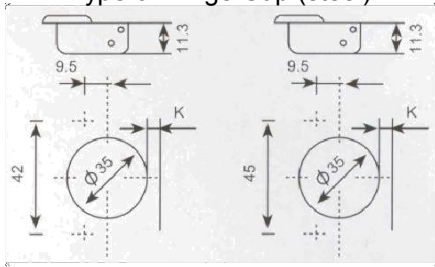
Type of Hinge Cup (steel)





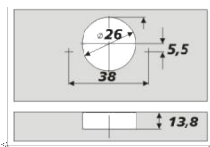
Depth of Hinge Cup: **11.3 mm**
 Diameter of Hinge Cup: **35 mm**
 Face Panel (K) Measurement: **3 – 5 mm**
 Recommended Plank Thickness:
 1 1/4", 1 3/8", 1 3/16"

Type of Hinge Cup (steel)





Depth of Hinge Cup: **11.3 mm**
 Diameter of Hinge Cup: **26 mm**
 Face Panel (K) Measurement: **3 – 7 mm**
 Recommended Plank Thickness: **14 – 23 mm**



Type of Hinge Cup (steel)

with self-tapping screw with M8 dowel with M10 dowel with euro screw

<p>HG-2603A (Full Cover)</p>		<p>$H=15+K-D$</p> <table border="1"> <thead> <tr> <th>D \ H \ K</th> <th>3</th> <th>4</th> <th>5</th> <th>6</th> <th>7</th> </tr> </thead> <tbody> <tr> <th>0</th> <td>18</td> <td>19</td> <td>20</td> <td>21</td> <td>22</td> </tr> <tr> <th>2</th> <td>16</td> <td>17</td> <td>18</td> <td>18</td> <td>20</td> </tr> <tr> <th>4</th> <td>14</td> <td>15</td> <td>16</td> <td>16</td> <td>18</td> </tr> </tbody> </table>	D \ H \ K	3	4	5	6	7	0	18	19	20	21	22	2	16	17	18	18	20	4	14	15	16	16	18				
D \ H \ K	3	4	5	6	7																									
0	18	19	20	21	22																									
2	16	17	18	18	20																									
4	14	15	16	16	18																									
<p>HG-2603B (Half Cover)</p>		<p>$H=6+K-D$</p> <table border="1"> <thead> <tr> <th>D \ H \ K</th> <th>3</th> <th>4</th> <th>5</th> <th>6</th> <th>7</th> </tr> </thead> <tbody> <tr> <th>0</th> <td>10</td> <td>11</td> <td>12</td> <td>13</td> <td>14</td> </tr> <tr> <th>2</th> <td>8</td> <td>9</td> <td>10</td> <td>11</td> <td>12</td> </tr> <tr> <th>4</th> <td>6</td> <td>7</td> <td>8</td> <td>9</td> <td>10</td> </tr> </tbody> </table>	D \ H \ K	3	4	5	6	7	0	10	11	12	13	14	2	8	9	10	11	12	4	6	7	8	9	10				
D \ H \ K	3	4	5	6	7																									
0	10	11	12	13	14																									
2	8	9	10	11	12																									
4	6	7	8	9	10																									
<p>HG-2603C (Insert)</p>		<p>$H=6+K+A$</p> <table border="1"> <thead> <tr> <th>D \ H \ K</th> <th>3</th> <th>4</th> <th>5</th> <th>6</th> <th>7</th> </tr> </thead> <tbody> <tr> <th>0</th> <td>3</td> <td>3</td> <td>2</td> <td>0</td> <td>-1</td> <td>-2</td> </tr> <tr> <th>2</th> <td>1</td> <td>2</td> <td>3</td> <td>2</td> <td>1</td> <td>0^B</td> </tr> <tr> <th>4</th> <td>7</td> <td>6</td> <td>5</td> <td>4</td> <td>3</td> <td>2</td> </tr> </tbody> </table>	D \ H \ K	3	4	5	6	7	0	3	3	2	0	-1	-2	2	1	2	3	2	1	0 ^B	4	7	6	5	4	3	2	
D \ H \ K	3	4	5	6	7																									
0	3	3	2	0	-1	-2																								
2	1	2	3	2	1	0 ^B																								
4	7	6	5	4	3	2																								



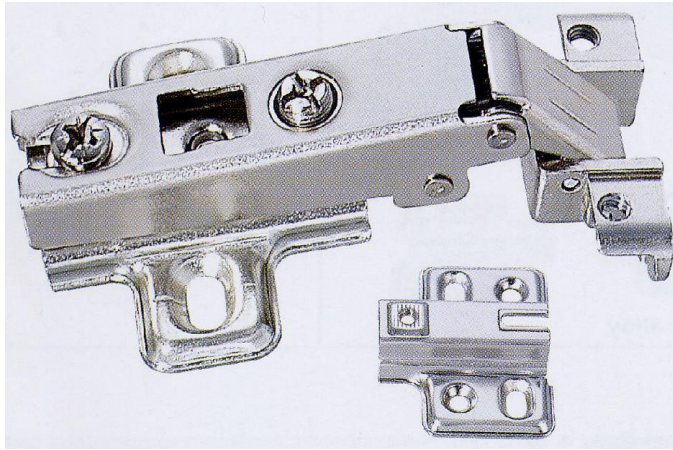
Depth of Hinge Cup: **10 mm**
 Diameter of Hinge Cup: **26 mm**
 Face Panel (K) Measurement: **4 – 7 mm**
 Recommended Plank Thickness: **4 – 6 mm**

Chrome Plated	Brass Plated	Black Plated		

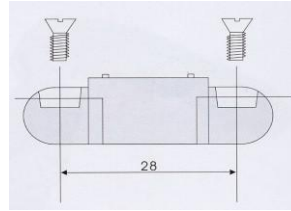
HG-902-A (Full Cover) 		$H=12+K-D$ <table border="1"> <thead> <tr> <th>D \ H \ K</th> <th>3</th> <th>4</th> <th>5</th> <th>6</th> <th>7</th> </tr> </thead> <tbody> <tr> <th>0</th> <td>15</td> <td>16</td> <td>17</td> <td>18</td> <td>19</td> </tr> <tr> <th>2</th> <td>13</td> <td>14</td> <td>15</td> <td>16</td> <td>17</td> </tr> <tr> <th>4</th> <td>11</td> <td>12</td> <td>13</td> <td>14</td> <td>15</td> </tr> </tbody> </table>	D \ H \ K	3	4	5	6	7	0	15	16	17	18	19	2	13	14	15	16	17	4	11	12	13	14	15	
D \ H \ K	3	4	5	6	7																						
0	15	16	17	18	19																						
2	13	14	15	16	17																						
4	11	12	13	14	15																						
HG-902-B (Half Cover) 		$H=3+K-D$ <table border="1"> <thead> <tr> <th>D \ H \ K</th> <th>3</th> <th>4</th> <th>5</th> <th>6</th> <th>7</th> </tr> </thead> <tbody> <tr> <th>0</th> <td>6</td> <td>7</td> <td>8</td> <td>9</td> <td>10</td> </tr> <tr> <th>2</th> <td>4</td> <td>5</td> <td>6</td> <td>7</td> <td>8</td> </tr> <tr> <th>4</th> <td>2</td> <td>3</td> <td>4</td> <td>5</td> <td>6</td> </tr> </tbody> </table>	D \ H \ K	3	4	5	6	7	0	6	7	8	9	10	2	4	5	6	7	8	4	2	3	4	5	6	
D \ H \ K	3	4	5	6	7																						
0	6	7	8	9	10																						
2	4	5	6	7	8																						
4	2	3	4	5	6																						
HG-902-C (Insert) 		$H=6+K+A$ <table border="1"> <thead> <tr> <th>D \ H \ K</th> <th>3</th> <th>4</th> <th>5</th> <th>6</th> <th>7</th> </tr> </thead> <tbody> <tr> <th>0</th> <td>3</td> <td>2</td> <td>1</td> <td>0</td> <td>-1</td> </tr> <tr> <th>2</th> <td>1</td> <td>2</td> <td>3</td> <td>2</td> <td>1</td> </tr> <tr> <th>4</th> <td>7</td> <td>6</td> <td>5</td> <td>4</td> <td>3</td> </tr> </tbody> </table>	D \ H \ K	3	4	5	6	7	0	3	2	1	0	-1	2	1	2	3	2	1	4	7	6	5	4	3	
D \ H \ K	3	4	5	6	7																						
0	3	2	1	0	-1																						
2	1	2	3	2	1																						
4	7	6	5	4	3																						

HG-5201

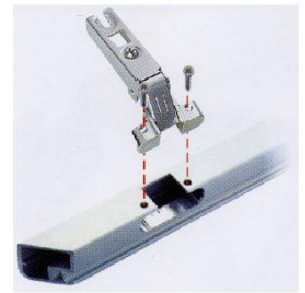
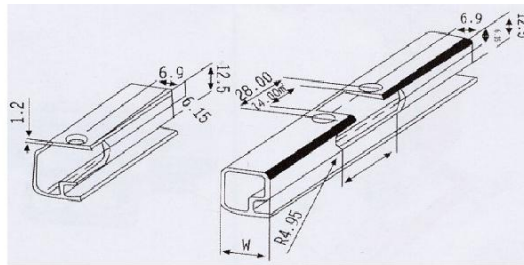
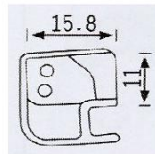
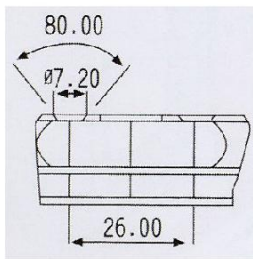
Two Way Slide-On Hinge Series 92° Opening Angle Metal Frame

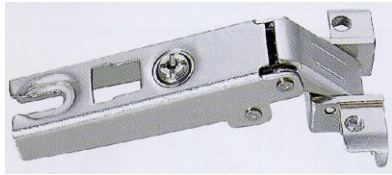
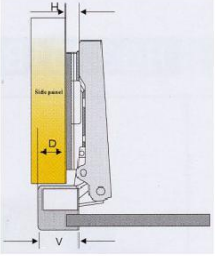
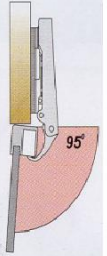
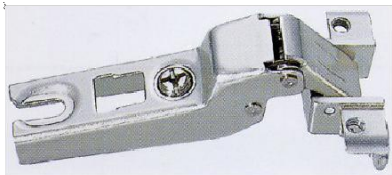
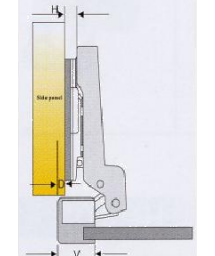
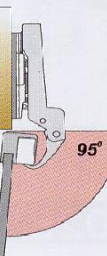

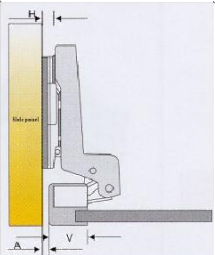
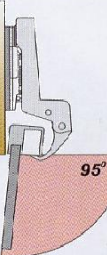


Aluminum Frame Hinge Cup
Drilling Size: **28 mm**
Recommended V-width
Of Aluminum Profile: **19 – 23 mm**



Drilling Size of Aluminum Profile



HG-5201-A (Full Cover) 		<table border="1"> <thead> <tr> <th>D</th> <th>H</th> <th>V</th> <th>19</th> <th>20</th> <th>21</th> <th>22</th> <th>23</th> </tr> </thead> <tbody> <tr> <td>0</td> <td></td> <td></td> <td>19</td> <td>20</td> <td>20</td> <td>21</td> <td>22</td> </tr> <tr> <td>2</td> <td></td> <td></td> <td>16</td> <td>17</td> <td>18</td> <td>18</td> <td>20</td> </tr> <tr> <td>4</td> <td></td> <td></td> <td>14</td> <td>15</td> <td>16</td> <td>16</td> <td>18</td> </tr> </tbody> </table>	D	H	V	19	20	21	22	23	0			19	20	20	21	22	2			16	17	18	18	20	4			14	15	16	16	18	
D	H	V	19	20	21	22	23																												
0			19	20	20	21	22																												
2			16	17	18	18	20																												
4			14	15	16	16	18																												
HG-5201-B (Half Cover) 		<table border="1"> <thead> <tr> <th>D</th> <th>H</th> <th>V</th> <th>19</th> <th>20</th> <th>21</th> <th>22</th> <th>23</th> </tr> </thead> <tbody> <tr> <td>0</td> <td></td> <td></td> <td>10</td> <td>11</td> <td>12</td> <td>13</td> <td>14</td> </tr> <tr> <td>2</td> <td></td> <td></td> <td>8</td> <td>9</td> <td>10</td> <td>11</td> <td>12</td> </tr> <tr> <td>4</td> <td></td> <td></td> <td>6</td> <td>7</td> <td>8</td> <td>9</td> <td>10</td> </tr> </tbody> </table>	D	H	V	19	20	21	22	23	0			10	11	12	13	14	2			8	9	10	11	12	4			6	7	8	9	10	
D	H	V	19	20	21	22	23																												
0			10	11	12	13	14																												
2			8	9	10	11	12																												
4			6	7	8	9	10																												
HG-5201-C (Insert) 		<table border="1"> <thead> <tr> <th>D</th> <th>H</th> <th>V</th> <th>19</th> <th>20</th> <th>21</th> <th>22</th> <th>23</th> </tr> </thead> <tbody> <tr> <td>0</td> <td></td> <td></td> <td>-1</td> <td>-2</td> <td>-3</td> <td>-4</td> <td>-5</td> </tr> <tr> <td>2</td> <td></td> <td></td> <td>1</td> <td>0</td> <td>-1</td> <td>-2</td> <td>-3</td> </tr> <tr> <td>4</td> <td></td> <td></td> <td>3</td> <td>2</td> <td>1</td> <td>0</td> <td>-1</td> </tr> </tbody> </table>	D	H	V	19	20	21	22	23	0			-1	-2	-3	-4	-5	2			1	0	-1	-2	-3	4			3	2	1	0	-1	
D	H	V	19	20	21	22	23																												
0			-1	-2	-3	-4	-5																												
2			1	0	-1	-2	-3																												
4			3	2	1	0	-1																												



Depth of Hinge Cup: **12.7 mm**
 Diameter of Hinge Cup: **35 mm**
 Face Panel (K) Measurement: **3 – 17 mm**
 Recommended Plank Thickness: **14 – 23 mm**

Body: zinc alloy

Type of Hinge Cup (steel)

with self-tapping screw with M8 dowel with M10 dowel with euro screw

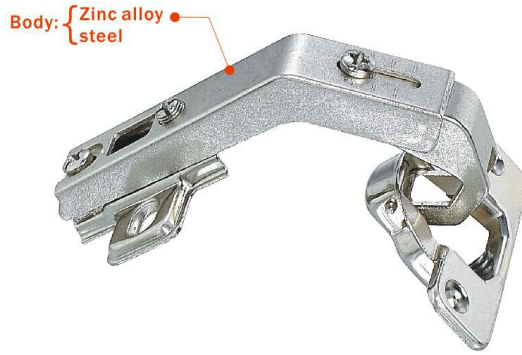
X	K	4	5		
	0	20	19		
H	2	20	19		
	4	20	19		

D	K	4	5		
	0	2,8	3,7		
H	2	0,8	1,7		
	4	-1,2	-0,3		

Not available in stock! Place order.

HG-409

Special Slide-On Angled Hinge Series 135° Opening Angle



Depth of Hinge Cup: **12.7 mm**
 Diameter of Hinge Cup: **35 mm**
 Face Panel (K) Measurement: **3 – 17 mm**
 Recommended Plank Thickness: **14 – 23 mm**

Type of Hinge Cup (steel)

with self-tapping screw with M8 dowel with M10 dowel with euro screw

X \ K	4	5	6	7
0	37	36	35	34
H 2	37	36	35	34

phase of opening

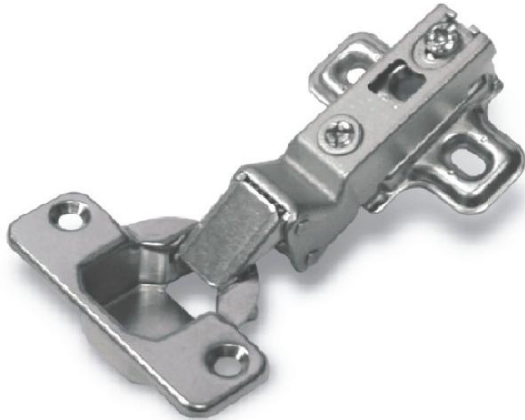
phase of opening

phase of opening

Not available in stock! Place order.

HG-630

Special Slide-On Angled Hinge Series -30° Negative Installation Angle



Depth of Hinge Cup: **12.7 mm**
 Diameter of Hinge Cup: **35 mm**
 Face Panel (K) Measurement: **3 – 17 mm**
 Recommended Plank Thickness: **14 – 23 mm**

Type of Hinge Cup (steel)

with self-tapping screw with M8 dowel with M10 dowel with euro screw

D	K	3	4	5	6	7
	2,5	8,3	8,98	9,65	10,32	10,99
H	4,5	6,3	6,98	7,65	8,32	8,99
	6,5	4,3	4,98	5,65	6,32	6,99

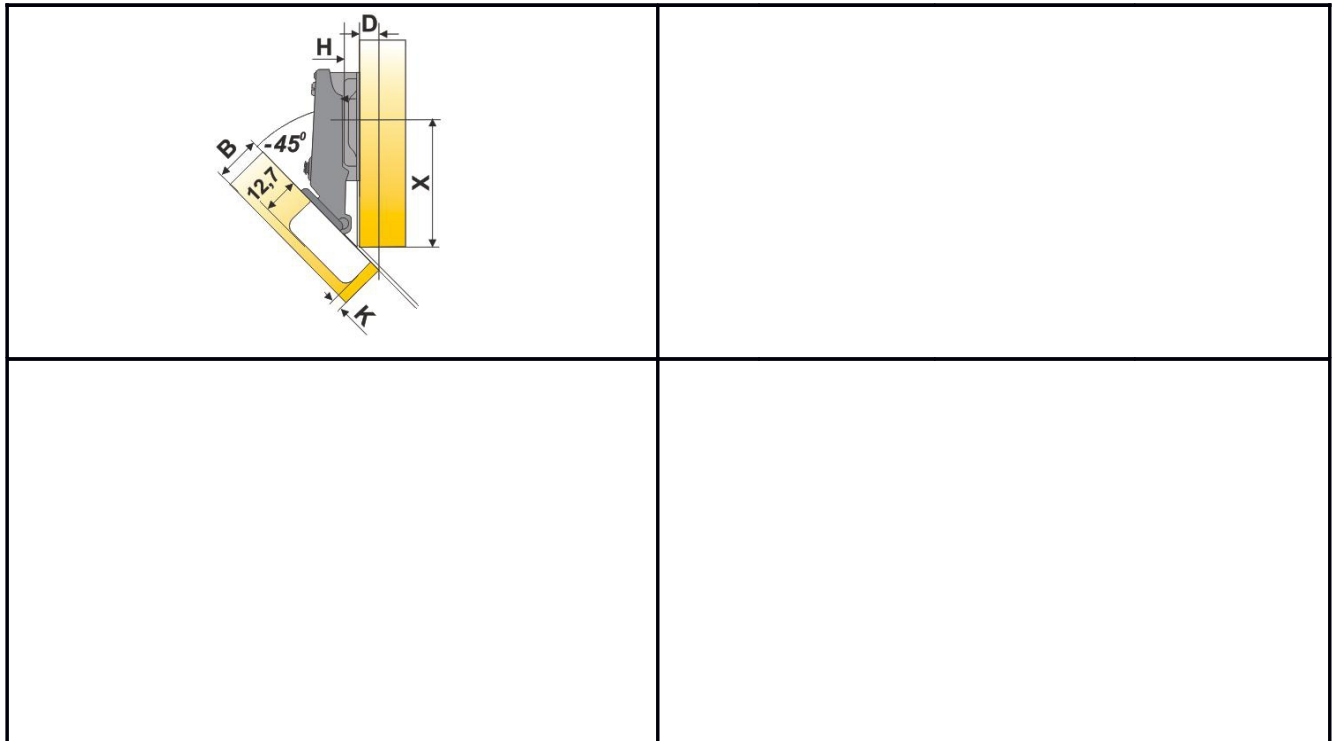
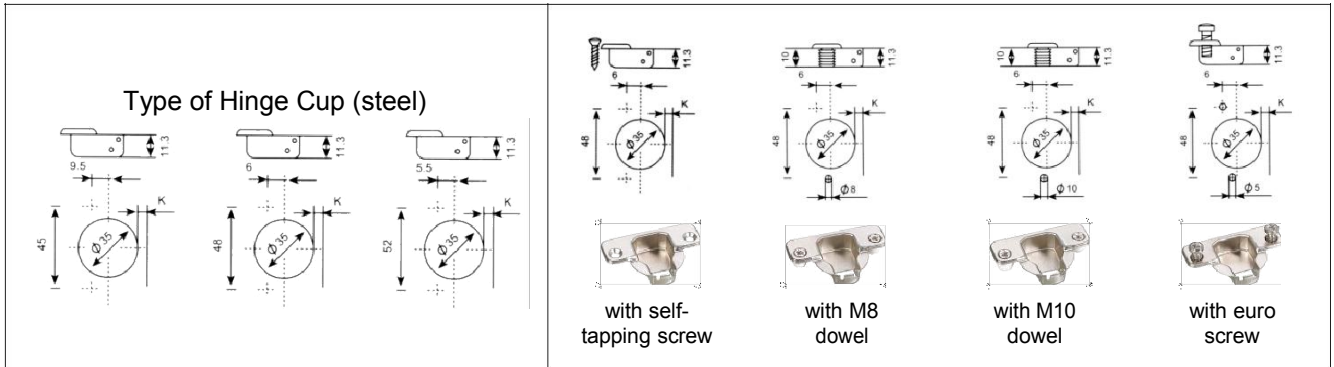
X	K	3	4	5	6	7
	2,5	42,8	42,8	42,8	42,8	42,8
H	4,5	45	45	45	45	45
	6,5	47,2	47,2	47,2	47,2	47,2

HG-645

Special Slide-On Angled Hinge Series -45° Negative Installation Angle



Depth of Hinge Cup: **12.7 mm**
 Diameter of Hinge Cup: **35 mm**
 Face Panel (K) Measurement: **3 – 17 mm**
 Recommended Plank Thickness: **14 – 23 mm**



D	K	3	4	5	6	7
2,5	8,3	8,98	9,65	10,32	10,99	
H	4,5	6,3	6,98	7,65	8,32	8,99
	6,5	4,3	4,98	5,65	6,32	6,99

X	K	3	4	5	6	7
	2,5	42,8	42,8	42,8	42,8	42,8
H	4,5	41,5	41,5	41,5	41,5	41,5
	6,5	47,2	47,2	47,2	47,2	47,2

HG-4501C

Special Slide-On Hinges Series
 -45° Negative Installation Angle



Depth of Hinge Cup: **12.7 mm**
 Diameter of Hinge Cup: **35 mm**
 Face Panel (K) Measurement: **3 – 17 mm**
 Recommended Plank Thickness: **14 – 23 mm**



Not available in stock! Place order.

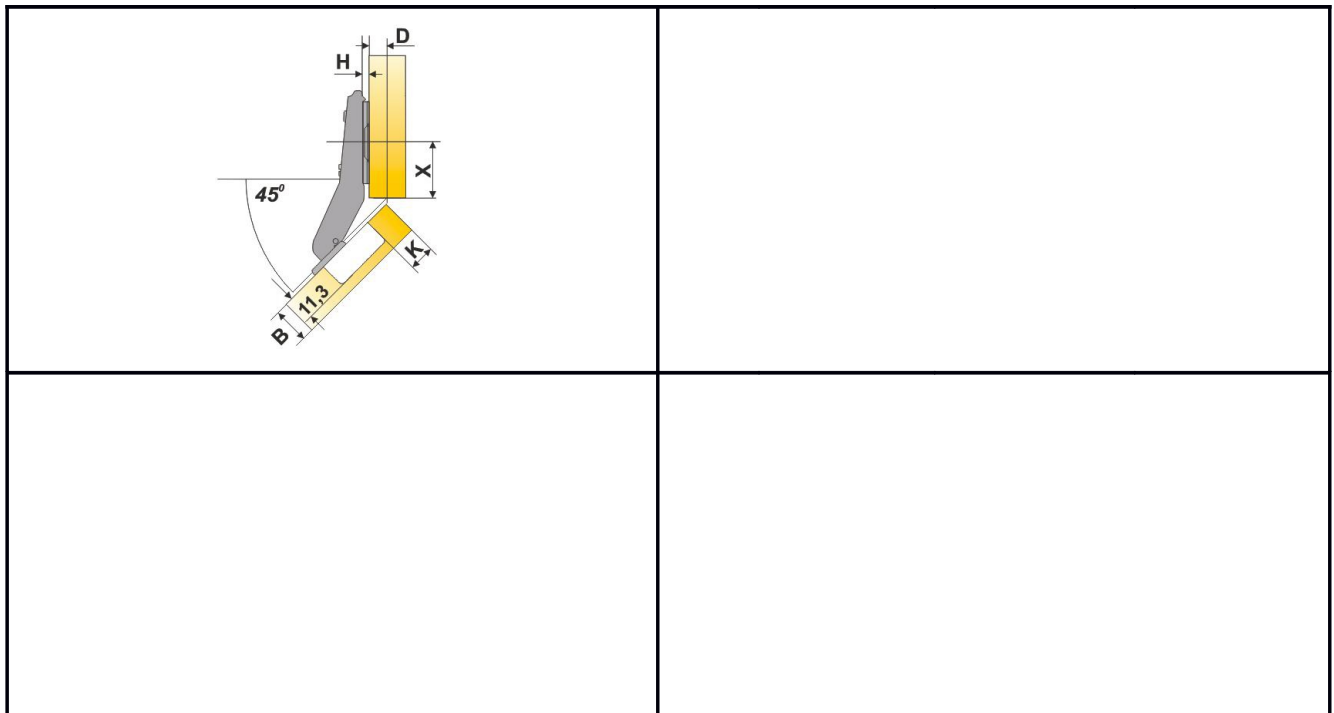
Type of Hinge Cup (steel)

with self-tapping screw

with M8 dowel

with M10 dowel

with euro screw



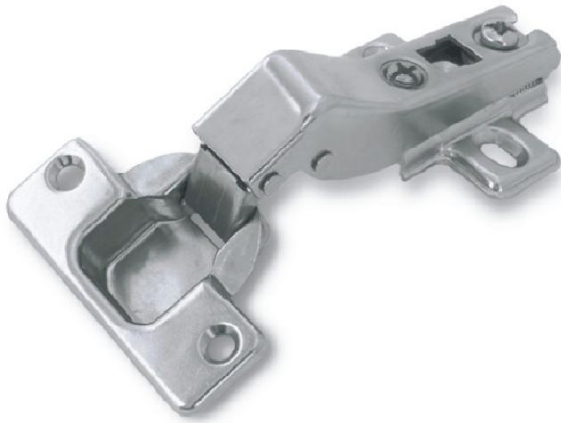
X	K	4	5	6	7
H	0	37	36	35	34
	2	37	36	35	34
	4	37	36	35	34

D	K	4	5	6	7
H	0	4,1	5,1	6,3	7,2
	2	2,5	3,4	4,3	5,2
	4	0,5	1,4	2,3	3,2

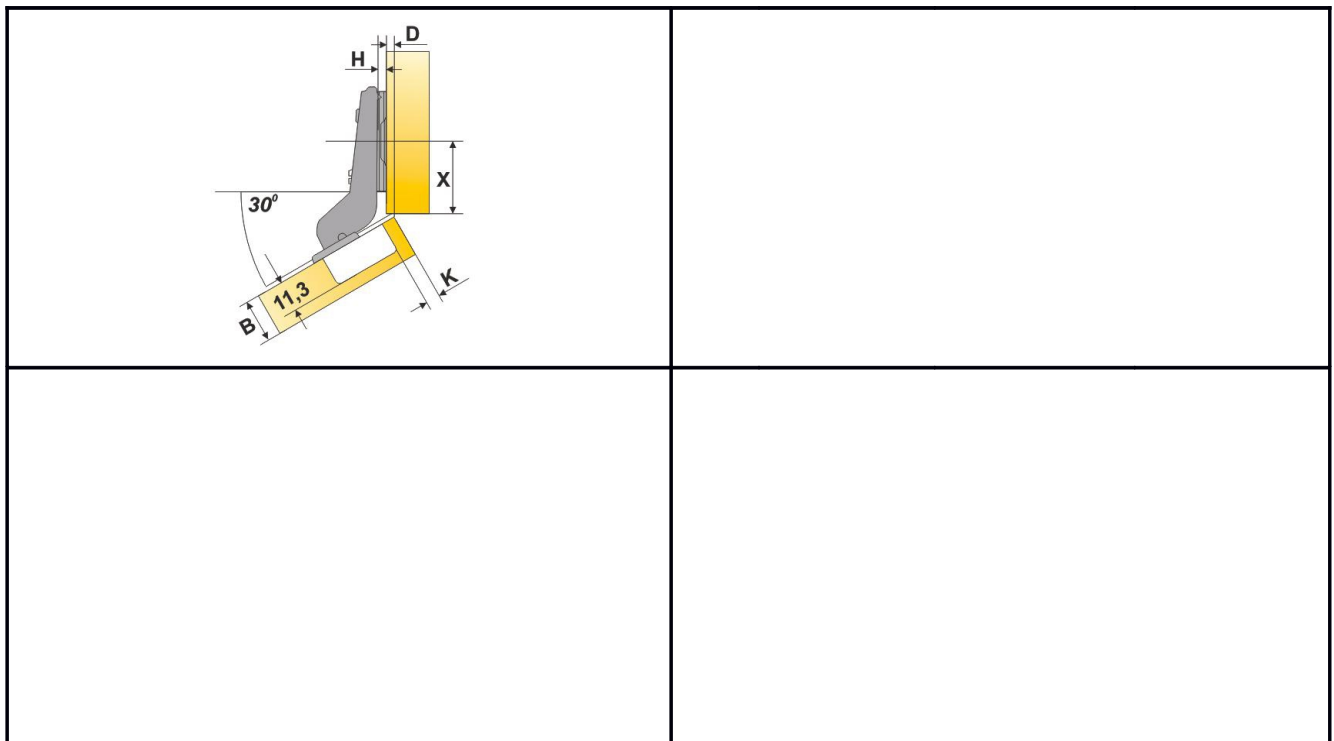
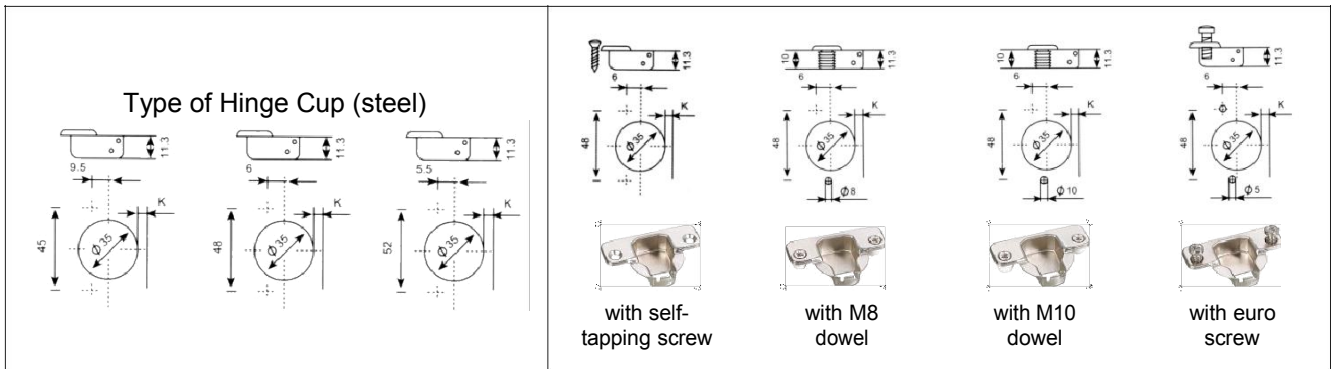
HG-4501D

Special Slide-On
-30° Negative Installation Angle

Series



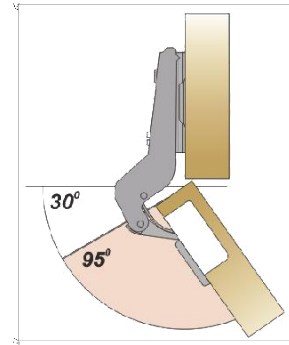
Depth of Hinge Cup: **12.7 mm**
 Diameter of Hinge Cup: **35 mm**
 Face Panel (K) Measurement: **3 – 17 mm**
 Recommended Plank Thickness: **14 – 23 mm**
mm



22

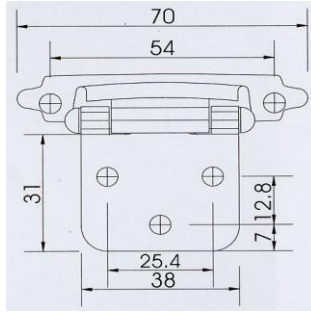
X	K	4	5	6	7
	0	37	36	35	34
H	2	37	36	35	34
	4	37	36	35	34

D	K	4	5	6	7
	0	1,1	2	2,9	3,8
H	2	-0,9	0	0,9	1,8
	4	-2,9	-2	-1,1	-0,2



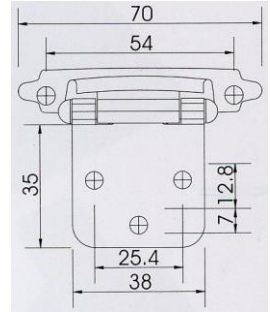
Not available in stock! Place order.

HM-191



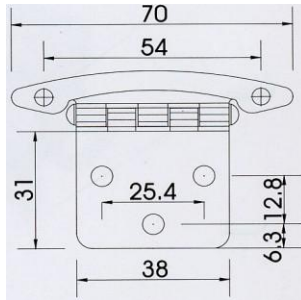
Size: **70*54*38*31**
Thickness: **1.2, 1.4 mm**
Color: **BP, AB, AC, CP, W, NP**

HM-192



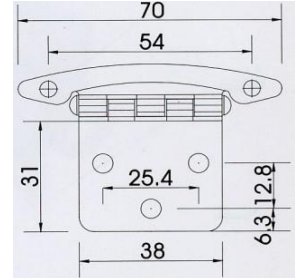
Size: **70*54*38*31**
Thickness: **1.2, 1.4 mm**
Color: **BP, AB, AC, CP, W, NP**

HM-193



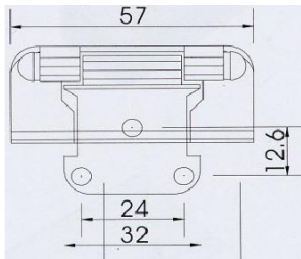
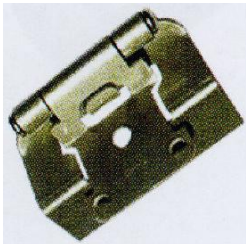
Size: **70*54*38*31**
Thickness: **1.2, 1.4 mm**
Color: **BP, AB, AC, CP, W, NP**

HM-194



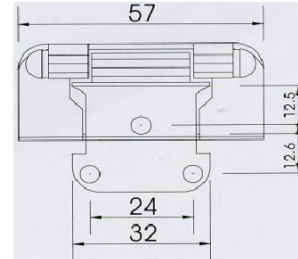
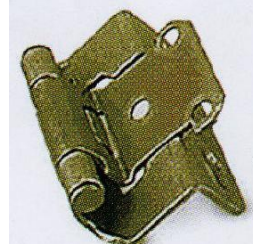
Size: **70*54*38*31**
Thickness: **1.2, 1.4 mm**
Color: **BP, AB, AC, CP, W, NP**

HM-191



Size: **57*32**
Thickness: **1.5 mm**
Color: **AB, AC, CP, W, NP**

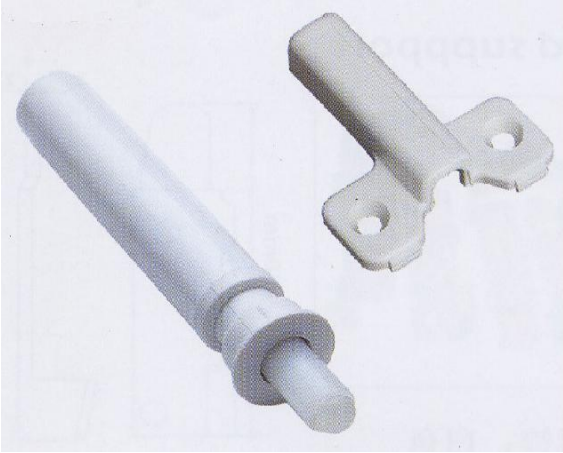
HM-192



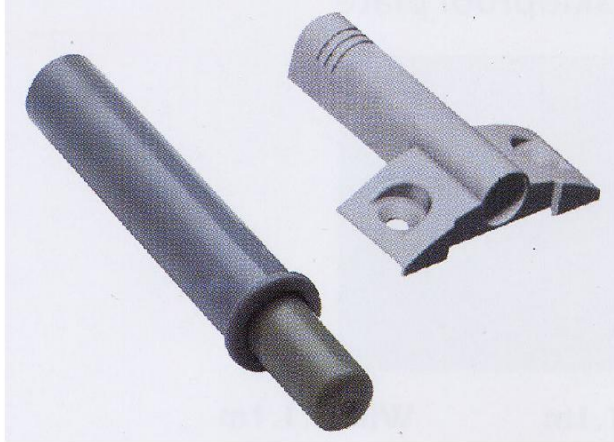
Size: **57*32**
Thickness: **1.5 mm**
Color: **AB, AC, CP, W, NP**

Not available in stock! Place order.

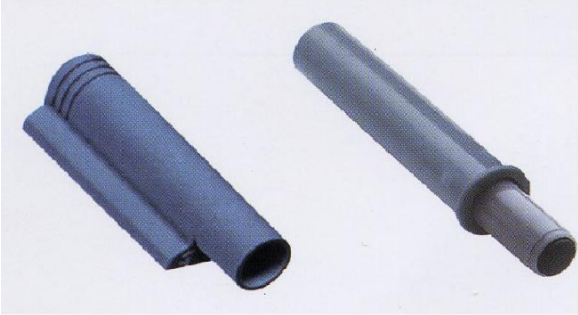
M78A



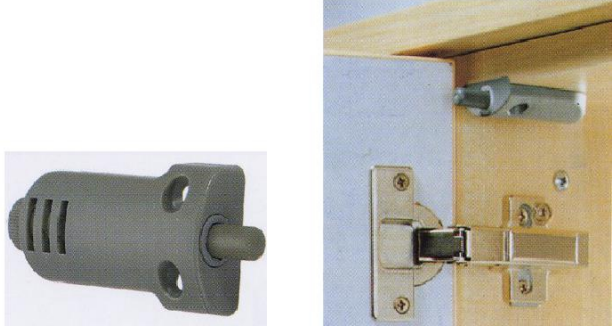
M78C



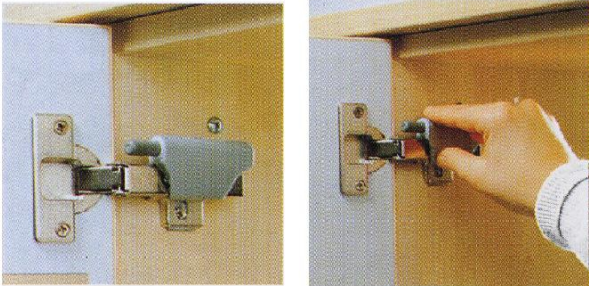
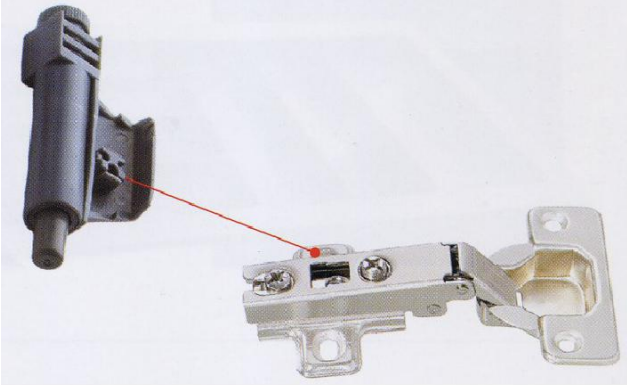
M78D



M78C



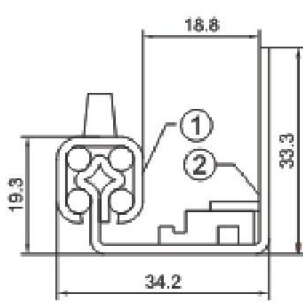
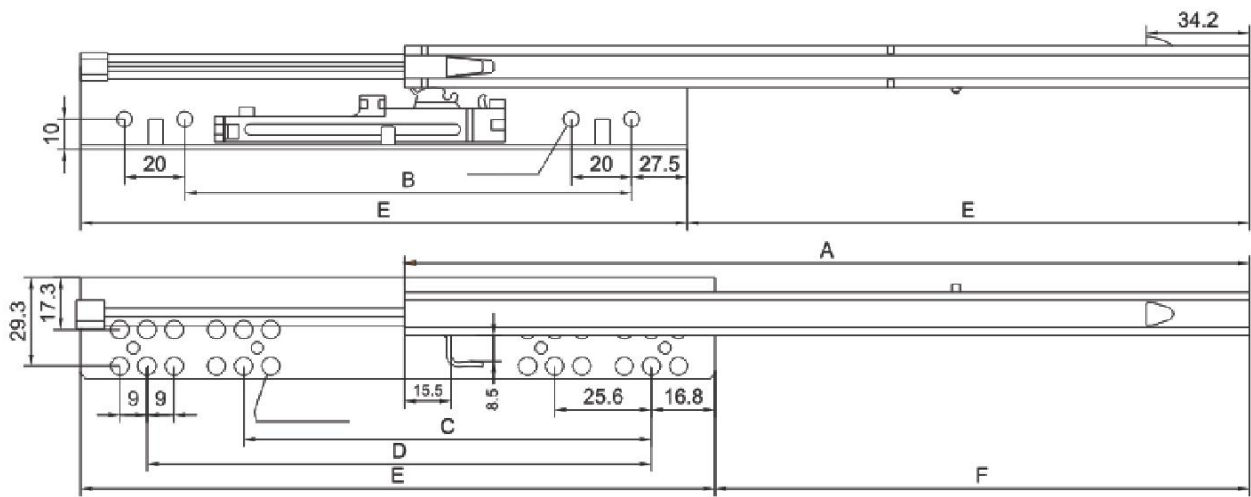
M68B



Not available in stock! Place order.



Width: 33 mm
 Length: 12"-22"
 Thickness: 1.5x1.5mm
 Color: Zink, Black, Color Zink



Thickness Range

NO	
①	1.5mm
②	1.5mm

SIZE	A	B	C	D	E	F
HM168-300	300	128	128	204	204	220
HM168-350	350	160	160	192	236	265
HM168-400	400	192	192	224	268	304
HM168-450	450	416	416	256	300	330
HM168-500	500	448	448	288	332	380
HM168-550	550	480	480	320	364	430

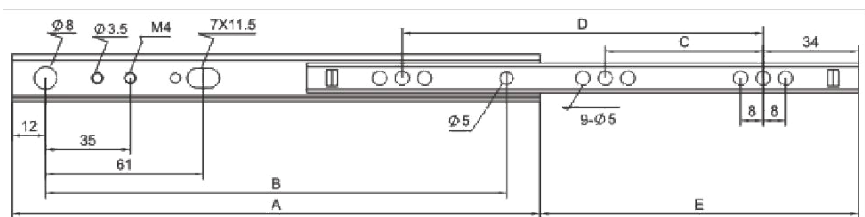


Not available in stock! Place order.



Width: 17 mm
 Length: 10"-18" (inch)
 Thickness:
 0.8x0.8mm
 1.0x1.0mm
 Color: Zink, Black, Color Zink

Thickness Range	
NO	
①	0.8mm 1.0mm
②	0.8mm 1.0mm

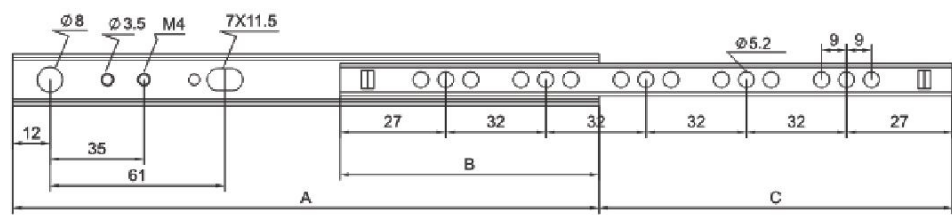


SIZE	A	B	C	D	E
DB170-250	250	227	91	182	153
DB170-300	300	277	116	232	203
DB170-350	350	327	141	282	253
DB170-400	400	377	166	332	303
DB170-450	450	427	191	382	353

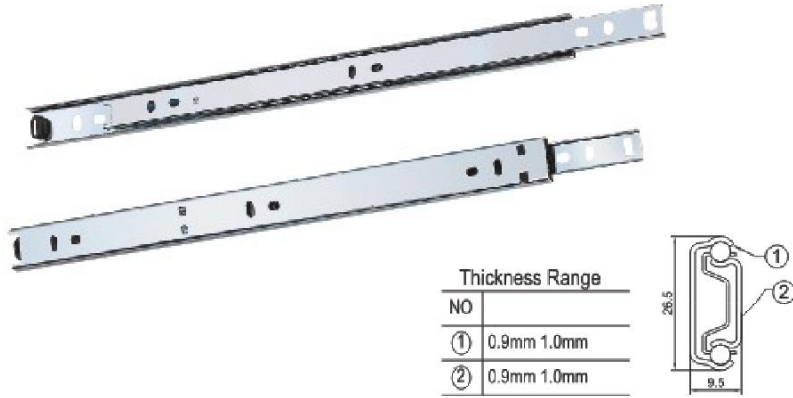


Width: 17 mm
 Length: 182-438 mm
 Thickness:
 0.8x0.8mm
 1.0x1.0mm
 Color: Zink, Black, Color Zink

Thickness Range	
NO	
①	0.8mm 1.0mm
②	0.8mm 1.0mm

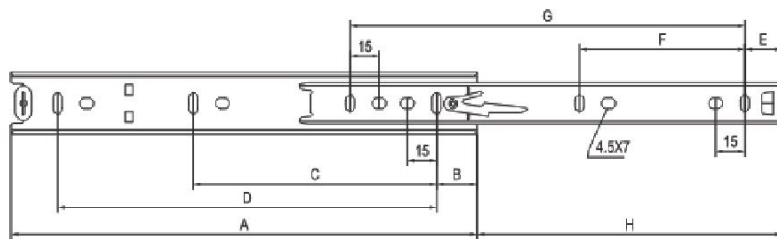


SIZE	A	B	C
DB1702-182	182	46	136
DB1702-214	214	70	144
DB1702-246	246	70	176
DB1702-278	278	94	184
DB1702-310	310	94	216
DB1702-342	342	94	248
DB1702-374	374	118	256
DB1702-438	438	118	320

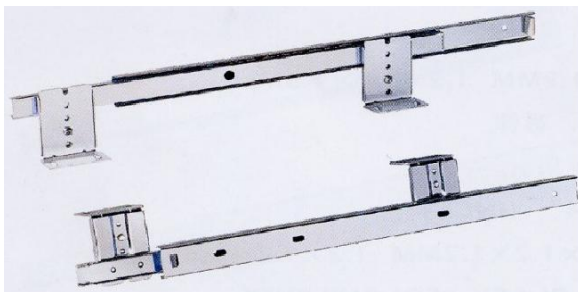


Width: 27 mm
 Length: 12"-20" (inch)
 Thickness:
 0.9x0.9mm
 1.0x1.0mm
 Color: Zink, Black, Color Zink

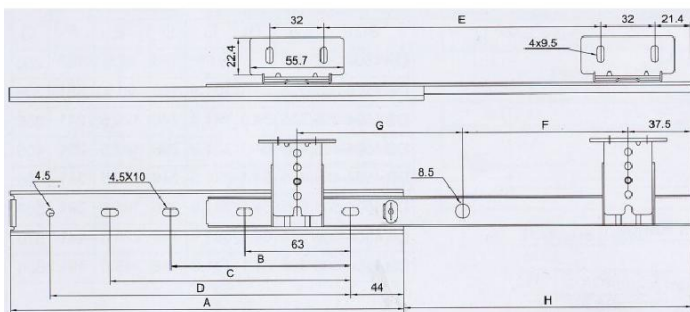
Thickness Range	
NO	
①	0.9mm 1.0mm
②	0.9mm 1.0mm



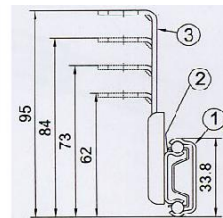
SIZE	A	B	C	D	E	F	G	H
DB270-285	285	21	136	240	23	135	238	191
DB270-340	340	28	151	281	31	150	277	236
DB270-390	390	33	169	321	32	172	325	273
DB270-440	440	32	195	375	31	197	376	300
DB270-490	490	38	211	413	35	217	418	337



Width: 27 mm
 Length: 14" (inch)
 Thickness:
 0.8x0.8x1.5mm
 Color: Zink, Black, Color Zink



Thickness Range	
NO	
①	0.8mm
②	0.8mm
③	1.5mm

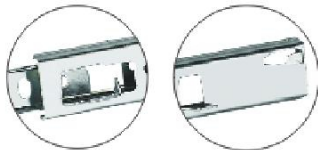


SIZE	A	B	C	D	E	F	G	H
DB2703-350	352		184	284	222	127	127	233

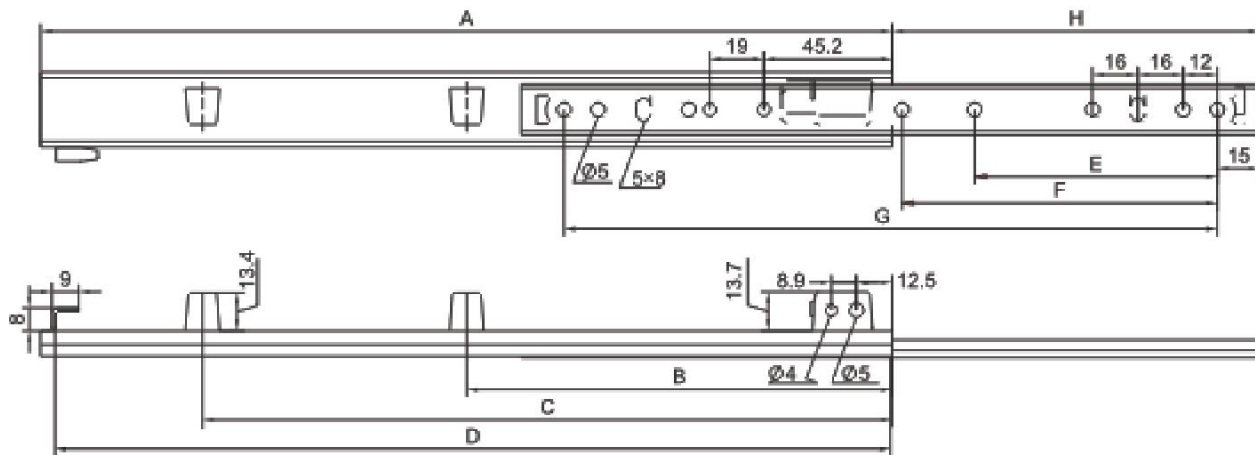
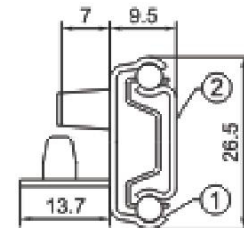
Not available in stock! Place order.



Width: 27 mm
 Length: 12"-18" (inch)
 Thickness:
 1.0x1.0mm
 1.2x1.2mm
 Color: Zink, Black, Color Zink



Thickness Range	
NO	
①	1.0mm 1.2mm 0.9mm
②	1.0mm 1.2mm 0.9mm

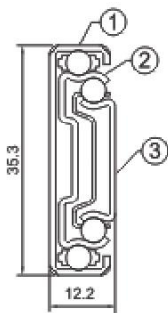
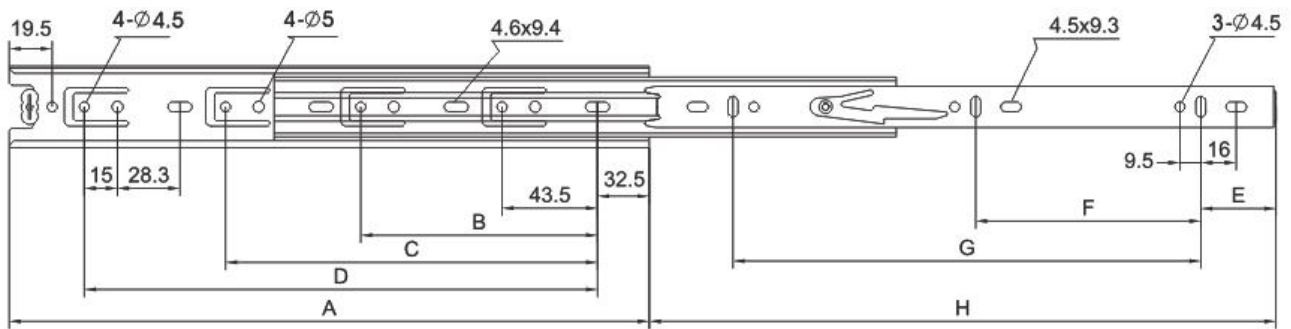


SIZE	A	B	C	D	E	F	G	H
DB2705-285	300	125	243	295	83	147	231	157
DB2705-340	350	150	293	345	108	172	281	182
DB2705-390	400	175	343	395	108	172	331	207
DB2705-440	450	200	393	445	133	248	381	245

Not available in stock! Place order.



Width: 35 mm
 Length: 14" (inch)
 Thickness:
 0.8x0.8x0.9mm
 Color: Zink, Black, Color Zink



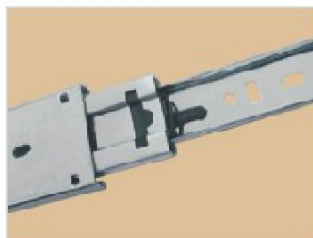
Thickness Range

NO	
①	0.8mm
②	0.8mm
③	0.9mm

SIZE	A	B	C	D	E	F	G	H
DB350-250	250			170	37	98	163	233
DB350-300	300	107.5	178	242	34	102	212	284
DB350-350	350	107.5	208	272	42	121	246	352
DB350-400	400	107.5	258	322	46	137	288	398
DB350-450	450	107.5	308	372	46	165	338	461
DB350-500	500	107.5	358	422	46	190	388	512
DB350-550	550	107.5	408	472	46	213	438	573
DB350-600	600	107.5	458	522	46	238	488	623



Overrun protection.



Releasing lever. Press to pull the drawer out.

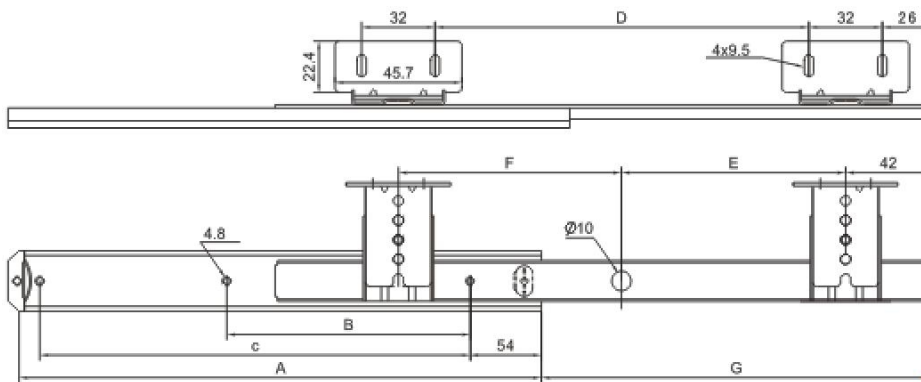


The telescopic mechanism of full extension, ball. Characterized with a smooth and noiseless travel.



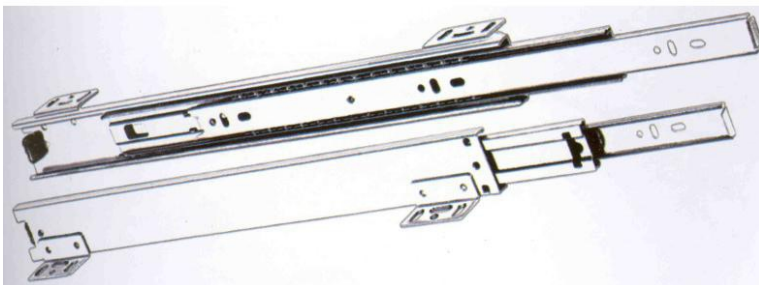
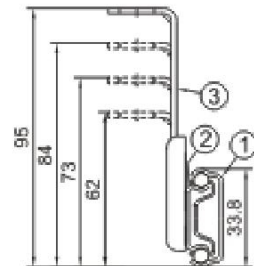
Width: 35 mm
 Length: 14" (inch)
 Thickness:
 1.2x1.2x1.2mm
 Color: Zink, Black, Color Zink

SIZE	A	B	C	D	E	F	G
DB3501-358	358	180	281	223	128	128	227



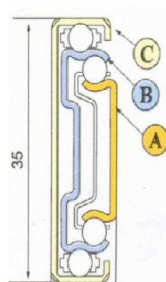
Thickness Range

NO	
①	1.2mm
②	1.2mm
③	1.2mm



Width: 35 mm
 Length: 14"-22" (inch)
 Thickness:
 0.9x0.9x0.9mm
 1.1x1.1x1.1mm
 Color: Zink, Black, Color Zink

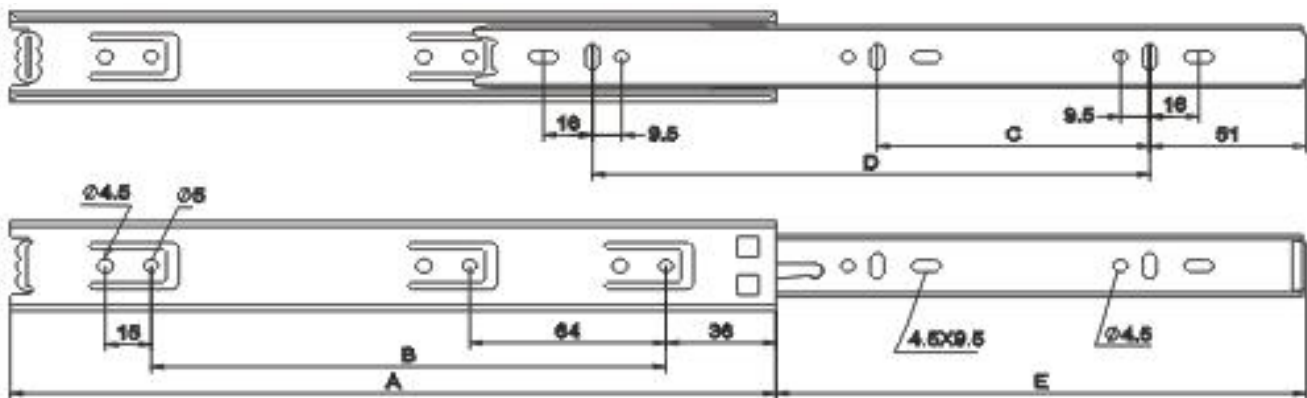
Thickness Range			
NO.	Ⓒ	Ⓑ	Ⓐ
①	0.9	0.9	0.9
②	1.1	1.1	1.1



Not available in stock! Place order.



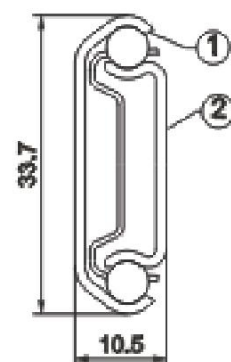
Width: 35 mm
 Length: 12"-24" (inch)
 Thickness:
 1.2x1.2mm
 Color: Zink, Black, Color Zink



SIZE	A	B	C	D	E
DB3505-300	300	218	99	212	113
DB3505-350	350	268	124	256	132
DB3505-400	400	318	149	306	157
DB3505-450	450	368	174	356	182
DB3505-500	500	418	199	406	207
DB3505-550	550	468	224	456	232
DB3505-600	600	518	249	506	265

Thickness Range

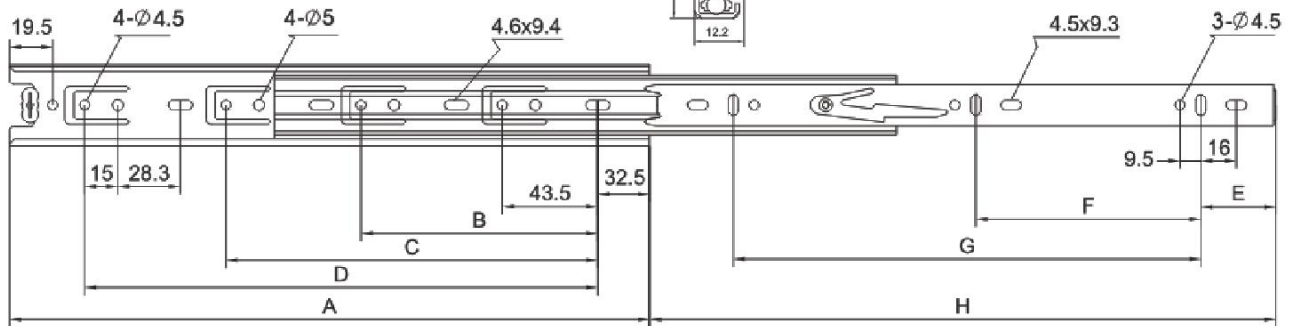
NO	
①	1.2mm
②	1.2mm



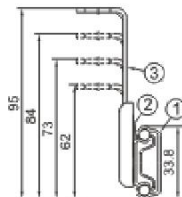
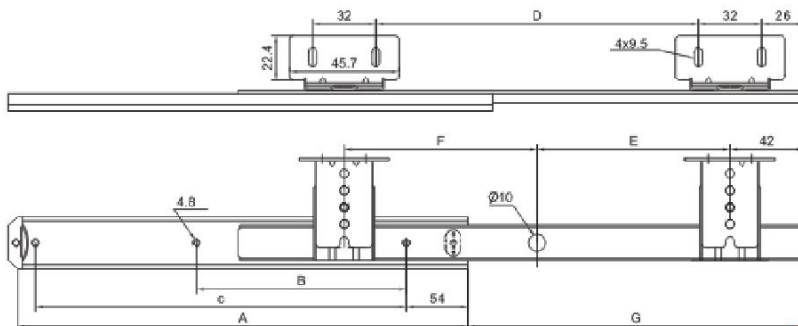
Not available in stock! Place order.



Width: 37 mm
 Length: 12"-24" (inch)
 Thickness:
 1.0x1.0x1.0mm
 1.2x1.2x1.2mm
 Color: Zink, Black, Color Zink



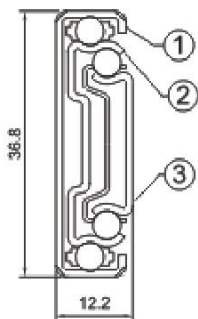
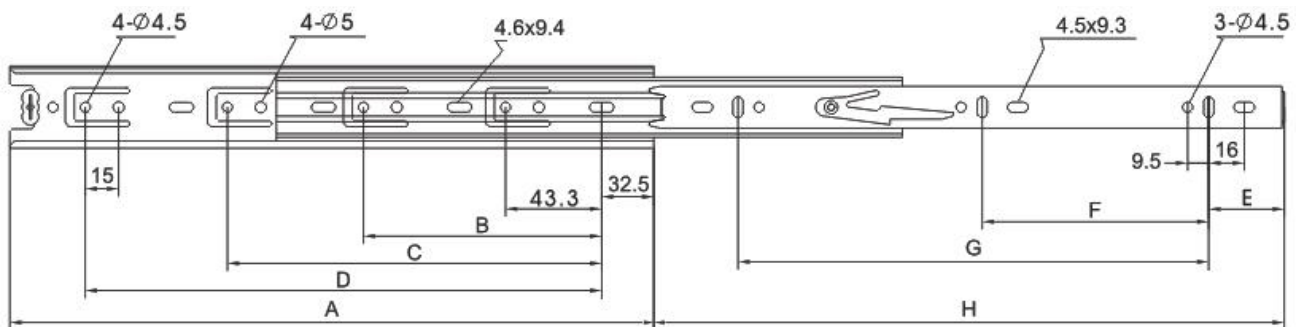
Width: 37 mm
 Length: 12"-24" (inch)
 Thickness:
 1.0x1.0x1.0mm
 1.2x1.2x1.2mm
 Color: Zink, Black, Color Zink



Not available in stock! Place order.



Width: 38 mm
 Length: 10"-24" (inch)
 Thickness:
 0.9x0.8x1.0mm
 1.2x1.2x1.2mm
 0.9x0.9x1.0mm
 Color: Zink, Black, Color Zink

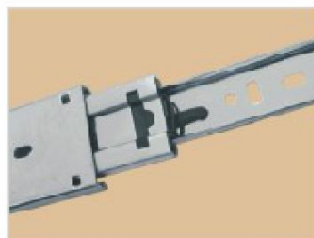


Thickness Range			
NO			
①	0.9mm	1.2mm	0.9mm
②	0.8mm	1.2mm	0.9mm
③	1.0mm	1.2mm	1.0mm

SIZE	A	B	C	D	E	F	G	H
DB380-250	250			138	181.5	69.5	139	244
DB380-300	300	64	129	193	237	94.5	180	290
DB380-350	350	64	174	238	281.5	119.5	239	344
DB380-400	400	64	224	288	331.5	144.5	289	394
DB380-450	450	64	274	338	381.5	169.5	339	444
DB380-500	500	64	324	388	431.5	194.5	389	494
DB380-550	550	64	374	438	481.5	219.5	439	544
DB380-600	600	64	424	488	531.5	244.5	489	594



Overrun protection.



Releasing lever. Press to pull the drawer out.

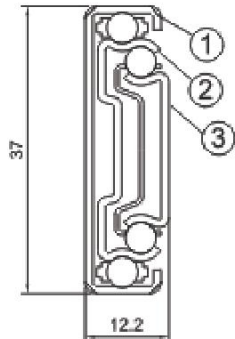
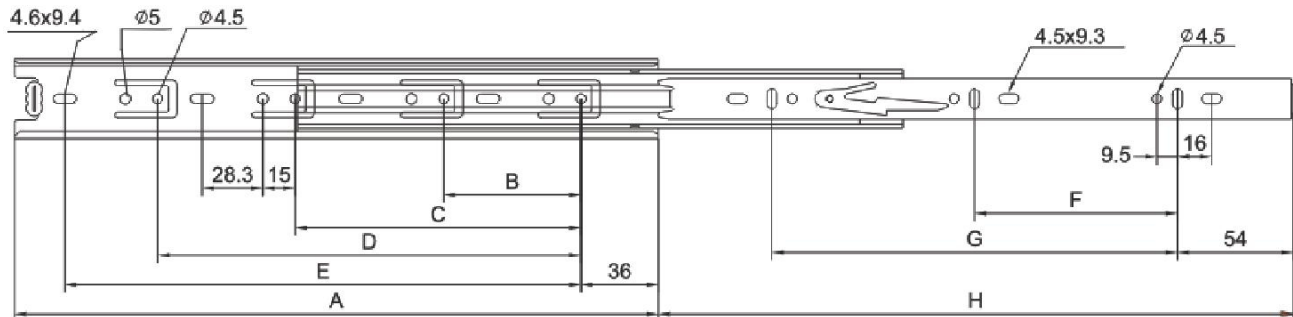


The telescopic mechanism of full extension, ball. Characterized with a smooth and noiseless travel.

Not available in stock! Place order.



Width: 38 mm
 Length: 10"-24" (inch)
 Material: 202, 304
 Thickness:
 1.0x1.0x1.0mm
 Color: Satin, Polished



Thickness Range

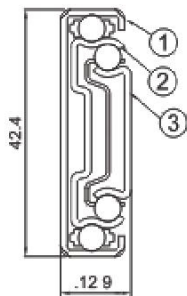
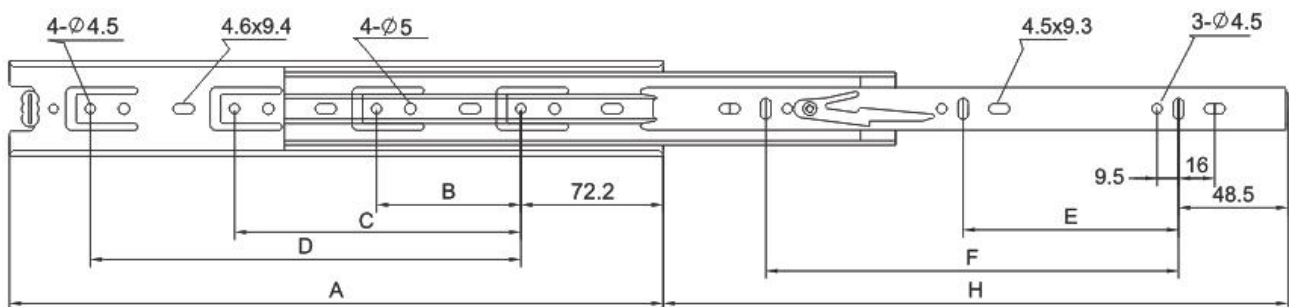
NO	
①	1.0mm
②	1.0mm
③	1.0mm

SIZE	A	B	C	D	E	F	G	H
DB3802-250	250			138	181.5	69.5	139	244
DB3802-300	300	64	129	193	237	94.5	180	290
DB3802-350	350	64	174	238	281.5	119.5	239	344
DB3802-400	400	64	224	288	331.5	144.5	289	394
DB3802-450	450	64	274	338	381.5	169.5	339	444
DB3802-500	500	64	324	388	431.5	194.5	389	494
DB3802-550	550	64	374	438	481.5	219.5	439	544
DB3802-600	600	64	424	488	531.5	244.5	489	594

Not available in stock! Place order.



Width: 43 mm
 Length: 12"-24" (inch)
 Thickness:
 1.0x1.0x1.0mm
 Color: Zink, Black, Color Zink



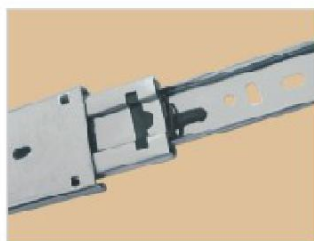
Thickness Range

NO	Thickness
①	1.0mm
②	1.0mm
③	1.0mm

SIZE	A	B	C	D	E	F	G	H
DB430-300	300		127	191	34	102	212	275
DB430-350	350	64	166	230	42	121	246	353
DB430-400	400	64	216	280	46	137	288	399
DB430-450	450	64	266	330	46	165	338	462
DB430-500	500	64	316	380	46	190	388	512
DB430-550	550	64	366	430	46	213	438	572
DB430-600	600	64	416	480	46	239	488	622



Overrun protection.



Releasing lever. Press to pull the drawer out.

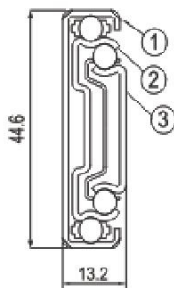
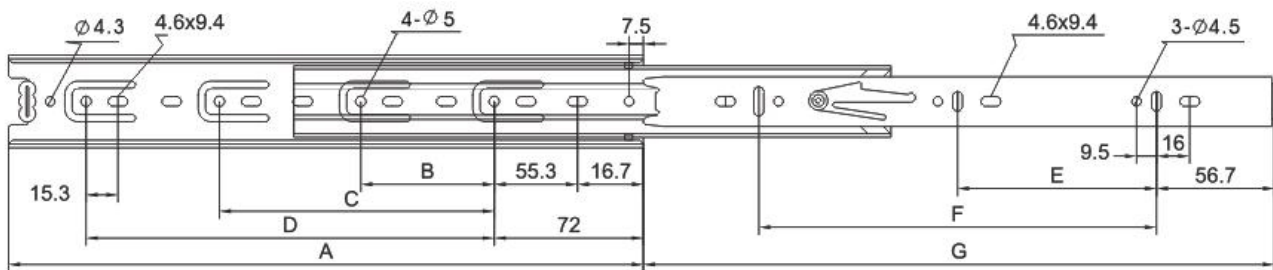


The telescopic mechanism of full extension, ball. Characterized with a smooth and noiseless travel.

Not available in stock! Place order.



Width: 45 mm
 Length: 10"-24" (inch)
 Thickness:
 1.2x1.2x1.2mm
 1.2x1.2x1.5mm
 1.0x1.0x1.2mm
 1.0x1.0x1.0mm
 Color: Zink, Black, Color Zink



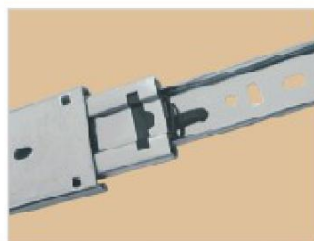
Thickness Range

NO			
①	1.2mm	1.0mm	1.0mm
②	1.2mm	1.0mm	1.0mm
③	1.2mm	1.5mm	1.2mm 1.0mm

SIZE	A	B	C	D	E	F	G
DB450-255	255		81.9	146	83.5	167	256
DB450-305	305	64.1	131.9	196	95.5	191	302
DB450-355	355	64.1	181.9	246	120.5	241	356
DB450-405	405	64.1	231.9	296	145.5	291	406
DB450-455	455	64.1	281.9	346	170.5	341	456
DB450-505	505	64.1	331.9	396	195.5	391	504
DB450-555	555	64.1	381.9	446	220.5	441	570
DB450-605	605	64.1	431.9	496	245.5	491	608



Overrun protection.



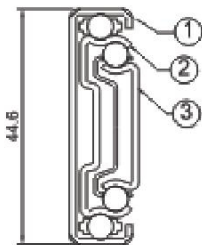
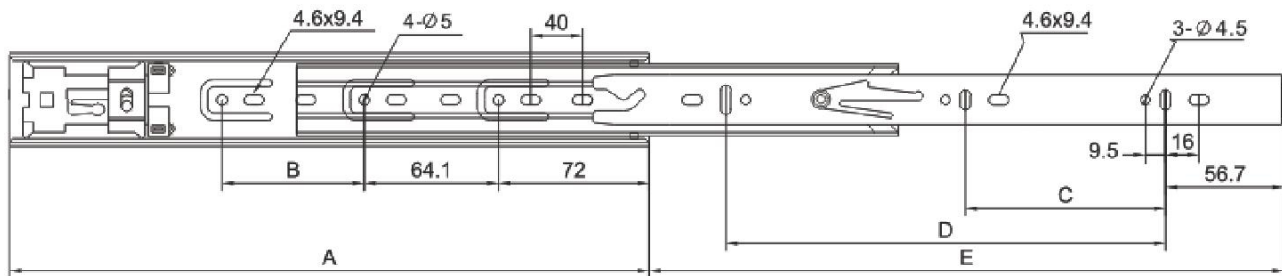
Releasing lever. Press to pull the drawer out.



The telescopic mechanism of full extension, ball. Characterized with a smooth and noiseless travel.



Width: 45 mm
 Length: 10"-24" (inch)
 Thickness:
 1.2x1.2x1.2mm
 1.2x1.2x1.5mm
 Color: Zink, Black, Color Zink



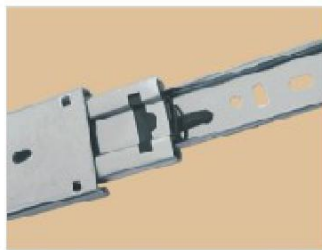
Thickness Range

NO	Thickness
①	1.2mm
②	1.2mm
③	1.2mm, 1.5mm

SIZE	A	B	C	D	E	F	G
DB450-305	305	64.1	131.9	196	95.5	191	302
DB450-355	355	64.1	181.9	246	120.5	241	356
DB450-405	405	64.1	231.9	296	145.5	291	406
DB450-455	455	64.1	281.9	346	170.5	341	456
DB450-505	505	64.1	331.9	396	195.5	391	504
DB450-555	555	64.1	381.9	446	220.5	441	570
DB450-605	605	64.1	431.9	496	245.5	491	608



Overrun protection.



Releasing lever. Press to pull the drawer out.

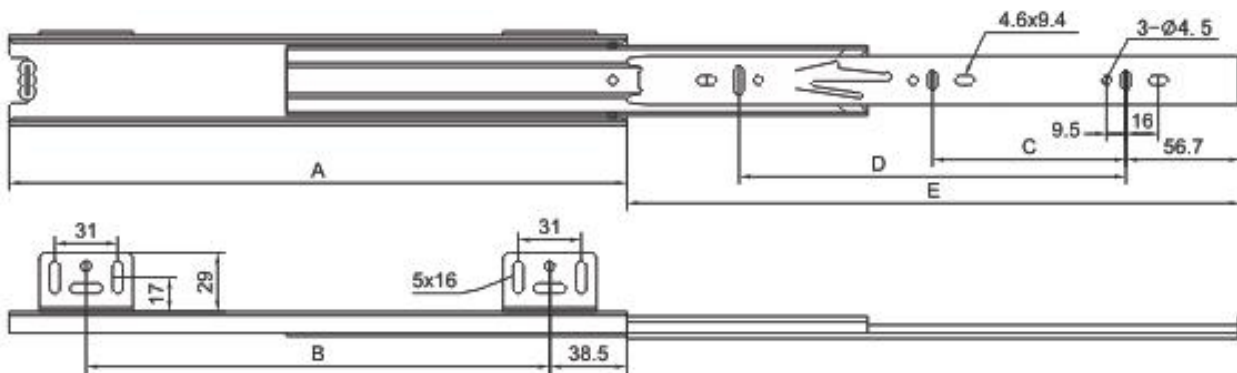


The telescopic mechanism of full extension, ball. Characterized with a smooth and noiseless travel.

Not available in stock! Place order.



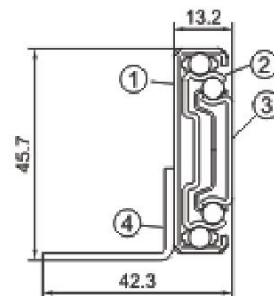
Width: 45 mm
 Length: 14"-22" (inch)
 Thickness:
 1.2x1.2x1.2x2.0 mm
 Color: Zink, Black, Color Zink



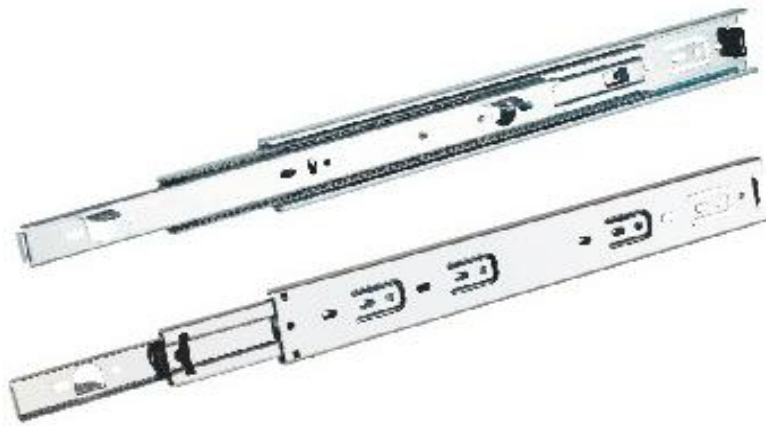
SIZE	A	B	C	D	E
DB4503-350	350	256	120.5	242	350
DB4503-400	400	306	145.5	292	400
DB4503-450	450	356	170.5	342	450
DB4503-500	500	406	195.5	392	500
DB4503-550	550	456	220.5	442	550

Thickness Range

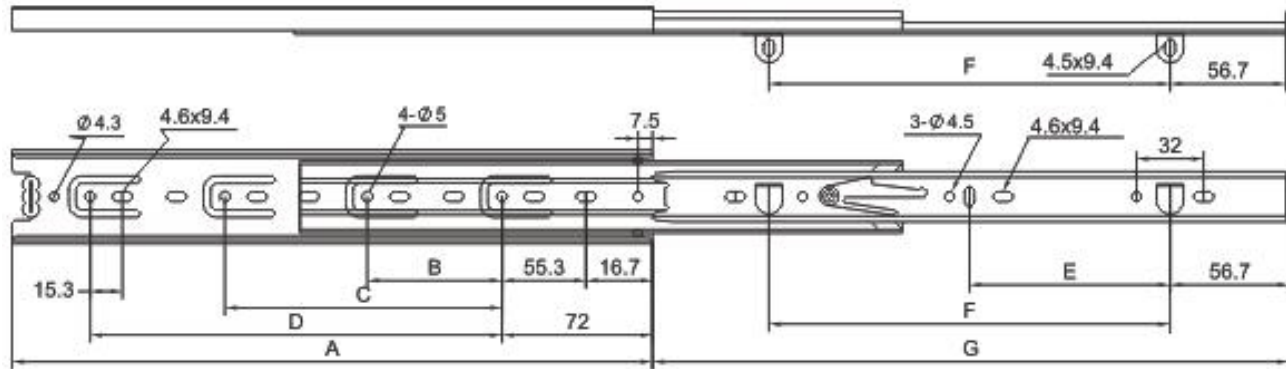
NO	Thickness
①	1.2mm
②	1.2mm
③	1.2mm
④	2.0mm



Not available in stock! Place order.



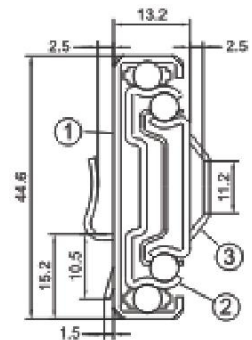
Width: 45 mm
 Length: 10"-24" (inch)
 Thickness:
 1.2x1.2x1.2 mm
 1.2x1.2x1.5 mm
 Color: Zink, Black, Color Zink



SIZE	A	B	C	D	E	F	G
DB 4504-255	255		81.9	146	83.5	167	256
DB 4504-305	305	64.1	131.9	196	95.5	191	302
DB 4504-355	355	64.1	181.9	246	120.5	241	356
DB 4504-405	405	64.1	231.9	296	145.5	291	406
DB 4504-455	455	64.1	281.9	346	170.5	341	456
DB 4504-505	505	64.1	331.9	396	195.5	391	504
DB 4504-555	555	64.1	381.9	446	220.5	441	570
DB 4504-605	605	64.1	431.9	496	245.5	491	608

Thickness Range

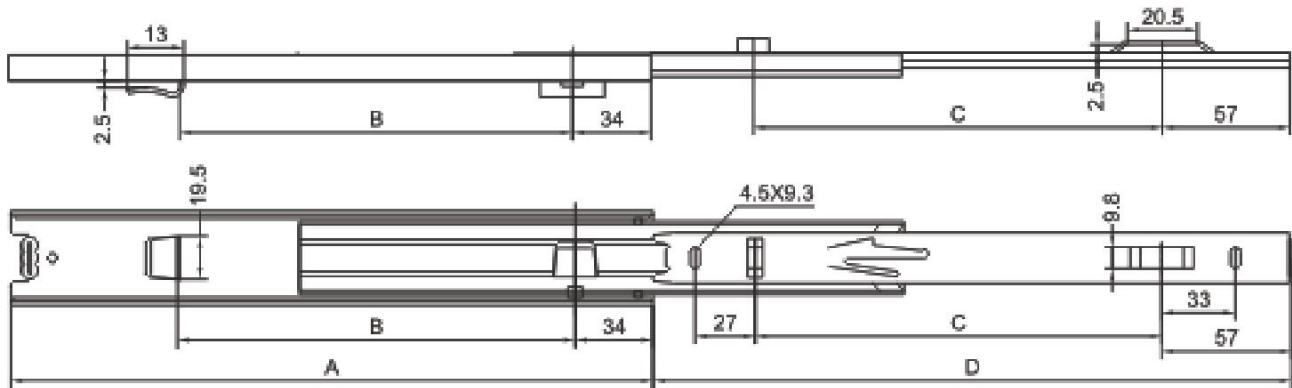
NO	
①	1.2mm
②	1.2mm
③	1.2mm, 1.5mm



Not available in stock! Place order.



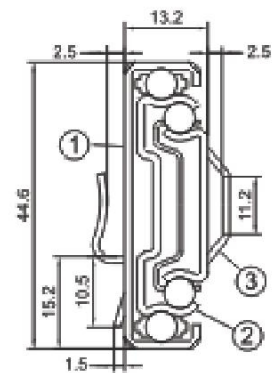
Width: 45 mm
 Length: 14"-22" (inch)
 Thickness:
 1.2x1.2x1.2 mm
 1.2x1.2x1.5 mm
 Color: Zink, Black, Color Zink



SIZE	A	B	C	D
DB4505-250	250	160	145	247
DB4505-300	300	210	195	297
DB4505-350	350	240	245	347
DB4505-400	400	290	295	397
DB4505-450	450	340	345	447
DB4505-500	500	390	395	497
DB4505-550	550	440	445	547
DB4505-600	600	490	495	597

Thickness Range

NO	
①	1.2mm
②	1.2mm
③	1.2mm, 1.5mm



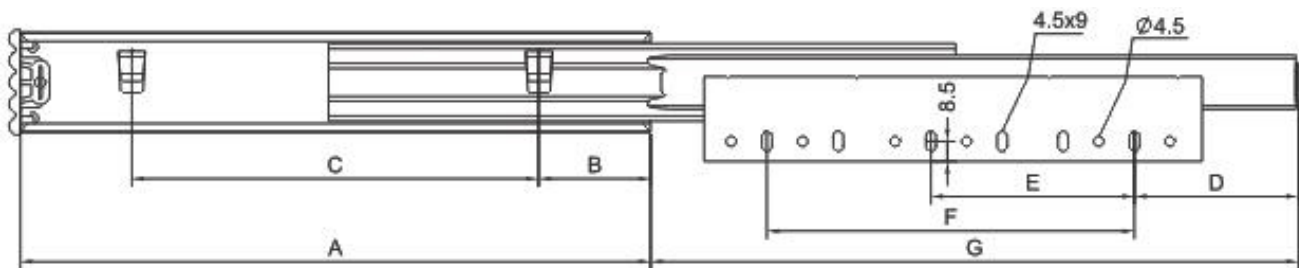
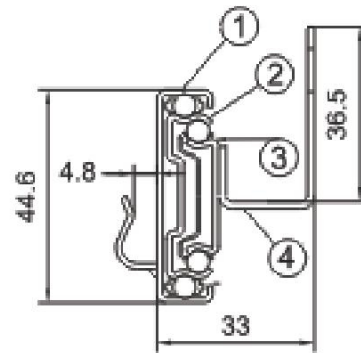
Not available in stock! Place order.



Width: 45 mm
 Length: 18" (inch)
 Thickness:
 1.2x1.2x1.2x1.5 mm
 1.2x1.2x1.5x1.5 mm
 Color: Zink, Black, Color Zink

SIZE	A	B	C	D	E	F	G
DB4506-455	455	100	305	135	128	256	452

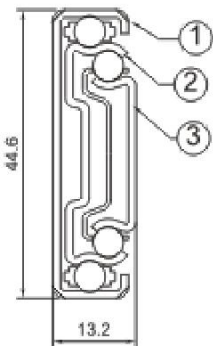
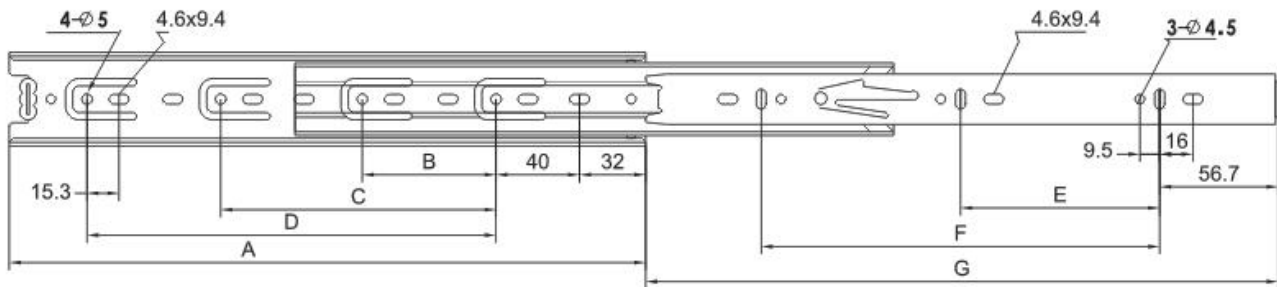
Thickness Range	
NO	
①	1.2mm
②	1.2mm
③	1.2mm, 1.5mm
④	1.5mm



Not available in stock! Place order.



Width: 45 mm
 Length: 10"-24" (inch)
 Material: 202, 304
 Thickness:
 1.2x1.2x1.2 mm
 Color: Satin, Polished



Thickness Range

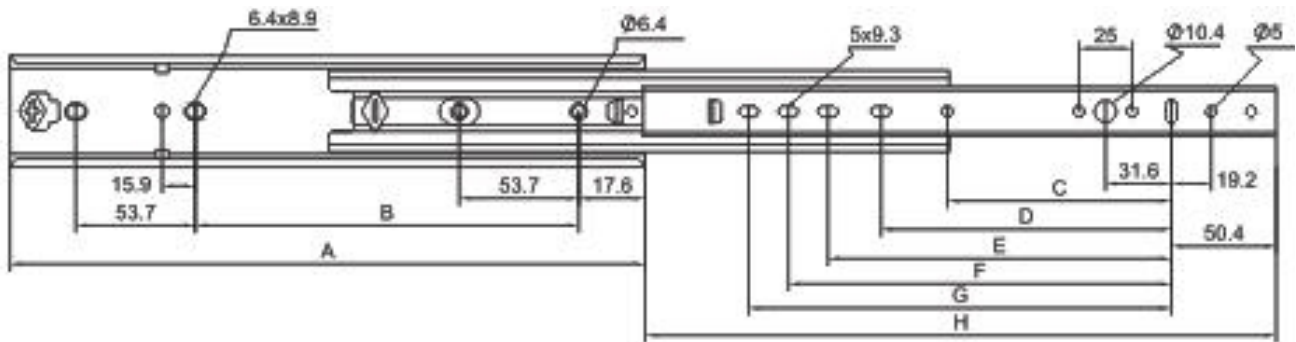
NO	
①	1.0mm 1.2mm
②	1.0mm 1.2mm
③	1.2mm 1.5mm

SIZE	A	B	C	D	E	F	G
HM4518-255	255		81.9	146	83.5	167	256
HM4518-305	305	64.1	131.9	196	95.5	191	302
HM4518-355	355	64.1	181.9	246	120.5	241	356
HM4518-405	405	64.1	231.9	296	145.5	291	406
HM4518-455	455	64.1	281.9	346	170.5	341	456
HM4518-505	505	64.1	331.9	396	195.5	391	504
HM4518-555	555	64.1	381.9	446	220.5	441	570
HM4518-605	605	64.1	431.9	496	245.5	489	608

Not available in stock! Place order.



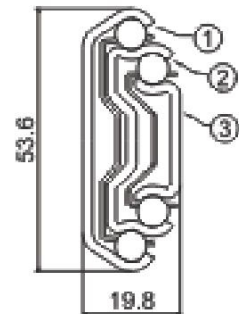
Width: 53 mm
 Length: 12"-24" (inch)
 Thickness:
 2.0x2.0x2.0 mm
 Color: Zink, Black, Color Zink



SIZE	A	B	C	D	E	F	G	H
DB5301-305	305	184		135.5	161	180	201	303.5
DB5301-356	355	235		186.5	212	231	260	355
DB5301-407	407	286	107.5	237.5	263	282	311	404
DB5301-457	457	336	107.5	278.5	313	332	361	455
DB5301-506	506	385	107.5	336.5	362	381	410	504.5
DB5301-559	559	438	107.5	389.5	415	434	463	557.5
DB5301-610	610	489	107.5	440.5	466	485	514	608.5

Thickness Range

NO	
①	2mm
②	2mm
③	2mm



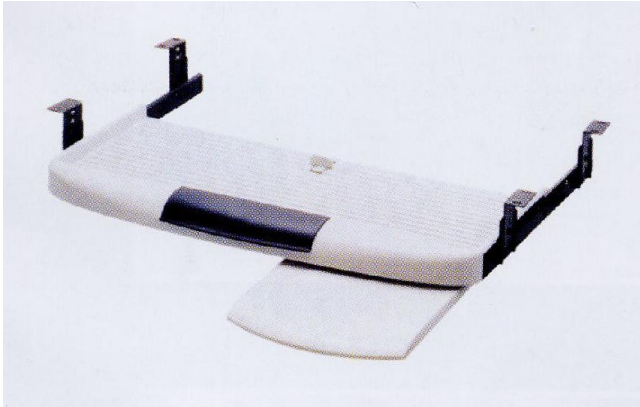
Not available in stock! Place order.

KB801



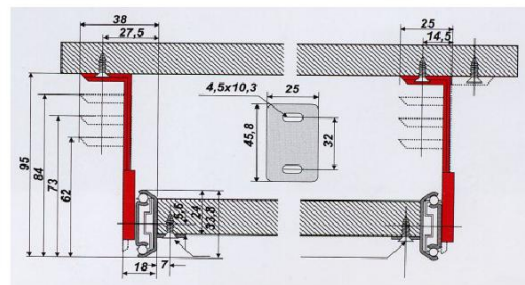
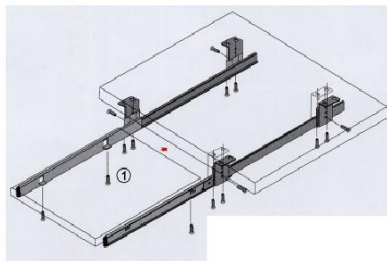
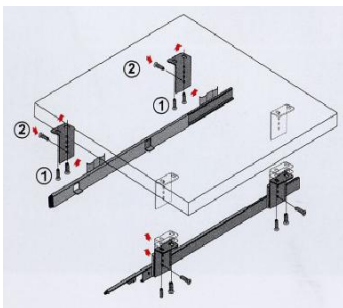
Slide: DB3501, DB2703
Color: White

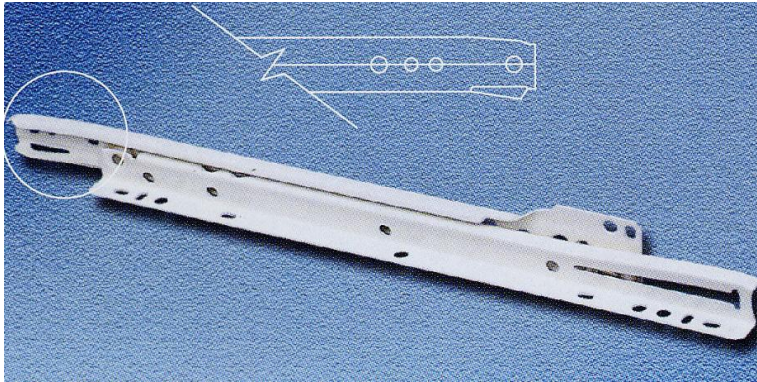
KB803



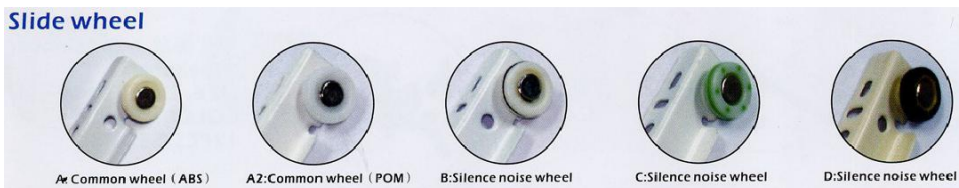
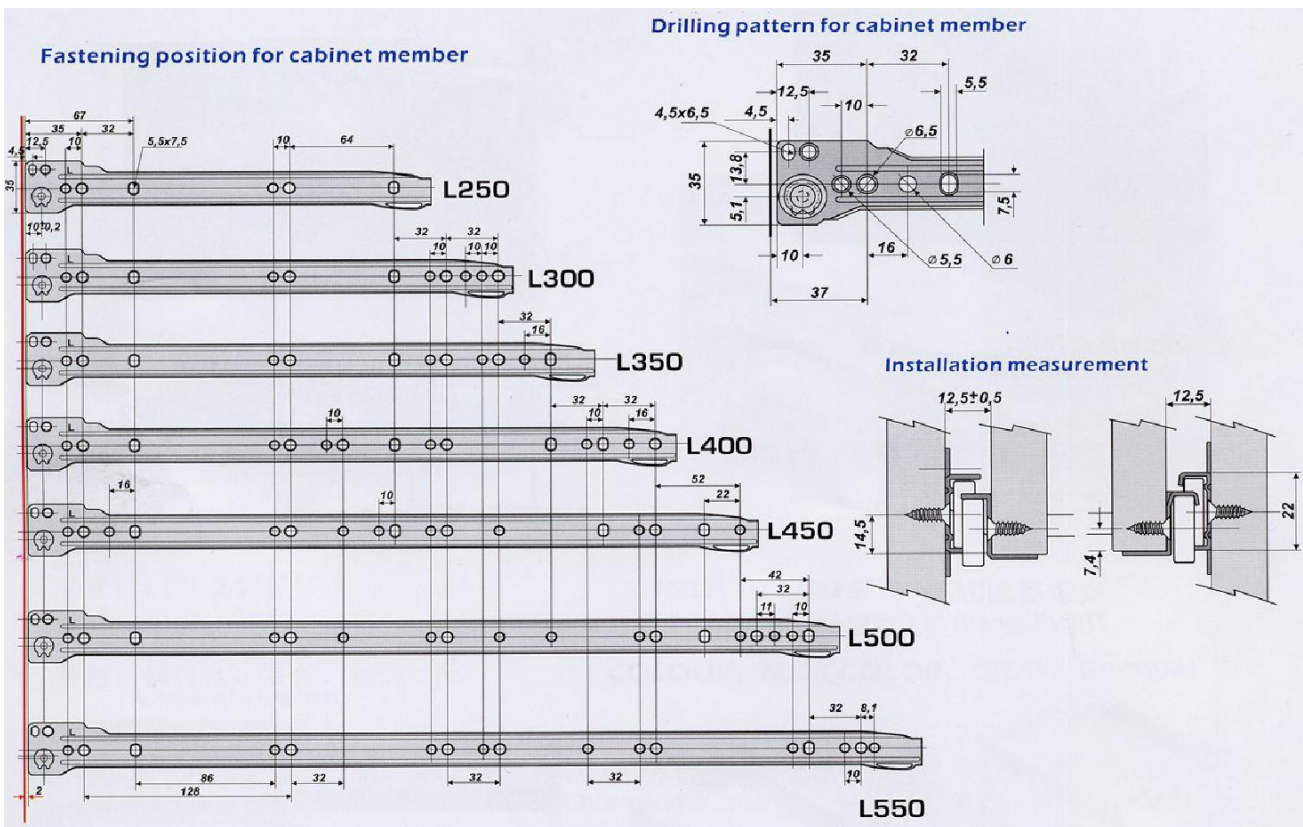
Slide: DB3501, DB2703
Color: White

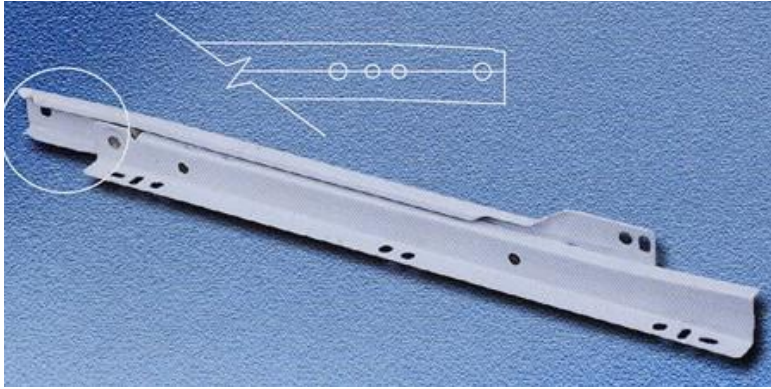
The diagram of fixing to the body and to the drawer, matching and installation



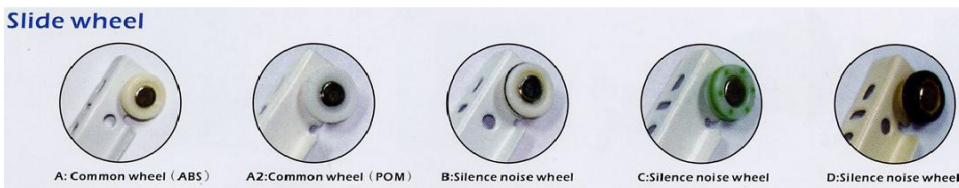
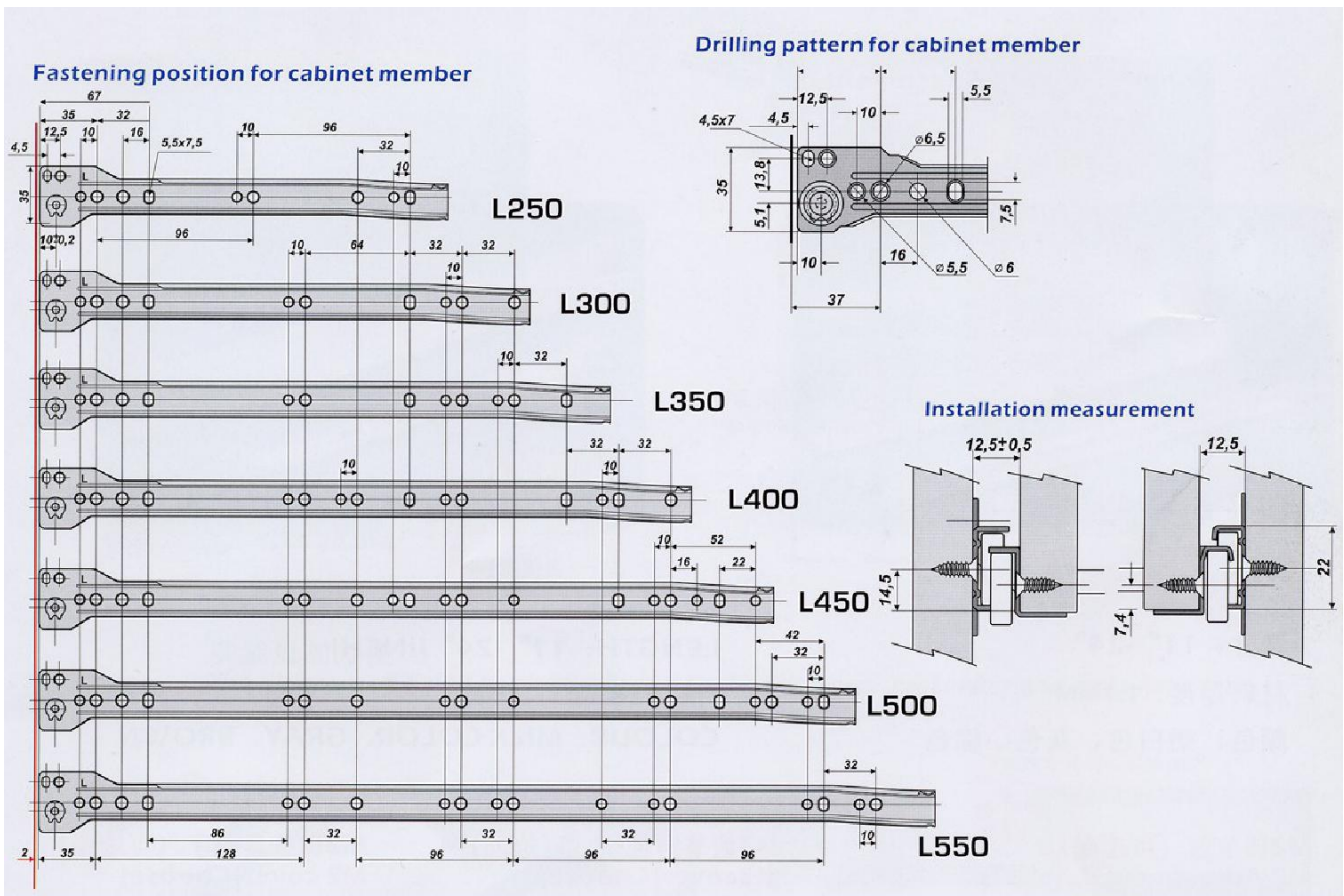


Size: 10"-24" (inch)
 Thickness:
 0.8, 0.9, 1.0, 1.2mm
 Color: Pure White, Milk
 Color, Brown, Black, Gray





Size: 10"-24" (inch)
 Thickness:
 0.8, 0.9, 1.0, 1.2mm
 Color: Pure White, Milk
 Color, Brown, Black, Gray

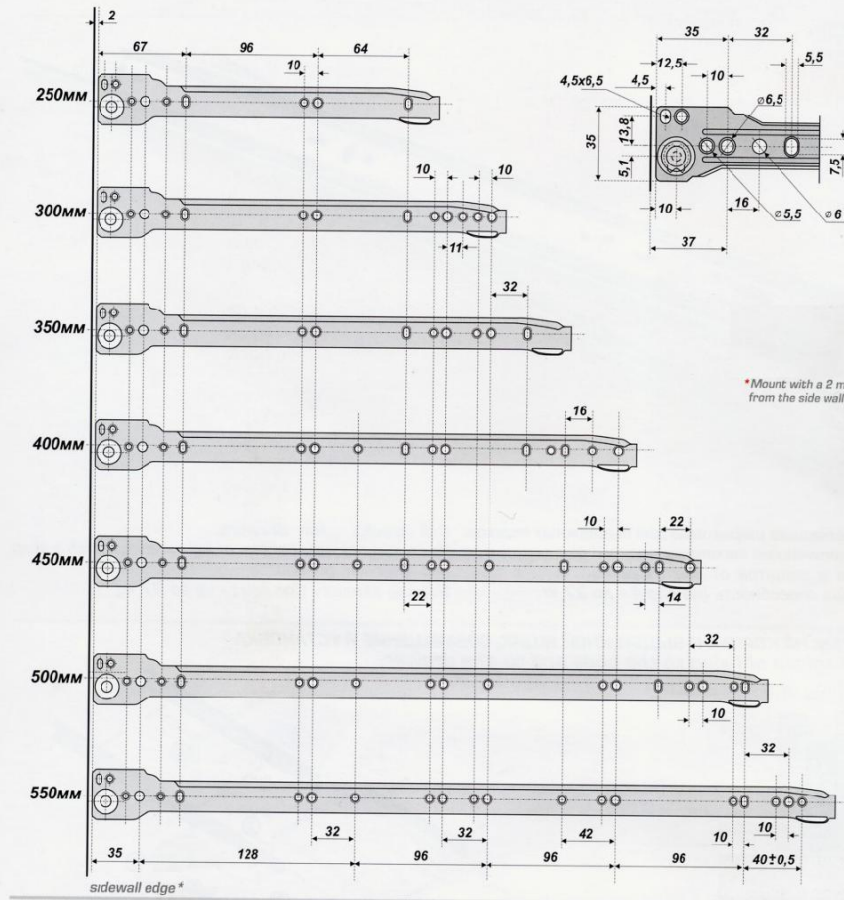




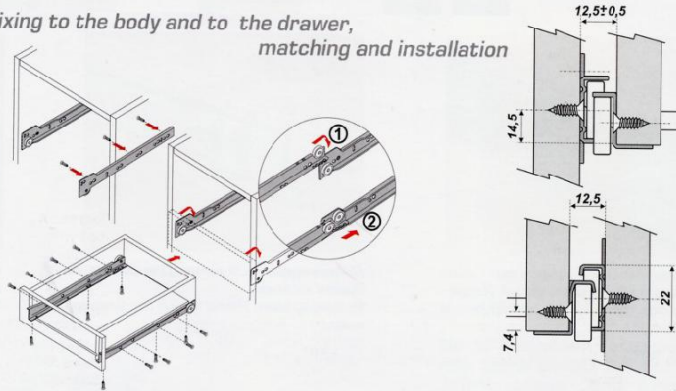
DS - 803

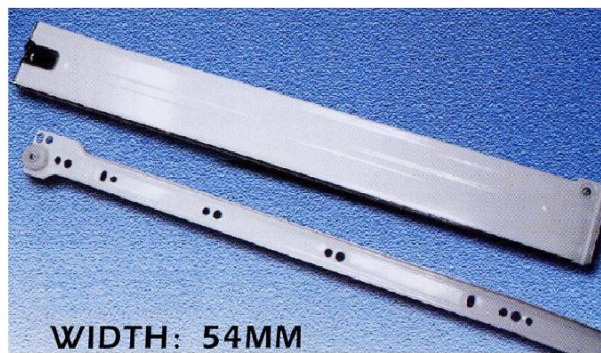
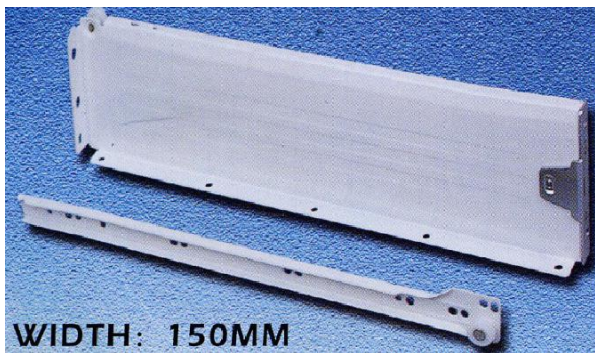
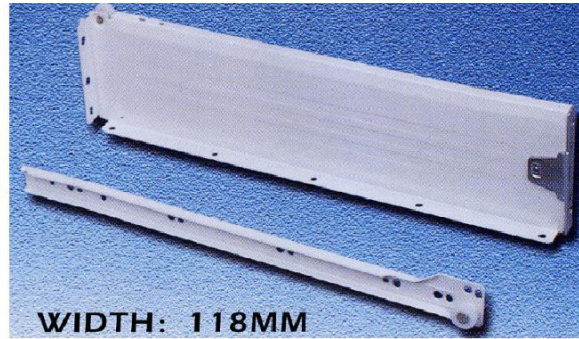
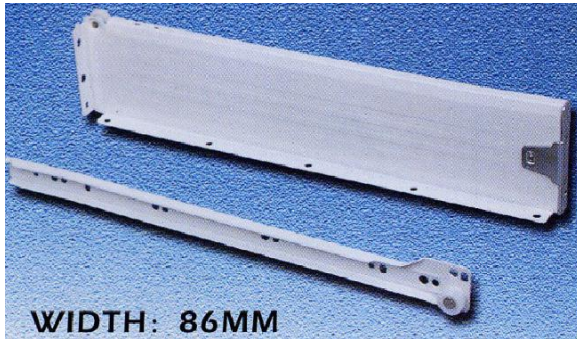


DS - 804

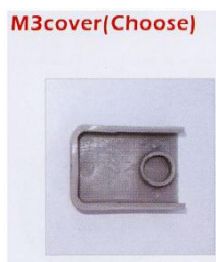
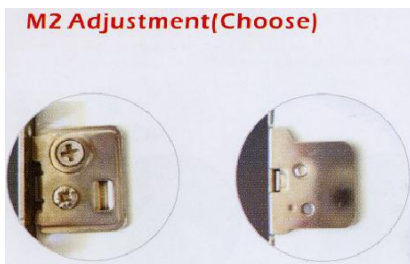


The diagram of fixing to the body and to the drawer, matching and installation

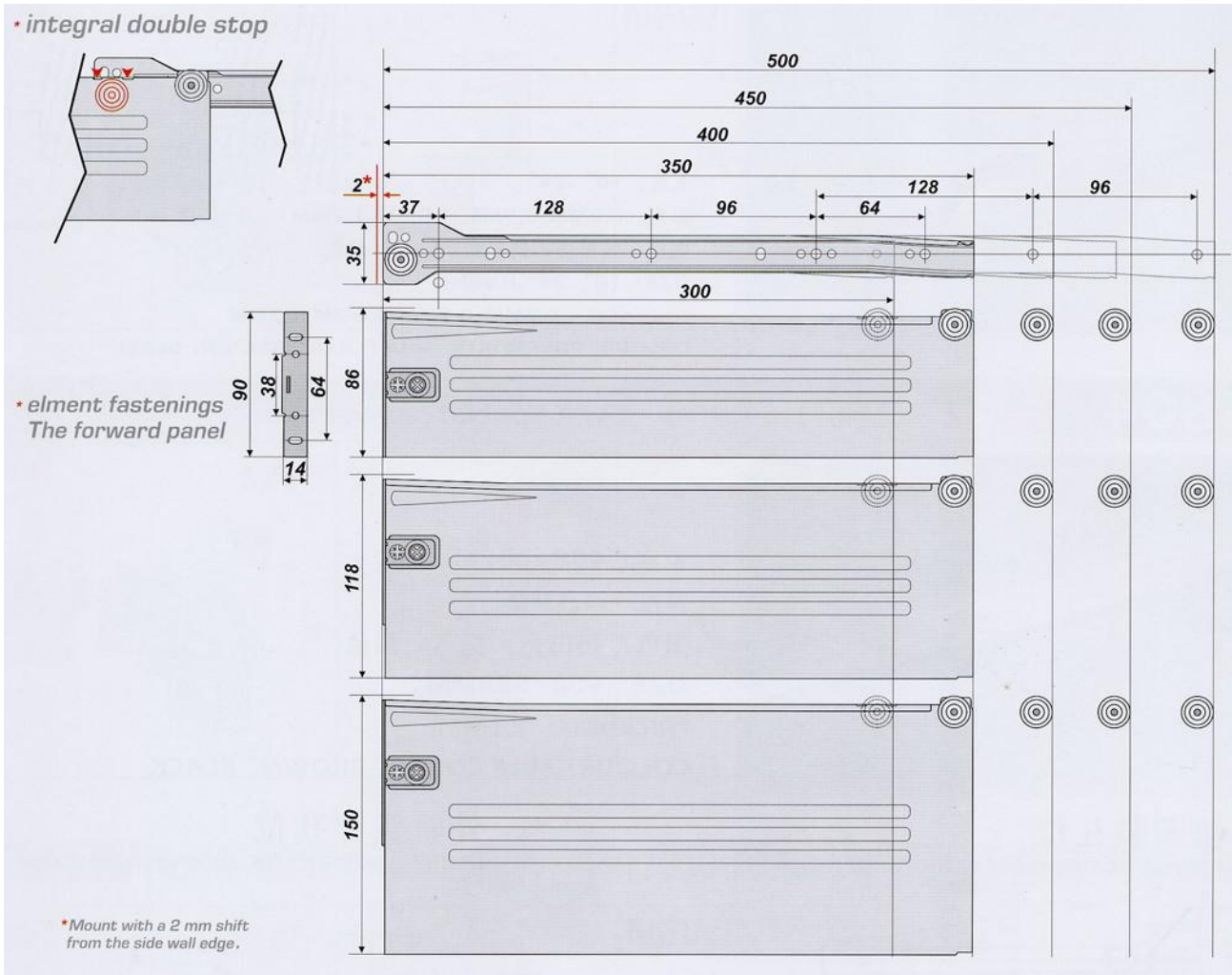




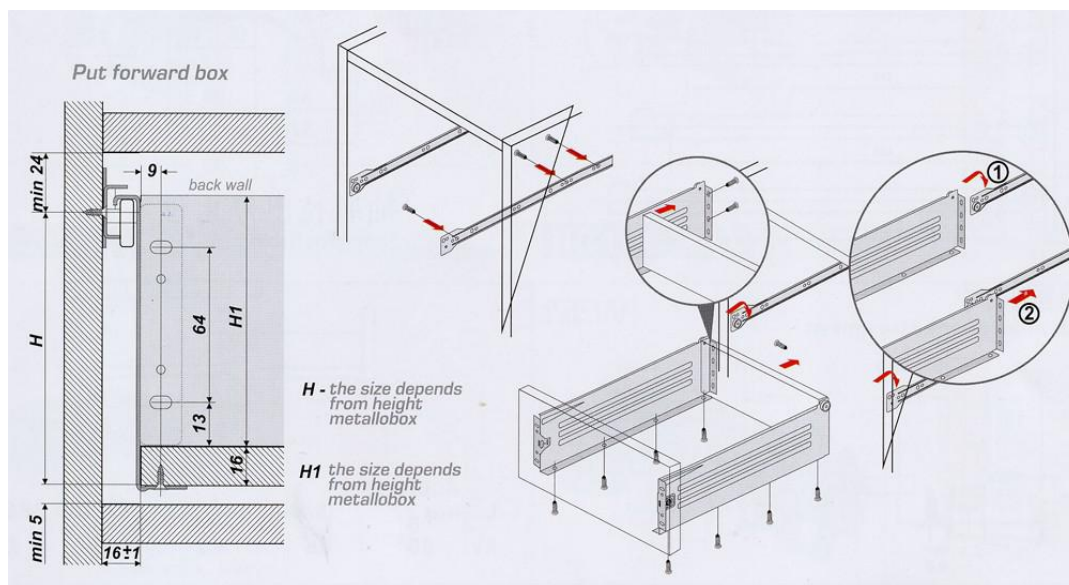
Length: 11"-24" (inch)
Thickness: 1.1mm
Color: Milk Color, Brown, Gray



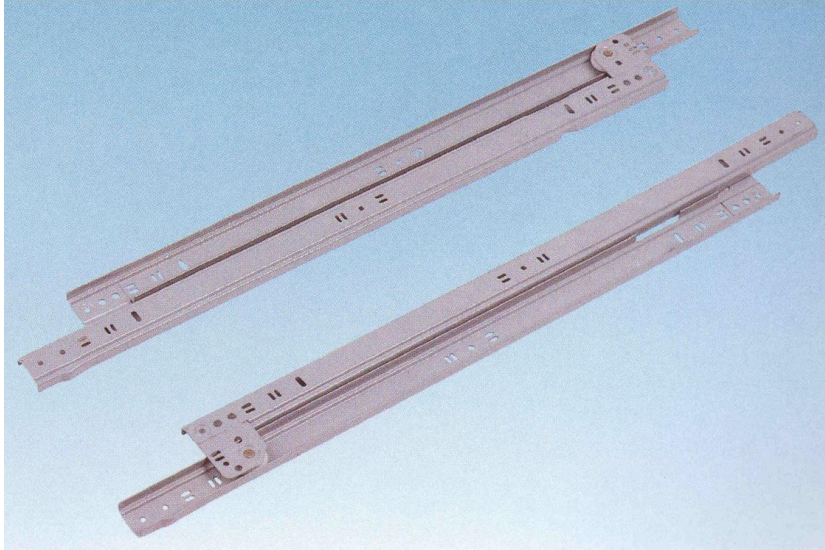
Not available in stock! Place order.



The diagram of fixing to the body and to the drawer, matching and installation

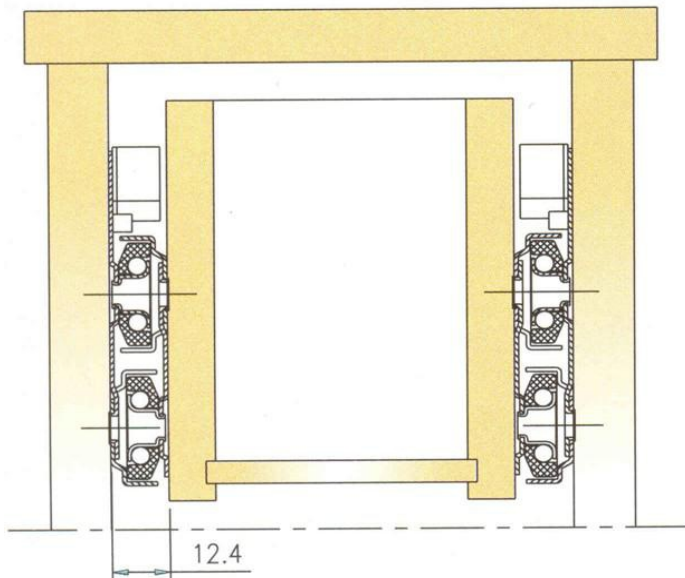


Not available in stock! Place order.



Thickness: 1.1mm
Color: as per
customer's requirement

Assembling Dimension:



QUANTUM HARDWARE LLC

2017

Quantum Hardware, LLC
2170 Commerce Avenue, Suite E
Concord, CA 94520
Office phone: 1-925-674-1679
E-mail: quantumhardware@gmail.com
Website: www.quantum-hardware.com