

# ***Auto34R Tire Changer***

***Simple operation and unmatched capability***

**NEW**



# Key Features at a Glance

## **NEW** Diameter Control



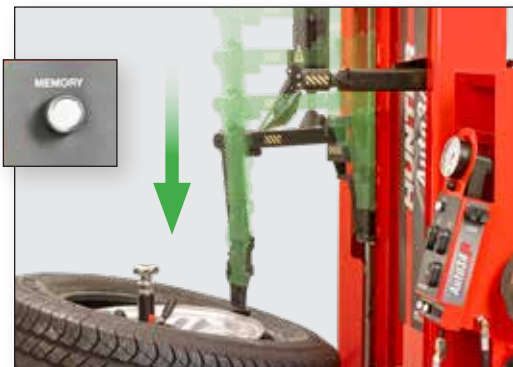
- ✓ Telescoping chassis brings the wheel into position
- ✓ Electrical actuation is smooth and precise

## Push-Button Controls



- ✓ Simple, three-button control
- ✓ Easiest operation in its class

## Memory Function



- ✓ One button returns mount head to rim height
- ✓ Saves time and mistakes



TCA34R





**UPDATED**

## High Volume Blast Tank

- ✓ High volume blast tank to seat large truck and SUV tires

**PATENTED**

## Leverless Tool Head



- ✓ Positions bead without levers
- ✓ Prevents damage to tire and rim
- ✓ Adds operator safety

**STANDARD**

## Wheel Lift



- ✓ Ergonomic, space saving design
- ✓ Easily and safely lift large assemblies

**UPDATED**

## Bead Press Arm



- ✓ Helps mount and demount difficult tires
- ✓ Center mounted for a tight swing radius for compact footprint

## Bead Breaking Rollers



- ✓ Gently loosens bead from rim
- ✓ No rim contact
- ✓ Indents automatically

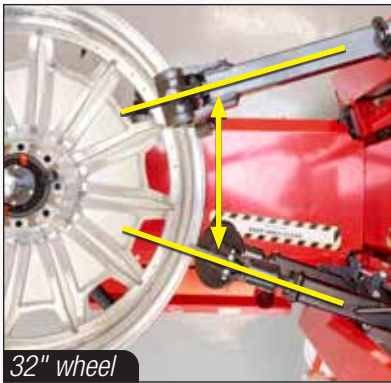
**EXCLUSIVE**

## Wheel Support Plate

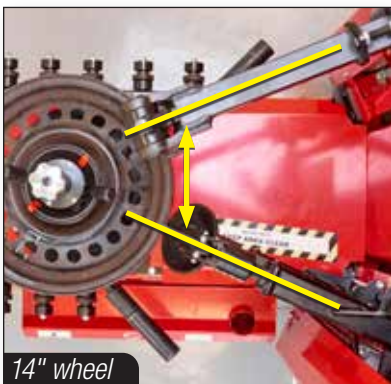


- ✓ Handles wide range of wheels
- ✓ Provides extra gripping force
- ✓ Three adjustable work heights

## **NEW** *Precise Diameter Adjustment*



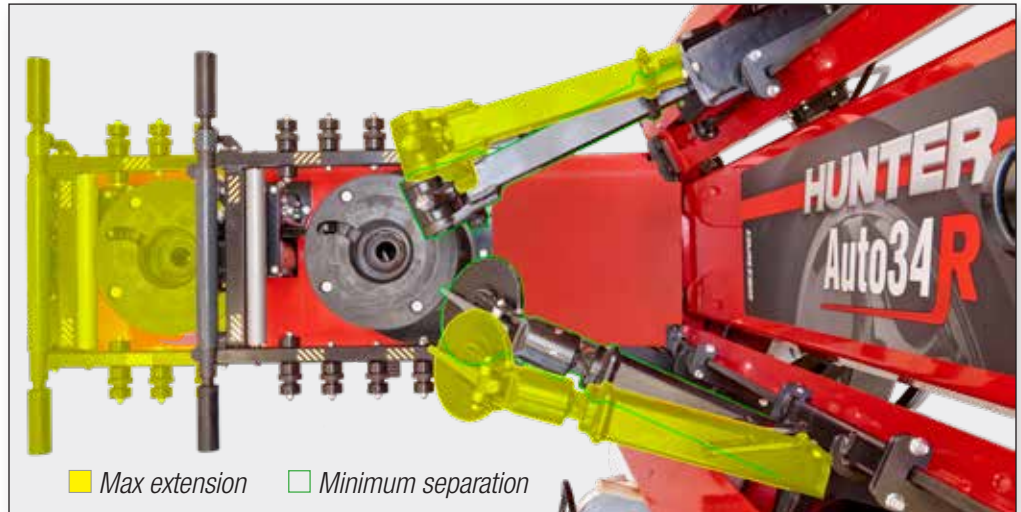
32" wheel



14" wheel

- ✓ Electric actuator movement is smooth and precise
- ✓ Integrated cams keep rollers and toolhead at the optimal angle for all wheels
- ✓ Reduces mounting forces with perfect alignment of head and rim
- ✓ Adjusts for 10" to 34" wheels at the press of a button

*SEE IT IN ACTION*  
Scan QR code or visit  
[www.hunter.com/auto34r](http://www.hunter.com/auto34r)



■ Max extension    □ Minimum separation

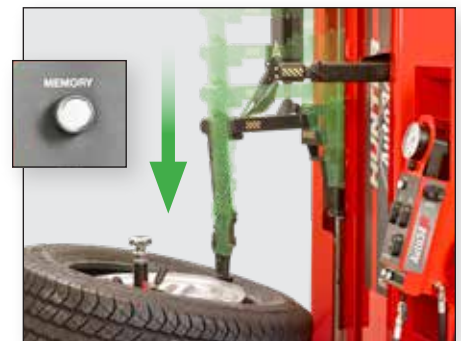
## *Simple Controls*



- ✓ Easy-to-operate, intuitive controls
- ✓ Three switches and one foot pedal control virtually all tire changing operations
- ✓ Includes manual controls for advanced or special techniques



*Inflation, rotation and wheel lift operations are controlled by three foot pedals.*



*Memory function saves time by returning the mount head to the last position.*



PATENTED

# Dynamic Leverless Tool Head

## Demounting



Tool head inserts into tire, pulls bead over and demounts in one fluid down/up motion.

## Mounting



Thin, broad head alleviates stress on bead, and is durable enough to withstand immense mounting forces.

# Versatile Clamping System

- ✓ Adjusts to three working heights
- ✓ Handles wide range of rim diameters
- ✓ Cam action tightens as wheel turns
- ✓ Services reverse and standard wheels in same manner



*Comfortable clamp handle reduces fatigue.*



*Three easily adjustable clamping heights provide the versatility you need.*

PATENTED



*Cam plate rises to exert additional gripping force.*



*Rubber insert protects expensive reverse wheels.*

# Enhanced Features to Make Your Tire Service Faster and Easier



## Bead loosening roller auto-indentation

Sensor detects when roller is under rim flange and automatically indents bead loosening disc.



## **UPDATED** Bead press arm

Assists with mounting and demounting by pushing the tire into the drop center.



## **UPDATED** Powerful blast inflation

Directs large blast of compressed air exactly where needed to seat the bead.



## Motor & drive

- ✓ Variable RPM offers perfect speed and control
- ✓ High-powered electric motor delivers over 850 ft-lbs. of torque

## Match-mounting



The Auto34R's bead rollers allow spinning of tire on rim, helping match-mount stiffest point on tire to low spot on rim.



When used with Hunter's Road Force Elite®, the Auto34R quickly and easily helps eliminate vibration problems balancers alone can't fix.

# Standard Accessories

The Auto34R tire changer comes equipped to handle virtually all common tire and wheel combinations.

<b>A</b>	<b>RP6-G1000A138</b>	Quick Clamp
<b>B</b>	<b>RP6-710090480</b>	Pin protector (2)
<b>C</b>	<b>RP6-710012940</b>	Pin extension
<b>D</b>	<b>145-341-2</b>	Air chuck
<b>E</b>	<b>RP6-710090730</b>	Traction bar
<b>F</b>	<b>148-133-2</b>	Lubrication oil
<b>G</b>	<b>179-15-2</b>	Glasses
<b>H</b>	<b>221-659-2</b>	Bead starting tool
<b>I</b>	<b>RP6-3784</b>	Paste
<b>J</b>	<b>RP6-1506</b>	Paste brush
<b>K</b>	<b>RP6-710013421</b>	Support plate cover (2)
<b>L</b>	<b>RP6-710014120</b>	Toolhead (2)
<b>M</b>	<b>RP6-1157</b>	Two-sided cone
<b>N</b>	<b>RP6-G1000A86</b>	Mirror



# Optional Accessories



**Flange plate kit  
RP6-G1000A87**  
Ideal for plastic-faced wheels or reverse wheels where maximum protection is needed.



**19.5-inch wheel adaptor  
20-2341-1**  
Adds clamping capability for 19.5 in. wheels with large center holes.



**Long pins  
RP6-G1000A102**  
Allows servicing of reverse wheels with extra deep spokes. For use with flange plate (RP6-G1000A87).



**PAX® Tire System kit  
RP6-G1000A73**  
Allows servicing Michelin® PAX® systems.



**Basic flange plate kit  
RP6-G1000A123**  
Ideal for shops that handle plastic-clad wheels without need of reverse applications.

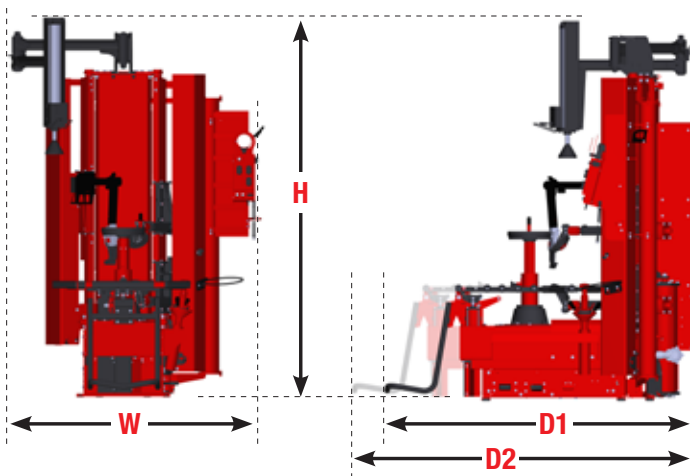


# Specifications

<b>Power requirements</b>	208-230V, 6A, 60Hz, 1ph NEMA 20 amp plug, L6-20P
<b>Air supply requirements</b>	115-175 psi (8-12 bar)
<b>Mount / demount tool</b>	Self-inserting, polymer leverless head
<b>Clamping type</b>	Center w/Quick Clamp and cam plate
<b>Bead loosening type</b>	Upper and lower roller
<b>Match-mounting capable</b>	Yes
<b>Adjustable clamping height</b>	Yes
<b>Rim diameter range</b>	10-34 in.
<b>Maximum...</b>	
Tire diameter	65 in.
Wheel width	19 in.
<b>Drive</b>	Variable up to 14 rpm CW, 7 rpm CCW
Torque	867 ft-lbs (1175 Nm)
<b>Shipping weight</b>	1172 lbs (531 kg)
<b>Dimensions</b>	
Height ( <b>H</b> )	81" (2067 mm)
Width ( <b>W</b> )	59" (1494 mm)
Depth ( <b>D1</b> )	65" (1651 mm) – chassis retracted
Depth ( <b>D2</b> )	79" (2015 mm) – chassis extended



TCA34R



Because of continuing technological advancements, specifications, models and options are subject to change without notice.

0321AH

Copyright © 2021, Hunter Engineering Company

**HUNTER**  
Engineering Company

[www.hunter.com](http://www.hunter.com)

Form CB07864-00, 03/21