



Mont AlpiTM

Peak Performance



Mont Alpi™

Peak Performance





THE MONT ALPI STORY

At Mont Alpi, we are committed to empowering outdoor cooks of all levels to achieve their culinary goals. Driven by a passion for outdoor cooking, we design and craft innovative, high quality grills that make it easy to create delicious meals that impress friends and family.

As a family-run business with over 45 years of experience in the grilling industry, we understand the importance of crafting durable and expertly designed grills to ensure peak performance. That's why we created a range of modular, 'plug-and-play' outdoor kitchen islands and grills that deliver outstanding cooking experiences. With

our expanded range of products, you can find the perfect configuration to fit your outdoor setting.

We're more than just a grill manufacturer; we're a community of enthusiasts dedicated to supporting and guiding our customers every step of the way. Whether you have a question about one of our products or need some grilling advice, we are always here to help.

With Mont Alpi Grills, effortless outdoor cooking and masterful meals are just a grill away. Making you the peak performing outdoor chef of your neighborhood.

CONTENTS

MONT ALPI DELUXE SERIES

- p4 MAi805-D Series Specifications
- p5 MAi805-D Series 6-Burner Setup Options
- p6 MAi400-D Series Specifications
- p7 MAi400-D Series 4-Burner Setup Options

MONT ALPI ORIGINAL SERIES

- p8 MAi805 Series Specifications
- p9 MAi805 Series 6-Burner Setup Options

MONT ALPI BLACK STAINLESS-STEEL

- P10 MAi805-BSS Series Specifications
- p11 MAi805-BSS Series 6-Burner Setup Options

MONT ALPI BUILT-IN GRILLS

- p12 MABi805 Built-in 6-Burner
- p13 MABi400 Built-in 4-Burner

MONT ALPI REFRIGERATION

- p14 Mont Alpi Keg Center
- p16 Mont Alpi Beverage Centers
- p18 Mont Alpi Refrigerator Modules

MONT ALPI PORTABLES & PIZZA

- p19 Mont Alpi Pizza Oven
Mont Alpi 3-in-1 Grill

MONT ALPI ACCESSORIES

- p20 Grill Covers
- P21 Other Accessories

MONT ALPI CUSTOMER SUPPORT

- p22 Customer Support
Warranties



Experience the Peak Performance and Epitome of Deluxe Outdoor Grilling with the **MontAlpi™ MAi805-D SERIES**



MAi805-D90FC

MAi805-D 6-BURNER SPECIFICATIONS

- 115,000 BTU Heat Output
- Cooking surface 38"x18" (exc. Warming rack)
- All 304 Stainless Steel components:
 - Six 304 Stainless Steel Burners
 - 8mm 304 Stainless Steel Cooking Grills
 - Warming Rack 304 Stainless Steel
- Ceramic infrared rear and side burners
- Rotisserie Kit with Electric Motor
- Easy access Full Front Grease Tray
- Composite Granite Surfaces and Sides (White)
- Two Cooking Surface Halogen Lights
- Bottle Opener
- Weather Cover
- Electronic Ignition
- Temperature Gauge
- Granite Chopping Board
- On/Off red/blue changing color control knob lights
- Large Roller Ball Drawers
- Gliding Rubber Castor Wheels and Leveling Feet
- Propane Ready, easily Convertible to Natural Gas
- - Propane Hose and Regulator
- - Propane Tank Pull Out
- **SECTIONS ARRIVE ASSEMBLED *except corners**



MAi805-D SERIES 6-BURNER SETUP OPTIONS



MAi805-D



MAi805-D45C



MAi805-D45FC



MAi805-D90C



MAi805-D90BEV



MAi805-D90BEVFC



MAi805-DBEV



MAi805-DBEVFC



MAi805-DFC

Experience all the power you need to cook your meals to perfection with the **MontAlpi™ MAi400-D SERIES**



MAi400-DFC

MAi400-D 4-BURNER SPECIFICATIONS

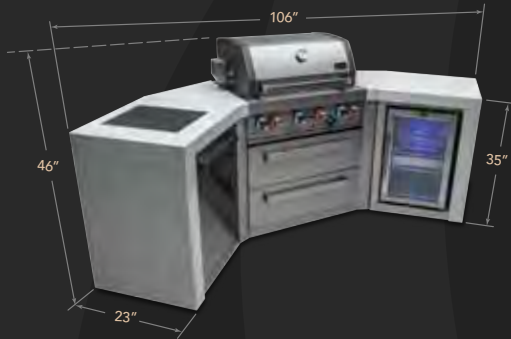
- 78,000 BTU Heat Output
- Cooking surface 28"x18" (exc. Warming rack)
- All 304 Stainless Steel components-
 - Four 304 Stainless Steel Burners
 - 8mm 304 Stainless Steel Cooking Grills
 - Warming Rack 304 Stainless Steel
- Ceramic infrared rear and side burners
- Two Cooking Surface Halogen Lights
- Rotisserie Kit with Electric Motor
- Composite Granite Surfaces and Sides (White)
- Bottle Opener
- Weather Cover
- Temperature Gauge
- Electronic Ignition
- Granite Chopping Board
- Large Roller Ball Drawers
- On/Off red/blue changing color control knob lights
- Gliding Rubber Castor Wheels and Leveling Feet
- Propane Ready, easily Convertible to Natural Gas
- - Propane Hose and Regulator
- - Propane Tank Pull Out
- **SECTIONS ARRIVE ASSEMBLED *except corners**



MAi400-D SERIES 4-BURNER SETUP OPTIONS



MAi400-D45



MAi400-D45FC



MAi400-D90C



MAi400-D90FC



MAi400-D90BEV



MAi400-D90BEVFC



MAi400-DBEV



MAi400-DBEVFC



MAi400-D990KEGFC

Experience the quality and longevity of our original line of grills - where it all began

Mont Alpi™ MAi805 SERIES



MAi805

MAi805 6-BURNER SPECIFICATIONS

- 115,000 BTU Heat Output
- Cooking surface 38"x18" (exc. Warming rack)
- All 304 Stainless Steel components:
 - Six 304 Stainless Steel Burners
 - 8mm 304 Stainless Steel Cooking Grills
 - Warming Rack 304 Stainless Steel
- Electronic Ignition
- Ceramic infrared rear and side burners
- Easy access Full Front Grease Tray
- Composite Granite Surfaces and Sides (White)
- Two Cooking Surface Halogen Lights

- Bottle Opener
- Temperature Gauge
- Granite Chopping Board
- Large Roller Ball Drawers
- On/Off red/blue changing color control knob lights
- Gliding Rubber Castor Wheels and Leveling Feet
- Propane Ready, easily Convertible to Natural Gas
- - Propane Hose and Regulator
- - Propane Tank Pull Out
- **SECTIONS ARRIVE ASSEMBLED *except corners**

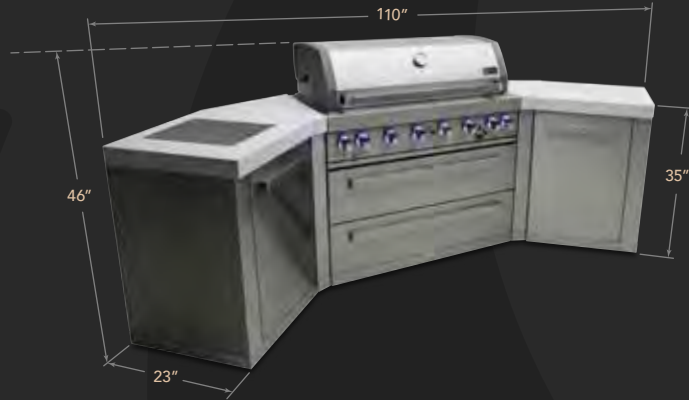
Option to add Weather Cover

Option to add a Rotisserie Kit / Electric Motor



MAi805

MAi805 SERIES 6-BURNER SETUP OPTIONS



MAi805-45C



MAi805-90C



MAi805-90BEV



MAi805-BEV

The perfect combination of performance and luxury for those seeking a little extra opulence

MontAlpi™ MAi805-BSS SERIES



MAi805-BSSBEV

MAI805-BSS SERIES SPECIFICATIONS:

- 115,000 BTU Heat Output
- Cooking surface 38"x18" (exc. Warming rack)
- All 304 Stainless Steel components
 - Six 304 stainless steel burners
 - 8mm 304 stainless steel cooking grills
 - Warming rack 304 stainless steel
- Electronic Ignition
- Ceramic infrared rear and side burners
- Rotisserie kit with electric motor
- Temperature Gauge
- Easy access Full Front Grease Tray
- Composite Granite Surfaces (White)



MAi805-BSSBEV

- Granite Chopping Board
- Bottle Opener
- Weather Cover
- Two Cooking Surface Halogen Lights
- On/Off red/blue changing color control knob lights
- Large Roller Ball Drawers
- Gliding Rubber Castor Wheels and Leveling Feet
- Propane Ready, easily Convertible to Natural Gas
- - Propane Hose and Regulator
- - Propane Tank Pull Out
- **SECTIONS ARRIVE ASSEMBLED *except corners**

MAI805-BSS SERIES 6-BURNER SETUP OPTIONS



MAi805-BSS



MAi805-BSSFC



MAi805-BSS45FC



MAi805-BSS90C



MAi805-BSS45C



MAi805-BSS90BEVFC



MAi805-BSS90BEV



MAi805-BSSBEVFC



MABi400

Make your backyard the heart of your home and bring your family together with **Mont Alpi™** BUILT-IN GRILLS

MONT ALPI BUILT-IN GRILLS ARE THE PERFECT ADDITION TO ANY AMERICAN BACKYARD KITCHEN BUILD!

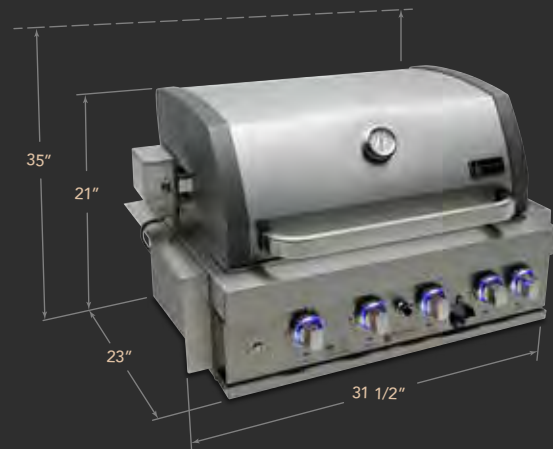
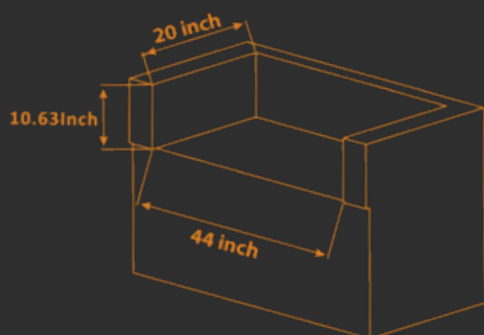
Mont Alpi Built-in Grills are built to provide ample space for you to cook for your loved ones and bring your family together for delicious meals and memories. Both the four and a six burner built-in models come with ceramic infrared rear burners,

and all 304 stainless steel components. Each grill is ready to use straight out of the box. They also include a rotisserie kit with electric motor, bottle opener, weather cover, two cooking surface halogen lights, on/off red/blue color changing control knob lights, and electronic ignition, making it easy to create a delicious meal for your family. Bring your family together with a Mont Alpi Built-in Grill and make your backyard the heart of your home.



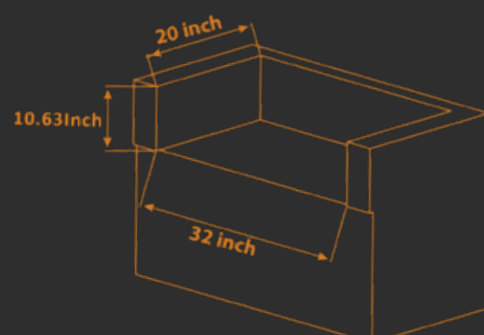
MABi805 - BUILT IN 44" GRILL

- 87,000 BTU Heat Output
- Cooking surface 38"x18" (exc. Warming rack)
- All 304 stainless steel components
 - Six 304 stainless steel burners
 - 8mm 304 stainless steel cooking grills
 - Warming rack 304 stainless steel
- Ceramic Infrared Rear Burner
- Rotisserie Kit with Electric Motor
- Temperature Gauge
- Two Cooking Surface Halogen Lights
- On/Off red/blue changing control knob lights
- Electronic Ignition
- Bottle Opener
- Weather Cover
- Propane Ready
- - Propane Hose and Regulator
- - Easily Convertible to Natural Gas
- Easy access Full Front Grease Tray
- **DELIVERED FULLY ASSEMBLED**



MABi400 - BUILT IN 32" GRILL

- 63,000 BTU Heat Output
- Cooking surface 28"x18" (exc. Warming rack)
- All 304 stainless steel components
 - Four 304 stainless steel burners
 - 8mm 304 stainless steel cooking grills
 - Warming rack 304 stainless steel
- Ceramic Infrared Rear Burner
- Rotisserie Kit with Electric Motor
- Temperature Gauge
- Two Cooking Surface Halogen Lights
- On/Off red/blue changing control knob lights
- Electronic Ignition
- Bottle Opener
- Weather Cover
- Propane Ready
- - Propane Hose and Regulator
- - Easily Convertible to Natural Gas
- Easy access Full Front Grease Tray
- **DELIVERED FULLY ASSEMBLED**



Say goodbye to warm beer
and say hello to endless cold brews

Mont Alpi™ KEG CENTER

Keep the good times rolling with a **Mont Alpi Keg Center**—the perfect addition to your backyard party scene. The module comes with an outdoor rated fridge that holds up to 3 pony kegs with three taps. The unit is topped with white granite and works as a module for any

stainless steel Mont Alpi island or as a stand alone unit. The Mont Alpi Keg Center is perfect for when you're hosting backyard BBQs, parties, and events. With the Mont Alpi Keg Center Module, you'll be the ultimate host and the envy of your neighborhood.





MAi805-DKEGBEV



The Mont Alpi Kegerator is a sophisticated freestanding unit and is also compatible with all stainless-steel islands.

MAi805-D90KEGBEV



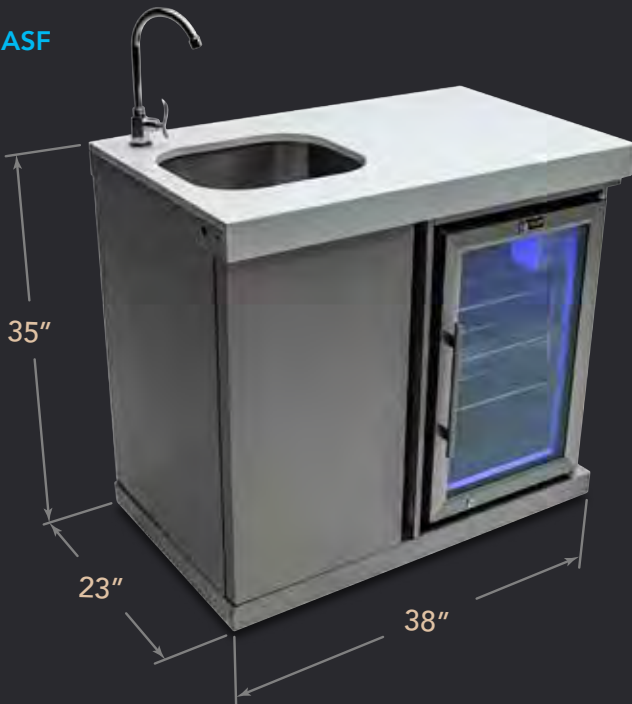
MA-KEG



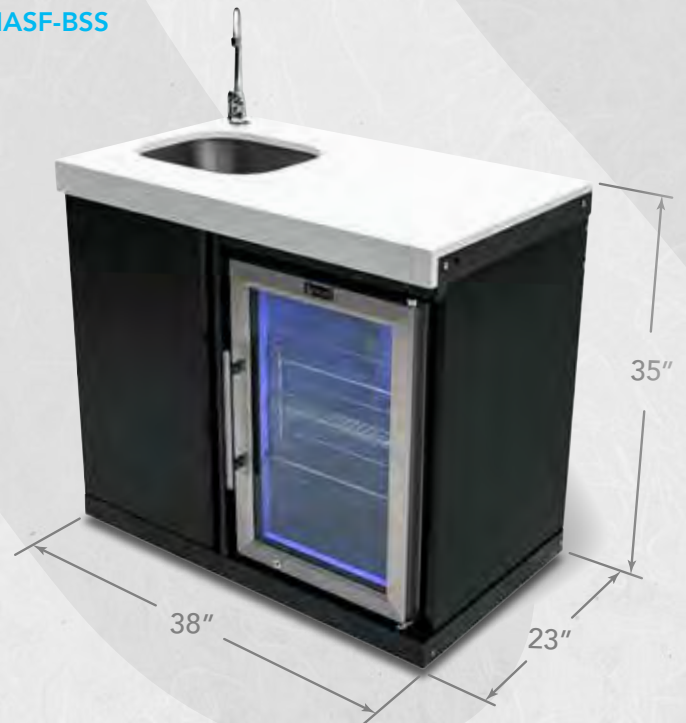
Mont Alpi™ BEVERAGE CENTERS

Mont Alpi Beverage Centers make a beautiful addition to any Mont Alpi grill island or as a stand alone beverage center on your patio. Each unit is available in regular stainless steel or black stainless steel.

MASF



MASF-BSS

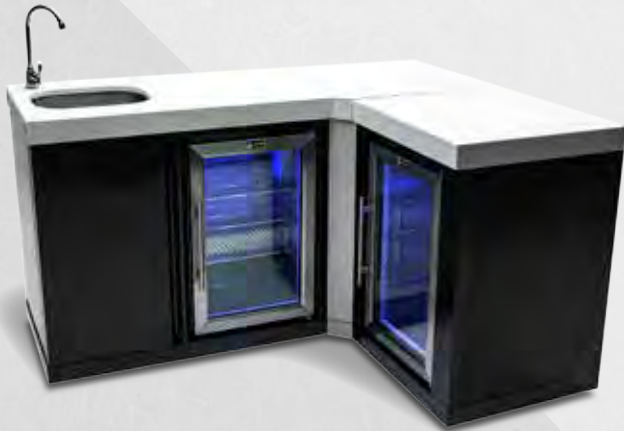
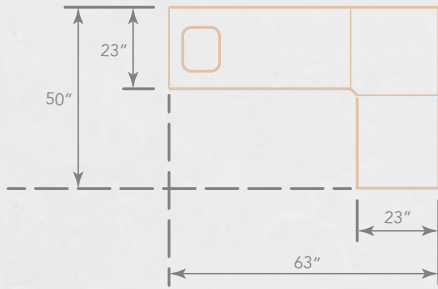


Entertain like never before and let the good times roll

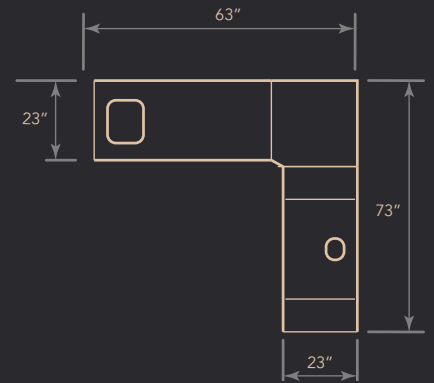
All our Mont Alpi Beverage Centers come with an outdoor rated refrigerator with lights, lockable door, and a stainless steel sink with faucet. Each unit is made with all 304 stainless steel and is finished with white granite counter top.

REFRIGERATION

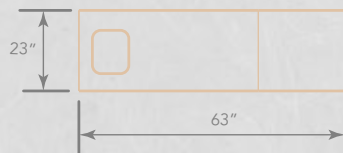
MA-BEVBS90FC



MA-BEVKEG



MA-BEVBS9FC



MA-BEV90KEG

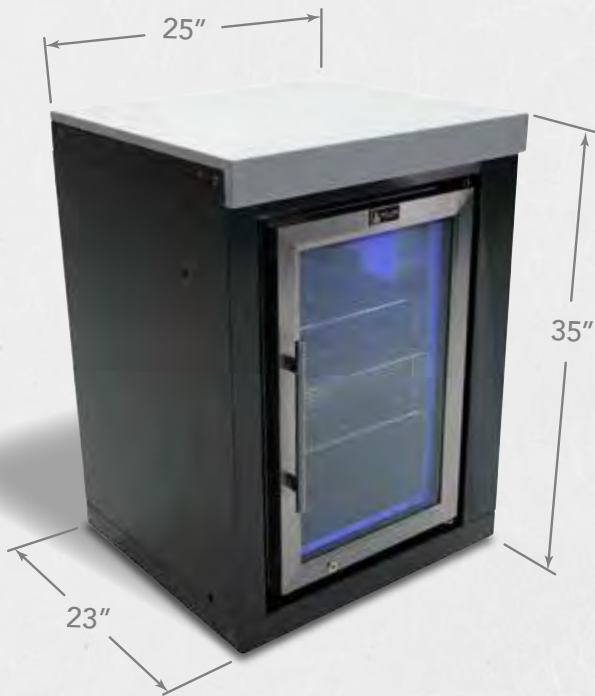


Mont Alpi™

REFRIGERATION MODULES

All **Mont Alpi refrigerators** are outdoor rated, lockable, temperature adjustable and have a stylish blue LED light. The 3 options allow you to add this module to any stainless steel deluxe island, black stainless steel island or a stand alone unit.

MASFMBSS



MAF



MASFM



Let the pizza party begin!

Mont Alpi™ PIZZA OVEN

- Stainless Steel
- "U" Shaped Burner for all around high heat
- 12,000 BTU
- Oven like performance in 5 minutes (620 F)
- 12" Pizza Stone
- Removable Floor Pan
- Pull out fat tray
- Dishwasher friendly cleaning
- Net weight 27 lbs
- Easy Start up Ignition
- Great for roasting (whole chickens and larger meats)
- Removable Front Door
- Accurate Temperature Gauge
- Propane (convertible to natural gas)

MAPZ

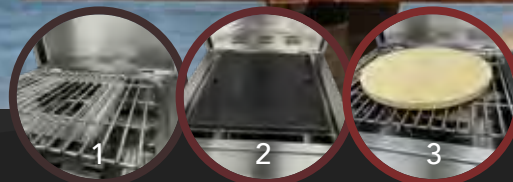


MA-3N1

Mont Alpi™ 3-IN-1 GRILL

The ultimate grill for versatile cooking

- 1 Perfect for Searing Steaks
 - 2 Great for Griddle Plate Cooking
 - 3 Pizza Stone for Crisp Pizza
- 12,000 BTU
 - "U" Shaped 304 Stainless Steel Burner for even heat distribution
 - Pull Grease Tray
 - Temperature Gauge
 - Easy Start up Ignition
 - 304 Stainless Steel Cooking Grid



Mont Alpi™ GRILL COVERS

Protect your investment and keep your grill looking like new.

All **Mont Alpi covers** are designed with maximum durability in mind in order to protect the stainless steel finish in across all weather conditions and keep your grill looking it's best. Zipper closures allow any grill and module combination to be covered perfectly. Each module cover will zip to another in any combination. These are some of our most popular options.



COVBi805, COVBi400



COVMAi805, COVMAi400



COVMASF



COVMAi805-BEV, COVMAi805-DBEV, COVMAi805-BSSBEV

Mont Alpi™ ACCESSORY LINES



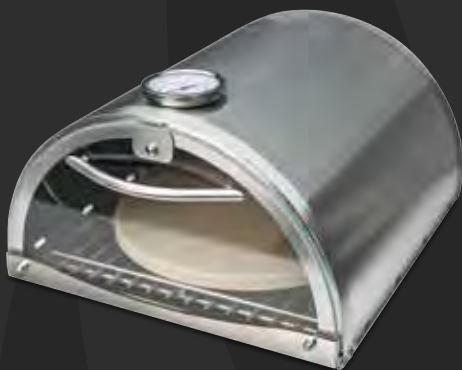
Pizza oven carry bag

POCB



Dual sided griddle plate

MAGR



Universal side burner pizza oven

MASBP



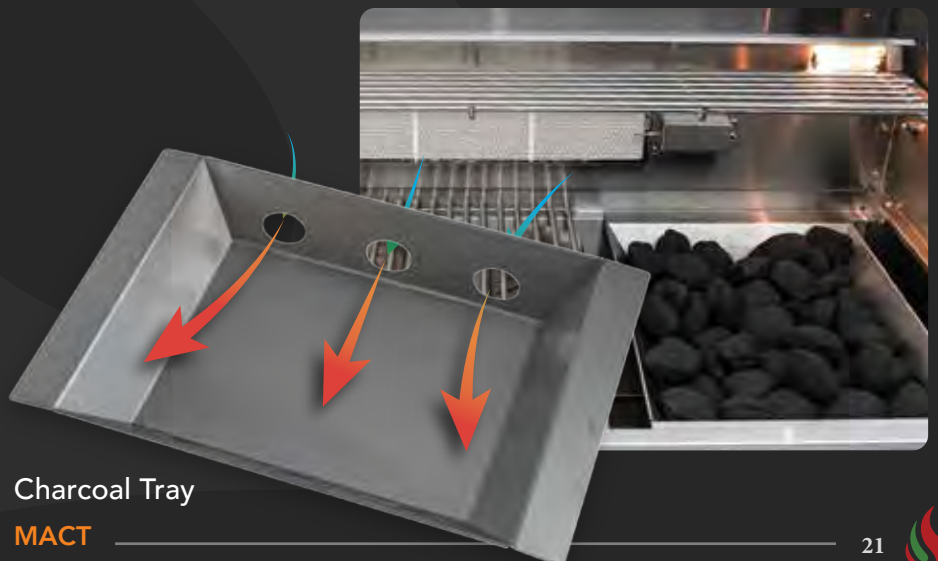
Rotisserie Kit

MAROTIS



Natural Gas Conversion Kit

MANGK



Charcoal Tray

MACT



Mont Alpi™ CUSTOMERS

Trust Mont Alpi for a top-notch grilling experience

PRODUCT SUPPORT

At Mont Alpi, we pride ourselves on providing exceptional customer service and support. Our grills are not just a purchase, they're an investment in your outdoor cooking experience. That's why we offer comprehensive product support and warranties to ensure your satisfaction with your Mont Alpi grill.

Our dedicated product support team is available to assist with any questions or concerns you may have about your grill, from assembly to operation and maintenance. We also provide detailed owner's manuals and instructional videos for added guidance.

LIMITED LIFETIME WARRANTY

If you ever encounter an issue with your Mont Alpi grill, our team will work with you to resolve it and ensure your complete satisfaction.

Our standard warranty covers all defects in materials and workmanship, including coverage for all parts.

Mont Alpi is committed to providing our customers with the best possible service and support, so you can enjoy your grill for years to come.



Outdoor Kitchen Pro Official Mont Alpi Retailer

Phone: (800) 583-4356

Email: info@outdoorkitchenpro.com

www.OutdoorKitchenPro.com