



BROMIC[®]
HEATING

ECLIPSE SMART-HEAT™ ELECTRIC

Reimagine the outdoors with our Eclipse Smart-Heat™ series. Available in seven unique designs, the Bromic Eclipse series adds style, warmth and light to design-focused outdoor spaces.



ECLIPSE ELECTRIC PORTABLE



600MM TWIN CEILING MOUNT POLE



600MM STRAIGHT CEILING MOUNT POLE



WALL MOUNT

ECLIPSE
SMART-HEAT™ ELECTRIC
PORTABLE



Add warmth and comfort to outdoor spaces while striking the perfect balance between ambience, style, and functionality with our Eclipse Smart-Heat™ Electric Portable Heater.

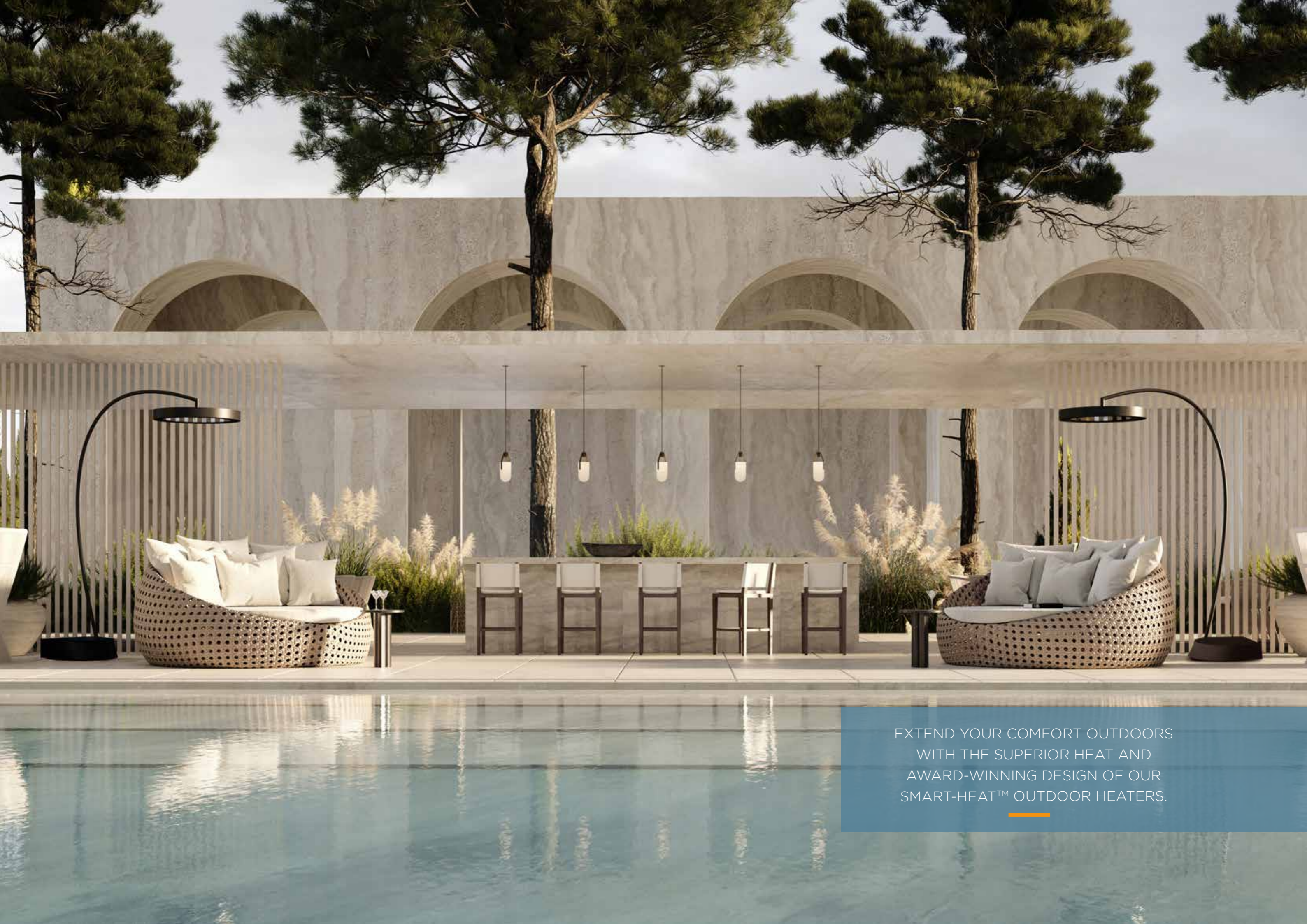




ECLIPSE SMART-HEAT™ ELECTRIC

Dim the lights and turn up the heat with our Eclipse Smart-Heat™ Electric heater. Available in six unique mounting options, the new Bromic Eclipse Smart-Heat™ Electric series brings comfort, light and style to commercial and residential outdoor spaces.





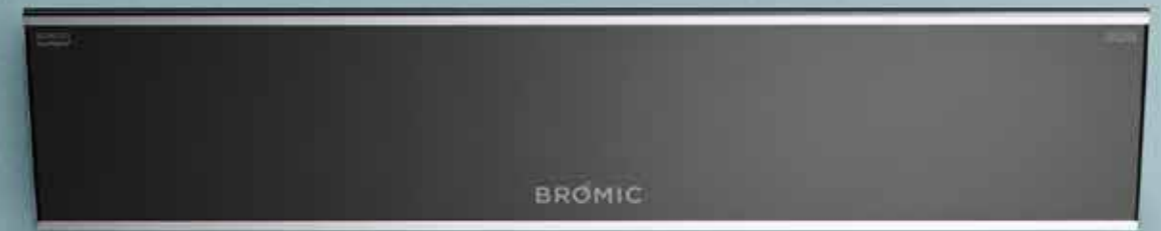
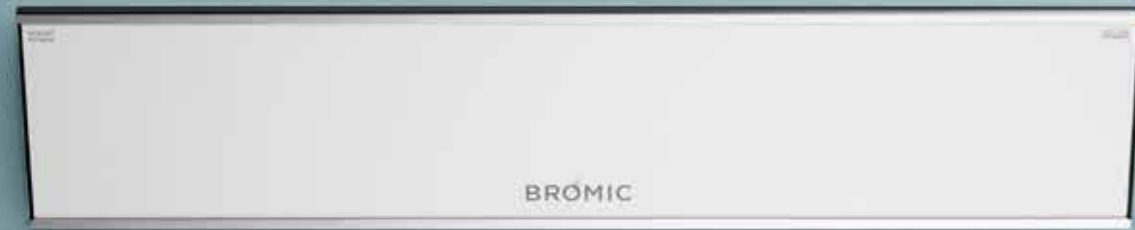
EXTEND YOUR COMFORT OUTDOORS
WITH THE SUPERIOR HEAT AND
AWARD-WINNING DESIGN OF OUR
SMART-HEAT™ OUTDOOR HEATERS.

SEAMLESS INTEGRATION OF
MODERN CLEAN LINES, MINIMALISTIC
DESIGN AND QUALITY MATERIALS
ACHIEVES INNOVATIVE STYLING AND
TECHNICAL PERFORMANCE.

BRÖMIC

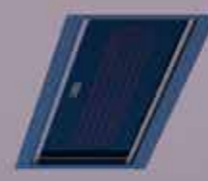
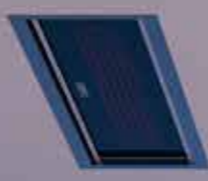
PLATINUM SMART-HEAT™ ELECTRIC
WITH OPTIONAL RECESS KIT

PLATINUM
SMART-HEAT™ ELECTRIC



Available in black and white, our Platinum Smart-Heat™ Electric heater is specifically suited for low-clearance and design-focused spaces. This slim-line, stainless-steel unit spreads comfort evenly, all while minimising light emission and blending seamlessly into the background with our recess mounting solutions. The Platinum Electric range is also available in a marine-grade 316 stainless steel for extra longevity in coastal and marine environments.





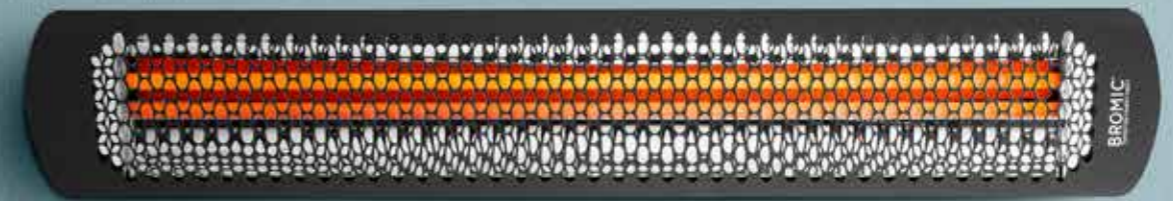
PLATINUM
SMART-HEAT™ GAS



The Platinum Smart-Heat™ Gas heater series spreads heat and comfort evenly in all areas, with a soft and soothing red glow. Built with pure premium materials and designed with elegance, there is no compromise on performance, reliability and beauty.



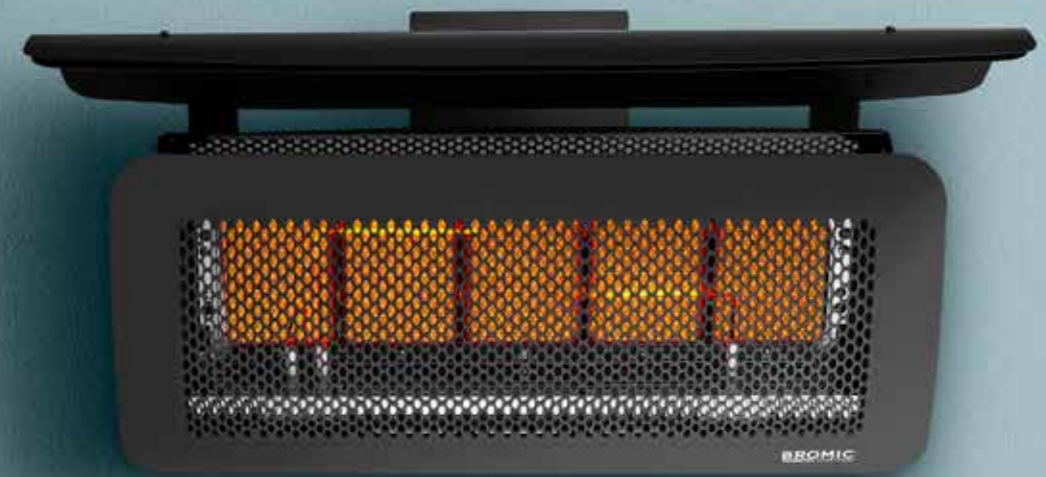
TUNGSTEN SMART-HEAT™ ELECTRIC



Our Tungsten Smart-Heat™ Electric series offers high performance radiant heating for outdoor and semi-enclosed spaces alike, with an industrial design style. It also boasts a high-temperature coating to suit all environments. With a stainless-steel construction, its durable element will emit a soft red glow to create a warm ambience in your space.



TUNGSTEN SMART-HEAT™ GAS



Our Tungsten Smart-Heat™ Gas heater has a durable, soft flowing curved facia and engineered body, which produces formidable heat to create a truly comfortable outdoor space. Its easy pivot arm allows for greater positioning and directional heat control. This heater also has a range of accessories available to provide versatility in mounting & controller options.





EXTEND YOUR COMFORT OUTDOORS
WITH THE SUPERIOR HEAT AND
AWARD-WINNING DESIGN OF OUR
SMART-HEAT™ OUTDOOR HEATERS.



TUNGSTEN SMART-HEAT™ PORTABLE

Its neutral black finish and award-winning design make it a piece of modern art. The Tungsten Smart-Heat™ Portable heater offers efficient directional heat and is a versatile heating solution for any outdoor setting. Its modular construction with built-in wheels allows for easy manoeuvrability throughout tighter spaces.





**SWITCH ON.
GO WIRELESS.**

SMART-HEAT™ WIRELESS CONTROLLERS

With the option to connect groups of heaters from a single point as well as dimming heating outputs, the Smart-Heat™ range of controllers provide a simple, yet powerful solution to controlling your environment.

Learn more about our wireless control options
bromic.com



ON | OFF 4-CHANNEL REMOTE*
(GAS & ELECTRIC)

The Bromic Smart-Heat Wireless On | Off Controller can switch power supply to two separate outputs, enabling independent 'On | Off' control without even having to move from your seat.



DIMMER CONTROLLER*
(ELECTRIC ONLY)

The Bromic Smart-Heat™ Wireless Dimmer Controller allows you to adjust the heat from 1-100% for perfect comfort and complete flexibility.



**BROMIC
SMART-HEAT™ LINK**

The Bromic Smart-Heat™ Link is compatible with some of the leading Home Automation systems, allowing you to easily control your Bromic outdoor heaters from your home automation control panel.**

** Requires RS232 plugin

*Please contact a Bromic heating specialist to discuss the ideal solution for your outdoor space. Our free design service includes wiring diagrams for set up options.

ECLIPSE SMART-HEAT™ ELECTRIC PORTABLE

MODEL

| | |
|-------------------------------|------------------------------------|
| PRODUCT CODE | 2620611-1 |
| FUEL TYPE | ELECTRIC (3000W) |
| COLOUR | MATTE BLACK |
| MATERIAL (HEATER HEAD) | PREMIUM COATED 304 STAINLESS STEEL |
| MATERIAL (FREESTANDING FRAME) | PREMIUM, DOUBLE COATED STEEL |
| HEAT AREA | 11M ² |
| LED COLOUR | WARM WHITE - DIMMABLE |
| LED TEMPERATURE | 3000K |
| LED LUMENS | 216.6 |
| RATED CURRENT & VOLTAGE | 220-240 V - A.C. - 50-60 HZ |
| MINIMUM FLOOR CLEARANCE | 2000MM |

MOUNTING OPTIONS

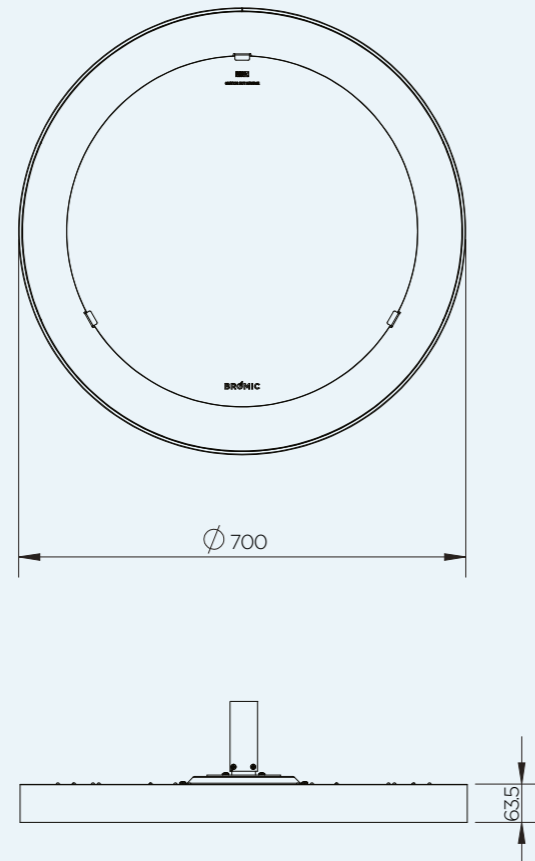
| | |
|--------------|---|
| FREESTANDING | ✓ |
|--------------|---|

CONTROL OPTIONS

| | |
|------------------------|----------------------|
| DIMMER CONTROL | INCLUDED |
| MASTER REMOTE ECLIPSE* | 2620662-1 (OPTIONAL) |

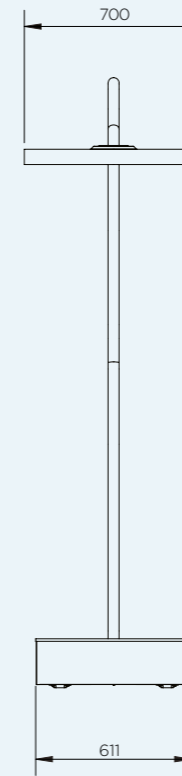
*Control up to six zones of heaters with unlimited heaters per zone from a single remote. Dimmer control required.
 Measurements displayed within this catalogue are minimum requirements for installation.
 Bromic takes no responsibility for incorrect or non-compliant installations.
 All measurements in this catalogue are displayed in mm.

PRODUCT MEASUREMENTS

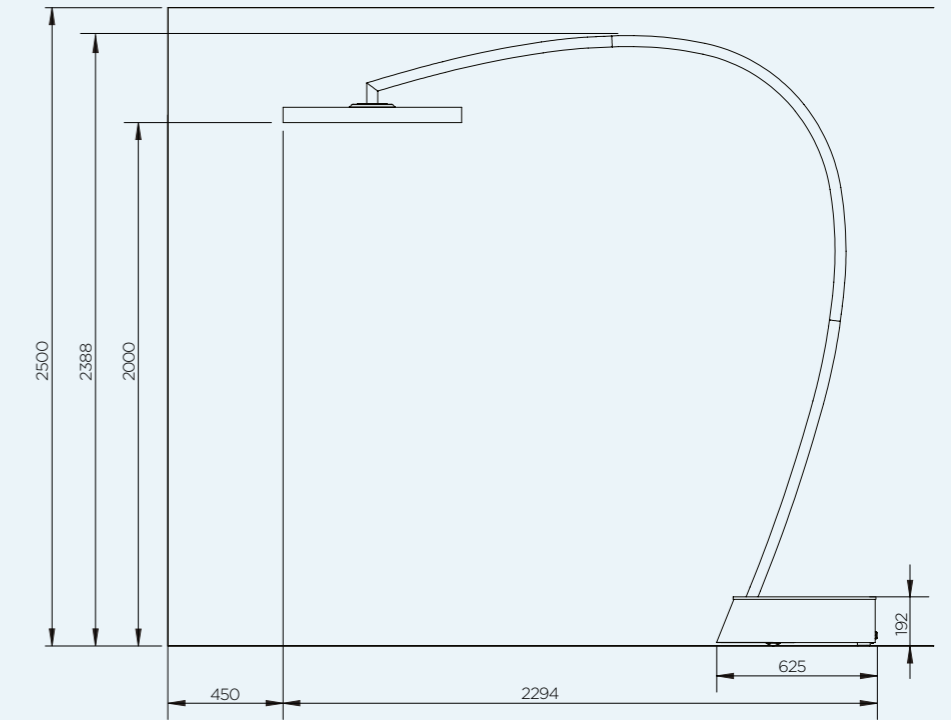


FREESTANDING

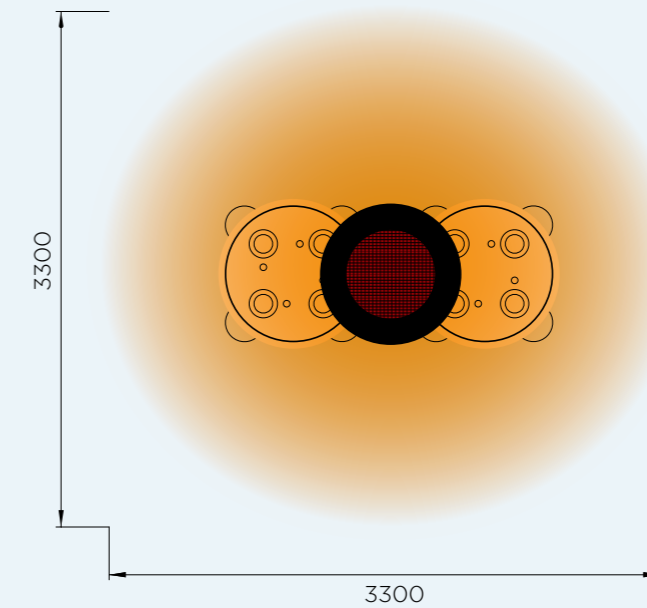
FRONT VIEW



CEILING & WALL CLEARANCE



HEAT AREA



3000W SERIES
 HEATING APPROXIMATELY 11M²
 3000W HEATING POWER

*HEAT AREA DEPENDENT ON AMBIENT TEMPERATURE AND WIND. OPTIMUM CONDITIONS EXPERIENCED AT APPROX 15.5°C AND IN A LOW WIND COVERED ENVIRONMENT.

ECLIPSE SMART-HEAT™ ELECTRIC PENDANT

MODEL

| | |
|--------------------------|------------------------------------|
| PRODUCT CODE | 2620621-1 |
| FUEL TYPE | ELECTRIC (3000W) |
| COLOUR | MATTE BLACK |
| MATERIAL (HEATER HEAD) | PREMIUM COATED 304 STAINLESS STEEL |
| MATERIAL (MOUNTING ARMS) | PREMIUM, DOUBLE COATED STEEL |
| HEAT AREA | 11M ² |
| LED COLOUR | WARM WHITE - DIMMABLE |
| LED TEMPERATURE | 3000K |
| LED LUMENS | 216.6 |
| RATED CURRENT & VOLTAGE | 220-240 V - A.C. - 50-60 HZ |
| MINIMUM FLOOR CLEARANCE | CEILING 2438MM WALL 2438MM |

MOUNTING OPTIONS

| | |
|--|--------------------|
| WALL MOUNT | 2620636 (OPTIONAL) |
| 200MM STRAIGHT CEILING MOUNT POLE | 2620631 (OPTIONAL) |
| 600MM STRAIGHT CEILING MOUNT POLE | 2620632 (OPTIONAL) |
| 600MM TWIN STRAIGHT CEILING MOUNT POLE | INCLUDED |
| 600MM CURVED CEILING MOUNT POLE | 2620634 (OPTIONAL) |
| 1200MM STRAIGHT CEILING MOUNT POLE | 2620635 (OPTIONAL) |

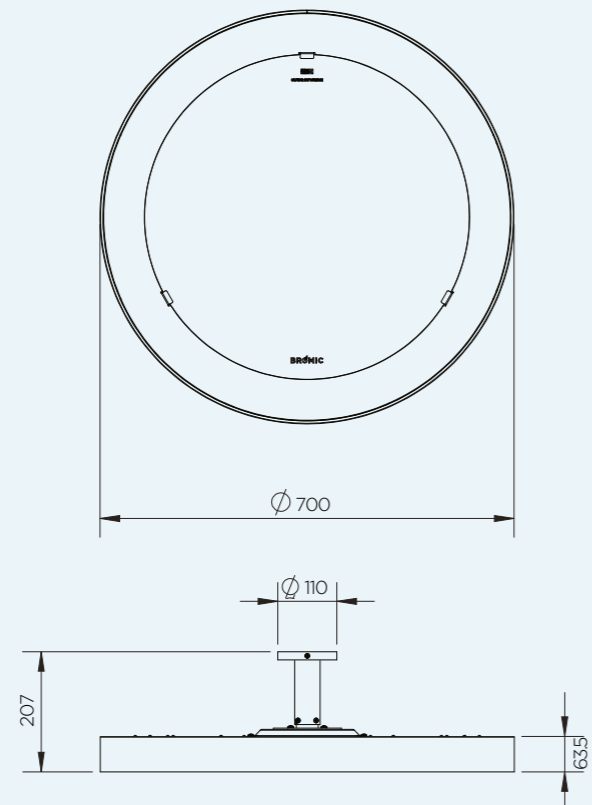
CONTROL OPTIONS

| | |
|------------------------|----------------------|
| DIMMER CONTROL | INCLUDED |
| MASTER REMOTE ECLIPSE* | 2620662-1 (OPTIONAL) |

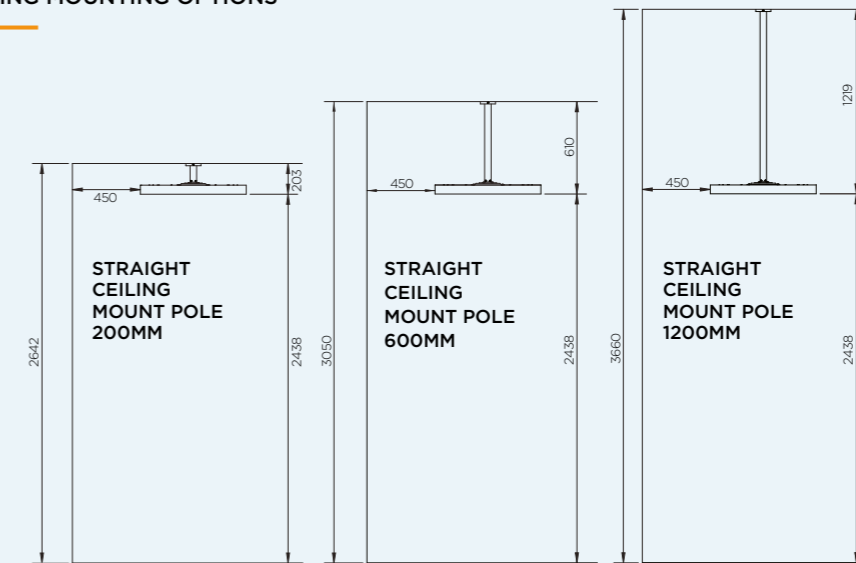
*Control up to six zones of heaters with unlimited heaters per zone from a single remote. Dimmer control required.

Measurements displayed within this catalogue are minimum requirements for installation. Bromic takes no responsibility for incorrect or non-compliant installations. All measurements in this catalogue are displayed in mm.

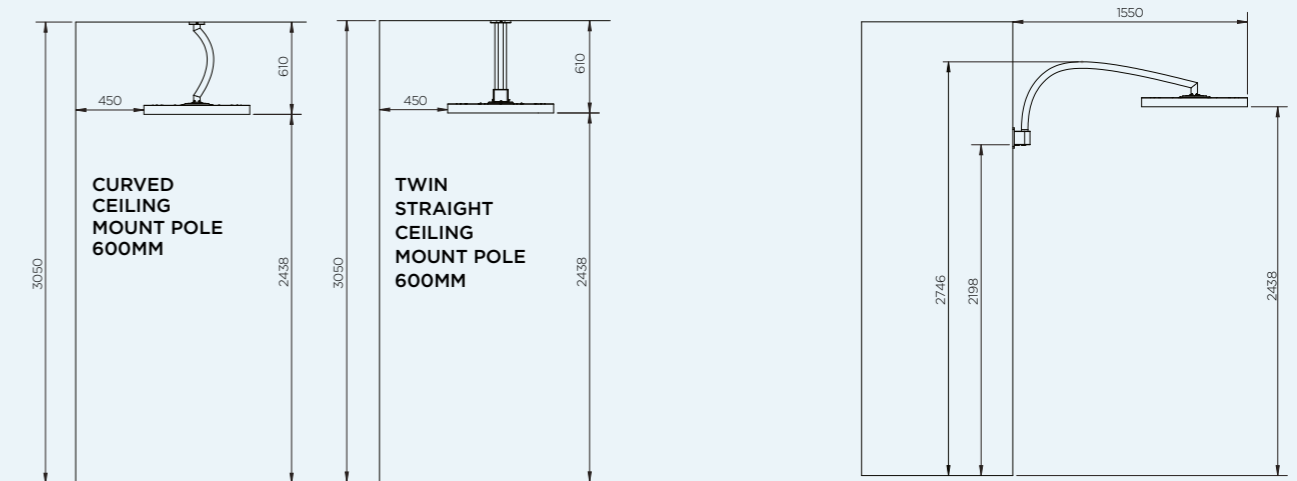
PRODUCT MEASUREMENTS



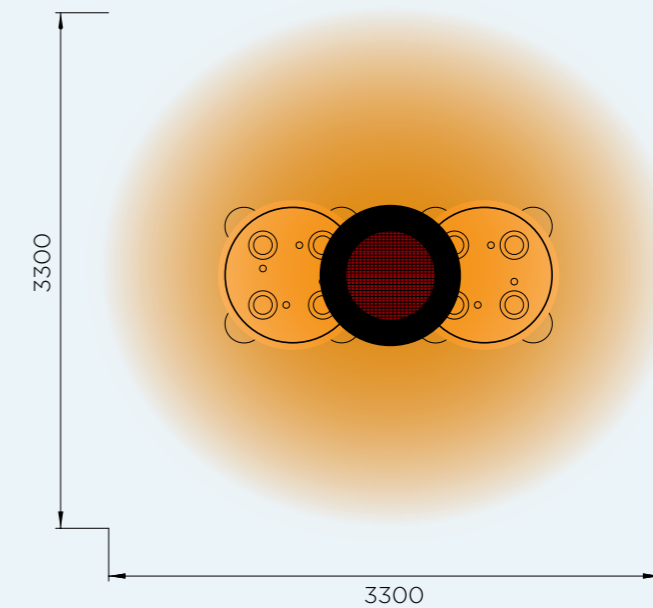
CEILING MOUNTING OPTIONS



WALL MOUNTING



HEAT AREA



3000W SERIES
HEATING APPROXIMATELY 11M²
3000W HEATING POWER

*HEAT AREA DEPENDENT ON AMBIENT TEMPERATURE AND WIND. OPTIMUM CONDITIONS EXPERIENCED AT APPROX 15.5°C AND IN A LOW WIND COVERED ENVIRONMENT.

PLATINUM SMART-HEAT™ GAS

| MODEL NUMBER | 300 SERIES | | 500 SERIES | |
|-------------------------|------------------|-----------|------------------|-----------|
| PRODUCT CODE | 2620130-1 | 2620131-1 | 2620140-1 | 2620141-1 |
| FUEL TYPE | LPG | NG | LPG | NG |
| COLOUR | BLACK | STAINLESS | BLACK | STAINLESS |
| HEAT AREA | 12M ² | | 20M ² | |
| RATED CURRENT | 110V/2A | | 110V/2A | |
| OUTPUT | 25MJ | | 42MJ | |
| MINIMUM FLOOR CLEARANCE | 2000MM | | 2000MM | |

MOUNTING OPTIONS

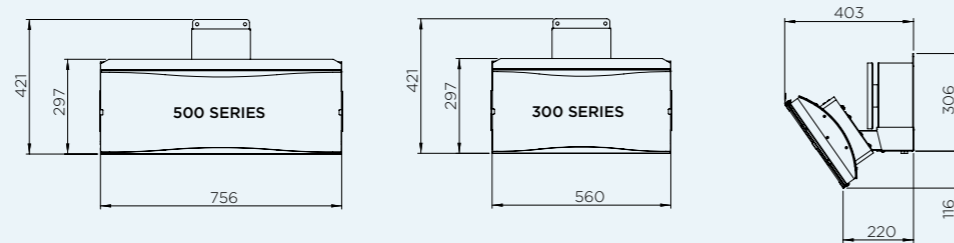
| | | |
|------------------------|---|---|
| CEILING MOUNT | ✓ | ✓ |
| WALL MOUNT | ✓ | ✓ |
| RECESSED FLUSH MOUNT | - | - |
| CEILING POLE MOUNT | ✓ | ✓ |
| FREESTANDING | - | - |

CONTROL OPTIONS

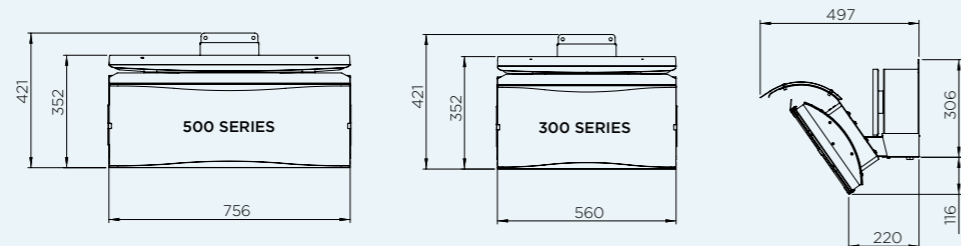
| | | |
|-----------------------|---------|---------|
| ON OFF | ✓ | ✓ |
| ON OFF PRODUCT CODE | 2620275 | 2620275 |
| DIMMER | - | - |
| MASTER REMOTE | - | - |

Measurements displayed within this catalogue are minimum requirements for installation. Bromic takes no responsibility for incorrect or non-compliant installations. All measurements in this catalogue are displayed in mm.

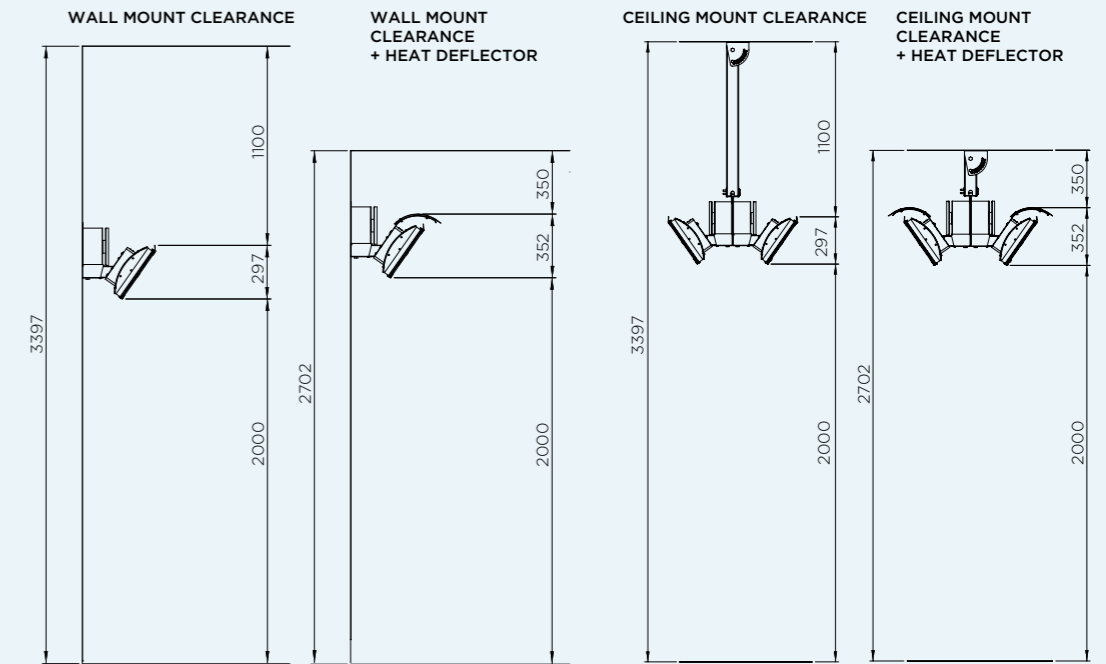
PRODUCT MEASUREMENTS



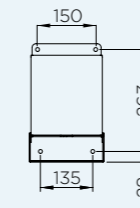
PRODUCT MEASUREMENTS WITH HEAT DEFLECTOR



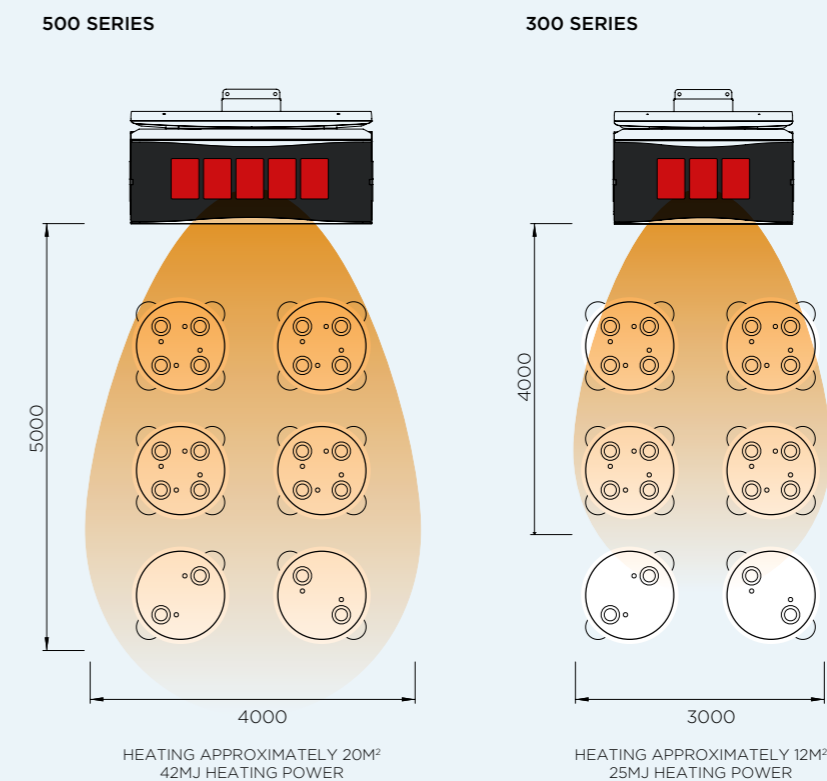
CEILING & WALL MOUNT CLEARANCE



WALL BRACKET



HEAT AREA



*HEAT AREA DEPENDENT ON AMBIENT TEMPERATURE AND WIND. OPTIMUM CONDITIONS EXPERIENCED AT APPROX 15.5°C AND IN A LOW WIND COVERED ENVIRONMENT.

PLATINUM SMART-HEAT™ ELECTRIC

| MODEL NUMBER | 2300W SERIES | 3400W SERIES | 4500W SERIES |
|---|------------------------------|------------------------------|------------------------------|
| PRODUCT CODES PLATINUM ELECTRIC | 2620240 2620247 | 2620245 2620248 | 2622000 2622001 |
| PRODUCT CODES PLATINUM ELECTRIC MARINE | 2620251 2620253 | 2620252 2620254 | 2622002 2622003 |
| FUEL TYPE | ELECTRIC | ELECTRIC | ELECTRIC |
| COLOUR | BLACK WHITE | BLACK WHITE | BLACK WHITE |
| HEAT AREA | 6M ² | 10M ² | 12M ² |
| RATED CURRENT | 220 - 240V/9.6A | 220 - 240V/14.2A | 220 - 240V/18.8A |
| MINIMUM FLOOR CLEARANCE | WALL 1800MM CEILING 2400MM | WALL 1800MM CEILING 2400MM | WALL 1800MM CEILING 2400MM |

MOUNTING OPTIONS

| CEILING MOUNT | INCLUDED | INCLUDED | INCLUDED |
|--|----------|----------|----------|
| WALL MOUNT | INCLUDED | INCLUDED | INCLUDED |
| RECESS KIT FLUSH MOUNT | ✓ | ✓ | ✓ |
| CEILING RECESS KIT PRODUCT CODES | 2620241 | 2620246 | 2623000 |
| NEW RECESS KIT LOW CLEARANCE | ✓ | ✓ | ✓ |
| LOW CLEARANCE RECESS KIT PRODUCT CODES | 2623009 | 2623008 | 3623012 |
| CEILING POLE EXTENSION | ✓ | ✓ | ✓ |
| CEILING POLE (600MM) PRODUCT CODE | 2620243 | 2620243 | 2623020 |
| CEILING POLE (1200MM) PRODUCT CODE | 2620244 | 2620244 | 2623021 |
| FREESTANDING | - | - | - |

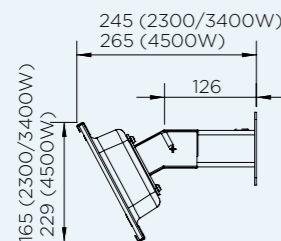
CONTROL OPTIONS

| | | | |
|----------------------------|-----------|-----------|-----------|
| ON OFF | ✓ | ✓ | ✓ |
| ON OFF PRODUCT CODE | 2620275-2 | 2620275-2 | 2620275-2 |
| DIMMER | ✓ | ✓ | ✓ |
| DIMMER PRODUCT CODE | 2620276-2 | 2620276-2 | 2620276-2 |
| MASTER REMOTE * | ✓ | ✓ | ✓ |
| MASTER REMOTE PRODUCT CODE | 2620277-2 | 2620277-2 | 2620277-2 |

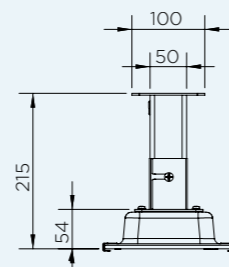
* Controls up to six zones of heaters with unlimited heaters per zone from a single remote control. Dimmer controller required. Control operates within 30m of heaters.

Measurements displayed within this document are minimum requirements for installation. Bromic takes no responsibility for incorrect or non-compliant installations. All measurement in this document are displayed in mm.

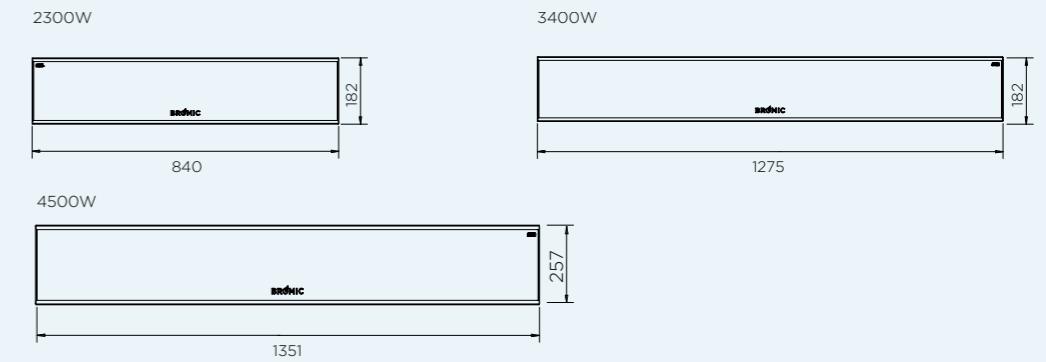
WALL BRACKET (INCLUDED)



CEILING BRACKET (INCLUDED)

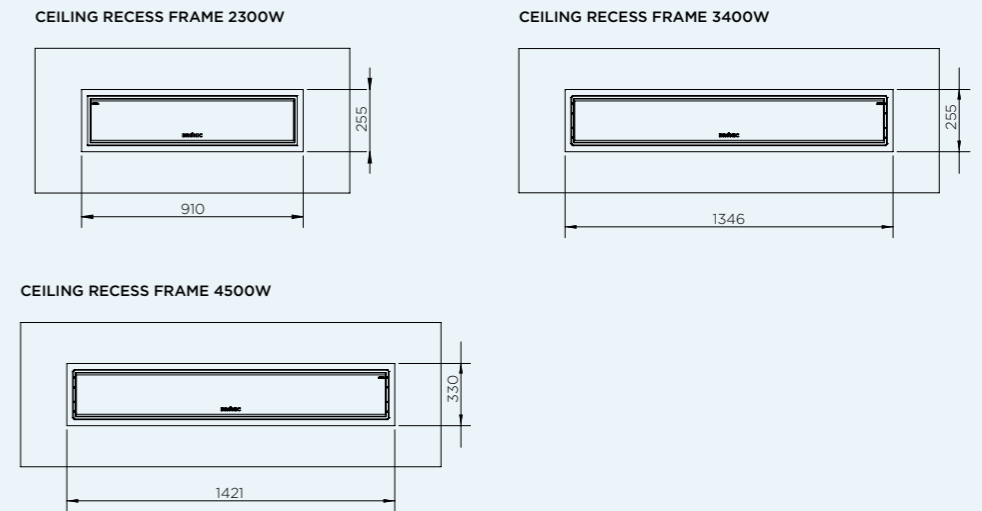


PRODUCT MEASUREMENTS



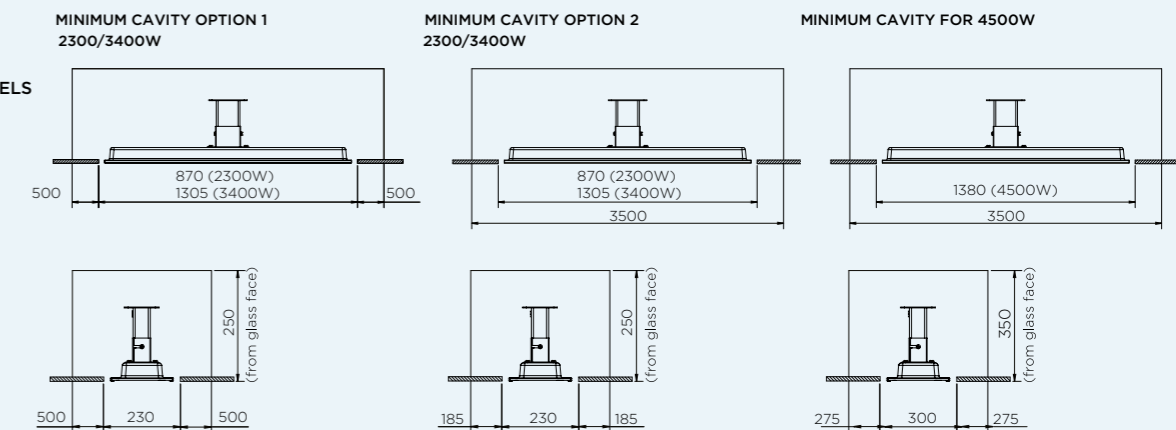
CEILING RECESS KIT

(OPTIONAL)

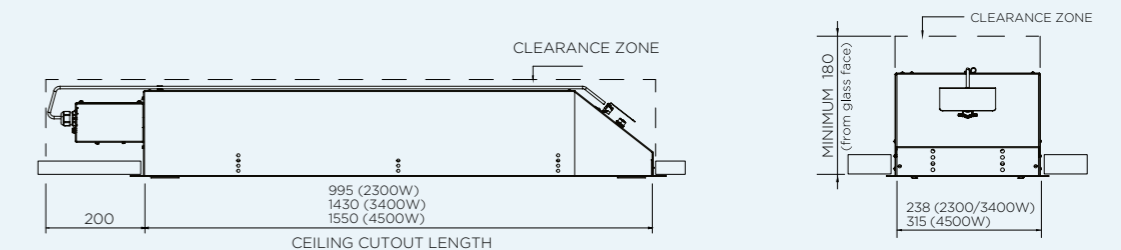


CEILING CAVITY GUIDE

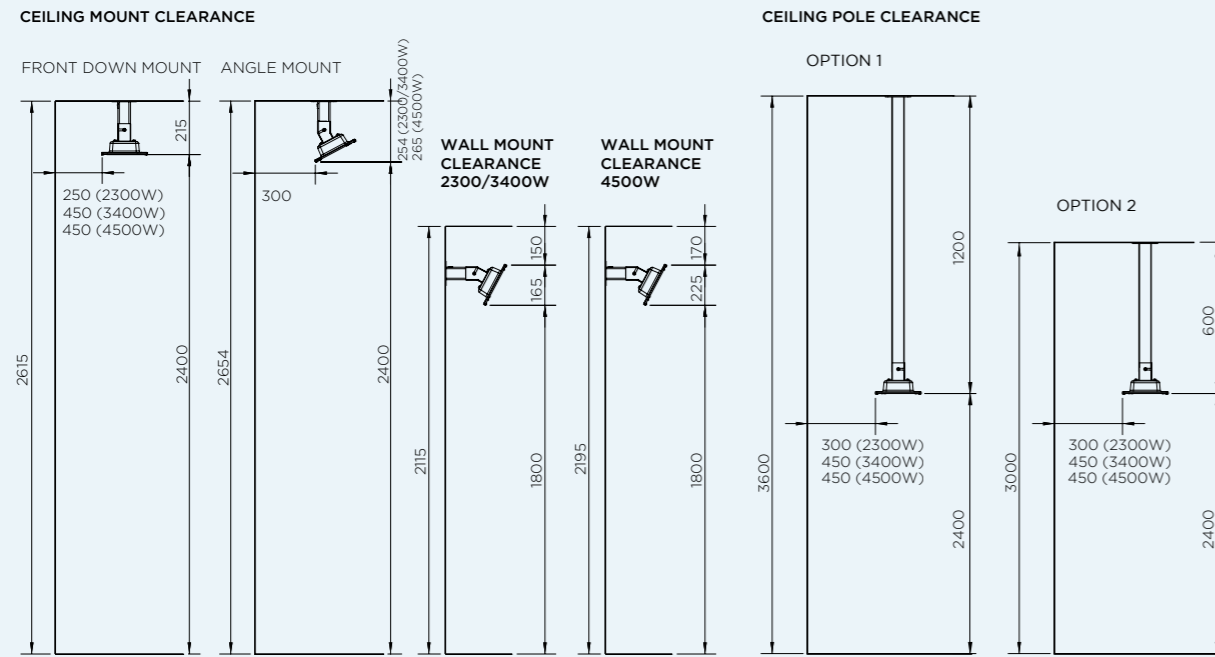
MINIMUM CAVITY SIZE FOR 2300W, 3400W & 4500W MODELS



CEILING CUTOUT & CLEARANCE ZONES FOR 2300/3400/4500W



CEILING & WALL MOUNT CLEARANCE



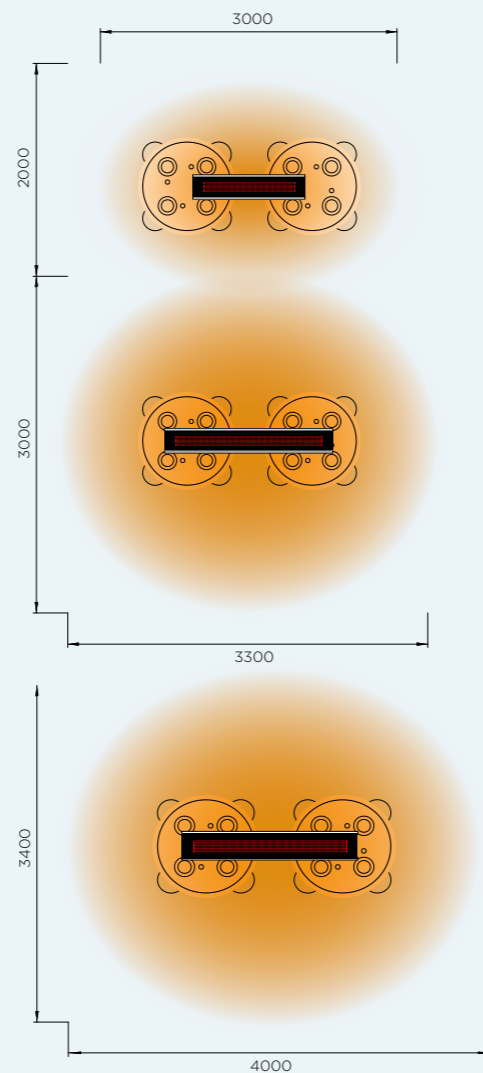
HEAT AREA

*HEAT AREA DEPENDENT ON AMBIENT TEMPERATURE AND WIND. OPTIMUM CONDITIONS EXPERIENCED AT APPROX 15.5°C AND IN A LOW WIND COVERED ENVIRONMENT.

2300W SERIES
 HEATING APPROXIMATELY 6M²
 2300W HEATING POWER

3400W SERIES
 HEATING APPROXIMATELY 10M²
 3400W HEATING POWER

4500W PLATINUM
 HEATING APPROXIMATELY 12M²
 4500W HEATING POWER



EXTEND YOUR COMFORT OUTDOORS WITH THE SUPERIOR HEAT AND AWARD-WINNING DESIGN OF OUR SMART-HEAT™ OUTDOOR HEATERS.



2300W, 3400W & 4500W LC RECESS KIT SERIES
 BLACK | WHITE



TUNGSTEN SMART-HEAT™ GAS

| MODEL NUMBER | 300 SERIES | 500 SERIES |
|-------------------------|-----------------------|-----------------------|
| PRODUCT CODE | 2620330-1 2620331-1 | 2620340-1 2620341-1 |
| FUEL TYPE | LPG NG | LPG NG |
| COLOUR | BLACK | BLACK |
| HEAT AREA | 12M ² | 20M ² |
| ELECTRICAL CONNECTION | 220 - 240 Va.c. | 220 - 240 Va.c. |
| OUTPUT | 25MJ | 42MJ |
| MINIMUM FLOOR CLEARANCE | 2000MM | 2000MM |

MOUNTING OPTIONS

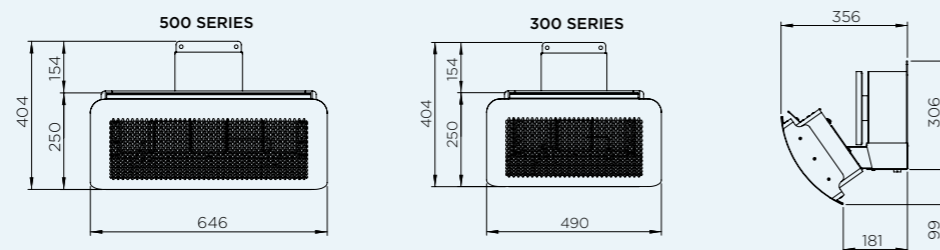
| | | |
|------------------------|---|---|
| CEILING MOUNT | ✓ | ✓ |
| WALL MOUNT | ✓ | ✓ |
| RECESSED FLUSH MOUNT | - | - |
| CEILING POLE MOUNT | ✓ | ✓ |
| FREESTANDING | - | - |

CONTROL OPTIONS

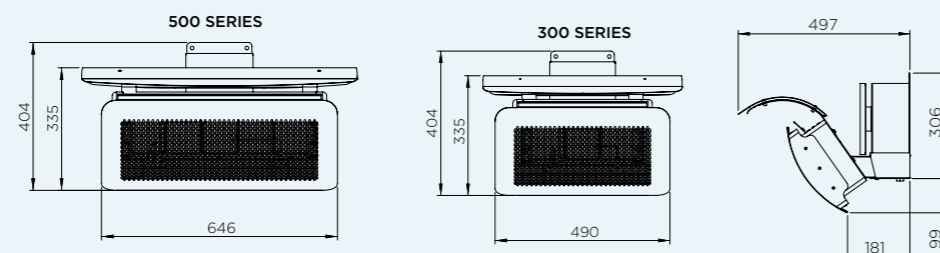
| | | |
|-----------------------|---------|---------|
| ON OFF | ✓ | ✓ |
| ON OFF PRODUCT CODE | 2620275 | 2620275 |
| DIMMER | - | - |
| MASTER REMOTE | - | - |

Measurements displayed within this catalogue are minimum requirements for installation. Bromic takes no responsibility for incorrect or non-compliant installations. All measurement in this catalogue are displayed in mm.

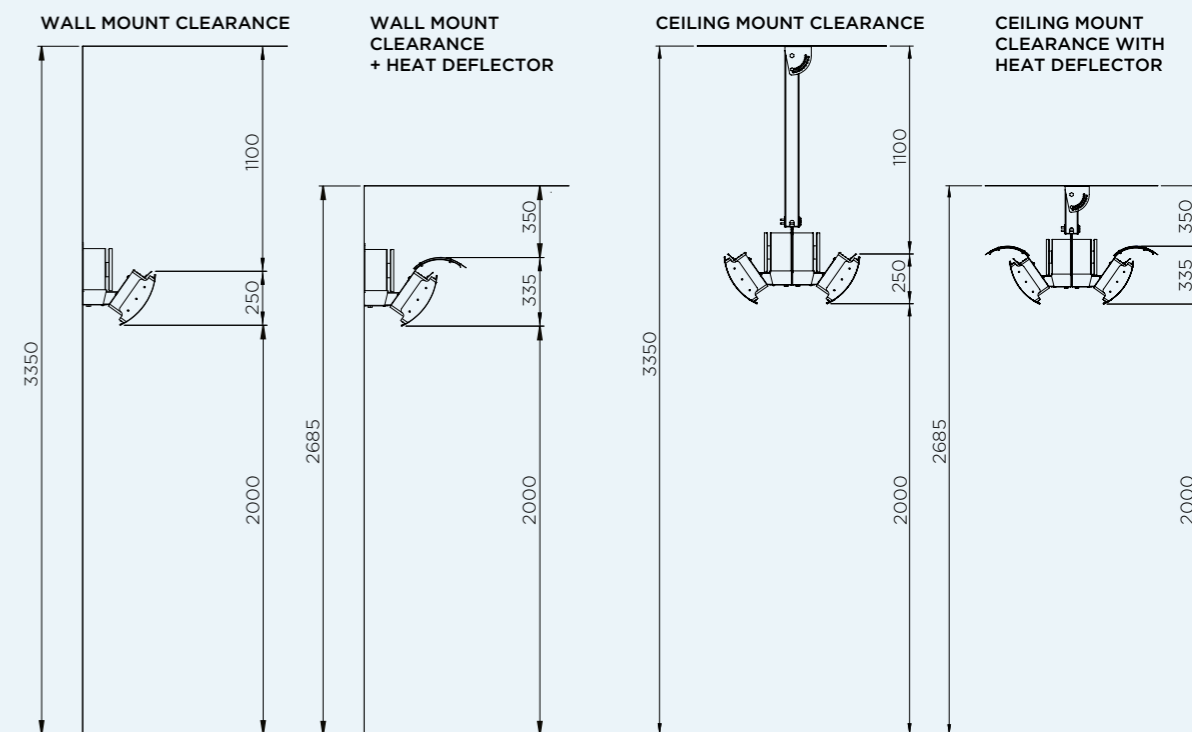
PRODUCT MEASUREMENTS



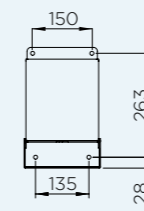
PRODUCT MEASUREMENTS WITH HEAT DEFLECTOR



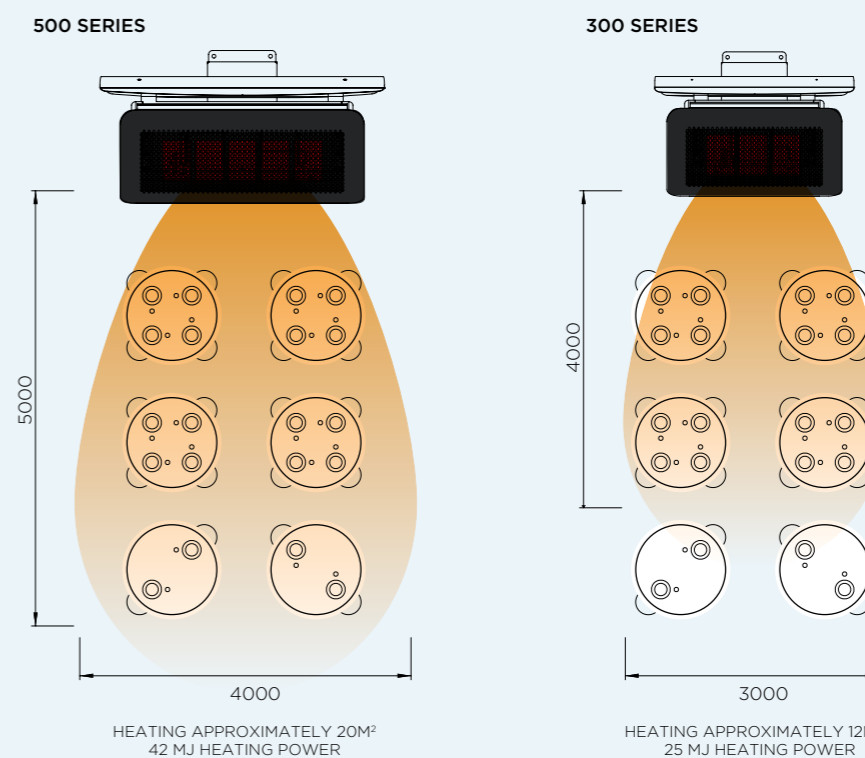
CEILING & WALL MOUNT CLEARANCE



WALL BRACKET



HEAT AREA



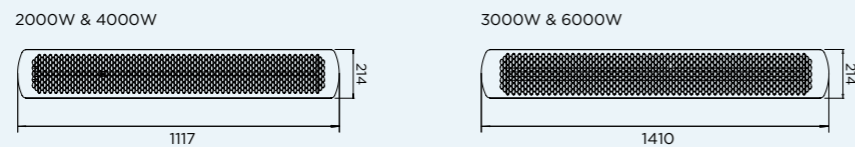
*HEAT AREA DEPENDENT ON AMBIENT TEMPERATURE AND WIND. OPTIMUM CONDITIONS EXPERIENCED AT APPROX 15.5°C AND IN A LOW WIND COVERED ENVIRONMENT.

TUNGSTEN SMART-HEAT™ ELECTRIC

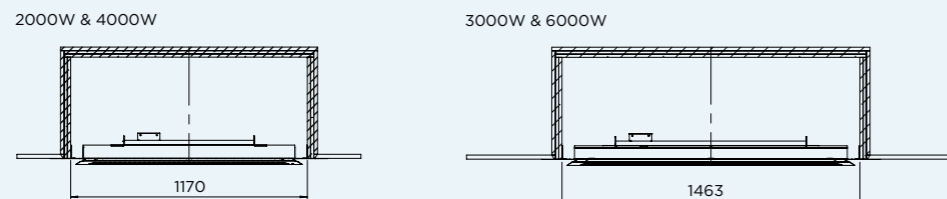
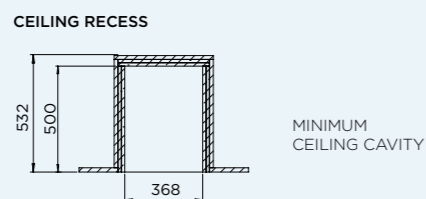
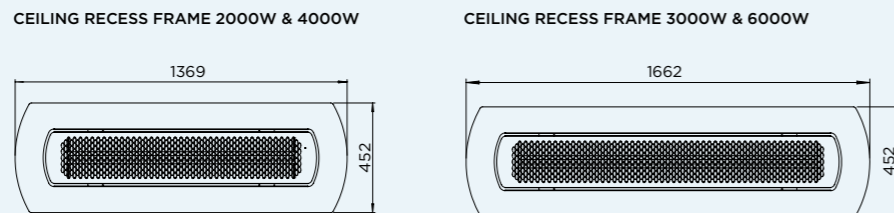
| MODEL NUMBER | 2000 SERIES | 3000 SERIES | 4000 SERIES | 6000 SERIES |
|----------------------------------|------------------------------|------------------|------------------------------|------------------|
| PRODUCT CODE | 2620262 | 2620263 | 2620264 | 2620265 |
| FUEL TYPE | ELECTRIC | ELECTRIC | ELECTRIC | ELECTRIC |
| COLOUR | BLACK WHITE | BLACK WHITE | BLACK WHITE | BLACK WHITE |
| HEAT AREA | 6M ² | 9M ² | 11M ² | 13M ² |
| RATED CURRENT ** | 220 - 240V/8.3A | 220 - 240V/12.5A | 220 - 240V/16.6A | 220 - 240V/25A |
| MINIMUM FLOOR CLEARANCE | WALL 1800MM CEILING 2400MM | | WALL 1800MM CEILING 2400MM | |
| MOUNTING OPTIONS | | | | |
| CEILING MOUNT | ✓ | ✓ | ✓ | ✓ |
| CEILING RECESS KIT PRODUCT CODES | ✓ | ✓ | ✓ | ✓ |
| WALL MOUNT | ✓ | ✓ | ✓ | ✓ |
| RECESSED FLUSH MOUNT | ✓ | ✓ | ✓ | ✓ |
| CEILING POLE MOUNT | ✓ | ✓ | ✓ | ✓ |
| TUBE SUSPENSION KIT PRODUCT CODE | | 2620228 | | |
| FREESTANDING | - | - | - | - |
| CONTROL OPTIONS | | | | |
| ON OFF | ✓ | ✓ | ✓ | ✓ |
| ON OFF PRODUCT CODE | | 2620275 | | |
| DIMMER | ✓ | ✓ | ✓ | ✓ |
| DIMMER PRODUCT CODE | | 2620276 | | |
| MASTER REMOTE * | ✓ | ✓ | ✓ | ✓ |
| MASTER REMOTE PRODUCT CODE | | 2620277 | | |

Measurements displayed within this catalogue are minimum requirements for installation. Bromic takes no responsibility for incorrect or non-compliant installations. All measurements in this catalogue are displayed in mm.
 * Control up to six zones of heaters with unlimited heaters per zone from a single remote control. Dimmer control required. Control operates within 30m of heaters.
 ** Black models only.

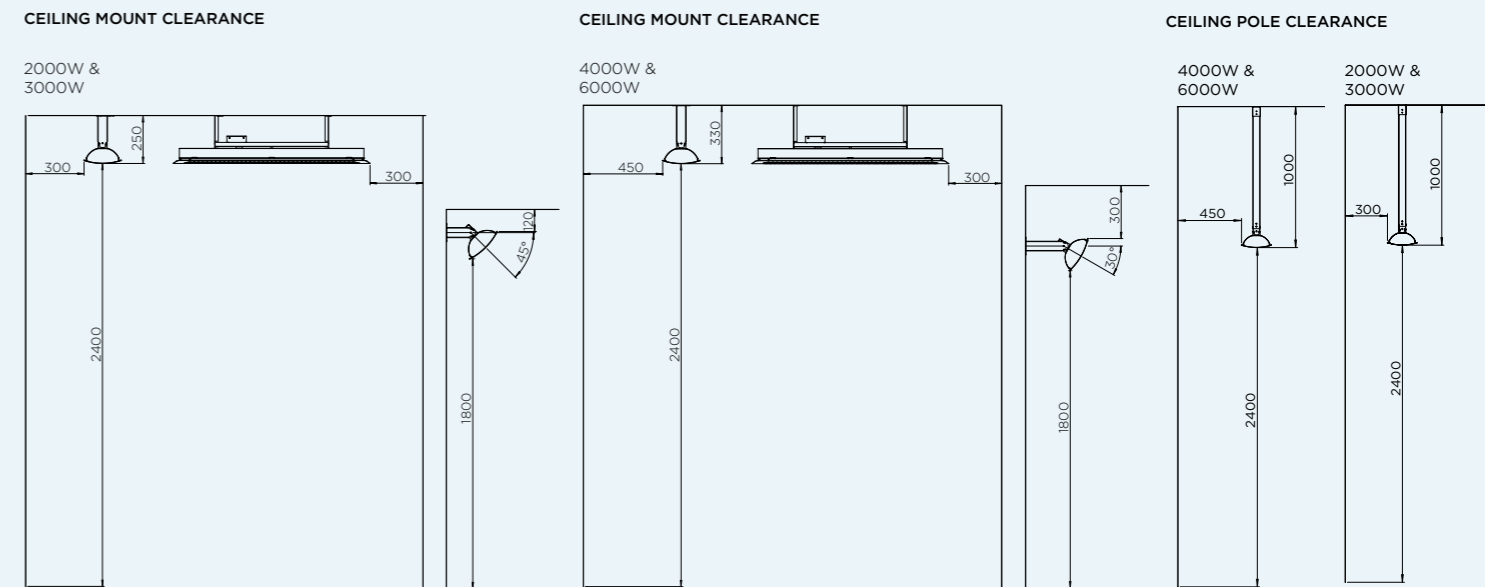
PRODUCT MEASUREMENTS



CEILING RECESS



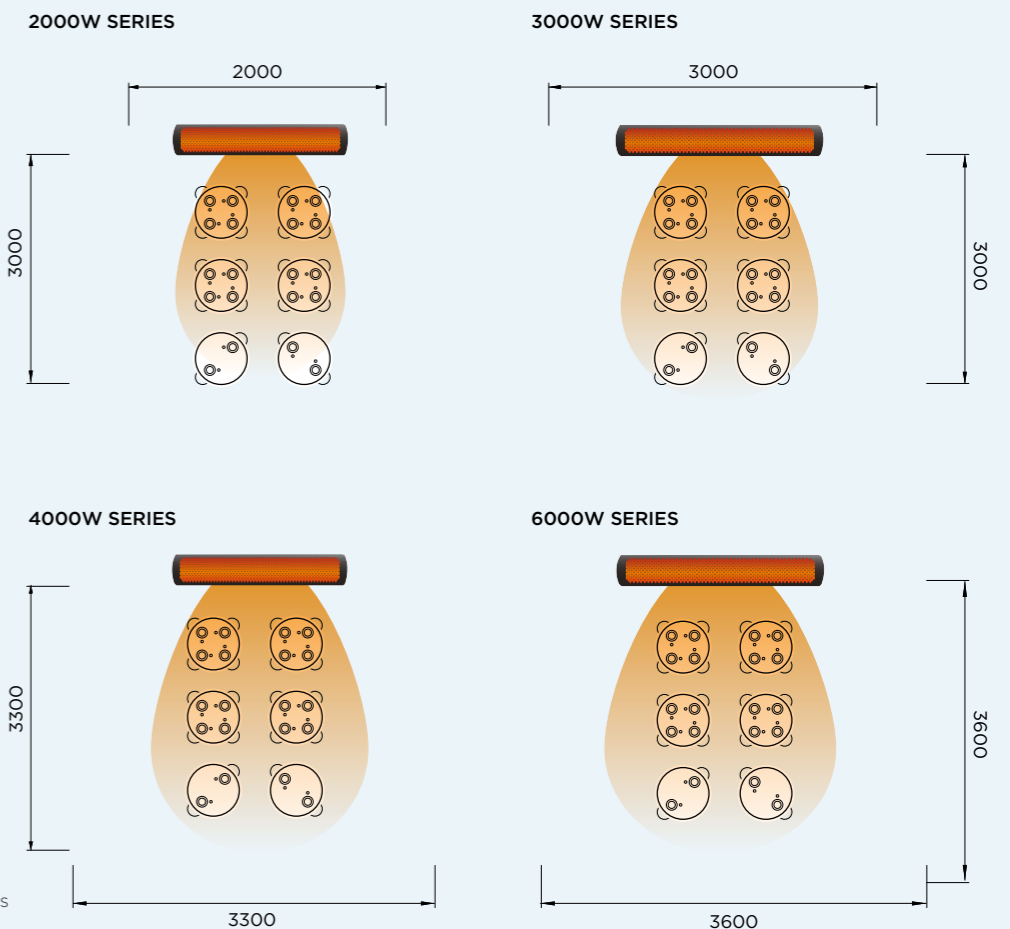
CEILING & WALL MOUNT CLEARANCE



WALL BRACKET (INCLUDED)



HEAT AREA



*HEAT AREA DEPENDENT ON AMBIENT TEMPERATURE AND WIND. OPTIMUM CONDITIONS EXPERIENCED AT APPROX 15.5°C AND IN A LOW WIND COVERED ENVIRONMENT.

TUNGSTEN SMART-HEAT™ PORTABLE

MODEL NUMBER

| | |
|---------------------------|------------------|
| PRODUCT CODE | 2620350 |
| FUEL TYPE | LPG |
| COLOR | BLACK |
| HEAT AREA | 20M ² |
| OUTPUT | 40MJ |
| MINIMUM CEILING CLEARANCE | 1000MM |

MOUNTING OPTIONS

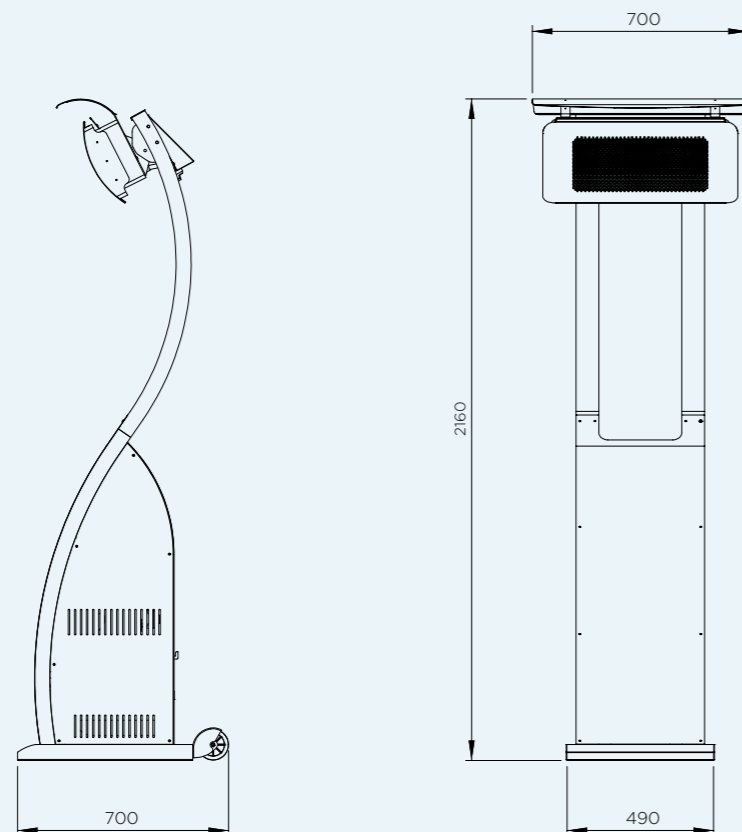
| | |
|------------------------|---|
| CEILING MOUNT | - |
| WALL MOUNT | - |
| RECESSED FLUSH MOUNT | - |
| CEILING POLE MOUNT | - |
| FREESTANDING | ✓ |

CONTROL OPTIONS

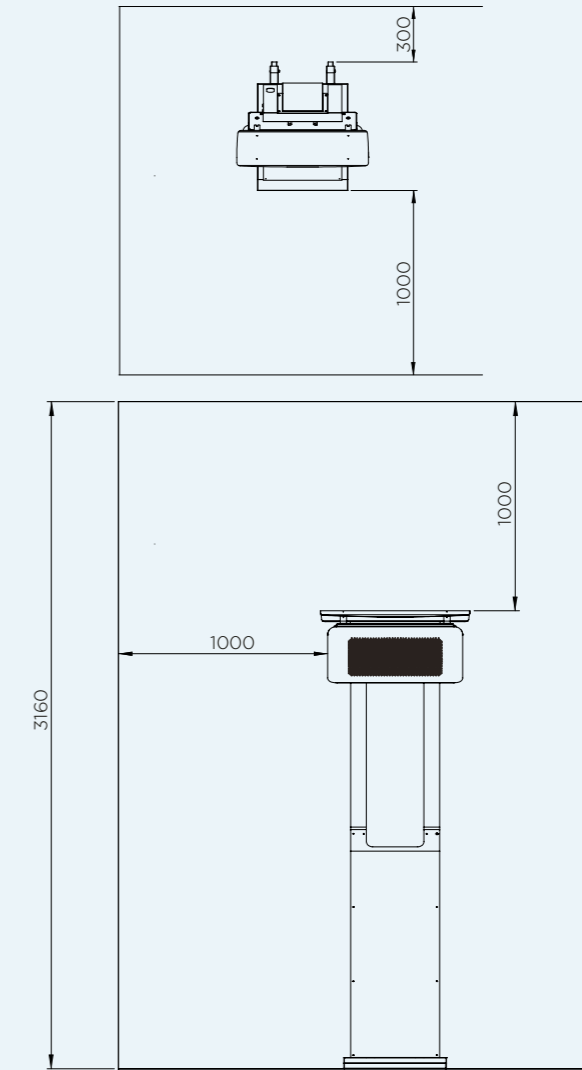
| | |
|---------------|---|
| ON OFF | - |
| DIMMER | - |
| MASTER REMOTE | - |

Measurements displayed within this catalogue are minimum requirements for installation. Bromic takes no responsibility for incorrect or non-compliant installations. All measurements in this catalogue are displayed in mm.

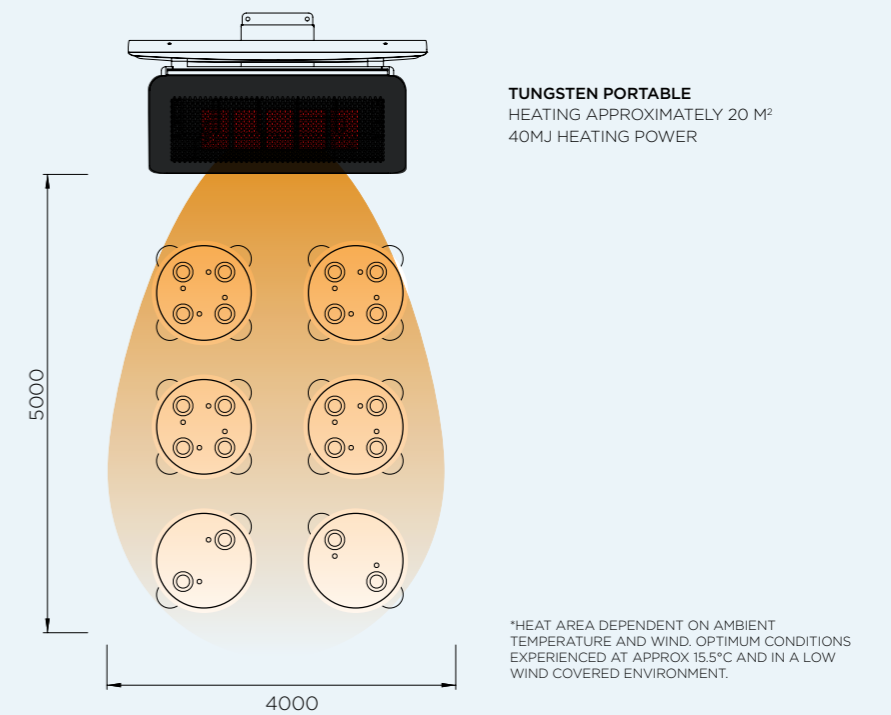
PRODUCT MEASUREMENTS



CEILING & WALL CLEARANCE



HEAT AREA





DESIGN SERVICE

As part of our complimentary service, Bromic Heating Specialists will custom design and tailor a solution to best heat your outdoor living and entertainment spaces.

Learn more about our design service
[bromic.com](https://www.bromic.com)





ABOUT BROMIC GROUP

Bromic's reputation for industry and innovation reaches back to 1978. Initially a supplier of gas components, Bromic has since grown to become an international leader that designs, manufactures and distributes a diverse range of quality, engineered products on a global scale.



[BROMIC.COM](https://www.bromic.com)

NORTH AMERICA | ASIA PACIFIC | EUROPE

UK: 08/2023