

Improving safety *while* increasing production.



B&D Manufacturing

SUPER JACK

**PART OF THE WORLD'S BEST TOOLING
PACKAGE FOR HAUL TRUCKS**



Improving safety *while* increasing production.

Increase availability to your trucks by minimizing maintenance downtime using existing shop floor space or pad with the B&D Super Jack.

When maintenance is required on your fleet, this sturdy and dependable B&D Super Jack can lift and secure the largest haul trucks in the world. For excellent stability when pulling tires and wheel groups from trucks, we offer three models:

BD-SJ150 - GVW: 10.5 ton (9.5 MT) machine with a base footprint of 25.5 sq ft (2.3 sq m)

BD-SJ240 - GVW: 12.5 ton (11.3 MT) machine with a base footprint of 33.6 sq ft (3.1 sq m)

BD-SJ240-C795 - GVW: 11.5 ton (10.4 MT) machine with a base footprint of 30.8 sq ft (2.8 sq m)

This is the only existing certified two point lift Jacking System for 240 to 400 ton (272 to 363 MT) trucks.

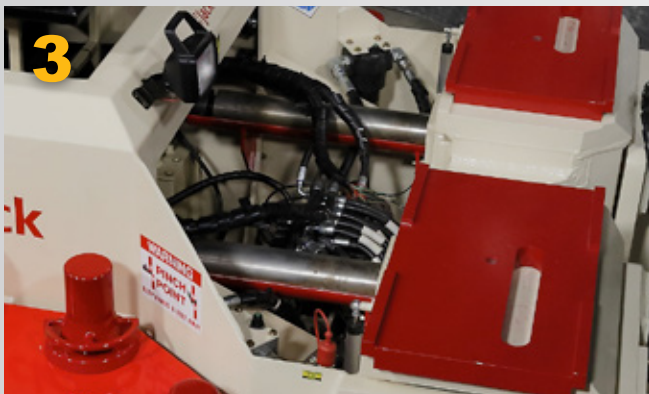
The B&D Super Jack enables maintenance personnel to perform the required maintenance on your vehicles in a secure and safe environment. Easy to operate and requiring only one individual, the B&D Super Jack can perform its task in four simple steps:



1 Drive the Super Jack into position.



2 Hydraulically lift the truck.



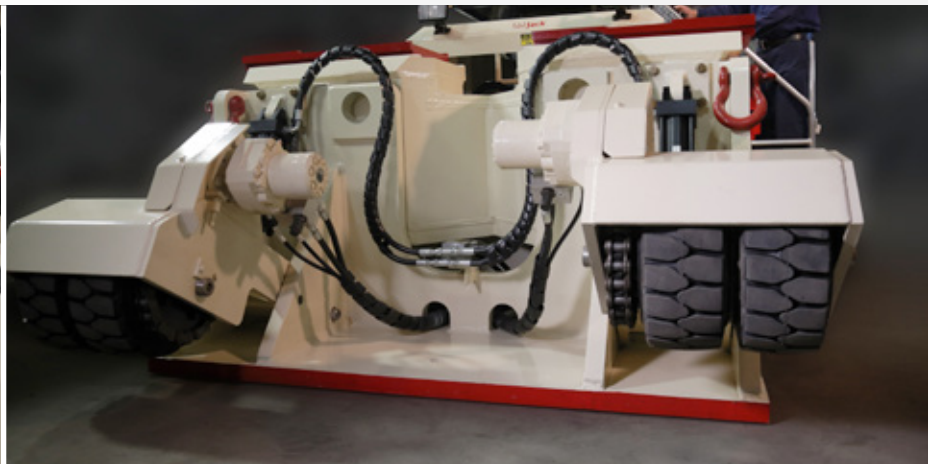
3 Hydraulically insert locking pins.



4 Perform tag and lock-out procedure.

B&D SUPER JACK

BD-SJ150, BD-SJ240, BD-SJ240-C795



The B&D Super Jack can double as a safety stand while work is being done on the truck and, if you need to use it to lift other vehicles, simply replace it with a pair of custom engineered B&D Safety Stands.

The B&D Super Jack is a fully computer controlled, hydraulically driven vehicle. It can sense the characteristics of the lift with a feedback screen that enables the operator to visually monitor the vehicle tonnage, tilt and limits.

Custom lifting attachments for your fleet

Custom lifting attachments can be designed for lifting your individual trucks.



Features

- Parker hydraulic system
- IQAN control package
- Proportional hydraulic valves
- 12 Vdc control wiring
- Pressure and level sensing
- Vehicle tilt warning
- Hydraulic steering
- Working lights for operator
- Custom lifting attachments for various trucks
- BD-SJ150 Designed to lift and support 150 tons (136 MT)
- BD-SJ240 and BD-SJ240-C795 are designed to lift and support 240 tons (217 MT)

Servicing

Your B&D Super Jack is a cost effective safe solution that is powerful, reliable, secure and backed by an exclusive manufacturer warranty. A global network of expert support personnel are available for training, commissioning and technical support. All of B&D Manufacturing's equipment comes with operation and maintenance manual.



Improving safety *while* increasing production.

B&D Super Jack 150 Specifications

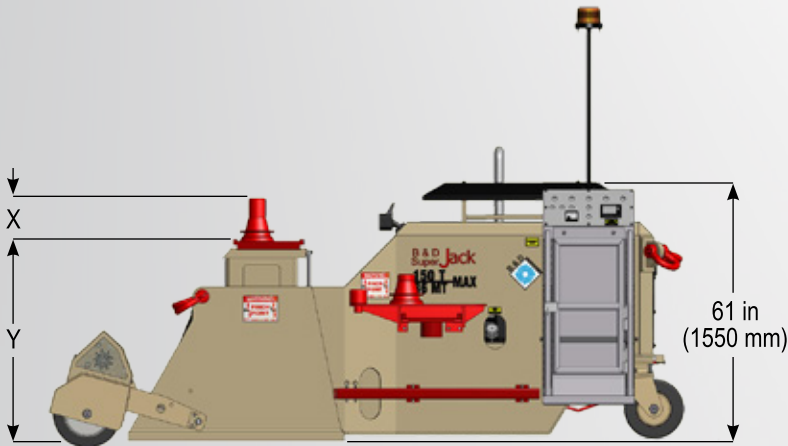
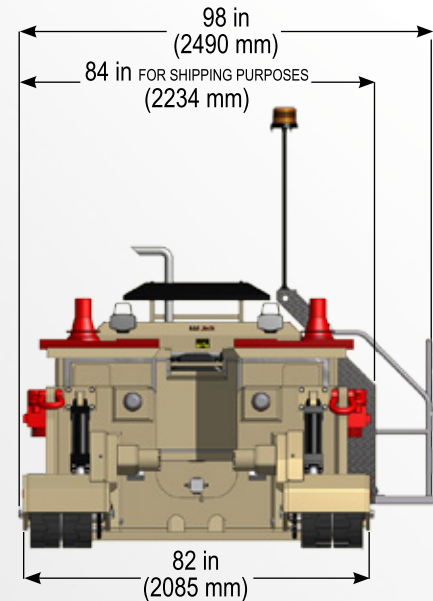
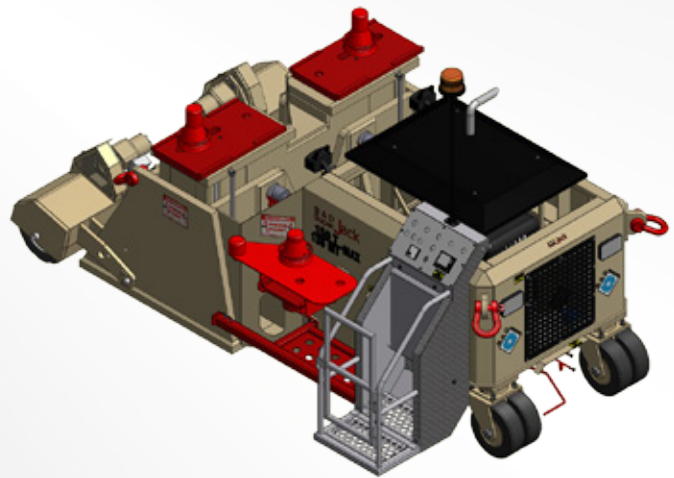
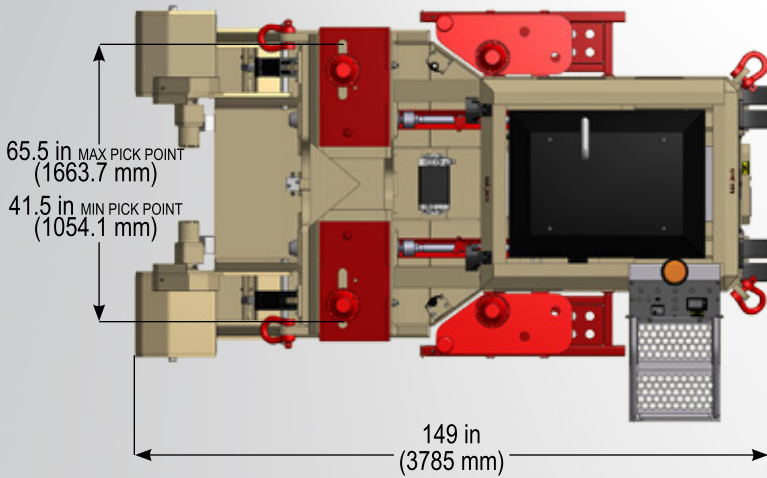
BD-SJ150

Load Rating: 150 Tons (136 MT)

Speed: Proportional

Horsepower: 18 hp

Gross Vehicle Weight: 21,000 lb (9,525 kg) with accessories



DIMENSION

Length: 149 in (3785 mm)

Width: 72 in (1828 mm) body

Height (Platen extended): 61 in (1549.4 mm)

Height (Platen retracted): 42 in (1066.8 mm)

X = height of the lifting attachment

Y = platen extend and retract

HYDRAULIC SYSTEM

Hydraulic System Flow: 17 GPM (64 LPM)

Hydraulic System Pressure: 3000 PSI (206 BAR)

CAPACITIES:

Fuel: 12.5 US Gallon (47 Liters)

Hydraulic Oil Capacity: 28 US Gallon (106 Liters)

B&D Super Jack 240 Specifications

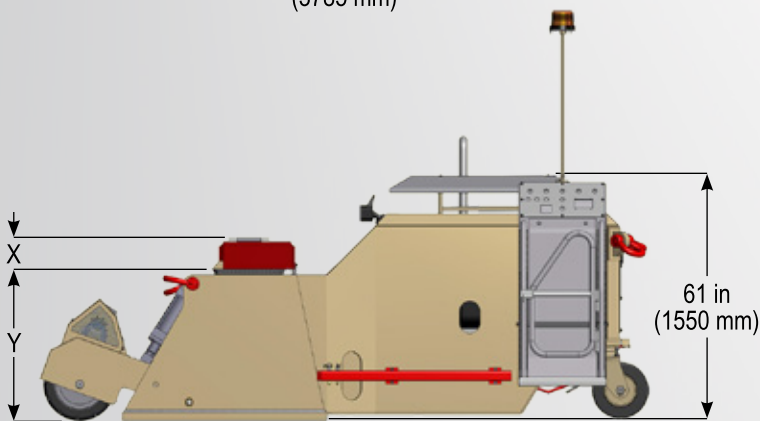
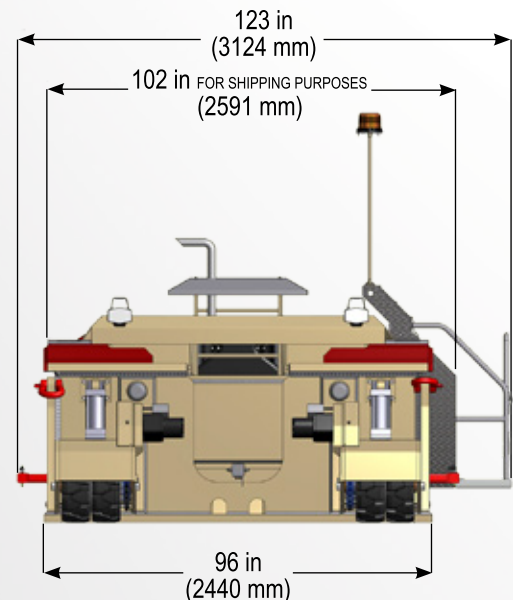
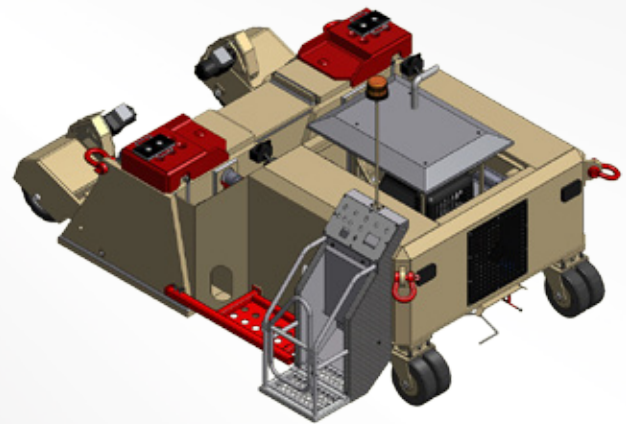
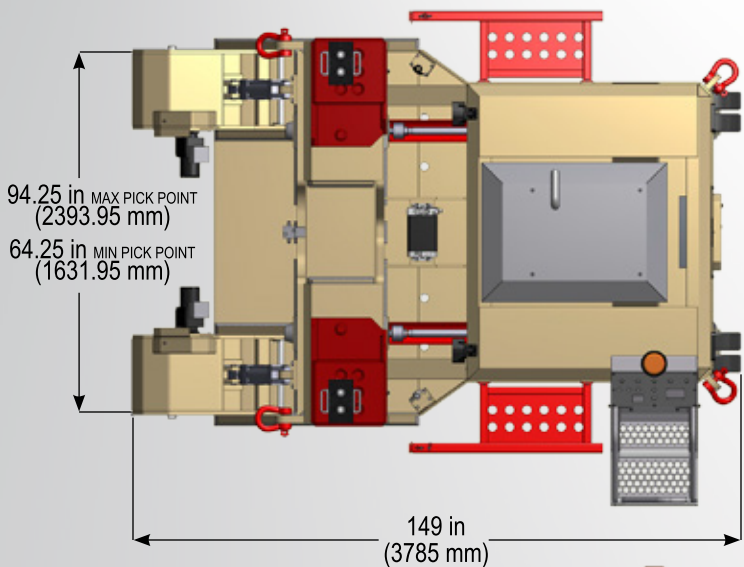
BD-SJ240

Load Rating: 240 Tons (217.7 MT)

Speed: Proportional

Horsepower: 18 hp

Gross Vehicle Weight: 25,000 lb (11,340 kg) with accessories



DIMENSION

Length: 149 in (3785 mm)

Width: 96 in (2440 mm) body

Height (Platen extended): 64 in (1625.3 mm)

Height (Platen retracted): 45 in (1143 mm)

X = height of the lifting attachment

Y = platen extend and retract

HYDRAULIC SYSTEM

Hydraulic System Flow: 17 GPM (64 LPM)

Hydraulic System Pressure: 3000 PSI (206 BAR)

CAPACITIES:

Fuel: 12.5 US Gallon (47 Liters)

Hydraulic Oil Capacity: 28 US Gallon (106 Liters)



Improving safety *while* increasing production.

B&D Super Jack 240-C795 Specifications

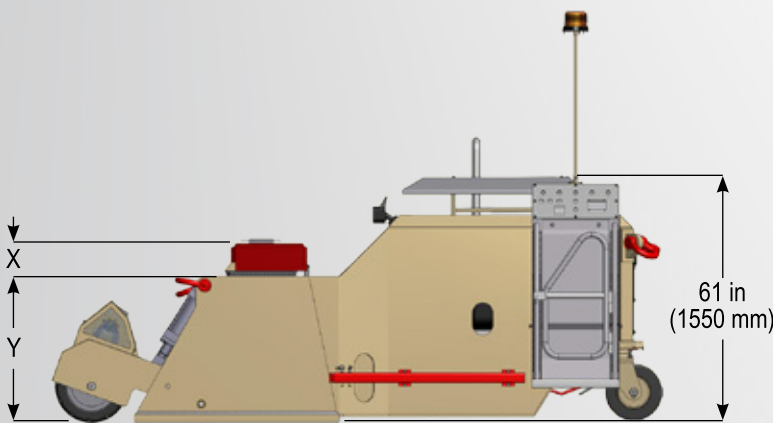
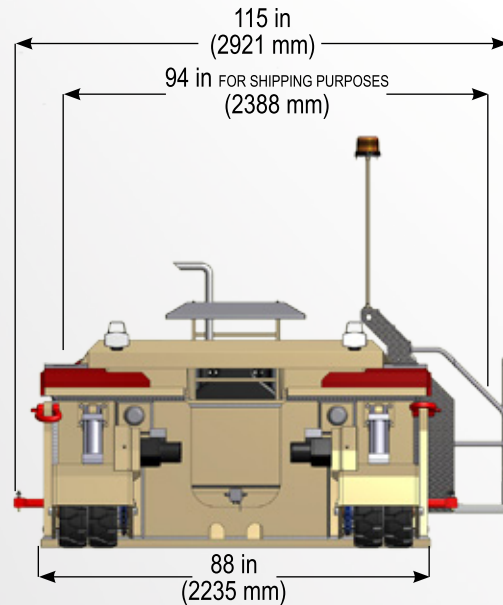
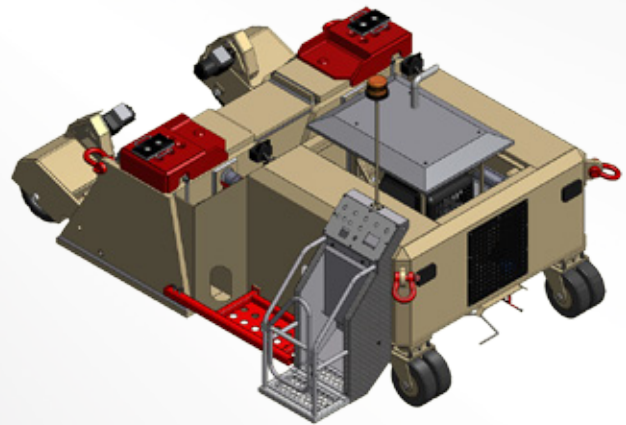
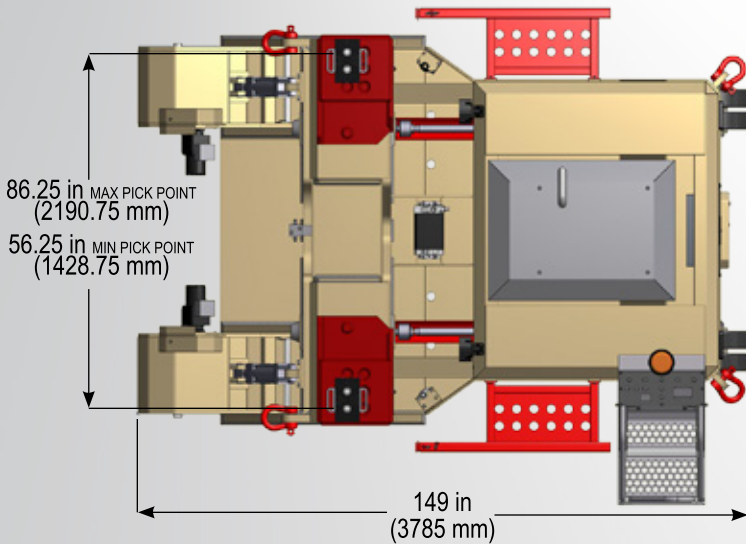
BD-SJ240-C795

Load Rating: 240 Tons (217.7 MT)

Speed: Proportional

Horsepower: 18 hp

Gross Vehicle Weight: 23,000 lb (10,433 kg) with accessories



DIMENSION

Length: 149 in (3785 mm)

Width: 88 in (2235 mm) body

Height (Platen extended): 64 in (1625.3 mm)

Height (Platen retracted): 45 in (1143 mm)

X = height of the lifting attachment

Y = platen extend and retract

HYDRAULIC SYSTEM

Hydraulic System Flow: 17 GPM (64 LPM)

Hydraulic System Pressure: 3000 PSI (206 BAR)

CAPACITIES:

Fuel: 12.5 US Gallon (47 Liters)

Hydraulic Oil Capacity: 28 US Gallon (106 Liters)

1-800-668-0324

Outside Canada and U.S.A.: +1-705-855-2363



Diesel Engine

- 3 cylinder diesel engine
- 4 cylinder high altitude option available
- 25 hp at 2,000 rpm
- Tier 4 emission standards

Hydraulic Power Source

- Closed centre, load sensing piston pump
- 28 US gal (106 Liters) hydraulic reservoir
- System flow: 17 GPM (64 LPM)
- System pressure: 3,000 psi (206 BAR)
- 5 micron absolute pressure and return filtration



B&D MAINTENANCE SUPPORT EQUIPMENT PACKAGE

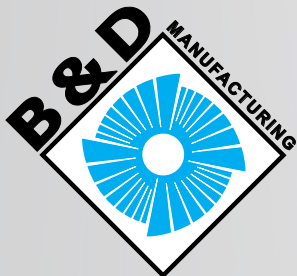
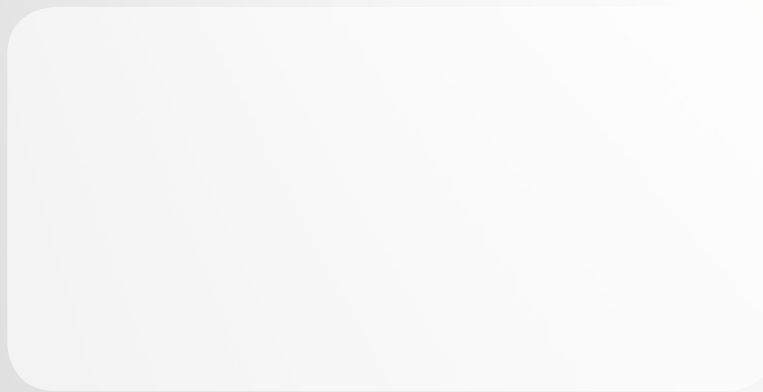
B&D Manufacturing can increase availability and profitability to your trucks and shovels by minimizing maintenance downtime using existing shop floor space or pad.

Our unique package includes:

- B&D Tire Handler Station
- B&D Swing Shaft Changer
- Spreader Bars
- Safety Stands
- B&D Super Jack
- B&D Portable Align Boring Machines
- Work Platforms
- Effluent Tanks
- B&D Multi Handler
- Wheel Chocks



Your local distributor:



Improving safety *while* increasing production.

Toll-free in Canada and U.S.A.:

1-800-668-0324

International:

+1-705-855-2363

sales@bdmfg.com

www.bdmfg.com



B&D Manufacturing, Chelmsford, Ontario, Canada