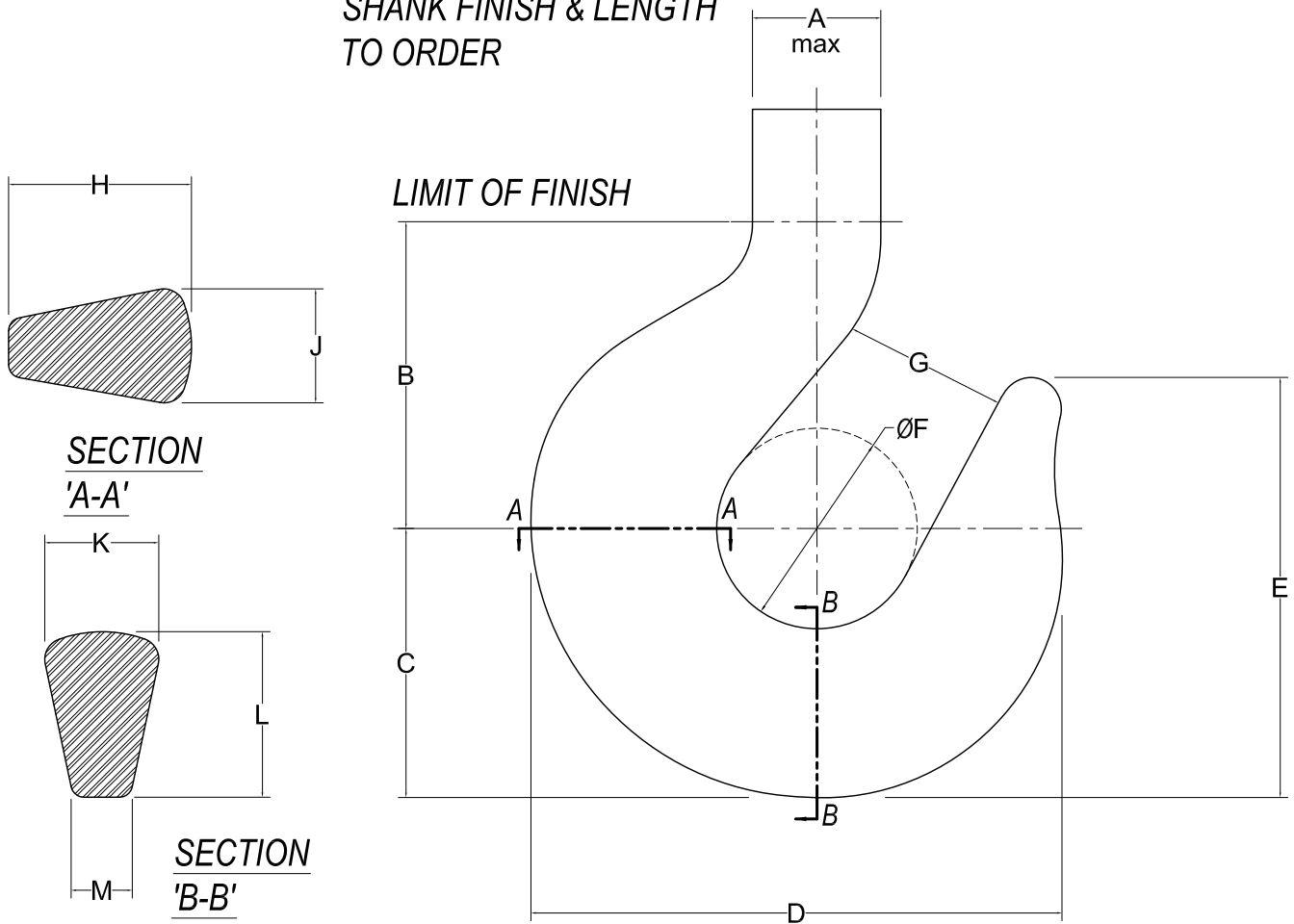


**SHANK FINISH & LENGTH
TO ORDER**



"GP" Series Shank Hooks, Open Die Forged to ASTM A-668 Standards
Available as rough machined forgings or finished machined with nut

CAPACITY (tons)		DIMENSIONS (inches)											
Carbon	Alloy	A	B	C	D	E	F	G	H	J	K	L	M
20	30	3.1	7.0	6.2	13.7	8.8	5.0	4.0	4.6	3.0	3.0	3.7	1.1
25	37	4.0	9.9	7.3	14.1	11.3	5.4	4.3	5.0	3.6	3.6	4.6	1.5
30	45	4.0	10.0	8.1	15.4	12.6	6.0	4.8	5.5	3.7	3.7	5.1	1.6
40	60	4.5	12.0	9.5	18.5	14.7	7.0	5.8	6.5	4.4	4.4	6.0	1.8
50	75	5.0	15.5	10.6	20.6	16.4	7.8	6.5	7.3	4.8	4.8	6.7	2.0
	100	7.0	15.0	12.0	22.9	17.4	6.8	5.9	9.9	5.5	5.5	8.6	3.0
	150	7.3	15.0	12.5	24.3	18.0	6.8	6.0	10.9	6.0	6.0	9.1	3.3
	200	8.0	16.8	13.5	26.7	19.8	7.5	6.5	11.8	7.0	7.0	9.8	3.5
	300	9.5	18.7	15.4	30.1	22.7	9.5	8.0	12.9	7.3	7.3	10.7	4.3

Capacities based on Ultimate Tensile Strength, Carbon 5:1 Alloy 4.5:1