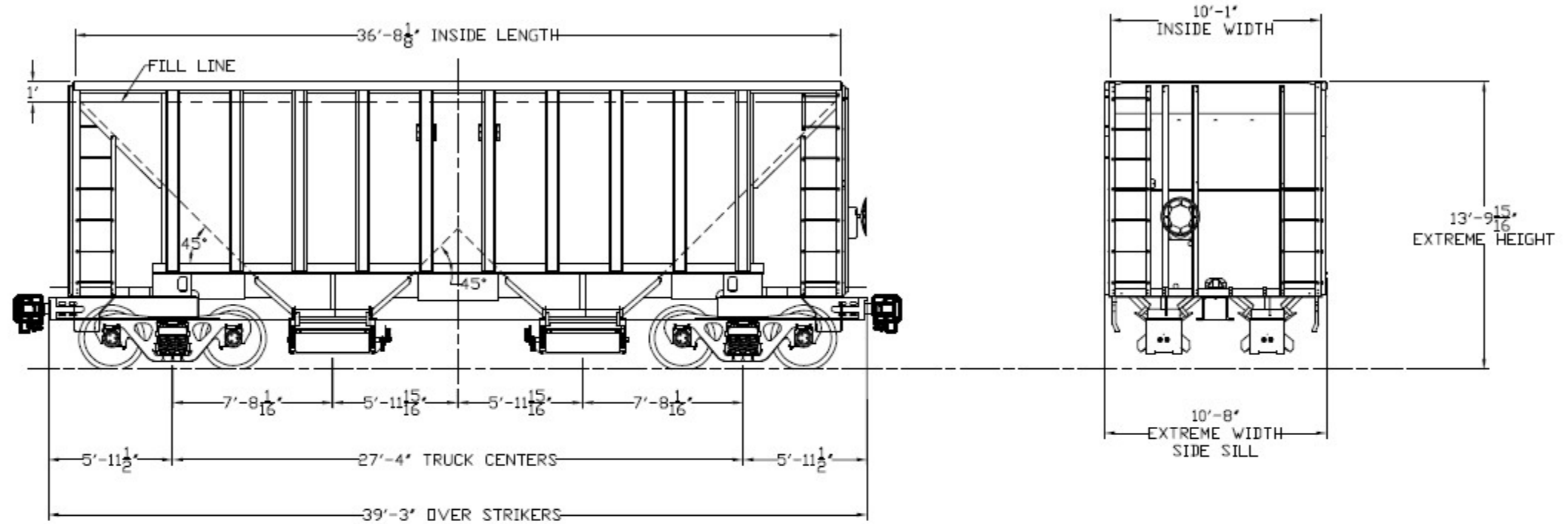


REVISION DATES	
ACAD18	

RR	SERIES	CLASS



GENERAL DATA	CAR BODY DATA	TRUCK DATA	MISCELLANEOUS
BUILT BY- TRINITY INDUSTRIES	BRAKES-	CLASS-	MODIFIED FOR BALLAST SERVICE BY
YEAR BUILT-	EMPTY LOAD BRAKES-	GENERAL ARRGT. DWG.-	RAIL 2022
CUBIC CAPY.- 2,400 CU FT TO FILL LINE	CENTER SILL-	JOURNAL-	
AVERAGE LD. LMT.- 232,000 EST	COUPLER-	WHEELS-	
AVERAGE LT. WT.- 54,000 EST	DRAFT GEAR-	WEIGHT ONE TRUCK-	
BUILDERS REFERENCE-	END-	BRAKE SHOES-	
RAILROAD SPEC.-	FLOOR-	BRAKE BEAMS-	
PURCHASE AUTHORITY-	UNDERFRAME-	ANTI-ROCK-	
GEN. ARRGT. DWG.-	BODY CENTER PL.-		
BRAKE ARRGT. DWG.-	DOOR-		
CLEARANCE- PLATE B	LINING-		
CENTER OF GRAVITY EMPTY-			
LOADED-			
MAX. CURVE COUPLED-			
UNCOUPLED-			

SHEET NO.