



US009631823B2

(12) **United States Patent**
Vandermeulen et al.

(10) **Patent No.:** **US 9,631,823 B2**
(45) **Date of Patent:** **Apr. 25, 2017**

(54) **METHODS AND SYSTEMS FOR DESICCANT AIR CONDITIONING**

(71) Applicant: **7AC Technologies, Inc.**, Beverly, MA (US)

(72) Inventors: **Peter F. Vandermeulen**, Newburyport, MA (US); **Jack I. Hanoka**, Brookline, MA (US)

(73) Assignee: **7AC Technologies, Inc.**, Beverly, MA (US)

(*) Notice: Subject to any disclaimer, the term of this patent is extended or adjusted under 35 U.S.C. 154(b) by 0 days.

(21) Appl. No.: **14/869,504**

(22) Filed: **Sep. 29, 2015**

(65) **Prior Publication Data**

US 2016/0187010 A1 Jun. 30, 2016

Related U.S. Application Data

(62) Division of application No. 13/115,745, filed on May 25, 2011, now Pat. No. 9,243,810.
(Continued)

(51) **Int. Cl.**
F25D 23/00 (2006.01)
F24F 3/14 (2006.01)
(Continued)

(52) **U.S. Cl.**
CPC *F24F 3/1417* (2013.01); *B01D 53/263* (2013.01); *F24F 13/02* (2013.01);
(Continued)

(58) **Field of Classification Search**
CPC F24F 3/1417; F24F 2003/1458; F24F 2033/1435; F24F 2033/144; H02S 10/30;
(Continued)

(56) **References Cited**

U.S. PATENT DOCUMENTS

1,791,086 A 2/1931 Sperr
2,221,787 A 11/1940 Downs et al.
(Continued)

FOREIGN PATENT DOCUMENTS

CN 202229469 U 5/2012
EP 1120609 A1 8/2001
(Continued)

OTHER PUBLICATIONS

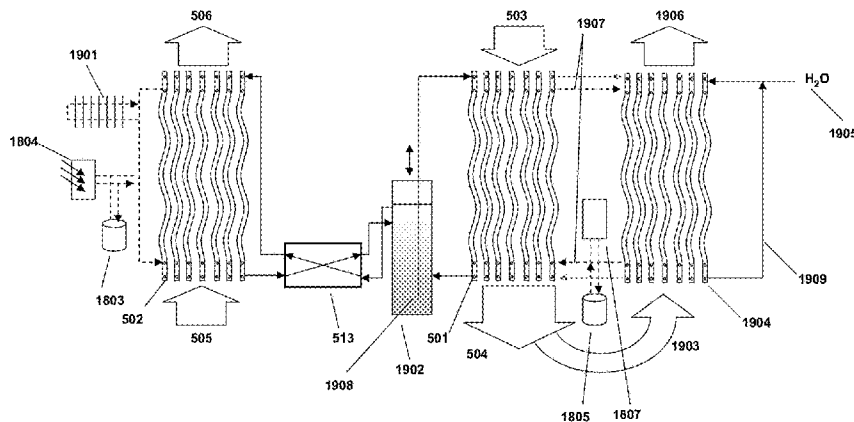
1-Open Absorption System for Cooling and Air Conditioning using Membrane Contactors—Annual Report 2005, Publication No. Publication 260097, Project: 101310—Open Absorption System for Cooling and Air Conditioning using Membrane Contactors, Date of publication: Jan. 3, 2006, Author: Manuel Conde-Petit, Robert Weber, Contractor: M. Conde Engineering.
(Continued)

Primary Examiner — Elizabeth Martin
(74) *Attorney, Agent, or Firm* — Foley Hoag LLP; Rajesh Vallabh

(57) **ABSTRACT**

A desiccant air conditioning system for treating an air stream entering a building space includes a conditioner having structures arranged in a substantially vertical orientation with an air stream gap between adjacent structures. An air stream flows through the air stream gaps and is exposed to the liquid desiccant and dehumidified when in some of the flow paths and exposed to water and humidified when in other flow paths. Each structure further includes a separate collector at a lower end of the at least one surface of that structure for collecting the liquid desiccant or water that has flowed across the at least one surface of the structure. The system also includes a diverter for diverting a portion of the air stream that has been dehumidified to a flow path where it is exposed to water where it absorbs a portion of the water and is thereby cooled.

43 Claims, 44 Drawing Sheets



Related U.S. Application Data

(60) Provisional application No. 61/430,692, filed on Jan. 7, 2011, provisional application No. 61/348,076, filed on May 25, 2010.

(51) **Int. Cl.**

H01L 31/052 (2014.01)
B01D 53/26 (2006.01)
H02S 20/00 (2014.01)
H01L 31/042 (2014.01)
H02S 40/44 (2014.01)
F24F 13/02 (2006.01)
F28D 21/00 (2006.01)
F28F 3/10 (2006.01)
F28F 19/00 (2006.01)
H02S 10/30 (2014.01)

(52) **U.S. Cl.**

CPC *F28D 21/0015* (2013.01); *F28F 3/10* (2013.01); *F28F 19/00* (2013.01); *H01L 31/042* (2013.01); *H01L 31/052* (2013.01); *H01L 31/0521* (2013.01); *H02S 10/30* (2014.12); *H02S 20/00* (2013.01); *H02S 40/44* (2014.12); *B01D 2252/103* (2013.01); *B01D 2259/4508* (2013.01); *F24F 2003/144* (2013.01); *F24F 2003/1435* (2013.01); *F24F 2003/1458* (2013.01); *Y02B 10/70* (2013.01); *Y10T 29/49815* (2015.01)

(58) **Field of Classification Search**

CPC .. B01D 53/261; H01L 31/052; H01L 31/0521
 See application file for complete search history.

(56) **References Cited**

U.S. PATENT DOCUMENTS

2,235,322 A 3/1941 Martin
 2,433,741 A 12/1947 Crawford
 2,988,171 A 6/1961 Arnold et al.
 3,718,181 A 2/1973 Reilly et al.
 4,100,331 A 7/1978 Fletcher et al.
 4,176,523 A 12/1979 Rousseau
 4,205,529 A 6/1980 Ko
 4,209,368 A 6/1980 Coker et al.
 4,222,244 A 9/1980 Meckler
 4,235,221 A 11/1980 Murphy
 4,239,507 A 12/1980 Benoit et al.
 4,259,849 A 4/1981 Griffiths
 4,324,947 A 4/1982 Dumbeck
 4,399,862 A 8/1983 Hile
 4,429,545 A 2/1984 Steinberg
 4,435,339 A * 3/1984 Kragh B01D 1/16
 165/900
 4,444,992 A 4/1984 Cox, III
 4,583,996 A 4/1986 Sakata et al.
 4,607,132 A 8/1986 Jarnagin
 4,612,019 A 9/1986 Langhorst
 4,649,899 A 3/1987 Moore
 4,691,530 A 9/1987 Meckler
 4,703,629 A 11/1987 Moore
 4,766,952 A 8/1988 Onodera
 4,786,301 A 11/1988 Rhodes
 4,832,115 A 5/1989 Albers et al.
 4,872,578 A 10/1989 Fuerschbach et al.
 4,882,907 A 11/1989 Brown, II
 4,887,438 A 12/1989 Meckler
 4,900,448 A 2/1990 Bonne et al.
 4,910,971 A 3/1990 McNab
 4,939,906 A 7/1990 Spatz et al.
 4,941,324 A 7/1990 Peterson et al.
 4,955,205 A 9/1990 Wilkinson
 4,976,313 A 12/1990 Dahlgren et al.
 4,979,965 A 12/1990 Sannholm

4,984,434 A 1/1991 Peterson et al.
 4,987,750 A 1/1991 Meckler
 5,005,371 A 4/1991 Yonezawa et al.
 5,181,387 A 1/1993 Meckler
 5,182,921 A 2/1993 Yan
 5,186,903 A 2/1993 Cornwell
 5,191,771 A 3/1993 Meckler
 5,221,520 A 6/1993 Cornwell
 5,351,497 A 10/1994 Lowenstein
 5,375,429 A 12/1994 Tokizaki et al.
 5,462,113 A 10/1995 Wand
 5,471,852 A 12/1995 Meckler
 5,528,905 A 6/1996 Scarlatti
 5,534,186 A 7/1996 Walker et al.
 5,582,026 A 12/1996 Barto, Sr.
 5,595,690 A 1/1997 Filburn et al.
 5,605,628 A 2/1997 Davidson et al.
 5,638,900 A 6/1997 Lowenstein et al.
 5,641,337 A 6/1997 Arrowsmith et al.
 5,661,983 A 9/1997 Groten et al.
 5,685,152 A 11/1997 Sterling
 5,685,485 A 11/1997 Mock et al.
 5,797,272 A 8/1998 James
 5,832,993 A 11/1998 Ohata et al.
 5,860,284 A 1/1999 Goland et al.
 5,860,285 A 1/1999 Tulpule
 5,928,808 A 7/1999 Eshraghi
 5,933,702 A 8/1999 Goswami
 6,018,954 A 2/2000 Assaf
 6,083,387 A 7/2000 LeBlanc et al.
 6,103,969 A 8/2000 Bussey
 6,156,102 A 12/2000 Conrad et al.
 6,171,374 B1 1/2001 Barton et al.
 6,216,483 B1 4/2001 Potnis et al.
 6,244,062 B1 6/2001 Prado
 6,247,604 B1 6/2001 Taskis et al.
 6,266,975 B1 7/2001 Assaf
 6,417,423 B1 7/2002 Koper et al.
 6,442,951 B1 9/2002 Maeda et al.
 6,463,750 B2 10/2002 Assaf
 6,487,872 B1 12/2002 Forkosh et al.
 6,488,900 B1 12/2002 Call et al.
 6,497,107 B2 * 12/2002 Maisotsenko F28D 5/02
 6,497,749 B2 12/2002 Kesten et al.
 6,502,807 B1 1/2003 Assaf et al.
 6,514,321 B1 2/2003 Lehto et al.
 6,539,731 B2 4/2003 Kesten et al.
 6,546,746 B2 4/2003 Forkosh et al.
 6,557,365 B2 5/2003 Dinnage et al.
 6,660,069 B2 12/2003 Sato et al.
 6,684,649 B1 2/2004 Thompson
 6,739,142 B2 5/2004 Korin
 6,745,826 B2 6/2004 Lowenstein et al.
 6,766,817 B2 7/2004 da Silva
 6,854,278 B2 2/2005 Maisotsenko et al.
 6,854,279 B1 2/2005 Digiovanni et al.
 6,918,404 B2 7/2005 Dias da Silva et al.
 6,938,434 B1 9/2005 Fair
 6,976,365 B2 12/2005 Forkosh et al.
 6,986,428 B2 1/2006 Hester et al.
 7,066,586 B2 6/2006 da Silva et al.
 RE39,288 E 9/2006 Assaf
 7,143,597 B2 12/2006 Hyland et al.
 7,191,821 B2 3/2007 Gronwall et al.
 7,197,887 B2 4/2007 Maisotsenko et al.
 7,269,966 B2 9/2007 Lowenstein et al.
 7,279,215 B2 10/2007 Hester et al.
 7,306,650 B2 12/2007 Slayzak et al.
 7,337,615 B2 3/2008 Reidy
 7,430,878 B2 10/2008 Assaf
 7,758,671 B2 7/2010 Kesten et al.
 7,938,888 B2 5/2011 Assaf
 8,337,590 B2 12/2012 Herencia et al.
 8,353,175 B2 1/2013 Wohlert
 8,496,732 B2 7/2013 Culp et al.
 8,500,960 B2 8/2013 Ehrenberg et al.
 8,623,210 B2 1/2014 Manabe et al.
 8,641,806 B2 2/2014 Claridge et al.

(56)

References Cited

U.S. PATENT DOCUMENTS

8,648,209 B1 2/2014 Lastella
 8,695,363 B2 4/2014 Tang et al.
 8,696,805 B2 4/2014 Chang et al.
 8,769,971 B2 7/2014 Kozubal et al.
 8,790,454 B2 7/2014 Lee et al.
 8,800,308 B2 8/2014 Vandermeulen et al.
 8,876,943 B2 11/2014 Gottlieb et al.
 8,881,806 B2 11/2014 Xie et al.
 8,968,945 B2 3/2015 Fasold et al.
 2001/0015500 A1 8/2001 Shimanuki et al.
 2002/0023740 A1 2/2002 Lowenstein et al.
 2002/0026797 A1 3/2002 Sundhar
 2002/0098395 A1 7/2002 Shimanuki et al.
 2002/0104439 A1 8/2002 Komkova et al.
 2002/0139245 A1 10/2002 Kesten et al.
 2002/0139320 A1 10/2002 Shimanuki et al.
 2002/0148602 A1 10/2002 Nakamura
 2003/0000230 A1 1/2003 Kopko
 2003/0029185 A1 2/2003 Kopko
 2003/0033821 A1 2/2003 Maisotsenko et al.
 2003/0051498 A1 3/2003 Sanford
 2003/0106680 A1 6/2003 Serpico et al.
 2003/0121271 A1* 7/2003 Dinnage F24F 3/1405
 62/94
 2003/0230092 A1 12/2003 Lowenstein et al.
 2004/0040697 A1 3/2004 Pierre et al.
 2004/0061245 A1 4/2004 Maisotsenko et al.
 2004/0109798 A1* 6/2004 Chopard B01D 63/082
 422/198
 2004/0118125 A1* 6/2004 Potnis F02C 7/1435
 60/775
 2004/0134212 A1 7/2004 Lee et al.
 2004/0168462 A1 9/2004 Assaf
 2004/0194944 A1 10/2004 Hendricks et al.
 2004/0211207 A1 10/2004 Forkosh et al.
 2004/0231512 A1 11/2004 Slayzak et al.
 2005/0106021 A1 5/2005 Bunker et al.
 2005/0109052 A1 5/2005 Albers et al.
 2005/0133082 A1 6/2005 Konold et al.
 2005/0210907 A1 9/2005 Gillan et al.
 2005/0218535 A1 10/2005 Maisotsenko et al.
 2005/0257551 A1 11/2005 Landry
 2006/0042295 A1 3/2006 Assaf
 2006/0156750 A1* 7/2006 Lowenstein F24F 3/1417
 62/271
 2006/0278089 A1 12/2006 Theilow
 2007/0169916 A1 7/2007 Wand et al.
 2007/0175234 A1 8/2007 Pruitt
 2007/0234743 A1 10/2007 Assaf
 2008/0127965 A1 6/2008 Burton
 2008/0156471 A1 7/2008 Han et al.
 2008/0196758 A1 8/2008 McGuire
 2008/0203866 A1 8/2008 Chamberlain
 2008/0302357 A1 12/2008 DeNault
 2008/0314567 A1 12/2008 Noren
 2009/0000732 A1 1/2009 Jacobine et al.
 2009/0056919 A1 3/2009 Hoffman et al.
 2009/0095162 A1 4/2009 Hargis et al.
 2009/0173096 A1 7/2009 Wohlert
 2009/0200022 A1 8/2009 Bravo et al.
 2009/0238685 A1 9/2009 Santa Ana
 2010/0000247 A1 1/2010 Bhatti et al.
 2010/0018322 A1 1/2010 Neitzke et al.
 2010/0051083 A1 3/2010 Boyk
 2010/0084120 A1 4/2010 Yin et al.
 2010/0170776 A1 7/2010 Ehrenberg et al.
 2010/0319370 A1* 12/2010 Kozubal F24F 5/0035
 62/92
 2011/0100618 A1 5/2011 Carlson
 2011/0101117 A1* 5/2011 Miyauchi B01D 53/1425
 236/44 A
 2011/0126885 A1 6/2011 Kokotov et al.
 2012/0052785 A1 3/2012 Nagamatsu et al.
 2012/0114527 A1 5/2012 Høglund et al.

2012/0118148 A1 5/2012 Culp et al.
 2012/0118155 A1 5/2012 Claridge et al.
 2012/0125020 A1 5/2012 Vandermeulen et al.
 2012/0125021 A1 5/2012 Vandermeulen et al.
 2012/0125031 A1 5/2012 Vandermeulen et al.
 2012/0131937 A1 5/2012 Vandermeulen et al.
 2012/0131939 A1 5/2012 Vandermeulen et al.
 2012/0132513 A1 5/2012 Vandermeulen et al.
 2012/0152318 A1 6/2012 Kee
 2013/0056177 A1 3/2013 Coutu et al.
 2013/0101909 A1 4/2013 Fasold et al.
 2013/0186121 A1 7/2013 Erb et al.
 2013/0199220 A1 8/2013 Ma et al.
 2013/0227982 A1 9/2013 Forkosh
 2013/0255287 A1 10/2013 Forkosh
 2013/0340449 A1 12/2013 Kozubal et al.
 2014/0054004 A1 2/2014 LePoudre et al.
 2014/0054013 A1 2/2014 LePoudre et al.
 2014/0150481 A1 6/2014 Vandermeulen
 2014/0150656 A1 6/2014 Vandermeulen
 2014/0150657 A1 6/2014 Vandermeulen et al.
 2014/0150662 A1 6/2014 Vandermeulen et al.
 2014/0223947 A1 8/2014 Ranjan et al.
 2014/0245769 A1 9/2014 Vandermeulen et al.
 2014/0250935 A1 9/2014 Prochaska et al.
 2014/0260367 A1 9/2014 Coutu et al.
 2014/0260369 A1 9/2014 Lepoudre
 2014/0260371 A1 9/2014 Vandermeulen
 2014/0260398 A1 9/2014 Kozubal et al.
 2014/0260399 A1 9/2014 Vandermeulen
 2014/0262125 A1 9/2014 Erb et al.
 2014/0262144 A1 9/2014 Erb et al.
 2014/0264968 A1 9/2014 Erb et al.
 2014/0360373 A1 12/2014 Peacos et al.
 2014/0366567 A1 12/2014 Vandermeulen
 2015/0338140 A1 11/2015 Vandermeulen

FOREIGN PATENT DOCUMENTS

EP 1563229 A1 8/2005
 EP 1781995 A1 5/2007
 EP 2256434 A2 12/2010
 EP 2306100 A1 4/2011
 JP 02306067 A 12/1990
 JP H08-105669 A 4/1996
 JP H11-351700 A 12/1999
 JP 2002206834 A 7/2002
 JP 2006-263508 A 10/2006
 JP 2006-529022 A 12/2006
 JP D4273555 B2 6/2009
 JP 2009-293831 A 12/2009
 JP 2010-247022 A 11/2010
 JP 2011-163682 A 8/2011
 KR 2004-0026242 A 3/2004
 KR 10-0510774 B1 8/2005
 KR 2014-0022785 A 2/2014
 WO 9922180 A1 5/1999
 WO 0011426 A1 3/2000
 WO 0055546 A1 9/2000
 WO 03004937 A1 1/2003
 WO 2004046618 A1 6/2004
 WO 2006006177 A1 1/2006
 WO 2008037079 A1 4/2008
 WO 2009094032 A1 7/2009
 WO 2009144880 A1 12/2009
 WO 2009144880 A1* 12/2009 B01D 53/1425
 WO 2011062808 A1 5/2011
 WO 2011161547 A2 12/2011
 WO 2012082093 A1 6/2012

OTHER PUBLICATIONS

2-Open Absorption System for Cooling and Air Conditioning using Membrane Contactors—Annual, Report 2006, Publication No. Publication 260098, Project: 101310—Open Absorption System for Cooling and Air Conditioning using Membrane Contactors, Date of

(56)

References Cited

OTHER PUBLICATIONS

publication: Nov. 14, 2006, Author: Manuel Conde-Petit, Robert Weber, Contractor: M. Conde Engineering.

3-Open Absorption System for Cooling and Air Conditioning Using Membrane Contactors—Final Report, Publication No. Publication 280139, Project: 101310—Open Absorption System for Cooling and Air Conditioning using Membrane Contactors, Date of publication: Jul. 8, 2008, Author: Viktor Dorer, Manuel Conde-Petit, Robert Weber, Contractor: M. Conde Engineering.

4-Conde-Petit, M. 2007. Liquid Desiccant-Based Air-Conditioning Systems—LDACS, Proc. of the 1st European Conference on Polygeneration—Technologies and Applications, 217-234, A. Coronas, ed., Tarragona—Spain, Oct. 16-17, Published by CREVER—Universitat Rovira I Virgili, Tarragona, Spain.

5-Conde-Petit, M. 2008. Open Absorption Systems for Air-Conditioning using Membrane Contactors, Proceedings '15. Schweizerisches Status-Seminar <<Energie- und Umweltforschung im Bauwesen>>, Sep. 11-12—ETH Zurich, Switzerland. Published by Brenet—Eggwilstr. 16a, CH-9552 Bronschhofen—Switzerland (brenet@vogel-tech.ch).

6-Third Party Observations for PCT/US2011/037936, dated Sep. 24, 2012.

Ashrae, et al., “Desiccant Dehumidification and Pressure Drying Equipment,” 2012 ASHRAE Handbook—HVAC Systems and Equipment, Chapter 24, pp. 24.1-24.12.

Feccali, et al., “Energy and Economic Assessment of Desiccant Cooling,” Solar Energy, Issue 83, pp. 1828-1846, Aug. 2009.

Fimbres-Weihs, et al., “Review of 3D CFD modeling of flow and mass transfer in narrow spacer-filled channels in membrane modules,” Chemical Engineering and Processing 49 (2010) pp. 759-781.
Li, F. et al “Novel spacers for mass transfer enhancement in membrane separations,” Journal of Membrane Science, 253 (2005), pp. 1-12.

Li, Y., et al., “CFD simulation of fluid flow through spacer-filled membrane module: selecting suitable cell types for periodic boundary conditions,” Desalination 233 (2008) pp. 351-358.

Liu, et al., “Research Progress in Liquid Desiccant Air Conditioning Devices and Systems,” Frontiers of Energy and Power Engineering in China, vol. 4, Issue 1, pp. 55-65, Feb. 2010.

Lowenstein, “A Solar Liquid-Desiccant Air Conditioner,” Solar 2003, Proceedings of the 32nd ASES Annual conference, Austin, TX, Jul. 2003.

Mathioulakis, “Desalination by Using Alternative Energy,” Desalination, Issue 203, pp. 346-365, 2007.

Perry “Perry’s Chemical Engineers handbook” 1999 McGraw Hill p. 11-52, 11-53.

Russell, et al., “Optimization of Photovoltaic Thermal Collector Heat Pump Systems,” ISES International Solar Energy conference, Atlanta, GA, vol. 3, pp. 1870-1874, May 1979.

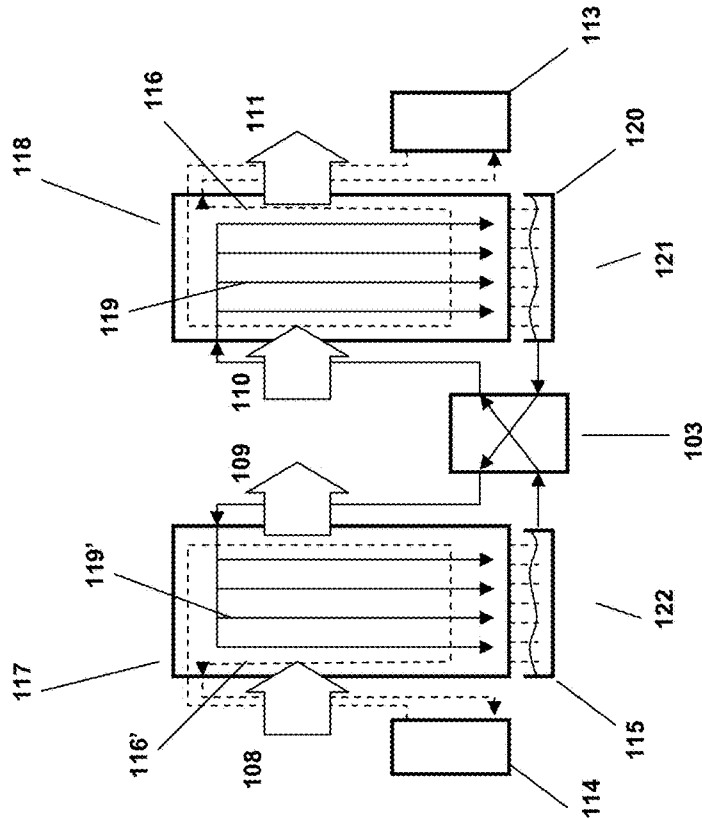
“Siphon.” Encyclopedia Americana. Grolier Online, 2015. Web. Apr. 3, 2015. 1 page.

Welty, “Liquid Desiccant Dehumidification,” Engineered Systems, May 2010, vol. 27 Issue 5, p. 34.

International Search Report and Written Opinion PCT/US2011/037936, dated Feb. 9, 2012.

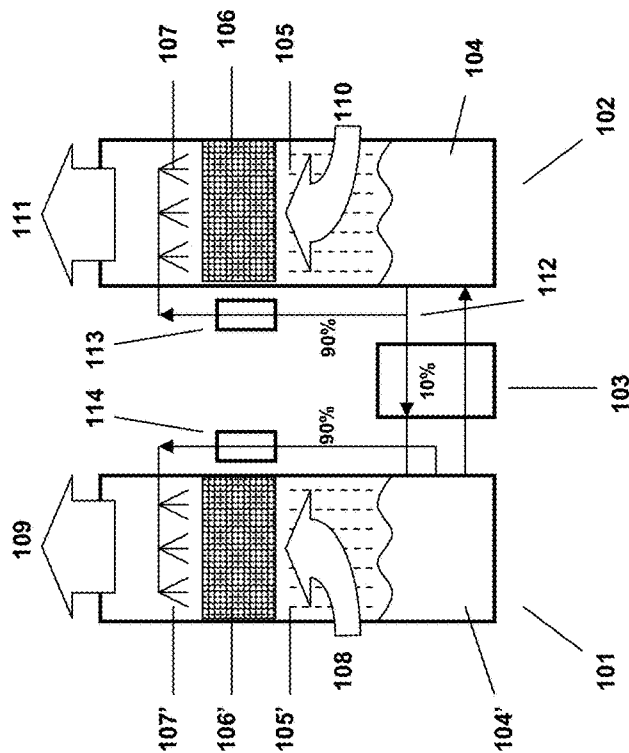
European Search Report for EP11787343.0, dated Nov. 27, 2013.

* cited by examiner



PRIOR ART

FIG. 1B



PRIOR ART

FIG. 1A

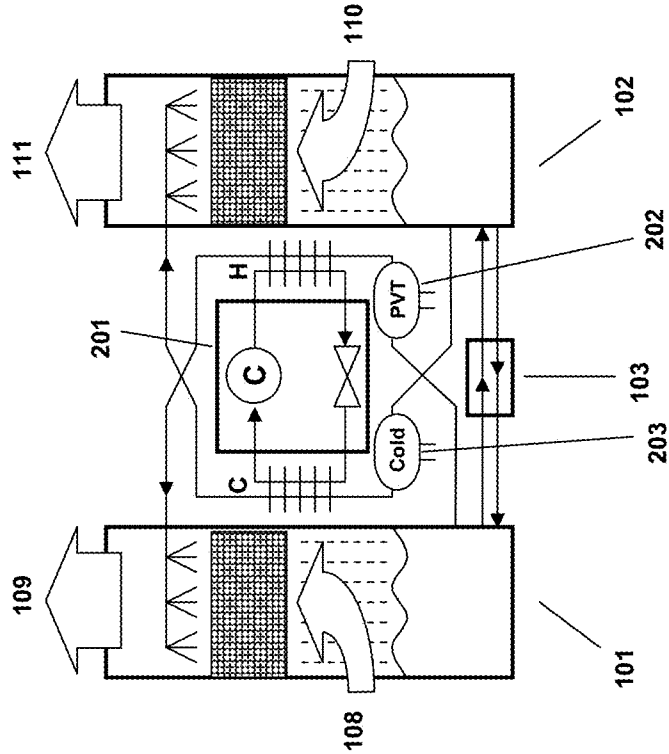
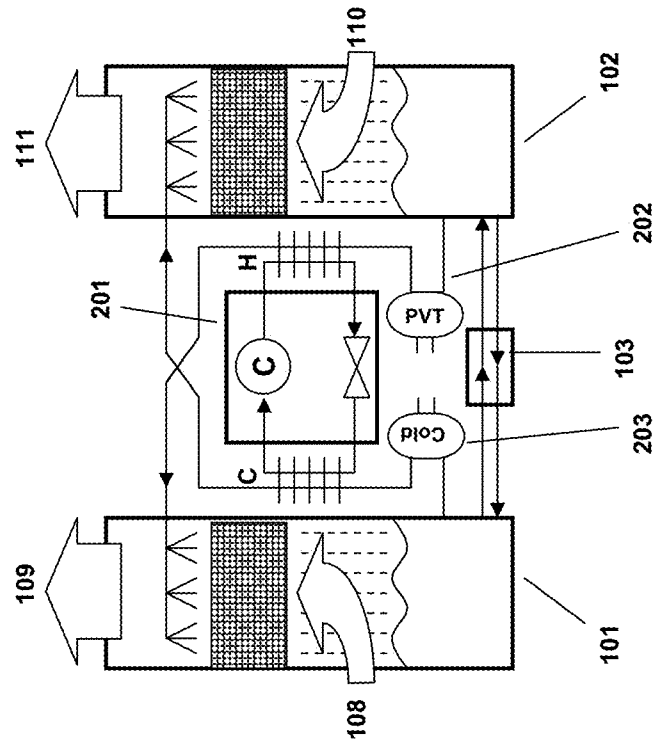


FIG. 2B



○ : corrosive duty heat exchanger

FIG. 2A

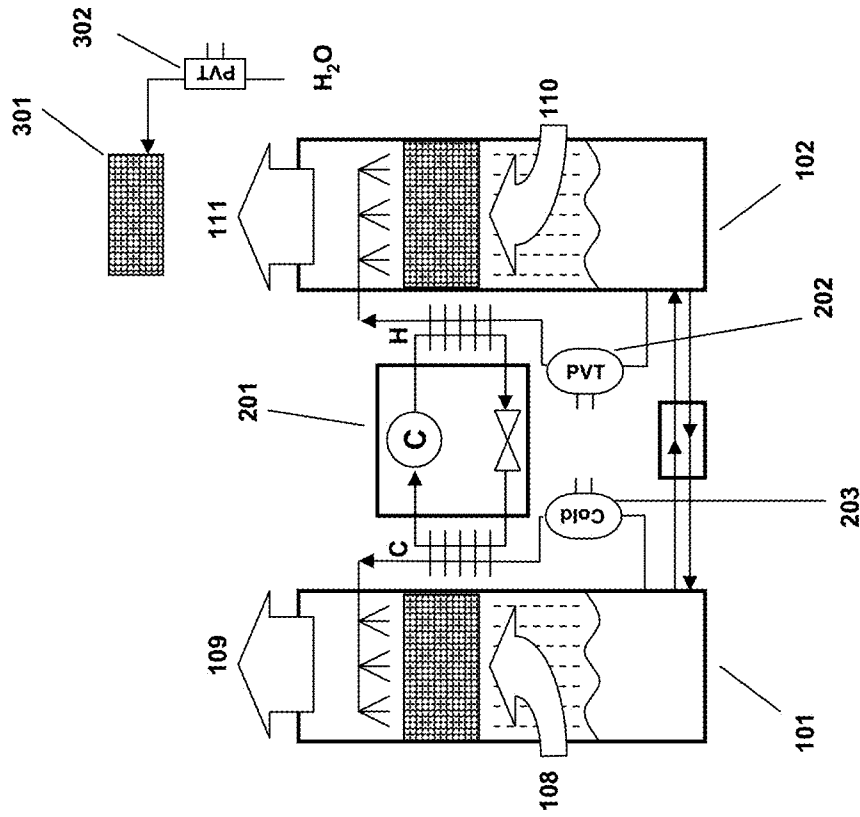
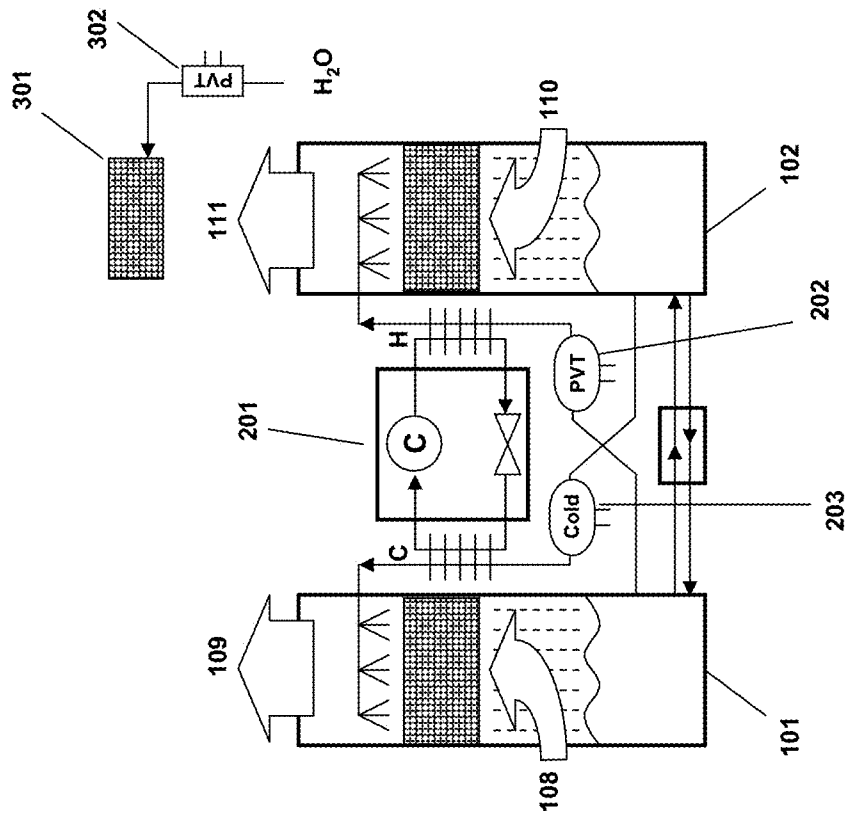


FIG. 3B



PVT : connection to PVT modules

FIG. 3A

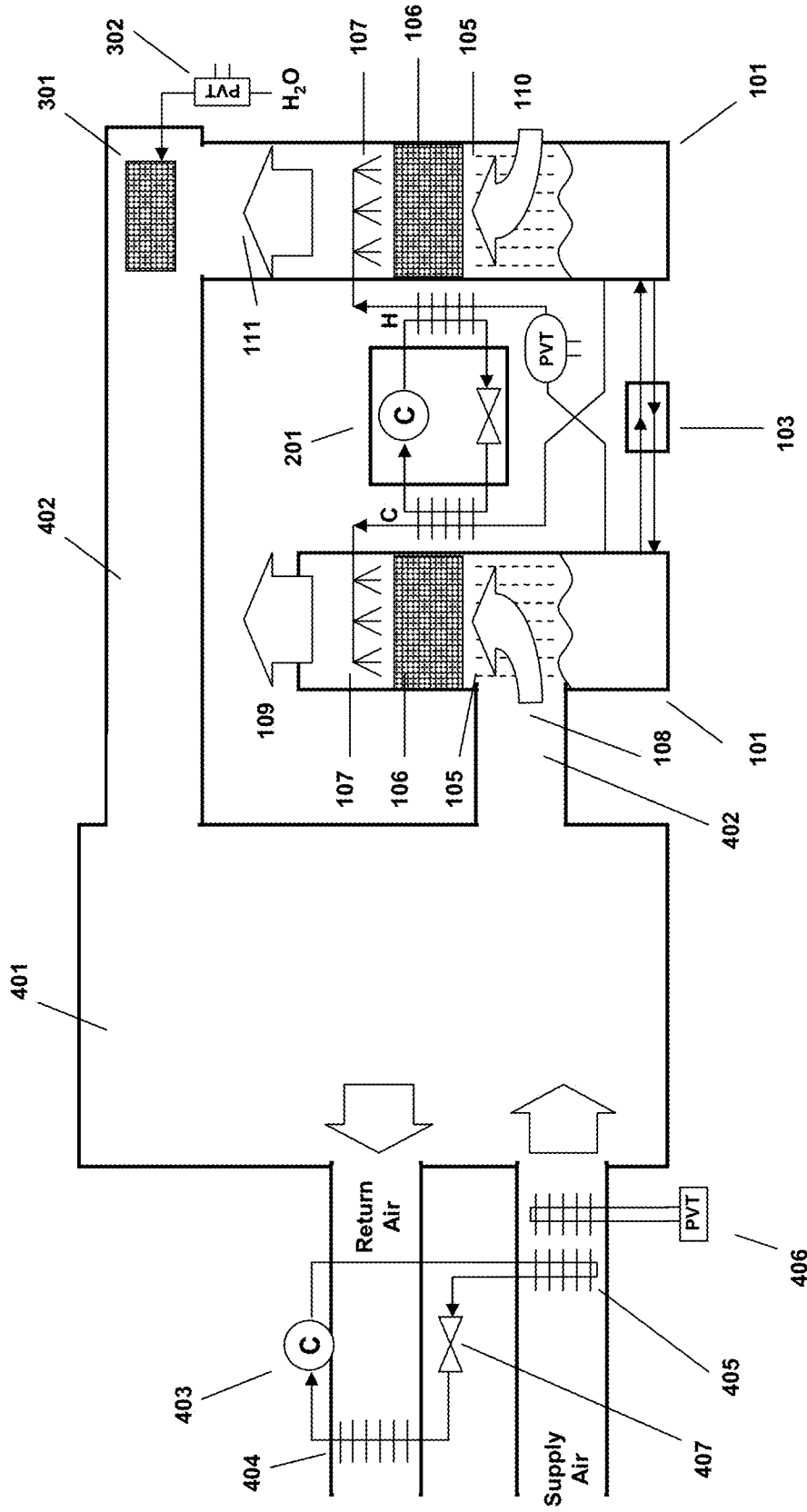


FIG. 4

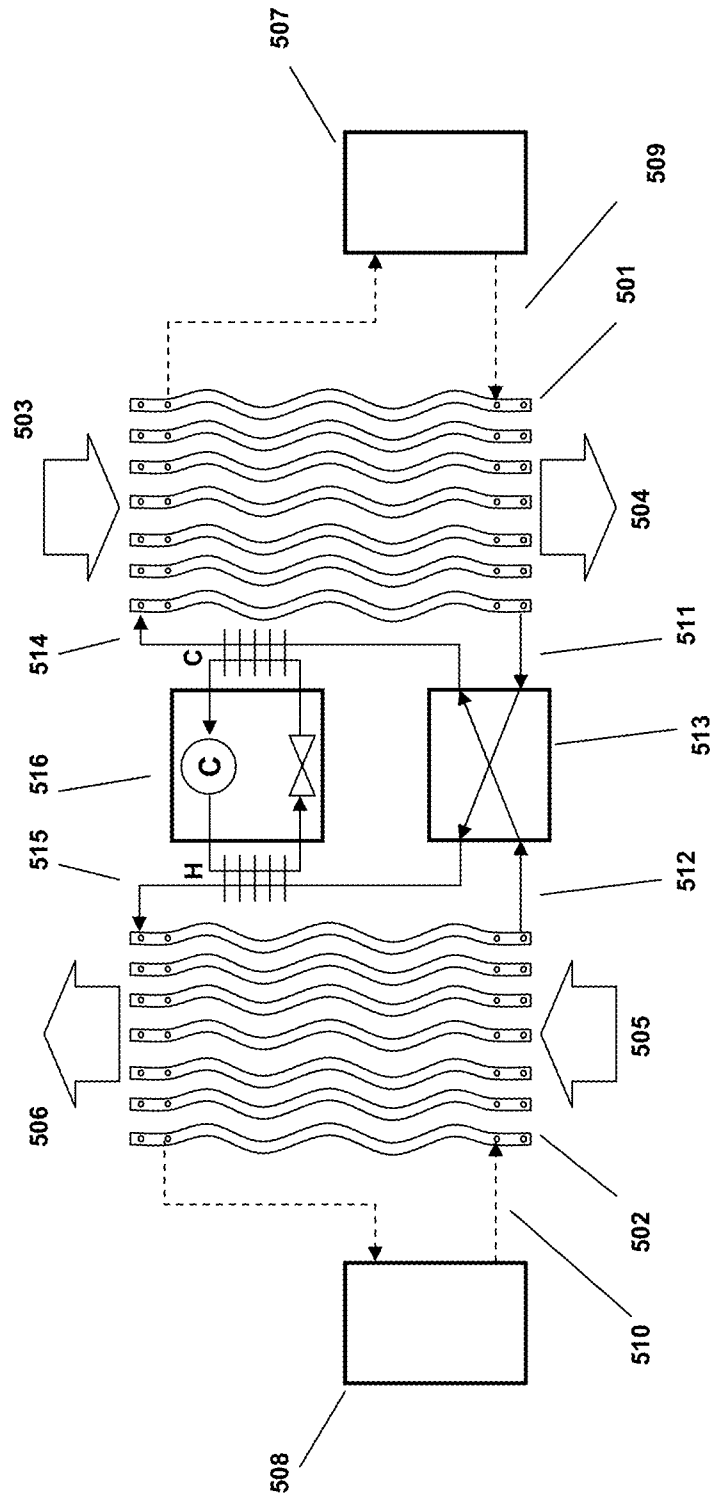


FIG. 5

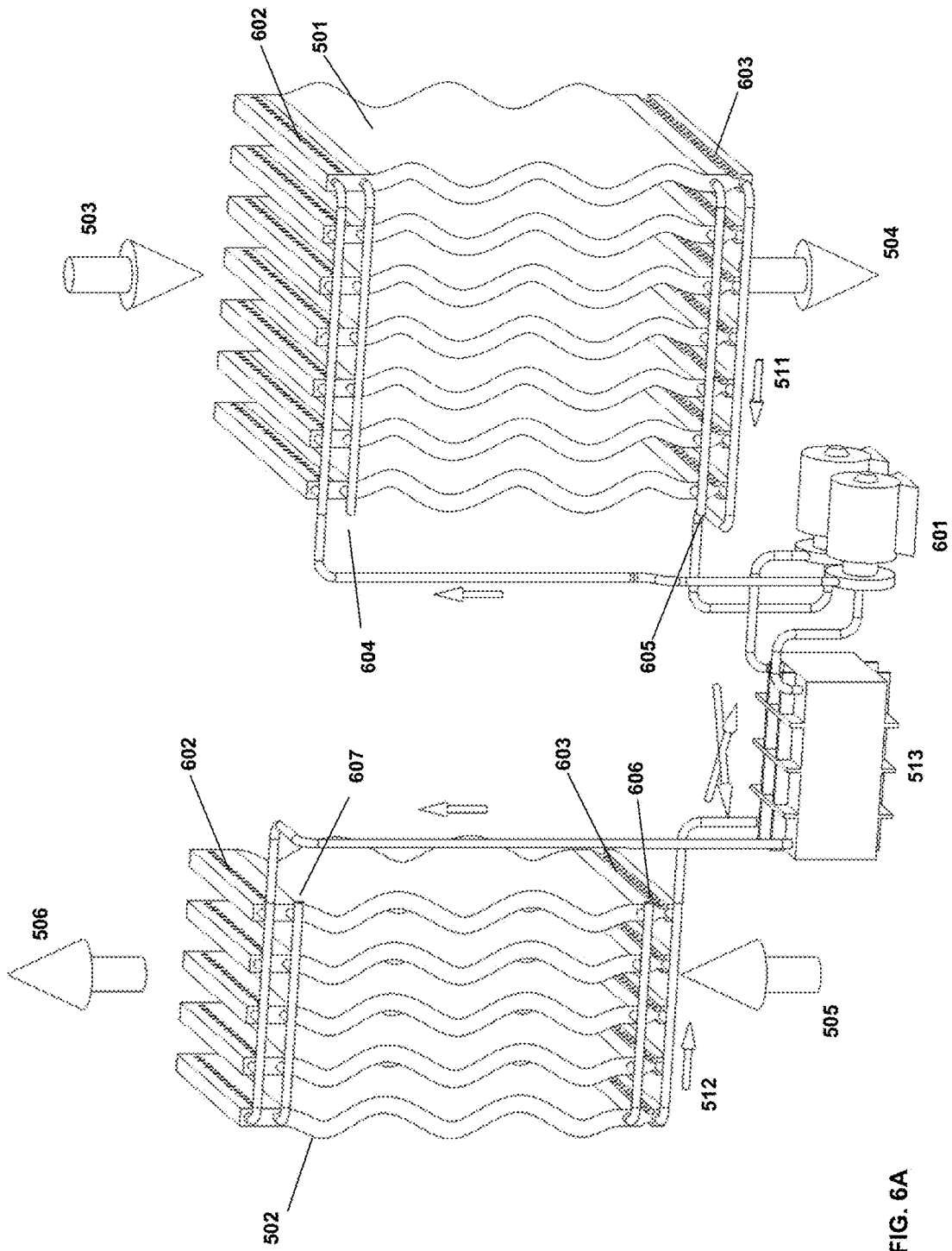


FIG. 6A

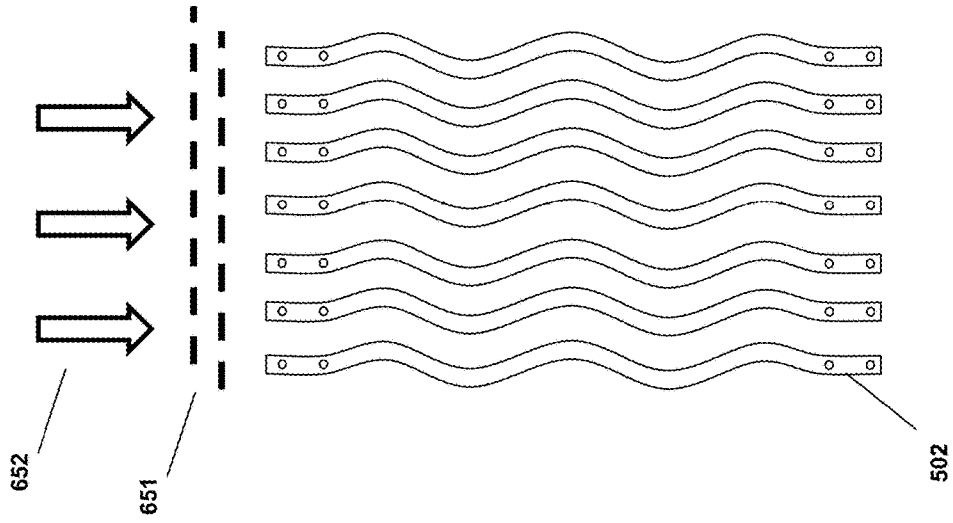


FIG. 6B

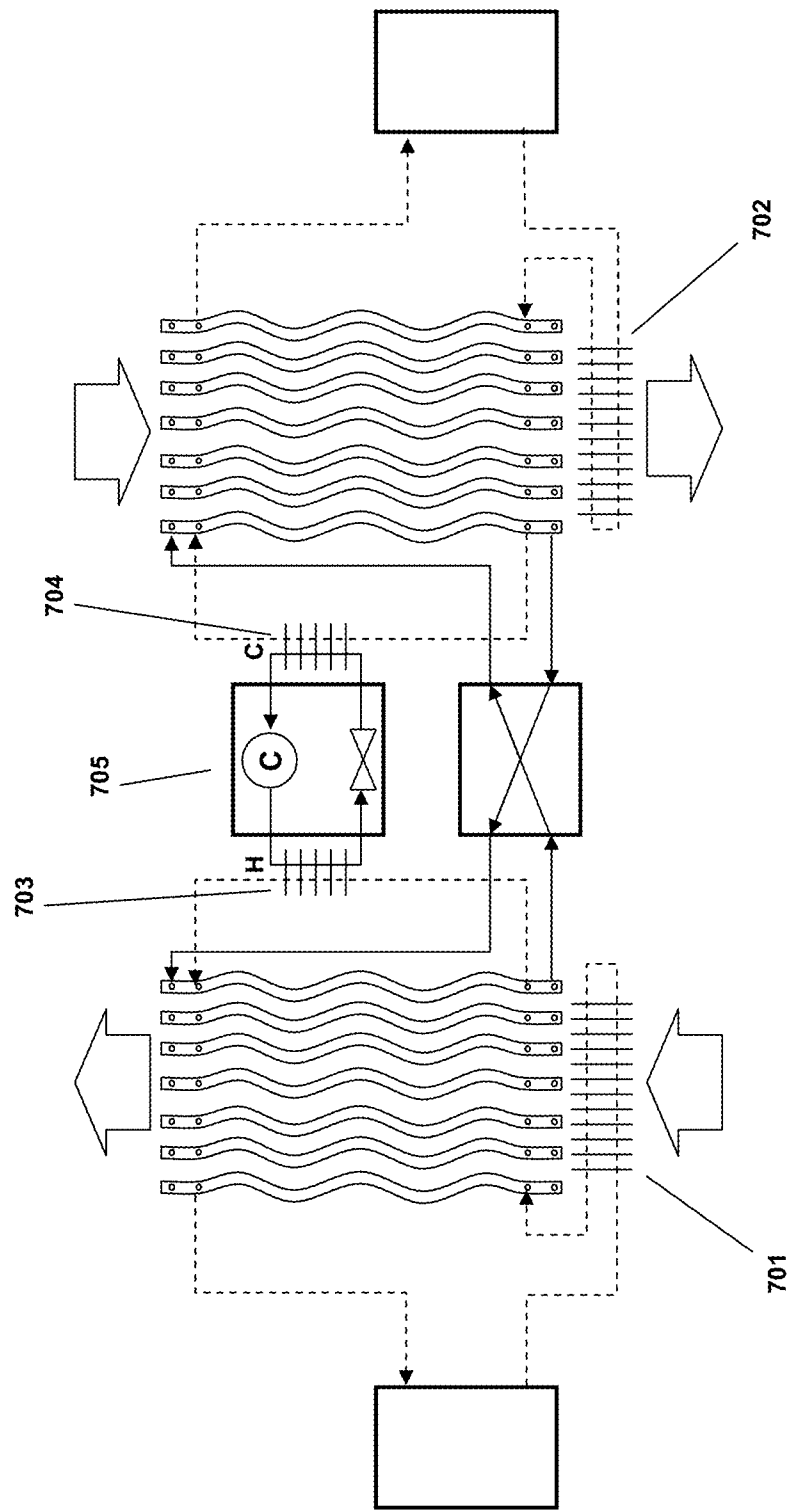


FIG. 7

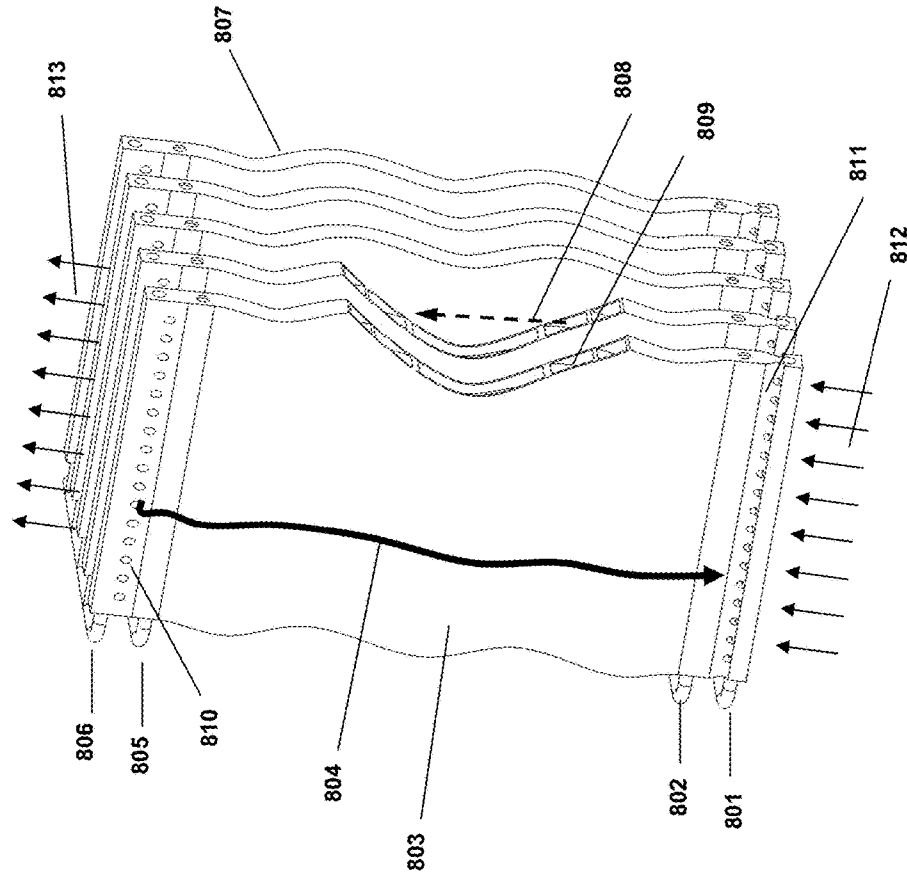


FIG. 8

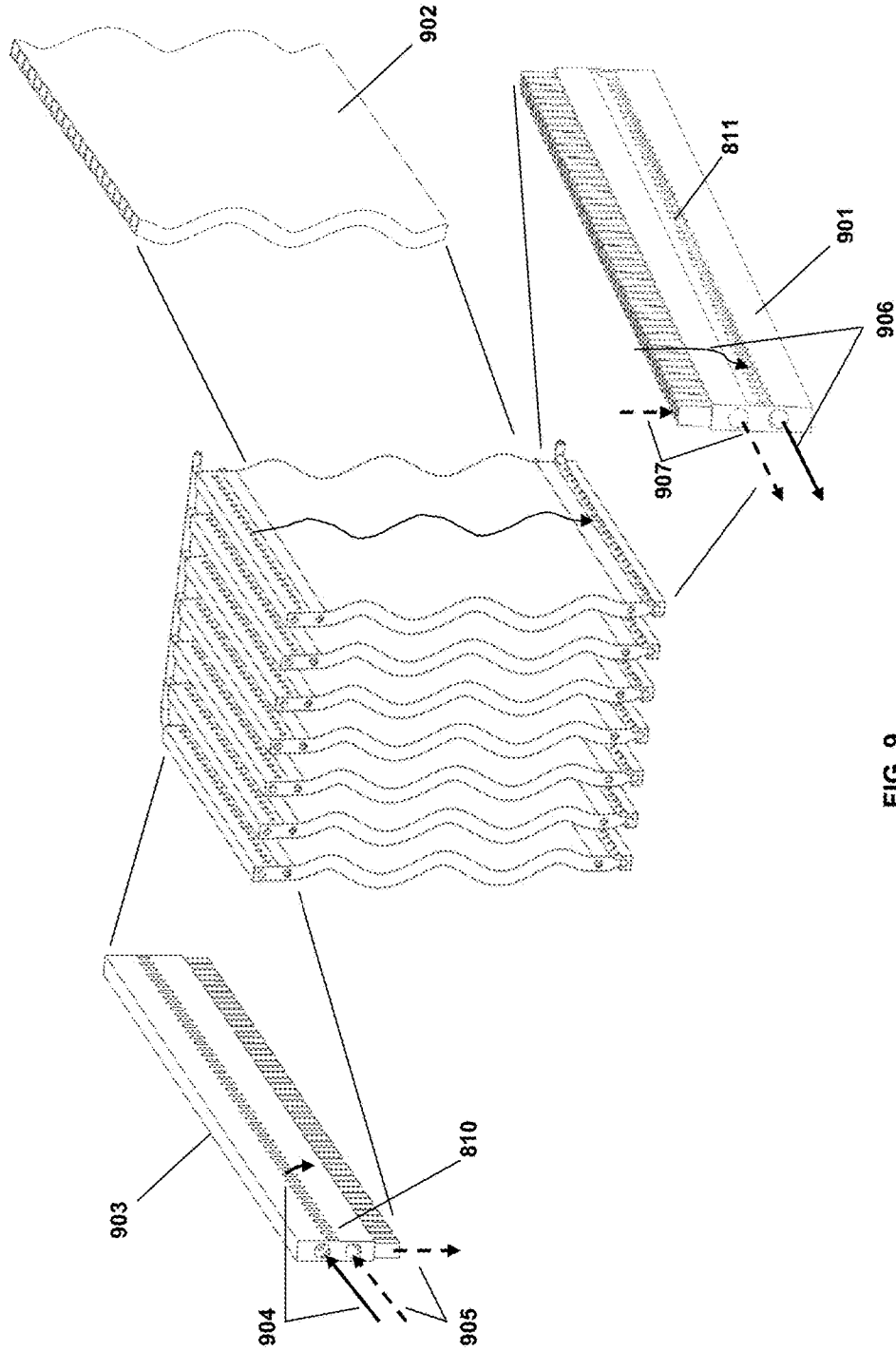


FIG. 9

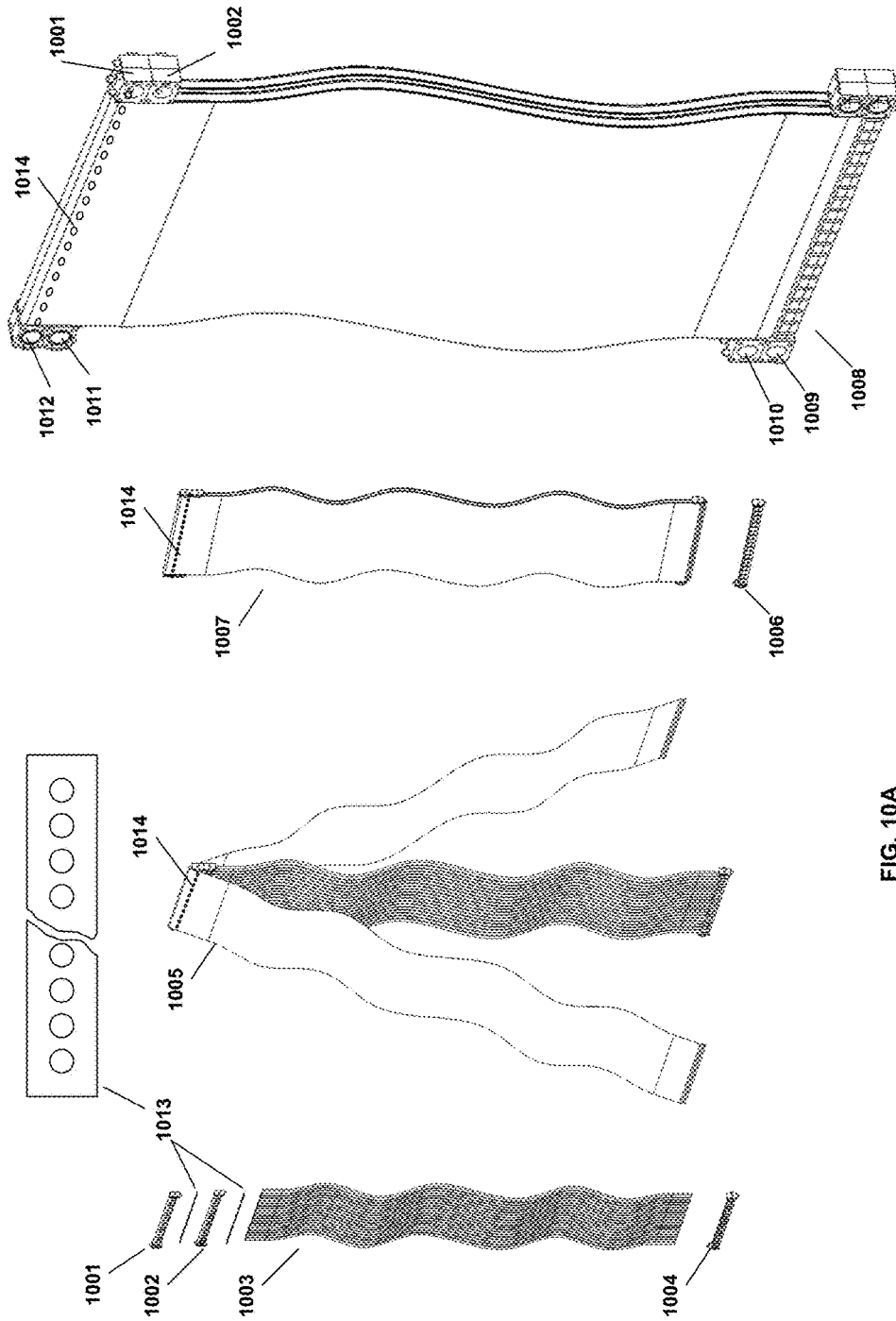


FIG. 10A

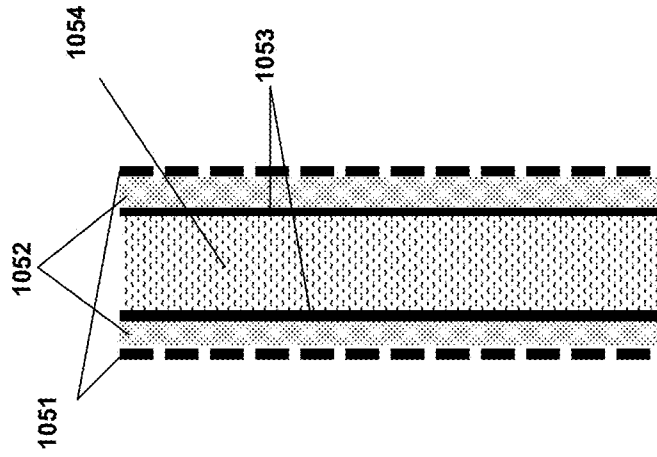


FIG. 10E

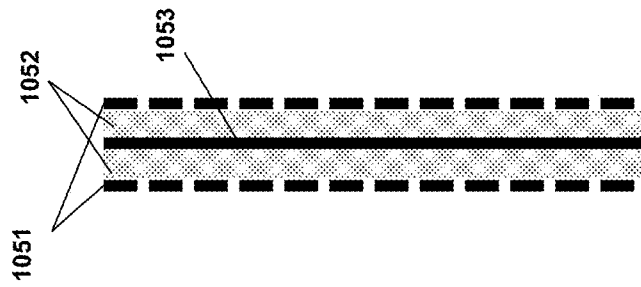


FIG. 10D

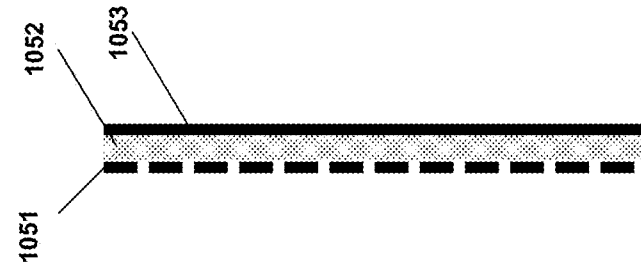


FIG. 10C

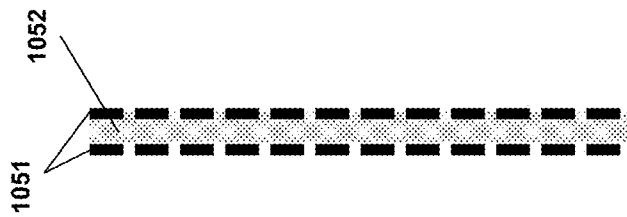


FIG. 10B

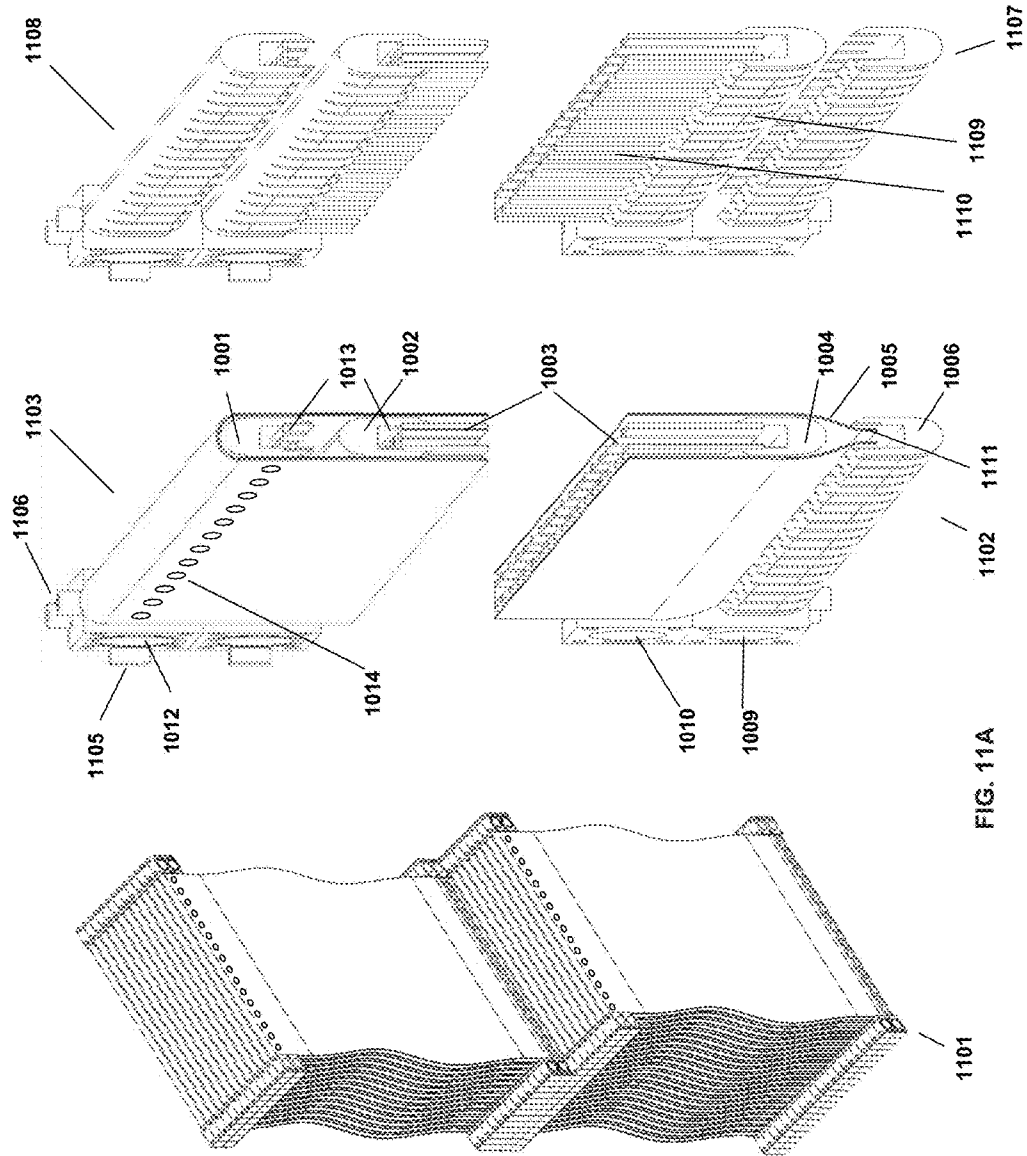


FIG. 11A

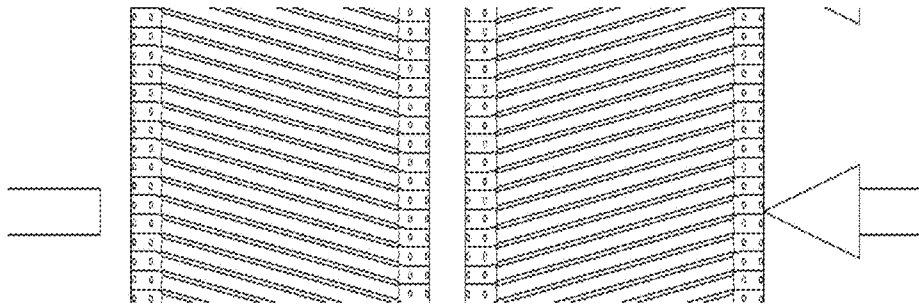


FIG. 11C

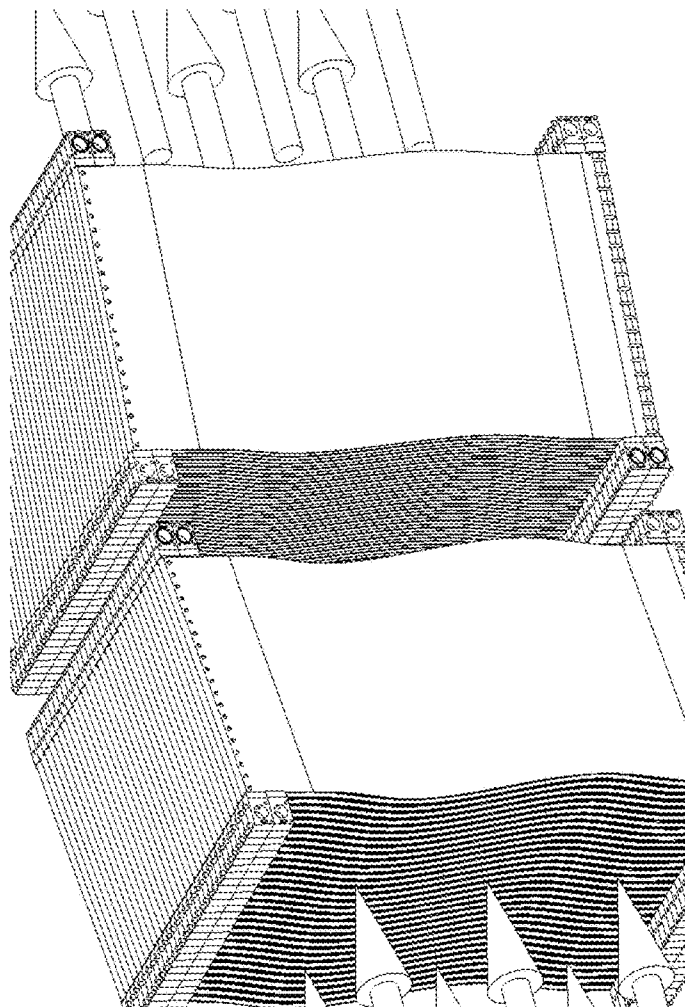


FIG. 11B

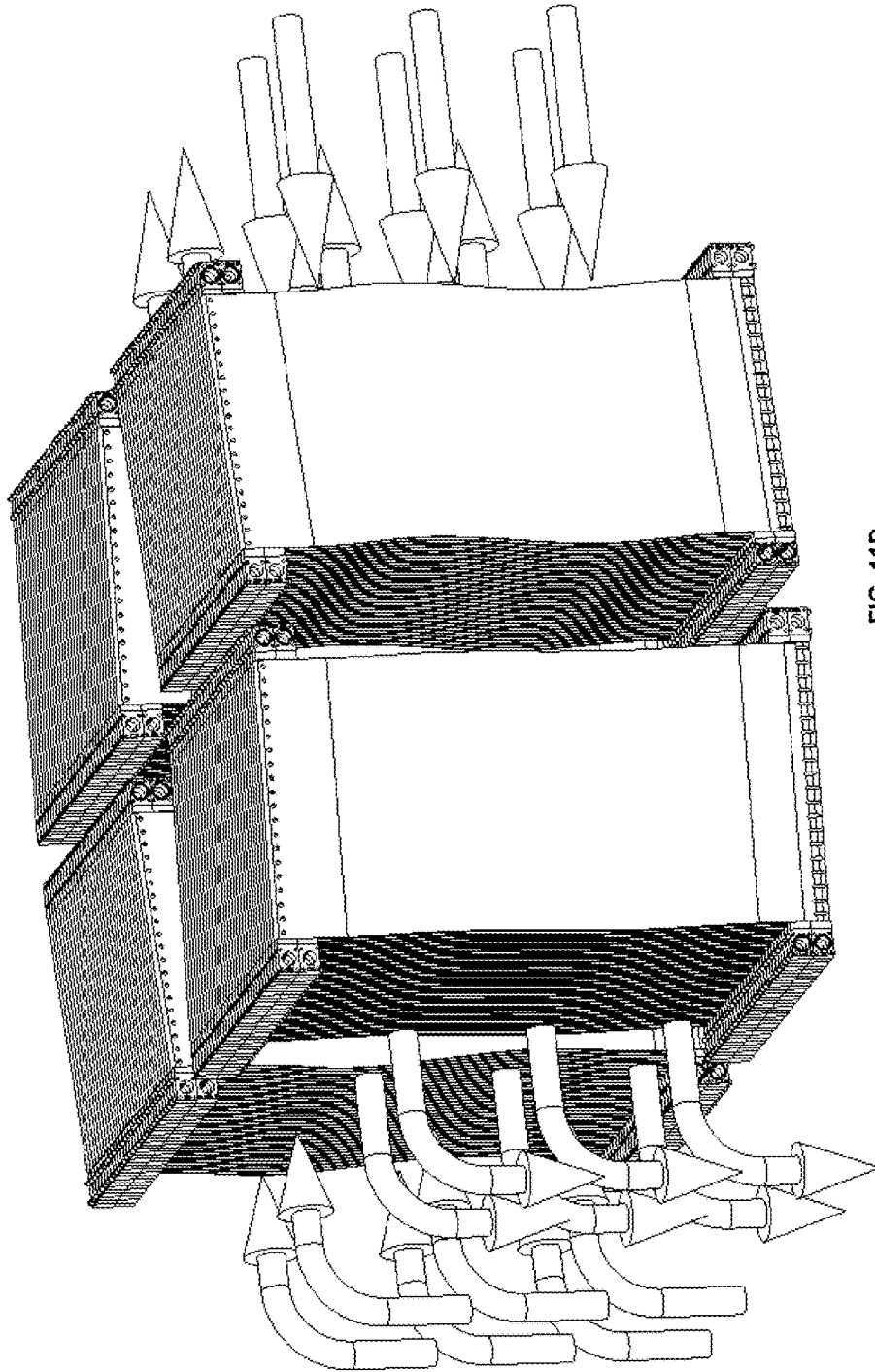


FIG. 11D

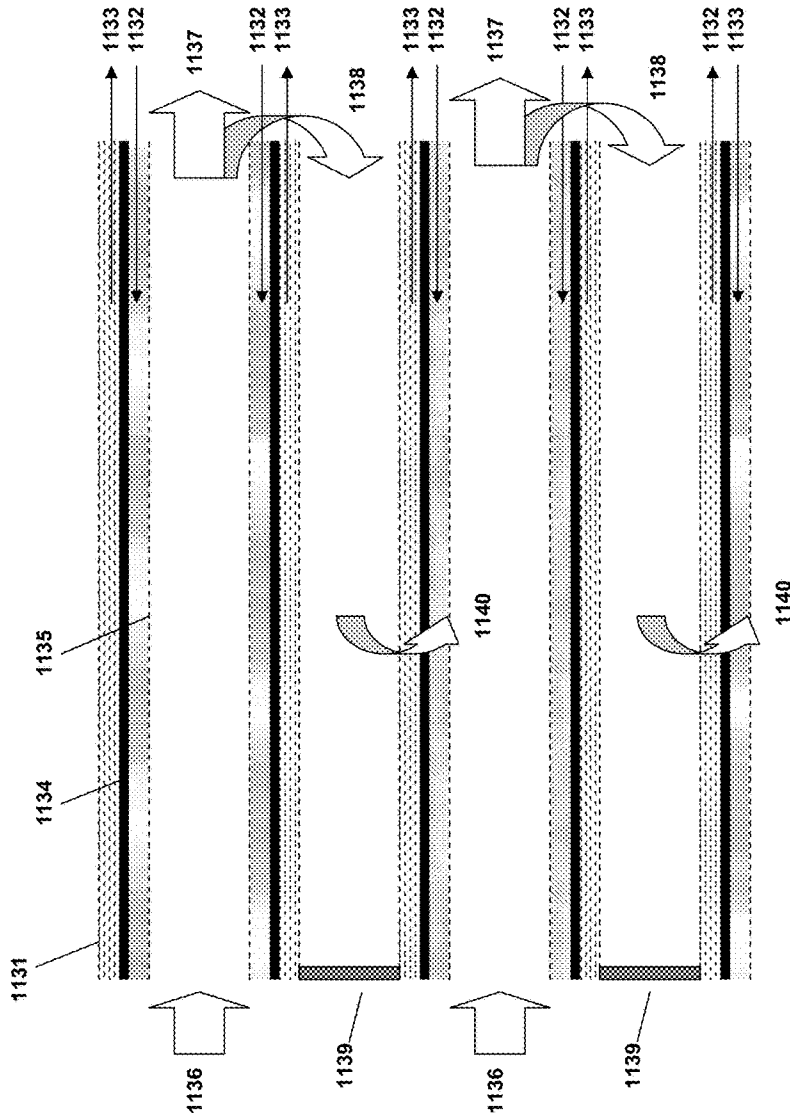


FIG. 11E
PRIOR ART

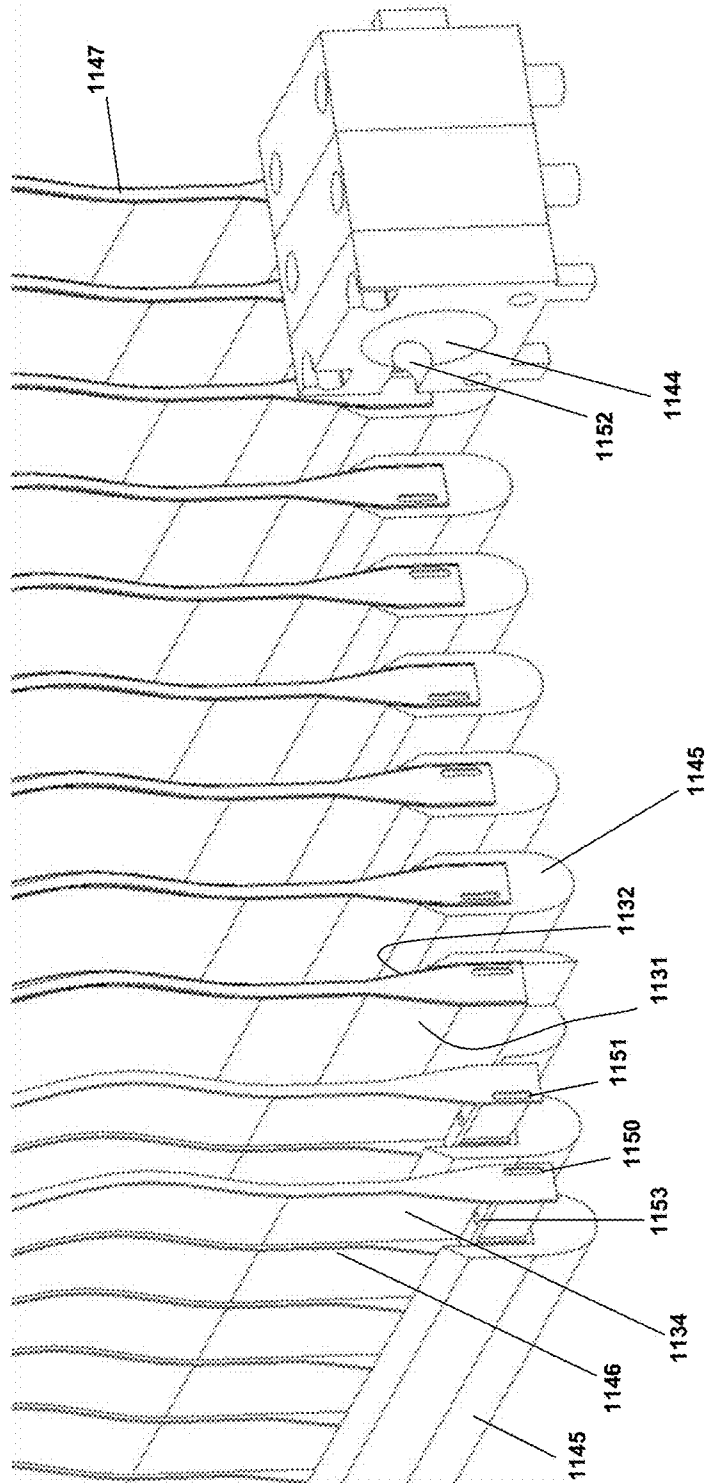
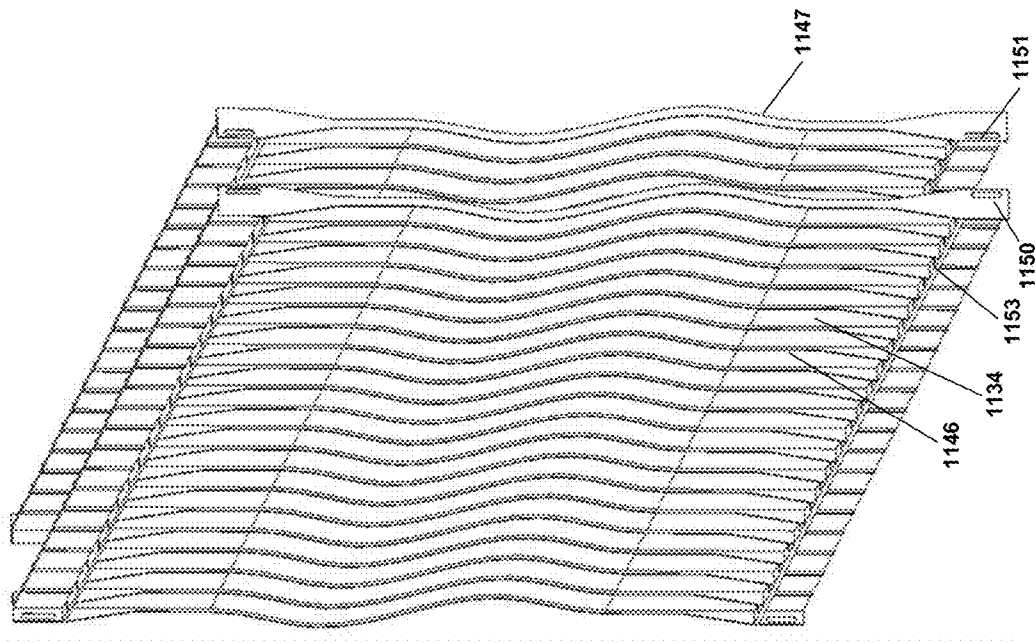


FIG. 11G

FIG. 11H



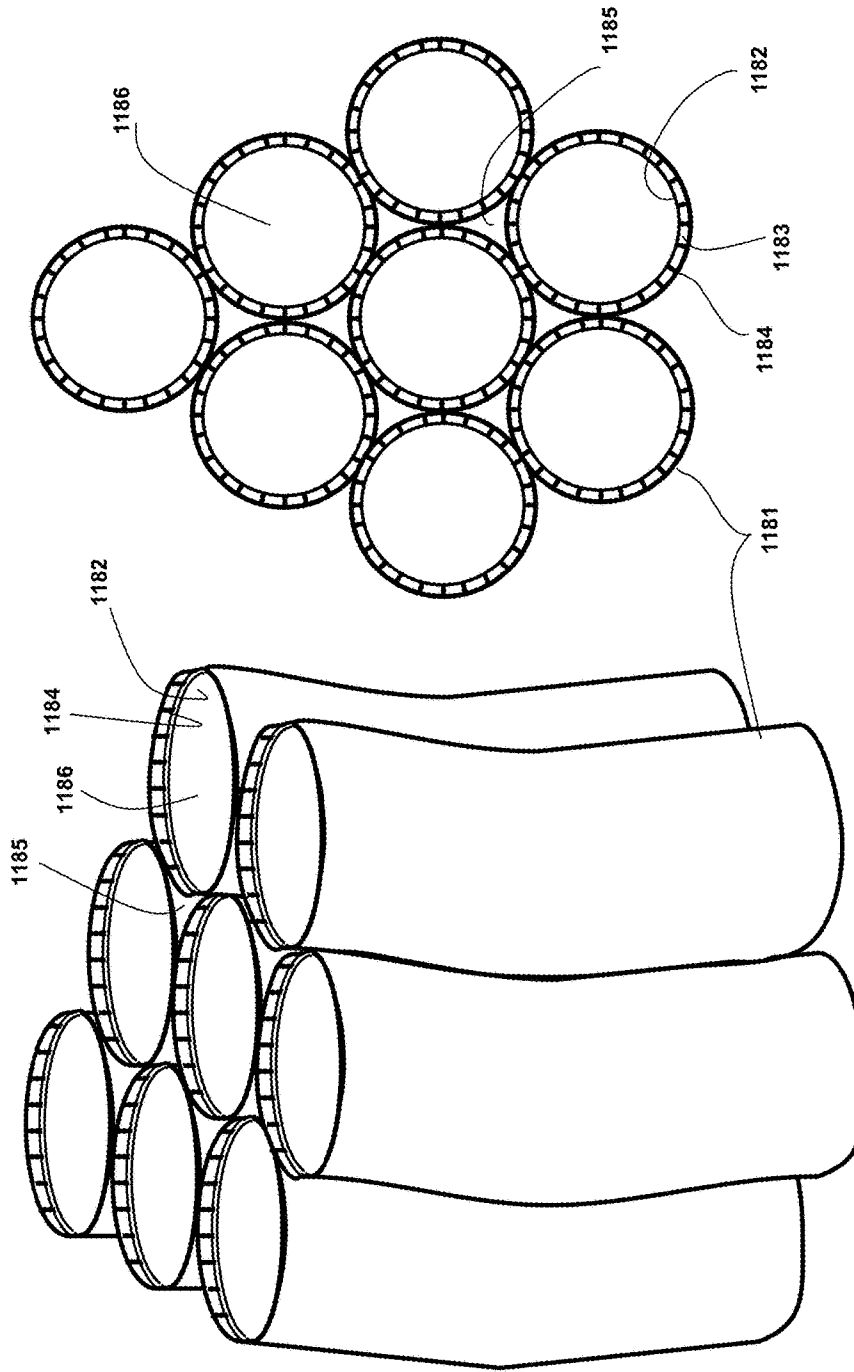


FIG. 11J

FIG. 11I

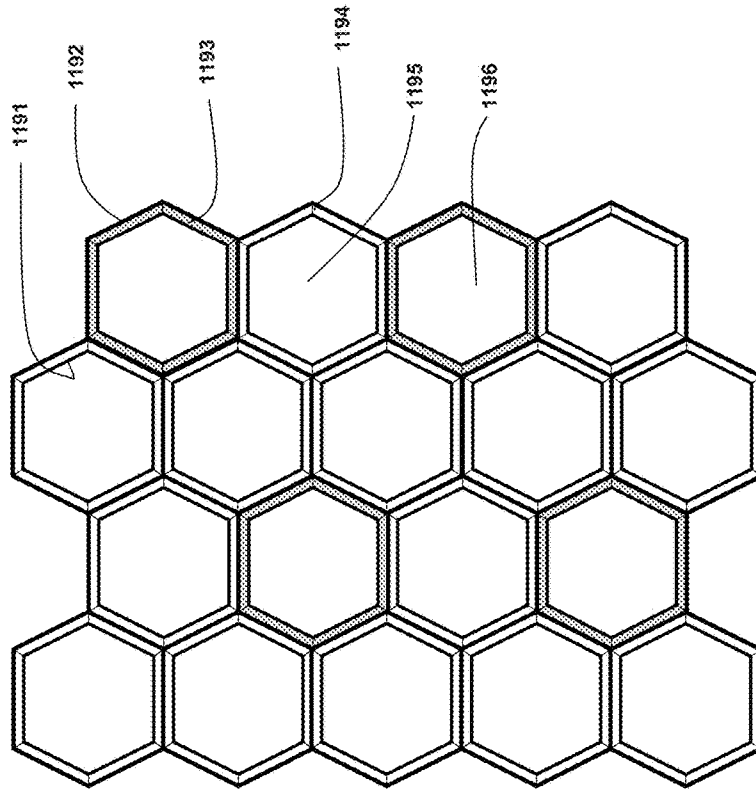


FIG. 11L

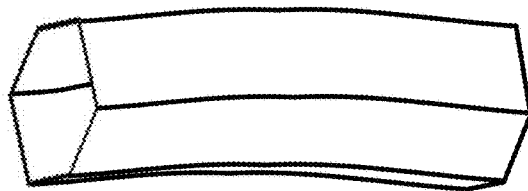


FIG. 11K

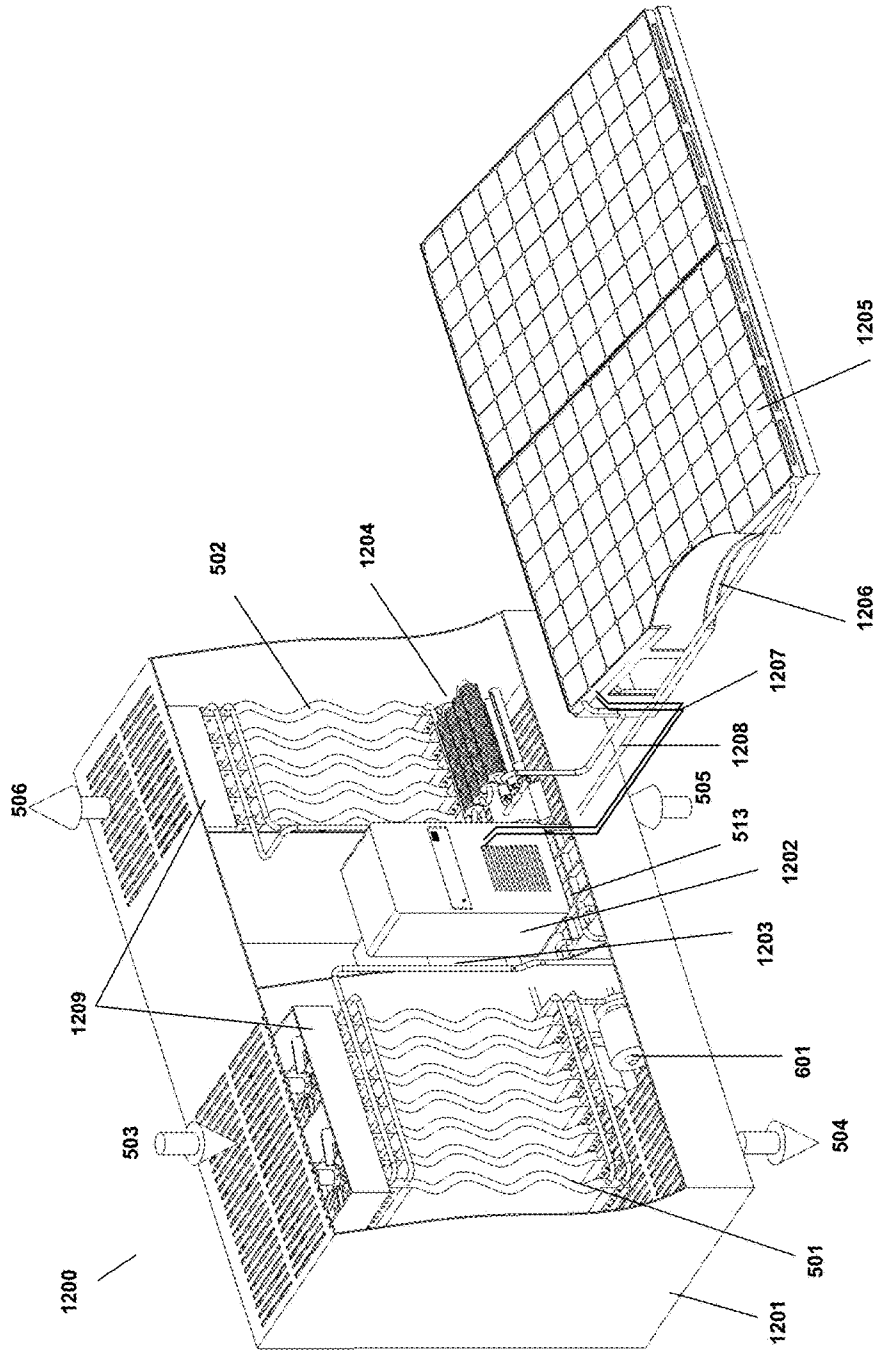


FIG. 12

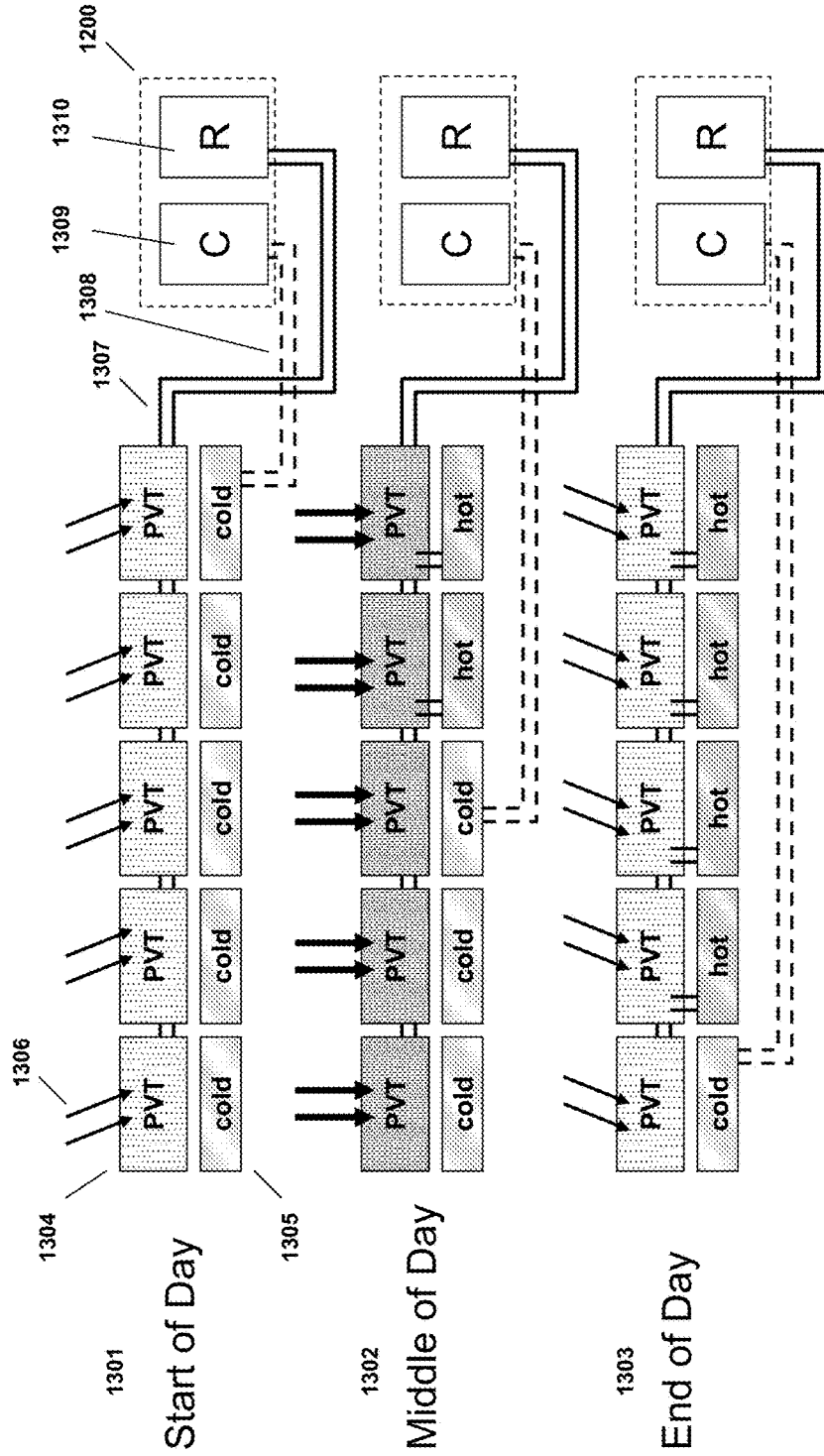


FIG. 13A

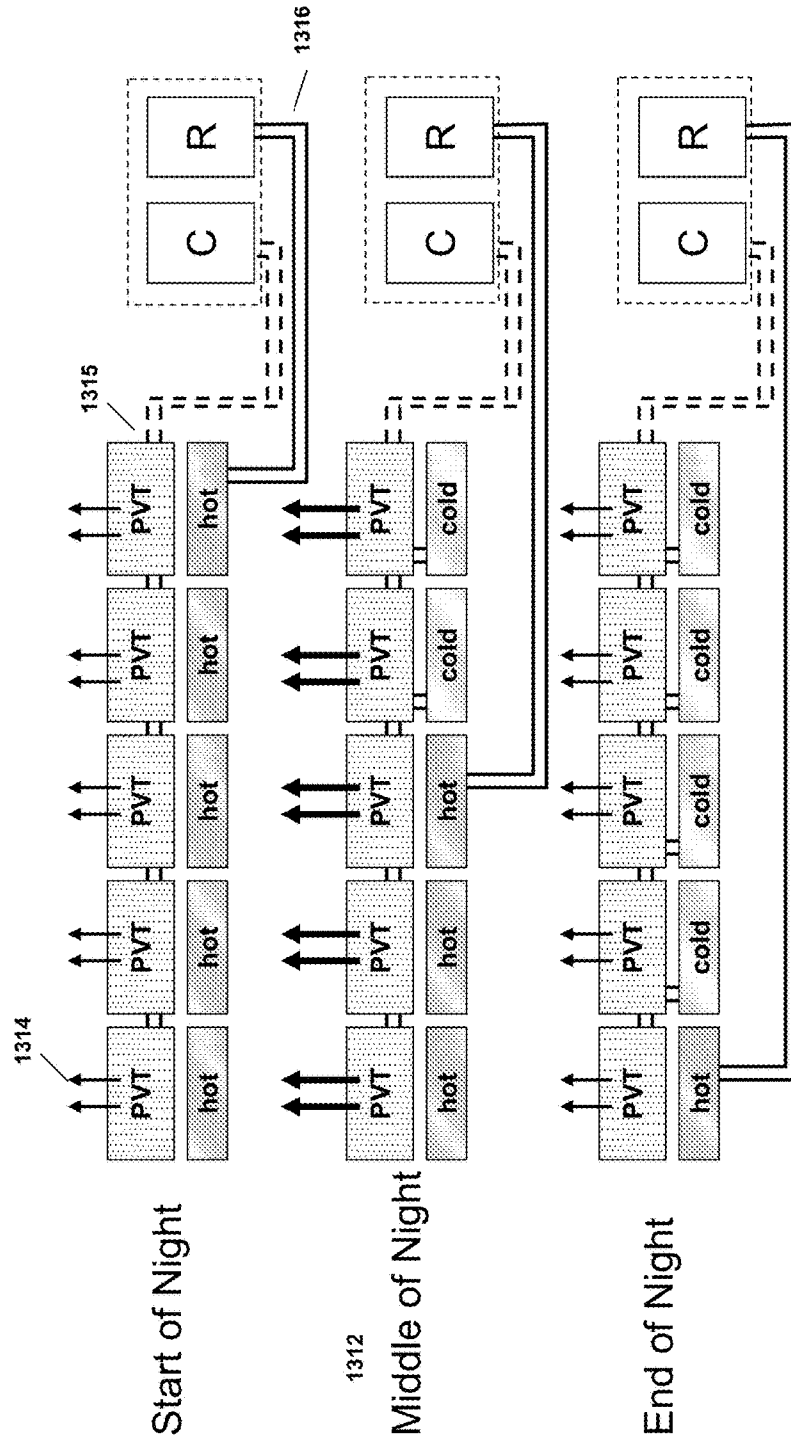


FIG. 13B

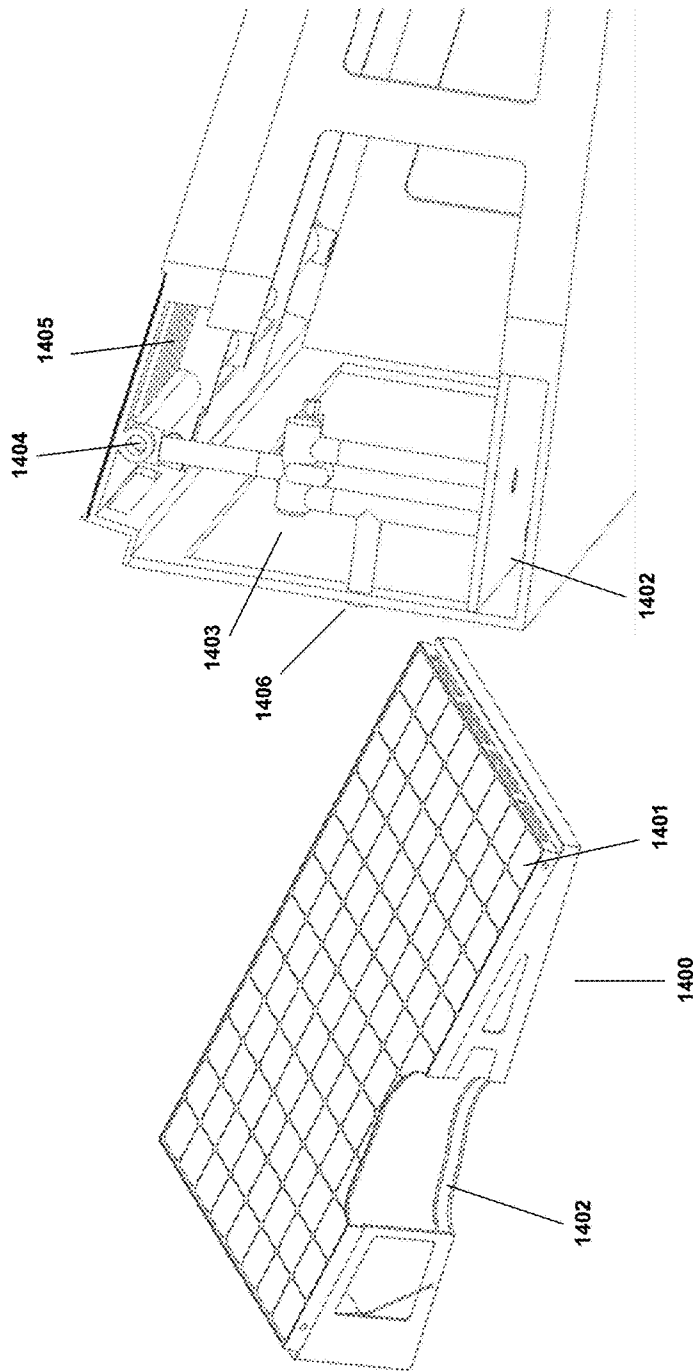


FIG. 14B

FIG. 14A

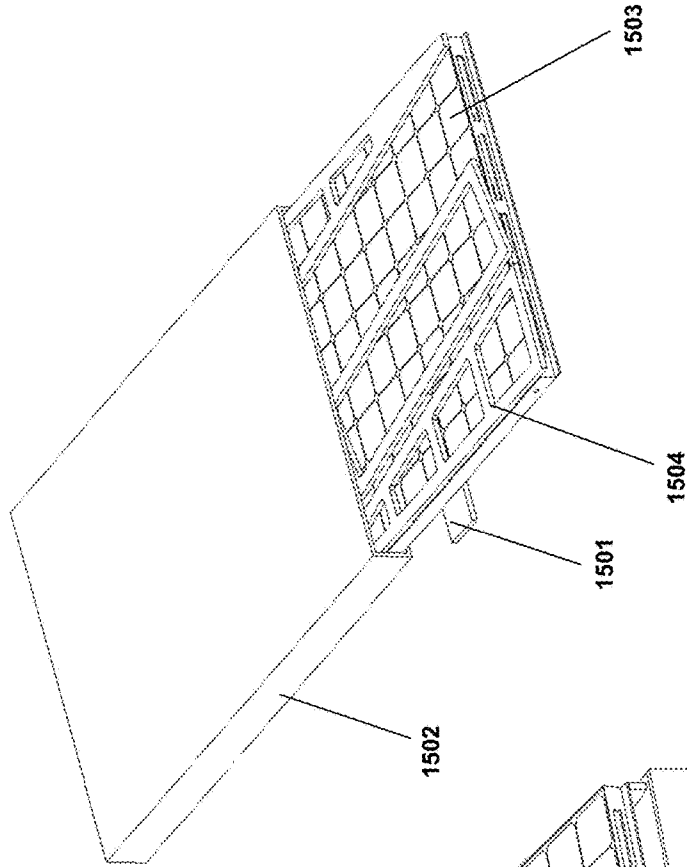


FIG. 15B

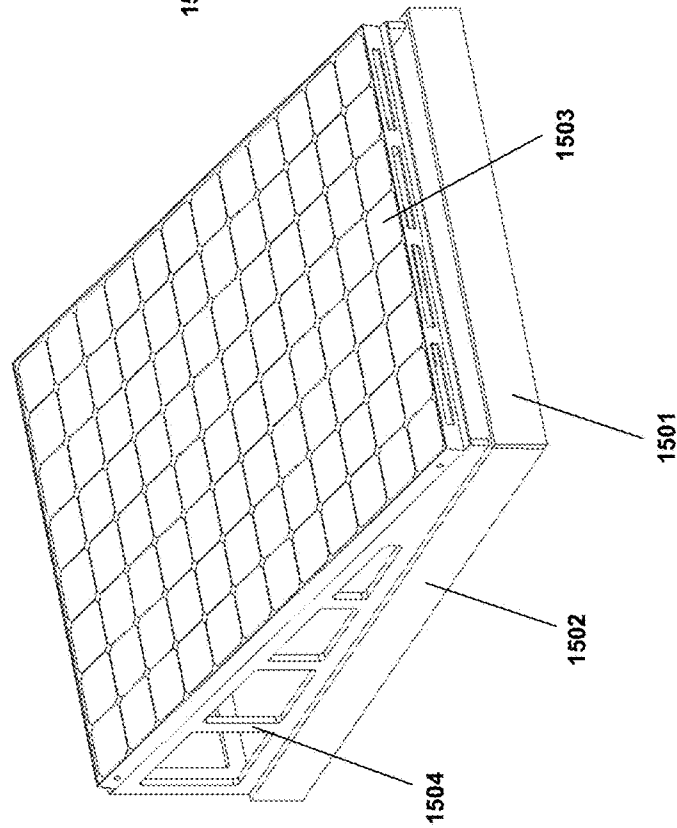


FIG. 15A

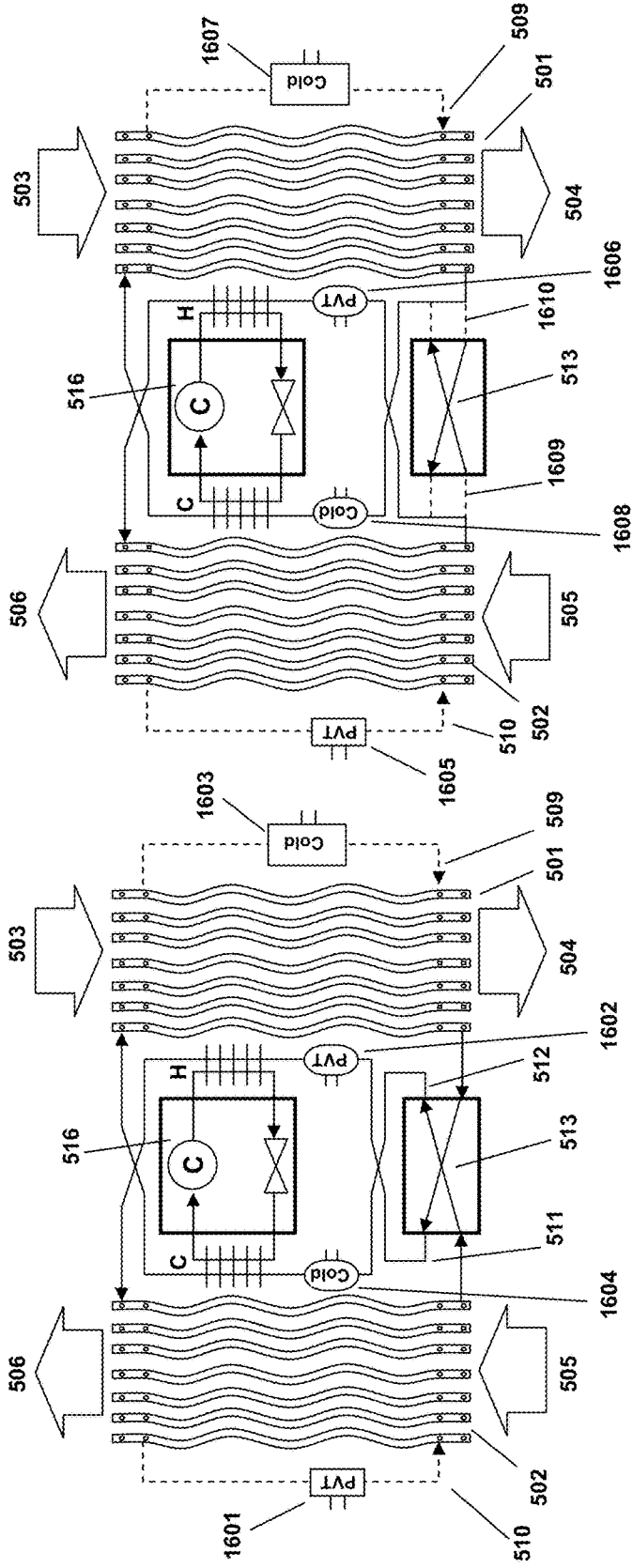


FIG. 16B

FIG. 16A

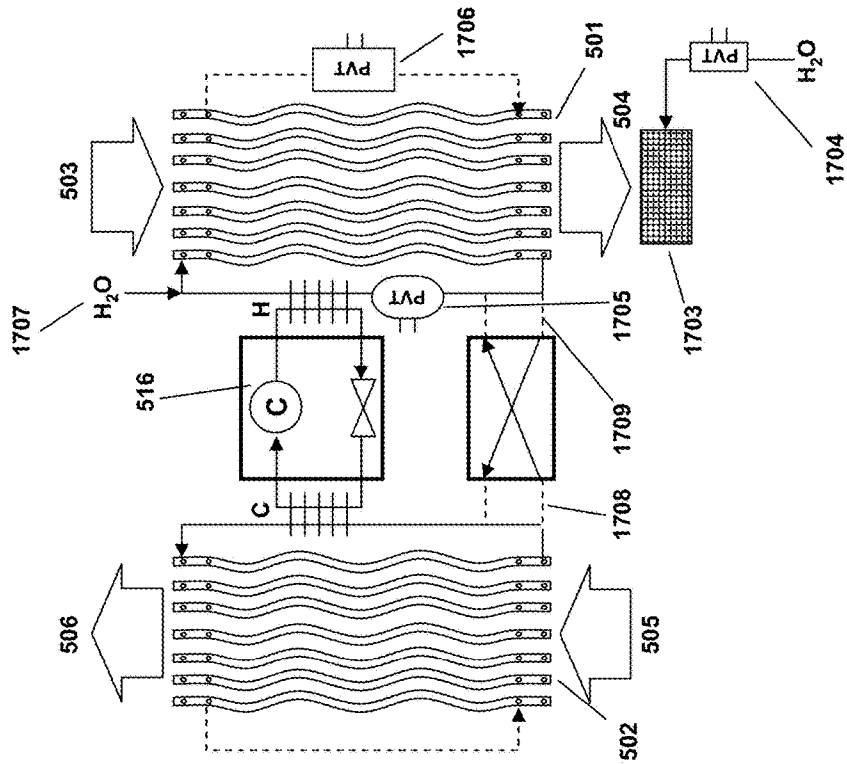


FIG. 17B

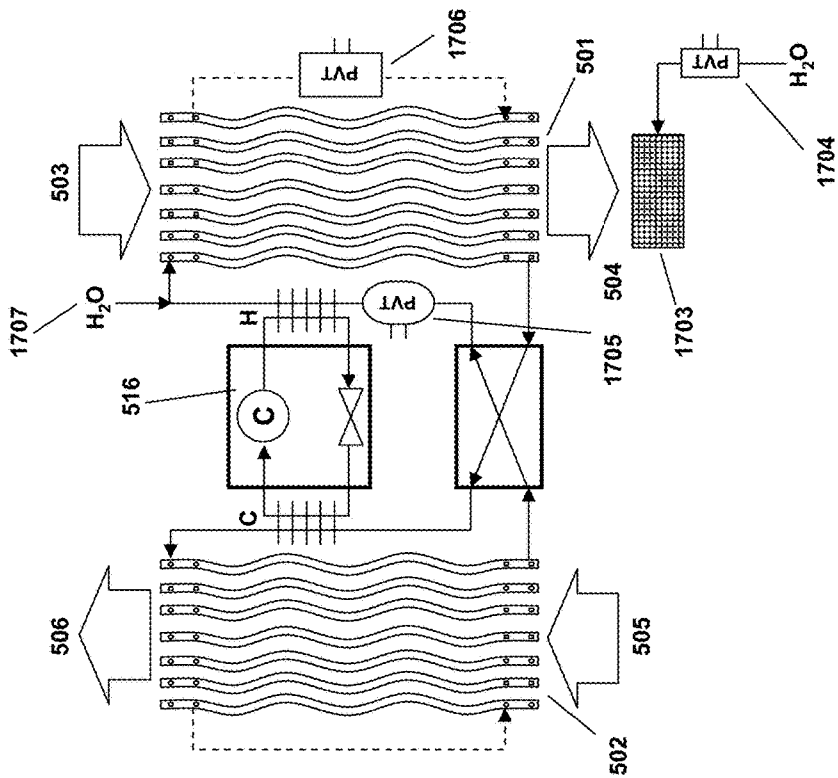


FIG. 17A

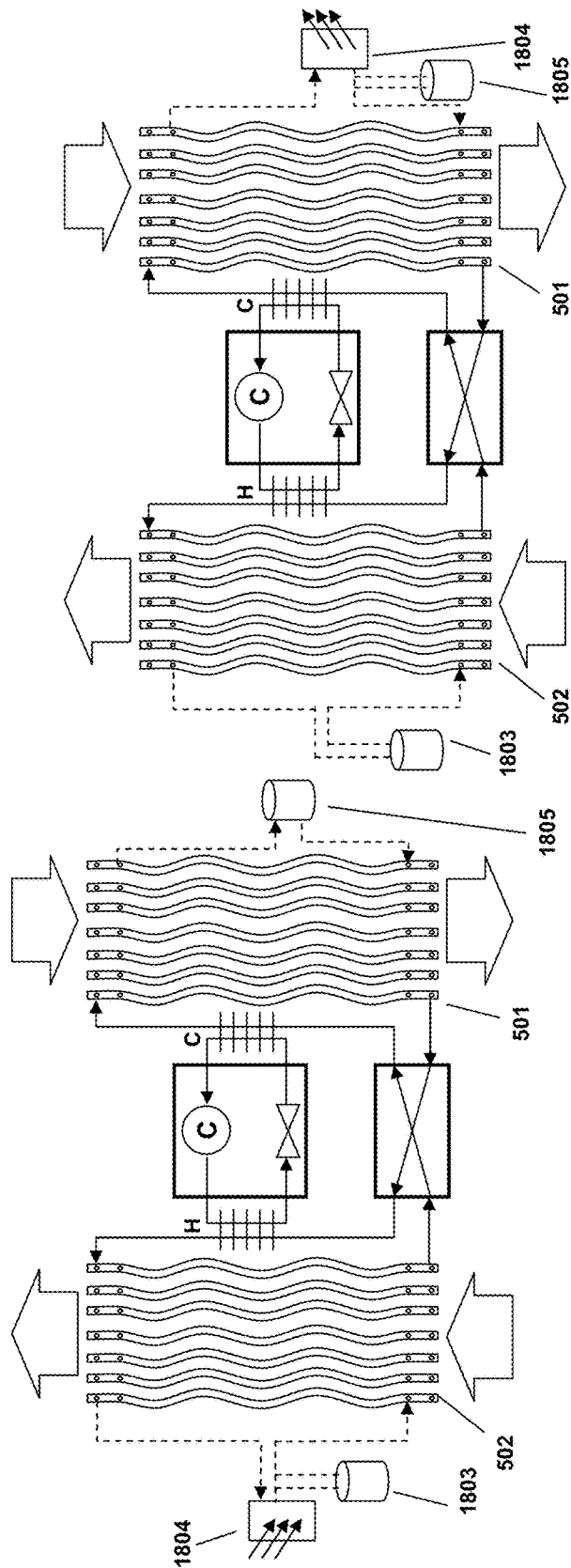


FIG. 18B

FIG. 18A

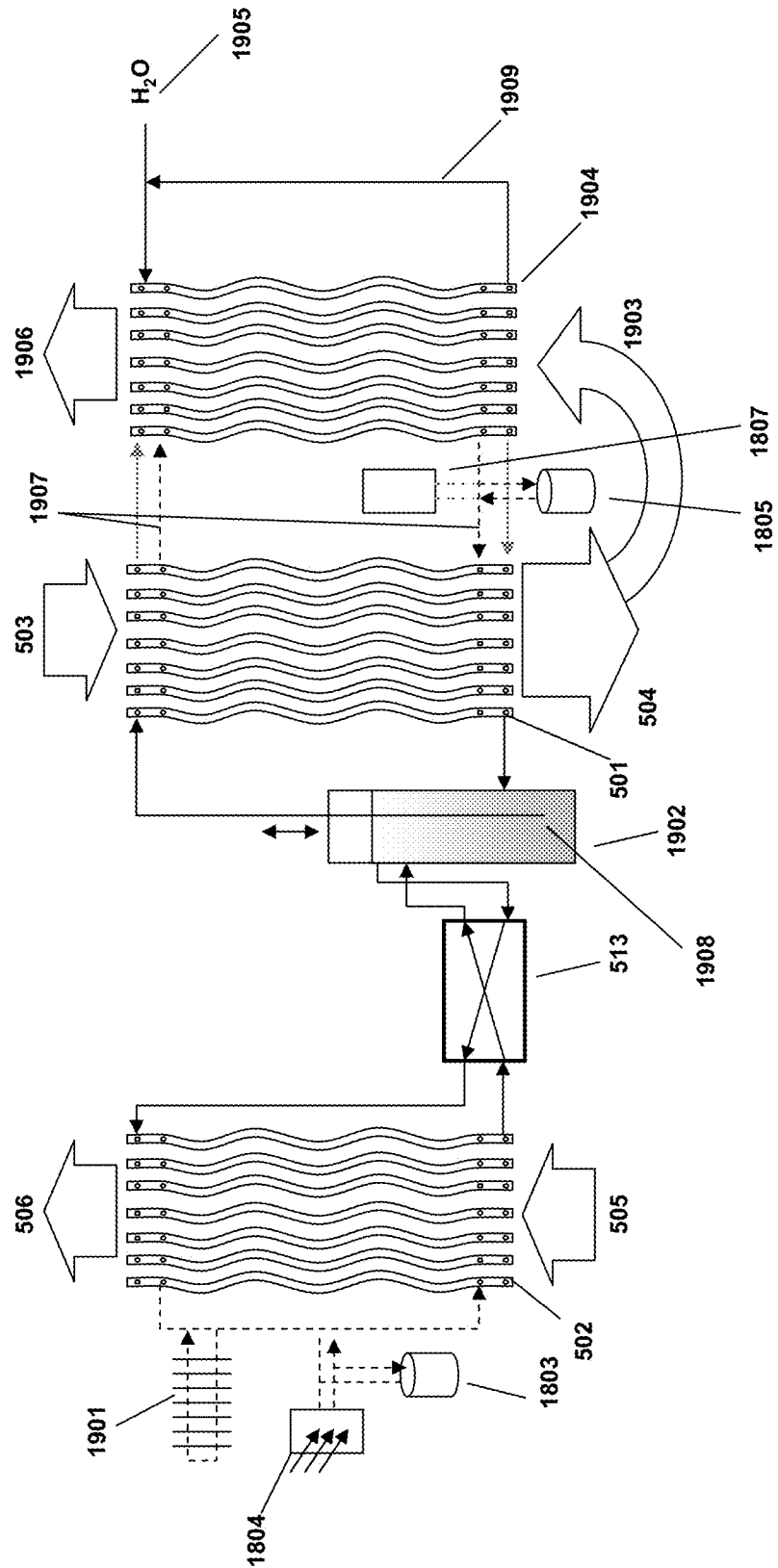


FIG. 19A

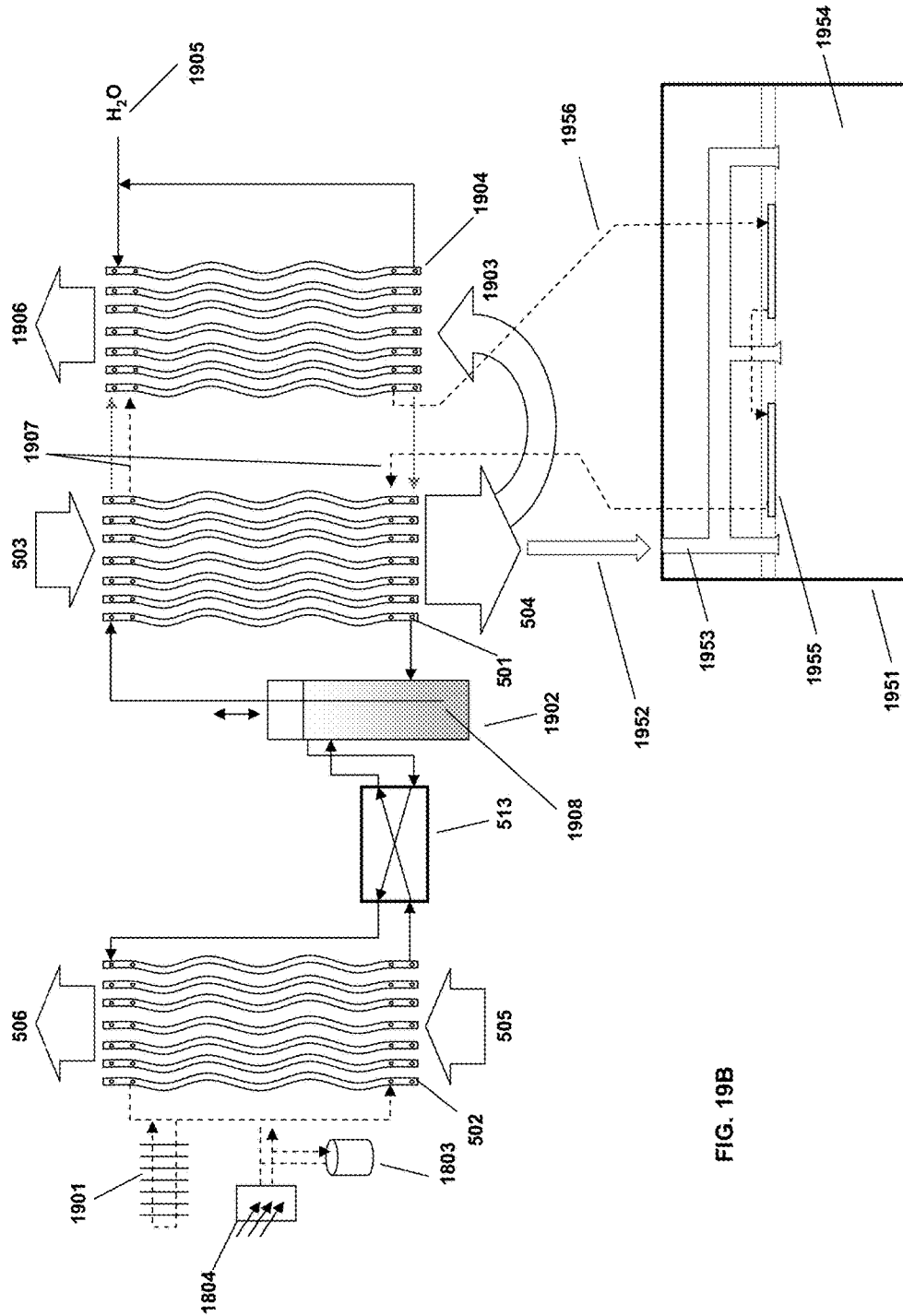


FIG. 19B

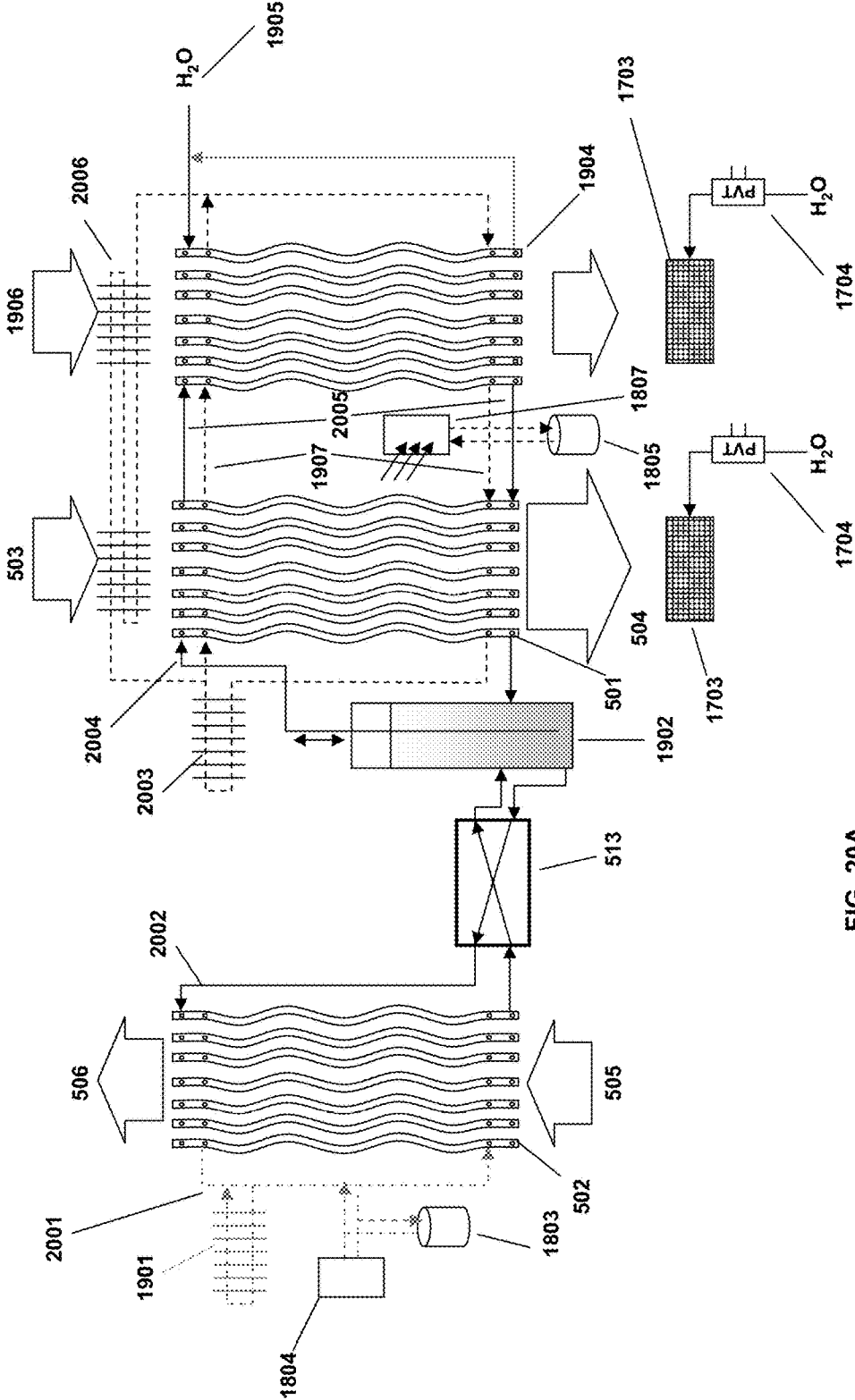


FIG. 20A

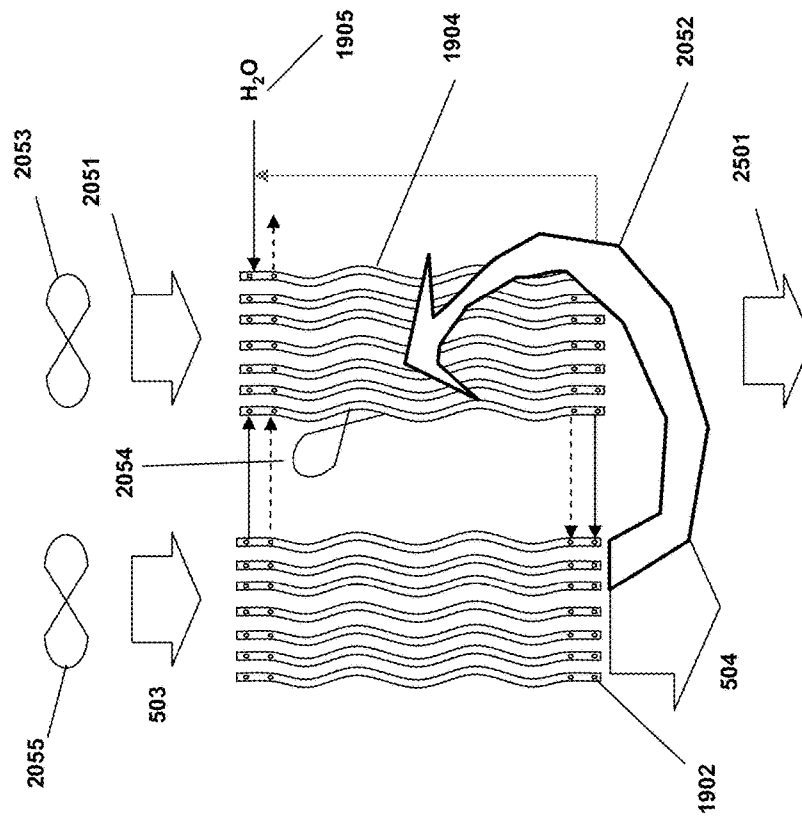
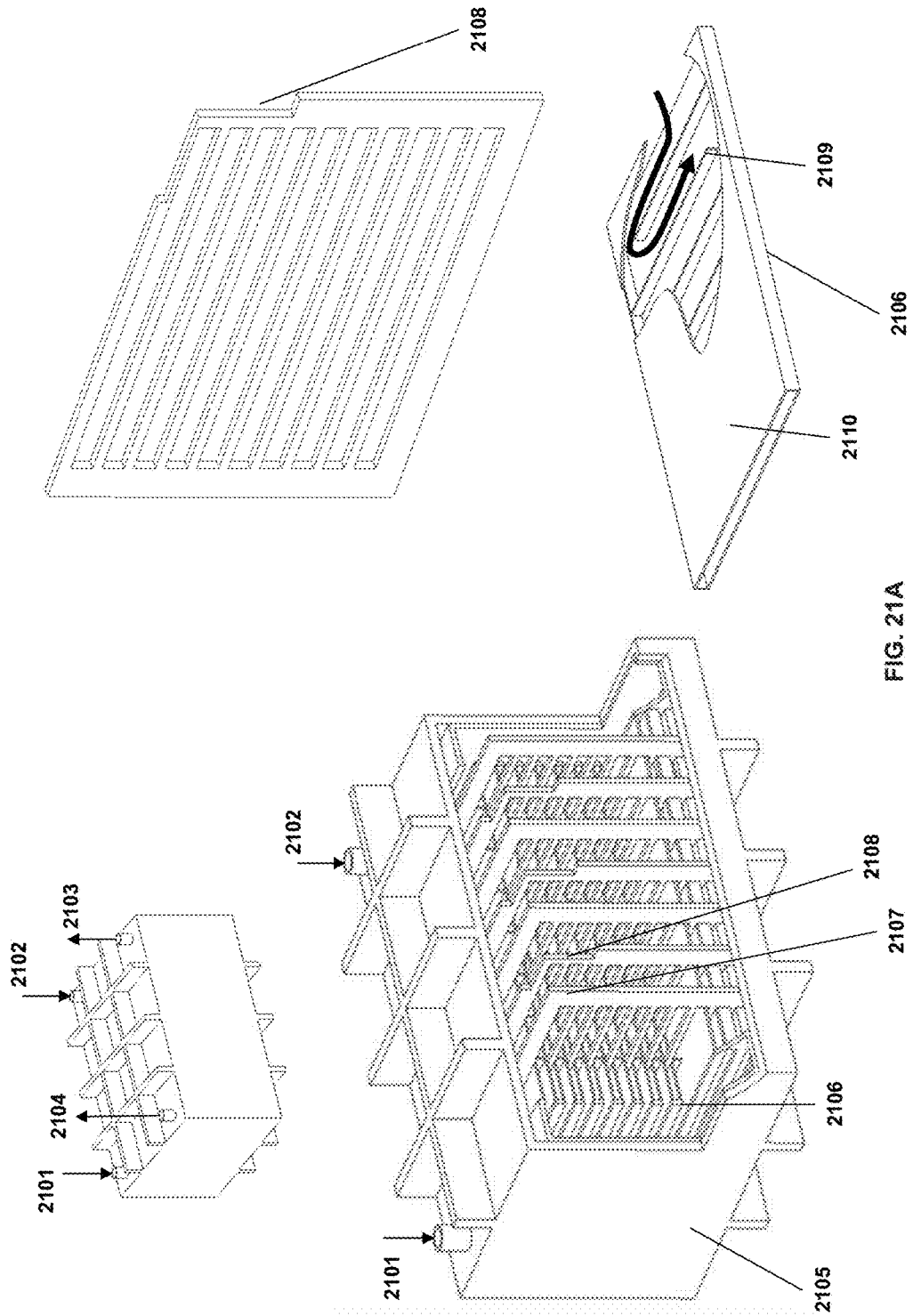
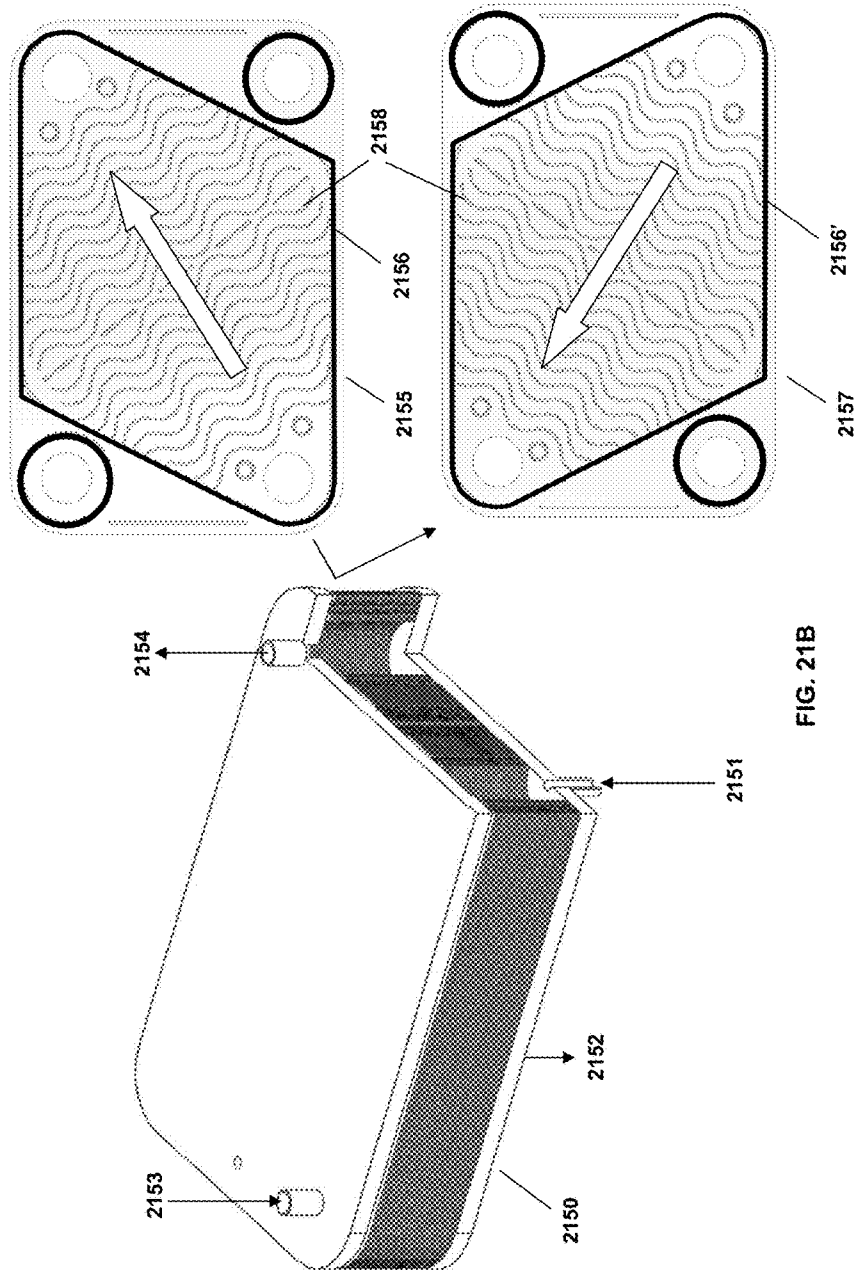


FIG. 20B





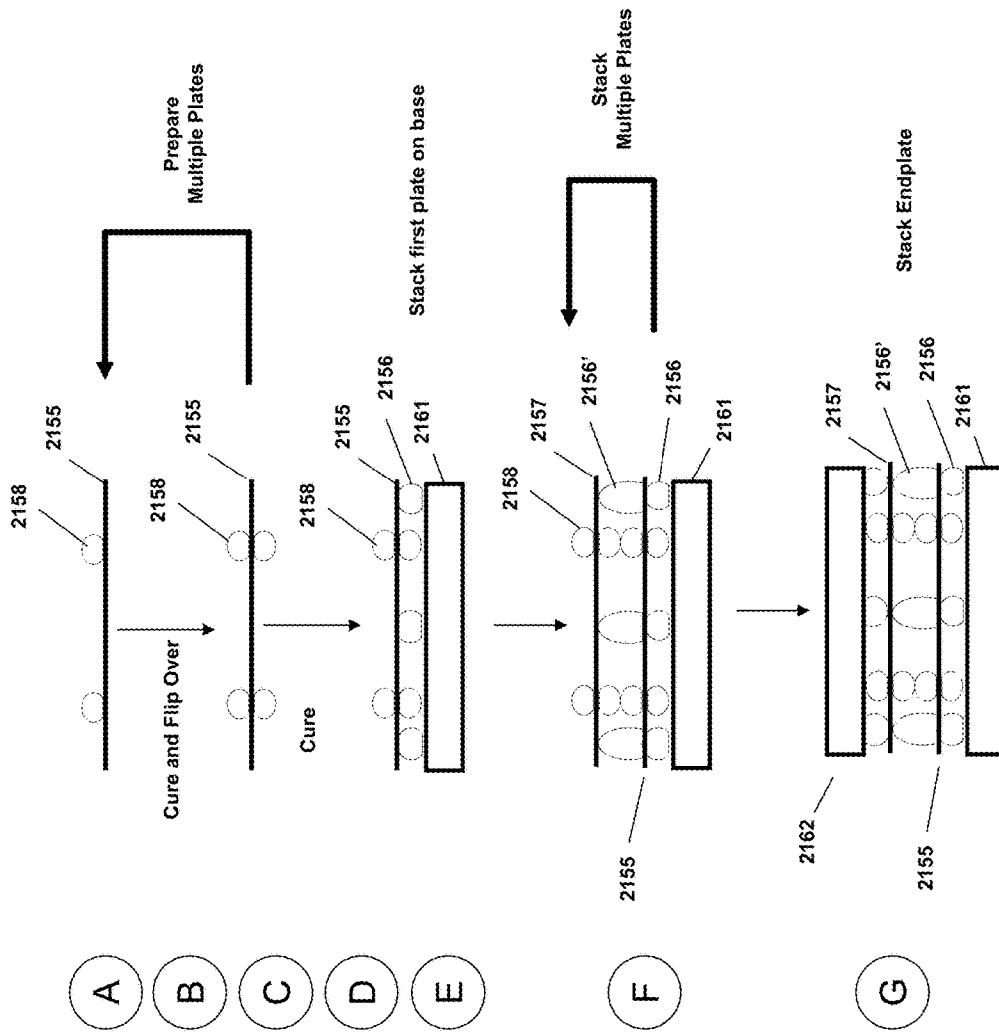


FIG. 21C

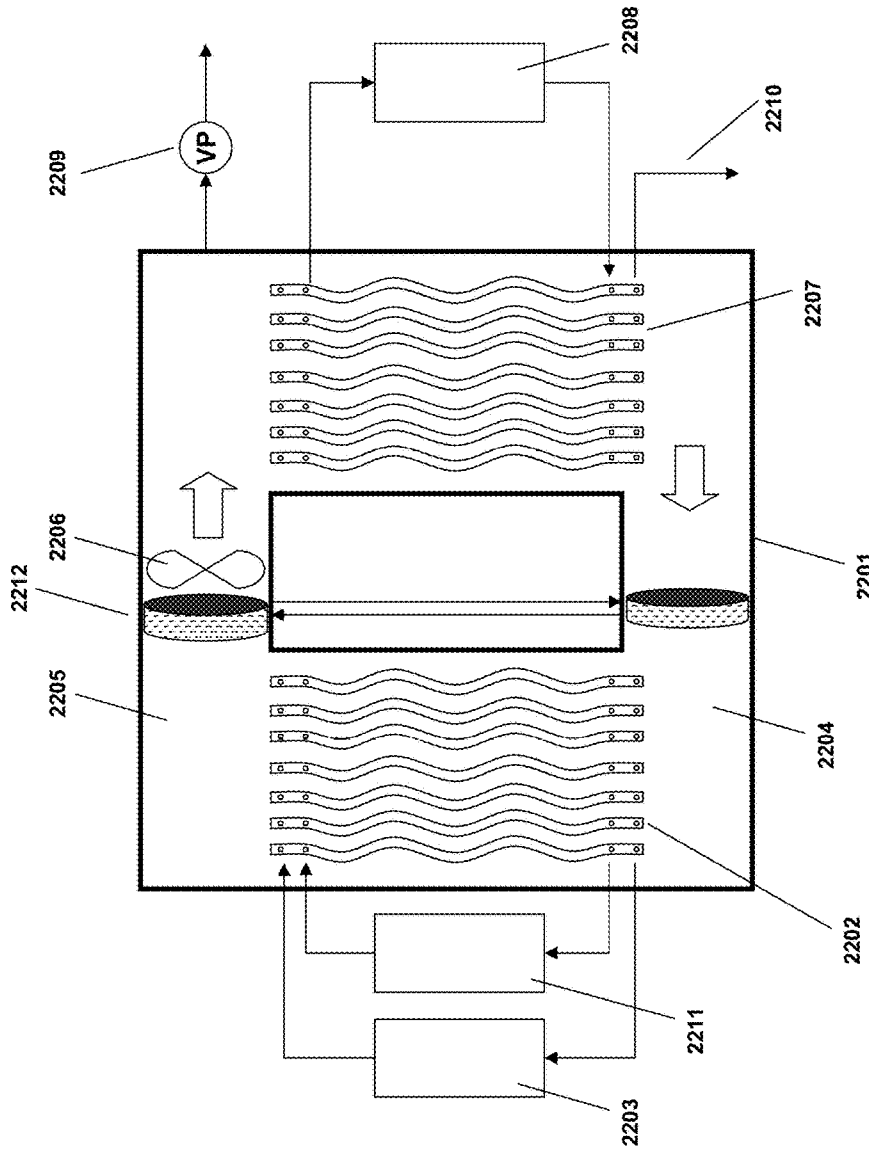


FIG. 22

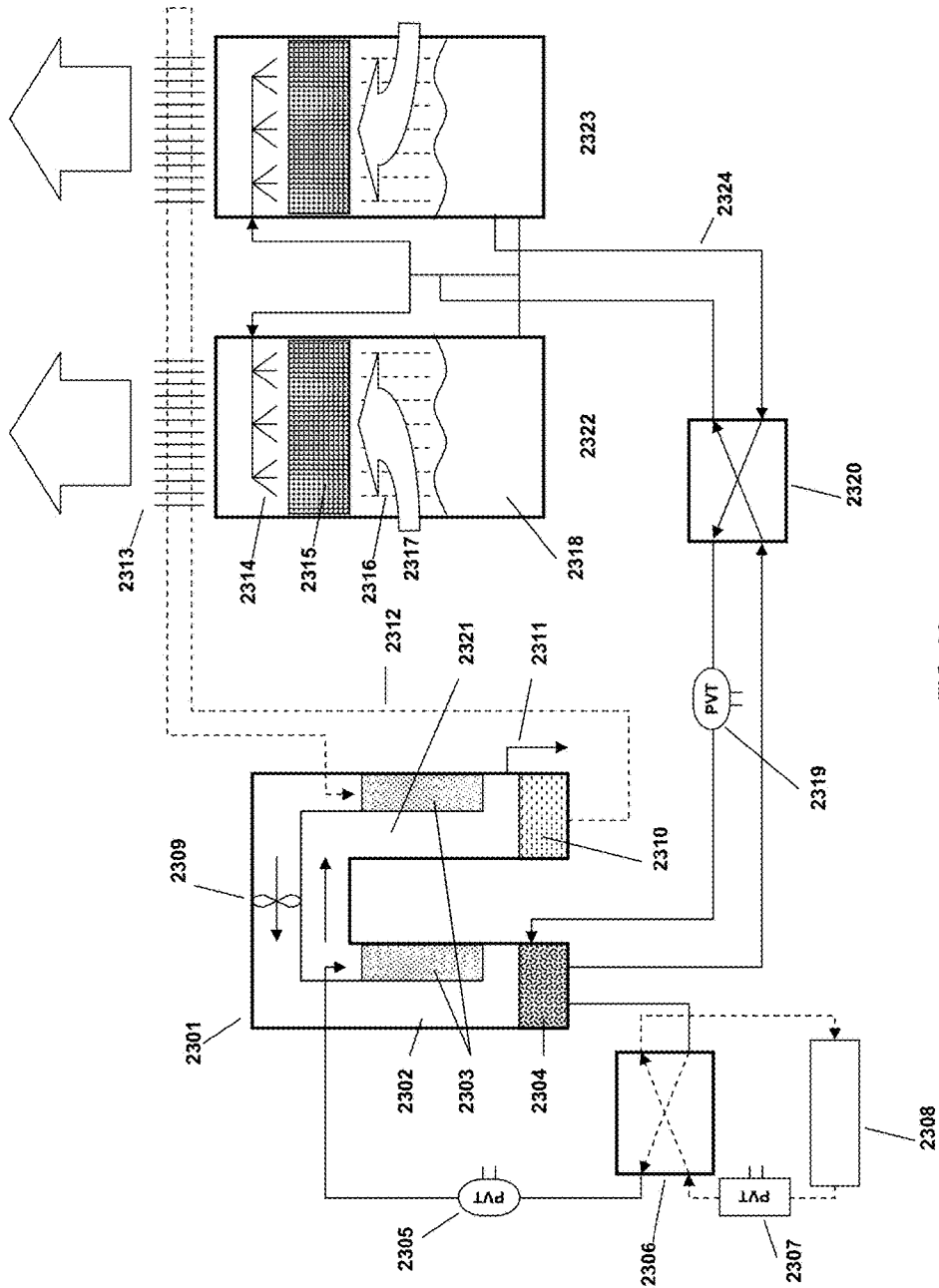


FIG. 23

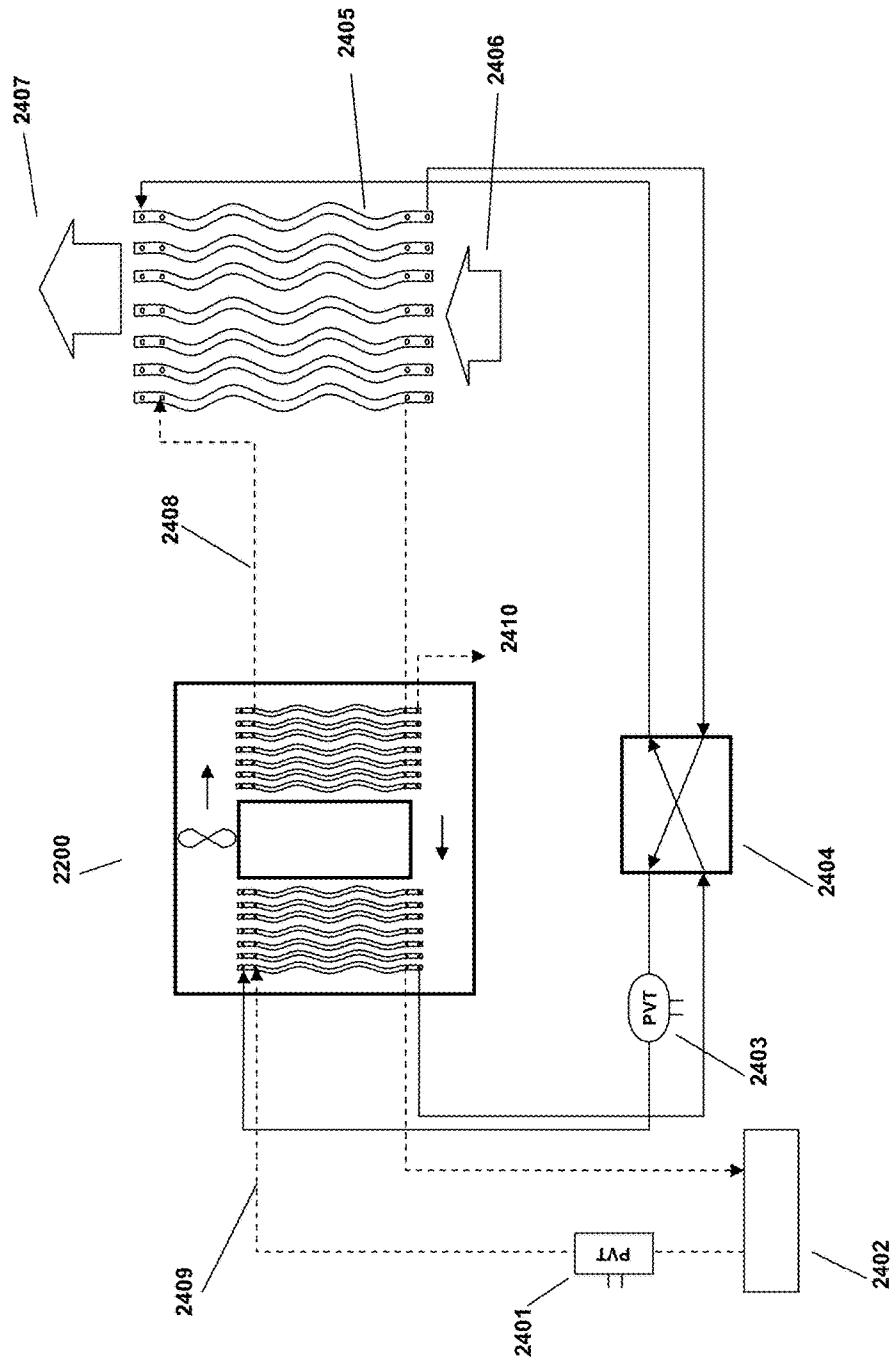


FIG. 24A

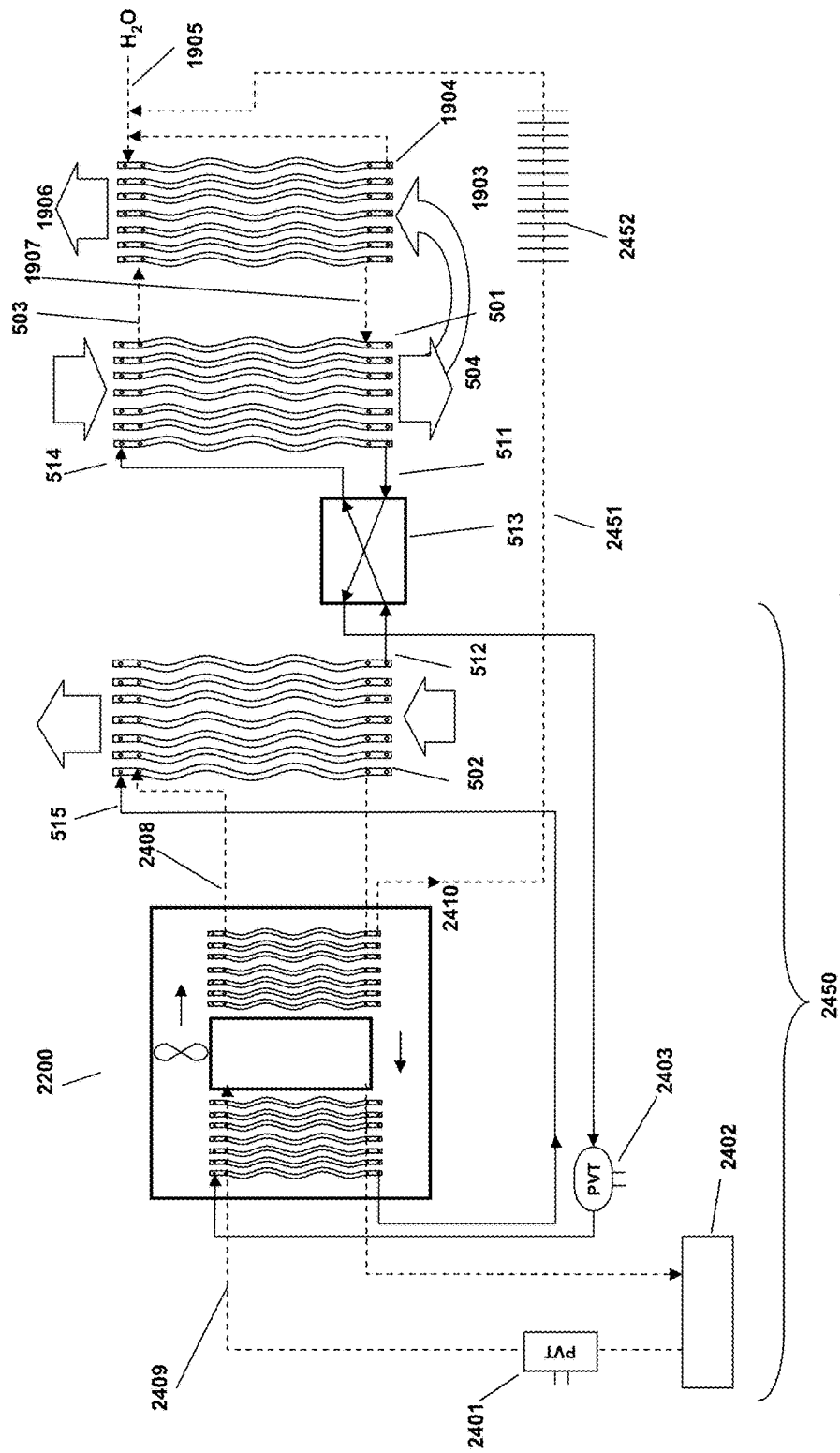


FIG. 24B

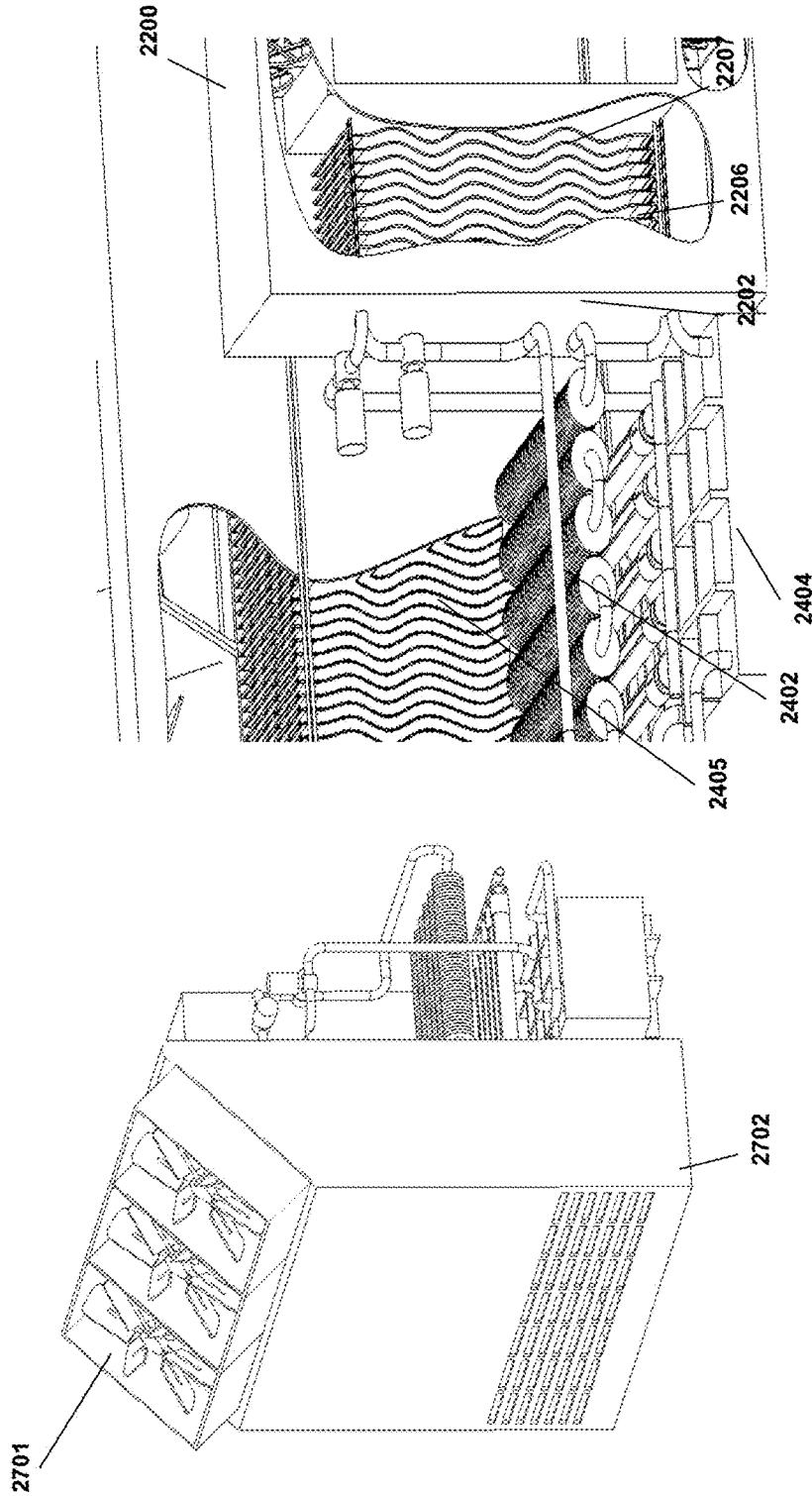


FIG. 27B

FIG. 27A

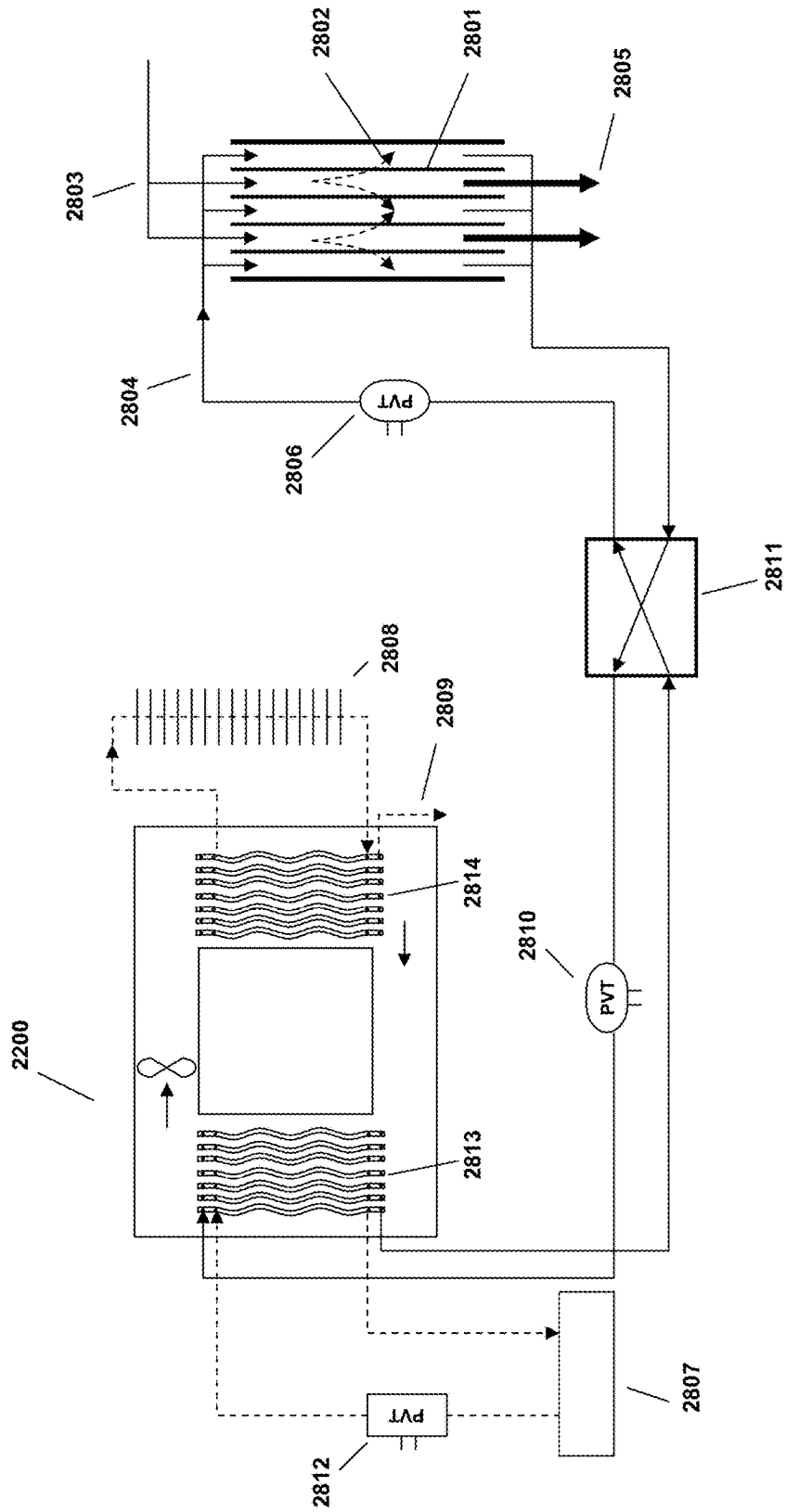


FIG. 28

METHODS AND SYSTEMS FOR DESICCANT AIR CONDITIONING

CROSS REFERENCE TO RELATED APPLICATIONS

This application is a division of U.S. patent application Ser. No. 13/115,745, filed on May 25, 2011, entitled METHODS AND SYSTEMS FOR DESICCANT AIR CONDITIONING, which claims priority from U.S. Provisional Patent Application Ser. No. 61/348,076, filed on May 25, 2010, entitled SOLAR AIR-CONDITIONING AND HEATING SYSTEMS, and U.S. Provisional Patent Application Ser. No. 61/430,692, filed on Jan. 7, 2011, entitled METHODS AND SYSTEMS FOR DESICCANT AIR CONDITIONING, all of which are hereby incorporated by reference.

BACKGROUND

The present application relates generally to air conditioning, capturing combustion contaminants, desalination, and other processes using liquid desiccants.

The term “air conditioning” generally refers to the treatment of air going into a building space, including to the heating, cooling, humidity adjustment, or purification of air that enters or leaves the space. It is well known that air conditioning is an enormous source of energy use and that summer cooling in particular can lead to electricity grid problems. Air conditioning is often the largest operating cost in a building.

Current air conditioning systems for cooling are generally based on the compression of a gas such as Freon and the expansion of the compressed gas through a valve assembly. However, in order to reach the required humidity levels of the entering air into a building, the air generally needs to be overcooled in order to condense water vapor into liquid water. This dehumidification (latent cooling) generally uses more energy in an air conditioning system than the physical lowering of the air temperature (sensible cooling). Oftentimes re-heaters are employed within an air conditioner requiring even larger amounts of energy.

Air conditioning for heating air is typically done by combustion of natural gas or some other fuel. The combustion often heats a heat transfer fluid that is then directed to a fan coil unit where the entering air is heated. In many buildings, such sensible only heating results in humidity levels that are too low for comfort. Oftentimes humidifiers are integrated with the heating system. Such humidification however results in the cooling of the air, which means that additional heating will have to be applied to counteract the cooling effect of the humidifier.

Solid desiccant systems have been used for many years primarily for summer cooling. However, the heating effect that occurs when air is dehumidified in an adiabatic fashion (no heat is added or removed) requires large amounts of sensible cooling post-dehumidification and as a result limits the energy savings that can be obtained.

Absorption chillers such as units manufactured by Yazaki Energy Systems typically utilize a low pressure vacuum vessel in which a desiccant material is contained (in Yazaki’s case LiBr₂ and water, but systems using Silica gel have also been developed). However, the use of low pressure vacuum systems significantly increases the cost and complexity of the equipment and increases the requirements for maintenance. Also, each transition (from air to a heat transfer fluid to the desiccant) utilizes heat exchangers, fans, and pumps

and thus results in higher costs. And importantly, such transitions result in larger temperature requirements since each transition is not perfectly efficient. As a result, absorption chillers require higher temperatures to operate making them less suitable for integration with systems that employ waste heat or low grade heat.

More recently systems have been introduced that employ other methods for dehumidification of the air. Liquid desiccant systems such as the systems manufactured by DuCool and Agam use a strong desiccant material such as a CaCl₂ and water or LiCl₂ and water solution to absorb water vapor in the air. The liquid desiccant is directly exposed to the air unlike the previously discussed absorption chillers that do not have air to desiccant direct contact. After the desiccant absorbs moisture from the air stream, it is heated to release the excess water. In winter, such desiccants can be used to recover heat and moisture from the leaving air and transfer it to the incoming air.

Liquid desiccant systems however have traditionally suffered from the risk of desiccant carry-over into the air stream resulting in sometimes severe corrosion problems in the building since the desiccants that are used are typically strongly corrosive to metals.

Furthermore, liquid desiccant systems are typically spraying a liquid desiccant on a filter media to increase the surface area of desiccant exposed to the air. The spraying increases the risk of desiccant carryover into the air stream. Oftentimes additional mist eliminator filters are used to capture any airborne desiccant particles. However, these mist eliminators require frequent maintenance and replacement. Furthermore, the process of using a filter media is inherently energy inefficient. The filter media is an obstruction in the air flow and thus generally requires large fan power. Also, the filter media typically are thermally non-conductive which makes the dehumidification process adiabatic resulting in undesirable heating of the air. To counteract the heating effect, one can increase the flow rate of the desiccant and one can pre-cool the desiccant to achieve some level of sensible cooling at the dehumidification stage in the filter media. Increasing the flow rate of course increases the risk of desiccant carry over and requires more liquid pump power. The liquid desiccant typically “rains” down from the filter media into a liquid desiccant collection pan. This generally prevents the liquid desiccant system from using a vertical air flow and requires more costly duct work to be used during the installation of the system on a buildings roof, where air is typically handled vertically. Furthermore, the drain pans do not easily allow the system to be set up as a “split” system wherein the conditioner and regenerator are located in physically separate locations. In addition, the drain pans do not easily allow for the system to be expandable: one has to increase the size of the pan—which means a new design, rather than adding capacity through a scalable design.

AIL Research has developed a low flow desiccant system that overcomes some of the objections mentioned above. The use of a heat transfer fluid in-situ to where the desiccant is dehumidifying the air results in better thermal performance and lower fan and pump power. However this approach still utilizes a horizontal air flow—which makes it much harder to integrate to a rooftop installation—and a very complex conditioner design that has a desiccant drain pan at the bottom, but does not allow for a counter flow between the air and the liquids. This system also still has the risk of desiccant carryover since the desiccant is still directly exposed to the air flow.

The source of heat and the required temperature for regeneration of the desiccant is also an important consider-

ation in the design of a solar air conditioning system. It should be clear that the lower the regeneration temperature of the desiccant is, the easier it should be to find a source of such (waste) heat. Higher regeneration temperatures necessitate higher quality (temperature) heat sources and thus are less easily available. At worst, the system has to be powered by a non-waste heat source such as a hot water furnace. Yazaki absorption units have been powered by evacuated tube solar thermal modules that are able to generate heat as high as 100° C. Concentrated solar thermal modules are able to achieve even higher temperatures, but oftentimes do so at higher costs. Glazed flat plate solar thermal collectors typically operate at somewhat lower temperatures of 70-80° C., but also lose a significant portion of their efficiency at higher temperature, which means that the array size needs to be increased to generate adequate power. Unglazed flat plate solar thermal collectors have higher efficiencies at lower temperatures, but generally lose a lot of their efficiency at high temperatures and are usually not able to achieve temperatures higher than 60° C., making them unsuitable for integration with absorption chillers.

None of the solar heat sources mentioned above (concentrated solar thermal, evacuated tube collectors and glazed and unglazed flat plate collectors) generates electricity at the same time as generating heat. However, all air conditioning systems still require electricity for fans and liquid pumps. Electricity is oftentimes much more expensive per unit of energy than fuels used for heat. It is therefore desirable to have an energy source that can provide heat as well as electricity.

It is known that solar Photo-Voltaic Modules (PV modules) heat up significantly in direct sun exposure with temperatures approaching 70-80° C. Such temperatures have a deteriorating effect on the performance of the module since module performance degrades with an increase in temperature. Applying a thermal transfer fluid to the back of the PV module (a module known as a PVT (PV-Thermal) module) effectively draws the heat from the module, lowering its temperature and increasing its efficiency. The thermal transfer fluid (typically water or water and propylene or ethylene glycol) can reach temperatures and thermal efficiencies typically between those of a glazed and an unglazed solar thermal module.

From a cost perspective, solar thermal systems augmented with conventional PV modules are less cost effective than PVT modules and take up more space than PVT modules. However, PVT modules generally supply lower temperatures and efficiencies than pure solar thermal systems. But beneficially they generate more electricity than conventional PV modules.

BRIEF SUMMARY

As discussed in further detail below, various embodiments disclosed herein are directed to methods and systems for air conditioning, capturing combustion contaminants, desalination, and other processes using liquid desiccants.

In accordance with one or more embodiments, solar Photo Voltaic-Thermal (PVT) modules are connected to a desiccant air conditioning system to heat desiccants. The PVT modules can be connected in various arrangements for summer cooling and winter heating. The air conditioning system can include both horizontal and vertical air flow desiccant systems, including spray-head desiccant systems.

In accordance with one or more embodiments, the PVT modules can be used to provide cold water for a desiccant system for summer cooling.

In accordance with one or more embodiments, the PVT modules can be used to provide heat for water going to a humidifier of air in a desiccant air conditioning system.

In accordance with one or more embodiments, the air conditioning systems can include a set of hollow plate structures used to expose desiccant to an air flow. In accordance with one or more embodiments, the plate structures have a wavy shape aspect to them. The hollow wavy plate structures are constructed in such a way that the surface tension of the liquid desiccant is used to draw the liquid desiccant into a drain channel. In accordance with one or more further embodiments, a sheet material such as a membrane or wetting material can be arranged on the wavy plates to guide a liquid desiccant into the drain channel. A membrane can be a micro-porous membrane with pores ranging in size from typically from 0.01 μm to 1 μm. An example of such a membrane is a membrane made by Celgard of Charlotte, N.C., and a division of Polypore Corporation, under the type designation EZ2090.

In accordance with one or more embodiments a membrane is a micro-porous membrane backed by a material intended to evenly distribute a liquid. In embodiments a membrane is a hydrophobic microporous membrane. In embodiments the backing material is a hydrophilic material such as a wicking material. An example of such a wicking material is the interfacing material made by the Pellon Company of New York, N.Y.

In accordance with one or more embodiments, the wavy plate structures are arranged in the air conditioning system such that the liquid desiccant is exposed to a vertical air flow without substantially obstructing the air flow.

In accordance with one or more embodiments, multiple sets of wavy plate structures can be arranged into a stack that has a scalable nature wherein the drying or wetting capacity of the desiccant can easily be expanded by simply adding additional wavy plates.

In accordance with one or more embodiments, a membrane desiccant system is provided for an air conditioning system using counter-flows of liquids and air in a vertical air flow system.

In accordance with one or more embodiments, a membrane desiccant system is provided wherein a membrane or other hydrophobic material is bonded to a wetting or other hydrophilic material in such a way as to provide proper distribution of a liquid behind the membrane. In embodiments to a double layer is bonded to a (thermally conductive) hydrophobic structure such as a plastic cooling channel or support plate.

In accordance with one or more embodiments, the plate construction allows for spreading a liquid desiccant at the top of a plate and for collecting such desiccant at the bottom of the plate.

In accordance with one or more embodiments, the air flow going to a vertical air flow desiccant set of wavy plates is preheated, and the air leaving a set of plate structures is post-cooled.

In accordance with one or more embodiments, plate structures are constructed and assembled in such a way that the plates can thermally conduct heat, but are still corrosion resistant by employing a thermally conductive plastic material. In embodiments such a plastic has a thermal conductance of about 5 to 10 W/mK. As an example thermal conductances for regular plastics range from 0.1 to 0.5 W/mK, whereas Copper, Aluminum, Stainless Steel and Titanium have a conductance of about 400, 250, 16 and 18 W/mK respectively. Of these materials only Titanium is

reasonably suitable for use with desiccants such as CaCl_2 or LiCl_2 due to the corrosive nature of the desiccants.

In accordance with one or more embodiments, plate structures are assembled using a header that can be stacked vertically as well as horizontally in such a way that the wavy plates can be stacked parallel to each other as well as on top of each other.

In accordance with one or more embodiments, plate structures are assembled in such a way that a membrane is mounted on each plate to guide liquid desiccant to a header at the bottom of the wavy plate.

In accordance with one or more embodiments, the air inlet to the plate structures is disturbed by a mesh or set of disturbance plates in such a way as to create turbulent air movement in the air entering the wavy plates.

In accordance with one or more embodiments, a solar inverter is integrated an air conditioning system in such a way that the electrical connections to the air conditioning system provide the electrical connection to the building for a set of solar modules. In some embodiments, the air conditioning unit is a desiccant air conditioning system. In some embodiments, the desiccant air conditioning system uses vertical air flows. In some embodiments, the solar modules are PVT modules.

In accordance with one or more embodiments, a liquid desiccant vertical air flow system utilizes a chiller as a source of cold water and a gas water heater as a source for warm water, wherein the gas water heater is supplemented by the heat generated by solar modules.

In accordance with one or more embodiments, a PVT module provides electrical power and heat to a desiccant air conditioning system and provides heat to a water storage tank. The hot water can gradually be stored in tanks underneath the PVT modules, and the electrical power can be used to operate the air conditioning system. Any excess electrical power can be provided to other devices.

In accordance with one or more embodiments, PVT modules are set up in such a way as to radiate heat during the night, and thus provide cooling of water. Such cooled water can be stored in water storage tanks so that it can be made available during the day for the cold side of a desiccant air conditioning system. In some embodiments, such cold water can also be generated at night using an evaporative chiller in combination with the PVT modules.

In accordance with one or more embodiments, a PVT module generates hot water that is regulated by a thermostatic switch so as to enter a tank or flow directly to a manifold. In some embodiments, the thermostatic switch is driven by the temperature of the hot water. In some embodiments, the switch is operated by remote control.

In accordance with one or more embodiments, water is stored in a tank underneath a PVT module in such a way that the tank provides adequate evenly distributed weight to function as a ballast and support system for the PVT module. In some embodiments, the tank has a removable lid. In some embodiments, the tank can furthermore function as a shipping container for the module.

In one or more embodiments, PVT modules are connected to a plate structure desiccant system. In some embodiments, the wavy plate system is set up to provide cool air to a building. In some embodiments, the wavy plate system is set up to provide warm moist air to a building space.

In accordance with one or more embodiments, PVT modules are connected so that they preheat water that is destined to go into a humidifier for air destined for a building space.

In accordance with one or more embodiments, a desiccant is separated into various layers in a vessel wherein the concentration of the desiccant varies along the height of a vessel. In some embodiments, the vessel is used to provide and collect desiccant to a desiccant air conditioning system. In some embodiments, at least one of the outlets of the vessel is adjustable so that different layers with different desiccant concentrations can be selectively drawn from the vessel.

In accordance with one or more embodiments, a portion of an air flow treated by a plate conditioner in such a way that the humidity is reduced is diverted to an additional set of plates that provides cooling of the air through evaporation of water vapor. In some embodiments, such a system uses membranes on the surface of the plates. In some embodiments, the air flow across the second set of plates can be reversed and the water for evaporation replaced by a desiccant in such a way that during winter operation, it provides additional heating capacity of the air entering the building.

In accordance with one or more embodiments, a set of plate structures provides an evaporative cooling effect and the so produced chilled liquid is directed to both a conditioner as well as one or more liquid to air heat exchangers. In embodiments such liquid to air heat exchangers are ceiling panels. In embodiments such liquid to air heat exchangers are fan coils. In embodiments such fan coils are located inside ductwork. In embodiments such liquid to air heat exchangers are located underneath a floor.

In accordance with one or more embodiments, a series of holes is provided at the top of the membrane to inhibit vacuum lock and allow for easy draining of desiccant from behind the membrane covering a plate structure.

In accordance with one or more embodiments, a plate structure is constructed in such a way as to provide alternating access to water and liquid desiccant on the surface of the plates by providing holes on an asymmetrical pattern.

In accordance with one or more embodiments, a heat exchanger is constructed using thermally conductive plastic plates to provide heat transfer between corrosive fluids. In some embodiments, such a plate heat exchanger uses horizontal and vertical counter flows. In some embodiments, the thermally conductive plates are formed in such a way as to have ridges and features that promote heat exchange and are constructed so that they can be stacked and sealed. In some embodiments, the thermally conductive plastic plates are not formed, but rather a gluing material is used to create and attach ridges on the top and/or on the bottom of the plastic plates. In some embodiments, the gluing material is also used to provide a seal to the liquids in between the plates. In embodiments the glue ridges are shaped in such a way that the ridges on the lower plate are supporting the ridges on the top of the upper plate, while the seal glue spans the entire gap between the two plates. In embodiments, the glue material is Marine 5200, made by 3M Corporation of St. Paul, Minn.

In accordance with one or more embodiments, a first set of plate structures is contained in a hermetically sealed container and wherein a second set of plates is contained on the opposite side of the container. The first set of plates contains an optional membrane over its surface or a wetting material. The first set of plates receives a diluted desiccant from a desiccant source. The first set of plates also receives a heated heat transfer fluid from a source. A fan provides air movement inside the hermetically sealed container in such a way that water vapor is taken from the first set of plates. The second set of plates is relatively cool compared to the air environment and the enclosure in such a way as to cause condensation of water on its surfaces. The water can be

withdrawn from the sealed enclosure. In some embodiments, the second set of plates is cooled by an external cold source.

In accordance with one or more embodiments, a set of plate structures with a liquid desiccant exposed to its surface collects moisture from an air stream and directs the diluted desiccant to a hermitically sealed container wherein the desiccant is regenerated and wherein the water vapor is recovered in the form of liquid water. In some embodiments, the heat for the system is provided by solar thermal modules. In some embodiments, the heat for the system is provided by PVT modules.

In accordance with one or more embodiments, a liquid desiccant is first regenerated in a hermitically sealed container and subsequently regenerated in an open array of plate structures. In some embodiments, the water recovered in the hermitically sealed container is diverted to a set of plate structures providing an evaporative cooling effect.

In accordance with one or more embodiments, fuel combustion takes place in such a way that the effluent gasses are directed through a set of plate structures having a liquid desiccant on its surfaces. The effluent gasses contain substances such as Carbon Dioxide, Water Vapor and contaminants such as SO_x and NO_x , which can be captured into the desiccant. In some embodiments, the desiccant is regenerated into a concentrated desiccant and liquid water. In some embodiments, the desiccant is filtered in such a way as to remove acidity created by the SO_x and NO_x and other gasses absorbed from the fuel combustion process.

In accordance with one or more embodiments, a desiccant draws water through a membrane from a water source such as seawater. The concentrated desiccant is diluted as a result of the transition of water through such membrane. The diluted desiccant is transported to a hermetically sealed enclosure wherein the desiccant is regenerated in such a way that concentrated desiccant and liquid water are produced. In some embodiments, the heat for regeneration is provided by solar thermal modules. In some embodiments, the heat for regeneration is provided by PVT modules.

Many construction variations can be envisioned to combine the various elements mentioned above each with its own advantages and disadvantages. The present invention in no way is limited to a particular set or combination of such elements.

BRIEF DESCRIPTION OF THE FIGURES

FIG. 1A illustrates a desiccant air handling system using a shower head design in accordance with the prior art.

FIG. 1B illustrates a desiccant air handling system using a plate design and horizontal air flow in accordance with the prior art.

FIG. 2A shows a desiccant air handling system set up for extreme summer operation with cold source and PV/Thermal module tie-in in accordance with one or more embodiments.

FIG. 2B shows a desiccant air handling system set up for non-extreme summer operation with cold source and PV/Thermal module tie-in in accordance with one or more embodiments.

FIG. 3A shows a desiccant air handling system set up for extreme winter operation with cold source and PV/Thermal module tie-in in accordance with one or more embodiments.

FIG. 3B shows a desiccant air handling system set up for non-extreme winter operation with cold source and PV/Thermal module tie-in in accordance with one or more embodiments.

FIG. 4 shows the integration between a building's existing air conditioning system, a desiccant air conditioning system and PVT modules in accordance with one or more embodiments.

FIG. 5 shows a desiccant system employing a vertical air flow in accordance with one or more embodiments.

FIG. 6A depicts a three-dimensional view of the system of FIG. 5 in accordance with one or more embodiments.

FIG. 6B depicts one or more turbulence plates that create air turbulence in the air entering a set of plate structures.

FIG. 7 shows the vertical air flow desiccant system with optional pre- and post air treatment coils and heat pump system in accordance with one or more embodiments.

FIG. 8 depicts details around the wavy plate structures in accordance with one or more embodiments.

FIG. 9 shows a possible construction for the wavy plate structures in accordance with one or more embodiments.

FIG. 10A shows an alternative method for wavy plate structure assembly, including the mounting of a membrane or wicking material in accordance with one or more embodiments.

FIG. 10B shows a cross section of two membranes with a hydrophilic wicking material sandwiched in between two hydrophobic membranes wherein the wicking material spreads a liquid uniformly between the two membranes in accordance with one or more embodiments.

FIG. 10C shows a cross section of a hydrophobic membrane, a hydrophilic wicking material and a (thermally conductive) support wall in accordance with one or more embodiments.

FIG. 10D shows a cross section of two membranes with two wicking materials and an internal (thermally conductive) support wall in accordance with one or more embodiments.

FIG. 10E shows a cross section of two membranes with two wicking materials and an internally hollow (thermally conductive) support wall in accordance with one or more embodiments.

FIG. 11A shows how the plate structures can be stacked into larger arrays and depicts construction details in accordance with one or more embodiments.

FIG. 11B illustrates desiccant system employing a horizontal air flow through two conditioners in accordance with one or more embodiments, wherein the air is treated twice by plates that are oriented at an angle to the air flow.

FIG. 11C shows a top view of the embodiment of FIG. 11B.

FIG. 11D shows the arrangement from FIG. 11B replicated twice in such a way as to treat the incoming air into a space and to recover energy from the returning air in a second set of conditioners in accordance with one or more embodiments.

FIG. 11E shows a desiccant membrane plate stack in the prior art that uses a portion of the dehumidified air for indirect evaporative cooling in accordance with one or more embodiments.

FIG. 11F illustrates a section of a desiccant membrane plate stack that uses a portion of the dehumidified air to provide indirect evaporative cooling in a controllable fashion.

FIG. 11G shows a close up cut away detail for the bottom of the plate stack in FIG. 11F.

FIG. 11H illustrates further details of some of the components shown in FIG. 11F.

FIGS. 11I and 11J show a three dimensional and top view, respectively, of an embodiment that uses a tube structure for exposing liquid desiccant to air streams while providing a

simultaneous heating or cooling functions in accordance with one or more embodiments.

FIGS. 11K and 11L illustrate a three dimensional and top view, respectively, of a hexagonal structure for exposing liquid desiccant to an air stream while providing heating or cooling functions in accordance with one or more embodiments.

FIG. 12 depicts a complete solar air conditioning system including a solar PV/Thermal array in accordance with one or more embodiments.

FIG. 13A demonstrates how storage and PVT modules can be used to create a hot/cold offset cycle for a desiccant air conditioning system during the day in accordance with one or more embodiments.

FIG. 13B demonstrates how storage and PVT modules can be used to create a hot/cold offset cycle for a desiccant air conditioning system during the night in accordance with one or more embodiments.

FIGS. 14A and 14B show a PV/Thermal module with integrated hot water storage/ballasting system in accordance with one or more embodiments.

FIGS. 15A and 15B show how the ballast tank and storage system can double as a shipping container for the PVT module in accordance with one or more embodiments.

FIGS. 16A and 16B demonstrate how PVT modules and cold sources can be integrated into the wavy plate desiccant system for summer operation in accordance with one or more embodiments.

FIGS. 17A and 17B demonstrate how PVT modules can be integrated into the wavy plate desiccant system and humidifiers for winter operation in accordance with one or more embodiments.

FIGS. 18A and 18B show how the heat from storage or PVT modules can be used during the day and during the night for air conditioning operation in accordance with one or more embodiments.

FIG. 19A shows how a desiccant concentration separator and evaporative cooler can be integrated into the wavy plate system during summer operation in accordance with one or more embodiments.

FIG. 19B shows the system of FIG. 19A integrated to a building space wherein the chilled water that is produced by the evaporative cooler is not only used for cooling the conditioner but also used for cooling ceiling panels or floor panels.

FIG. 20A shows how the additional wavy plates in FIG. 19A can be used to increase heating capacity during winter operation in accordance with one or more embodiments.

FIG. 20B shows how a portion of the air entering a conditioner can be drawn out of the conditioner and diverted to a third set of wavy plates for winter operation.

FIG. 21A shows a corrosion resistant heat exchanger with thermally conductive plastic plates in accordance with one or more embodiments.

FIG. 21B shows a different embodiment of a corrosion resistant heat exchanger with thermally conductive plastic plates in accordance with one or more embodiments.

FIG. 21C shows the major manufacturing steps involved in using glue structures to construct a fluid to fluid heat exchanger in accordance with one or more embodiments.

FIG. 22 shows a water recovery system using plate structures in accordance with one or more embodiments.

FIG. 23 shows a desiccant system for heating and dehumidification in accordance with one or more embodiments.

FIG. 24A shows a heating and dehumidification system using the wavy plates and a water recovery system in accordance with one or more embodiments.

FIG. 24B shows a dual effect desiccant regeneration system which uses recovered liquid water for indirect evaporative cooling.

FIG. 25 shows a desiccant air conditioning system which captures and condenses combustion gasses and recovers water in accordance with one or more embodiments.

FIG. 26 shows a desiccant air conditioning system setup for winter heating that also condenses water vapor and captures contaminants from the combustion process in accordance with one or more embodiments.

FIGS. 27A and 27B show a three-dimensional model of the system of FIG. 24A in accordance with one or more embodiments.

FIG. 28 shows the water recovery system of FIG. 22 integrated to a desalination system for water purification in accordance with one or more embodiments.

Like reference characters generally denote like parts in the drawings.

DETAILED DESCRIPTION OF PREFERRED EMBODIMENTS

FIG. 1A depicts a liquid desiccant air conditioning system as known in the prior art. A desiccant conditioner 102 contains a liquid desiccant in a bath 104. The liquid desiccant 104 can be any suitable solution that attracts water vapor from the outdoor air 110 that is blown into the conditioner 102. The air moves through a filter media 106 that usually comprises a convoluted surface that easily holds and exposes the desiccant to the air stream. Examples of desiccants include CaCl_2 and LiCl_2 . The filter media can be a cellulosic cooling tower fill material. Diluted desiccant 105 that has absorbed water drips from the filter media 106 into the desiccant bath 104. The spray head 107 distributes the concentrated desiccant evenly across the filter media 106. Dehumidified and cooled air 111 is directed into the building. A portion (usually around 10%) of the diluted desiccant 112 is brought through a heat exchanger 103 to a regenerator 101. The majority of the desiccant 112 is brought back to the spray head 107 at the top of the conditioner 102 through an optional cold source 113. The desiccant that is diverted to the regenerator 101 is heated in an optional heater 114 and pumped to a spray head 107' similar to the spray head on the conditioner side. The heated desiccant falls onto a filter media 106' and drips down 105' into a desiccant bath 104'. Return air from the building or outdoor air 108 is brought through the filter media and absorbs water from the desiccant such that moist hot air 109 is exhausted from the regenerator. As discussed earlier, the drawbacks of this system are that the absorption of water vapor into the desiccant is an almost adiabatic process resulting in heating of the air that is meant to be cooled. Furthermore the spray head can lead to some desiccant being carried over into the leaving air streams 111 and 109. And lastly, the baths 104 and 104' force the air flows 110 and 108 to be horizontal and vertical through the filter media. This makes installation on a building roof more complicated since the exiting air 111 needs to be ducted into a downward direction and the return air 108 from the building needs to be ducted into a horizontal aspect.

FIG. 1B is an alternate system known in the prior art. The conditioner 121 comprises a set of vertical plates 118 (which are constructed to be hollow inside) and a desiccant collector 120. Chilled heat transfer fluid from a cold source 113 is brought inside the plates 118 and forms a U-shaped loop 116 internal to the plate. A concentrated desiccant 119 is run over the surface of the plates 118. Outdoor air 110 is directed over

11

the desiccant **119** in a horizontal orientation. The desiccant absorbs water vapor from the air and runs down the surface of the plates **118** into the desiccant collector **120**. The diluted desiccant **121** is pumped through a heat exchanger **103** to the regenerator **122**. The regenerator comprises a set of plates **117** that again are hollow and that have U-shaped channels **116'** in them. Diluted desiccant **119'** is again run over the surface of the plates **117** that are heated by the hot transfer fluid source **114**. Outdoor air or return air from the building **108** is used to absorb water vapor from the desiccant **119'**. The desiccant gets more concentrated as it runs down the surface of the regenerator and collects into the desiccant collector **115**. As in the previous example, the air flow in the desiccant system is primarily horizontal resulting in the need for additional ducts to be used for installation on a rooftop. A horizontal air flow would have been preferred because no duct work would have been necessary, but the desiccant collectors **115** and **120** generally block air from flowing vertically. Furthermore, the U-shaped channels do not allow for a counter-flow design between the air, desiccant, and cooling or heating fluids resulting in lower thermal efficiency of both the conditioner and the regenerator. As compared to the system in FIG. 1A, the liquid desiccant system in FIG. 1B uses lower fan power and lower desiccant pump power.

FIG. 2A shows a liquid desiccant system in accordance with one or more embodiments configured for extreme summer operation and so as to integrate with and optional heat pump **201**. A portion of the desiccant in the conditioner **102** is brought through a heat exchanger **202** that can be coupled to a PVT module array. Since the typical desiccant materials that are used are corrosive to metals, the use of a heat exchanger is desirable. This also complicates the integration of the heat pump **201**; since the desiccant should not contact any metal parts, the heat transfer is made indirectly through a specially designed heat exchanger. As can be seen in the figure, desiccant is taken from the conditioner, is heated in the PVT modules **202** or by the heat pump **201** and sprayed into the regenerator **101**. Conversely concentrated desiccant is taken from the regenerator **101**, run through an optional cold source **203** or through the cold side of the heat pump **201** and into the conditioner.

In FIG. 2B a similar set up is shown for non-extreme operation. The main difference is that the desiccant from the conditioner is cooled, and put back into the conditioner side rather than also being transported to the regenerator. Desiccant only transfers to the regenerator through the heat exchanger **103**. Similarly the desiccant in the regenerator is only heated and put back into the regenerator itself rather than being put into the conditioner.

In extreme winter operation in FIG. 3A, the heat sources **201** and **202** are now heating the liquid desiccant as it is transported to the conditioner **102**. It is noted that the conditioner in the winter setup is used to add water vapor and heat to in incoming air stream **110** and conditions the air to have a higher temperature and humidity as it enters the building at **111**. It is also possible to add a humidifier **301** that can be preheated by another PVT module array **302** or by another source of thermal energy. Since the water that is brought into the humidifier **301** is not corrosive to metals, it is not per-se necessary to use a heat exchanger in **302**; the water can be heated directly by the PVT modules. It is further worth noting that the return air **108** from the building generally is higher in temperature and humidity than the outside air **110**. The regenerator **101** in this setup actually captures the heat and moisture from the return air and transports it to the outdoor air, resulting in much lower

12

heating costs and the desiccant system is in this setup effectively functioning as an enthalpy recovery system.

In FIG. 3B a similar setup is shown as in FIG. 3A, except now the heat sources **201** and **202** are now used to heat the desiccant on the conditioner **102** side of the system directly. Similarly the cold side of the heat pump **201** can directly draw heat from the desiccant in the regenerator.

The cold source **203** in FIGS. 3A and 3B will in most cases not be needed during winter operation of the system. It is also noted that the desiccant in winter mode will need to be diluted which means that small amounts of water will need to be added on a regular basis in order to prevent overconcentration of the desiccant. This water can come from the return air from the building, but may still need to be supplemented from other sources.

FIG. 4 shows how the enthalpy recovery system from FIG. 3A can be integrated into an existing building air conditioner infrastructure. The building space **401** is connected by ducts **402** to the desiccant system from FIG. 3A. The existing air conditioner heat pump comprising compressor **403** releases heat through fan coil **405** and the incoming air can be supplementally heated by PVT modules **406** and an additional fan coil. The compressed gas expands at the valve **407** and is heated by the return air in fan coil **404** before returning to the compressor **403**. The above described setup significantly reduces the load on the air conditioning system by again recovering both heat and water vapor.

In FIG. 5 a new type of liquid desiccant system is shown. The conditioner **501** comprises a set of plate structures that are internally hollow. Optionally the plate structures can have a wavy shape applied to them. The term wavy as used herein refers broadly to a variety of convoluted structures, including serpentine or undulating shapes. A cold heat transfer fluid is generated in cold source **507** and entered into the plates. Liquid desiccant solution at **514** is brought onto the outer surface of the plates and runs down the outer surface of each of the plates. In some embodiments, the liquid desiccant runs in a wicking surface that significantly increases the area of desiccant exposed to the air stream **503**. In other embodiments—described further below—the liquid desiccant runs behind a thin membrane that is located between the air flow and the surface of the plates. Outside air **503** is now blown through the set of wavy plates. The liquid desiccant on the surface of the plates attracts the water vapor in the air flow and the cooling water inside the plates helps to inhibit the air temperature from rising. The plate structures are constructed in such a fashion as to collect the desiccant near the bottom of each plate thereby eliminating the need for a desiccant collector or bath as was shown in FIGS. 1A and 1B. The treated air **504** is now put in the building directly without the need for any additional ducts. Furthermore, since all flows of air, heat transfer fluids and desiccant are vertical, the system is thermally more efficient. The wavy shape of the plates has two primary advantages: air is more easily brought in contact with the surface of the plates since the wavy shape constitutes more of a convoluted path than a straight plate would have given. But importantly, the wavy shape allows for the plates to expand sideways without putting undo stresses on the connections for heat transfer fluids and desiccants at the top and bottom of the plates. This is particularly important since the wavy plates should be constructed from a material that is compatible with the desiccant being used, for example from a (thermally conductive) plastic material such as a thermally doped polymer extrusion. Typically such a plastic has a thermal conductance of about 5 to 10 W/mK. As an example thermal conductances for regular plastics range from 0.1 to 0.5

W/mK, whereas copper, aluminum, stainless steel and titanium have a conductance of about 400, 250, 16 and 18 W/mK respectively. Of these materials only Titanium is reasonably suitable for use with desiccants such as CaCl_2 or LiCl_2 due to the corrosive nature of the desiccants. The wavy plates in the regenerator **502** will expand under the higher temperatures for regenerating the desiccant. This can create thermal stresses on the assembly. The wavy shape helps to reduce those stresses by allowing the plates to expand sideways rather than in the vertical direction.

The liquid desiccant is collected at the bottom of the wavy plates at **511** and is transported through a heat exchanger **513** to the top of the regenerator to point **515** where the liquid desiccant is distributed across the wavy plates of the regenerator. Return air or optionally outside air **505** is blown across the regenerator plate and water vapor is transported from the liquid desiccant into the leaving air stream **506**. An optional heat source **508** provides the driving force for the regeneration. The hot transfer fluid **510** from the heat source can be put inside the wavy plates of the regenerator similar to the cold heat transfer fluid on the conditioner. Again, the liquid desiccant is collected at the bottom of the wavy plates **502** without the need for either a collection pan or bath so that also on the regenerator the air can be vertical. It should be clear to those skilled in the art that the wavy plates can be easily expanded to add additional cooling or heating capacity, that these plates provide for better heat transfer and that the elimination of any bath or collection pan allows for the system to be directly mounted on a roof opening without the need for additional duct work. An optional heat pump **516** can be used to provide cooling and heating of the liquid desiccant similar to the method employed in FIG. 1A. It will be clear to those skilled in the art that the absence of a liquid bath or collection pan also enables the easy installation of the conditioner **501** in a remote location from other components in the system, such as are commonly used in what is known as "split" air conditioning systems.

It will furthermore be clear to those skilled in the art that the system of FIG. 5 can be made relative small in size in such a way that the system could be integrated into an automobile or other vehicle. In such an automobile the heat source **508** can potentially be the heat from an engine and cooling could be provided by a Peltier cooling system.

In FIG. 6A the system of FIG. 5 is shown in a 3 dimensional projection. Desiccant fluid pumps **601** provide the transportation of the desiccant between the conditioner and the regenerator. The holes **602** at the top of wavy plates **501** and **502** ensure an even distribution of desiccant over the surface of the wavy plates. Grooves **603** at the bottom of the wavy plates **501** and **502** collect the desiccant by using either the natural surface adhesion of the desiccant to the plastic of the wavy plates to gather the desiccant into the groove or by using some membrane or other wetting material to help collect the desiccant into the groove. The heat transfer fluid can be connected to the wavy plates at connections **604**, **605**, **606** and **607**.

FIG. 6B shows how the inlet air **652** of a set of wavy plates **502** can be made turbulent by a set of plates **651**. The plates **651** are constructed in such a way as to impart turbulent airflow to the air entering the wavy plates **502**. The resulting turbulent air will better exchange heat and moisture with the surface of the wavy plates as compared to air that flows through the wavy plates in laminar fashion.

FIG. 7 depicts the system similar to FIG. 5 with the addition of a post conditioner cooling coil **702** and preheating coil **701** for the regenerator. An alternate configuration for the heat pump **705** is to instead of heating the desiccant

as in FIG. 5, to heat the heat transfer fluid with heat exchanger coils **703** and **704**. This eliminates the need to have the heat exchanger use corrosion resistant components allowing for a more standard heat exchanger to be used.

FIG. 8 shows a close-up view of one embodiment of the wavy plate assembly where the desiccant drain **801** at the bottom of the plates collects the desiccant that has run into the groove **811**. Heat transfer fluid is connected to the plates at **802** and **805**. The main body of the wavy plates **803** can be made from a suitable material that exhibits good thermal conductivity as well as corrosion resistance, for example a thermally conductive plastic extrusion. Liquid desiccant is entered into the distribution channel **806** at the top of the plates **807** and exits the holes **810** at the top of same plates and runs over the surface **804**. The heat transfer fluid **808** runs inside openings **809** in the wavy plates. As can be seen from the figure the construction of the grooves **811** allows the desiccant to collect at the bottom of each individual plate without obstructing the air flow and without the need for a separate common collection pan. It should be obvious to those skilled in the art that the entering air stream **812** and exiting air stream **813** can be reversed and also that the direction of the heat transfer fluid between **802** and **805** can be either upwards or downwards. The desiccant itself would normally run down the surface because of the force of gravity acting on the desiccant.

FIG. 9 shows further details of one embodiment of the construction of such wavy plates. A component **901**, which is preferably an injection molded plastic component, is bonded on the thermally conductive extrusion **902**. It should be obvious to those skilled in the art that other manufacturing methods can be employed such as machining, thermoforming, welding and other suitable methods. Other materials for the components can be suitably selected to be compatible with the corrosive nature of typical desiccant solutions, for example Titanium and other noble materials. A similar component **903**, also preferably injection molded, is bonded to the top of component **902**. Desiccant is introduced through inlet **905** and spreads generally evenly through the holes **904**. Heat transfer fluid is transferred through the openings **905** and exists through the openings **907**. Desiccant that has run to the bottom of the wavy plates is collected by taking advantage of surface tension in the liquid into the groove **811** and runs through the drain exit **906**.

FIG. 10A shows an alternative embodiment of a wavy plate construction in which components **1001** and **1002**, which are preferably injection molded, are connected to the top of a wavy plate **1003**. Spreader plates **1013** cause the desiccant and heat transfer fluid to be generally evenly distributed. In one embodiment an additional injection molded component **1004** provides the collection of the heat transfer fluid inside the wavy plate **1003**. A membrane or other suitable material such as a wicking material **1005** is applied over the top of the assembly. An example of such a membrane is hydrophobic Poly Propylene manufactured by Celgard under the tradename EZ2090. An example of a wicking surface is a hydrophilic cardboard sheet material similar to coffee filter paper. The completely mounted assembly **1007** is then connected to a final injection molded component **1006** in such a way that the membrane or wicking material guides the desiccant into the component **1006**. In the final assembly **1008** the liquid channels for the desiccant **1009** and **1012** are shown, as are the channels for the heat transfer fluid **1010** and **1011**. If the material **1005** comprises a membrane, then draining the liquid desiccant from the wavy plates can become a challenge since the top of the assembly can "lock" the desiccant in place (also

15

known as vacuum lock). Holes **1014** are purposely provided to allow air to enter behind the membrane so that the liquid desiccant can easily fill and drain behind the membrane. These holes also keep the membrane from accidentally getting pressurized, which could result in damage or deformation of the membrane. Advantageously, the holes are located slightly above the outlet of the desiccant as can be better seen in FIG. **11A**. It can also be seen in **1008** that two wavy plate assemblies have been joined together to form a small stack of plates. It should be obvious to those skilled in the art that the assembly of wavy plates can so be stacked as to generate any amount of air treatment as desired by simply adding additional plates to the stack.

FIG. **10B** shows a detailed cross section of two hydrophobic materials such as membranes **1051** with a hydrophilic wicking material **1052**. Since micro-porous membranes or similar materials are usually made to be hydrophobic, the application of a membrane can have non-uniform wetting caused by the liquid (such as—by way of example—a salt solution or water) to be repelled by the membrane. The repellent forces result in non-uniform flow of liquid on the back of the membrane. By using a hydrophilic material **1052**, the wicking effect of the hydrophilic material causes the liquid to evenly distribute behind the membrane resulting in significantly increased evaporation through the membrane and a significantly increased active area. A liquid running inside the wicking material will spread uniformly between the two membranes.

FIG. **10C** shows a hydrophilic material **1052** behind a hydrophobic material such as a membrane **1051**, attached to a thermally conductive support wall **1053** (which can be, e.g., a wavy plate). If the support wall is also hydrophobic such as is often the case with plastics and the like, then the wicking material will ensure even flow distribution of the liquid. The support wall can be made to be thermally conductive which would allow one to adjust the temperature of the liquid inside the wicking material and thereby control the evaporation of absorption through the membrane.

FIG. **10D** shows a similar structure as in FIG. **10C** wherein the wicking material is applied on both sides of the (thermally conductive) support wall **1053**. The liquids inside the wetting materials **1052** on each side of the wall can now be made to be different. For example, the leftmost wicking material could be wetted with a salt solution and the rightmost wicking material could be wetted with water or some other heat transfer fluid.

FIG. **10E** shows a structure similar to FIG. **10D** wherein the support wall **1053** is now made to be hollow such that a heat transfer liquid **1054** can be used inside the support wall. Such a structure allows heat transfer from the heat transfer fluid **1054** through the walls into the wicking materials **1052** on either side of the wall **1054**. It should be obvious to those skilled in the art that other combinations of hydrophobic and hydrophilic materials can be devised.

FIG. **11A** depicts additional details of the construction of such as stack of wavy plates. A stack of wavy plates **1101** can be set up to treat air multiple times by stacking the plates vertically as well as horizontally. Vertical stacking allows air to be treated for instance to increase dehumidification, whereas horizontal stacking increases the overall capacity of treated air. Detail **1102** shows a detail of the bottom of the wavy plate construction in which the membrane or wicking surface **1005** is used to guide the desiccant into the bottom drain **1006**. The lower edge **1111** of the membrane or wicking material is not fixedly connected so as to avoid potential pressure buildup of desiccant which could lead to damage of the membrane or wicking surface. Detail **1107**

16

shows the same area as detail **1102** except with the membrane **1005** removed. The channels **1109** and **1110** that are created in the components **1004**, **1006** and **1003** allow for the membrane **1005** to be bonded, but still allow for the desiccant to pass through the channels. Similarly detail **1103** of the top of the wavy plate assembly shows how the desiccant is able to enter through supply channel **1012** and run through the channels in components **1002** and over the surface of wavy plate component **1003**. It should be clear from the details that the holes **1014** and the unconnected edge **1111** at the bottom advantageously serve the function to 1) inhibit vapor lock at the top of the assembly and 2) to avoid pressure damage to the membrane or wicking surface at either the top or the bottom of the assembly. Again detail **1108** shows the same top assembly with the membrane **1005** removed. Since the surface area of the wavy plate assembly **1101** is important for the overall air treatment capacity of the system, it should be easy to stack multiple wavy plates in both the horizontal and vertical direction as discussed above. Features **1104**, **1105** and **1106** allow for stacking of plates by aligning and locking plates together. It should be clear to those skilled in the art that such features can have many shapes and sizes.

FIG. **11B** shows a system setup similar to FIG. **5** wherein the wavy plates are accepting a horizontal air flow. In the figure the wavy plates form two stacks in such a way as to treat the air passing through twice. By placing the wavy plates at a small angle to the incident air, the air will interact more readily with the liquid desiccant on the surface of the wavy plate. Such liquid desiccant can be located behind a membrane or in a wetting material as described before. By maintaining the wavy aspect in the vertical direction, any thermal stresses caused by thermal expansion and contraction of the wavy plates are significantly reduced.

FIG. **11C** illustrates the setup from FIG. **11B** in a top-down view.

FIG. **11D** shows the dual set of wavy plates from FIG. **11B** implemented twice. The first set treats air coming from outdoors and performs a double treatment of this incoming air. The second set receives return air from a space and also treats it twice. In such a setup the recovery of energy (water vapor and thermal energy) can be near complete. This setup allows for energy recovery while still allowing thermal energy to be added or removed and water to be added to air coming through the plate system through the desiccant, thereby enhancing the heating or cooling of the incoming air. Conventional energy recovery systems typically do not allow for the addition or removal of thermal energy or water.

FIG. **11E** illustrates a desiccant cooling system in the prior art. A stack of plates **1134** is placed (typically about 0.25 inch apart) and is covered by a membrane **1131** that has water **1133** flowing behind it. The opposite site of the plate contains a second membrane **1135** behind which a liquid desiccant is flowing. Incoming air **1136** is dehumidified because water vapor in the air is absorbed into the liquid desiccant through the membrane **1135**. At the exit of the plates, the dehumidified air **1137** is partially directed towards the space being cooled and a portion is directed in the reverse direction **1138**. This secondary air flow **1138** is relatively dry and can effectively absorb water vapor from the water **1132** behind the membrane **1135**. The absorption of water vapor through the membrane into the air leads to a cooling effect of the diverted air. This cool air in turn cools the water **1133**. The cool water then thermally cools the plates as well as the liquid desiccant which ultimately leads to the main air stream being cooled. This approach allows evaporative cooling to occur in climates such as Miami, Fla.

17

where humidity levels and temperatures are relatively high so that cooling towers normally do not function as well. By first drying the incoming air and then using indirect evaporative cooling through the membrane, the system is able to use evaporation to create a cooling effect. To inhibit the secondary air from mixing with the outdoor air, it is diverted by diverter **1139** near the end of the plate stack in a direction **1140** perpendicular to the drawing. As can be seen in the figure, the membrane/liquid layers are mirrored—water is facing water and desiccant needs to face desiccant for each of the plates. This creates a challenge for manufacturing such a plate stack.

FIG. **11F** illustrates an embodiment of the concept of FIG. **11E** wherein wavy plates **1147** are used to provide and alternating structure for liquid desiccant and water. In some embodiments, the wavy plates are made using thermally conductive plastics. The wavy plates contain ridges **1146** to support the membranes **1131** and **1135**. Liquid desiccant enters the wavy plate set through channel **1141** and exists through channel **1144**. Water enters through channel **1142** and exits through channel **1143**. An adjustably connected air diverter **1145** takes a controllable amount of air in directs it in the reverse direction **1138**. The diverted air **1138** absorbs water from behind the membrane **1135**. The diverter **1139** closes the top of the opening between the plates and directs the airflow **1140** in a perpendicular direction. The bottoms and tops of the wavy plates **1147** are inserted into an injection molded component **1006** similar in design to FIG. **10A**.

FIG. **11G** shows a detail of FIG. **11F** wherein a close-up of the wavy plates **1147** that have the membranes **1131** and **1135** mounted to the ridges **1146** on the wavy plates. In order to provide liquid to opposite faces of the wavy plates, holes **1150** and **1151** are provided in such as way is to provide access to alternating sides of the wavy plates **1147**. The liquid desiccant enters the drain channel **1144** through the holes **1152**. As can be seen from the figure, the wavy plates **1147** can be made to be generally identical, except that the wavy plates are flipped upside down in an alternating fashion.

FIG. **11H** shows a detail of the wavy plates **1147**. The wavy plates are alternatively flipped upside down to provide opposing connections to the water and desiccant supply lines. As can be seen in the figure, the ridges **1146** provide support for the membrane and the thermally conductive surface **1134** provides a thermally conductive path to the opposite side of the wavy plate. The holes **1153** provide a uniform distribution of the liquids similar to the holes in component **1013** in FIG. **10A**.

In various embodiments described herein, wavy plate structures are used to expose a liquid desiccant to an air stream through a membrane while simultaneously exposing the liquid desiccant to a heat transfer fluid. Various alternate structures can also be used to perform these functions. For example, FIGS. **11I** and **11J** illustrate a tubular structure for exposing a liquid desiccant to an air stream through a membrane while simultaneously exposing the liquid desiccant to a heat transfer fluid. The structure comprises a plurality of tubes **1181** that can be made from any suitable thermally conductive material for example from a thermally doped polymer extrusion. The inner wall of the tube can feature ridges **1184** to allow a membrane **1182** to be bonded to the top of the ridges in such a way that the membrane is held at a small distance to the tube wall so that liquid desiccant can pass between the wall and the membrane perpendicular to the plane of the figure in the so created channel **1183**. Air can thus be passed in the center of the

18

tubes **1186**, while heat transfer liquid can pass in the generally triangular sections **1185** between tubes. The heat transfer fluid is thus able to heat the desiccant solution through the thermally conductive walls. It should be understood that other shapes and arrangements of tubular structures can also be devised. FIGS. **11I** and **11J** also show that it would be possible to apply some wavy shape to the tube which as in the previous embodiment functions to achieve better interaction between air and desiccant while at the same time reducing stresses due to thermal expansion in the vertical direction of the structure.

FIG. **11L** is a top view of an alternate hexagonal structure of thermally conductive surfaces **1192** in accordance with one or more embodiments. FIG. **11K** is a three-dimensional view of one of the hexagonal elements forming the hexagonal structure. Each hexagonal element in the structure includes thermally conductive surfaces **1192**. Ridges **1194** allow membranes **1191** to be mounted substantially parallel to the thermally conductive surfaces. The channels between the membrane **1191** and the walls **1192** in some of the elements can be used for passage of a heat transfer liquid or alternately for passage of water to perform an evaporative cooling function in a similar manner to the system described in FIG. **11E**. In the example shown in FIG. **11L**, the hexagonal elements with channels between the membrane **1191** and the walls **1192** shaded in gray contain water, and the channels in the other hexagonal elements contain liquid desiccant. Thus, air in channels **1195** can be exposed to the liquid desiccant through the membranes, while already treated air **1196** can be exposed to water through the membranes.

FIG. **12** shows how the wavy plate assemblies discussed above can be integrated into a full solar air conditioning system. The enclosure **1201** provides protection of the desiccant air components from the weather. The system includes the conditioner **501** and the regenerator **502**. Pumps **601** provide desiccant flow to the conditioner and regenerator. Blowers **1209** move air into and out of the building. Outdoor air **503** is treated by the wavy plates and moved into the building as treated air **504**. Return air **505** from the building can absorb the heat and water vapor and is exhausted at **506**. A small optional chiller **1203** provides sensible cooling if needed. A solar inverter **1202** can invert the electricity coming from a series of solar modules **1205**. There is a significant advantage for integrating a solar inverter to an air conditioning system (whether it is a conventional air conditioner or a desiccant air conditioner): a rooftop air conditioning unit already has a significant electrical supply line going up to it. By integrating an inverter into a replacement air conditioning unit, the installation of PV or PVT modules a dramatically simplified. Normally a solar inverter is located somewhere inside the building and electrical lines are run from the roof to the inverter creating a significant amount of cost and labor. By locating a solar inverter inside an air conditioner there is no need to run any electrical cabling into the building, since the existing electrical lines to the air conditioner can be back-fed by the inverter to supply electrical power to the building. Also in the figure is shown a supplemental water heater **1204** that can be used when the PV-Thermal modules do not provide adequate temperatures or power. In addition the solar modules **1205** can have a water storage tank **1206** in such a way that access hot water can easily be stored. In this system the hot water tank **1206** is functions to provide ballast to the PVT module. Normally a concrete block or similar ballast would be provided to hold down solar modules on a flat roof. However, by using a thin flat tank like

1206, we achieve two objectives: hot water storage as well as ballast. It should further be noted that each solar module can have its own storage tank. By integrating tanks **1206** below the PVT modules **1205**, all electrical lines **1207** and heat transfer fluid lines **1208** can be led to the desiccant system **1200** without the need for any lines entering the building or for installing tanks or inverters anywhere in the building thereby significantly improving installation time for the system.

FIG. **13A** illustrates how such a storage system as shown in the previous figure can be used. At the start of the day, **1301** the PVT modules **1304** start receiving solar radiation **1306**. The storage tanks **1305** underneath the PVT modules are generally filled with cold water (or some other heat transfer fluid). The PVT modules start generating hot water which is directed to the solar air conditioning system **1200**, and specifically to the regenerator **1310**. Since sensible cooling also needs to be provided, one of the cold water tanks is connected to the conditioner **1309**. As the day progresses **1302**, the PVT modules will generate excess hot water which can be used to start filling up some of the tanks. The connection **1307** and **1308** are made in such a way that the correct number of tanks is connected to the air conditioner **1200**. At the end of the day **1303**, most or all of the tanks will contain hot water. This hot water can now be used to continue to run the regenerator during the evening and night by connecting the hot tanks through lines **1316** to the regenerator as shown in FIG. **13B**. Since PVT modules are also relatively efficient at shedding heat by radiation **1314**, the PVT modules can now be directly connected to the conditioner by lines **1315**. In the middle of the night **1312**, the radiation from the PVT modules can be used to start making cold water for storage in the tanks in such a way that by the end of the night all hot water has been used and cold water has filled the tanks underneath the modules. This allows the cycle to start over again. Effectively this arrangement allows the day to night shifting of cold and hot water generation, which can eliminate the need for any sensible cooling system such as the small chiller **1203** in FIG. **12**.

FIG. **14A** shows an embodiment of the solar PVT modules from FIG. **12** in some level of detail. The PV laminate **1401**, which can either be silicon or thin film based, generates the electrical power. The storage tank **1402** doubles as a hot liquid storage container as well as a ballasting system. FIG. **14B** shows a cut-out close-up of the system. A series of thin channels **1405** behind the laminate **1401** collect heat from the laminate and heats the transfer fluid. The main hot water channel **1404** brings water down to a thermostatic valve assembly **1403**. The thermostatic valve can direct hot water either directly to the main manifold **1406** or to the storage tank **1402**. The thermostatic valve can either be operated automatically or through a software control.

FIGS. **15A** and **15B** demonstrate another use of the storage tank underneath the PVT module. The storage tank in this case has a removable lid **1501** and a main body **1502**. The side and rear supports **1504** of the PV laminate **1503** are removably connected to the tank and the PV laminate. After removing the lid **1501**, the entire solar module and support structure can be put inside the tank body thereby protecting the solar module during shipment. This alternate use of the tank as a shipping container can be very helpful when solar modules have to be setup and disassembled on a regular basis for example as may occur for remote military basis. In effect, the tank now serves three functions: shipping container, storage tank and ballast system.

FIG. **16A** demonstrates a schematic of the setup of a solar air conditioning integrated to a desiccant system for extreme

summer operation. All of the desiccant from the conditioner **501** is sent to the regenerator **502**. The advantage of the plate structures is that in effect the plate sets **501** and **502** are three way heat exchangers between air, liquid desiccant and a heat transfer fluid. This allows for PVT modules to be tied in at two places: directly heating the heat transfer fluid at **1601**, or heating the desiccant through a heat exchanger at **1602**. Similarly the cold connections for sensible cooling can either be made on the desiccant side **1604** or on the heat transfer fluid side **1603**.

FIG. **16B** shows a setup for summer non-extreme operation. The major difference with the previous case is that only a portion of the desiccant is sent through the heat exchanger **513**. The flows of desiccant at **1609** and **1610** can be adjusted so that only a portion of the desiccant is sent to the regenerator. As in the previous case, the PVT modules can be tied in at two places: at the desiccant side **1606** and at the heat transfer fluid side **1605**. Again the cold connections can be made on either the desiccant **1608** or the heat transfer fluid **1607**. It will be clear to those skilled in the art that all the heat sources and cold sources can be supplemented by other sources tied into the same lines in parallel or in series to the PVT modules or cold sources in the drawings.

FIG. **17A** shows a liquid desiccant system set up for winter heating in extreme conditions. Since active cooling of the leaving air is not necessary, the cold sources have been omitted from the drawings. Again PVT modules can be tied into desiccant side **1705** or the heat transfer fluid side **1706**. Since the heated desiccant will also emit water vapor additional water may have to be added at **1707** to prevent high concentrations of desiccant and potential crystallization of the desiccant salts. Furthermore the treated air **504** may require additional humidification **1703** which again can be done more efficiently by preheating the water at **1704** with PVT modules or another heat source.

FIG. **17B** shows a similar setup to FIG. **17A** except for non-extreme winter conditions whereby only a portion of the desiccant is sent through the heat exchanger at **1708** and **1709**.

FIG. **18A** shows how the PVT module array from FIG. **13A** can be connected to the liquid desiccant system. PVT modules **1804** receive heat and the hot heat transfer fluid is sent to both the desiccant regenerator **502** and the hot storage system **1803**. The cold side can draw cold water from the cold storage tanks **1805**. At night, FIG. **18B** shows how the regenerator is now drawing from the hot storage tanks **1803** whereas the conditioner is radiating heat through the PVT modules **1804**, which at the same tank provide cool water in the cold storage tanks **1805**.

The setup from FIGS. **18A** and **18B** works well when there is a large temperature difference between night and day temperatures, e.g., as is the case in desert or in the central valley in California. However in other climates the temperature may not change as much and additional sensible cooling can still be required. As discussed before such sensible cooling can be provided with a small chiller or a heat pump. It should be clear to those skilled in the art that other means of cooling such as Peltier cooling or evaporative cooling could be employed. In climates such as Miami, Fla. evaporative cooling is not as effective in the summer due to the already high humidity levels.

FIG. **19A** shows an alternative method for cooling that uses a portion of the dehumidified air **504** and directs it to a third set of plate structures **1904**. The diverted air flow **1903** is already treated and low in humidity. Instead of desiccant, the third set of plate structures has water running over its surface and behind a membrane or wicking surface,

and has a heat transfer fluid internally to the plates 1907. The diverted air is now directed between the wavy plates in effect creating what is known as an evaporative chiller using the wavy plates. Water is supplied to the third set of plate structures at 1905 and un-evaporated water is returned to the top of the plates through line 1909. The portion of air 1903 that is diverted can be adjusted with louvers or baffles or some other suitable mechanism in such a way that the amount of air is variable. Varying the amount of air will regulate the temperature achieved in the building by the entering air 504. As in FIG. 18B, PVT modules 1807 can be used at night to enhance the cooling effect and cold water can be stored in tanks 1805. It would also be conceivable to locate the third set of plate structures 1904 (partially) underneath the conditioner 501. This will increase the height of the overall stack, but negates the need to redirect the air 504 in the opposite direction. Conversely it would also be possible to divert the air 504 out of the plane of the drawing and into the third set of wavy plates in a horizontal flow pattern. Locating the third set of wavy plates underneath the conditioner plates 501, has as a disadvantage that reversing the air flow for winter operation such as is shown in FIG. 20A becomes impossible. However, drawing a portion of the air 504 out perpendicular to the plane of the drawing and sending it through the third set of wavy plates 1904 in a horizontal fashion, still will allow the air in the third set of plates to be used for winter heating as is shown in FIG. 20B.

In addition to the third set of plates, FIG. 19A shows another improvement to the desiccant system. Desiccant storage system 1902 uses the fact that dilute desiccant will physically separate from concentrated desiccant if flow rates are low and the desiccant has sufficient time to settle. In other words if left alone the concentration in tank 1902 will tend to increase going from the top to the bottom. One can take advantage of this effect by connecting the desiccant lines at the appropriate heights along the sides of the tank. One can also draw the desiccant from a variable height in the tank using a vertically adjustable drain 1908. By moving the drain 1908 up, the system will draw lower concentration desiccant resulting in less dehumidification. In effect this gives the system a control capability for humidity in the building. Lowering the drain 1908 will decrease the humidity in the building but will also result in higher costs for the regeneration. In effect this now gives the system independent control over temperature of the air by adjusting the supplemental heating system 1901 is used when the PVT modules 1804 do not generate adequate heat.

It should be understood that various features and elements (such as, e.g., the tank 1902) described in connection with particular embodiments, can also be implemented in other embodiments though not explicitly indicated.

FIG. 19B shows the system of FIG. 19A wherein the third set of wavy plates 1904 that function to provide chilled water to the conditioner 501 are now also providing chilled water 1956 to one or more ceiling panels 1955, a so-called "chilled ceiling". This approach allows the chilled water produced in the third set of plates to also provide sensible space cooling in an integrated approach. The cooled and dried air 504 and 1952 is typically guided through a series of ducts 1953 and delivered to the space 1954 in the building 1951. This approach allows for easily balancing of the buildings requirements for latent and sensible cooling by varying the number of plates in the plate sets and by adjusting the desiccant concentration which in turn affects the humidity in the space. It should be clear to those skilled

in the art that in stead of chilled ceiling plates a series of fan coils or other suitable liquid to air heat exchangers could be deployed.

FIG. 20A shows the system from FIG. 19A but set up for winter heating. Since oftentimes the heating capacity in the winter needs to be much larger than the cooling capacity in the summer, it is now possible to use the third set of wavy plates as part of the heating of the incoming air. Instead of flowing water over the surface of the third set of plates, the system is now using the liquid desiccant to treat the air. In winter mode the supplemental heater 1901 does not need to be used and neither does heat need to applied to the heat transfer fluid in loop 2001. In stead the supplemental heater 2003 can be used to heat the heat transfer fluid in the conditioner wavy plate sets 501 and 1904. Additional pre-heater coils 2006 can be used to heat the entering air 503 and 1906. The desiccant 2002 that enters the regenerator 502 is picking up heat and water vapor from the leaving air 505. As discussed for FIG. 17A, this serves to reduce the heating requirements for the conditioner as the desiccant through piping 2004 transports this heat and water to the conditioners. Lines 2005 now connect the desiccant to also reach the third set of wavy plates. As winter conditions oftentimes require humidification to occur, additional water can be added through either the same system 1905 that is used for evaporative cooling in summer mode or by additional humidifiers 1703.

FIG. 20B shows how the air 2051 flows in substantially a vertical direction through the third set of plates 1904 during winter heating pushed by the fan 2053. During summer cooling the air 504 is directed out of the plane of the drawing following the arrow 2052 and directed into a substantially horizontal flow direction by the fan 2054 which is substantially located behind the plane of the drawing and behind the third set of wavy plates 1904. The advantage of this approach over the approach described in FIG. 20A is that there is no need for a reversible air fan: instead a winter fan 2503 is used during heating season and a summer fan 2504 is used during cooling season. The fan 2505 on the conditioner is always directing air in the same vertical flow. A further advantage of this approach, besides the increase in winter heating capacity is that the entire area of the third set of plates is actively used in both winter and summer. The approach described in FIG. 11E has as a disadvantage 1) that is not reversible for winter heating support, 2) that the effective area, particularly for the water channels 1138 is reduced due to the manner in which air flows through the evaporative channel 1138, and 3) that the ratio of evaporative channels 1138 over desiccant channels 1137 is fixed, giving less flexibility to adopt the system to climates where maybe less evaporation is needed (sensible cooling) and more dehumidification (latent cooling). By separating the evaporative channels into a third set of plates, the flexibility is increased to adopt the system to various climate conditions.

FIG. 21A depicts a plate heat exchanger in accordance with one or more embodiments. Since the desiccants used in these air conditioning systems are typically corrosive to metals, normal heat exchanger—which is typically constructed with metal—can not easily be used unless materials have been selected specifically for corrosive duty, which usually has a negative impact on cost. By using a flat plate construction wherein the entire units is made out of plastics, costs can typically be reduced. Desiccant enters the heat exchanger in two places, for example, hot desiccant enters at 2101 and exits as cold desiccant at 2103, and cold desiccant enters at 2102 and leaves as hot desiccant at 2104. The

23

housing **2105** contains a plate **2106** assembly that has thermally conductive surfaces **2110**. Obstructions **2109** inside the plates **2106** create a long convoluted path for the desiccant. Vertical separators **2107** create a long convoluted path for the fluid flowing in the opposite direction to the fluid inside the plates. Cutouts **2108** in the vertical separators **2107** force the opposing fluid into an up-down and left-right direction. It will be clear to those skilled in the art that other construction approaches of thermally conductive flat plastic plates can be used as a heat exchanger.

FIG. **21B** shows an alternative arrangement of thermally conductive plastic plates for a heat exchanger. The heat exchanger **2150** comprises a stack of formed, thermally conductive plastic plates **2155** and **2157**. Cold liquid enters at **2151** and is heated through the plate assembly and exits as hot liquid at **2152**. Hot liquid enters at **2153** and exits cold at **2154**. Each of the plates contains a seal **2156** that is oriented in such a way the even plates **2155** allow for flow from lower left to upper right of the plates **2155** and odd numbered plates **2157** have a mirror image seal **2156'** that allows flow from the lower right to the upper left. The turbulence ridges **2158** cause the liquid flow to go up and down when it moves from the inlet to the outlet, thereby creating better heat exchange with the liquid in the next channel. The turbulence ridges can be created by forming them into the plastic plate **2155** and **2157** such as for example by thermoforming or casting the plastic. Alternatively, since the molding costs of forming plastics plates are substantial, it is possible to using a glue system to attached glue lines **2158** to the plates **2155** and **2157**. Such glue lines can be formed by a simple XY robotic gluing system for example using 3M Corporation's Marine 5200 Polyurethane glue. The sealant lines **2156** and **2156'** can also be formed using the same gluing system, except that the height of the sealant lines would be made about 2x the height of the turbulence lines **2155** and **2157**, in such a way as that when the plates are stacked the glue lines support each other and the seal lines cover the distance between the top and bottom plates.

FIG. **21C** is a cross section schematic view of the plate structure and exemplary manufacturing steps involved in using glue structures to construct a fluid to fluid heat exchanger as was shown in FIG. **21B**. As shown in FIG. **21C**, in step A, a plate **2155** preferably made from a thermally conductive, non-corrosive material is first placed in a machine that can evenly apply glue ridges **2158** in a pre-determined pattern on one side of the plate. After the glue ridges are cured (step B), the plate is flipped over and a second set of glue ridges **2158** is applied to the opposite side of the plate (step C), in a similar or different pattern. A number of similar plates are thus constructed in this fashion. After the number of plates have cured (step D), a base **2161** of the heat exchanger is positioned and a glue pattern **2156** meant for sealing to the base is applied. Before curing can occur, the first plate **2155** is placed on the seal in such a way as to adhere to the underside of the first plate (step E). This process step is repeated with the other plates (step F). Finally, the top plate **2162** is placed with a glue seal **2156'** (step G). The advantage of this construction process is that it is very easy to make heat exchanger units with different materials, plastics as well as metals, with virtually no setup or tooling costs. Furthermore, one can easily change the size of the heat exchanger by simply enlarging the plates and re-programming the glue machine. Traditional heat exchangers typically use formed metal plates and thus every size change can require a new die for forming the metal.

24

These heat exchangers also often employ a cast urethane gasket, so changing sizes also will often require a new casting mold.

In certain situations it could be desirable to capture the water vapor in outdoor air and turn it into liquid water, for example, to generate drinking water. FIG. **22** shows an arrangement whereby two sets wavy plates have been integrated into an enclosure **2201**. A first wavy plate set **2202** has—as before—a hot heat transfer liquid generated by a heat source **2211**. Desiccant from a source **2203** is directed to the surface of the wavy plates **2201**. The heat from the source **2203** causes water vapor to evolve from desiccant on the surface of the wavy plates. Air **2205** that is driven between the plates by the fan **2206** absorbs the water vapor and is moved to the right side of the system. Since the complete system is enclosed and the air is unable to escape, the relative humidity in the enclosure **2201** will reach close to 100%. When the heated, moist air **2205** exits from the first set of wavy plates, it will be close to saturation. When that same air reaches the second set of wavy plates **2207**, the cold water loop **2208** causes the water vapor to condense on the surface of the wavy plates **2207** and is then collected at the bottom of the wavy plates **2207** in the form of liquid water that flows out of the system at **2210**. The cooler air **2204** exits the bottom of the wavy plates **2207** and is transported back to the first set of wavy plates **2202**, where it is heated again and where it absorbs water vapor from the desiccant, which starts the cycle over again. It is possible to add a vacuum pump **2209** so as to operate the system of FIG. **22** at reduced pressure. This would lower the required temperature to evolve water vapor from the desiccant on the first wavy plate set **2202**, but would make the system more complicated, for example one would also have to add a pump mechanism to retrieve the condensed water from the system at outlet **2210** and to prevent the backflow of the desiccant on the first set of wavy plates **2202**. An optional air to air heat exchanger **2212** could be added, but that could lead to condensation in the heat exchanger, which would be more difficult to recover. It should be clear to those skilled in the art that the condensation in the wavy plates **2207** could be accomplished in other was such as a set of metal plates that are relatively cool as compared to the wavy plates **2202**. Since there is no desiccant involved in the condensation process, any suitable material such as metal plates can be used for the condensing component.

FIG. **23** shows a system that uses a liquid desiccant for the dehumidification of greenhouses. Conditioners **2322** and **2323** contain liquid desiccant conditioners as shown also in FIGS. **1A** and **1B**. The spray heads **2314** spray desiccant into a cooling tower fill **2315**, which dehumidifies the greenhouse air **2317**. Diluted desiccant **2316** rains down into a collection bath **2318**. Some of the desiccant **2324** is pumped through the heat exchanger **2320** and reaches a regenerator **2301**. The desiccant can be optionally heated by a PVT module heat source **2319** before reaching the desiccant collector **2304** that is part of the regenerator. Some of the concentrated desiccant in the collector **2304** is pumped to a heat exchanger **2306** and/or through an optional PVT module heating system **2305** before being sprayed into a filter material **2303**. The filter material **2303** is able to spread the desiccant over a large area while letting air through. Air **2302** is pumped by the fan **2309** through the filter material and picks up water vapor from the hot desiccant. The hot moist air is then transported to the other side of the regenerator where cold water is sprayed into the air at **2321**. Water condenses from the air and collects into a collection bath **2310**. Some of the water is pumped through lines **2312** to

25

heat exchangers 2313 where the water is cooled by the air stream coming through the conditioners 2322 and 2323. Excess water is drained at 2311. The heat for the system is provided by water heater 2308 or optionally by the PVT modules 2307. The heat exchanger 2306 is needed because the corrosion of the desiccant does not allow direct heating by the water heater.

FIG. 24A shows a significantly more efficient water generation system. The wavy plate conditioner 2405 treats the entering air 2406 and absorbs moisture as before into a desiccant running over the surface of the wavy plates. The leaving air 2407 is warmer and dryer than the entering air 2406. Diluted desiccant is pumped through a heat exchanger 2404 and through an optional PVT module heater 2403 to the water recovery system 2200 discussed above. Since the wavy plates in effect comprise a three way heat exchanger, the system 2400 can be much simpler. Water heater 2402 and optional PVT modules 2401 heat a heat transfer fluid 2409 which runs through the wavy plates inside the water recovery system 2200 without the need for a heat exchanger. Similarly, cooling liquid in 2408 can run directly through the conditioner wavy plates 2405 without an additional heat exchanger. This simpler system is also more energy efficient since the air flow in the conditioner is less obstructed and since the heating and cooling in the wavy plates is done in-situ. As a result a lower temperature heat source such as the PVT modules can be used. Water is recovered again at 2410.

The regeneration of dilute liquid desiccant should preferably be performed at high efficiency as well as at low temperature. Multiple effect regenerations are known in the art that have high efficiency, but generally also require high temperatures. High regeneration temperatures make it difficult or impossible to use "waste" energy sources or solar energy sources. Generally speaking lower temperature waste energy is more readily and cheaply available than high temperature waste energy. FIG. 24B shows a combination of the water recovery system from FIG. 22 and the indirect cooling system of FIG. 19A. By combining the water recovery system 2200 into the regenerator plate set 502, the regeneration of desiccant becomes what is known as a multiple effect regenerator. The dilute desiccant 511 is first directed to the plates inside the water recovery system 2200. Inside the wavy plates hot water 2409 is provided to evaporate water from the liquid desiccant. The liquid desiccant exits at the water generator at higher concentration and is directed to the plates at 515. Hot water vapor inside the water generator 2200 heats the water loop 2408 which in turn heats the wavy plates 502 of the regenerator. Concentrated desiccant 512 is then returned through the heat exchanger 513 to be reused in the conditioner. One advantage of this system is that it can regenerate at higher efficiencies than a single effect regenerator, while still operating at lower temperatures. Furthermore the recovered water 2410 can be directed through water line 2451 and optional cooler 2452 to the evaporative section of the indirect cooling system from FIG. 19A, thereby reducing or even eliminating the need to provide a water supply source.

FIG. 25 shows the system of FIG. 24A with some additional improvements. Rather than sending all of the desiccant to the regenerator 2200, the separator 2501 allows for the least concentrated desiccant near the top of the separator to be sent for regeneration and the most concentrated desiccant to be used again in the conditioner. Combustion of fossil fuels generally results in carbon dioxide and water vapor being produced. Other combustion byproducts are contaminants such as NO_x and SO_x and other residual by

26

products. Gas burner 2502 produces these gasses if it is used in the space to be treated such as inside a greenhouse. Hot water coils 2503 absorb most of the heat generated by the burner. The hot water is used in the regenerator 2200. Water vapor, CO₂ and the contaminants such as NO_x and SO_x go through the hot water coils and enter the wavy plates 2405. The CO₂ is desired in the greenhouse, but water vapor and other contaminants are not. In effect the wavy plates function as what is known as a condensing boiler by absorbing the water in the combustion exhaust, which releases additional heat and makes the overall combustion process more efficient. But unlike a condensing boiler the desiccant is also able to absorb some of the contamination in the burner effluents. The desiccant transports these contaminants with the water to the regenerator 2200 where supplemental filters 2411 can be employed to filter these contaminants out of the desiccant or out of the air stream in the regenerator. The arrangement in FIG. 25 allows for burning of fuels such as biogases that are not as clean burning as natural gas. Also shown in the figure is an additional external cooling coil 2504 that can be added to aid in the condensation of the water.

FIG. 26 shows how some of the concepts discussed in the previous figure can also be integrated into winter heating system as discussed in FIG. 17. Water heater 2602 uses a gas burner 2601. The heated water 2604 can also be heated by the PVT modules 1706 to heat the conditioner 501. Desiccant on the surface of the regenerator 501 absorbs water vapor and other contaminants such as NO_x and SO_x and other residual by products. The desiccant is transported to the water recovery system 2200 through optional filters 2603 that can capture some of the contaminants in the desiccant. Recovered water at 2608 can be drained off or can be diverted to a humidifier 1703 through lines 2609, which can optionally be preheated by PVT modules 1704 or some other heat source. The cold loop for the condensation of water in the regenerator 2200 can be cooled by an external cooling coil 2607, but can also be cooled by running water to the wavy plates 502 by the lines 2606.

FIGS. 27A and 27B show three dimensional views of the desiccant system from FIG. 24A set up for greenhouse heating. FIG. 27A shows the enclosure 2701 containing the desiccant conditioner wavy plates 2405. Fans 2701 can move the air through the desiccant conditioner. FIG. 27B shows a rear view of the same system with some openings provided to illustrate the internal components. The regenerator plates 2202 receive hot water from the water heater 2402. Heat exchanger 2404 separates the hot and cold desiccants. Condenser plates 2207 collect the water from the system.

FIG. 28 shows how the water generator 2200 can be used in a desalination system. Seawater 2803 is guided between a set of membranes 2801 that have concentrated desiccant 2804 on the opposite side. The desiccant functions as a draw fluid attracting water 2802 through the membrane into the desiccant, thereby diluting the desiccant. An optional set of PVT modules 2806 can preheat some of the desiccant. The diluted desiccant is now guided through the heat exchanger 2811 to the regenerator 2200. A heating system 2807 heats a heat transfer fluid that is used in the regenerator wavy plates 2813. The heat transfer fluid can also be heated by the PVT modules 2812. The desiccant can also be heated by the PVT modules 2810. An external cooling loop 2808 can be employed to cool the condenser plates 2814. Pure water is recovered at point 2809. The advantage if the described system is that it can operate at significantly lower power

27

levels than desalination systems that use osmosis, since solution pump power can be kept very low.

Having thus described several illustrative embodiments, it is to be appreciated that various alterations, modifications, and improvements will readily occur to those skilled in the art. Such alterations, modifications, and improvements are intended to form a part of this disclosure, and are intended to be within the spirit and scope of this disclosure. While some examples presented herein involve specific combinations of functions or structural elements, it should be understood that those functions and elements may be combined in other ways to accomplish the same or different objectives. In particular, acts, elements, and features discussed in connection with one embodiment are not intended to be excluded from similar or other roles in other embodiments. Additionally, elements and components described herein may be further divided into additional components or joined together to form fewer components for performing the same functions. Accordingly, the foregoing description and attached drawings are by way of example only, and are not intended to be limiting.

The invention claimed is:

1. A desiccant air conditioning system for treating an air stream entering a building space, comprising:

(a) a conditioner including:

(i) a plurality of structures arranged in a substantially vertical orientation, said structures being spaced apart from each other with an air stream gap between each pair of adjacent structures defining flow paths between structures for passage of the air stream therethrough, each structure having at least one outer surface facing an air stream gap across which either a liquid desiccant or water can flow, wherein the air stream flows through the air stream gaps between the structures such that the air stream is exposed to the liquid desiccant and dehumidified when in some of the flow paths and exposed to water and humidified when in other flow paths, each structure further including a separate collector at a lower end of the at least one surface of that structure for collecting the liquid desiccant or water that has flowed across the at least one surface of the structure, said collectors being spaced apart from each other to permit airflow therebetween; and

(ii) one or more diverters for diverting a portion of the air stream that has been dehumidified to a flow path where it is exposed to water where it absorbs a portion of the water and is thereby cooled;

(b) a regenerator connected to the conditioner for receiving liquid desiccant from the collectors in the conditioner, said regenerator causing the liquid desiccant to desorb water, and returning the liquid desiccant to the conditioner;

(c) an apparatus for moving the air stream through the conditioner; and

(d) an apparatus for circulating the liquid desiccant through the conditioner and regenerator.

2. The desiccant air conditioning system of claim 1, wherein each of the plurality of structures includes a passage through which heat transfer fluid can flow, and further comprising a cold source for cooling the heat transfer fluid.

3. The desiccant air conditioning system of claim 1, wherein the structures are configured such that the air stream is exposed to liquid desiccant and water in alternating flow paths.

28

4. The desiccant air conditioning system of claim 1, wherein the one or more diverters can selectively control the amount of the air stream diverted.

5. The desiccant air conditioning system of claim 1, wherein the structures are substantially identical to each other, with each structure having opposite first and second sides, wherein the first side of each structure faces the second side of an adjacent structure.

6. The desiccant air conditioning system of claim 1, wherein the plurality of structures are secured within the conditioner in a way that permits the structures to expand or contract in a direction that is generally parallel to the thermal gradient to alleviate thermal-induced stress on the structures.

7. The desiccant air conditioning system of claim 1, further comprising a sheet of material positioned proximate to the outer surface of each structure between the liquid desiccant and the air stream or between the water and the air stream, said sheet of material guiding the liquid desiccant into a collector and permitting transfer of water vapor between the liquid desiccant and the air stream or between the water and the air stream.

8. The desiccant air conditioning system of claim 7, wherein the surface tension of the liquid desiccant or water and the sheet of material facilitate transfer of the liquid desiccant or water to a collector.

9. The desiccant air conditioning system of claim 7, wherein for each structure, a lower edge of the sheet of material is not fixedly connected to a lower portion of the structure to reduce pressure buildup of liquid desiccant or water.

10. The desiccant air conditioning system of claim 7, wherein the sheet of material comprises a membrane or a hydrophilic material.

11. The desiccant air conditioning system of claim 7, wherein the sheet of material comprises a hydrophobic micro-porous membrane.

12. The desiccant air conditioning system of claim 7, wherein the sheet of material comprises a layer of hydrophobic material and a layer of hydrophilic material between the hydrophobic material and the at least one surface of the structure.

13. The desiccant air conditioning system of claim 7, wherein each structure includes two opposite surfaces across which the liquid desiccant can flow, and wherein a sheet of material covers the liquid desiccant on each opposite surface, each sheet of material comprising an outer layer of a hydrophobic material and an inner layer of hydrophilic material, said inner layer facing one of the surfaces of the structure.

14. The desiccant air conditioning system of claim 7, further comprising one or more vent holes in the sheet of material of each structure to enable liquid desiccant or water to freely flow between the sheet of material and the structure and inhibit vacuum lock.

15. The desiccant air conditioning system of claim 1, wherein said plurality of structures comprises a plurality of plate assemblies arranged in a substantially vertical orientation and spaced apart to permit flow of the air stream between adjacent plate assemblies.

16. The desiccant air conditioning system of claim 15, wherein each plate assembly includes a convoluted plate.

17. The desiccant air conditioning system of claim 1, wherein the plurality of structures comprises a plurality of tubular members arranged in a substantially vertical orientation, at least some of which include an annular passage

29

through which the liquid desiccant can flow and a central passage surrounded by the annular passage through which the air stream can flow.

18. The desiccant air conditioning system of claim 1, further comprising an apparatus for causing turbulence in the air stream flowing through or between the structures in the conditioner.

19. The desiccant air conditioning system of claim 1, wherein each structure comprises a thermally conductive plastic material.

20. The desiccant air conditioning system of claim 1, further comprising a tank connected to the conditioner for storing the liquid desiccant used in the conditioner, wherein the liquid desiccant varies in concentration along the height of the tank, and further comprising a mechanism for drawing liquid desiccant from the tank at different selected heights of the tank in order to obtain liquid desiccant having a given concentration.

21. The desiccant air conditioning system of claim 1, wherein the regenerator includes a plurality of structures arranged in a substantially vertical orientation, each structure having at least one surface across which the liquid desiccant can flow, wherein the air stream flows through or between the structures causing the liquid desiccant to desorb water, each structure further includes a desiccant collector at a lower end of the structure for collecting liquid desiccant that has flowed across the at least one surface of the structure.

22. The desiccant air conditioning system of claim 21, further comprising a heat source for heating the liquid desiccant.

23. The desiccant air conditioning system of claim 21, wherein each of the plurality of structures in the regenerator includes a passage through which heat transfer fluid can flow, and further comprising a heat source for heating the heat transfer fluid.

24. The desiccant air conditioning system of claim 23, wherein the liquid desiccant and the heat transfer fluid flow in generally opposite directions in the regenerator.

25. The desiccant air conditioning system of claim 21, wherein the plurality of structures are secured within the regenerator in a way that permits the structures to expand or contract in a direction that is generally parallel to the thermal gradient to alleviate thermal-induced stress on the structures.

26. The desiccant air conditioning system of claim 21, further comprising a sheet of material positioned proximate to the at least one surface of each structure in the regenerator between the liquid desiccant and the air stream, said sheet of material guiding the liquid desiccant into a desiccant collector and permitting transfer of water vapor between the liquid desiccant and the air stream.

27. The desiccant air conditioning system of claim 26, wherein the surface tension of the liquid desiccant and properties of the sheet of material facilitate transfer of the liquid desiccant to a desiccant collector.

28. The desiccant air conditioning system of claim 26, wherein in each structure, a lower edge of the sheet of material is not fixedly connected to a lower portion of the structure to reduce pressure buildup of liquid desiccant.

29. The desiccant air conditioning system of claim 26, wherein the sheet of material comprises a membrane or a hydrophilic material.

30. The desiccant air conditioning system of claim 26, wherein the sheet of material comprises a hydrophobic micro-porous membrane.

31. The desiccant air conditioning system of claim 26, wherein the sheet of material comprises a layer of hydro-

30

phobic material and a layer of hydrophilic material between the hydrophobic material and the at least one surface of the structure.

32. The desiccant air conditioning system of claim 26, wherein each structure includes two opposite surfaces across which the liquid desiccant can flow, and wherein a sheet of material covers the liquid desiccant on each opposite surface, each sheet of material comprising an outer layer of a hydrophobic material and an inner layer of hydrophilic material.

33. The desiccant air conditioning system of claim 32, wherein each structure includes an internal passage through which a heat transfer fluid can flow for transfer of heat between the heat transfer fluid and the liquid desiccant or the air stream.

34. The desiccant air conditioning system of claim 26, further comprising one or more vent holes in the sheet of material of each structure to enable liquid desiccant to freely flow between the sheet of material and the at least one surface of the structure and inhibit vacuum lock.

35. The desiccant air conditioning system of claim 21, wherein said plurality of structures in the regenerator comprises a plurality of plate assemblies arranged in a substantially vertical orientation and spaced apart to permit flow of the air stream between adjacent plate assemblies.

36. The desiccant air conditioning system of claim 21, wherein each plate assembly includes a convoluted plate.

37. The desiccant air conditioning system of claim 21, wherein the plurality of structures in the regenerator comprises a plurality of tubular members arranged in a substantially vertical orientation, at least some of which include an annular passage through which the liquid desiccant can flow and a central passage surrounded by the annular passage through which the air stream can flow.

38. The desiccant air conditioning system of claim 21, wherein the plurality of structures comprises a plurality of sets of structures, said sets of structures being vertically stacked to further treat the air stream or being horizontally stacked to increase capacity of the desiccant air conditioning system.

39. The desiccant air conditioning system of claim 1, further comprising a photovoltaic-thermal (PVT) module connected to the conditioner and the regenerator for heating liquid desiccant to be introduced in the regenerator in the warm weather operation mode and for heating liquid desiccant to be introduced in the generator in the cold weather operation mode, the photovoltaic thermal module also including one or more photovoltaic cells for generating electrical power used in operating the desiccant air conditioning system.

40. The desiccant air conditioning system of claim 1, wherein the air stream entering the building space flows in a generally horizontal direction through the conditioner and a return air stream from the building space or outdoor air flows in a generally horizontal direction through the regenerator.

41. The desiccant air conditioning system of claim 1, wherein the air stream entering the building space flows in a generally vertical direction through the conditioner and a return air stream from the building space or outdoor air flows in a generally vertical direction through the regenerator.

42. The desiccant air conditioning system of claim 1, wherein the regenerator and the conditioner are physically separated to form a split air conditioning system.

43. The desiccant air conditioning system of claim 1,
wherein the system is installable in a vehicle.

* * * * *