



SUPERIOR FORMING SOLUTIONS, LLC
Super-Form™
Range of Forming Systems

The Super-Form™ Bracket Forming System



• S A F E R • F A S T E R • S U S T A I N A B L E

Distributed by: **Superior Forming Solutions, LLC**

t: 307 263 3028 e: sales@super-form.com w: www.super-form.com
1309 Coffeen Avenue, Suite 16858, Sheridan, Wyoming 82801



SUPERIOR FORMING SOLUTIONS, LLC

Super-Form™ Bracket System

The Super-Form™ Bracket System

Slots at 6" spacings allow bracket to be used as brace and filler panel for Symons Steel Ply

Tie Bar holes if required

No Bolts required

Attach multiple props with simple Clevis Pins

Adjustable Push Pull Props allow Post Pour alignment With an option to add additional props for single sided work

4 Base sizes allow you to fix down using concrete bolts wood screws or road pins

Pull Clevis Pin which allows prop to fold into upright the Bracket then folds flat for Storage & Transport

Attach handrails or combisafe panels

Super Strong Channel Design
Zinc Coated for long life
No Painting or Maintenance

4 standard uprights sizes of 16" / 28 / 40" & 71" which can be combined to over 12'

Plywood fixing holes allow for plywood to be attached from behind for a superior finish



Bases can have 2 or 4 pin brace attachments fitted which allows fixing to grade or earth

Copyright Superior Forming Solutions LLC, Patent Pending

• S A F E R • F A S T E R • S U S T A I N A B L E

Distributed by: **Superior Forming Solutions, LLC**

t: 307 263 3028 e: sales@super-form.com w: www.super-form.com
1309 Coffeen Avenue, Suite 16858, Sheridan, Wyoming 82801



SUPERIOR FORMING SOLUTIONS, LLC
S u p e r - F o r m T M
B r a c k e t S y s t e m

MAIN FEATURES

THE STRONGEST, FASTEST & MOST FLEXIBLE FORMING SYSTEM ON THE MARKET

THE PERFECT ADDITION TO THE SYMONS STEEL PLY SYSTEM

MULTIPLE USES, CAN BE USED AS A FORMWORK SYSTEM ON ITS OWN OR AS AN ADJUSTABLE PROP FOR LUMBER FORMS OR AS A FILLER PANEL AND ADJUSTBLE BRACE WITH SYMONS STEEL PLY, REMOVING THE NEED FOR SNAP TIES

NO BOLTS, SIMPLE CLEVIS PINS WITH CLIPS, SO NO TOOLS NEEDED

FOLDS FLAT FOR STORAGE & FOR LOW COST TRANSPORTATION

ADJUSTABLE PUSH PULL PROP ALLOWS PRE & POST POUR ADJUSTMENT

COMES IN 4 HANDY BRACKET SIZES 16" / 28" / 40" & 71"
BUT CAN BE JOINED TO MAKE 14 HEIGHTS to 12' HIGH

4 BASES SIZES 3" / 9" / 17" & 34"

BASE & UPRIGHTS ARE ALL INTERCHANGEABLE AND SO OFFER HUNDREDS OF COMBINATIONS FOR ANY TYPE OF CONCRETE POUR OR GROUND CONDITION

POUR STRAIGHT OR RADIUS SLABS, BASES, WALLS & SHEET PILE CAPPING BEAMS

BETTER FINISH THAN MOST SYSTEMS, LIGHTER AND MORE FLEXIBLE

STRONG 3/16 " THICK ZINC COATED CHANNEL DESIGN, WONT RUST

ABILITY TO ADD RE-USABLE TIE BARS FOR BEAMS AND WALL POURS

EASILY ATTACH SAFETY HANDRAILS ON SLAB EDGE POURS

FIX BASES DOWN WITH CONCRETE BOLTS / WOOD SCREWS OR ROAD PINS

CUTS CARBON USE BY UP TO 80%, CUTS WASTAGE AND LUMBER USE

60% LABOR & COST SAVINGS vs LUMBER FORMWORK OVERALL

USA DEALERS WANTED PLEASE ASK ABOUT OPPORTUNITIES

• S A F E R • F A S T E R • S U S T A I N A B L E

Distributed by: **Superior Forming Solutions, LLC**

t: 307 263 3028 e: sales@super-form.com w: www.super-form.com
1309 Coffeen Avenue, Suite 16858, Sheridan, Wyoming 82801

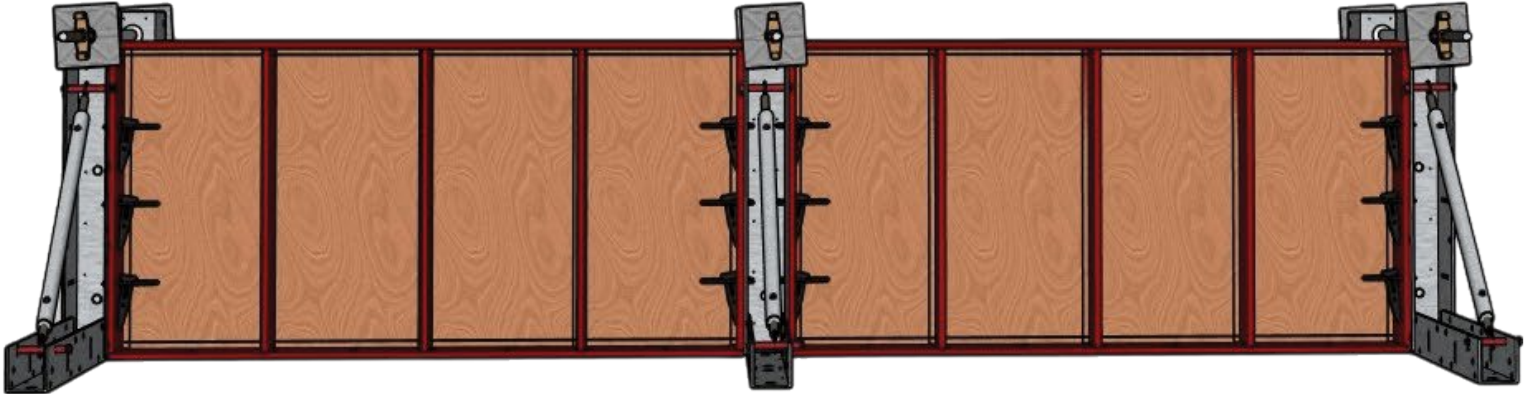


SUPERIOR FORMING SOLUTIONS, LLC

Super-Form™ Bracket System

MAIN USES

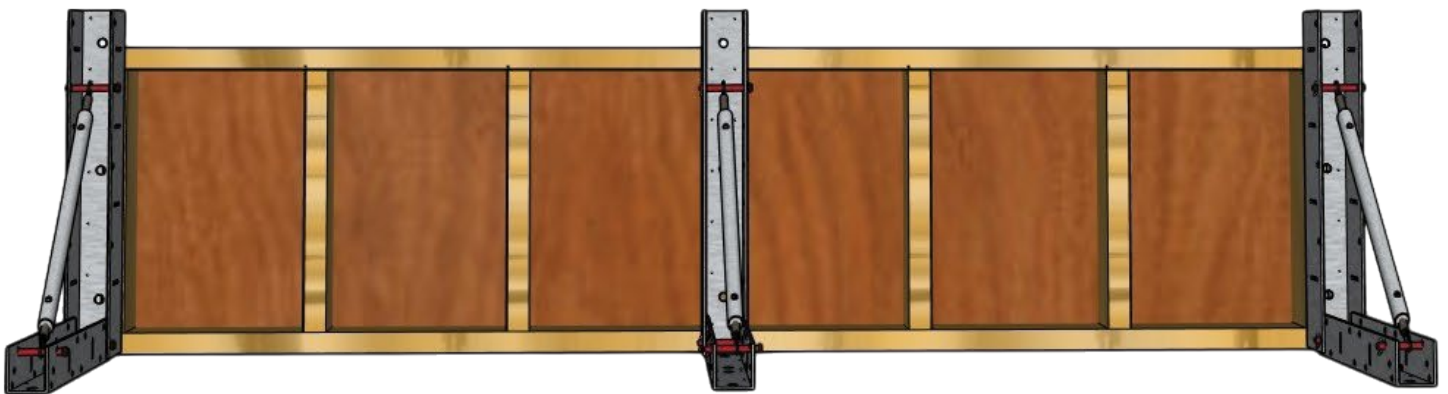
With Symons Steelply, can be used at up to 5' on centre (option to add tiebars & handrails)
Stronger, no uplift or movement, adjustable propping and no snap ties needed!



On its own at 20.5" ON CENTRE, simply fix down, plumb up and add ply & pour concrete
NO Forms to make! Faster than lumber forms with time & cost savings of 60%



Works with lumber forms at up to 4' on centre (option to add tie bars & handrails)
allows post pour alignment, stops uplift and faster & more efficient than lumber props



Copyright Superior Forming Solutions LLC, Patent Pending

• S A F E R • F A S T E R • S U S T A I N A B L E

Distributed by: **Superior Forming Solutions, LLC**

t: 307 263 3028 e: sales@super-form.com w: www.super-form.com
1309 Coffeen Avenue, Suite 16858, Sheridan, Wyoming 82801



SUPERIOR FORMING SOLUTIONS, LLC

Super-Form™ Bracket System



Superior Forming Solutions LLC
Formwork Made In The USA

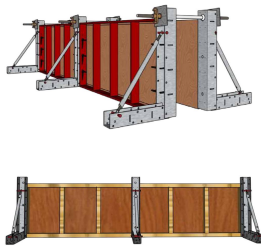
Tel: 0307 263 3028 E: sales@super-form.com
www.super-form.com



Super-Form™ Bracket System Uses

Bases, pile caps, Radius & Irregular shapes

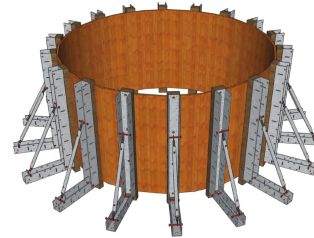
Works with Steel Ply
and Lumber Forms



Works on its own
Fix Down, Add Ply & Pour!



Cast any shape
Radius or irregular

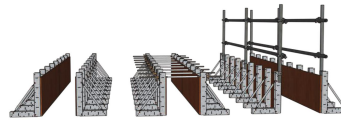


Slab edge, Beams & Complex shapes

Optional Handrails
Tubes / 2 x 4 & more



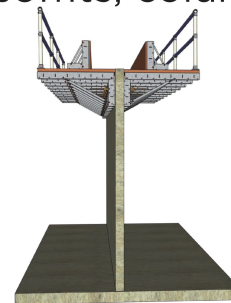
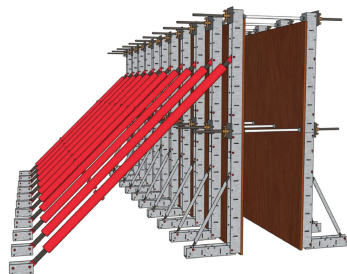
Optional re-usable Tiebars
Not needed below 4 feet



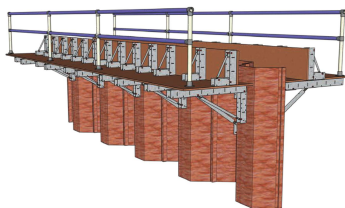
Fits together for
complex pours



Walls, double & single sided, soffits, column heads



Double & single sided sheet capping beams complete



• S A F E R • F A S T E R • S U S T A I N A B L E

Distributed by: **Superior Forming Solutions, LLC**

t: 307 263 3028 e: sales@super-form.com w: www.super-form.com
1309 Coffeen Avenue, Suite 16858, Sheridan, Wyoming 82801



SUPERIOR FORMING SOLUTIONS, LLC
Super-Form™
Bracket System

X Large Upright 70"
 (71" when on base)

UPRIGHTS

Just 8 main components

4 base sizes (Optional Pin Braces)

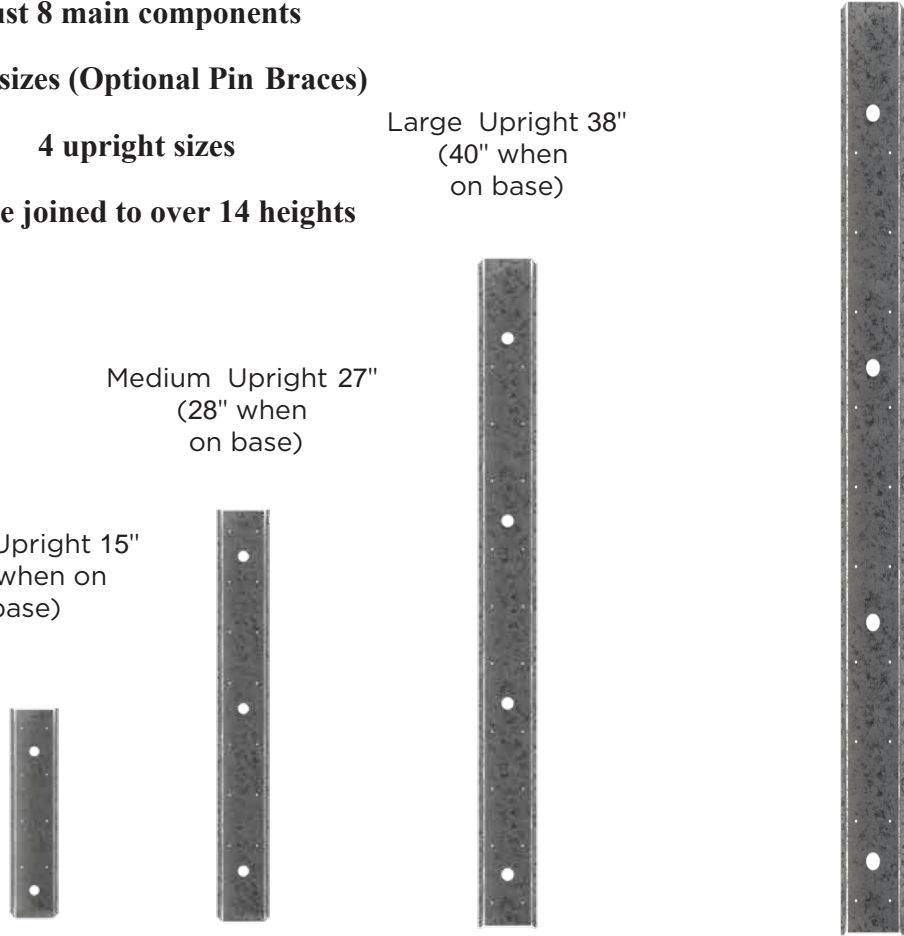
4 upright sizes

Large Upright 38"
 (40" when on base)

Can be joined to over 14 heights

Medium Upright 27"
 (28" when on base)

Small Upright 15"
 (16" when on base)



STANDARD SIZES:

Description	Inches
Small	16"
Medium	28"
Large	40"
X large	71"

JOINED SIZES:

Description	Inches
Small/Small	16"
Small/Med	42"
Small/Large	54"
Small/X Large	87"
Med/Small	40"
Med/Med	55"
Med/Large	66"
Med/X Large	99"
Large/Small	54"
Large/Med	66"
Large/Large	78"
Large/X Large	110"
X large/Small	75"
X large/Med	99"
X large/Large	110"
X large/ XL	143"

Joined brackets may need additional props.



Small base just 85mm fits inside upright channel for tight spaces and wall applications

Medium Base 230mm (Left) with optional pin brace attachments shown (Right)

Large Base 420mm (Left) with optional pin brace attachments shown (Right)

X Large Base 800mm (Left) with up to 8 optional pin brace attachments NOT SHOWN

Medium



Large



• S A F E R • F A S T E R • S U S T A I N A B L E

Distributed by: **Superior Forming Solutions, LLC**

t: 307 263 3028 e: sales@super-form.com w: www.super-form.com
 1309 Coffeen Avenue, Suite 16858, Sheridan, Wyoming 82801



SUPERIOR FORMING SOLUTIONS, LLC
S u p e r - F o r m TM
B r a c k e t S y s t e m

MUTIPLE CONFIGURATIONS

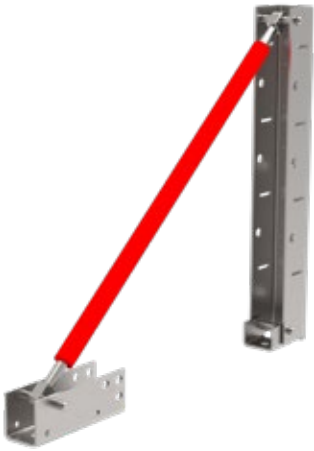
Fix down with concrete bolts, wood screws or road pins or add additional pin brace attachments

BASE EXAMPLES

Small bases just 3”
 can be used on all
 uprights with detached prop

Medium bases just 9”
 used on Small & Medium
 brackets as standard

Large bases just 16”
 used on Medium & Large
 brackets as standard



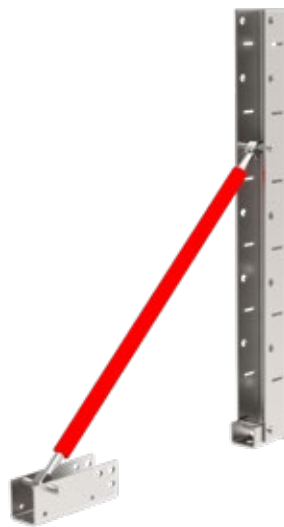
CONFIGURATION EXAMPLES

Option to add additional
 pin brace attachments
 2 or 4 per bracket
 Ideal for compacted ground

Option to use
 Medium base with a
 detached base
 with pin braces

Option to use
 Small base
 with detached
 base & prop

Option to join Uprights
 (2 x Large uprights shown)
 Ability to detach bases
 and use additional props shown



Copyright Superior Forming Solutions LLC, Patent Pending

• S A F E R • F A S T E R • S U S T A I N A B L E

Distributed by: **Superior Forming Solutions, LLC**

t: 307 263 3028 e: sales@super-form.com w: www.super-form.com
 1309 Coffeen Avenue, Suite 16858, Sheridan, Wyoming 82801



SUPERIOR FORMING SOLUTIONS, LLC
Super-Form™
Bracket System
STANDARD BRACKETS

Small bracket
16" (H) x 9" (D)
(Medium base)

Medium bracket
28" (H) x 9" (D)
(Medium base)

Large bracket
40" (H) x 17" (D)
(Large base)

X Large bracket
71" (H) x 34" (D) (X)
Large base)



TRANSPORTATION

Brackets fold flat for transport
Small / Medium & Large shown



Stillage packed for Delivery



Copyright Superior Forming Solutions LLC, Patent Pending

• S A F E R • F A S T E R • S U S T A I N A B L E

Distributed by: **Superior Forming Solutions, LLC**

t: 307 263 3028 e: sales@super-form.com w: www.super-form.com
1309 Coffeen Avenue, Suite 16858, Sheridan, Wyoming 82801



SUPERIOR FORMING SOLUTIONS, LLC

Super - Form™ Bracket System

Super - Form™ in Use



**On its own for Single Sided work 6 feet high
Used as Shoring Prop on Lumber Forms
From 16" to 12 feet high theres nothing
Super-Form cant handle**



• S A F E R • F A S T E R • S U S T A I N A B L E

Distributed by: **Superior Forming Solutions, LLC**

3028 e: sales@super-form.com w: www.super-form.com
1309 Coffeen Avenue, Suite 16858, Sheridan, Wyoming 82801