



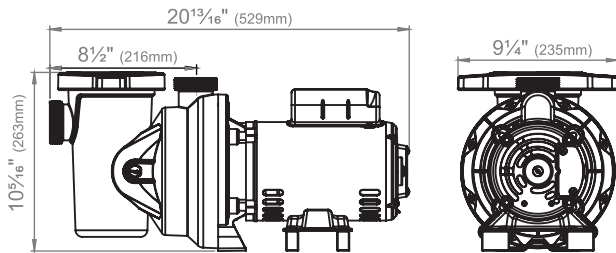
swimming pool
EQUIPMENTS



SEASTAR

HydraFLOW 75 / 100

Self-priming pumps $\frac{3}{4}$ HP / 1HP



Features:

- Open Drip Proof - ODP
- Induction Squirrel cage motor.
- Advanced hydraulic design.
- Pump housing and impeller made of high reinforced plastic.
- Voltage: 115VCA -230VCA Selectable - 60Hz.
- One Year warranty.
- 1 per case.

Ergonomic lid handles with quick-release quarter turn 4-point locking lid.



High resistance, self-aligning PP strainer basket.

High efficiency design.

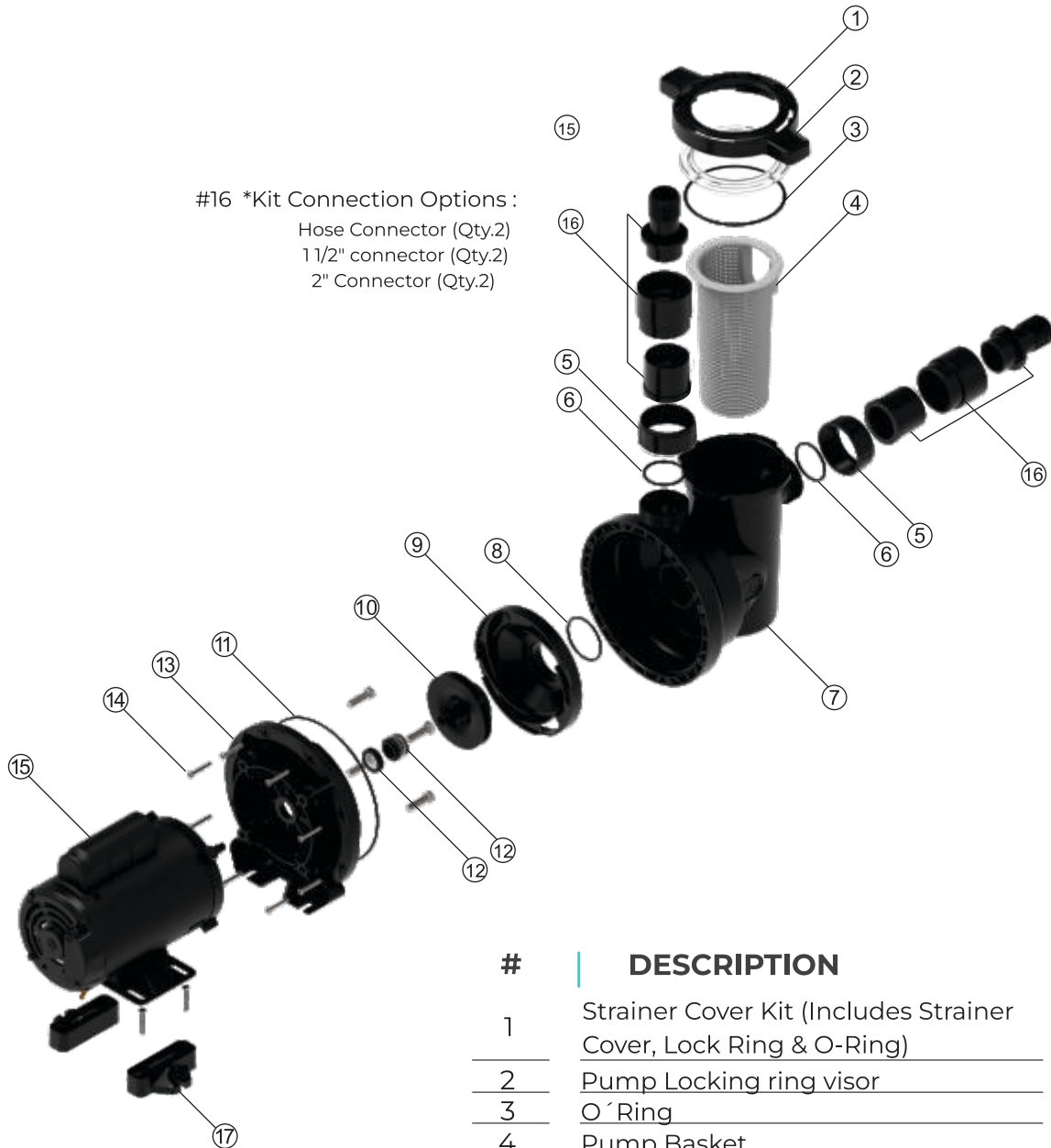


D= 2" and 1 $\frac{1}{2}$ " adapters supplied.



Two 1.5" Hose connector included

PUMP REPLACEMENT PARTS



#16 *Kit Connection Options :
 Hose Connector (Qty.2)
 1 1/2" connector (Qty.2)
 2" Connector (Qty.2)

#	DESCRIPTION	CODE
1	Strainer Cover Kit (Includes Strainer Cover, Lock Ring & O-Ring)	5200002
2	Pump Locking ring visor	5200003
3	O´Ring	5210009
4	Pump Basket	5200004
5	Nut (Qty. 2)	5200005
6	O´Ring #223 (Qty. 2)	52000096
7	Body	5200011
8	O´Ring #222	52000196
9	Difuser	5200007
10	Impeller	5200012/13
11	O´Ring	5220009
12	Seal, ceramic	5200014
13	Seal plate	5200015
14	Screws (Qty.16)	5100001
15	Pump motor	5200000
16	Kit Connection Options * (Qty. 6)	12002060
17	Base (Qty. 2)	5200016



SEASTAR

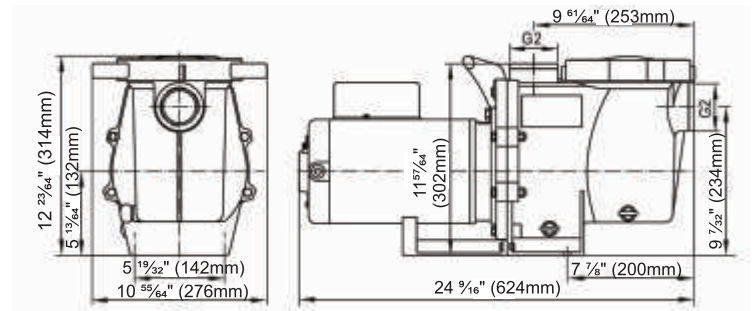
HydraFlow 150

1.5 HP



Features:

- Standard dimensions.
- Stainless Steel inlet and outlet reinforcements.
- One-piece handle, easier to carry and install.



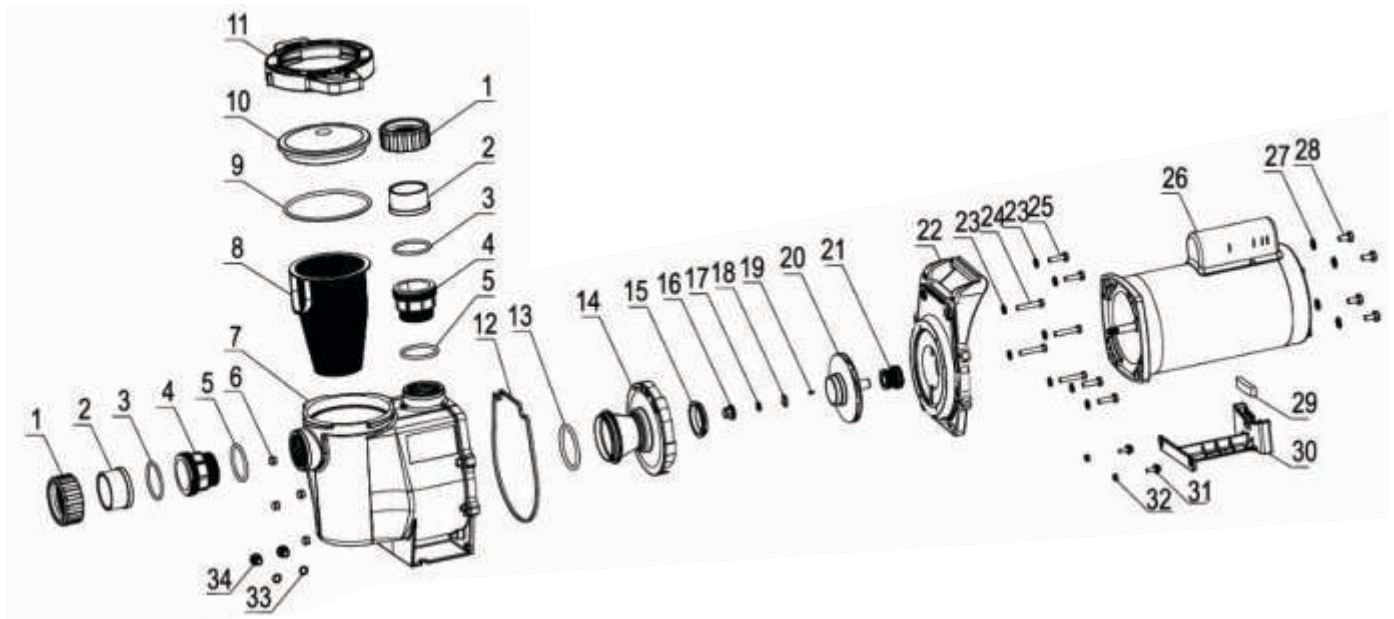
Stainless Steel Rings
on discharge and
intake ports



Reducer Union

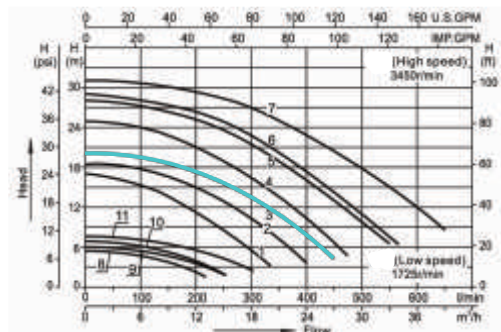
Model	(V)	(Hz)	(Amps)	Fitting Size	Hmax (ft)	Qmax (gal/min)	Power		G.W (lbs)
							Kw	HP	
Hydraflow 150	110/220-230	60	13.8 /6.9 - 6.6	2"	68.9	113.6	1.1	1.5	46.3

PUMP REPLACEMENT PARTS



#	DESCRIPTION	#	DESCRIPTION
1	Tie-in Nut	18	O` Ring
2	Tie	19	Flat key
3	O` Ring	20	Impeller
4	Transition Union	21	Mechanical seal
5	O` Ring	22	Difusser
6	Acorn nut	23	Washer
7	Pump Casing	24	Hexagon bolt
8	Filter	25	Hexagon bolt
9	O` Ring	26	Motor
10	Transparent Cover	27	Washer
11	Gland cover of transparent cover	28	Hexagon bolt
12	Gasket	29	Plastic strips
13	O` Ring	30	Base
14	Guide vane assembly	31	Hexagon head bolt and plain washer assy.
15	Impeller activity ring	32	Hexagon nut
16	Impeller nut	33	O` Ring
17	Spring washer	34	Plug

PERFORMANCE CURVE #3

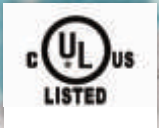




SEASTAR

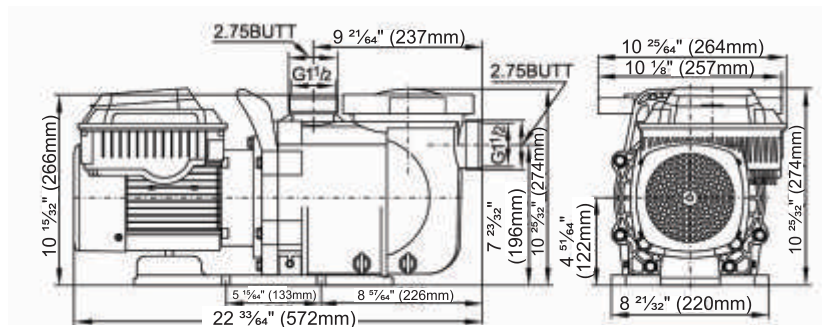
HydraFlow 220 VSP

Variable Speed Pump 2.2HP



Features:

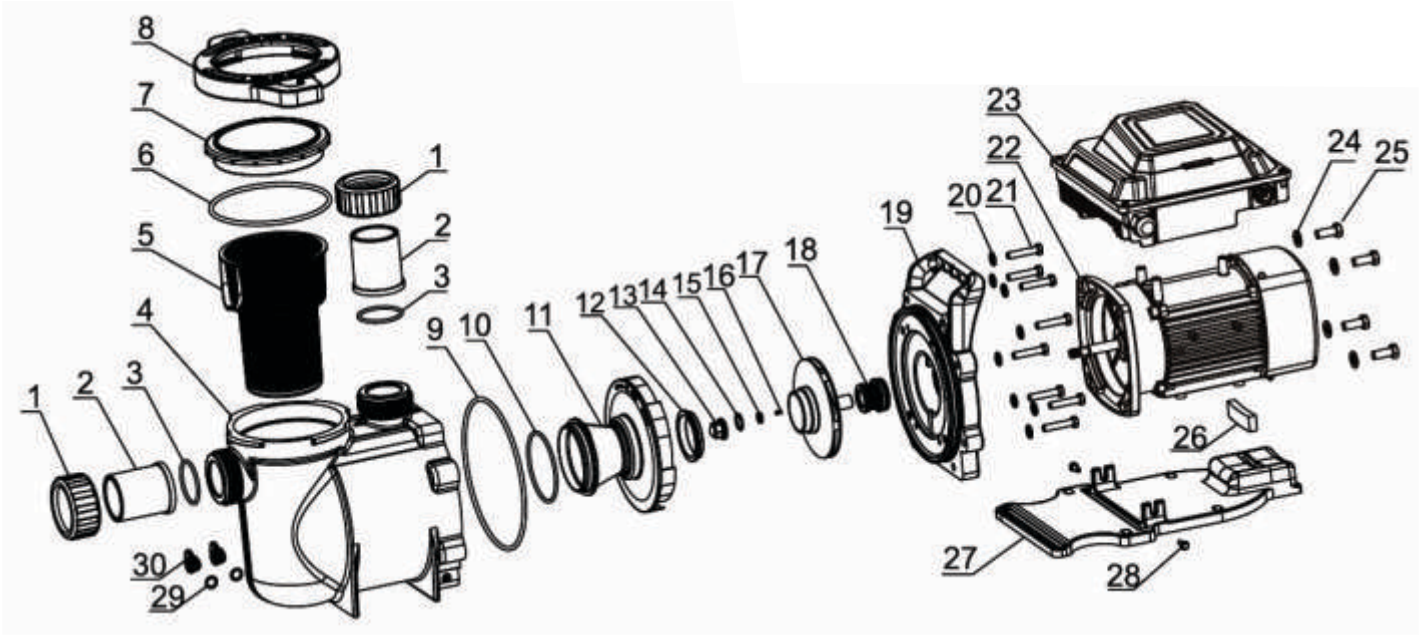
- V/F Speed Control: Precise regulation via a cell phone app or display keypad. The unit features a rotatable design for flexible installation.
- Dual Operating Modes: Select between Manual (default) or Automatic modes.
- Customizable Speeds: * Presets: 3000, 1400, and 2200 RPM. Range: Fully adjustable between 450–3450 RPM.
- Remote Operation: Supports control via external keyboard or RS485 communication (one at a time).
- Efficiency & Safety: Energy-saving design with built-in electronic protection.



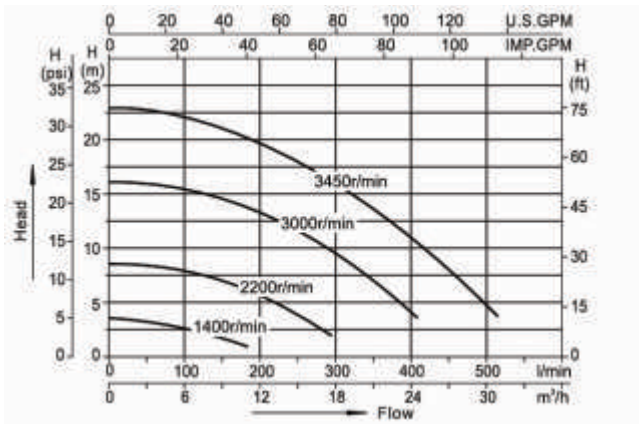
2"

Model	(V)	(Hz)	(THP)	(Amps)	(WEF)	Hmax (ft)	Qmax (gal/min)	Fitting Size (inches)	G.W (lbs)
Hydraflow220 VSP	110 110/220-230	50/60	2.2	14.43 14.43/8.03 -7.40	8.8	75.4	134.7	2"	39.7

PUMP REPLACEMENT PARTS



PERFORMANCE CURVE



DESCRIPTION

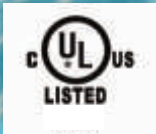
1	Tie-in Nut
2	Tie
3	O´ Ring
4	Pump Casing
5	Filter
6	O´ Ring
7	Transparent Cover
8	Gland cover of transparent cover
9	O´ Ring
10	O´ Ring
11	Guide vane Assembly
12	Activities Ring
13	Impeller Nut
14	O´ Ring
15	Spring washer
16	Flat Key
17	Impeller
18	Mechanical seal
19	Pump Cover
20	Washer
21	Hexagon bolt
22	Motor
23	Controller
24	Washer
25	Hexagon bolt
26	Plastic strips
27	Base
28	Hexagon head bolt and plain washer assy.
29	O´ Ring
30	Plug



SEASTAR

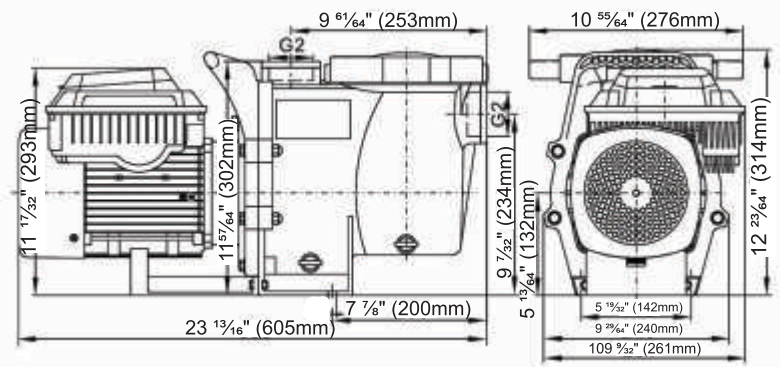
HydraFlow 390 VSP

Variable Speed Pump 3.9 HP



Features:

- V/F Speed Control: Features a V/F mode controller for precise speed management. Includes an optional cell phone app or display keypad and a rotatable installation design.
- Dual Modes: Offers Manual (factory default) and Automatic operating modes.
- Speed Settings: * Automatic Presets: 3000, 1400, and 2200 RPM. Custom Range: Fully adjustable between 450–3450 RPM.
- Manual Control: Allows users to select and modify speed.
- Remote Operation: Can be controlled via cell phone app or RS485 communication (one method at a time).
- Efficiency & Safety: Energy-efficient design with integrated electronic protection.



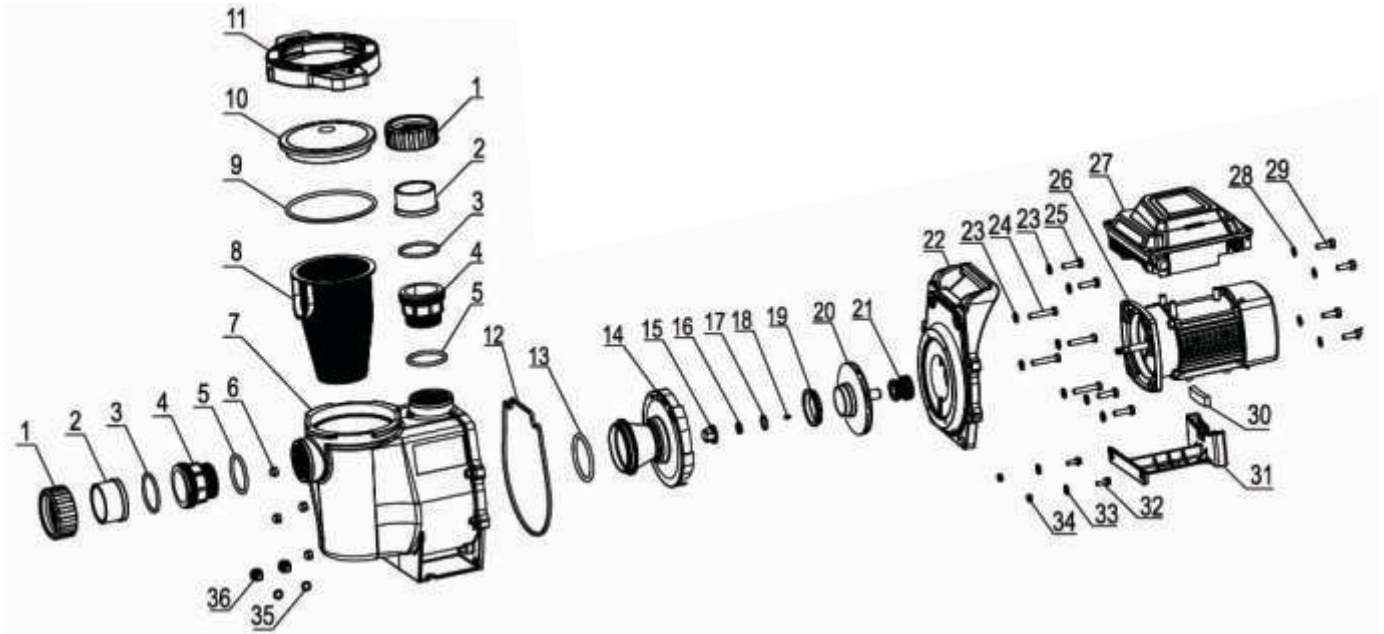
Stainless Steel Rings on discharge and intake ports



Reducer Union

Model	(V)	(Hz)	(THP)	(Amps)	(WEF)	Hmax (ft)	Qmax (gal/min)	Fitting Size (inches)	G.W (lbs)
Hydraflow 390 VSP	220	50/60	3.9	13.59	7.3	88.6	171.7	2"	52.03

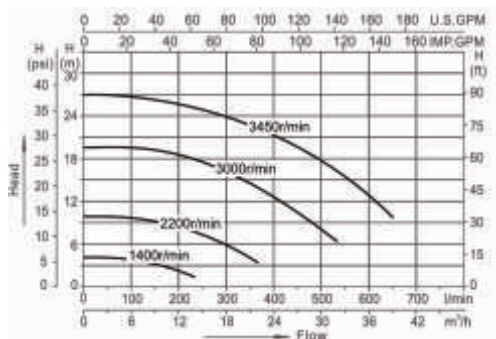
PUMP REPLACEMENT PARTS



#	DESCRIPTION
1	Tie-in Nut
2	Tie
3	O´Ring
4	Transition Union
5	O´Ring
6	Acorn nut
7	Pump Casing
8	Filter
9	O´Ring
10	Transparent Cover
11	Gland cover of transparent cover
12	Gasket
13	O´Ring
14	Guide vane assembly
15	Impeller nut
16	Spring washer
17	O´Ring
18	Flat key

#	DESCRIPTION
19	Activities ring
20	Impeller
21	Mechanical seal
22	Pump Cover
23	Washer
24	Hexagon screw
25	Hexagon screw
26	Motor
27	Controller
28	Washer
29	Hexagon Screw
30	Plastic Strips
31	Base
32	Hexagon screw
33	Washer
34	Hexagon nut
35	O´Ring
36	Drainage plug

PERFORMANCE CURVE





PRODUCT OVERVIEW

Intelligent Operation

- **Low Flow Automatic Shut-off Protection:** Automatically stops operation when water flow is insufficient to eliminate dry firing risks and prevent electrode damage.
- **Self-Cleaning System:** Features automatic polarity reversal to descale, reducing calcium buildup.
- **Multi-level Intelligent Adjustment:** Chlorine output adjustable from 20 to 100%, enabling low-load operation for daily maintenance and effortless handling of peak season demand.
- **BOOST Mode:** Activates high-speed chlorine production with one click to rapidly raise residual chlorine levels, easily handling water quality challenges before or after gatherings or sudden contamination events.

MODEL

HydraClor 30G PRO

Max Chlorine Production	24 g/hr
Max Pool Volume	Volume 30,000 gal
	Volume m3 120 m3
Rated Voltage	AC100-240V 50/60Hz
Maximum Input Current	2.5Amp
Maximum Power	152W
Adapter Output Voltage	24V
Adapter Output Current	6.35 Amp
Salinity	2700-4500 ppm
Water Hardness	<300ppm
Water Temperature	10-45°C/50-113°F
Ambient Temperature	<50°C/122°F
Ambient Humidity	≤90%R.H.

KEY FEATURES



Integrated Design



Touch Control Operation



Equipped with 2" connection



Real-time Salinity Detection



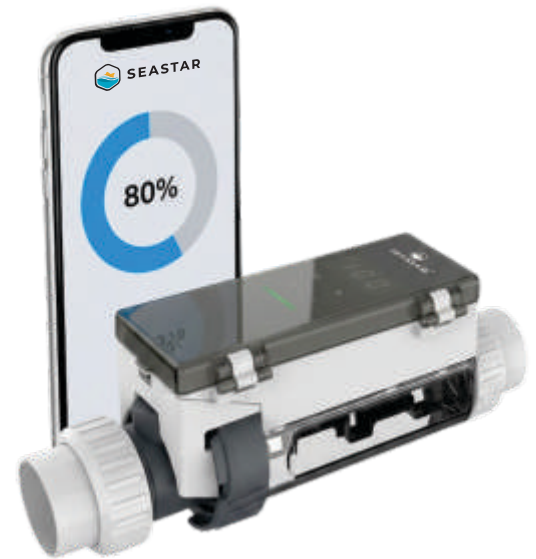
Intelligent Operation Protection



App Remote Control

Intelligent Monitoring

- **Salinity Monitoring:** Built-in high-precision algorithm for real-time display of pool water salinity.
- **Intelligent Salt Replenishment Guidance:** When salinity is low, the device not only alerts you but also automatically calculates the required amount of salt to add.
- **Water Temperature Protection Alert:** Monitors water temperature 24/7 and triggers an immediate alarm if it exceeds the optimal operating range (10°C-45°C/ 50°F-113°F), protecting core components and extending the overall system lifespan.

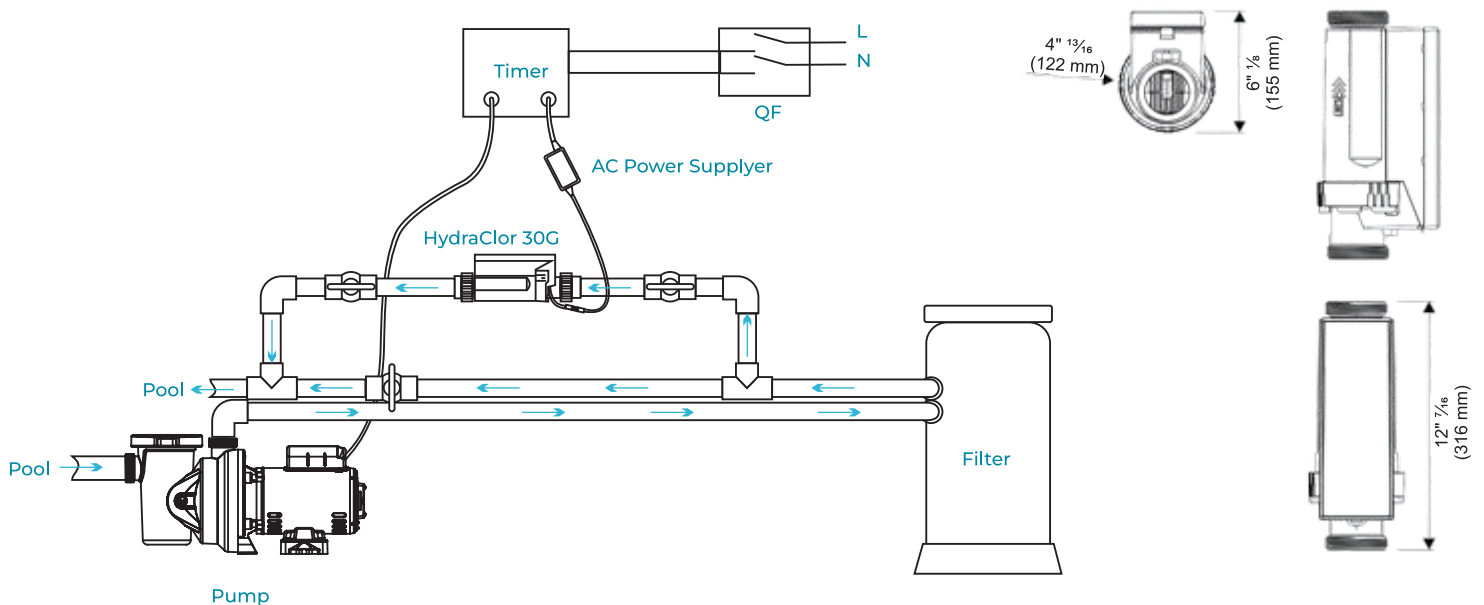


Tuya Smart App

No matter where you are, your pool's status is always at your fingertips.

- **Tuya App Remote Control:** Monitor water quality anytime via your smartphone, remotely power the device on/off, adjust chlorine output, and stay fully informed about your pool's status.
- **OTA Online Updates:** Supports remote firmware upgrades to continuously optimize functionality and user experience, keeping your device up-to-date and performing like new.
- **RS485 Communication Interface:** Enables integration with smart home or pool central control systems for centralized management.

Product Size & Installation Diagram





SEASTAR[®]

www.seastarpoolaccessories.com