



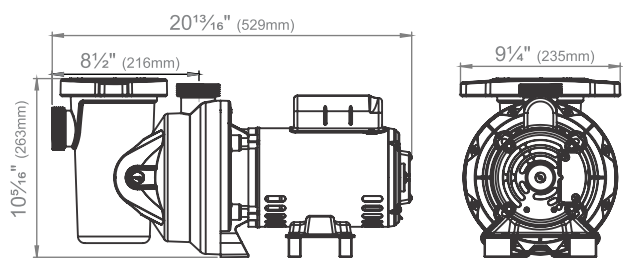
swimming pool  
**EQUIPMENT**



SEASTAR

# HydraFLOW 75 / 100

Self-priming pumps 3/4HP / 1HP



## Features:

- Open Drip Proof - ODP
- Induction Squirrel cage motor.
- Advanced hydraulic design.
- Pump housing and impeller made of high reinforced plastic.
- Voltage: 115VCA -230VCA Selectable - 60Hz.
- One Year warranty.
- 1 per case.

Ergonomic lid handles with quick-release quarter turn 4-point locking lid.



High resistance, self-aligning PP strainer basket.

High efficiency design.

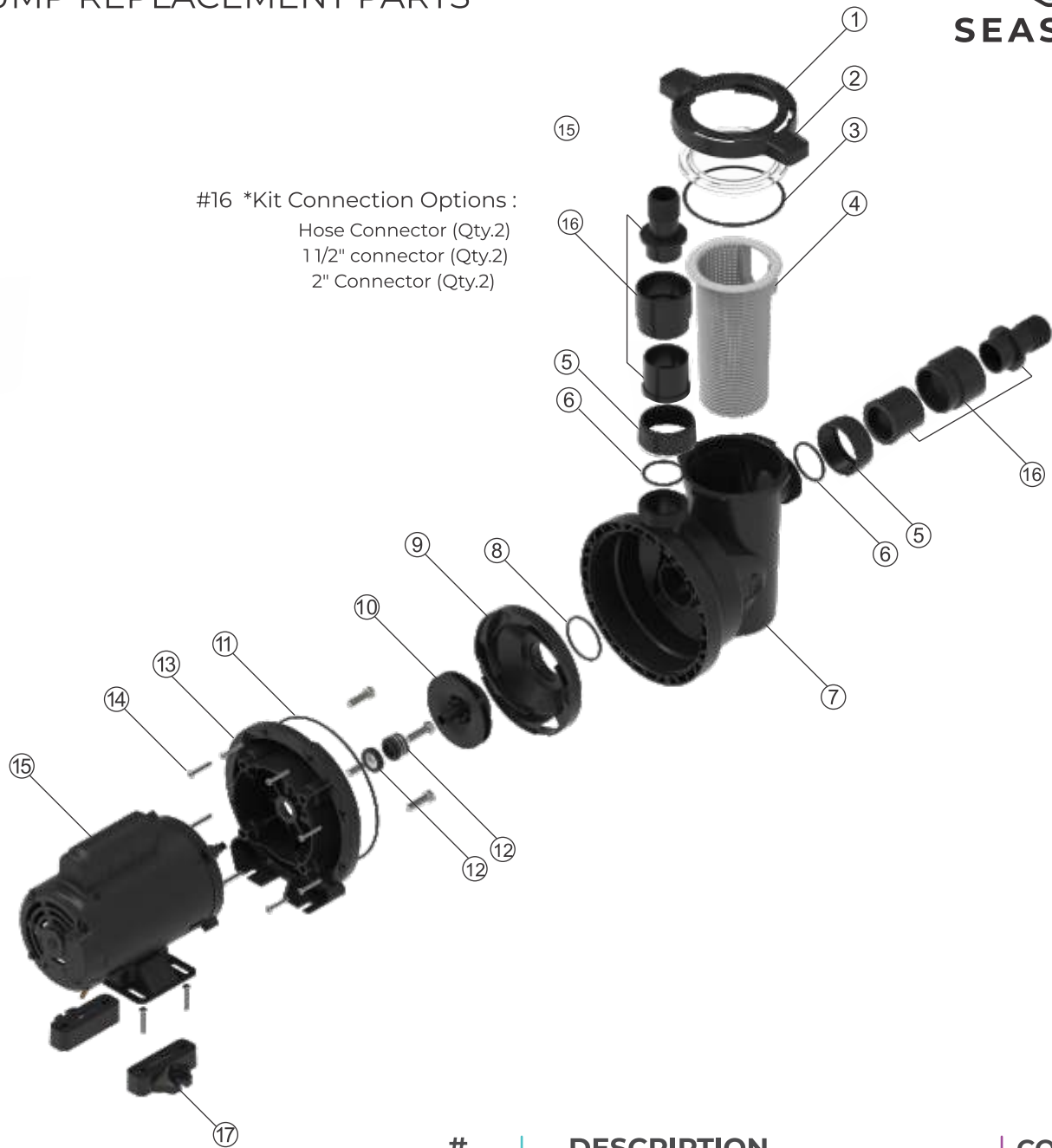


D= 2" and 1 1/2" adapters supplied.



Two 1.5" Hose connector included

# PUMP REPLACEMENT PARTS



#16 \*Kit Connection Options :  
 Hose Connector (Qty.2)  
 1 1/2" connector (Qty.2)  
 2" Connector (Qty.2)

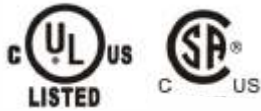
| #  | DESCRIPTION  | CODE       |
|----|--|------------|
| 1  | Strainer Cover Kit (Includes Strainer Cover, Lock Ring & O-Ring) | 5200002    |
| 2  | Pump Locking ring visor  | 5200003    |
| 3  | O´Ring   | 5210009    |
| 4  | Pump Basket  | 5200004    |
| 5  | Nut (Qty. 2)   | 5200005    |
| 6  | O´Ring #223 (Qty. 2)   | 52000096   |
| 7  | Body   | 5200011    |
| 8  | O´Ring #222  | 52000196   |
| 9  | Difuser  | 5200007    |
| 10 | Impeller   | 5200012/13 |
| 11 | O´Ring   | 5220009    |
| 12 | Seal, ceramic  | 5200014    |
| 13 | Seal plate   | 5200015    |
| 14 | Screws (Qty.16)  | 5100001    |
| 15 | Pump motor   | 5200000    |
| 16 | Kit Connection Options * (Qty. 6)                                | 12002060   |
| 17 | Base (Qty. 2)  | 5200016    |



SEASTAR

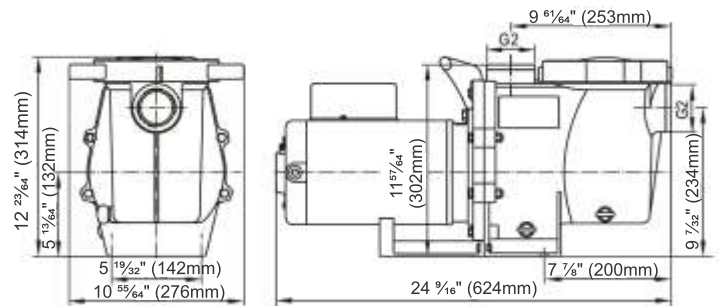
# HydraFlow 150

1.5 HP



### Features:

- Standard dimensions.
- Stainless Steel inlet and outlet reinforcements.
- One-piece handle, easier to carry and install.



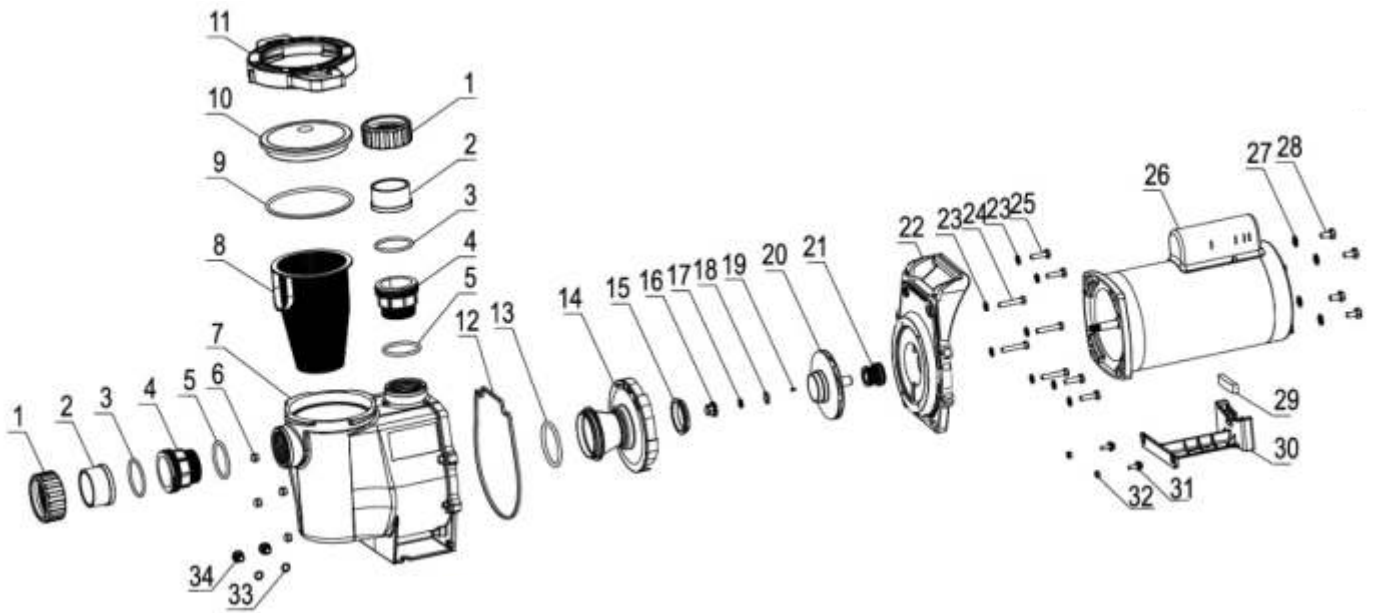
**Stainless Steel Rings**  
on discharge and  
intake ports



**Reducer Union**

| Model         | (V)         | (Hz) | (Amps)         | Fitting Size | Hmax (ft) | Qmax (gal/min) | Power Kw | HP  | G.W (lbs) |
|---------------|-------------|------|----------------|--------------|-----------|----------------|----------|-----|-----------|
| Hydraflow 150 | 110/220-230 | 60   | 13.8/6.9 - 6.6 | 2"           | 68.9      | 113.6          | 1.1      | 1.5 | 46.3      |

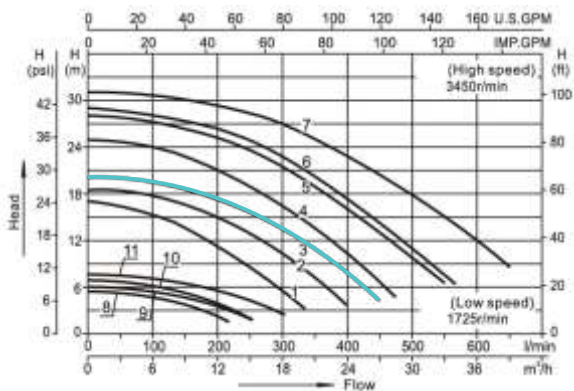
# PUMP REPLACEMENT PARTS



| #  | DESCRIPTION                      |
|----|----------------------------------|
| 1  | Tie-in Nut                       |
| 2  | Tie                              |
| 3  | O´Ring                           |
| 4  | Transition Union                 |
| 5  | O´Ring                           |
| 6  | Acorn nut                        |
| 7  | Pump Casing                      |
| 8  | Filter                           |
| 9  | O´Ring                           |
| 10 | Transparent Cover                |
| 11 | Gland cover of transparent cover |
| 12 | Gasket                           |
| 13 | O´Ring                           |
| 14 | Guide vane assembly              |
| 15 | Impeller activity ring           |
| 16 | Impeller nut                     |
| 17 | Spring washer                    |

| #  | DESCRIPTION                              |
|----|--|
| 18 | O´Ring                                   |
| 19 | Flat key                                 |
| 20 | Impeller                                 |
| 21 | Mechanical seal                          |
| 22 | Difusser                                 |
| 23 | Washer                                   |
| 24 | Hexagon bolt                             |
| 25 | Hexagon bolt                             |
| 26 | Motor                                    |
| 27 | Washer                                   |
| 28 | Hexagon bolt                             |
| 29 | Plastic strips                           |
| 30 | Base                                     |
| 31 | Hexagon head bolt and plain washer assy. |
| 32 | Hexagon nut                              |
| 33 | O´Ring                                   |
| 34 | Plug                                     |

## PERFORMANCE CURVE #3





SEASTAR

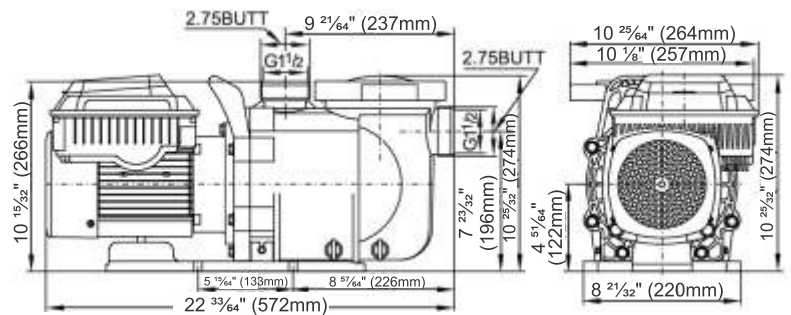
# HydraFlow 220 VSP

Variable Speed Pump 2.2HP



### Features:

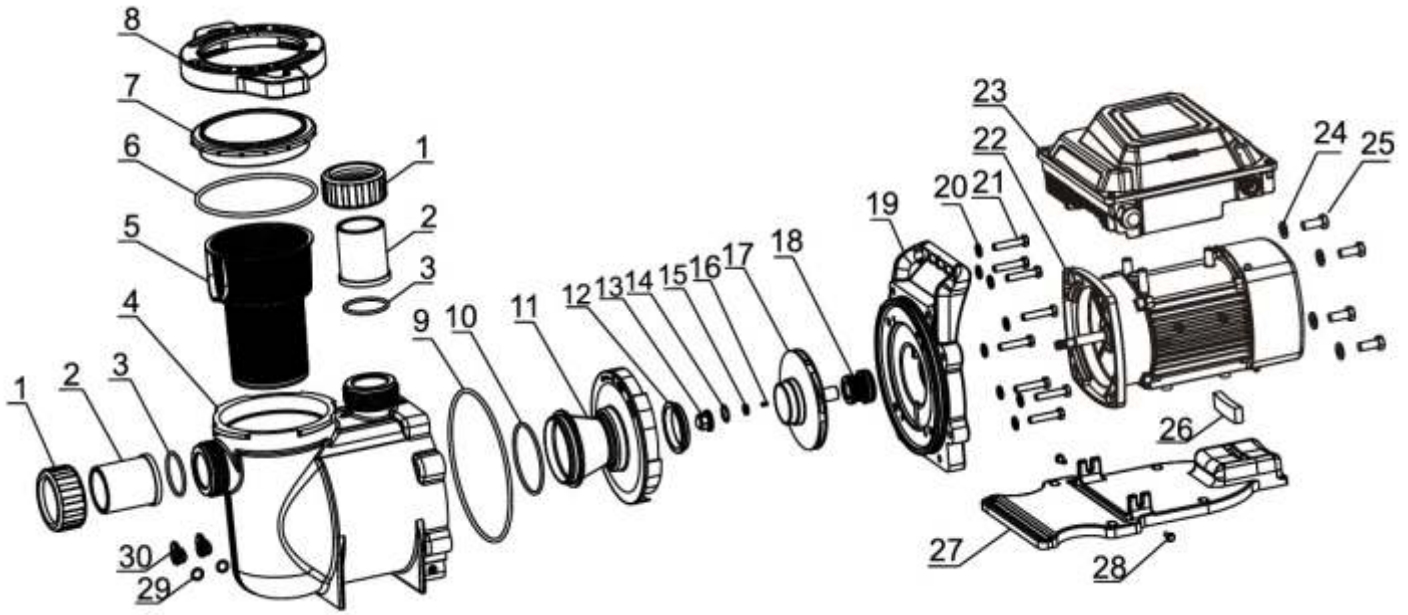
- V/F Speed Control: Precise regulation via a cell phone app or display keypad. The unit features a rotatable design for flexible installation.
- Dual Operating Modes: Select between Manual (default) or Automatic modes.
- Customizable Speeds: \* Presets: 3000, 1400, and 2200 RPM. Range: Fully adjustable between 450–3450 RPM.
- Remote Operation: Supports control via external keyboard or RS485 communication (one at a time).
- Efficiency & Safety: Energy-saving design with built-in electronic protection.



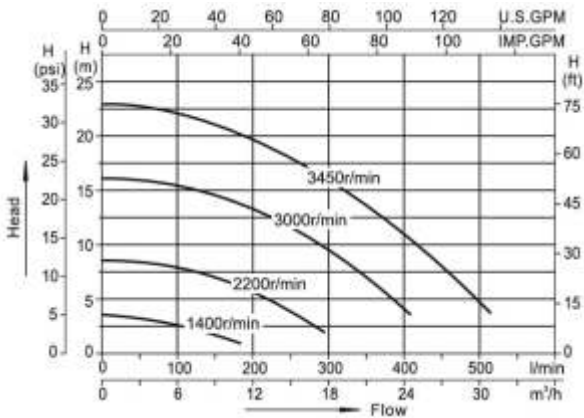
2"

| Model            | (V)                | (Hz)  | (THP) | (Amps)                    | (WEF) | Hmax (ft) | Qmax (gal/min) | Fitting Size (inches) | G.W (lbs) |
|------------------|--------------------|-------|-------|---------------------------|-------|-----------|----------------|-----------------------|-----------|
| Hydraflow220 VSP | 110<br>110/220-230 | 50/60 | 2.2   | 14.43<br>14.43/8.03 -7.40 | 8.8   | 75.4      | 134.7          | 2"                    | 39.7      |

# PUMP REPLACEMENT PARTS



## PERFORMANCE CURVE



## # DESCRIPTION

| #  | DESCRIPTION                              |
|----|--|
| 1  | Tie-in Nut                               |
| 2  | Tie                                      |
| 3  | O´ Ring                                  |
| 4  | Pump Casing                              |
| 5  | Filter                                   |
| 6  | O´ Ring                                  |
| 7  | Transparent Cover                        |
| 8  | Gland cover of transparent cover         |
| 9  | O´ Ring                                  |
| 10 | O´ Ring                                  |
| 11 | Guide vane Assembly                      |
| 12 | Activities Ring                          |
| 13 | Impeller Nut                             |
| 14 | O´ Ring                                  |
| 15 | Spring washer                            |
| 16 | Flat Key                                 |
| 17 | Impeller                                 |
| 18 | Mechanical seal                          |
| 19 | Pump Cover                               |
| 20 | Washer                                   |
| 21 | Hexagon bolt                             |
| 22 | Motor                                    |
| 23 | Controller                               |
| 24 | Washer                                   |
| 25 | Hexagon bolt                             |
| 26 | Plastic strips                           |
| 27 | Base                                     |
| 28 | Hexagon head bolt and plain washer assy. |
| 29 | O´ Ring                                  |
| 30 | Plug                                     |



SEASTAR

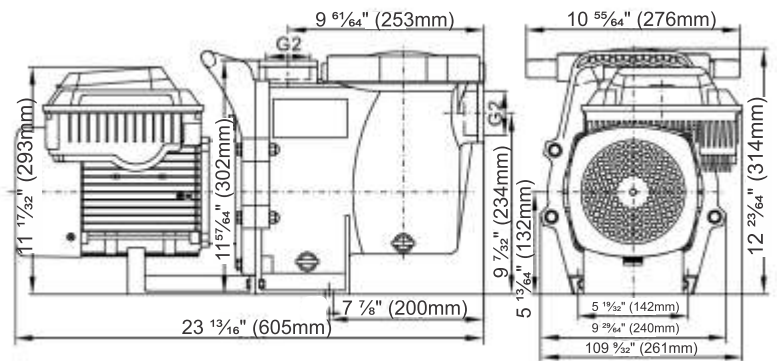
# HydraFlow 390 VSP

Variable Speed Pump 3.9 HP



### Features:

- V/F Speed Control: Features a V/F mode controller for precise speed management. Includes an optional cell phone app or display keypad and a rotatable installation design.
- Dual Modes: Offers Manual (factory default) and Automatic operating modes.
- Speed Settings: \* Automatic Presets: 3000, 1400, and 2200 RPM. Custom Range: Fully adjustable between 450–3450 RPM.
- Manual Control: Allows users to select and modify speed.
- Remote Operation: Can be controlled via cell phone app or RS485 communication (one method at a time).
- Efficiency & Safety: Energy-efficient design with integrated electronic protection.



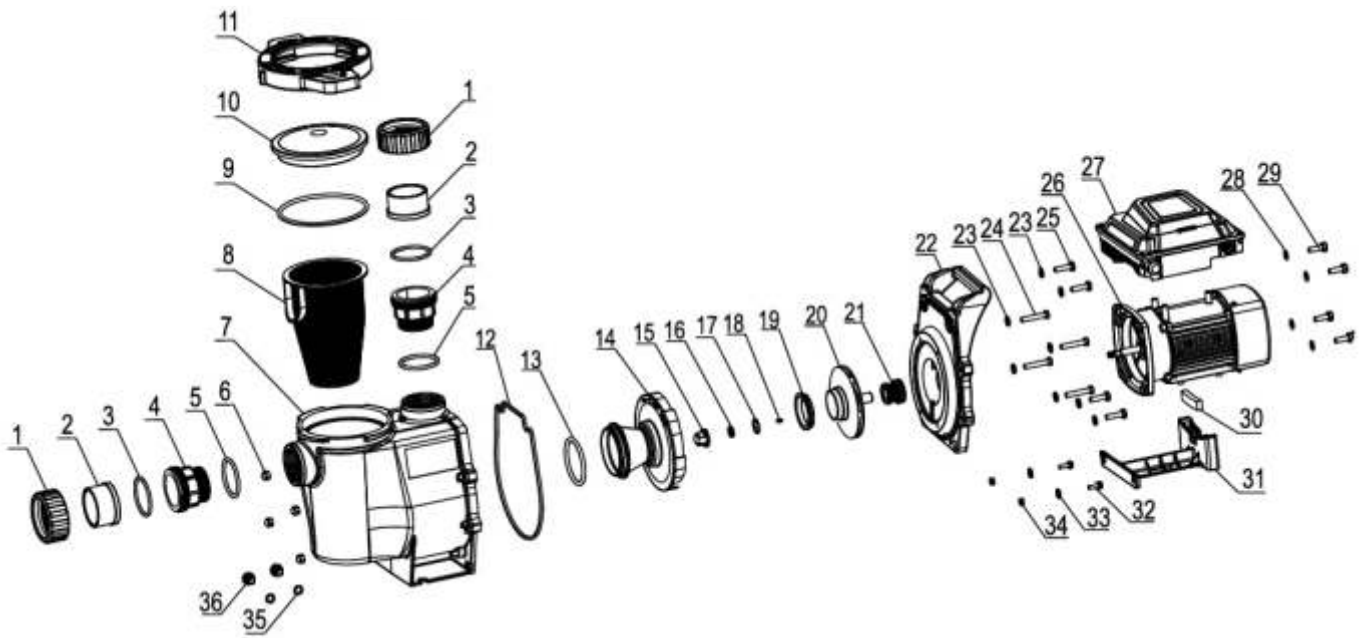
**Stainless Steel Rings on discharge and intake ports**



**Reducer Union**

| Model             | (V) | (Hz)  | (THP) | (Amps) | (WEF) | Hmax (ft) | Qmax (gal/min) | Fitting Size (inches) | G.W (lbs) |
|-------------------|-----|-------|-------|--------|-------|-----------|----------------|-----------------------|-----------|
| Hydraflow 390 VSP | 220 | 50/60 | 3.9   | 13.59  | 7.3   | 88.6      | 171.7          | 2"                    | 52.03     |

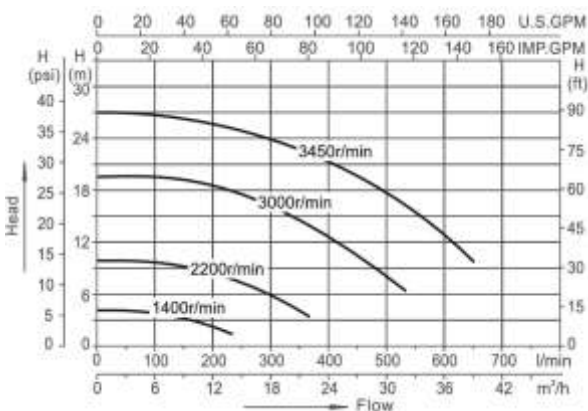
# PUMP REPLACEMENT PARTS



| #  | DESCRIPTION                      |
|----|----------------------------------|
| 1  | Tie-in Nut                       |
| 2  | Tie                              |
| 3  | O´Ring                           |
| 4  | Transition Union                 |
| 5  | O´Ring                           |
| 6  | Acorn nut                        |
| 7  | Pump Casing                      |
| 8  | Filter                           |
| 9  | O´Ring                           |
| 10 | Transparent Cover                |
| 11 | Gland cover of transparent cover |
| 12 | Gasket                           |
| 13 | O´Ring                           |
| 14 | Guide vane assembly              |
| 15 | Impeller nut                     |
| 16 | Spring washer                    |
| 17 | O´Ring                           |
| 18 | Flat key                         |

| #  | DESCRIPTION     |
|----|-----------------|
| 19 | Activities ring |
| 20 | Impeller        |
| 21 | Mechanical seal |
| 22 | Pump Cover      |
| 23 | Washer          |
| 24 | Hexagon screw   |
| 25 | Hexagon screw   |
| 26 | Motor           |
| 27 | Controller      |
| 28 | Washer          |
| 29 | Hexagon Screw   |
| 30 | Plastic Strips  |
| 31 | Base            |
| 32 | Hexagon screw   |
| 33 | Washer          |
| 34 | Hexagon nut     |
| 35 | O´Ring          |
| 36 | Drainage plug   |

## PERFORMANCE CURVE



# NEW!

# SALT CHLORINATOR



## SEASTAR



### Intelligent Control:

You can manage your SEA 20 PRO salt chlorinator by APP TUYA.



### Self-adapting operation:

The salt chlorinator adapts to reduce chlorine output when running on low salt.



### Salt shortage reminder:

It also prompts for the required amount of salt when there is a shortage.



### Self-Cleaning Function:

By reversing the polarity automatically, which prevent calcium from accumulating on the titanium plates. Reversal time 2/4/6/8 hours.



### Chlorine Output Adjustment:

Easily adjust chlorine production based on your needs with a simple button press.



### One-Click BOOST:

Accelerate chlorine production to effectively eliminate microorganisms and break down ammonia, suitable for various situations.



### Power Failure Memory:

Automatically resumes the previous working state when power is restored.



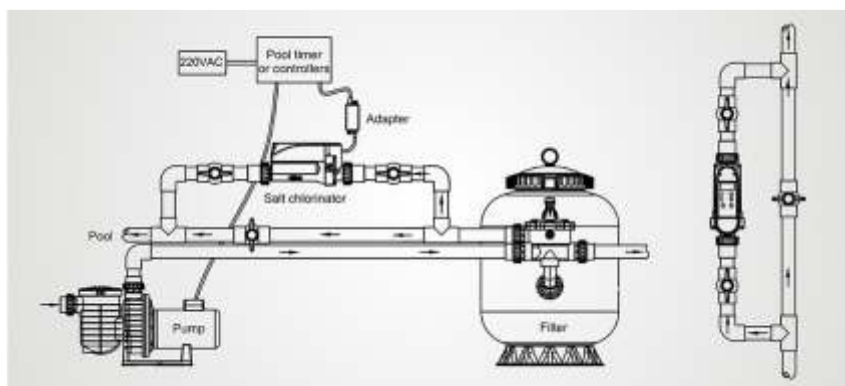
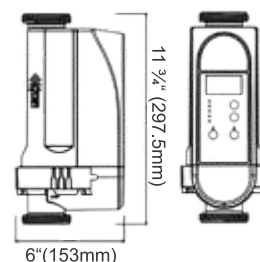
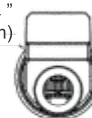
### Safety Mode:

The salt chlorinator automatically shuts down when it detects low water levels to prevent damage to the equipment.

TUYA Smart App



D= 4 3/4" (122mm)



## TECHNICAL DATA

| Model     | Max Chlorine Output | Max Pool Volume | Control Method                             | Recommended Salt Level | Voltage (V)                            | Max Current (A) | Dia. of Water Inlet and Outlet | Product Size (mm)     |
|-----------|---------------------|-----------------|--|------------------------|--|-----------------|--------------------------------|-----------------------|
| EC Pro 20 | 0.7 (Oz/Hr)         | ≤22,500 Gal     | Control panel + display/<br>Smart Life App | 0.47 (Oz/Hr)           | Input:<br>AC100-240V,<br>Output: DC24V | 4 A             | 2"                             | 11 3/4"x4 3/4"<br>x6" |



**SEASTAR<sup>®</sup>**

[www.seastarpoolaccessories.com](http://www.seastarpoolaccessories.com)