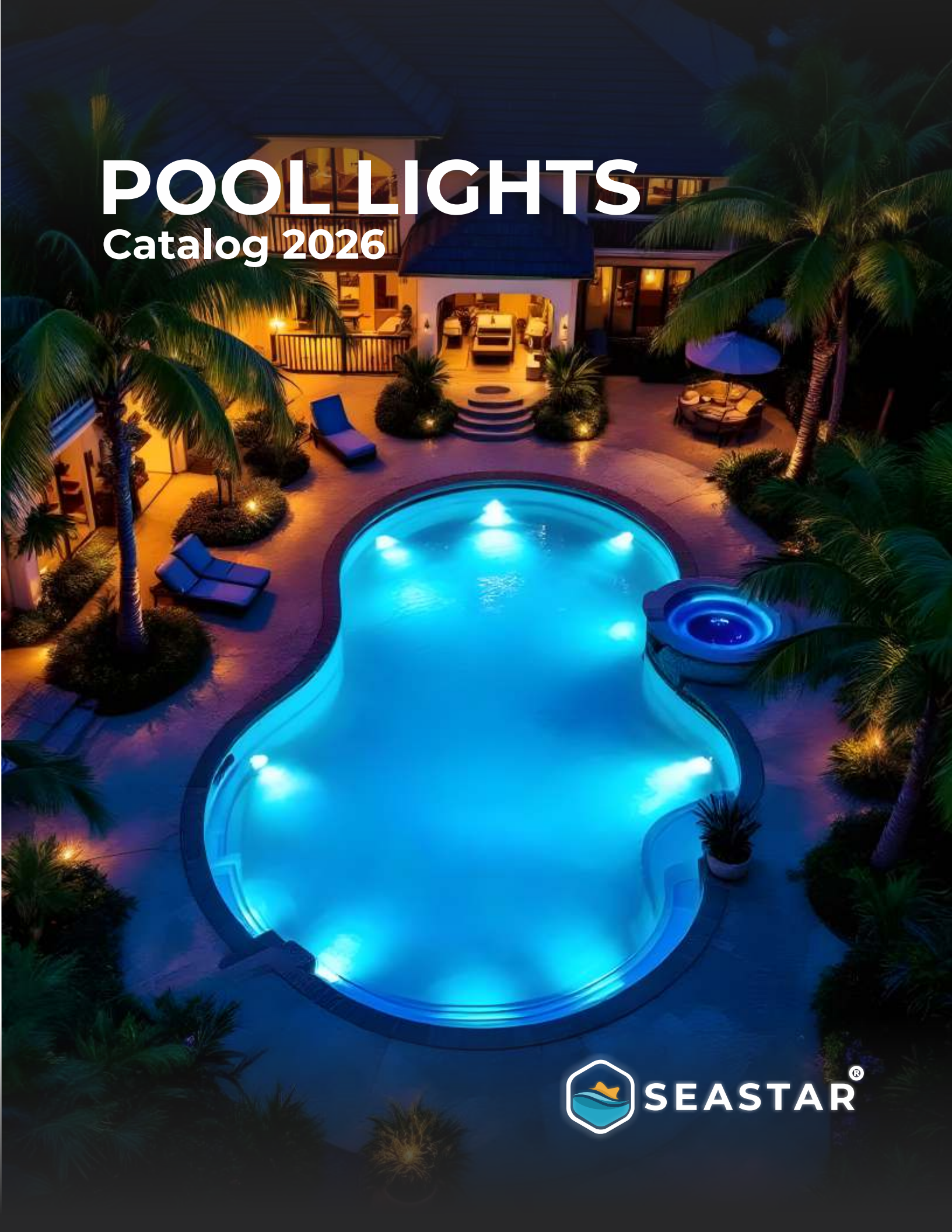


POOL LIGHTS

Catalog 2026

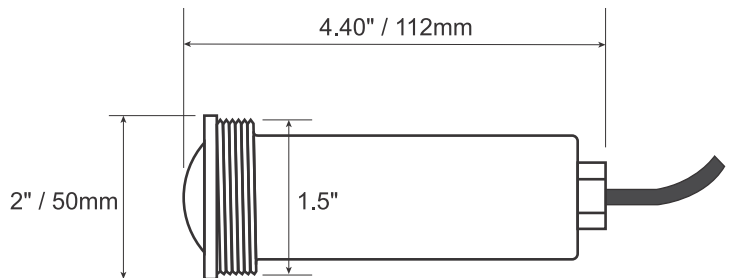


SEA1003-12W

Nicheless Led (1.5" Return outlet)
12 Vac 12W RGB+White



- Completely Sealed IP68/1.5" return outlet
- 12W RGB 700 Im + White 500 Im
- 12 Vac 60Hz
- Easy-installation
- Material: Polycarbonate, epoxy filled.
- Cable length choice: 7ft (2.2 m) standard for cable extension.
- Retail: 30ft, 50ft, 75ft, 150ft
- Professional: cable extension options: 30,50,75,150ft length.
- ON/OFF programing to change color or sequence.



Simple installation

Direct replacement for:

A perfect replacement for the following models:

- Pentair (1) GloBrite shallow water light;
- Hayward (2) ColorLogic 320 led light W3LACUS11050series;
- Jandy Nichless WaterColors (3) led pool light 24W



- (1) Pentair GloBrite is a registered PENTAIR trademark.
(2) Hayward ColorLogic is a registered Hayward Corp trademark.
(3) Jandy WaterColors is a registered Zodiac Pool Systems trademark.
Third party registered and unregistered trademarks and logos are the property of their respective owners.

US Market Cable Lengths Configurations:

OPTIONS:

Professional Market

- Light assembly cable length 7ft (2.2m) with IP68 waterproof, Male connector.
- Extension cable with IP68 waterproof Female connector.
- Options: (30,50,75,100,150 ft)

Retail Market

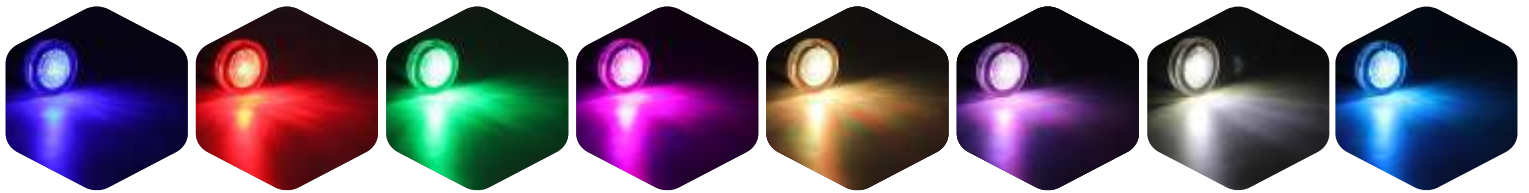
- Light assembly with 30,50,75,100 or 150 ft cable length.





SEASTAR

SEA1003-12W Programable colors RGB+W



INSTALLATION

Screw in the lights on the return outlet with the provided tool.

STEP 1



STEP 2



STEP 3



STEP 4





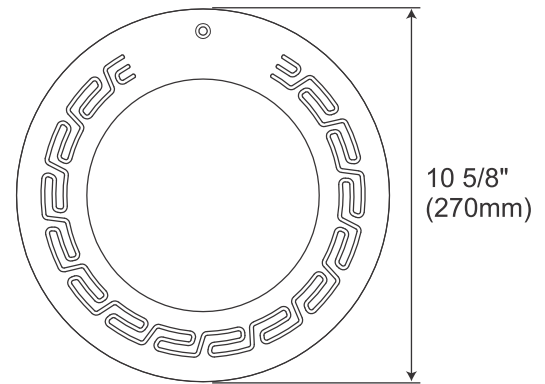
SEASTAR

SEA4011-18W

Full Size Pool Lighting Replacement

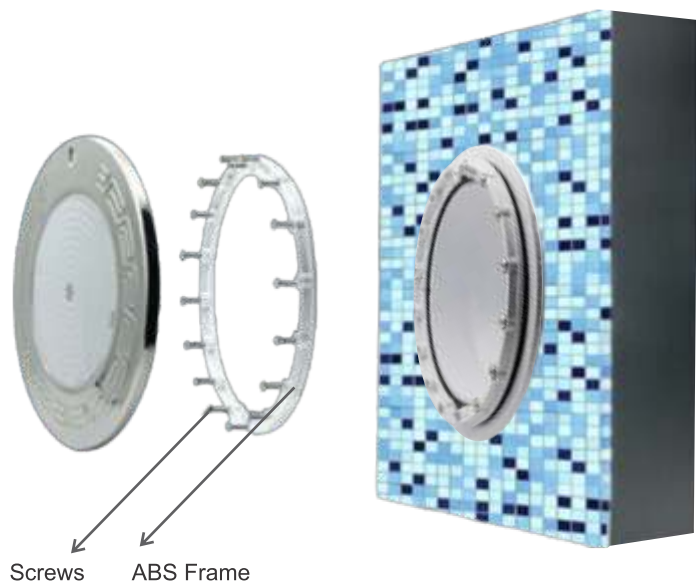
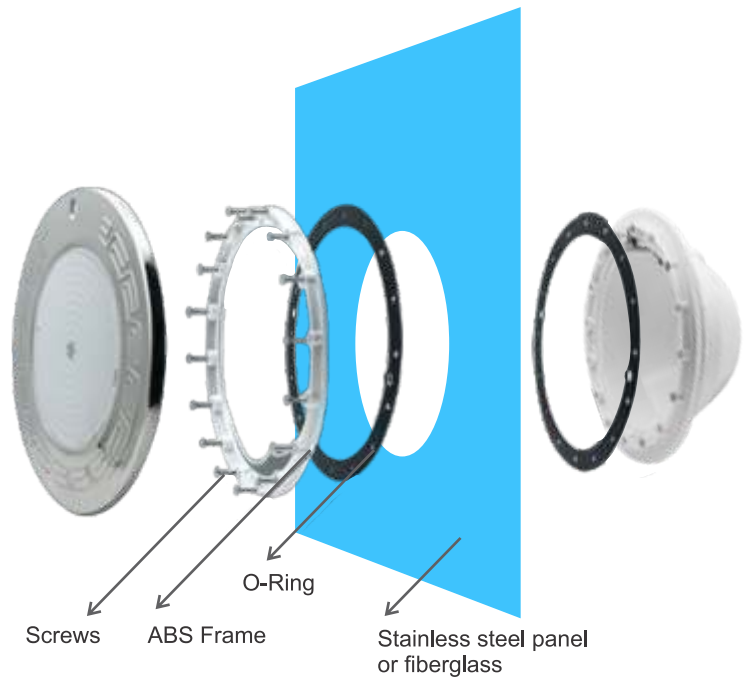


- Stainless Steel S316L
- 900lm
- IP68 Fully Epoxy Resin-filled
- Optional Niche
- Premium Quality
- 12Vca 18W RGBW LEDs
- ON/OFF programing to change color or sequence.



SEA4011-18W Installation Options

Concrete / Fiberglass / Liner Pool





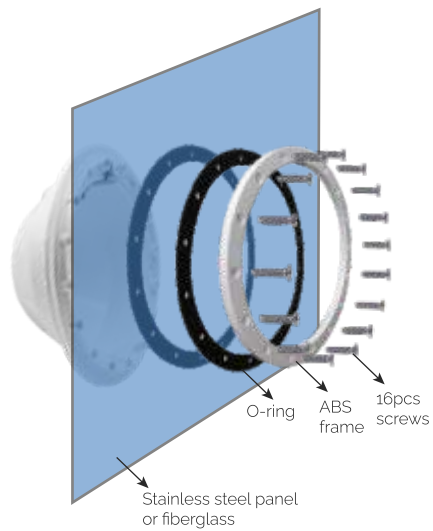
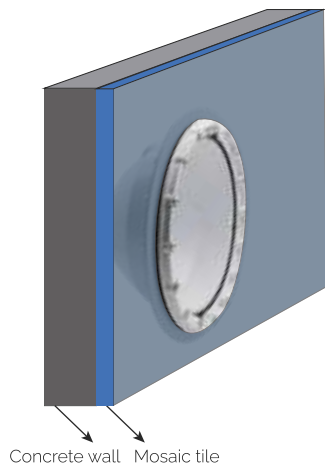
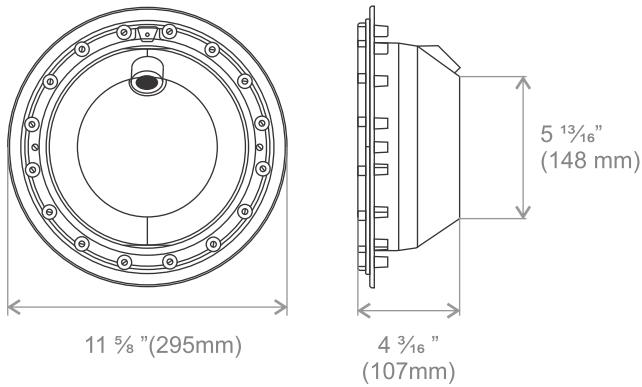
Niche for SEA4011

SEA1005C

SEA1005F



For 10" light model SEA4011

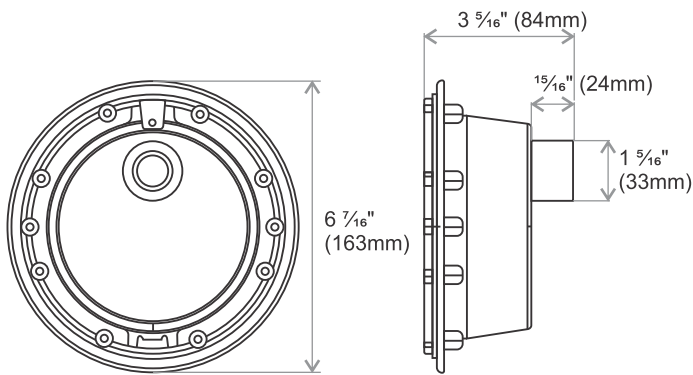




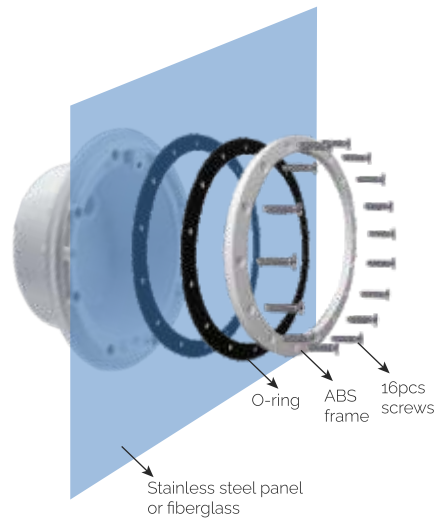
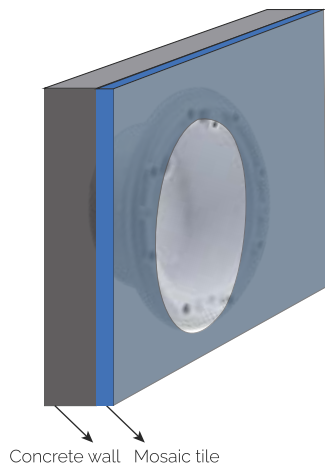
Niche for SEA4012

SEA1006C

SEA1006V



For 6" light model SEA4012

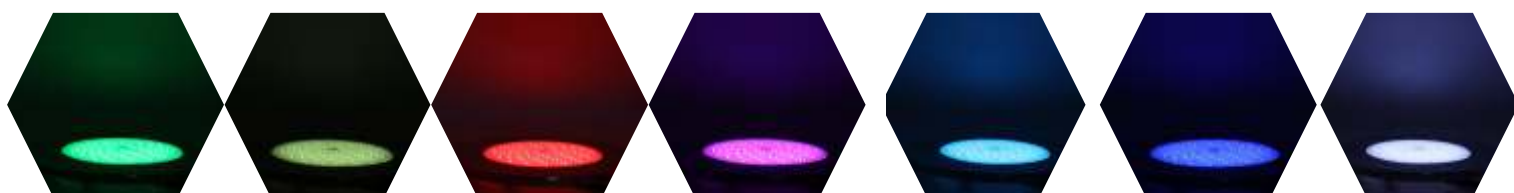










SEASTAR

SEA4011-18W

High Efficiency Led Pool light replacement



SEA4011-18W Replaces:

Compatible with below brands pool lighting Reference Picture	Series	Part N°
 (1) 	Amerlite series IntelliBrite series	6000xx, 6001xx, 6002xx,601xxx, 783xxx, 788xx, 789xx
 (2) 	ColorLogic series	W3SP05xxS
 (3) 	WaterColors series replacement	CPHVRxx, CPLVRxx, IWCPxx, IWCSxx, IWCLCxx, WPHVxx, WWPHVxx, WPLVxx, WWPLVxx

(1) Pentair GloBrite is a registered PENTAIR trademark.

(2) Hayward ColorLogic is a registered Hayward Corp trademark.

(3) Jandy WaterColors is a registered Zodiac Pool Systems trademark.

Third party registered and unregistered trademarks and logos are the property of their respective owners.



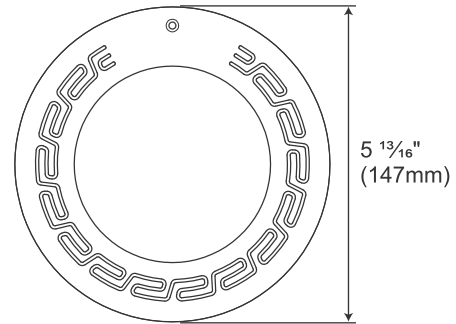
SEASTAR

SEA4012-10W

(Spa / Hot tub / Shallow end / Stairs)



- SS316L 6" Niche Light
- 500lm
- RGBW



6 Inchs lights suit for Pentair, Hayward and Jandy niches.



Pentair

Hayward

Jandy

Concrete Pools



Accessories





SEASTAR

SEA1103-25W 12Vac

- 1350lm
- RGBW
- 108 LEDs SMD5050
- ABS body + Polycarbonate Lens



Cool white

Warm white

RGB

-001



For Concrete Pool

-002



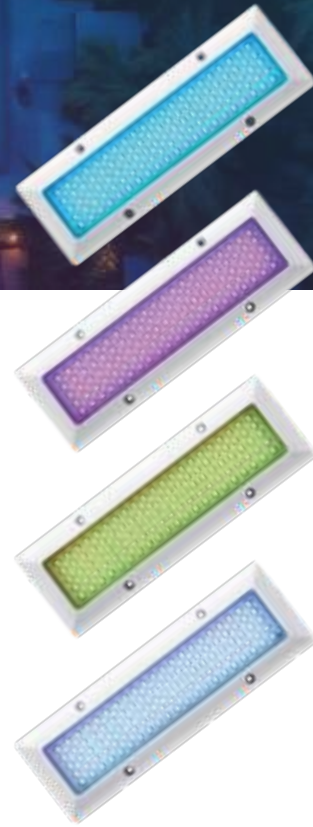
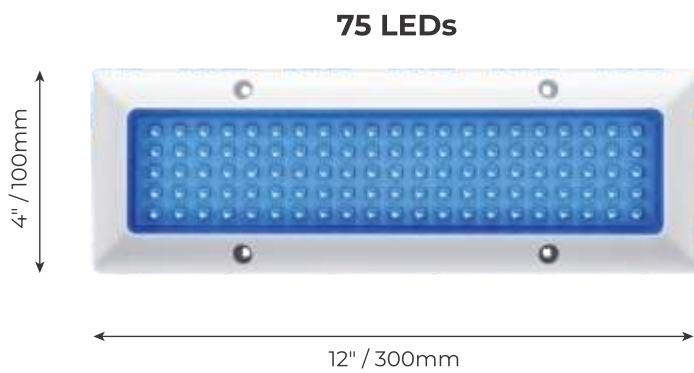
For Liner Pool
For Fiberglass Pool



SEASTAR

SEA3010-15W

Rectangular Pool light, ABS Frame



Features

- 800lm
- RGBW
- 75 LEDs SMD5054
- Rectangular shape.
- ON/OFF Programming
- Epoxy resin filled, IP68

Fiberglass Pool



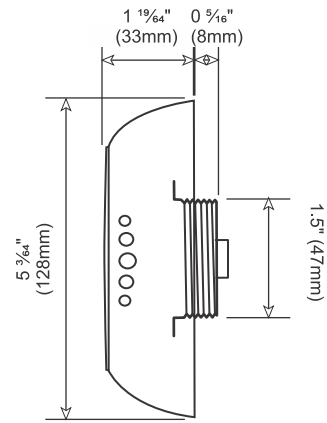
Concrete Pool



NEW!

SEA2007-10W

ABS Frame, for 1.5 inch outlet

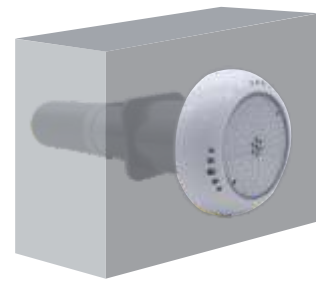


- AC12V. 10W
- RGBW
- 500lm



Liner / Fiberglass Pool

Concrete Pool





SEASTAR

TRANSFORMER

120 / 12vCA

CODE	POWER	DESCRIPTION
T3000-60W-US	50W	Waterproof IP68 with American plug Input Vol.:AC 120V Output Vol.: AC12V

American Standard

UL Listed



LIGHT CONTROLLER

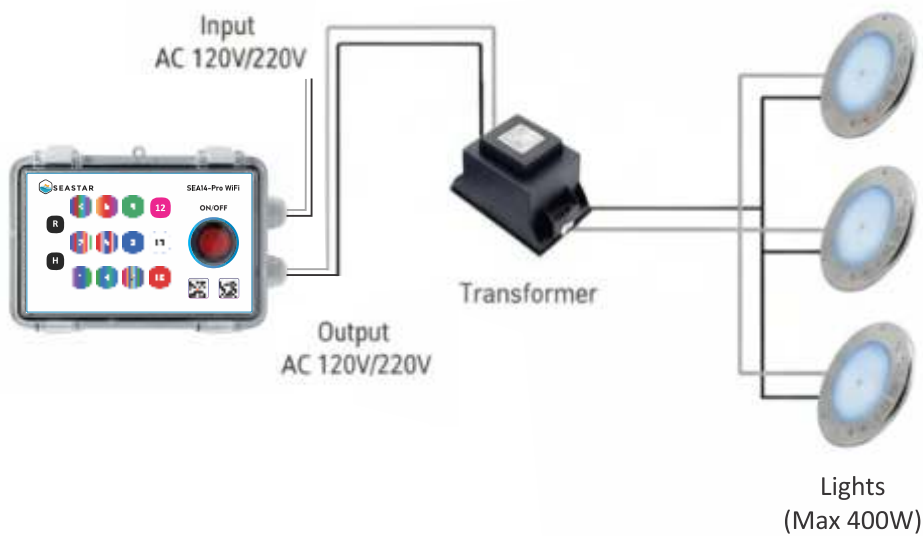
SEA14-PRO WiFi

Specifications

- Size: 6 ½"(165mm)X 4 ⅝"(110mm) X 2 ⅞" (73mm)
- Input: AC 120V
- Output: AC 120V
- Max Power: 400W



Tuya Smart App



LIGHT CONTROLLER

SEA006 Remote

- Size: 5 29/32" (150 mm) x 4 9/64" (105 mm) x 70 (2 3/4")
- Up to 6 lights to a max 120W total.
- All lights operate in perfect synchronization.
- 15 color modes to suit personal preferences.
- The handheld remote control operates at a max distance of 30 meters from light controller.
- You can change the lamp colors using the main power switch or the remote control.



How to connect de lamps with the CB Box?

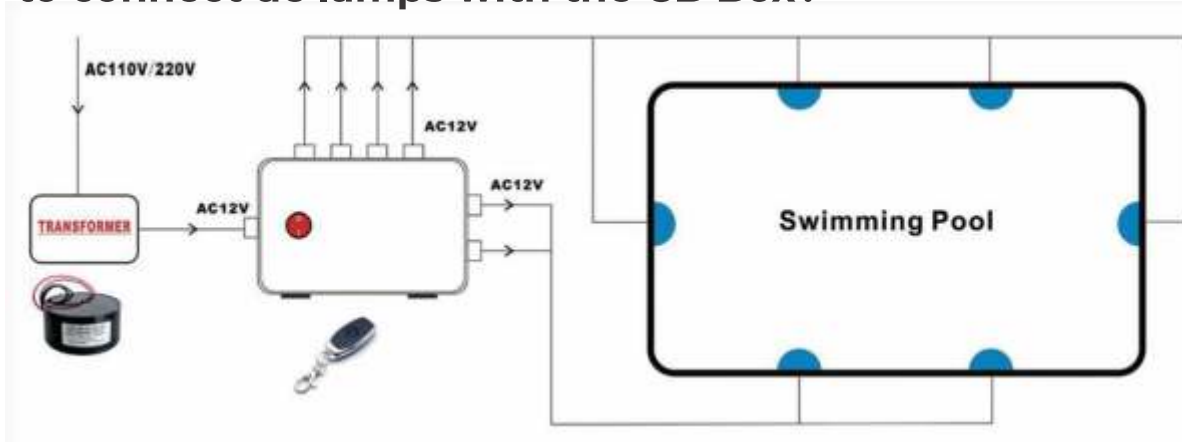
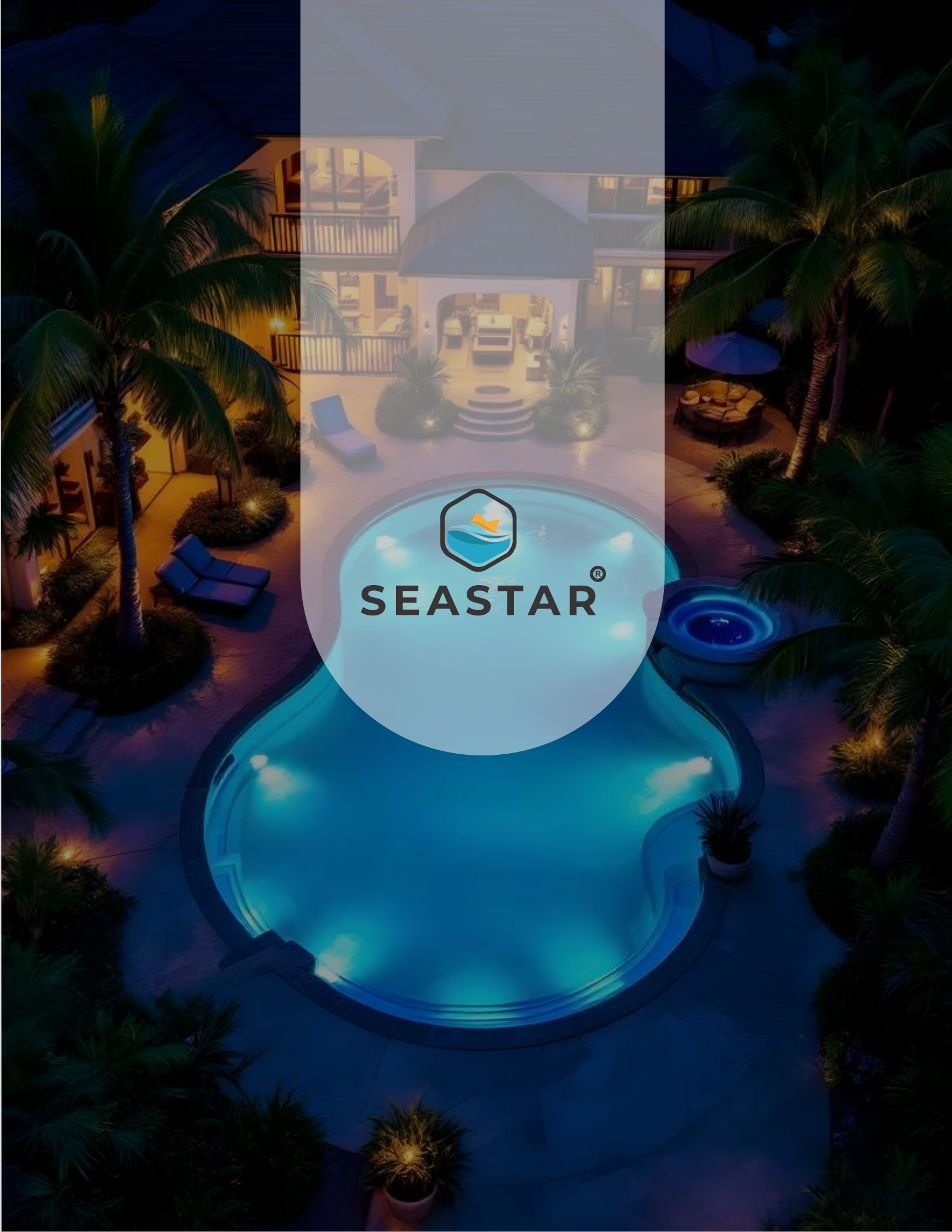


PHOTO	CODE	INPUT	POWER	POSITION	CONNECT LAMP QTY	
	CB006	AC12V	120W	After the Transformer	RGB 12W	6pcs
					RGB 18W	5pcs
					RGB 25W	4pcs
					RGB 32W	3pcs
					RGB 40W	2pcs



SEASTAR[®]