

SCALE: 1" = 40'

DRAINAGE AREA DESIGNATION	AREA (AC.)
A1	0.29
A2	0.10
A3	0.69
A4	2.13
A5	0.73
A6	0.44

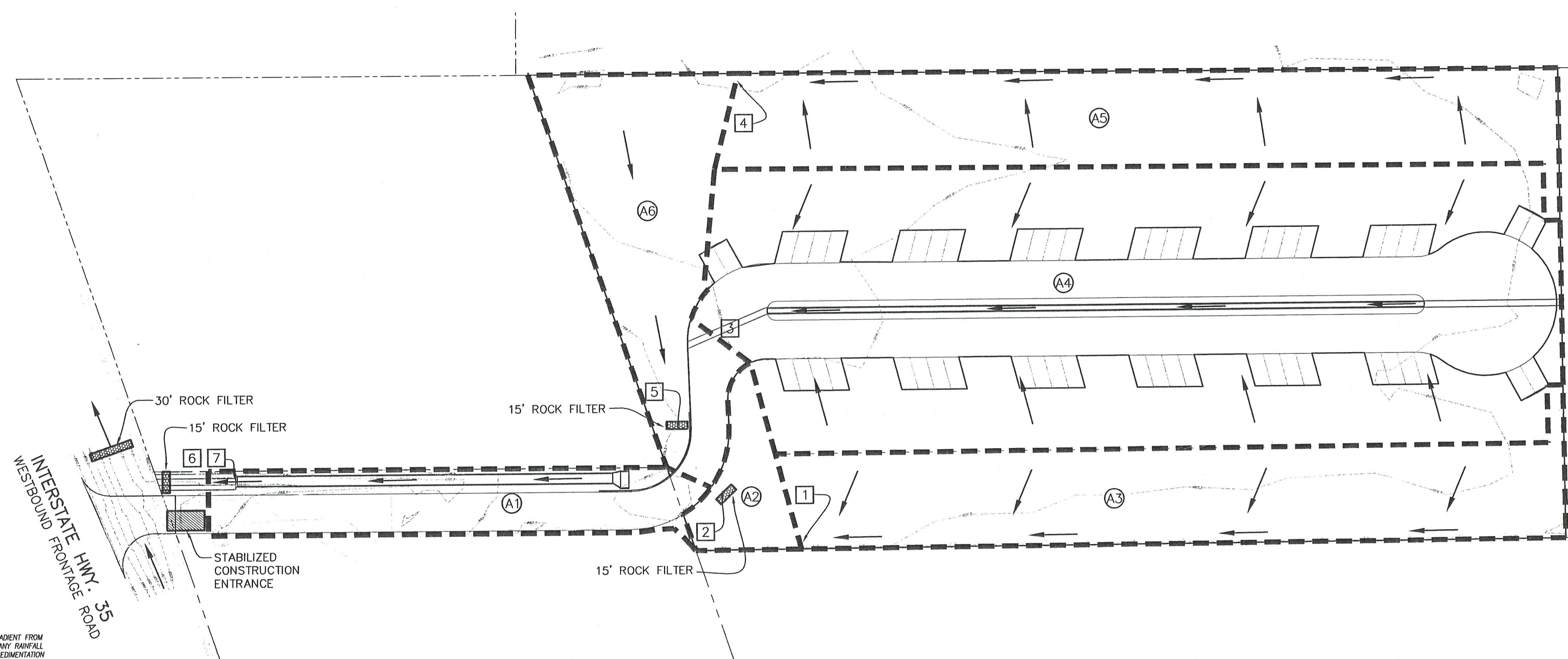
A. NODE POINT SUMMARIES

- 1 PEAK RUNOFF RATE USED FOR SIZING CHANNEL ALONG NORTHERN PROPERTY LINE
- 2 PEAK RUNOFF RATE USED FOR SIZING CULVERT TO DRAIN NORTH HALF OF POND
- 3 PEAK RUNOFF RATE USED FOR SIZING SWALE IN CENTER ISLAND OF ROAD
- 4 PEAK RUNOFF RATE USED FOR SIZING CHANNEL ALONG SOUTHERN PROPERTY LINE
- 5 PEAK RUNOFF RATE USED FOR PIPE TO DRAIN SOUTH HALF OF POND
- 6 PEAK RUNOFF RATE FOR PRE-DEVELOPED CONDITIONS FOR THE DETENTION POND
- 7 PEAK RUNOFF RATE FOR POST-DEVELOPED CONDITIONS FOR THE DETENTION POND

HYDROLOGIC CALCULATIONS
RATIONAL METHOD: Q=CIA

DRAINAGE NODE POINT	CONTRIBUTING DRAINAGE AREAS	TOTAL AREA (ACRES)	C ₁₀	C ₁₀₀	TIME OF CONCENTRATION (min.)	I ₁₀ (in/hr.)	I ₁₀₀ (in/hr.)	Q ₁₀ (cfs)	Q ₁₀₀ (cfs)
1	A3	0.69	0.54	0.66	10	7.57	11.90	2.82	5.42
2	A3+A2	0.79	0.54	0.66	10	7.57	11.90	3.23	6.20
3	A4	2.13	0.54	0.66	10	7.57	11.90	8.71	16.73
4	A5	0.73	0.54	0.66	10	7.57	11.90	2.98	5.73
5	A4+A5+A6	3.30	0.54	0.66	12	7.00	10.98	12.47	21.74
6	(A1+A2+A3+A4+A5+A6)PRE	4.38	0.30	0.41	24	4.92	7.70	6.46	13.83
7	(A1+A2+A3+A4+A5+A6)POST	4.38	0.54	0.66	13	6.75	10.58	15.79	30.58

POND RELEASE
Q₁₀= 6.4 cfs
Q₁₀₀= 10.55 cfs



EROSION / SEDIMENTATION CONTROL

EROSION / SEDIMENTATION CONTROLS SHALL CONSIST OF ROCK FILTERS CONSTRUCTED DOWN GRADIENT FROM THE CONSTRUCTION AREAS. THE ROCK FILTERS SHALL BE INSTALLED IN A MANNER SUCH THAT ANY RAINFALL RUNOFF SHALL BE FILTERED. HAY BALES SHALL NOT BE USED FOR TEMPORARY EROSION AND SEDIMENTATION CONTROLS.

ALL TEMPORARY EROSION AND SEDIMENTATION CONTROLS MUST BE INSTALLED PRIOR TO CONSTRUCTION AND SHALL BE MAINTAINED DURING CONSTRUCTION BY THE CONTRACTOR. THE CONTROLS SHALL BE REMOVED BY THE CONTRACTOR WHEN VEGETATION IS ESTABLISHED AND THE CONSTRUCTION AREA IS STABILIZED (31 TAC 31.5 (c)(12)). ADDITIONAL PROTECTION MAY BE REQUIRED IF EXCESSIVE SOLIDS ARE BEING DISCHARGED FROM THE SITE.

PLACEMENT OF TEMPORARY EROSION AND SEDIMENTATION CONTROLS SHALL BE IN ACCORDANCE WITH THE CONSTRUCTION PLANS. ACTUAL LOCATIONS MAY VARY SLIGHTLY FROM THE PLANS, BUT WILL BE VERIFIED BY THE ENGINEER/INSPECTOR IN THE FIELD PRIOR TO CONSTRUCTION. THE CONTRACTOR SHALL INSPECT THE CONTROLS AT WEEKLY INTERVALS AND AFTER EVERY SIGNIFICANT RAINFALL TO INSURE DISTURBANCE OF THE STRUCTURES HAS NOT OCCURRED. SEDIMENT DEPOSITED AFTER A RAINFALL SHALL BE REMOVED FROM THE SITE OR PLACED IN AN ENGINEER APPROVED DESIGNATED DISPOSAL AREA.

ALL EROSION CONTROL MEASURES SHALL BE IN PLACE AND FUNCTIONING PRIOR TO CONSTRUCTION.

NOTES:

1. TEMPORARY EROSION CONTROL MEASURES SHALL BE RESPONSIBILITY OF THE CONTRACTOR IN ACCORDANCE WITH THIS EROSION CONTROL PLAN AND FINAL EROSION CONTROL MEASURES WILL BE INSTALLED BY THE OWNER.
2. THIS EROSION CONTROL PLAN SHALL BE INCLUDED IN THE STORM WATER POLLUTION PREVENTION PLAN BEING PREPARED BY COMPLIANCE RESOURCES INC. (CRI), CONTACT: SUSAN TYLER ☎ (512) 930-7733 FOR STORMWATER POLLUTION PREVENTION PLAN INFORMATION.

CONSTRUCTION SEQUENCING:

1. PLACE ALL EROSION AND SEDIMENTATION CONTROLS PER THE FOLLOWING EROSION AND SEDIMENTATION CONTROL SCHEDULE AND THE STORM WATER POLLUTION PREVENTION PLAN (PER CRI)
2. CONSTRUCT COMPLETE DETENTION POND STORAGE AREAS.
3. CONSTRUCT CHANNELS AND CULVERTS.
4. CONSTRUCT UTILITY AND ROADWAY ITEMS.

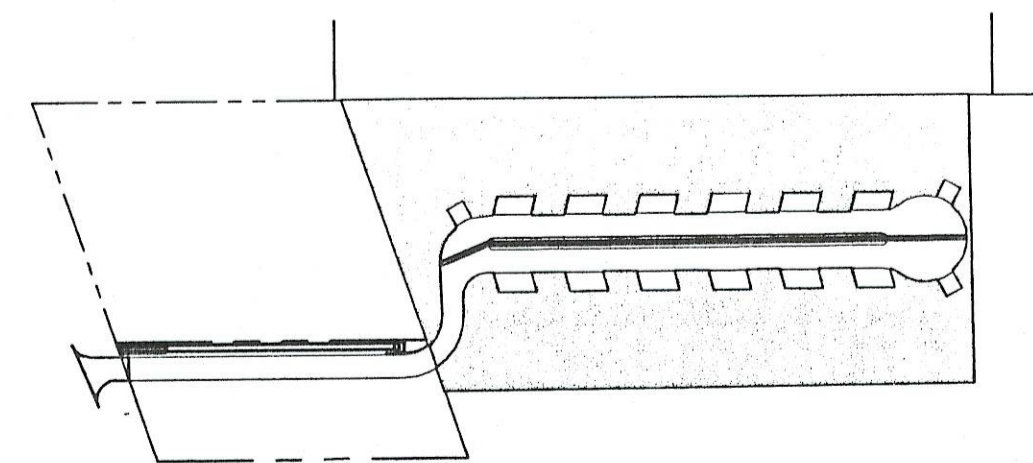
EROSION AND SEDIMENTATION CONTROL SCHEDULE:

PRIOR TO CONSTRUCTION
INSTALL CONSTRUCTION ENTRANCE/EXIT AND 2 ROCK FILTERS NEAR ENTRANCE.

DURING CONSTRUCTION
WITHIN 24-HOURS AFTER FINAL CHANNEL EXCAVATION AND CULVERT PLACEMENT, PLACE REMAINING ROCK FILTERS.

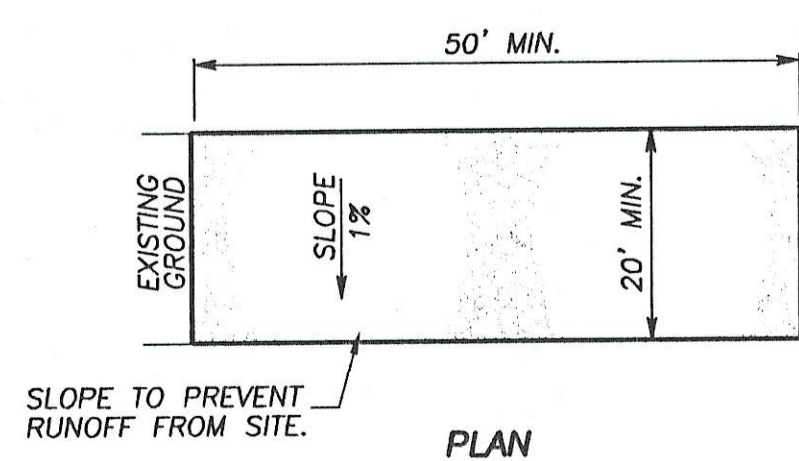
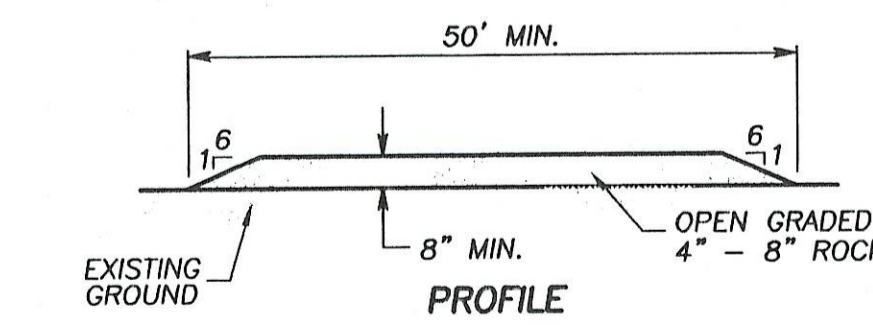
FINAL EROSION/SEDIMENTATION CONTROL
ALL EXPOSED SURFACES SHOWN IN THE SEEDING DETAIL SHALL BE SEEDDED/HYDROMULCHED AS DESCRIBED.

(NOTE: ALL TCEQ PERMITTING AND THE STORM WATER POLLUTION PREVENTION PLAN WAS PREPARED FOR THE OWNER BY COMPLIANCE RESOURCES INC. (CRI), CONTACT: SUSAN TYLER ☎ (512) 930-7733

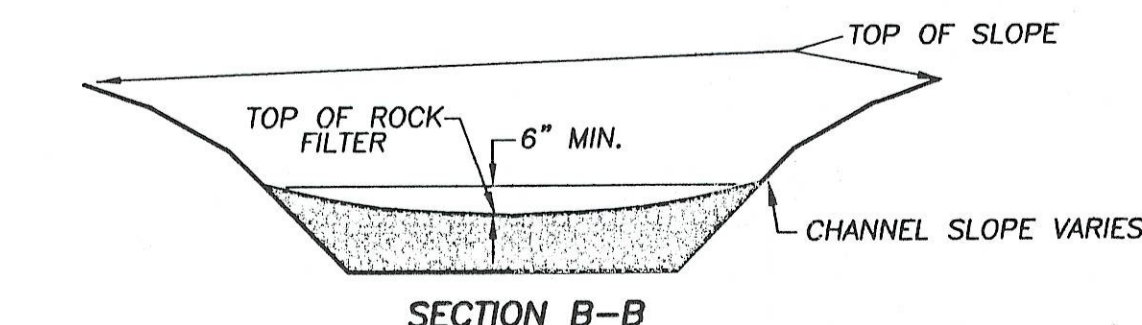
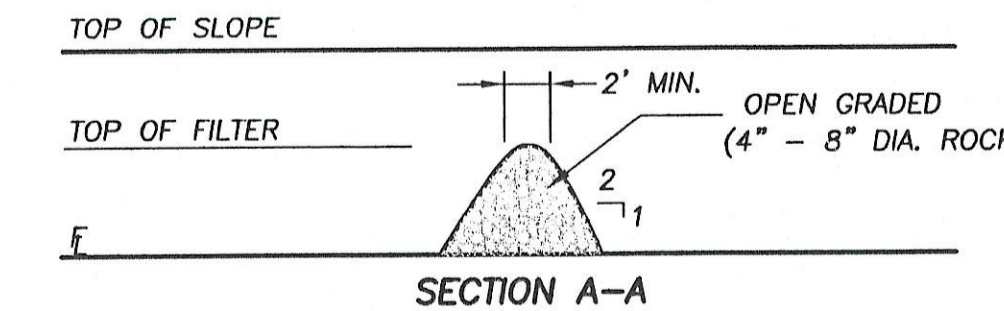
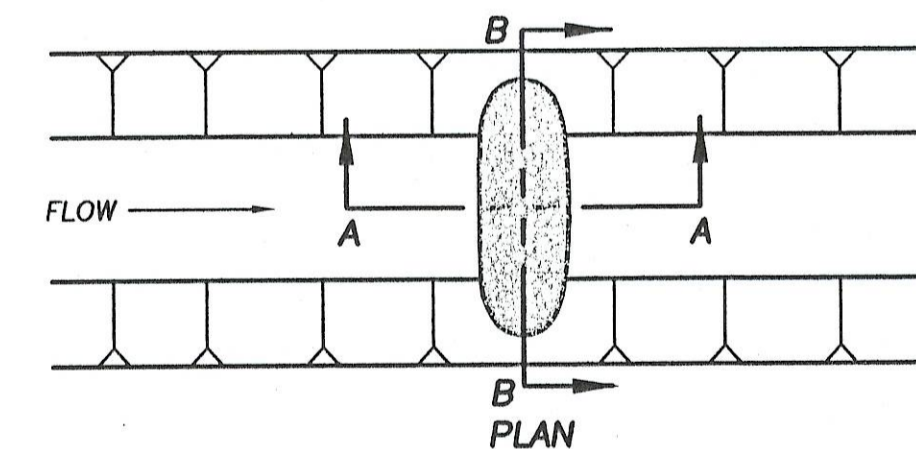


APPROX. ESTIMATE 14,620 SY

SEEDING DETAIL
N.T.S.



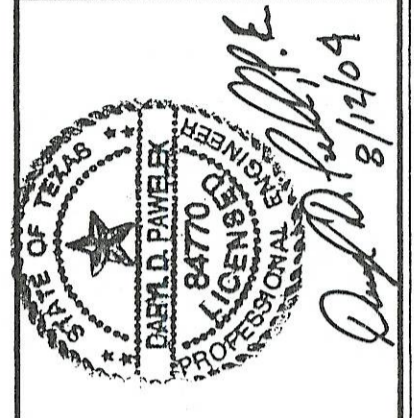
STABILIZED CONSTR. ENTRANCE
N.T.S.



ROCK FILTER
N.T.S.

LEGEND

- 25' x 50' STABILIZED CONSTRUCTION ENTRANCE
- EXISTING CONTOUR
- ROCK FILTER
- DRAINAGE AREA DESIGNATION
- DRAINAGE NODE POINT
- DRAINAGE AREA
- DRAINAGE FLOW DIRECTION



DRAINAGE AREA MAP AND EROSION CONTROL PLAN
WAYSIDE MOBILE HOME PARK
 NEW BRAUNFELS, TEXAS

THE Schultz Group, INC.
 CONSULTING ENGINEERS & LAND SURVEYORS
 2461 LOOP 337 NEW BRAUNFELS, TEXAS 78130
 PHONE (830) 606-3913 FAX (830) 625-2204

DRAWN BY: RTS
 CHECKED BY: DDP
 DATE: JUNE 2004
 JOB NO.: 010304
 C2