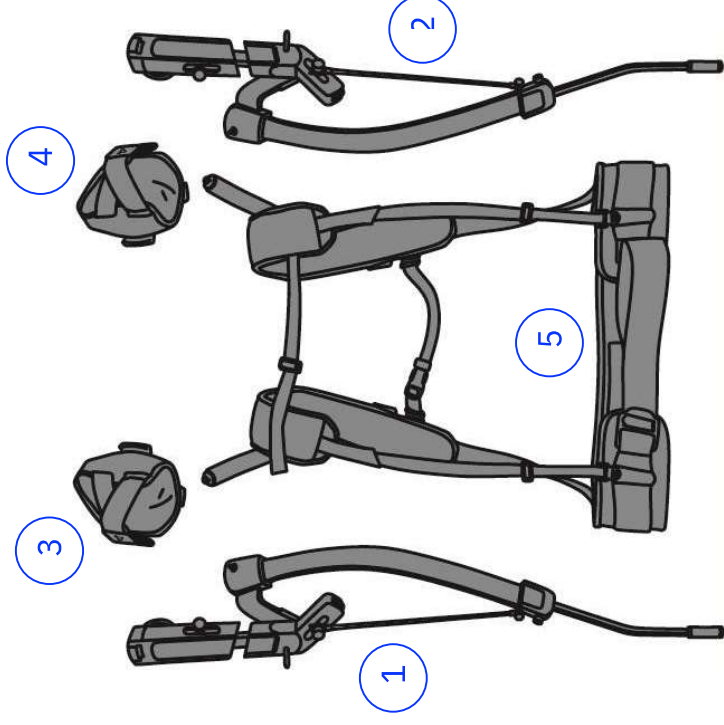




Skelex 360 : Overview

1. Modular with possibility to use only one arm
2. Force adjustable while wearing without external tools
3. Easily adjustable to fit different sizes
4. Textiles and mechanical components are separate
5. Textiles washable in regular washing machines
6. Personal customized harness available upon request
7. No contact on the back to avoid heat and sweating
8. Visual cues to make it easy to use and adjust
9. Can be worn in < 20 seconds and taken off in < 10 seconds
10. Compatible to be used with Skelex Neck Supports



1. Left FlexFrame
2. Right FlexFrame
3. Left Arm Cup
4. Right Arm Cup
5. Personal Harness